



SERIES BG525, BG600, BT525, AND BT600

BG AND BT WINDOW WALL SYSTEMS

NOTE

THE INSTALLATION DETAILS FOUND IN THIS PACKAGE ARE GENERIC AND ARE FOR REPRESENTATION ONLY WITH THE INTENT OF GIVING THE INSTALLATION TEAM A VISUAL REPRESENTATION AS TO HOW THE ASSEMBLIES TYPICALLY INSTALL. THE SHOP SUBMISSION DRAWINGS AND DETAILS ARE THE GOVERNING DOCUMENTS AND AS SUCH THIS PACKAGE IS TO BE USED ONLY AS A RESOURCE

FOLLOW SEALANT MANUFACTURERS' RECOMMENDATIONS FOR USE AND APPLICATION OF ALL STRUCTURAL SILICONE SEALANT AND WEATHER SEAL SILICONE SEALANT.

CUSTOMER/PROJECT QUALITY ASSURANCE PROCEDURES ARE SEPARATE DOCUMENTS AND ARE TO BE FOLLOWED IN CONJUNCTION WITH THIS MANUAL.

11M0217_

HANDLING, STORAGE, AND PROTECTION OF ALUMINUM

The following precautions are recommended to protect the material against damage. Following these precautions will help ensure early acceptance of your products and workmanship.

A. HANDLE CAREFULLY.

All aluminum materials at job site must be stored in a safe place, well removed from possible damage by other trades. Cardboard wrapped or paper interleaved materials must be kept dry.

B. CHECK ARRIVING MATERIALS.

Check for quantity counts and keep records of where various materials are stored.

C. KEEP MATERIALS AWAY FROM WATER, MUD, AND SPRAY.

Prevent cement, plaster, or other materials from damaging the finish.

D. PROTECT THE MATERIALS AFTER ERECTION.

Protect erected frame with polyethylene or canvas splatter screen. Cement, plaster, terrazzo, other alkaline solutions, and acid based materials used to clean masonry are harmful to the finish. **If any of these materials come in contact with the aluminum, immediately remove with water and mild soap.**

The rapidly changing technology within the architectural aluminum products industry demands that C.R. Laurence/U.S. Aluminum reserve the right to revise, discontinue, or change any product line, specification, or electronic media without prior written notice.

NOTE: Dimensions in parentheses () are millimeters unless otherwise noted.

GENERAL INSTALLATION NOTES

Recommended guidelines for all installations:

1. **REVIEW CONTRACT DOCUMENTS.** Check shop drawings, installation instructions, architectural drawings and shipping lists to become thoroughly familiar with the project. The shop drawings take precedence and include specific details for the project. Note any field verified notes on the shop drawings prior to installing. The installation instructions are of a general nature and cover most conditions.
2. **INSTALLATION.** All materials are to be installed plumb, level, and true.
3. **INSTALLER QUALIFICATION.** These **Series BG and BT** window wall systems are intended for fabrication, assembly, sealing, installation and glazing by professionals with appropriate knowledge and experience of the system(s) and their incorporation into various building conditions.
4. **BENCH MARKS.** All work should start from bench marks and/or column lines as established by the architectural drawings and the general contractor with guaranteed accuracy. Working from these datum points and lines determine:
 - a) The plane of the wall in reference to offset lines provided on each floor.
 - b) The finish floor lines in reference to bench marks on the outer building columns.
 - c) Mullion spacing from both ends of masonry opening to prevent dimensional build-up of daylight opening.
5. **FIELD WELDING.** All field welding must be adequately shielded to avoid any splatter on glass or aluminum. Results will be unsightly and/or structurally unsound. Advise general contractor and other trades accordingly. All field welds of steel anchors must receive touch-up paint (zinc chromate) to avoid rust.
6. **SURROUNDING CONDITIONS.** Make certain that construction which will receive your materials is in accordance with the contract documents. If not, notify the general contractor in writing and resolve differences before proceeding with work.
7. **ISOLATION OF ALUMINUM.** Aluminum to be placed in direct contact with uncured masonry or incompatible materials should be isolated with a heavy coat of bituminous paint. For steel reinforcement primer, use manufacturer's standard corrosion resistant primer, meeting or exceeding Sherwin Williams Kem Kromik® and ASTM D5894, 1008 Corrosion Resistance.
8. **SEALANTS.** The fabrication and installation of a structural silicone-glazed (SSG) or wet glazed system requires more technical knowledge and experience than is required for a conventional pressure-glazed or dry glazed system. The glazing contractor should take all steps as outlined and required by the structural silicone sealant manufacturer, glass fabricator, framing manufacturer, and the project professional engineer of record as well as follow local building code requirements and industry best practices to ensure the proper installation and safe performance of the SSG system.

The glazing contractor for each project needs to ensure compliance with each step, including, but not limited to, design reviews, formal adhesion testing, formal compatibility testing, project specification compliance, validating procedures, field testing, and quality control validation of installed product and surrounding conditions.

Testing of component materials for use in a SSG or wet glazed system is mandatory to fulfill project specifications and warranty requirements and must be submitted by the glazing contractor to the structural silicone manufacturer. All materials that comprise the structural silicone joint, such as the framing system (with the job-specific finish) and job-specific glass must be tested by the structural silicone manufacturer for compatibility and adhesion. All other accessory materials in contact with the structural silicone, such as setting blocks, spacers, gaskets, sweeps, air seals and expansion joints, must also be submitted to the silicone sealant manufacturer for compatibility testing.

To ensure that nothing has changed in formulation or chemistry since the initial tests, subsequent testing during periodic time frames of the project is to be conducted to confirm continued acceptance of the material for use on the project.

To ensure the structural performance and integrity of the insulating glass unit (IGU), the glazing contractor must submit the project shop drawings to the glass fabricator to obtain approval for use of their product(s) in any 2, 3 or 4-sided SSG applications.

Quality control procedures for field glazing are to be increased beyond those required for shop glazing. Job conditions will normally have dust, dirt, and other construction debris on the surfaces where structural silicone is to be applied. Great care should be exercised in cleaning and preparing these surfaces for silicone application. The recommendations of the silicone sealant manufacturer are to be strictly enforced and followed. The fabrication and installation of the SSG system and its components, whether shop or field glazed, should be governed by a quality control program, and all steps, procedures, and test reports should be documented throughout the project.

SERIES BG525, BG600, BT525, AND BT600

Prior to installation of any SSG system, refer to industry documents (e.g., AAMA Curtain Wall Design Guide Manual, ASTM C1401-14, and AAMA SSGDG-17) for detailed instructions and recommendations.

THE GLAZING CONTRACTOR ASSUMES FULL RESPONSIBILITY FOR ENSURING COMPLIANCE WITH THE ABOVE, AND ASSUMES FULL LIABILITY FOR ANY ISSUES ARISING FROM NONCOMPLIANCE.

9. **FASTENING.** Within the body of these instructions "fastening" means any method of securing one part to another or to adjacent materials. Only those fasteners used within the system are specified in these instructions. Due to the varying perimeter conditions and performance requirements, perimeter and anchor fasteners are not specified in these instructions. For perimeter and anchor fasteners refer to the shop drawings or consult the fastener supplier.
10. **BUILDING CODES.** Due to the diversity in state/provincial, local, and federal laws and codes that govern the design and application of architectural products, it is the responsibility of the individual architect, owner, and installer to assure that products selected for use on projects comply with all the applicable building codes and laws. U. S. Aluminum exercises no control over the use or application of its products, glazing materials, and operating hardware, and assumes no responsibility thereof.
11. **EXPANSION JOINTS.** Expansion joints and perimeter seals shown in these instructions and in the shop drawings are shown at normal size. Actual dimensions may vary due to perimeter conditions and/or difference in metal temperature between the time of fabrication and the time of installation. Gaps between expansion members should be based on temperature at time of installation.
12. **GLAZING PRACTICES.** The air and water performance of the **Series BG and BT** window wall systems is directly related to the completeness and integrity of the installation process, including but not limited to the assembly seals of the framing joinery, the installed glazing gaskets, and the alignment of the framing joinery glazing plane. Before glazing, verify the glazing pocket width and glazing infill thickness, as both must be in tolerance to assure adequate edge pressure and to achieve the desired air and water performance levels. (In general, framing systems utilizing 1" insulating glass are designed to accommodate a thickness variance of +/- 1/32"). Note: Excessive pressure can cause glass breakage and/or IGU failure. Consult the glass manufacturer for their recommended edge pressure per lineal inch.

To achieve the designed and tested air and water performance, best practices include:

- Glazing gaskets should be cut 1/4" longer per foot, and lay flat, preferably for 24 hours
- Gaskets should be cut as single monolithic pieces and "crowded" during their installation to avoid corner gaps caused by post-installation relaxation
- The interior glazing gasket should be installed so as to avoid stretching, buckles, or tears
- Corners must be cut square, and at a slight angle when required to conform to the bevel on the intersecting gasket; sealed and butted together.
- Gasket corner joinery must also be crowded, and sealant applied onto the gasket contact frame surface and into gasket reglet raceway where applicable.
- Gasket corner seals are to be done just prior to installing glass, while the sealant is still wet and uncured, and ensure exterior gaskets are installed so as to place the glass into it's final in service condition and allow the sealant to conform to optimum configuration. Note: If the sealant cures prior to glazing, the cured sealant could create excessive edge pressure onto the glass and has the potential to cause glass breakage.
- The glass must be checked for squareness, size dimension, and thickness along the edges paying attention to any variances from center edge to corner edge
- Check the placement of the installed glass and verify there is proper edge bite into the pocket, and proper edge clearance from framing elements

After sealant has set and a representative amount of the wall has been installed and glazed (250 square feet or more) run a water hose test in accordance with AAMA 501.2 specifications to check installation. On large projects the hose test should be repeated during the glazing operation. Consult and follow NGA's GANA Manual and FGMA Glazing Manual for proper glazing technique and procedure.

13. **COORDINATION WITH OTHER TRADES.** Coordinate with the general contractor any sequence with other trades which offset curtain wall installation (i.e. fire proofing, back-up walls, partitions, ceilings, mechanical ducts, converters, etc.).
14. **CARE AND MAINTENANCE.** Final cleaning of exposed aluminum surfaces should be done in accordance with AAMA 609.1 for anodized aluminum and 610.1 for painted aluminum.

INSTALLATION INSTRUCTIONS

Most details in these instructions show Series BT525 members for 1" (25) glazing. Series BT525, and BG600, are similar.

Measure ROUGH OPENING to determine FRAME DIMENSION, allowing 1/4" (6.4) minimum clearance for shimming and caulking around perimeter.

1. Cut members to size:

FRAME FABRICATION

Head and Sill:

FRAME WIDTH

If opening exceeds 24' (7.32 m) in width, splice sleeves must be used at splice joints. See page 17.

Wall jambs:

FRAME HEIGHT MINUS 4-5/8" (117.5) or

FRAME HEIGHT MINUS 4-11/16" (119.1) if optional perimeter face covers are used. See page 20.

Wall jamb inserts and Verticals:

FRAME HEIGHT MINUS 1-5/16" (33.3)

Horizontal members:

D.L.O. = +0" -1/32" (0.8)

Head and Sill fillers:

D.L.O. = +0" -1/32" (0.8)

Horizontal face covers:

FRAME WIDTH MINUS 4-9/16" (115.9) (See page 17 for splice joints) or
FRAME WIDTH MINUS 4-11/16" (119.1) if perimeter covers are used.

Optional Head and Sill face covers:

FRAME WIDTH PLUS 3/16" (4.8)

Face covers extend 3/32" (2.4) past head/sill. If elevation exceeds 15' (4.6m.) in width splice covers at vertical's center line. See page 17.

Optional Wall jamb face covers:

FRAME HEIGHT MINUS 4-11/16" (119.1)

Vertical transition adaptors:

D.L.O. PLUS 1-1/4" (31.8) for intermediate lites. See page 16.

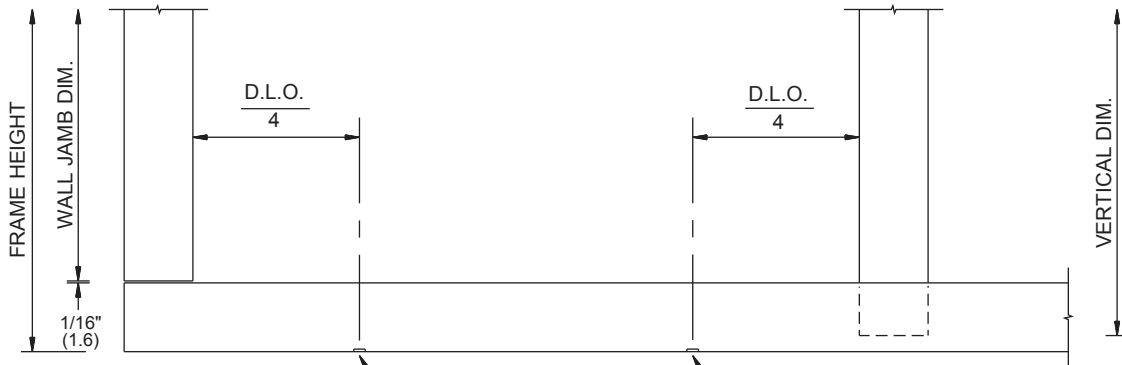
D.L.O. PLUS 1/2" (12.7) for top and bottom lites. See page 16.

D.L.O. for head to sill light.

Horizontal transition adaptors:

D.L.O. MINUS 1/8" (3.2). See page 16.

2. Drill 5/16" (7.9) Weep Holes in sill member, two per glass bay, at quarter points. **See DETAIL A.**



DETAIL A

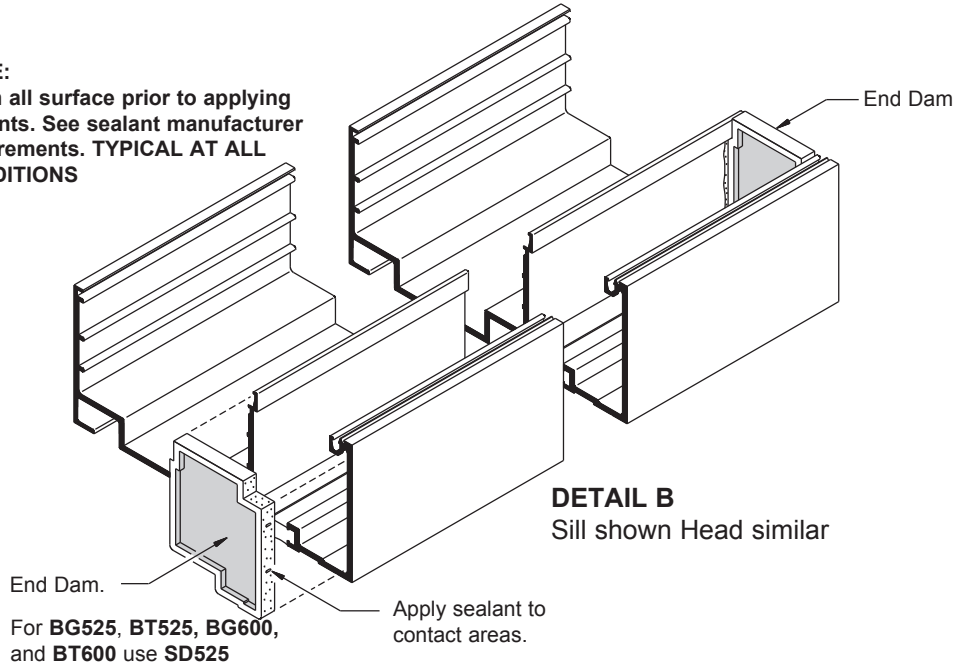
Drill two 5/16" (7.9) dia. Weep Holes, **DETAIL C** page 06.

SERIES BG525, BG600, BT525, AND BT600

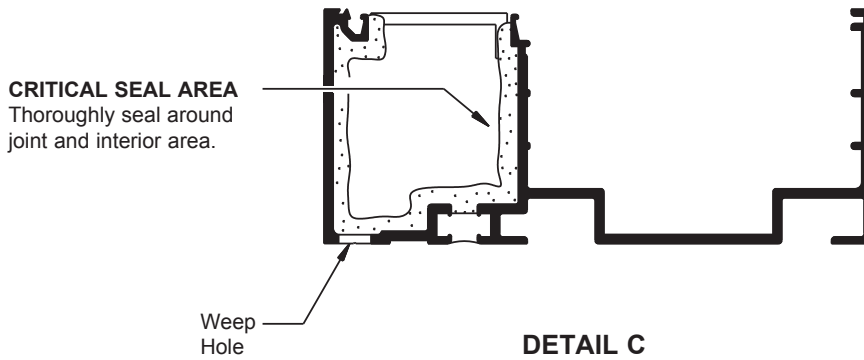
3. Attach End Dams to ends of head and sill. Apply sealant to contact areas. **See DETAIL B.**

NOTE:

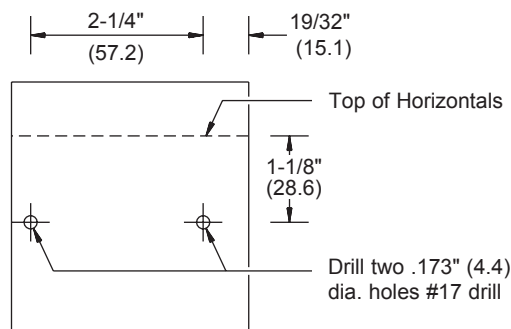
Clean all surface prior to applying sealants. See sealant manufacturer requirements. TYPICAL AT ALL CONDITIONS



4. Seal around End Dams in sill and head gutters. **See DETAIL C.**
(End Dams are required at head to control air infiltration).



5. Mark on verticals and jamb inserts the location of horizontal members and drill holes for assembly screws. **See DETAIL D.**
The use of drill jigs is recommended. **See DETAIL E.**



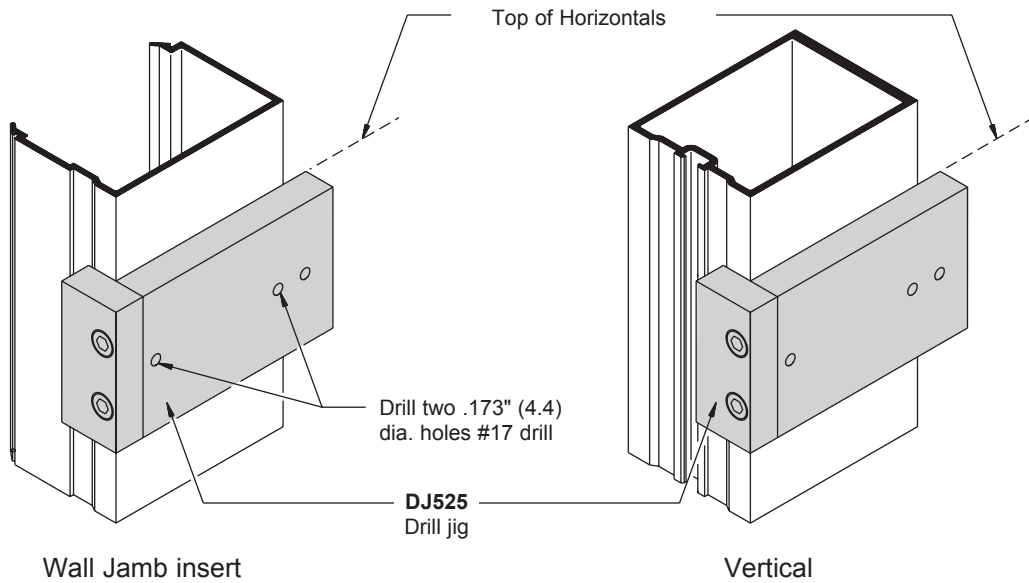
usalum.com

V 2024-1007
Copyright © 2021 US Aluminum
All rights reserved.

™ ® Trademarks of US Aluminum and its affiliated companies or respective owners.

*CRL items listed above or equivalent

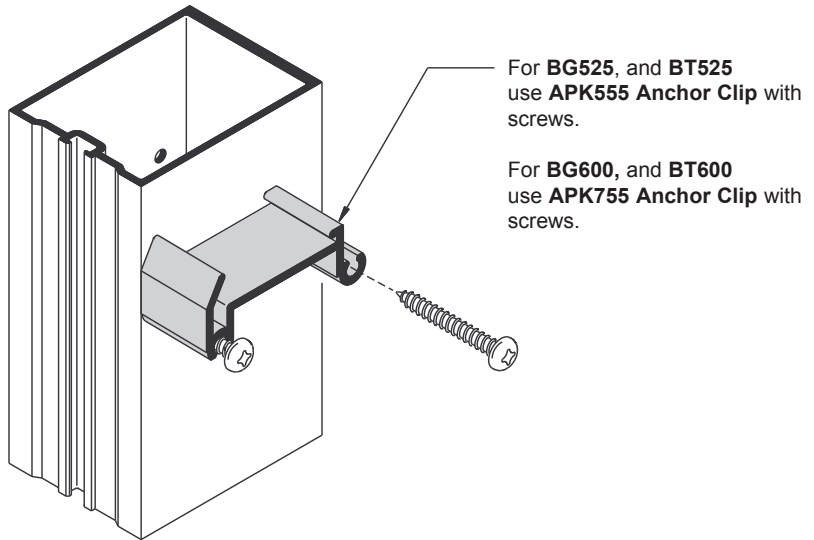
SERIES BG525, BG600, BT525, AND BT600



DETAIL E

6. Attach anchor clips to verticals with screws provided. See **DETAIL F**.

NOTE:
Visit our website at usalum.com for details about our **Accufab Pro** Cat. No. **ACU24** and **ACU32** Shear Block Positioning System.

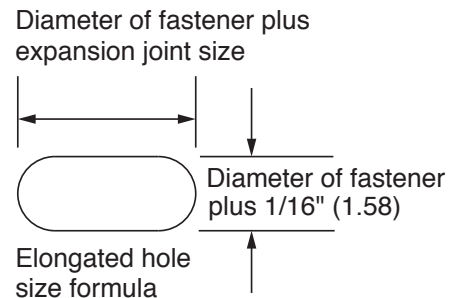


DETAIL F

FRAME INSTALLATION

NOTE: Always check overall dimension every four bays to monitor horizontals cutting tolerances.

1. Set head and sill members in place, plumb and square; shim as required to level and fasten to structure. Locate fasteners 6" (152.4) each side of verticals and 24" (609.6) O.C. or as required. Holes for fasteners should be elongated laterally to allow for thermal movement. **Pin sill to structure at one point only per cut length** (This hole is not elongated). Sill should be shimmed at fasteners locations and under setting blocks and verticals. Splice head and sill members as required. See page 17.



usalum.com

V 2024-1007

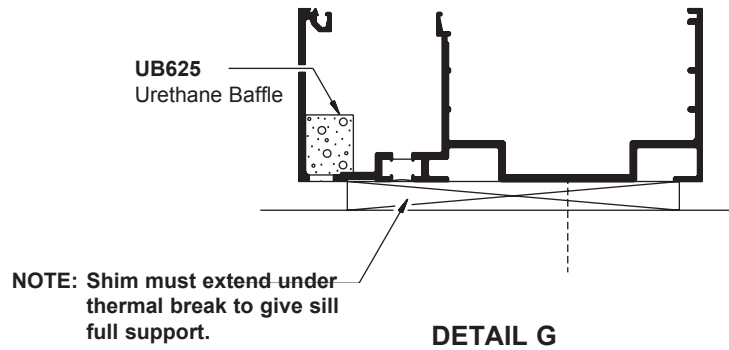
Copyright © 2021 US Aluminum

All rights reserved.

™ ® Trademarks of US Aluminum and its affiliated companies or respective owners.

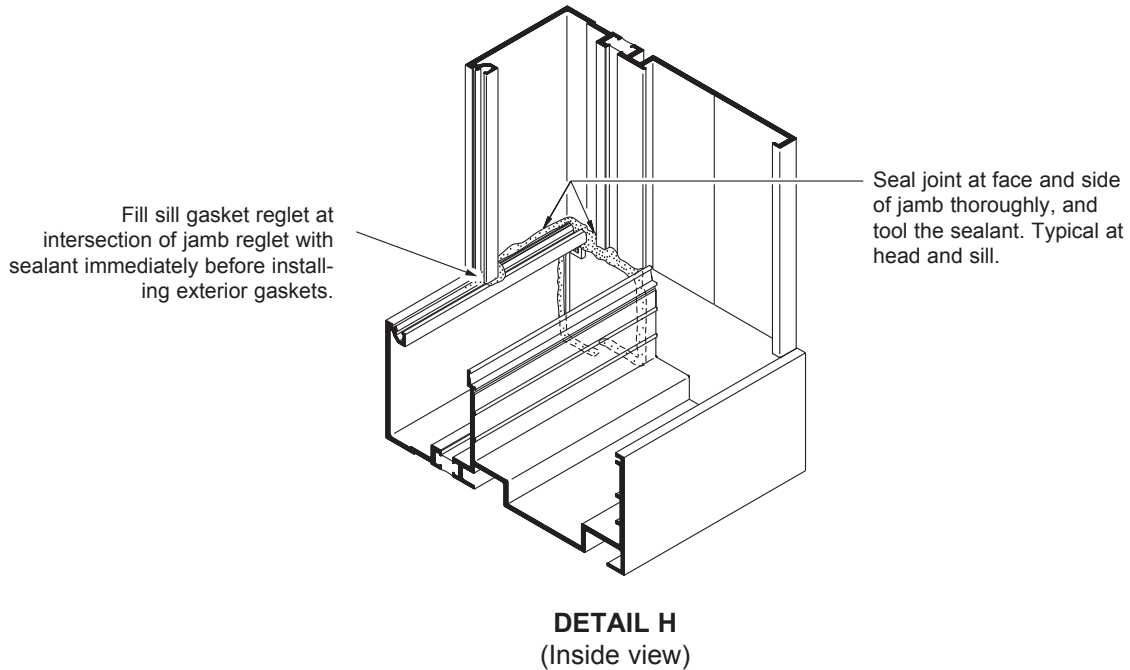
SERIES BG525, BG600, BT525, AND BT600

2. Insert Urethane Baffles into sill gutter at Weep Hole locations. (Use silicone to hold them in place if necessary).
See **DETAIL G**.

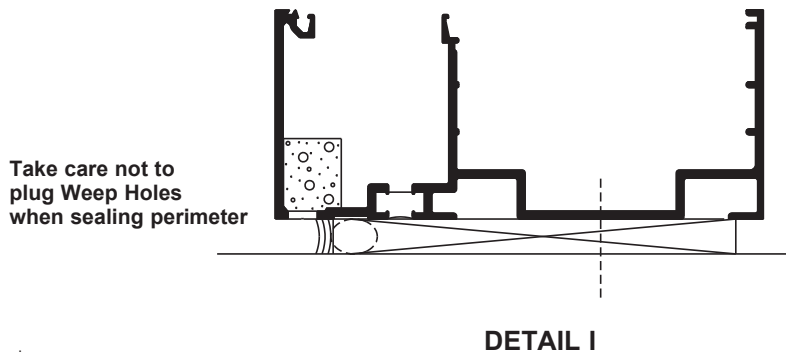


If optional perimeter face covers are being used, see page 20.

3. Install wall jamb plumb and anchor to wall at 24" (609.6) O.C. or as required. Leave a 1/16" (1.6) clearance between jamb and head/sill members. See **DETAIL A** on page 05. Seal joint at face and side of Jamb.
See **DETAIL H**.



4. Seal around perimeter. Perimeter sealing may be done later in exterior glazing installations.



GLAZING – all Series BG and BT

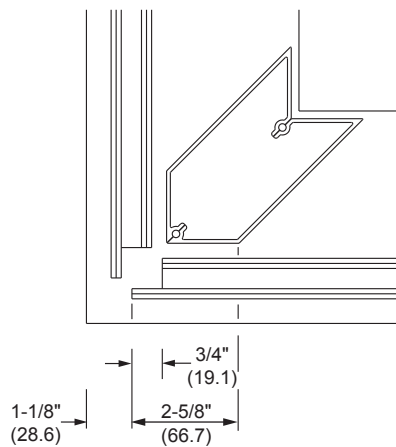
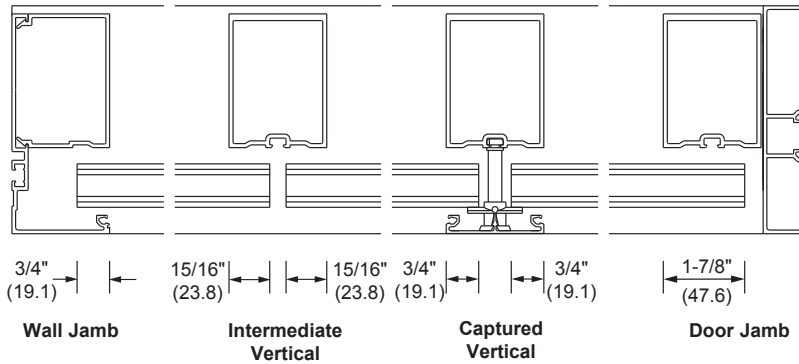
GLASS SIZES*

GLASS HEIGHT : DAYLIGHT OPENING (D.L.O.) + 7/8" (22.2)*

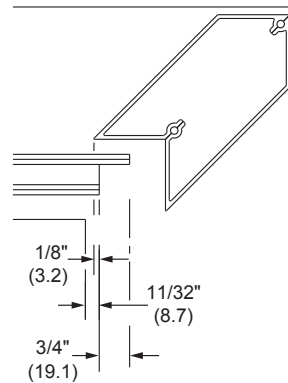
GLASS WIDTH : DAYLIGHT OPENING (D.L.O.) + Glass Bites*

*Glass Bites vary between products. Consult shop drawing or refer to details in the US Aluminum Architectural design manual.

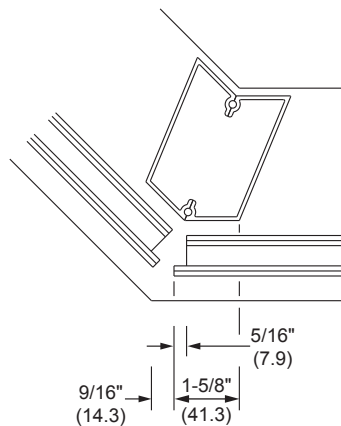
BG525, BG600, BT525 and BT600 Glass Bites



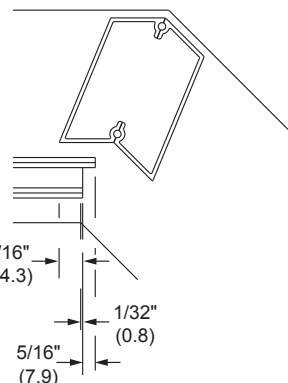
90° Outside Corner



90° Inside Corner



135° Outside Corner



135° Inside Corner

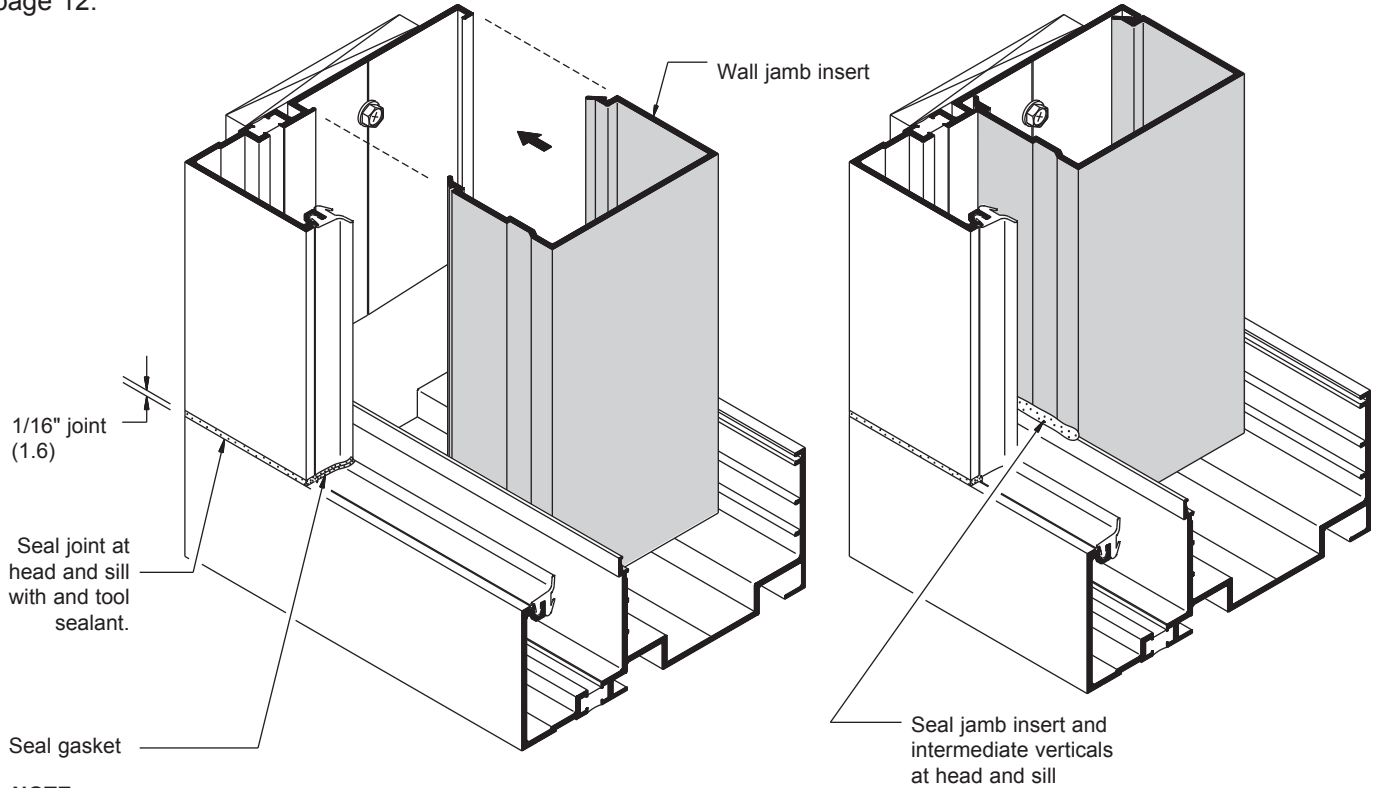
DETAIL K

SERIES BG525, BG600, BT525, AND BT600

Elevations with intermediate horizontals must be **EXTERIOR GLAZED** as shown on page 13.

INTERIOR GLAZING INSTALLATION

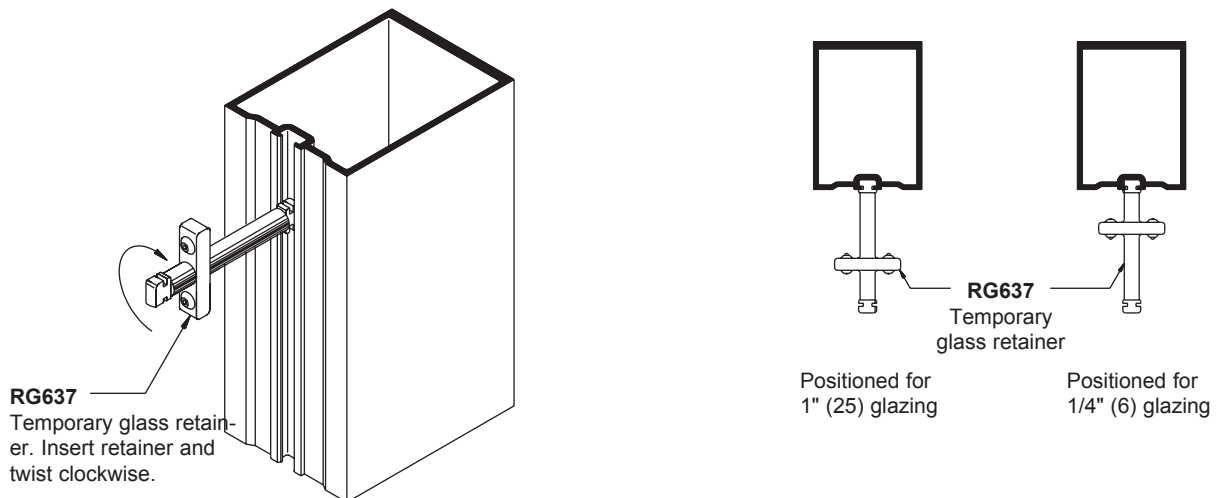
1. Cut exterior glazing gaskets 1/8" (3.2) longer per foot than aluminum member, to allow for shrinkage.
2. Install gaskets into head, sill and jambs. Vertical gaskets butt into horizontal gaskets.
3. Snap-in wall jamb insert for the first bay. **See DETAIL L.** Seal jamb filler to jamb, as shown on **DETAIL Q,** page 12.



NOTE:
See sealant note on **DETAIL H**
page 08 before installing gaskets

DETAIL L

4. Install temporary glass retainers into intermediate verticals. Use one retainer for every 150 lbs. (667.2 N) of load. I.E. If $\text{GLASS HEIGHT} \times \text{GLASS WIDTH} \times \text{WINDLOAD} = 350 \text{ lbs. (1556.9 N)}$ use three retainers per vertical.



RG637
Temporary glass retain-
er. Insert retainer and
twist clockwise.

RG637
Temporary
glass retainer

Positioned for
1" (25) glazing

Positioned for
1/4" (6) glazing

usalum.com

V 2024-1007

Copyright © 2021 US Aluminum

All rights reserved.

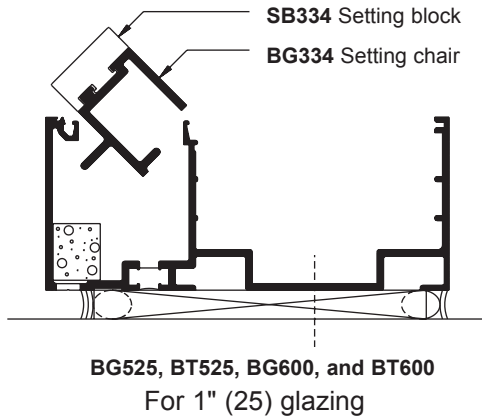
™ ® Trademarks of US Aluminum and its affiliated companies or respective owners.

DETAIL M

SERIES BG525, BG600, BT525, AND BT600

Aluminum and glass are installed simultaneously, bay by bay.
Always protect edges of glass carefully to avoid damage.

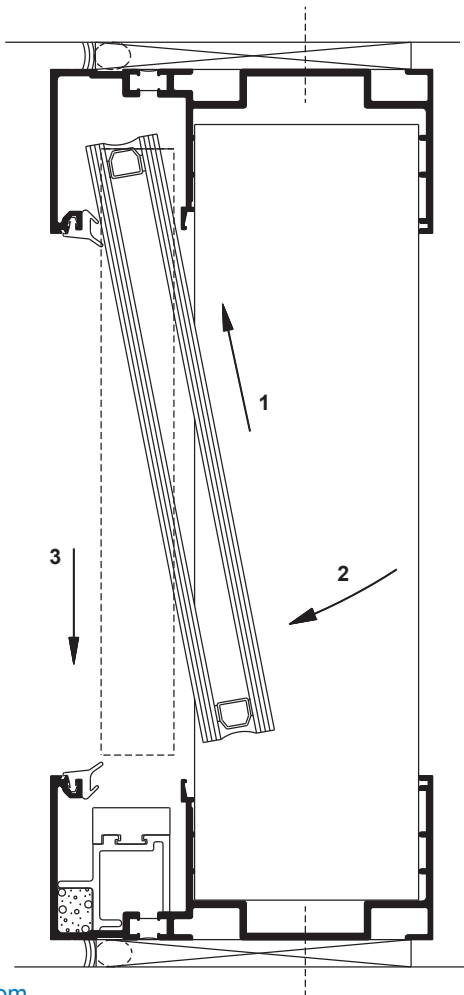
5. Install two setting blocks per glass lite into sill gutter at quarter points. See **DETAIL N**.



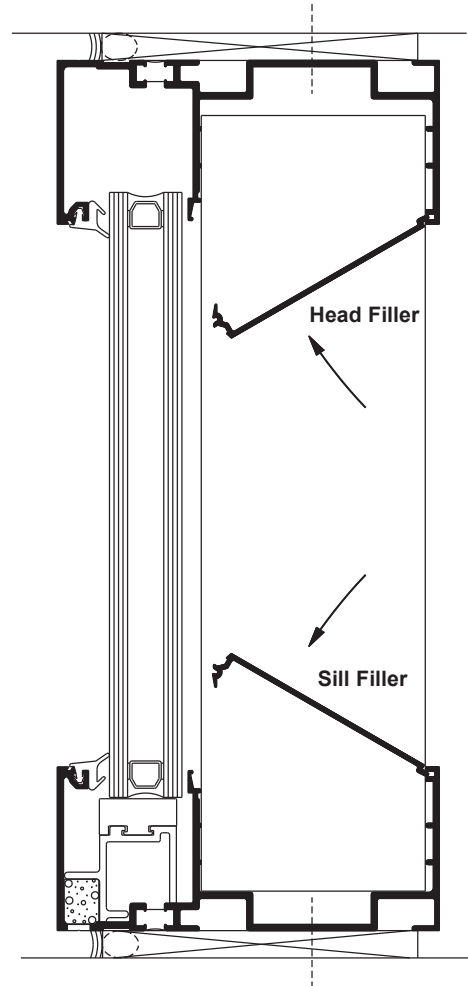
DETAIL N

NOTE: All glazing pockets must be clean of debris before glazing to prevent blockage of weeps or drains.

6. Position first glass lite in place, into header and down on to setting blocks. See **DETAIL O**.
7. Snap-in head and sill fillers. See **DETAIL P**.



DETAIL O



DETAIL P

usalum.com

V 2024-1007

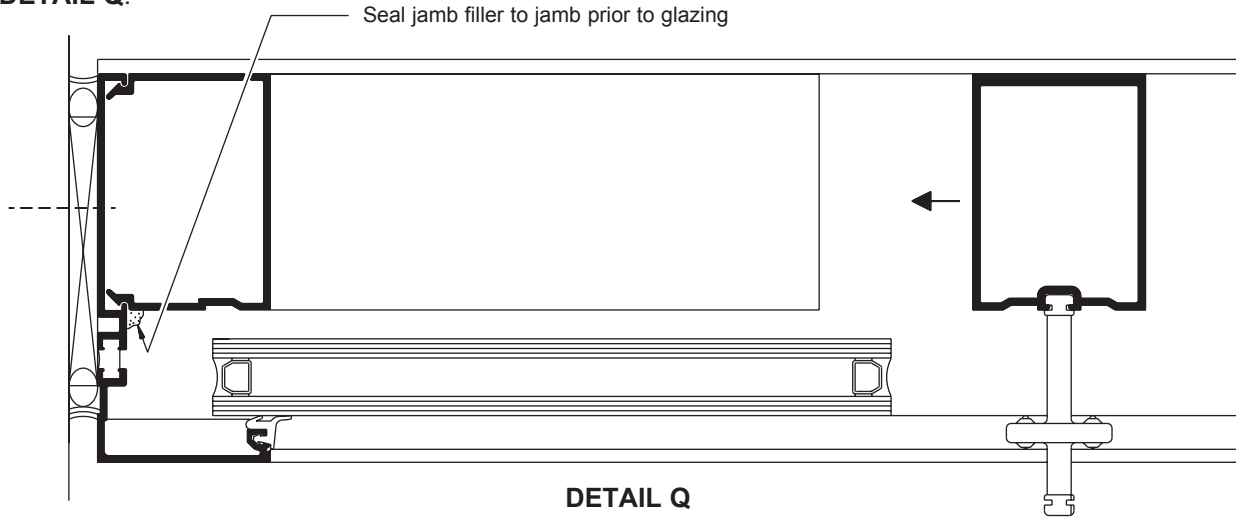
Copyright © 2021 US Aluminum

All rights reserved.

™ ® Trademarks of US Aluminum and its affiliated companies or respective owners.

SERIES BG525, BG600, BT525, AND BT600

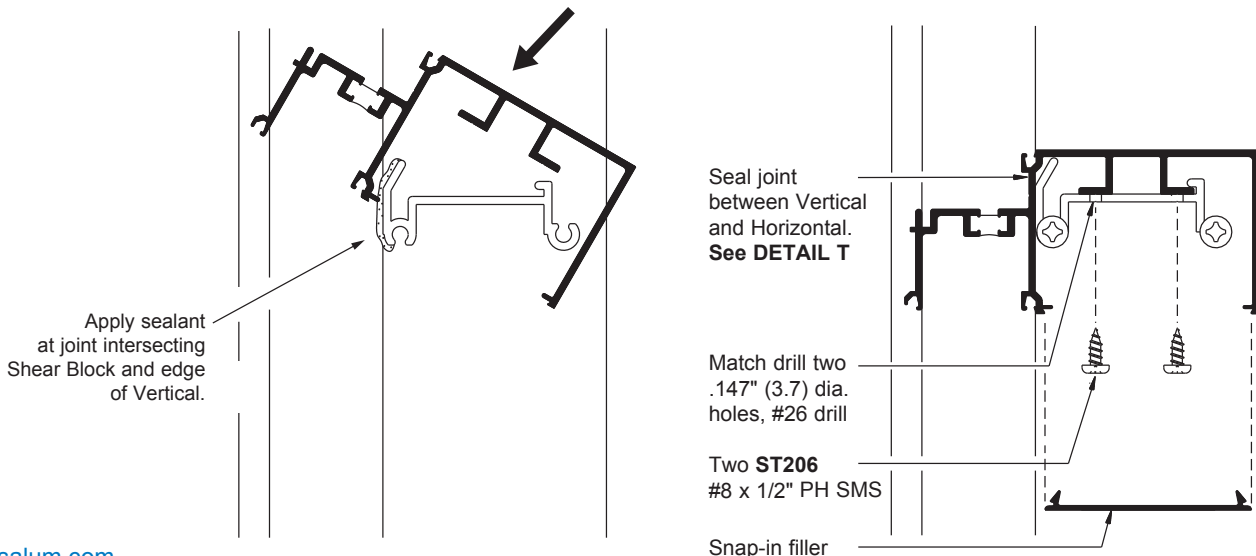
- Set vertical within head and sill channels and slide it tight into place against head and sill fillers.
See **DETAIL Q**.



- Repeat steps 6 to 8 until all bays are glazed. At last glass bay leave wall jamb insert off until glass is installed.
NOTE: A check should be made every four bays to monitor accumulation of horizontal members cutting tolerances
- Push glazing spacers between glass and aluminum until they lock in place. See **DETAIL Y** on page 15. Spacers run full height of glass.
- Install interior gaskets. Go to step 20, page 16.

EXTERIOR GLAZING INSTALLATION

- Snap-in wall jamb insert. See **DETAIL L**, page 10 similar and **DETAIL Q**.
- Snap-in head and sill fillers for the first bay.
- Install vertical and slide it tight against head and sill fillers.
- Repeat steps 2 and 3 until last bay. At last bay snap-in wall jamb insert before head and sill fillers.
NOTE: A check should be made every four bays to monitor accumulation of horizontal members cutting tolerances
- Roll horizontals over anchor clips. Match drill two .147" (3.7) dia. holes through anchor clips and secure horizontals with two screws provided. Snap-in bottom filler. See **DETAIL R**.



DETAIL R

usalum.com

V 2024-1007

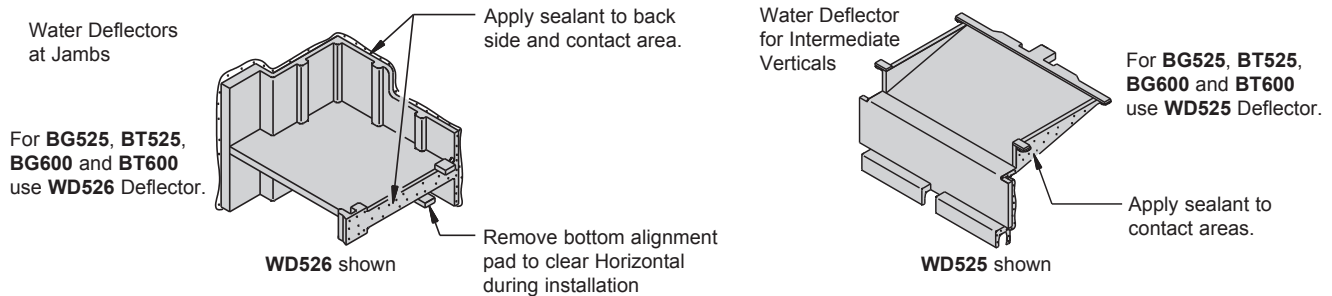
Copyright © 2021 US Aluminum

All rights reserved.

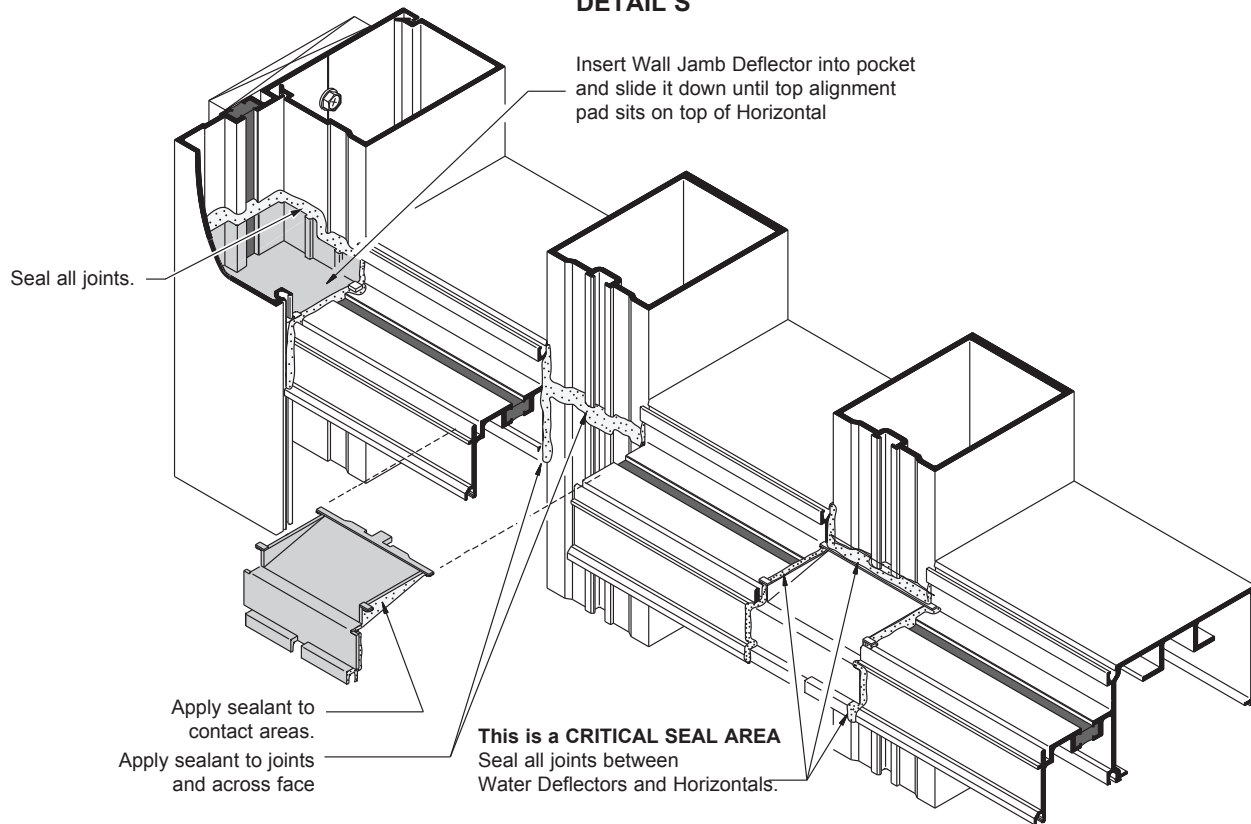
™ ® Trademarks of US Aluminum and its affiliated companies or respective owners.

SERIES BG525, BG600, BT525, AND BT600

6. Seal joints between horizontals and verticals. **See DETAIL T.** Apply sealant across face of intermediate verticals at water deflectors location. **See DETAIL T.**
7. Water deflectors for wall jambs require that alignment pad at the bottom is removed before installation.
NOTE: Wall jamb water deflectors fit both, right and left conditions; before removing alignment pad make sure which one of the pads will be at the bottom. **See DETAIL S.**
8. Apply sealant to deflectors contact areas and set them in place. **See DETAILS S and T.**



DETAIL S



DETAIL T

Always protect edges of glass carefully to avoid damage

9. Install two setting blocks per glass lite into sill gutter at quarter points. **See DETAIL N,** page 11.
10. Cut glazing gaskets 1/8" (3.2) longer per foot of aluminum members, to allow for shrinkage.
11. Install interior gaskets into horizontals, head and sill members.
NOTE: All glazing pockets must be clean of debris before glazing to prevent blockage of weeps or drains.
12. Set lower glass onto setting blocks, **holding 3/8" (9.5) joints between glass lites.**

usalum.com

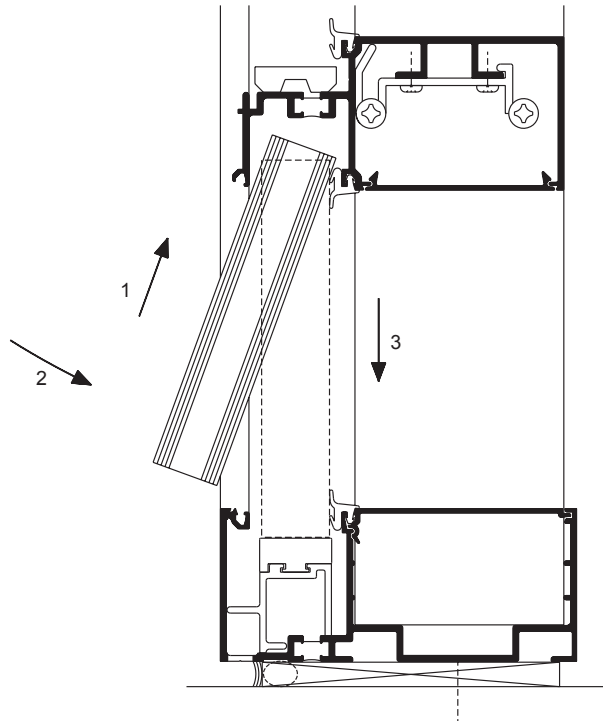
V 2024-1007

Copyright © 2021 US Aluminum

All rights reserved.

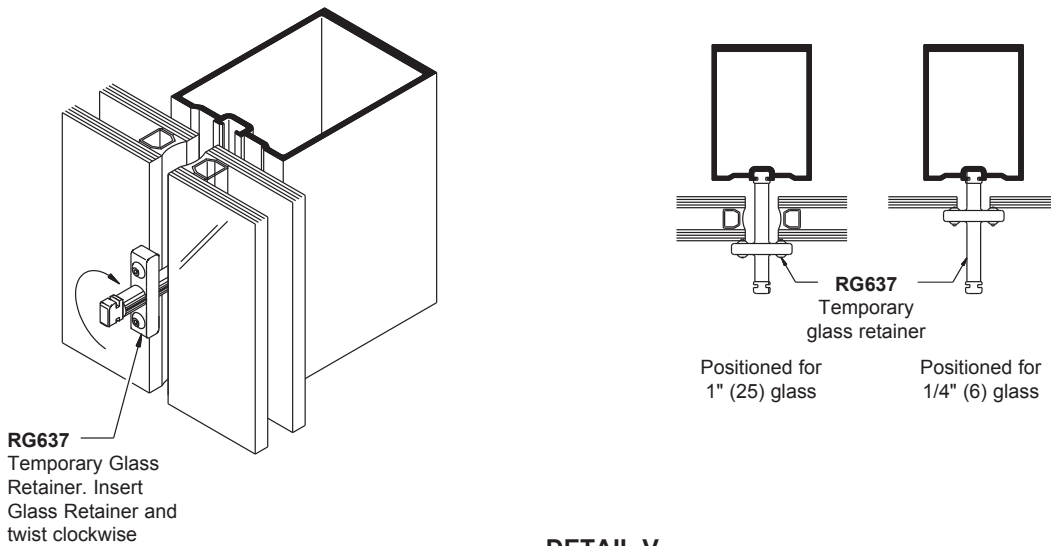
™ ® Trademarks of US Aluminum and its affiliated companies or respective owners.

*CRL items listed above or equivalent



DETAIL U

13. Hold glass in place with temporary retainers. **See DETAIL V.**
 Use one retainer for every 150 lbs. (667.2) of load.
 If GLASS HEIGHT x GLASS WIDTH x WINDLOAD = 350 lbs. (1556.9 N) use three retainers.

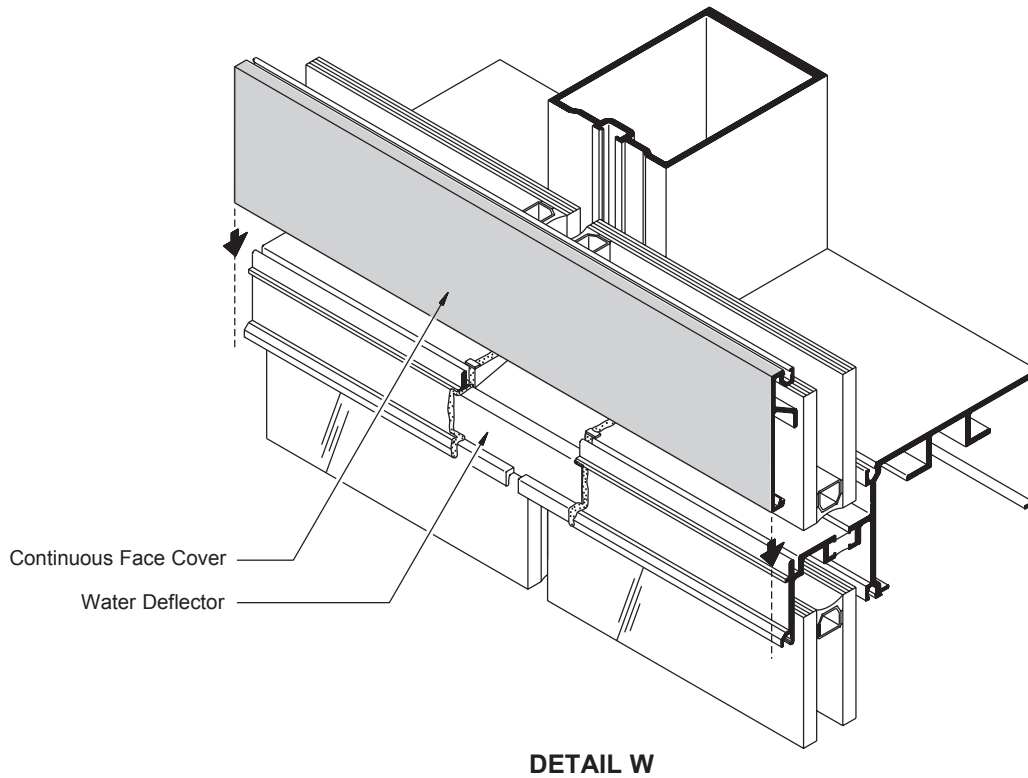


DETAIL V

14. Install two setting blocks for the next upper glass lite at quarter points or as indicated in shop drawings or deadload charts.
15. Set glass in place and repeat process until all glass is installed.
NOTE: Last bay of glass must be installed before previous one.

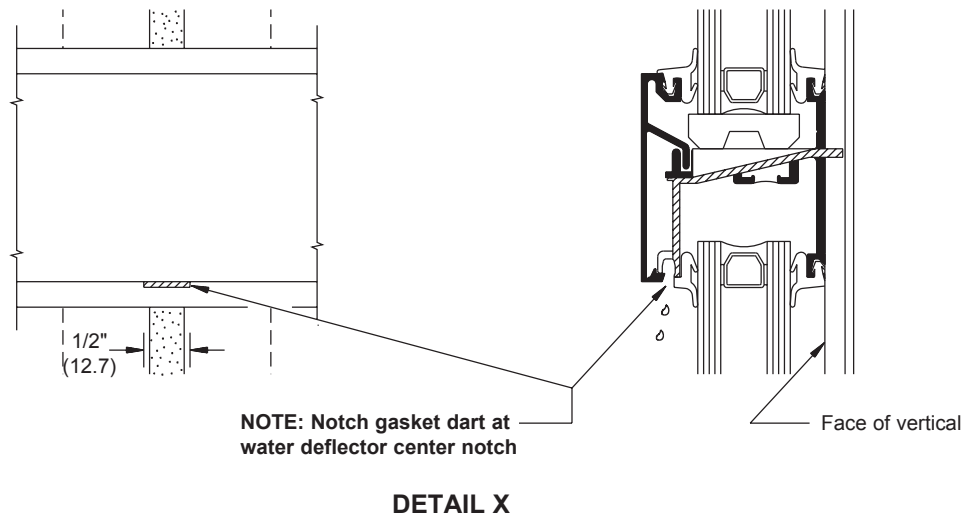
SERIES BG525, BG600, BT525, AND BT600

16. Snap-in continuous horizontal face cover. Maximum cover length 15' (4.6 m) in length. See page 17 for splice joints.



17. Install exterior glazing gaskets into all members. Horizontal gaskets butt against vertical gaskets. On bottom side of intermediate horizontal notch the dart of the glazing gasket at center of verticals to create a 1/2" (12.7) wide weep hole. **See DETAIL X.**

NOTE: On elevations without intermediate verticals create one weep hole at glass center line.



18. Push glazing spacers between glass and aluminum until they lock into place. Spacers run full height of glass. **See DETAIL Y.**

usalum.com

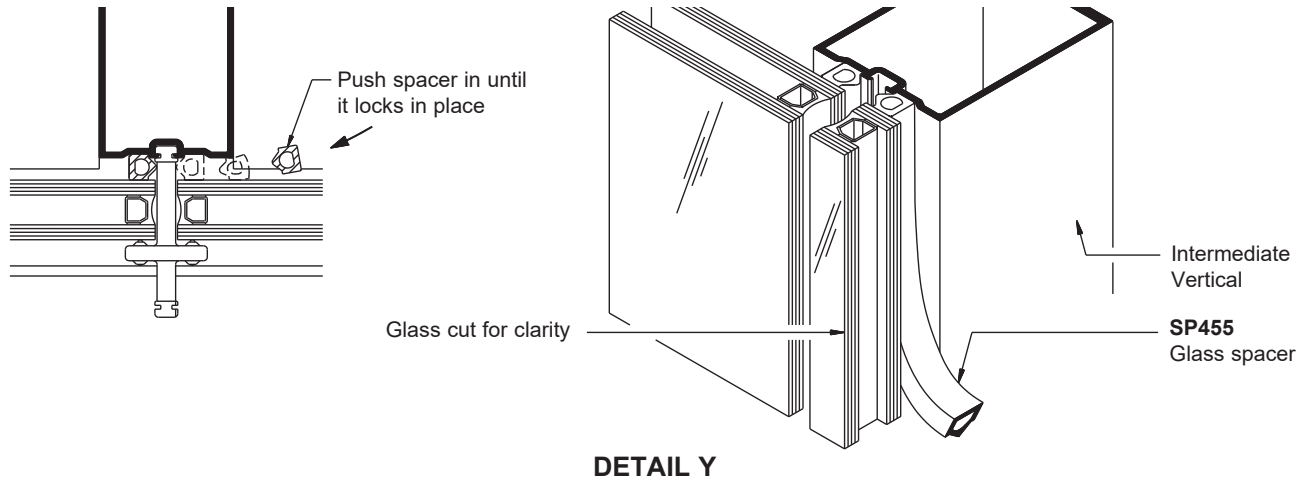
V 2024-1007

Copyright © 2021 US Aluminum

All rights reserved.

™ ® Trademarks of US Aluminum and its affiliated companies or respective owners.

SERIES BG525, BG600, BT525, AND BT600



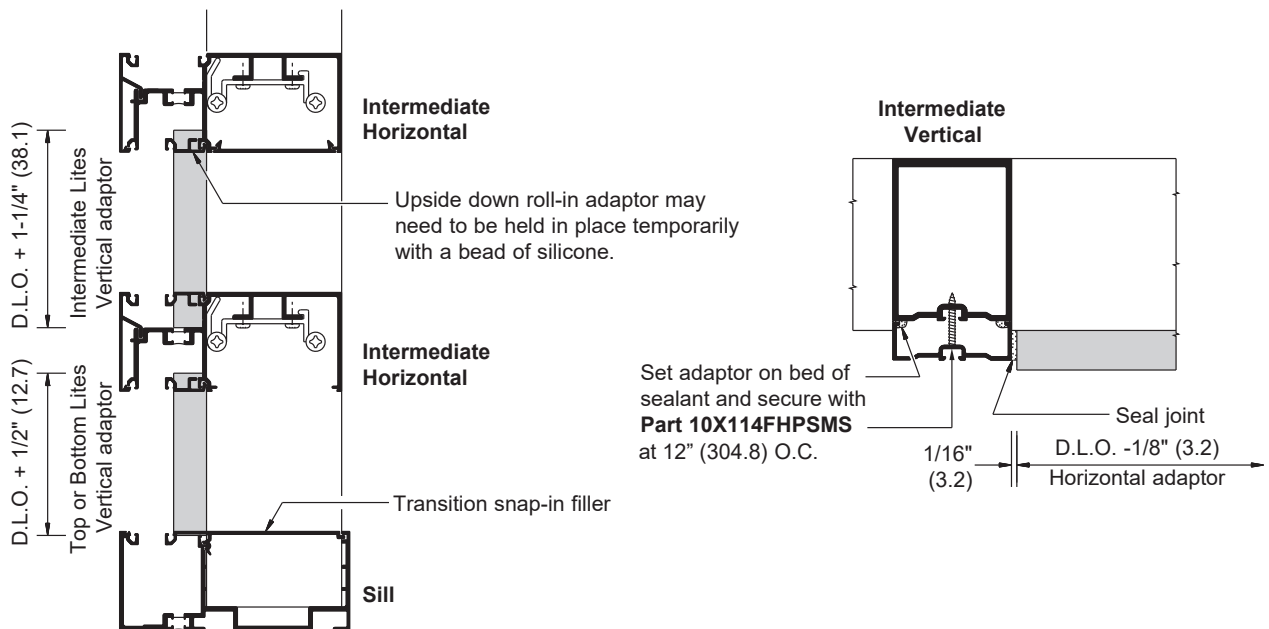
19. Install interior gaskets.
20. Apply structural silicone from the interior.

Always follow silicone manufacturer's instructions and recommendations for surface preparation and silicone application.

21. After structural silicone has fully cured remove temporary retainers, insert open cell polyurethane rod between glass edges, mask glass and aluminum adjacent to joint and apply weather seal.

TRANSITION GLAZING

Vertical transition adaptors run through. Run a bead of sealant in vertical member before setting adaptor. Vertical adaptors are screw applied. **See DETAIL Z.** Roll horizontal adaptors in place. Horizontal adaptors need to be installed when setting glass and held in place temporarily with a piece of gasket. When inside access is not possible upside down adaptor may be held horizontal with a bead of silicone.



usalum.com

V 2024-1007

Copyright © 2021 US Aluminum

All rights reserved.

™ ® Trademarks of US Aluminum and its affiliated companies or respective owners.

SERIES BG525, BG600, BT525, AND BT600

EXPANSION JOINTS

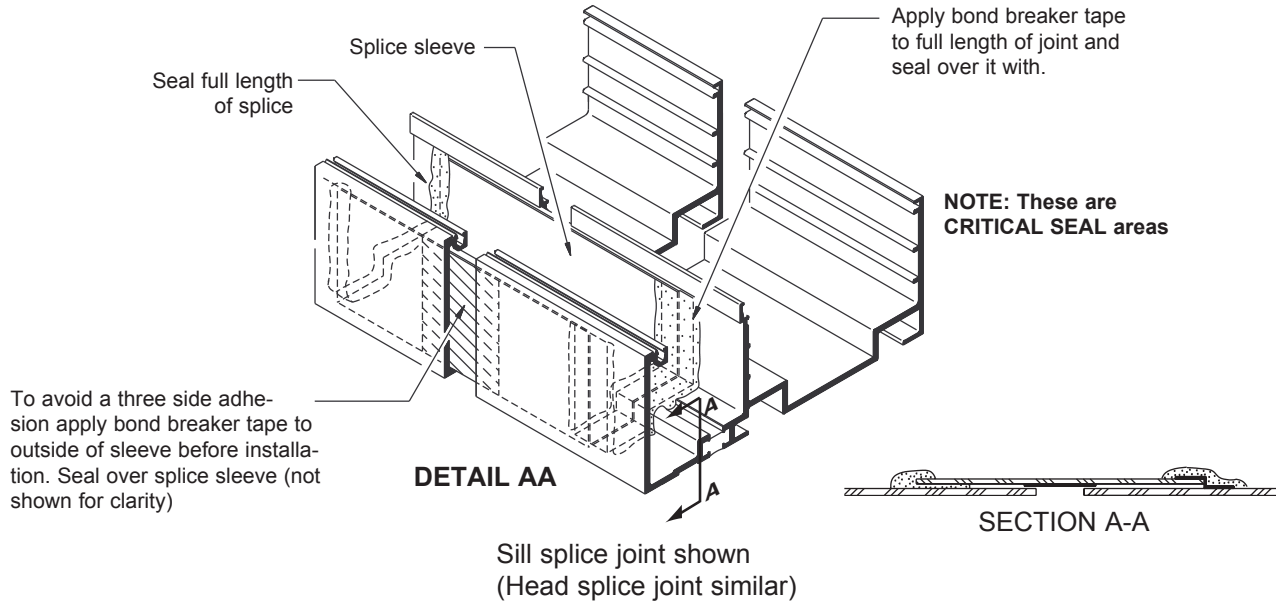
Elevations exceeding 24' (7.32 m) in width require splice sleeves for head/sill channel, to accommodate thermal movement. Joint width should be calculated according to job conditions and architectural specifications.

Linear expansion for aluminum, in inches	= Length (") x F° difference in temperature x .000129
Linear expansion for aluminum, in millimeters	= Length (m) x C° difference in temperature x .02322

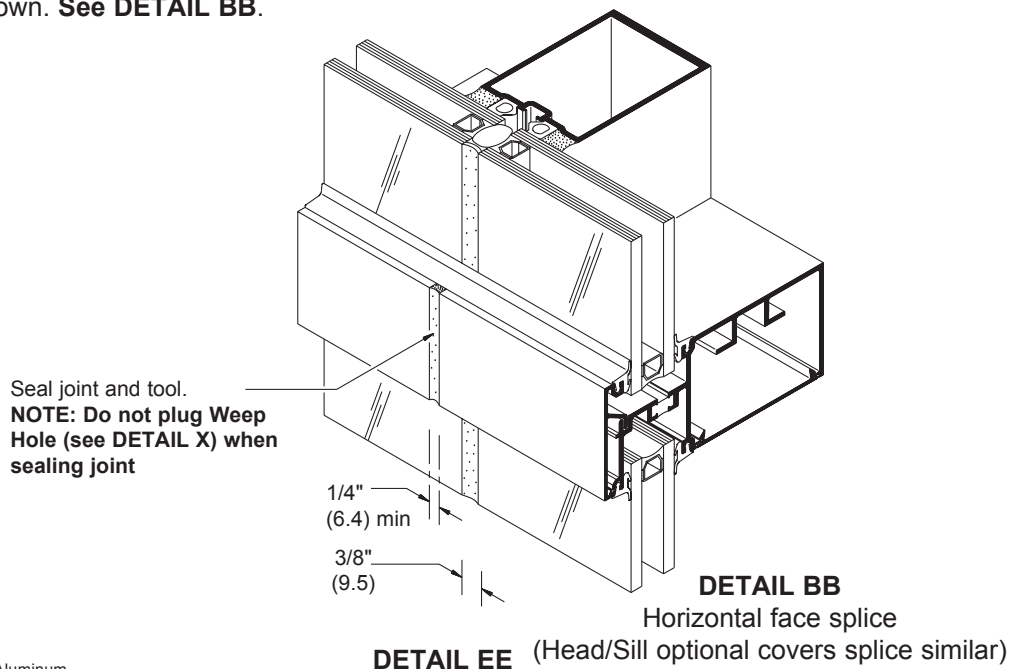
Locate splice joints at center line of a vertical mullion.

Elongate holes for installation fasteners at head and sill channels to allow for thermal movement.

Pin head and sill channels at one point only per cut length. (This hole is not elongated). It is recommended that exterior gaskets run continuous through splice joints. Seal joint and tool.



Horizontal and perimeter face covers exceeding 15' (4.5 m) in length must be spliced. Center splices in vertical members as shown. **See DETAIL BB.**



CORNER CONDITIONS

Head and sill members should be mitered as required.

Corner members should be cut same length as verticals.

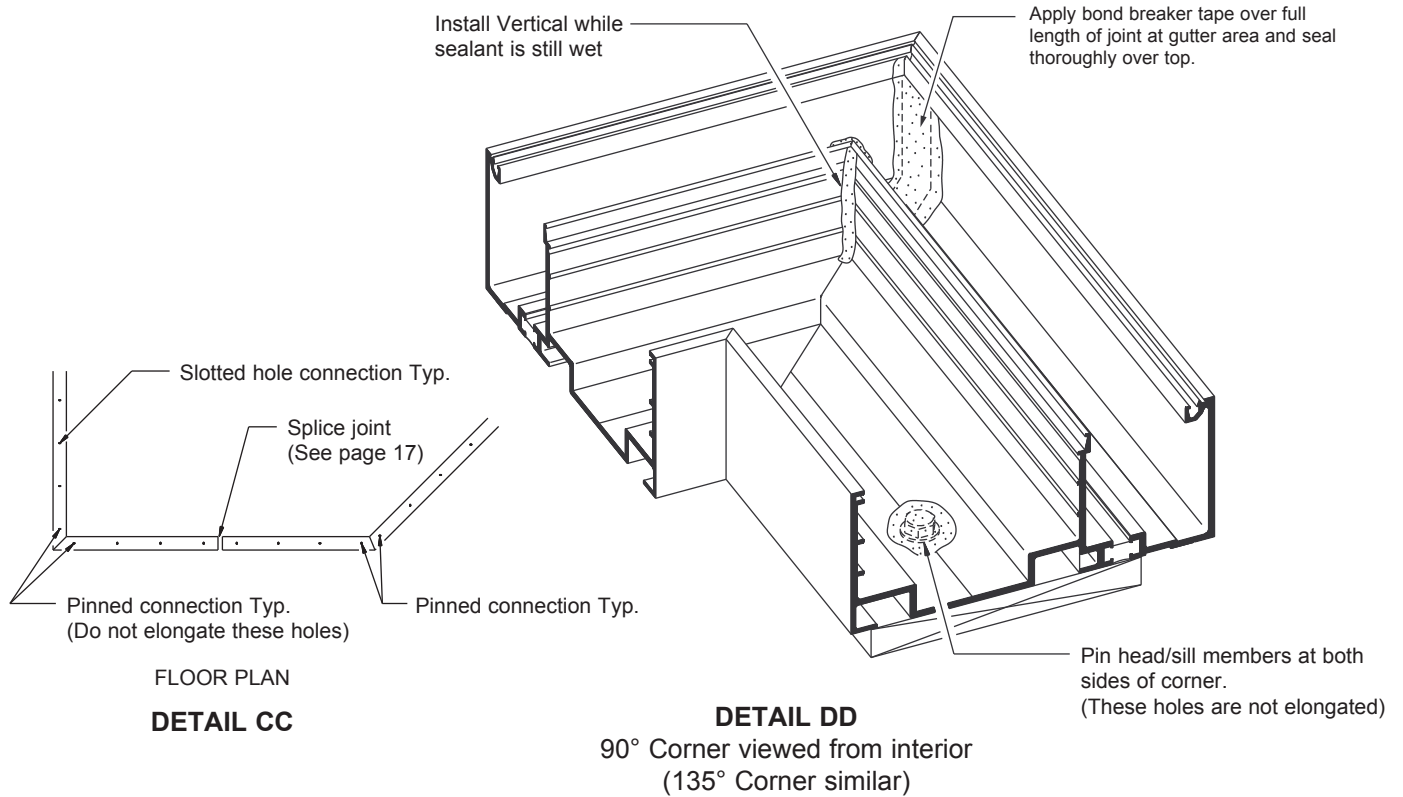
Head and sill members **must be pinned to structure on both sides of corner, to prevent movement of mitered joint.** (Do not elongate the hole where is pinned).

Elevations with corners at both ends require a splice joint to accommodate thermal movement.

See DETAIL CC.

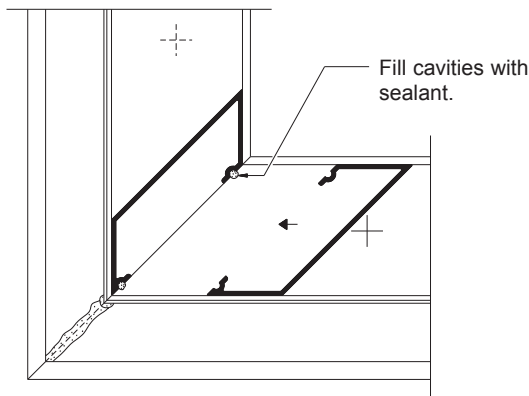
1. Install mitered head and sill at one side of corner and secure them to structure.
2. Butt edge of other half with silicone and install. Seal joint at gutter area.

See DETAIL DD.



3. Set corner components in place before snapping-in head and sill fillers.

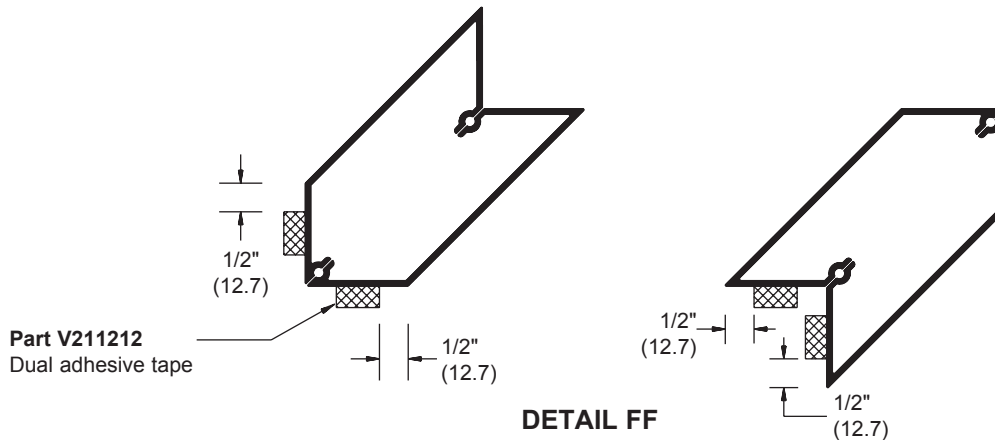
See DETAIL EE.



DETAIL EE

SERIES BG525, BG600, BT525, AND BT600

4. Use **Part V211212** dual adhesive tape to glaze corner conditions. Always install tape starting 1/2" from the edge of the corner member to provide a 1/2" wide silicone joint. **See DETAIL FF.**

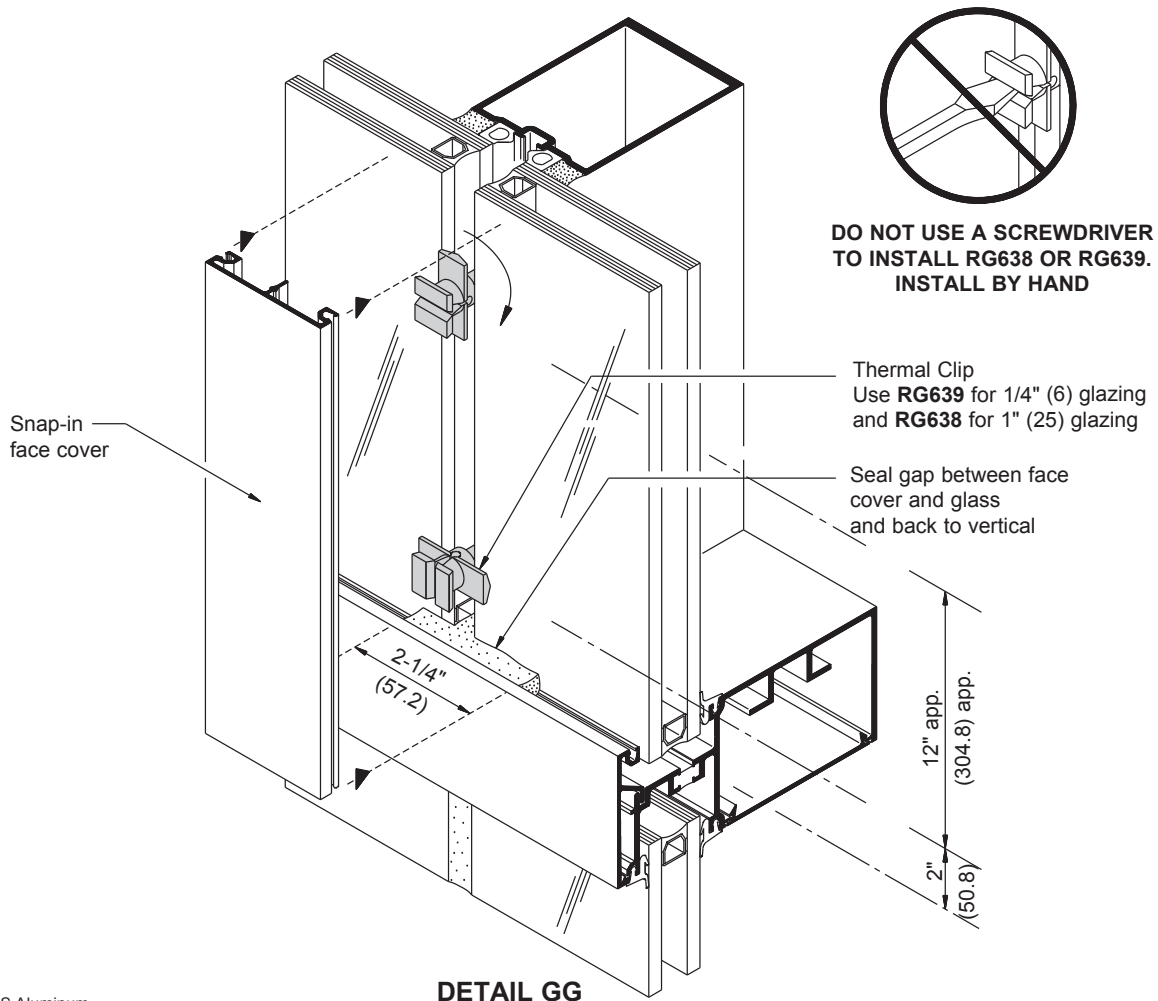


5. Press glass firmly against tape. In most conditions tape provides sufficient support during silicone curing time.

CAPTURED VERTICALS

Optional face covers for vertical members are available. Face covers run between horizontal covers and snap over thermal clips.

Install clips between glass lites and turn to the right (clockwise). Clips should be located 2" (50.8) from horizontal face covers and approximately 12" (304.8) O.C. **See DETAIL GG.**



usalum.com

V 2024-1007

Copyright © 2021 US Aluminum

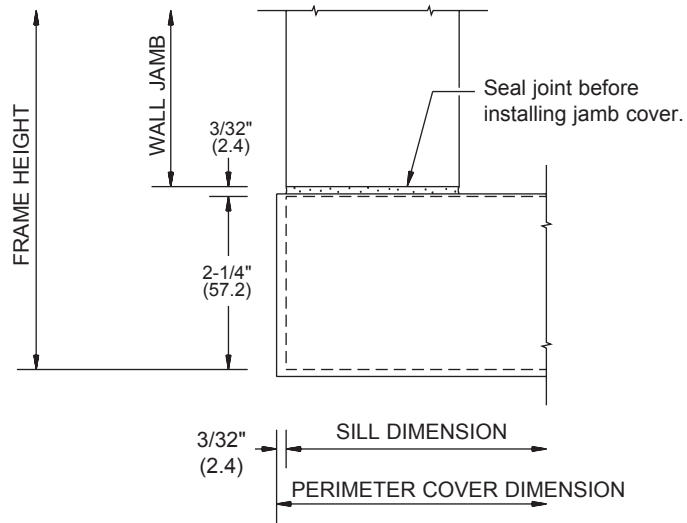
All rights reserved.

™ ® Trademarks of US Aluminum and its affiliated companies or respective owners.

OPTIONAL PERIMETER FACE COVERS

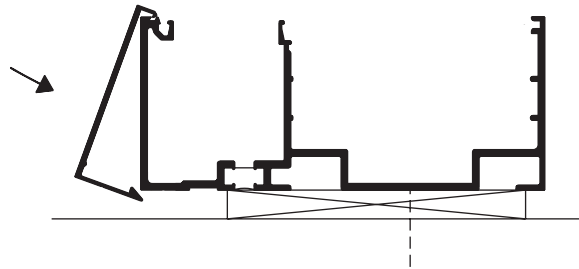
NOTE: Optional face covers must be installed before exterior glazing gaskets.

Head and sill covers extend $3/32"$ (2.4) past wall jamb. See **DETAIL HH**.



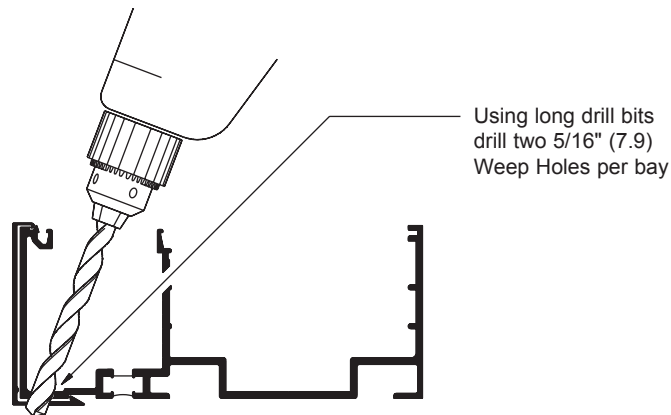
DETAIL HH

1. Snap-in head and sill covers before jamb installation. See **DETAIL II**. Care must be taken to prevent damage of face covers during installation. Use a piece of wood such as a 2" x 4" x 12" (50 x 100 x 300) and a Dead Blow Hammer.
2. Seal joints between wall jamb and head/sill covers immediately before installing jamb covers.



DETAIL II

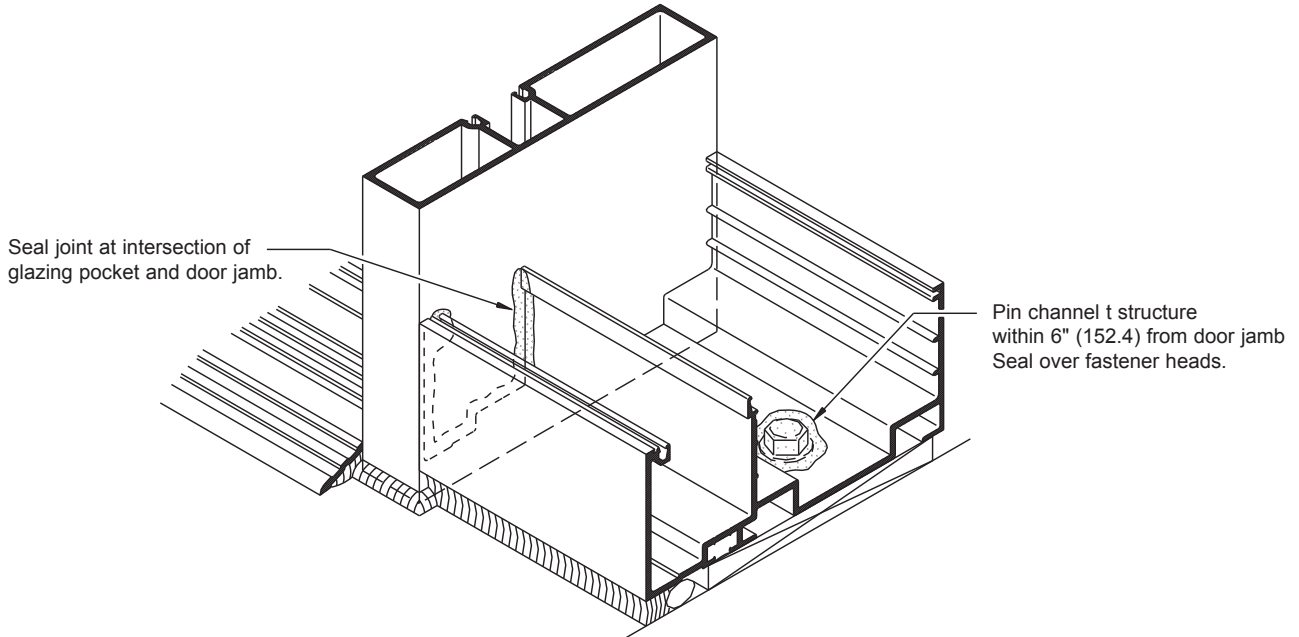
3. Drill two $5/16"$ (7.9) dia. holes in cover using sill Weep Holes as pilots. See **DETAIL JJ**.



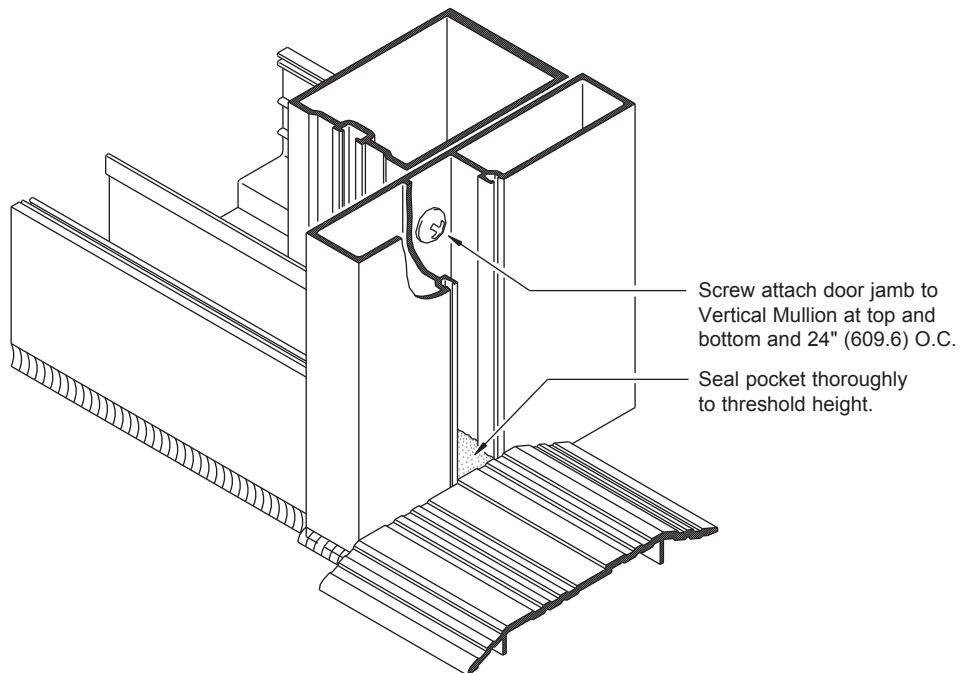
DETAIL JJ

DOOR SUBFRAME INSTALLATION

1. Cut door subframe to frame height plus bottom caulk joint size.



DETAIL KK



DETAIL LL

NOTE: See ENTRANCE DOOR and FRAME section for door installation.

usalum.com

V 2024-1007

Copyright © 2021 US Aluminum

All rights reserved.

™ ® Trademarks of US Aluminum and its affiliated companies or respective owners.

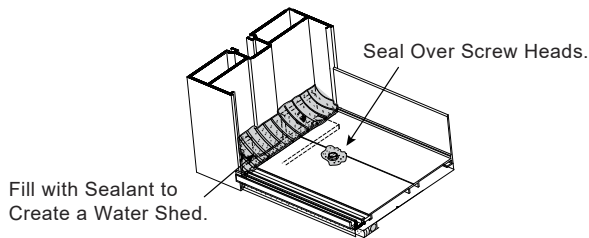
GUIDE TO SEALANTS

NOTE: All sealants must be tooled to ensure proper adhesion.

WATERPROOFING

• Typical Weather Sealant

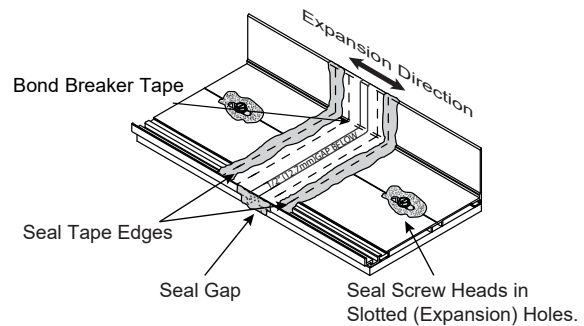
Sill to Subsill, End Dams, Screw Heads, and Threshold to Door Frame Sealing.



EXPANSION

• Typical Weather Sealant

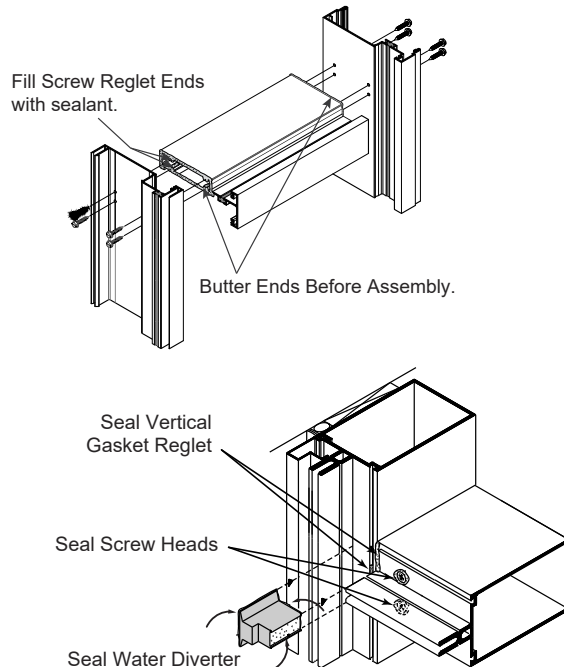
Expansion Joints.



JOINT ADHESIVE

• Typical Weather Sealant

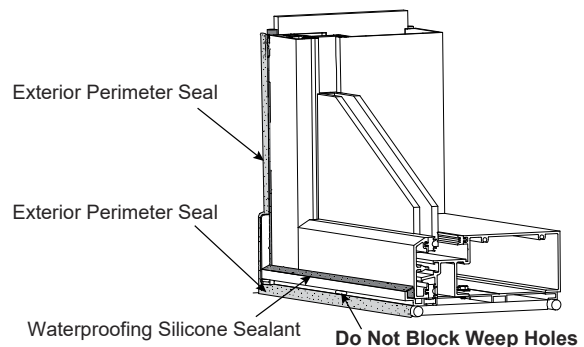
Small Joints, End Joints and Buttered Surfaces, Water Diverters, End Dams, and Reglet Fills.



PERIMETER

• Typical Weather Sealant

Perimeter Seals, Expansion Joints, Sill and Threshold Beds, Concrete, Wood, and Steel Openings.



STRUCTURAL

• ALL STRUCTURAL SEALANTS REQUIRE TESTING AND APPROVAL.

Glass-to-Glass or Glass-to-Metal