

BLAST MITIGATION

Special Features

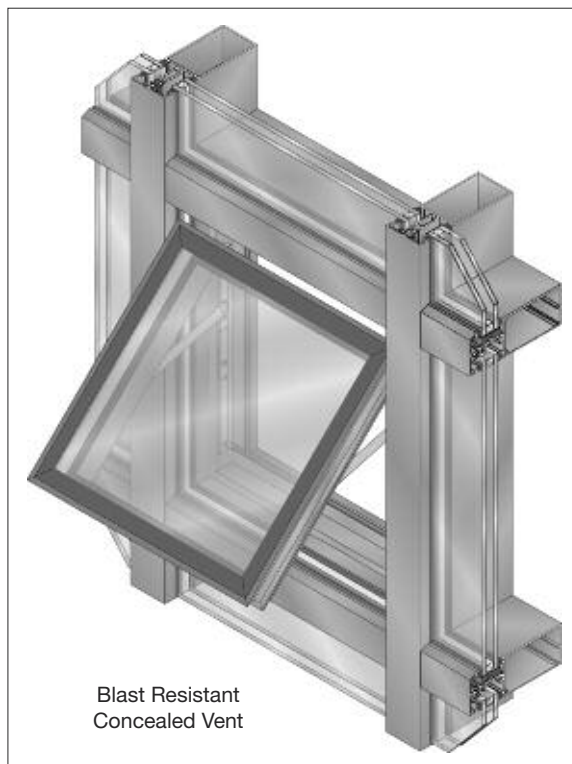
FOR 1-1/32" (26) GLAZING

**Blast Resistant
Concealed Vent Window**
• Defender Series BW7600

DEFENDER BLAST MITIGATION PRODUCTS

The Series BW7600 Blast Resistant Concealed Vent is a minimal sightline window offering a DoD 1 psi blast resistance capability. Standard hardware includes a single Multi-Point Locking Handle. As with all of our operable windows, vent construction starts with tubular vent components that are mitered, reinforced with corner keys, and crimped at all corners. When closed, the vent is sealed to the frame with bulb gaskets, ensuring an air tight seal.

- DoD UFC 4-010-01 (Jan 07), ATPF, ISC Security Design Criteria for Blast Protection for Windows, ASTM F 1642
- AAMA CW100-Rated
- Accepts 1-1/32" (26) Laminated Glazing
- Minimal Sightline
- Structural Silicone Glazed
- Use With BR604, BR606, and BT601 Storefront or BW3250 Curtain Wall
- Reinforced Corner Construction
- Thermally Broken
- U-Factor 0.56 to 0.34
- Multi-Point Locking Handles
- Made in the U.S.A.



Online usalum.com By Phone (800) 262-5151
Online crlaurence.com By Phone (800) 421-6144