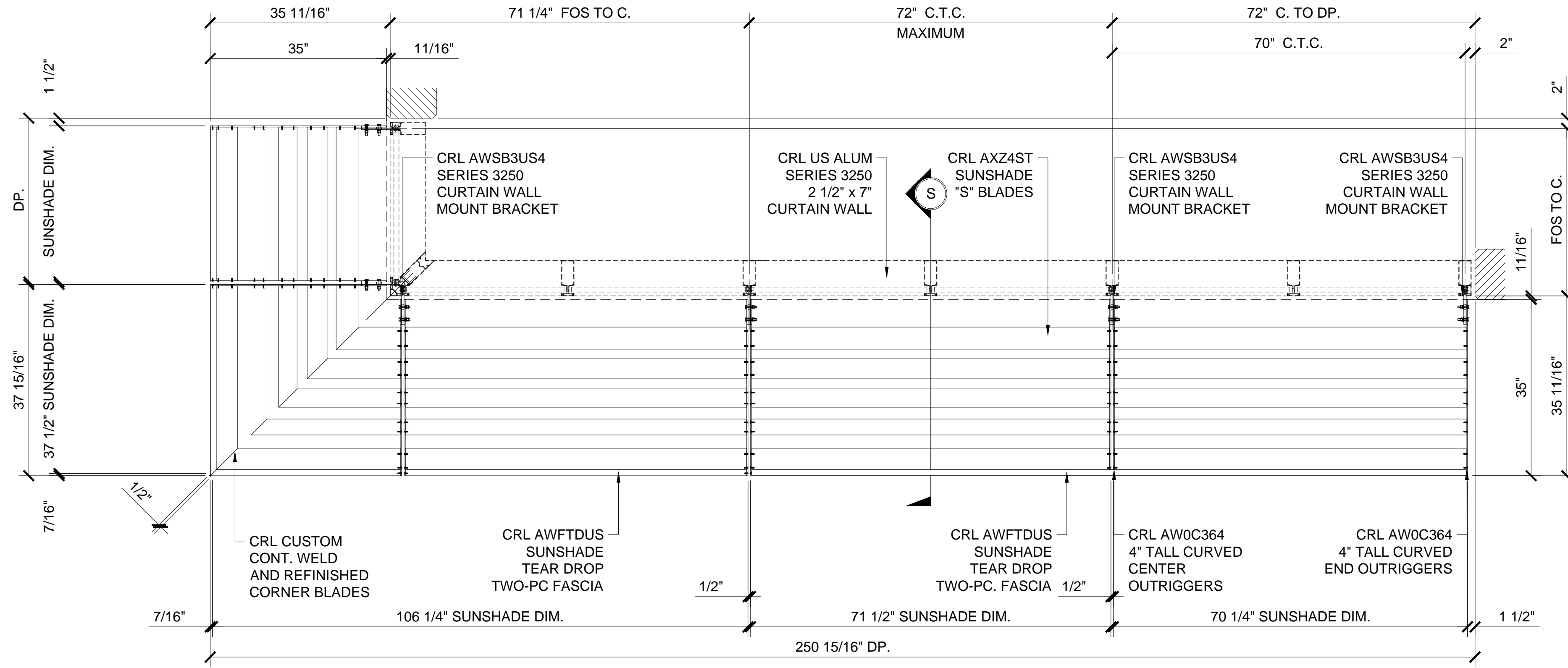
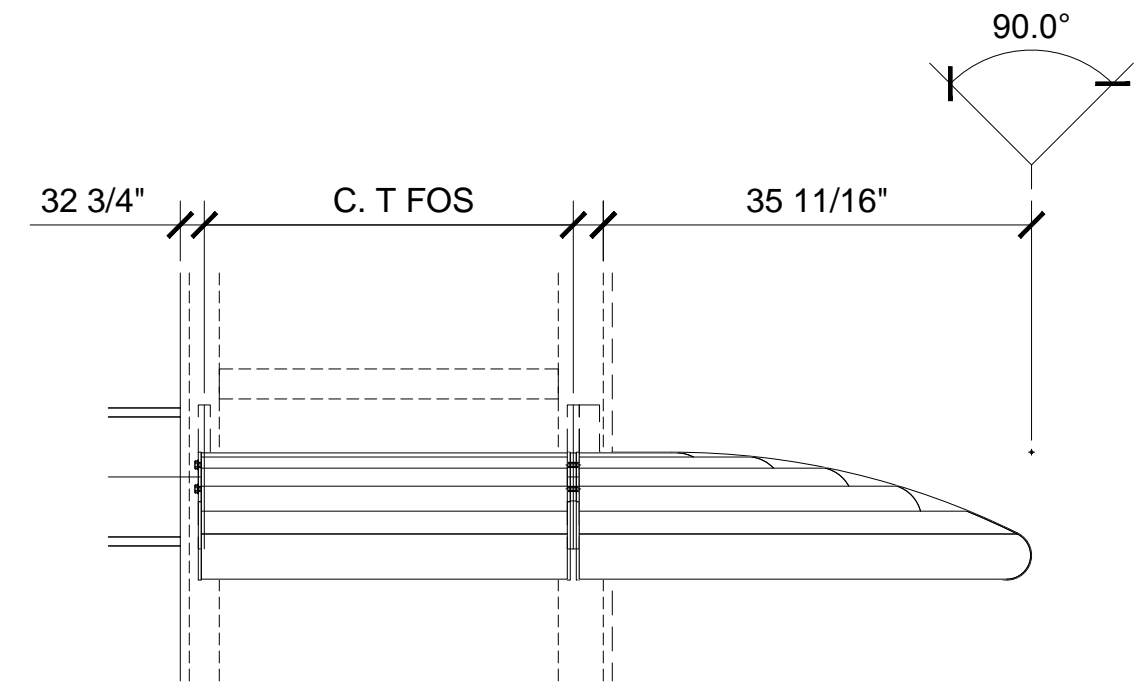


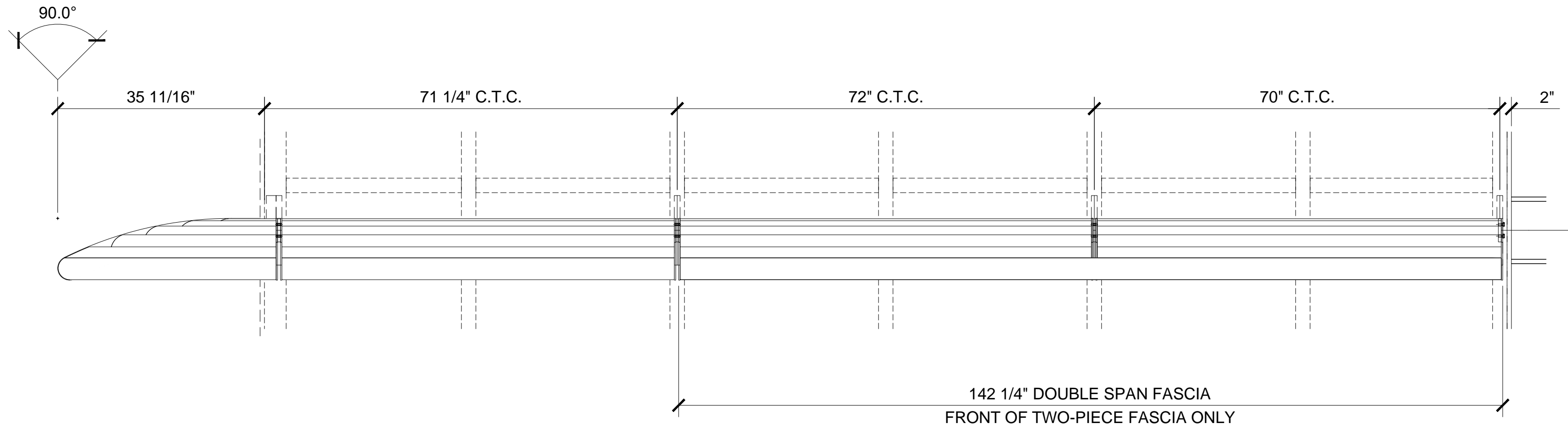
OPTIONAL CUSTOM CORNER



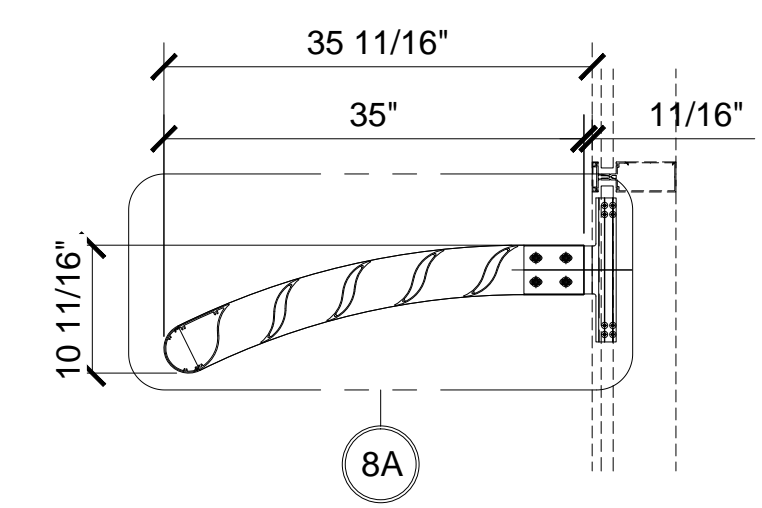
PLAN



ELEVATIONS



SECTION



CRL US ALUMINUM SUNSHADE SYSTEM 3600 SERIES / 3250 CURTAIN WALL

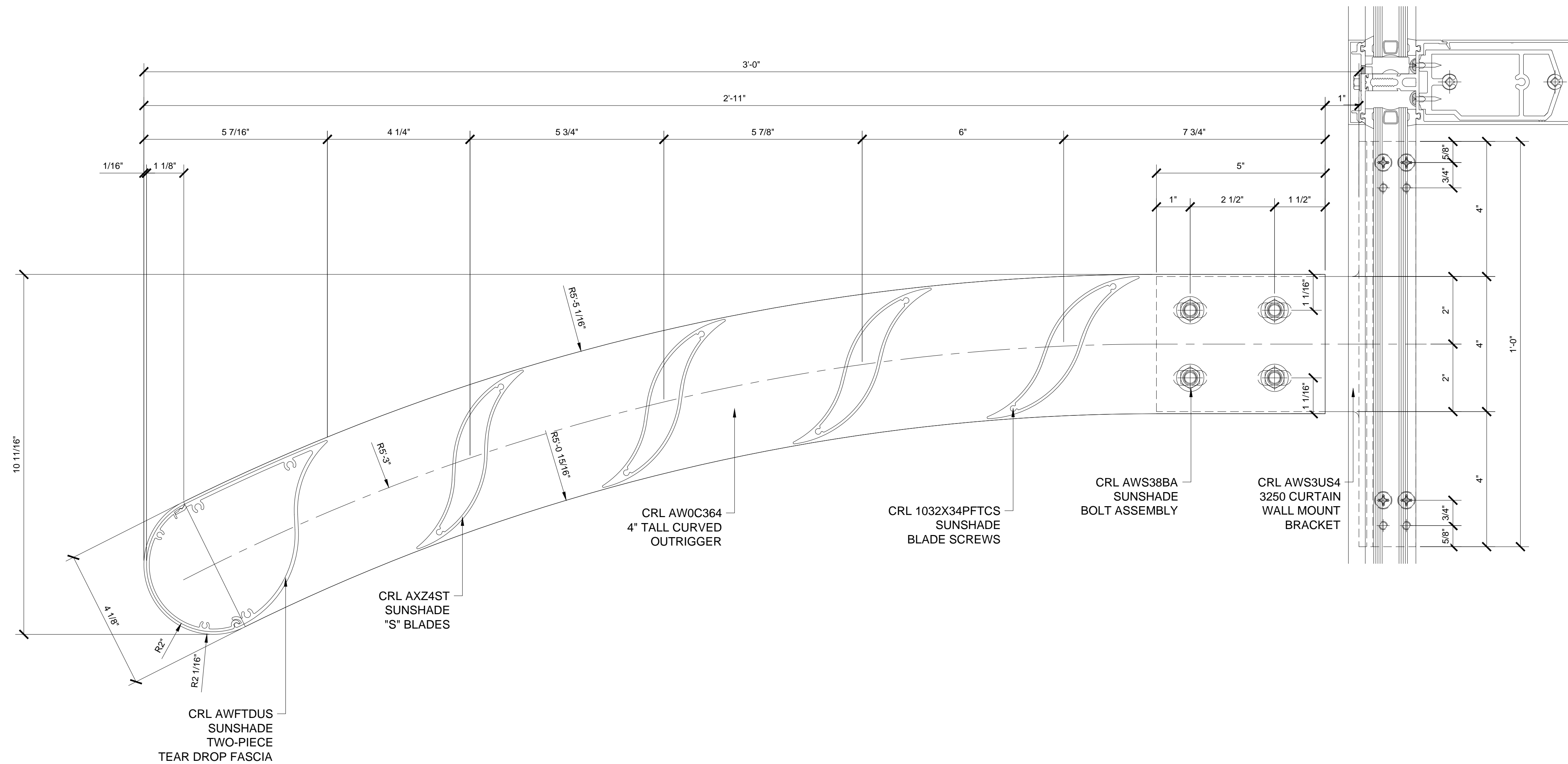
4" TALL CURVED OUTRIGGER WITH TWO-PIECE TEAR DROP FASCIA AND 1X6" "S" INFILL BLADES
 2 1/2" X 7" SERIES 3250 CURTAIN WALL FOR 1" GLASS

- | | | | |
|---|--|--|---|
| <p>OUTRIGGER</p> <ul style="list-style-type: none"> 9 STANDARD OUTRIGGER STYLES *OUTRIGGERS AVAILABLE IN FIVE STANDARD NOMINAL LENGTHS: 24", 30", 36", 42" AND 48" * CUSTOM HEIGHTS AND LENGTHS ARE AVAILABLE * CUSTOM CORNER OUTRIGGERS ARE AVAILABLE <p>FINISHES</p> <ul style="list-style-type: none"> 5 STANDARD FINISHES: * MILL * SATIN ANODIZED * DARK BRONZE ANODIZED * POWDER COAT * KYNAR PAINT | <p>MOUNTING BRACKET</p> <ul style="list-style-type: none"> * 5 DIFFERENT MOUNTING OPTIONS - WALL MOUNT BRACKET - UNIVERSAL CURTAIN WALL MOUNT - CURTAIN WALL MOUNT (MULLION WEB MOUNT) - STRUCTURAL SILICONE CURTAIN WALL MOUNT - STOREFRONT SURFACE MOUNT * CUSTOM MOUNTING BRACKETS ARE AVAILABLE * CUSTOM CORNER MOUNTING BRACKETS ARE AVAILABLE | <p>FASCIA</p> <ul style="list-style-type: none"> *14 DIFFERENT FASCIA OPTIONS - SQUARE TUBE FASCIA (2 STD. SIZES) - "C" CHANNEL FASCIA (2 STD. SIZES) - ROUND TUBE FASCIA (2 STD. SIZES) - BULLNOSE FASCIA (2 STD. SIZES) 6" BULLNOSE 12" BULLNOSE - TAPERED NOSE FASCIA - TEAR DROP TWO-PIECE FASCIA - SQUARE TWO-PIECE FASCIA - ROUND TWO-PIECE FASCIA | <p>INFILL BLADES</p> <ul style="list-style-type: none"> * 37 DIFFERENT INFILL BLADE OPTIONS - AIR FOIL BLADES (5 STD. SIZES) - ROUND TUBE BLADES (5 STD. SIZES) - SQUARE TUBE BLADES (5 STD. SIZES) - RECTANGULAR TUBE BLADES (5 STD. SIZES) - FLAT BAR EXTRUDED BLADES (12 STD. SIZES) 1/8" THICK BLADES (5 SIZES) 1/4" THICK BLADES (7 SIZES) - "C", "S" AND "Z", EXTRUDED BLADES "C" SHAPED BLADES (1 SIZE) "S" SHAPED BLADES (2 SIZES) "Z" SHAPED BLADES (2 SIZES) |
|---|--|--|---|

Description:
 CRL U.S. ALUMINUM
 ARCHITECTURAL
 SUNSHADE SYSTEMS
 SERIES 3600

Drawn By: VM
 Date: 01/17/14
 Scale: 3/4" = 1'-0"
 File Name: CRLUSAL SS 3600.dwg

Sheet



Revisions By:

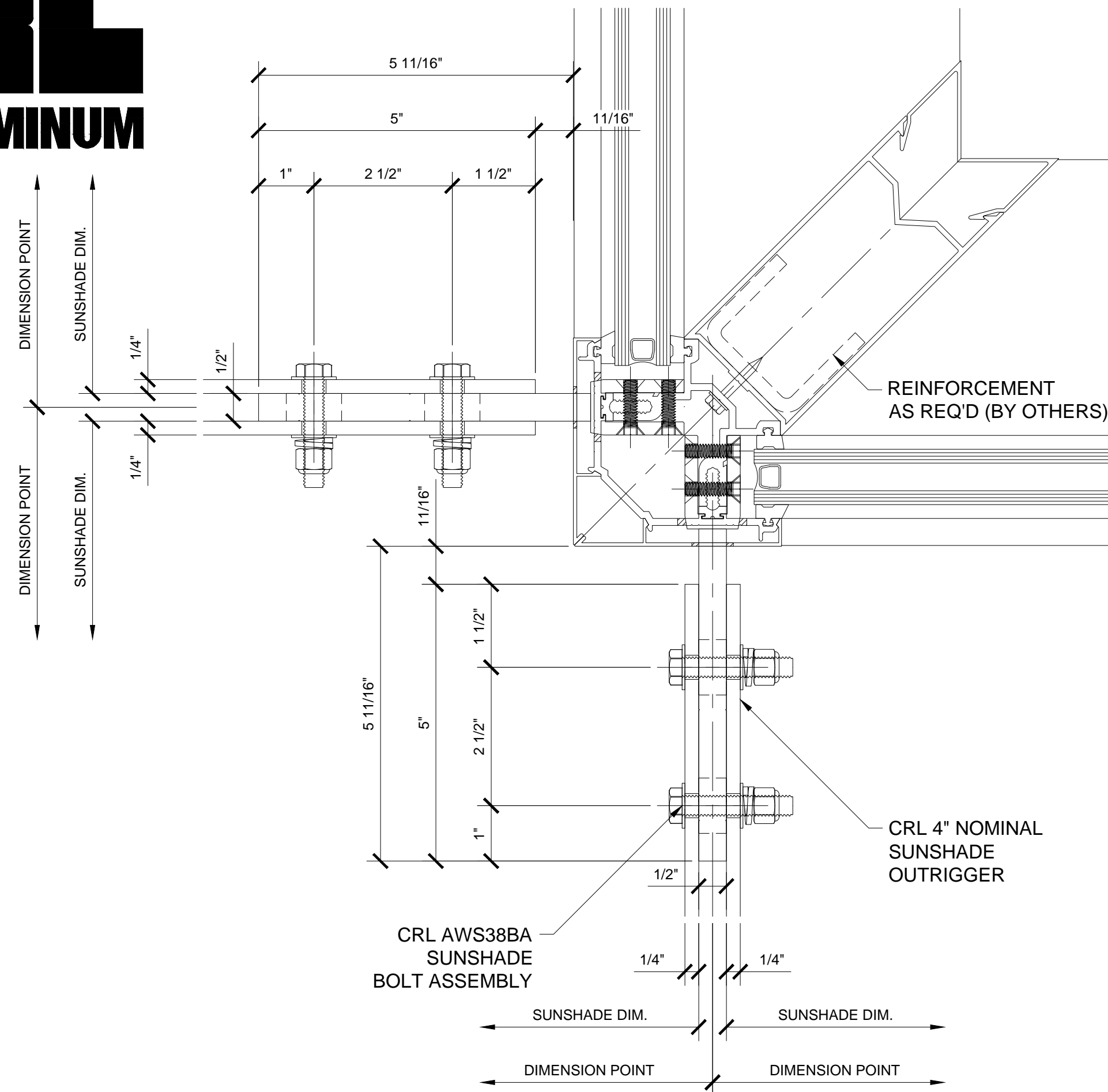
Description:
CRL U.S. ALUMINUM
ARCHITECTURAL
SUNSHADE SYSTEMS
SERIES 3600

Drawn By: VM
Date: 01/17/14
Scale: 6" = 1'-0"
File Name: CRLUSAL SS 3600.dwg

Sheet

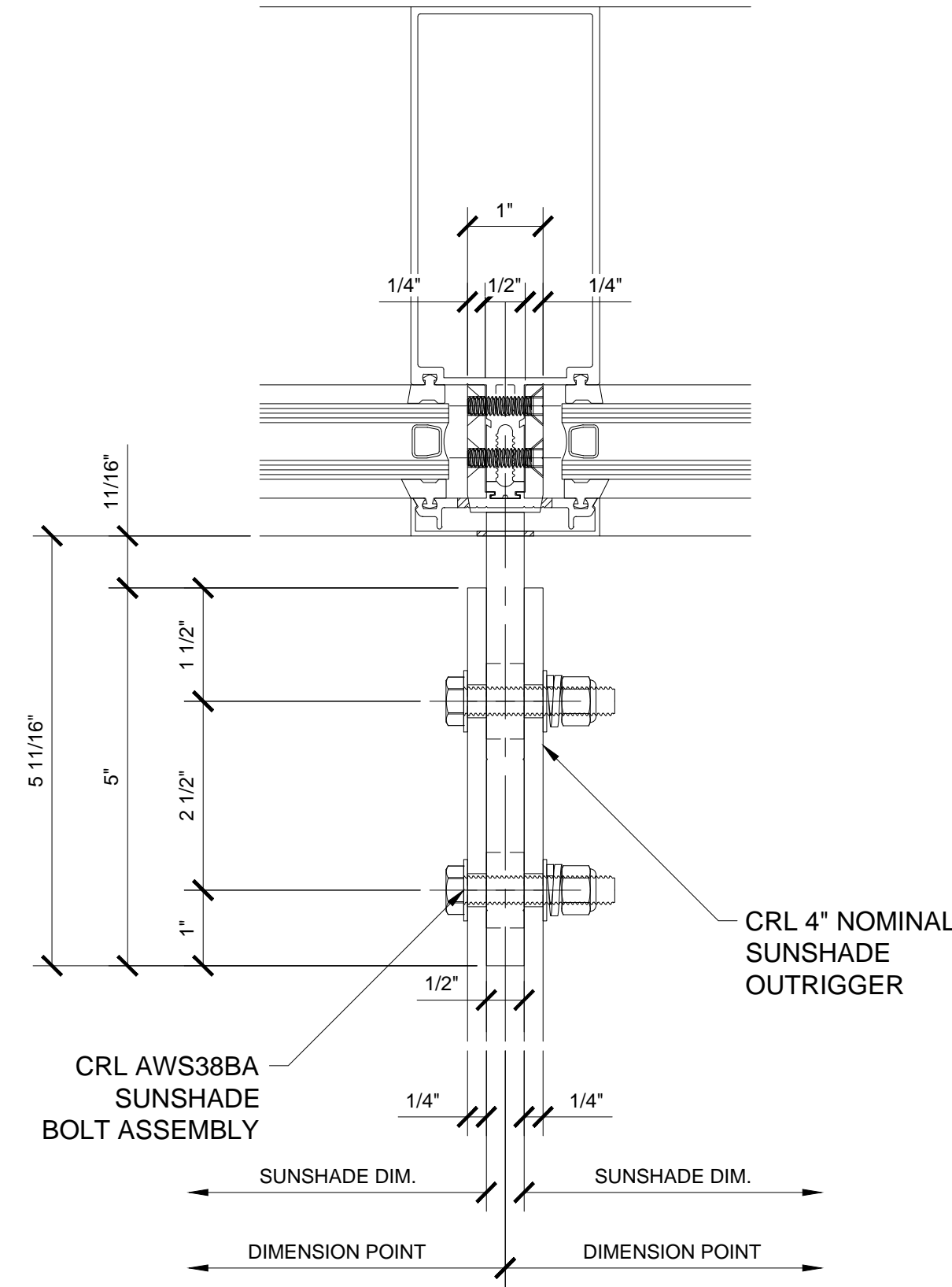
CRL 36" SUNSHADE SECTION DETAIL

4" TALL CURVED OUTRIGGER WITH TWO-PIECE TEAR DROP FASCIA AND 1X6" "S" INFILL BLADES / SERIES 3250 CURTAIN WALL



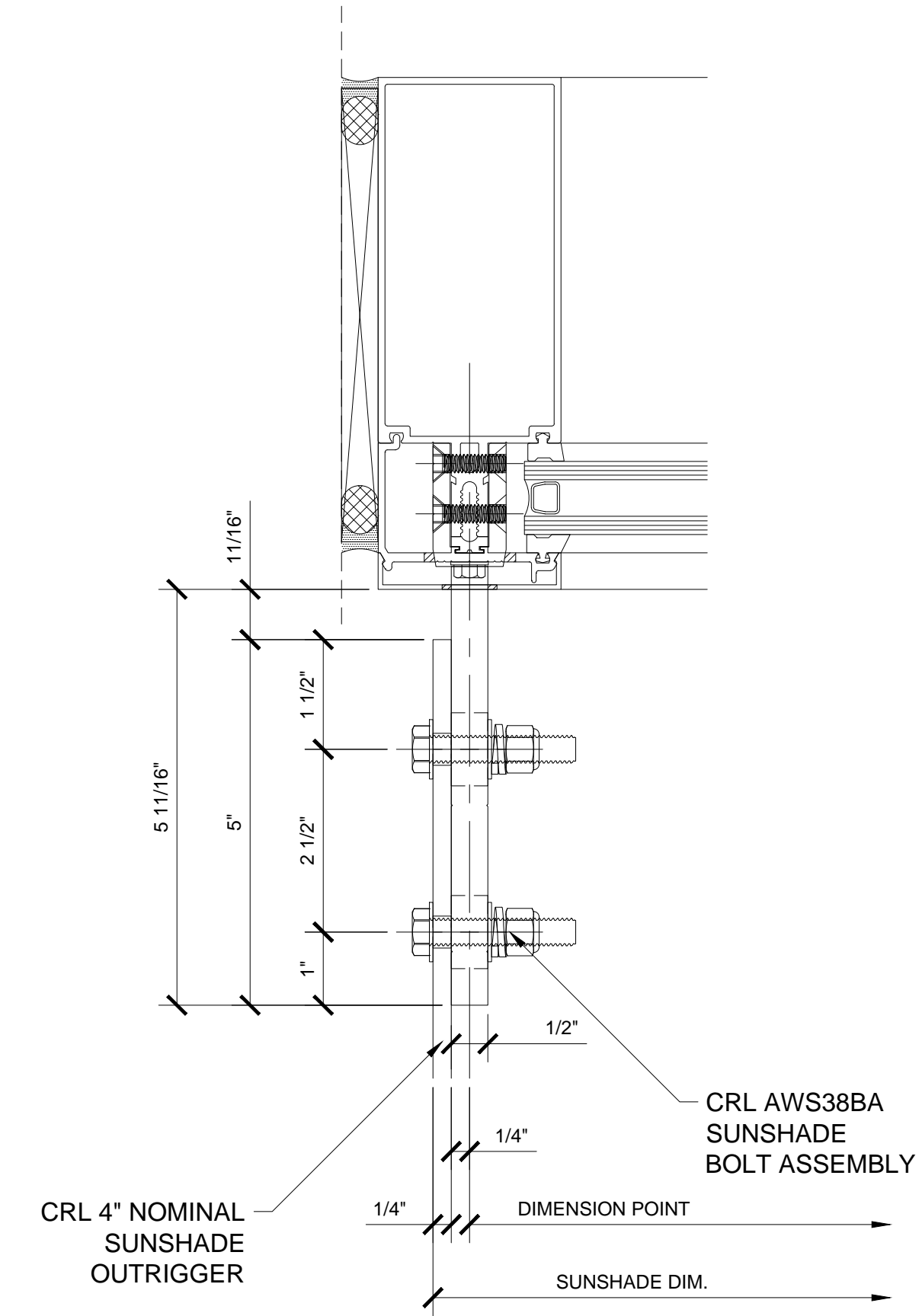
TYPICAL CORNER 4" BRACKET DETAILS

CRL AWSB3US4 BRACKET AT CUSTOM CORNER SUNSHADE



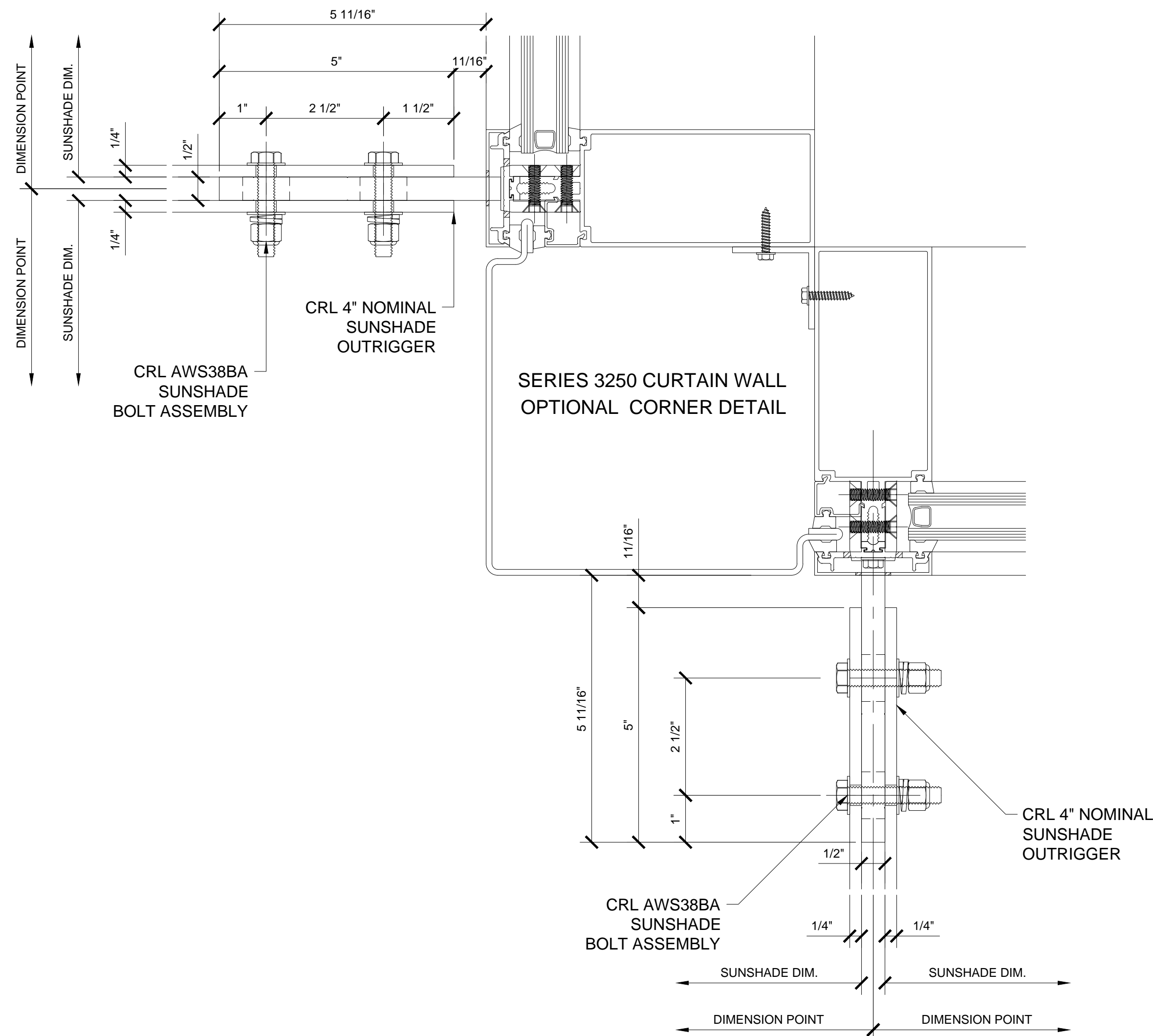
TYPICAL INTERMEDIATE 4" BRACKET DETAILS

CRL AWSB3US4 3250 SERIES CURTAIN WALL MOUNT BRACKET



TYPICAL END 4" BRACKET DETAILS

CRL AWSB3US4 3250 SERIES CURTAIN WALL MOUNT BRACKET



**SERIES 3250 CURTAIN WALL
OPTIONAL CORNER DETAIL**

