



# INSTALLATION INSTRUCTIONS

[crlaurence.com](http://crlaurence.com)

# CRL OTS OVERHEAD TRACK SLIDING DOOR SYSTEM



NOTE: Height reduced for clarity.

# TABLE OF CONTENTS

SLIDING PANEL GLASS FABRICATION ..... 2

CONFIGURATIONS ..... 3

SYSTEM LIMITATIONS ..... 3

TOP TRACK INSTALLATION ..... 4

OPTIONAL SIDELITE NARROW HEADER INSTALLATION ..... 4

RECESSED GUIDE CHANNEL AND SIDELITE INSTALLATION ..... 5

OPTIONAL SURFACE MOUNTED SADDLE THRESHOLD ..... 6

SLIDING PANEL ASSEMBLY ..... 7

    Top Rail Installation ..... 7

    Bottom Rail Installation ..... 7

SLIDING PANEL INSTALLATION ..... 8 - 9

FINAL ASSEMBLY ..... 10

**IMPORTANT: READ THIS MANUAL THOROUGHLY BEFORE BEGINNING INSTALLATION**

## INTRODUCTION

Congratulations on your selection of the CRL Sliding Door System. This system has been designed to work in a variety of applications. Ease of installation and adjustment for height and alignment by incorporating all the features of the CRL Wedge-Lock® Door Rail System make this your best choice in Overhead Track Sliding Doors.

By following the instructions in this manual, we believe you will experience a trouble-free installation of the system. Should you have any questions about this system or any CRL product, please contact us at (800) 421-6144 or visit our web site at [crlaurence.com](http://crlaurence.com).

## SLIDING PANEL GLASS FABRICATION

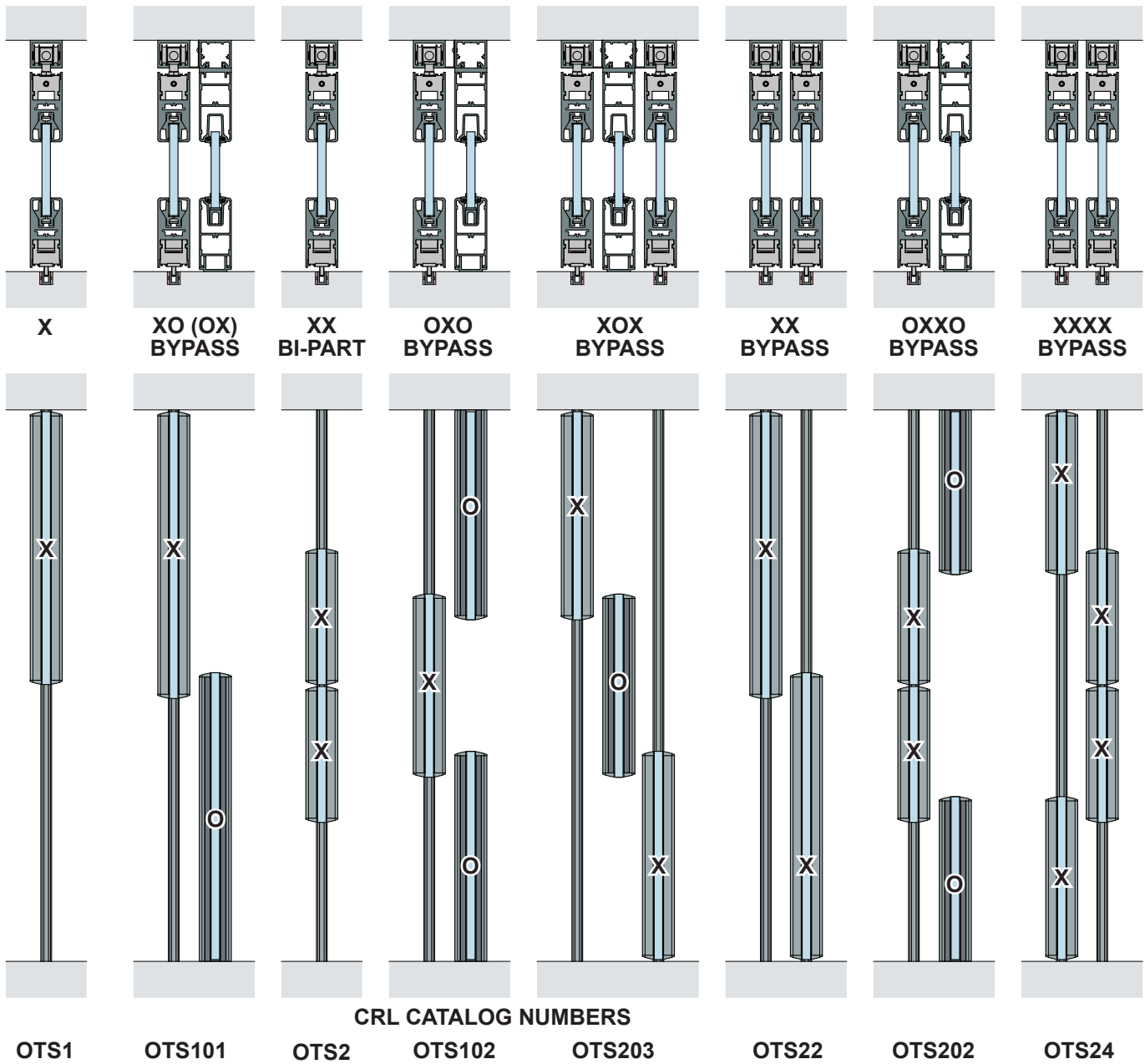
The following dimensions are for OTS systems with 4" top and bottom rails. The Glass width is equal to the panel width. See Page 3 for minimum and maximum widths.

		Glass Height	Glass Width
Recessed Guide Channel	with Clad	Opening Height Minus 8-3/16" (208 mm)	Sliding Panel Width
	without Clad	Opening Height Minus 8-1/8" (210 mm)	Sliding Panel Width
Surface Mounted Saddle Threshold	with Clad	Opening Height Minus 8-11/16" (220 mm)	Sliding Panel Width
	without Clad	Opening Height Minus 8-5/8" (219 mm)	Sliding Panel Width

# CONFIGURATIONS

Available options and Catalog Numbers shown below.

X = SLIDING PANEL O = FIXED PANEL



## SYSTEM LIMITATIONS

Maximum Panel Width: 72" (1829 mm).

Minimum Panel Width: 16-3/4" (425 mm).

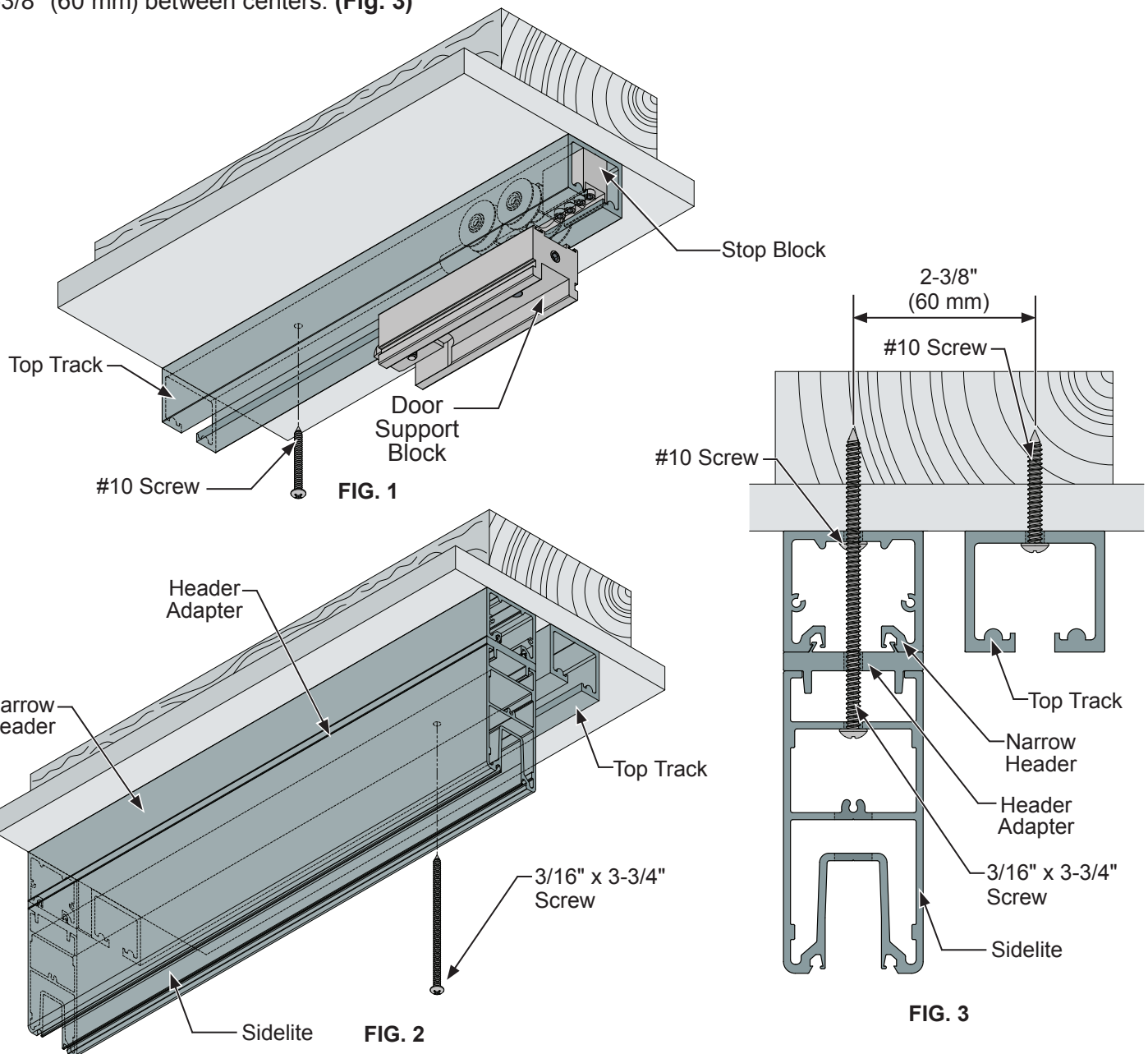
Maximum Panel Weight: not to exceed 225 lbs. (102 kg).

## TOP TRACK INSTALLATION

The top track assembly is packed complete with door support blocks and stop blocks installed. **Do Not** remove them. Secure the top track onto the top surface with #10 screws (not provided). Screw lengths should be a minimum of 1" (25 mm) and the head of the opening must be of sufficient strength to withstand the load from the top hung panels. **(Fig. 1)** When using multiple top tracks space them at 2-3/8" (60 mm) between centers.

## OPTIONAL SIDELITE NARROW HEADER INSTALLATION

The narrow header is attached to the top surface with #10 screws (not provided). Screw lengths should be a minimum of 1" (25 mm). The header adapter is snap-fitted into the header. Drill clearance holes for the fasteners, they should be slightly larger than the diameter of the fastener. Drill a second hole large enough for the tool that is needed to drive the mounting fastener but **Do Not** drill through the last web at the bottom of the rail. Make sure the fastener is long enough to make proper structural embedment into the mounting surface and insert the fastener. **(Fig. 2)** The spacing between the narrow header and top track should be 2-3/8" (60 mm) between centers. **(Fig. 3)**



## RECESSED GUIDE CHANNEL AND SIDELITE INSTALLATION

1. The guide channel is set into the floor and is positioned directly under the center of the top track. **(Fig. 4)** When using multiple tracks space them at 2-3/8" (60 mm) between centers.
2. Position and secure the sidelite saddle to the floor with #10 screws (not provided), screw lengths should be a minimum of 1" (25 mm). Position the sidelite onto the saddle and drill clearance holes for the fasteners, they should be slightly larger than the diameter of the fastener. Drill a second hole large enough for the tool that is needed to drive the mounting fastener but **Do Not** drill through the last web at the bottom of the rail. Make sure the fastener is long enough to make proper structural embedment into the mounting surface and insert the fastener. **(Fig. 5)** The spacing between the sidelite and guide channel should be 2-3/8" (60 mm) between centers. **(Fig. 6)**

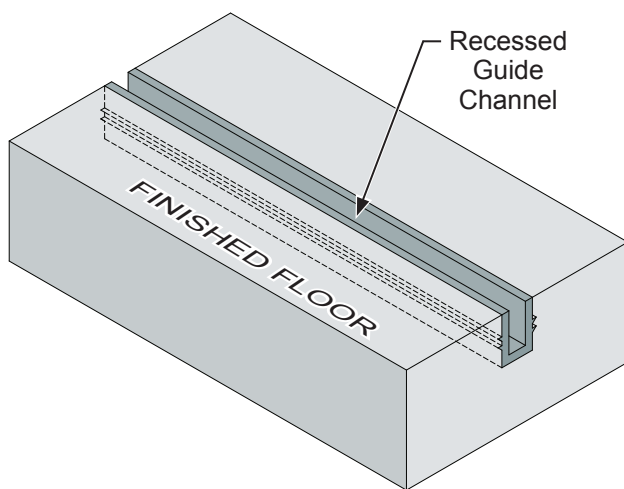


FIG. 4

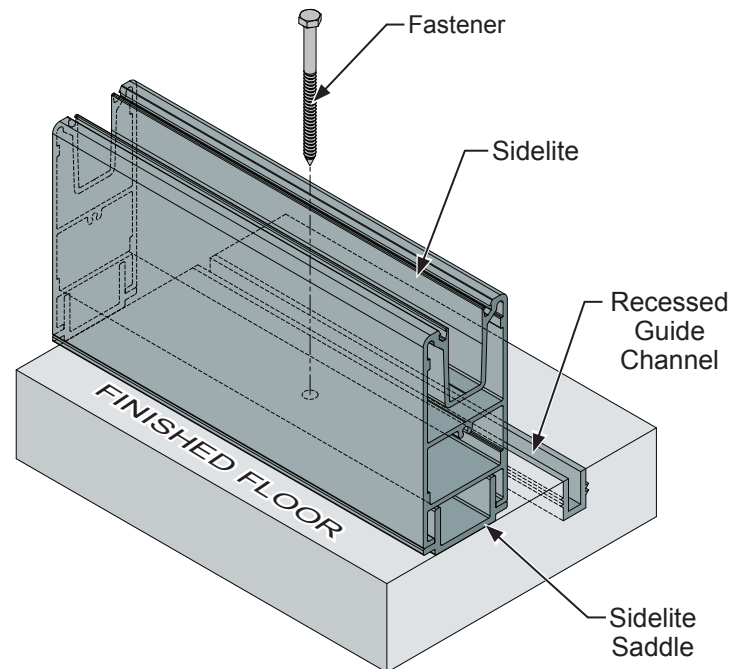


FIG. 5

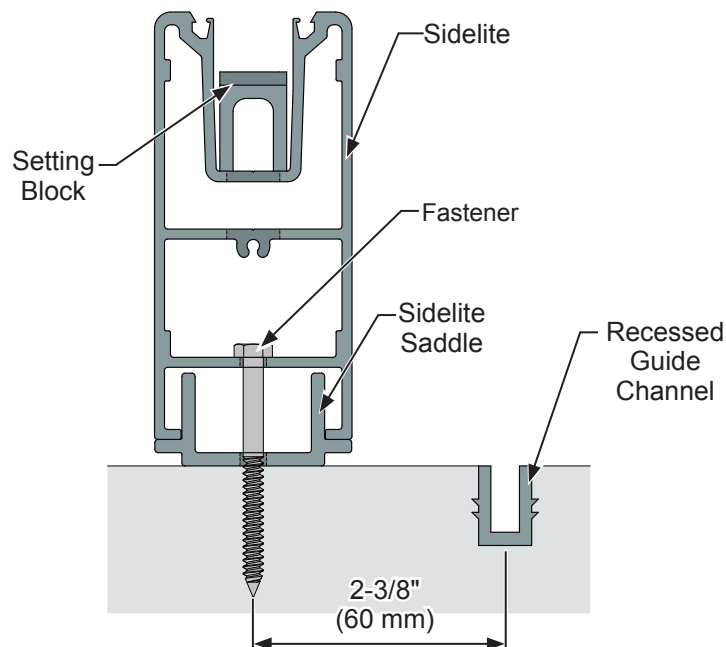
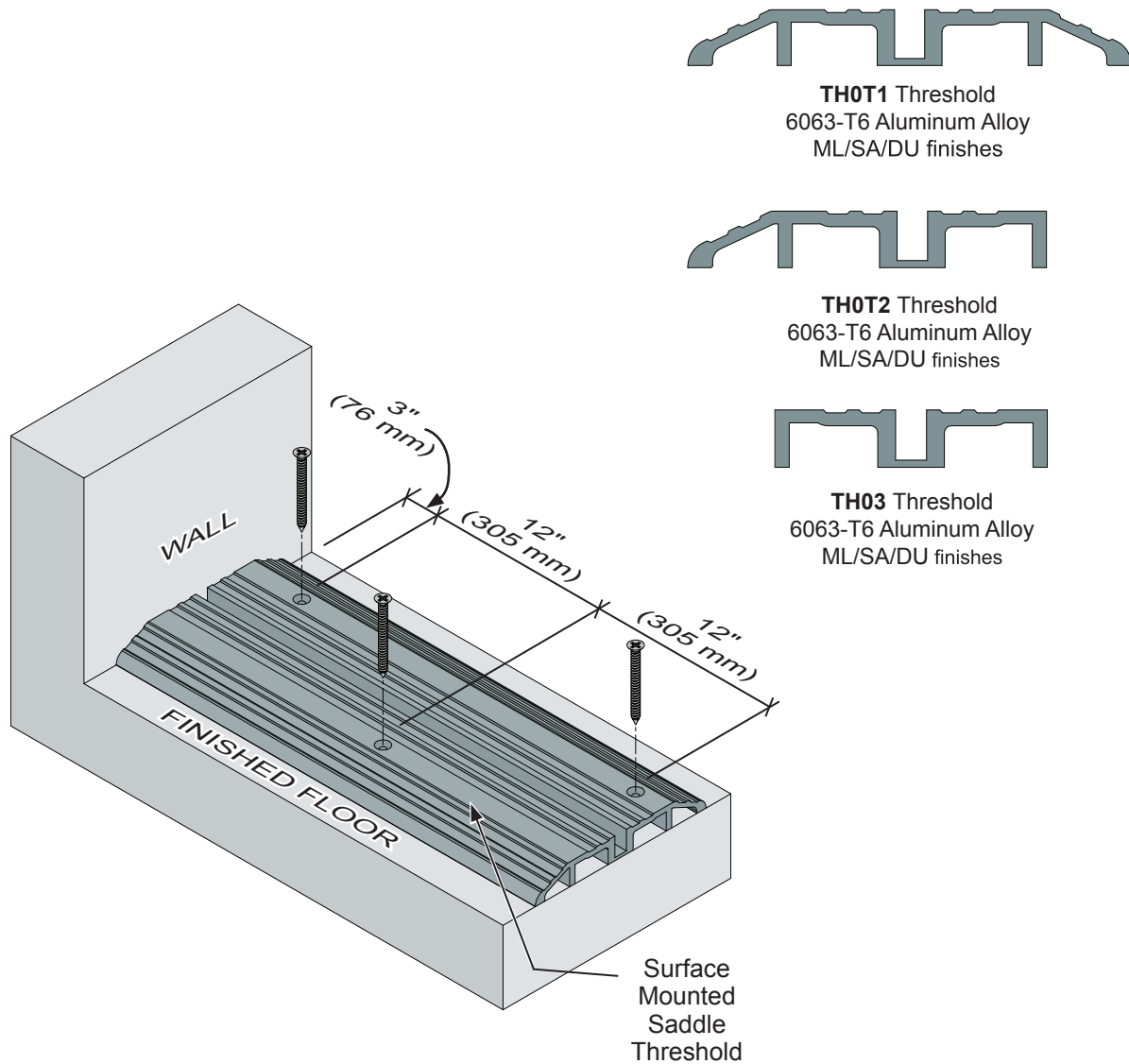


FIG. 6

## OPTIONAL SURFACE MOUNTED SADDLE THRESHOLD

**TH0T1**, **TH0T2**, and **TH0T3** optional surface mounted saddle thresholds do not require notching of the floor substrate. They are factory machined at the pivot end but must be cut to length at the other.

The surface mounted saddle threshold is fastened with masonry screws at 12" (305 mm) on center and 3" (76 mm) from the wall onto the floor, positioned directly under the center of the top track. (**FIG. 6**)



**FIG. 6**

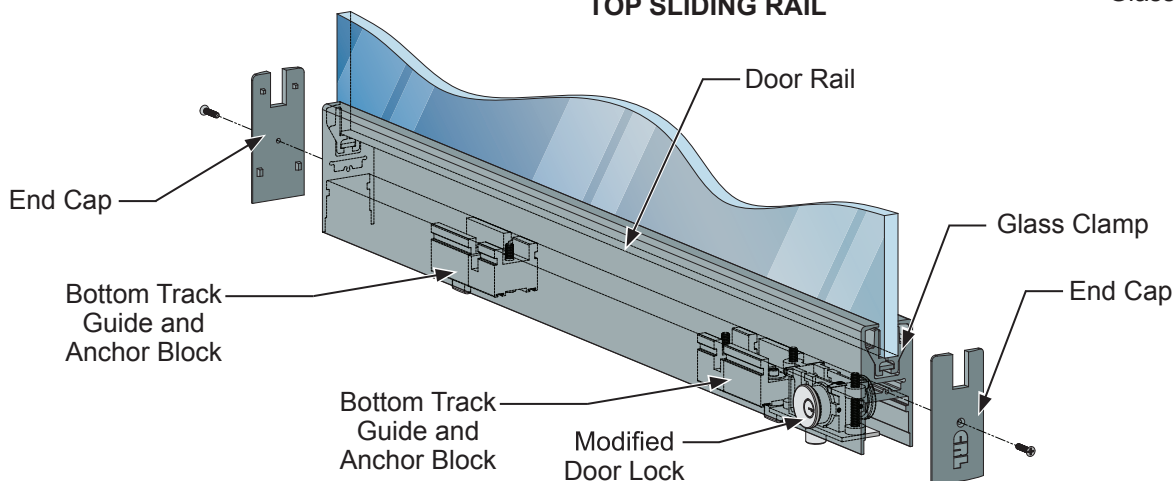
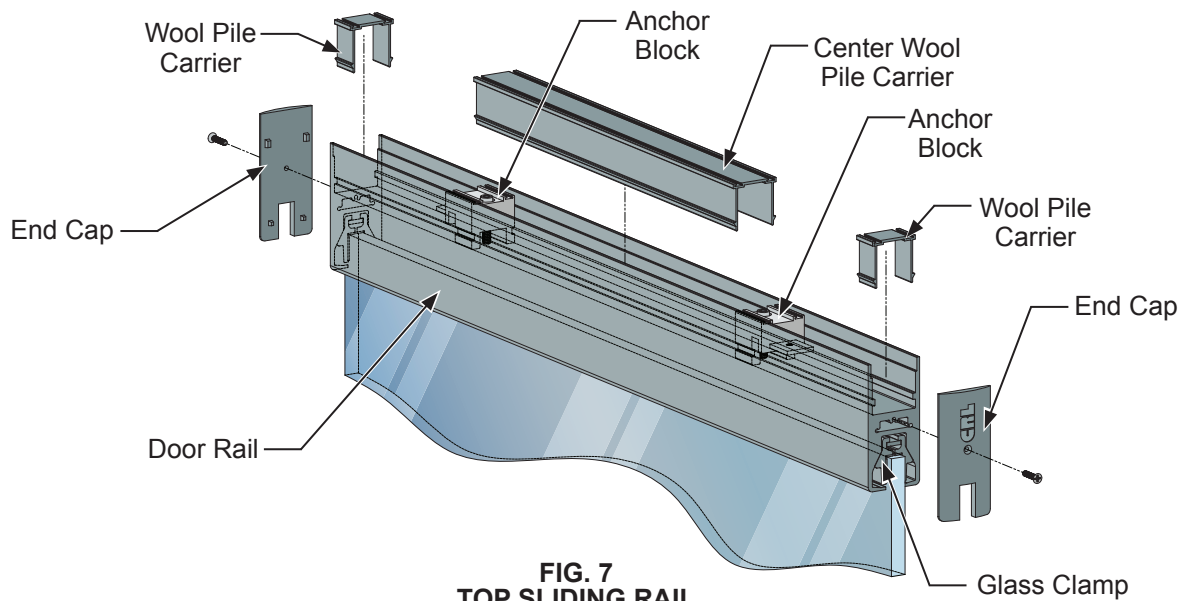
## SLIDING PANEL ASSEMBLY

### Top Rail Installation

1. Remove both End Caps from the rail. **(Fig. 7)**
2. Remove the wool pile carrier from the rail. **(Fig. 7)**
3. Assemble the rail to the glass as directed in the rail assembly instructions included in the packaging.
4. Re-install the center wool pile carrier only.

### Bottom Rail Installation

5. Remove both End Caps from the rail. **(Fig. 8)**
6. Assemble the rail to the glass as directed in the rail assembly instructions included in the packaging.
7. Be sure that the bottom track guide is aligned with the anchor block in the top rail.



# SLIDING PANEL INSTALLATION

1. Lift the sliding panel and insert the bottom slide pin assembly on the door into the recessed guide channel or into the optional surface mounted saddle threshold. **(FIG. 9)**
2. Align the end of the top rail with the door support block. Slide the door support block into the top rail until it contacts with the anchor block. While maintaining contact, tighten the locking screw. Repeat this process at the other end of the top rail. **(FIG. 10)**
3. Insert the wool pile Carriers into each end of the door rail and replace the End Caps. **(FIG. 11)**

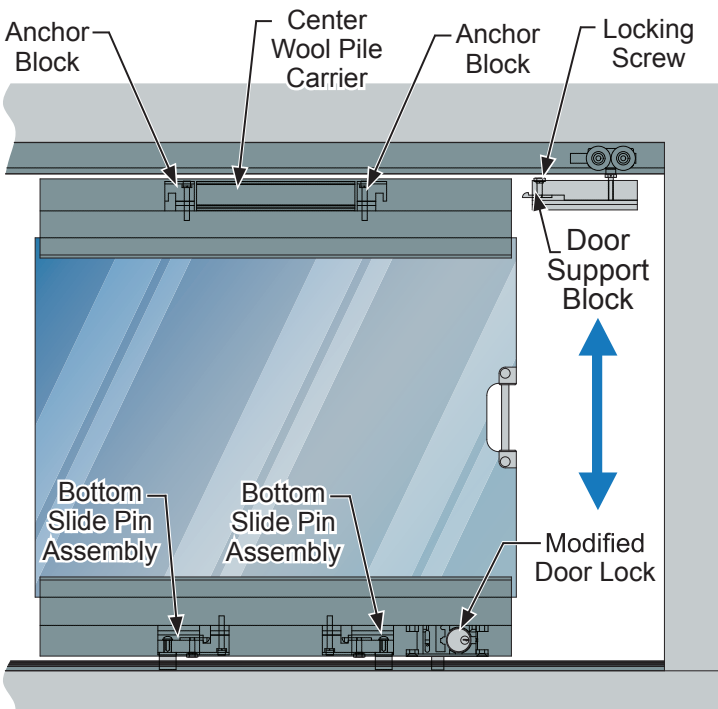


FIG. 9

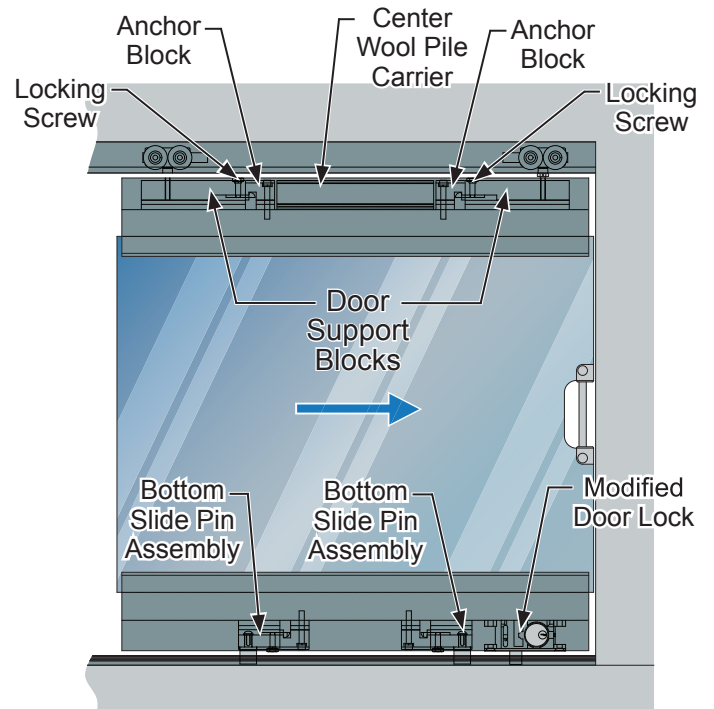


FIG. 10

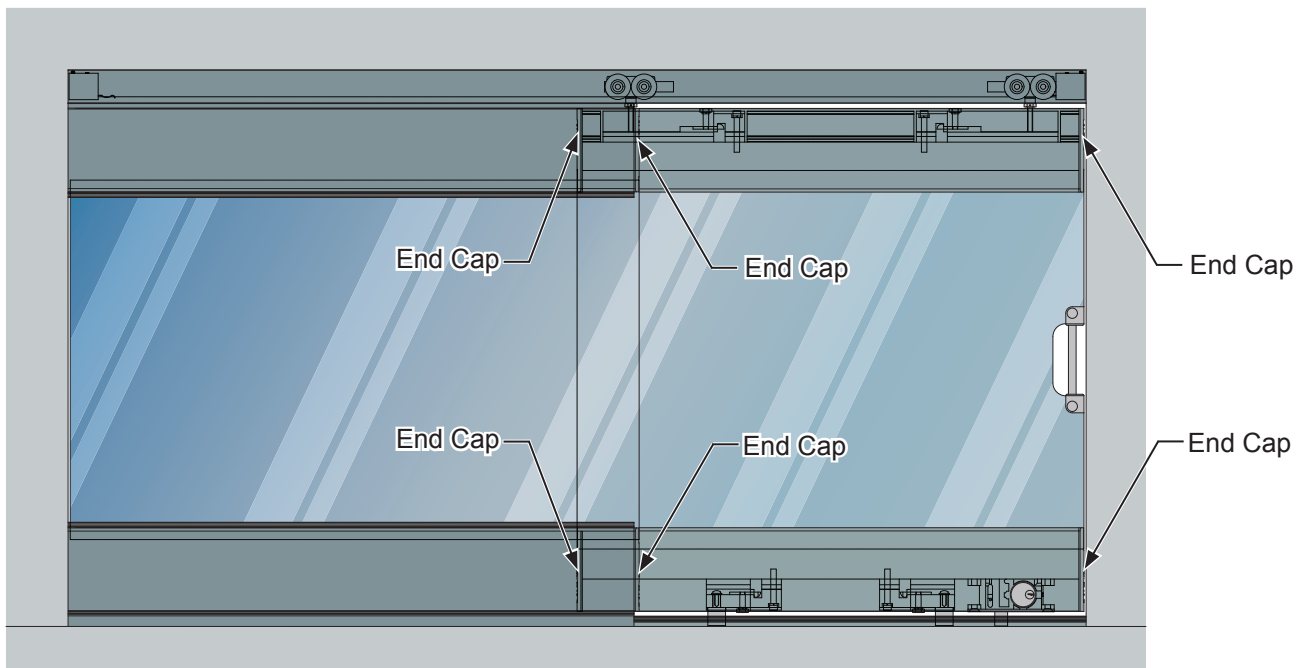


FIG. 11



## SLIDING PANEL INSTALLATION (CONTINUED)

1. Slide the door into the closed position and mark the modified door lock location on the recessed guide channel (**Fig. 12**) or on the optional surface mounted saddle threshold. (**Fig. 13**) Slide the door to the side and drill a 3/4" (19 mm) hole to the appropriate depth.
2. If height adjustment is required, rotate the height adjustment nut until desired height is achieved. (**Fig. 14**)

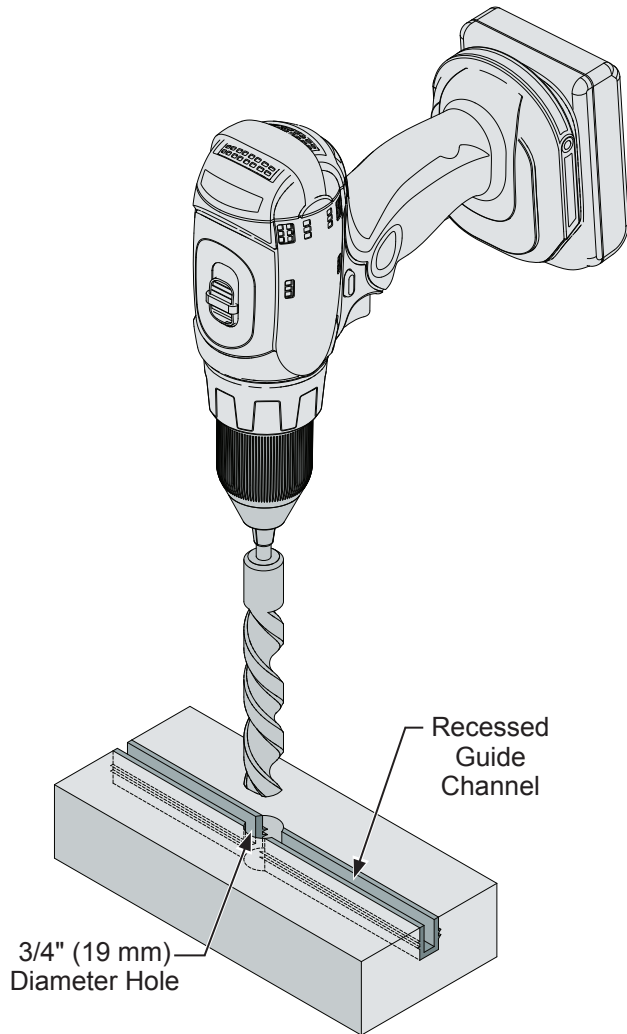


FIG. 12

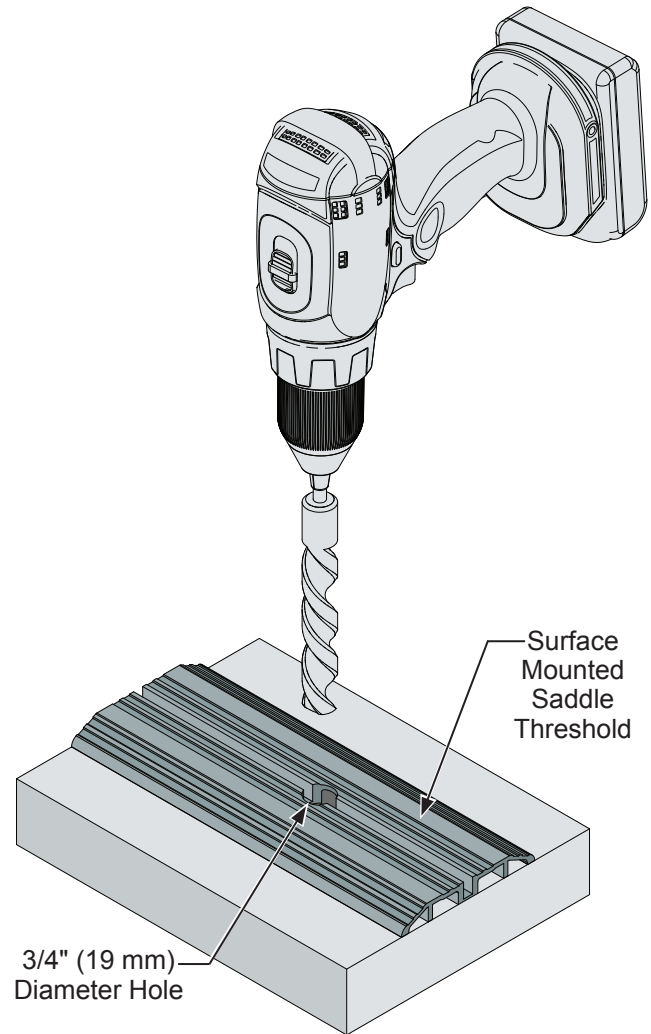


FIG. 13

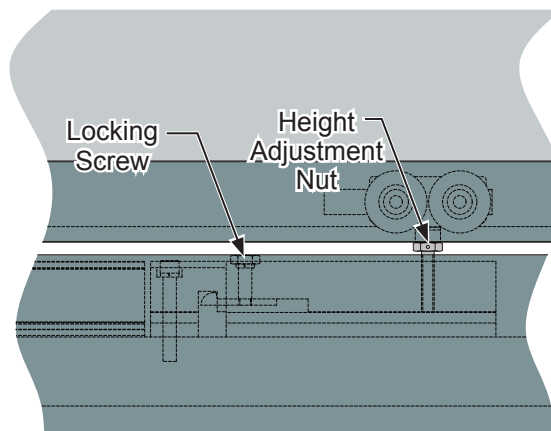


FIG. 14

## FINAL ASSEMBLY

1. The door must be in the closed position. Move the stop block against the door support block so that the spring is under the roller.
2. Lock the stop block by tightening the two securing screws. Adjust the breakaway tension with the spring adjustment screw. Open the door and repeat the above procedure.

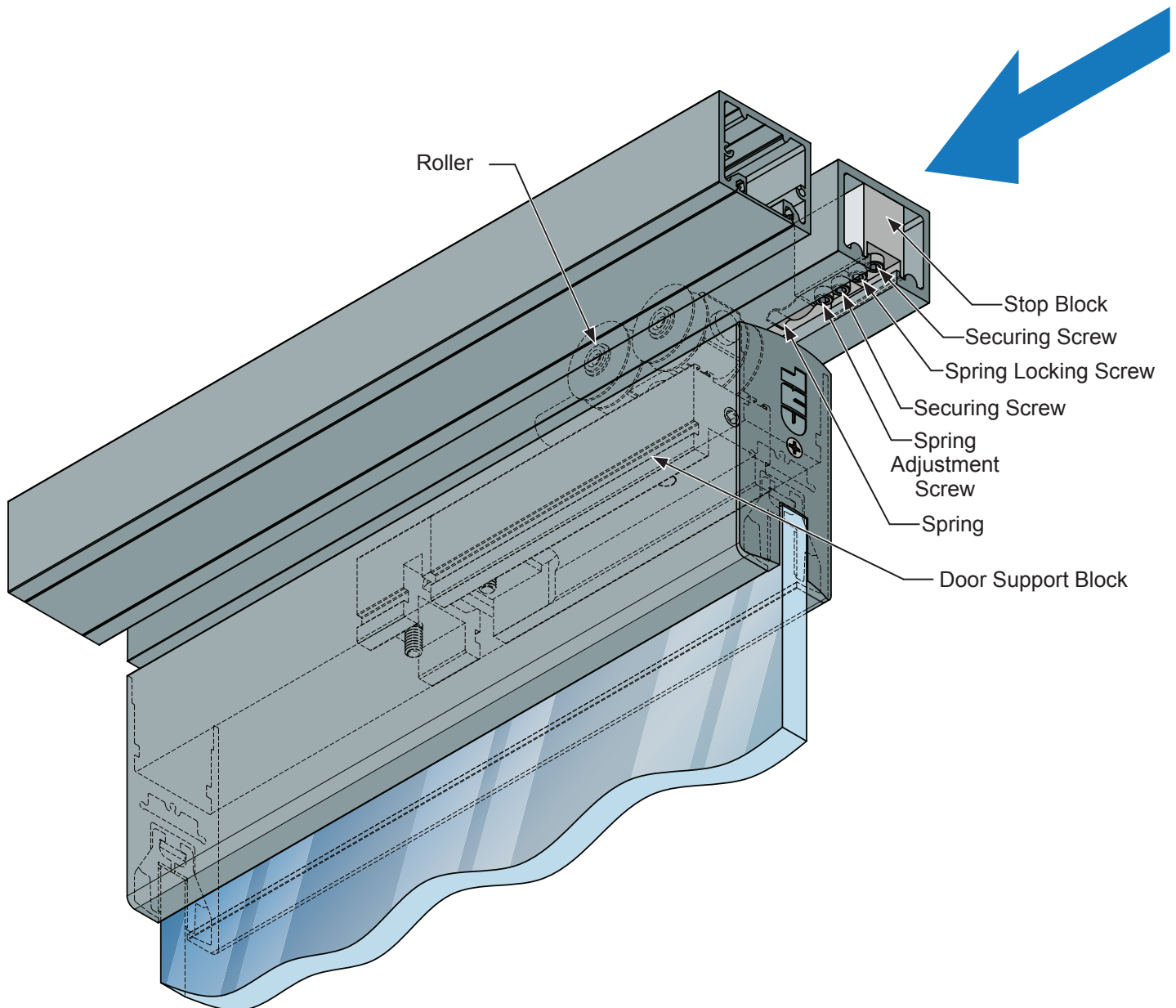


FIG. 15