

# CRL ARS ALUMINUM RAILING SYSTEM FOR GLASS

\* SERIES 100, 150, 200, 200X, 300, 300X, 320, 350, 400 AND 500

\* DESIGNED TO ACCEPT 1/4" TO 1/2" TEMPERED GLASS (WET SET)

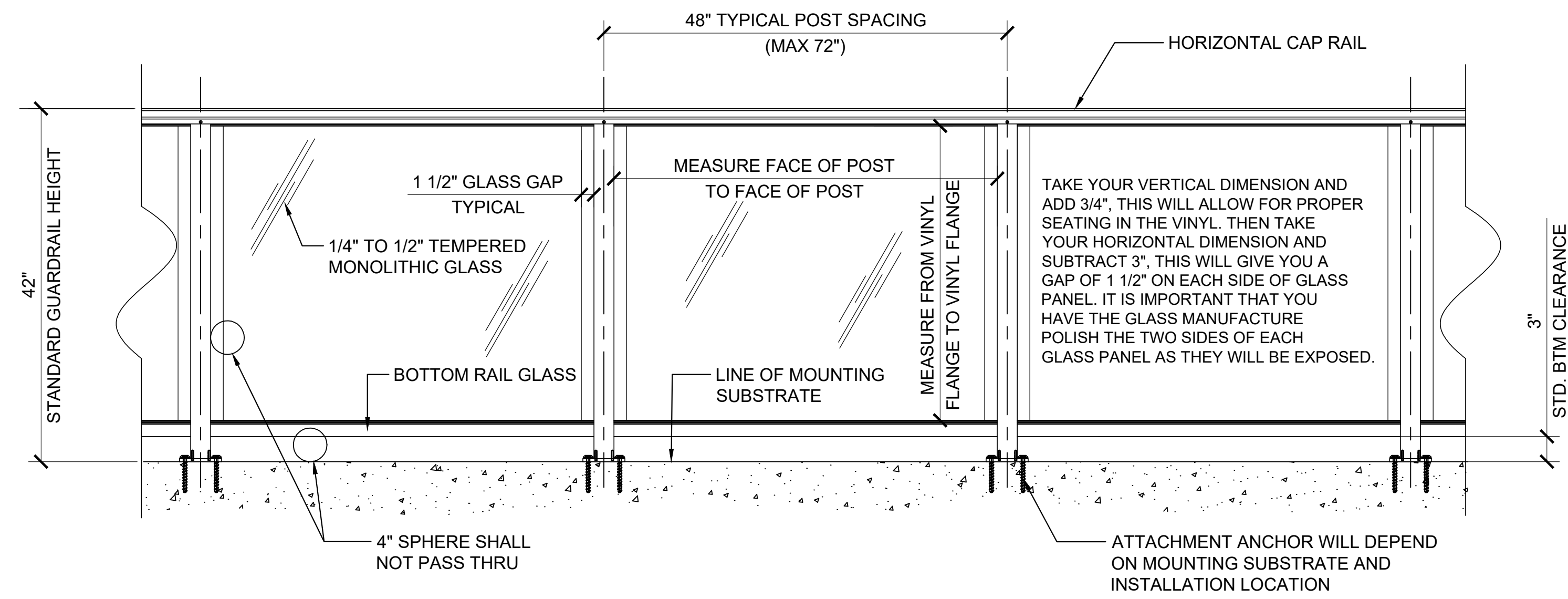
\* 2 3/8" SQUARE STD POST, TRIMLINE POST AND HEAVY WALL POST

\* TWO STANDARD POSTS 36" & 42" HEIGHT WITH CUSTOM HEIGHTS AVAILABLE

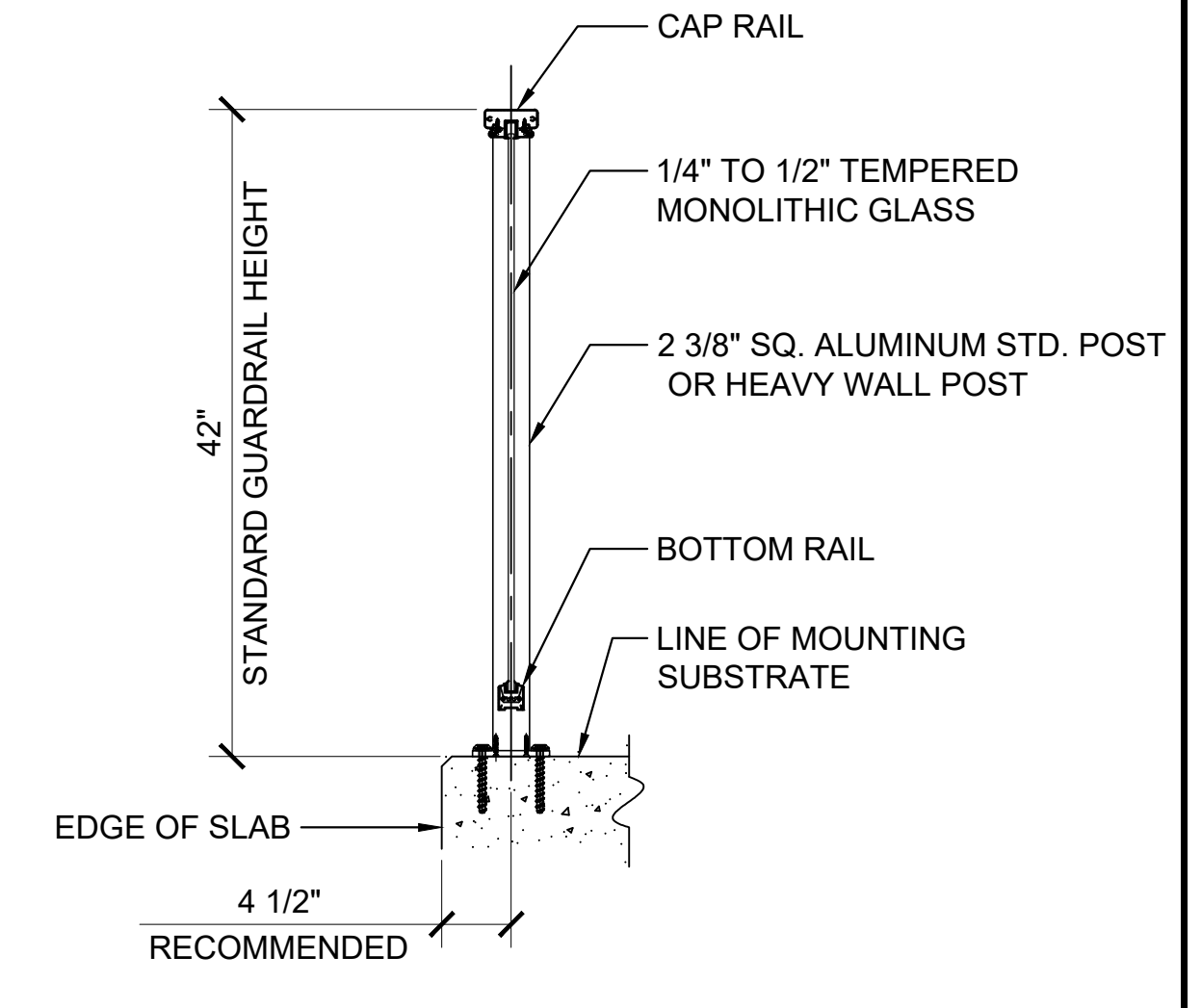
\* SEVEN STANDARD COLORS, CLEAR ANODIZED, MILL ALUMINUM AND CUSTOM POWDER COAT COLORS AVAILABLE

## STRUCTURAL DISCLAIMER:

ALL CUSTOMERS WHO IN ANY WAY UTILIZE THIS PRODUCT ARE SOLELY RESPONSIBLE TO CONSULT A STRUCTURAL ENGINEER TO DETERMINE THE SUITABILITY OF THE PRODUCT FOR THE INTENDED USE AND SITE CONDITIONS. ALL INSTALLERS MUST BE QUALIFIED AND HAVE PROFESSIONAL KNOWLEDGE ABOUT COMPLIANCE WITH LOCAL, STATE AND FEDERAL REGULATIONS, SAFETY FACTORS, AND THE APPROPRIATE CHOICE OF FIXING MATERIAL AND PROCEDURES.

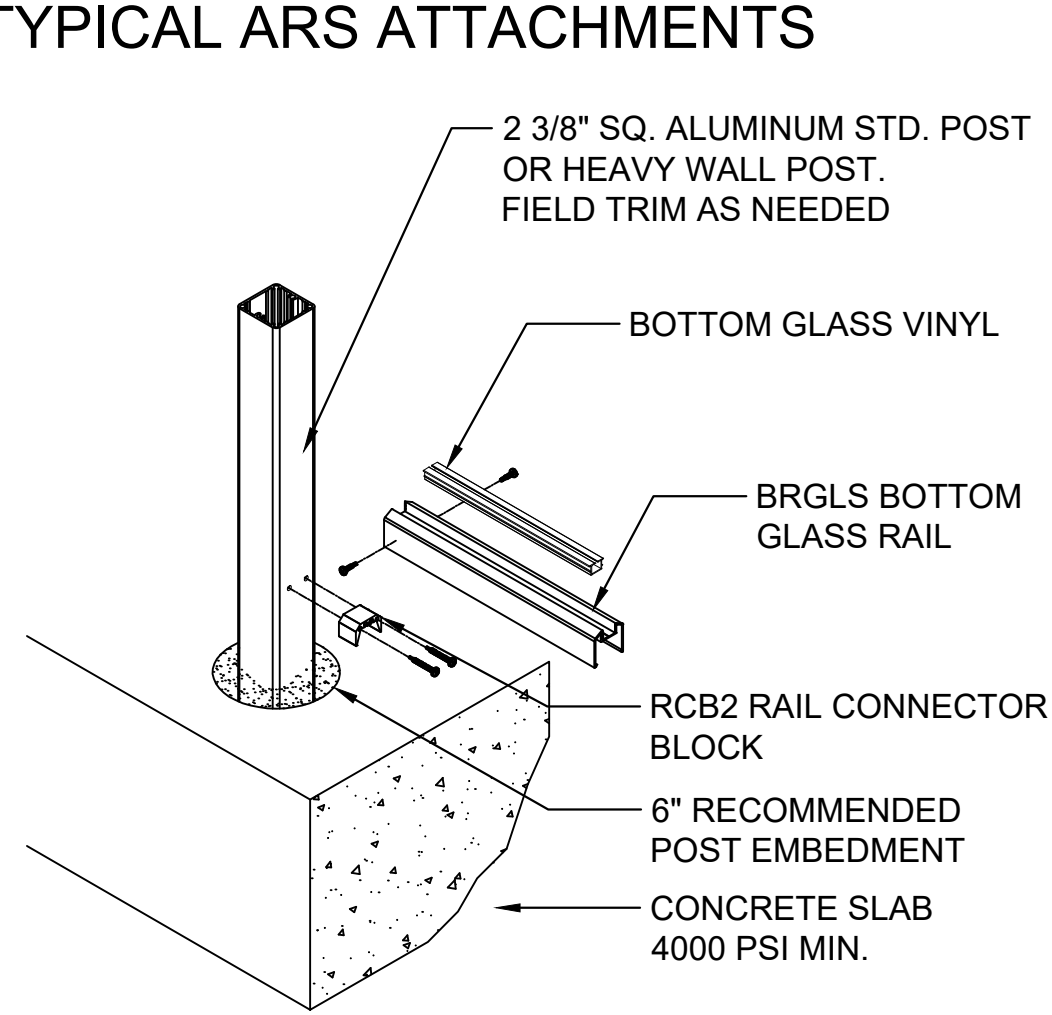


1 TYPICAL ALUMINUM RAILING ELEVATION  
1" = 1'-0" ARCH. REF.: N/A

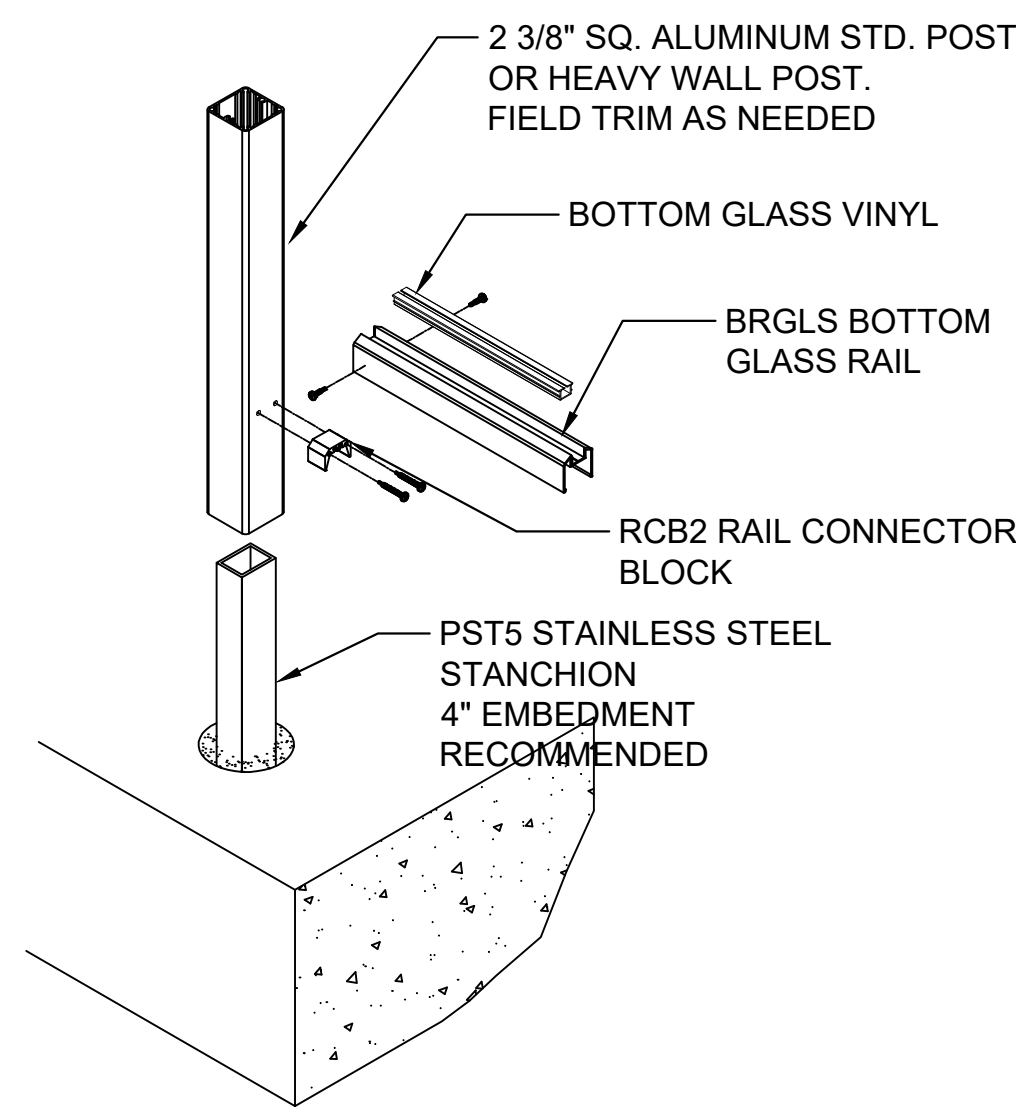


2 TYPICAL SECTION  
1" = 1'-0" ARCH. REF.: N/A

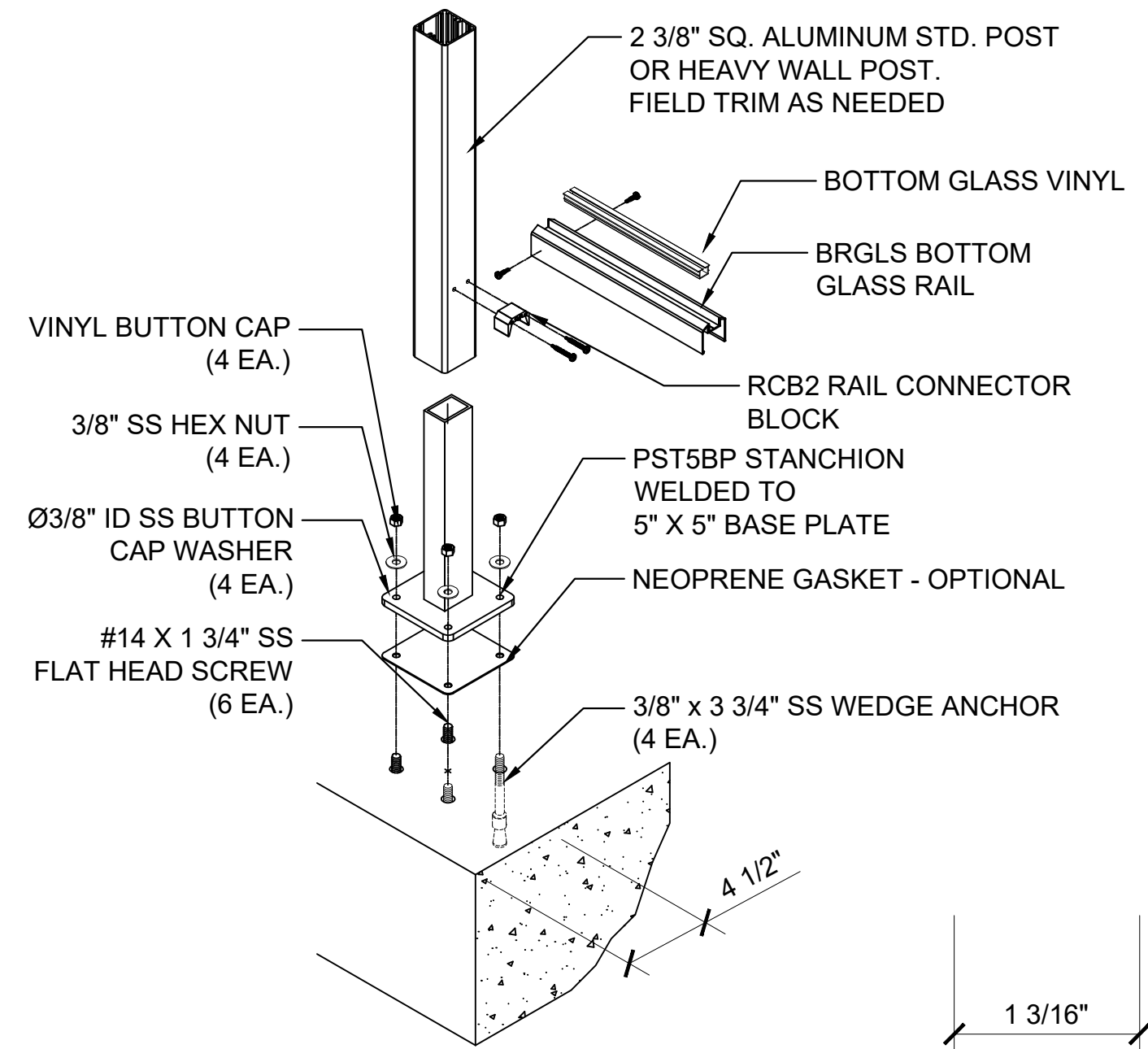
## TYPICAL ARS ATTACHMENTS



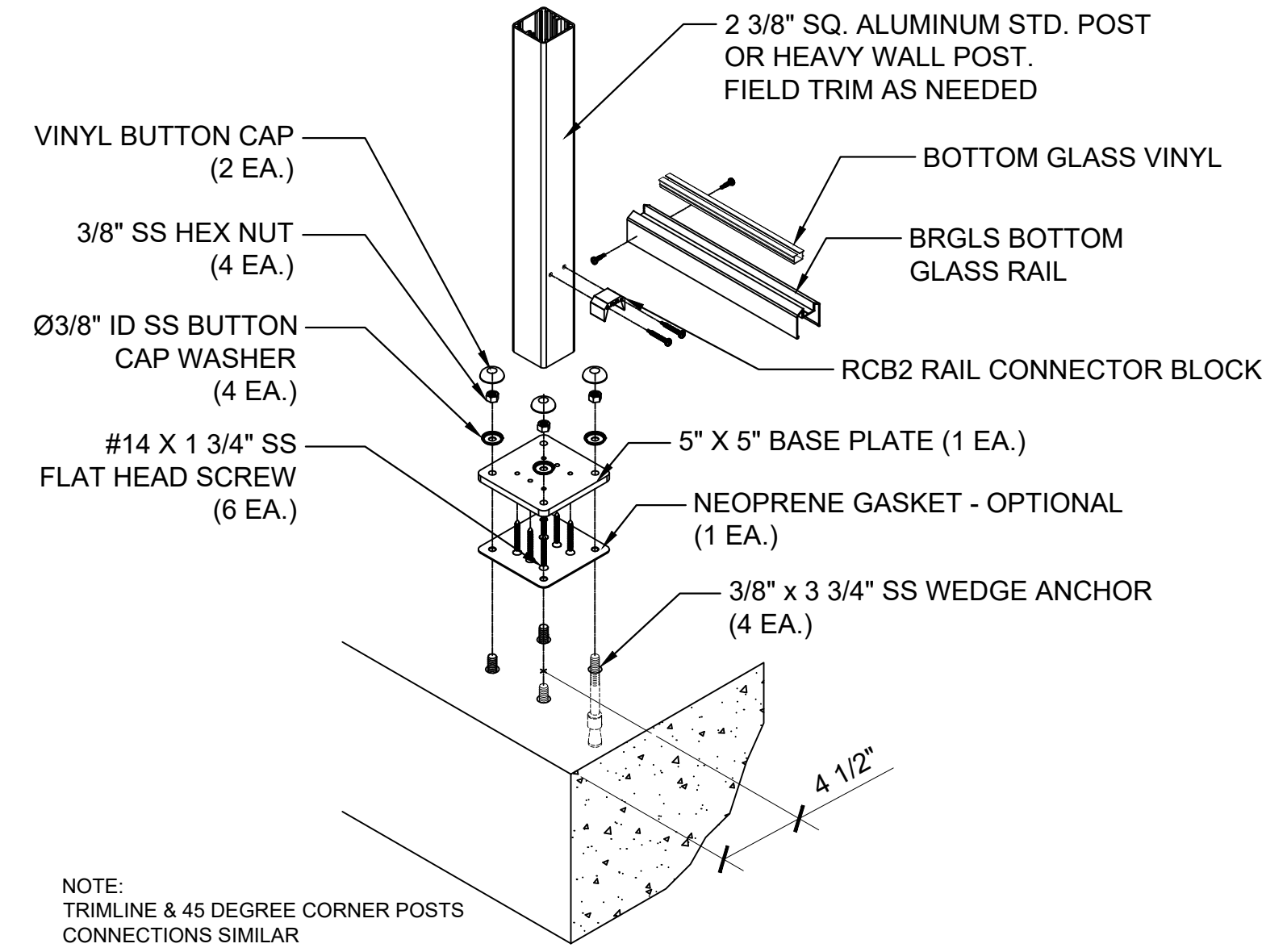
CONCRETE SUBSTRATE  
TYPICAL CORE MOUNT DETAIL  
SPACING WILL DEPEND ON MOUNTING  
SUBSTRATE AND REGION OF PROJECT



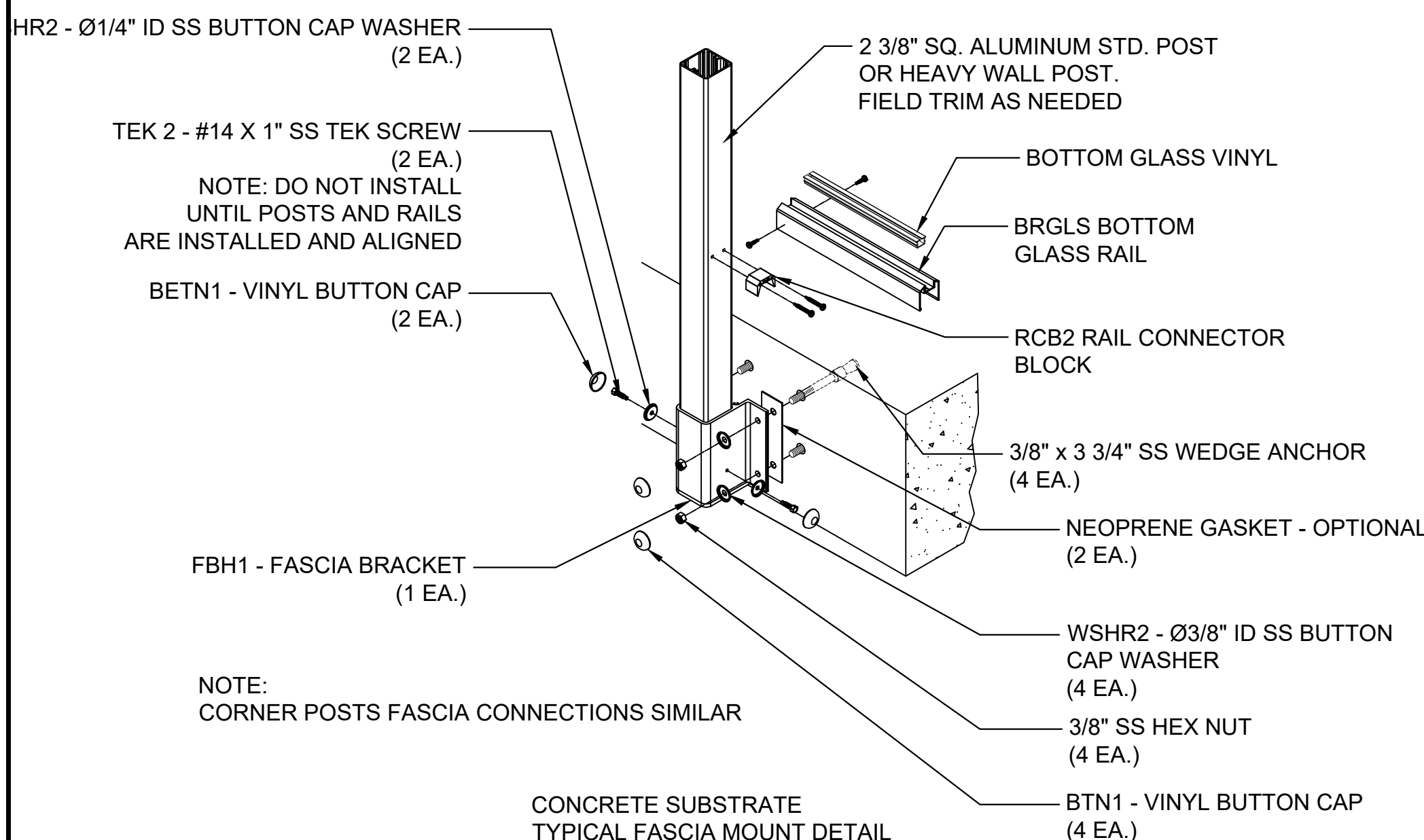
CONCRETE SUBSTRATE TYPICAL  
CORE MOUNT STANCHION DETAIL  
SPACING WILL DEPEND ON MOUNTING  
SUBSTRATE AND REGION OF PROJECT



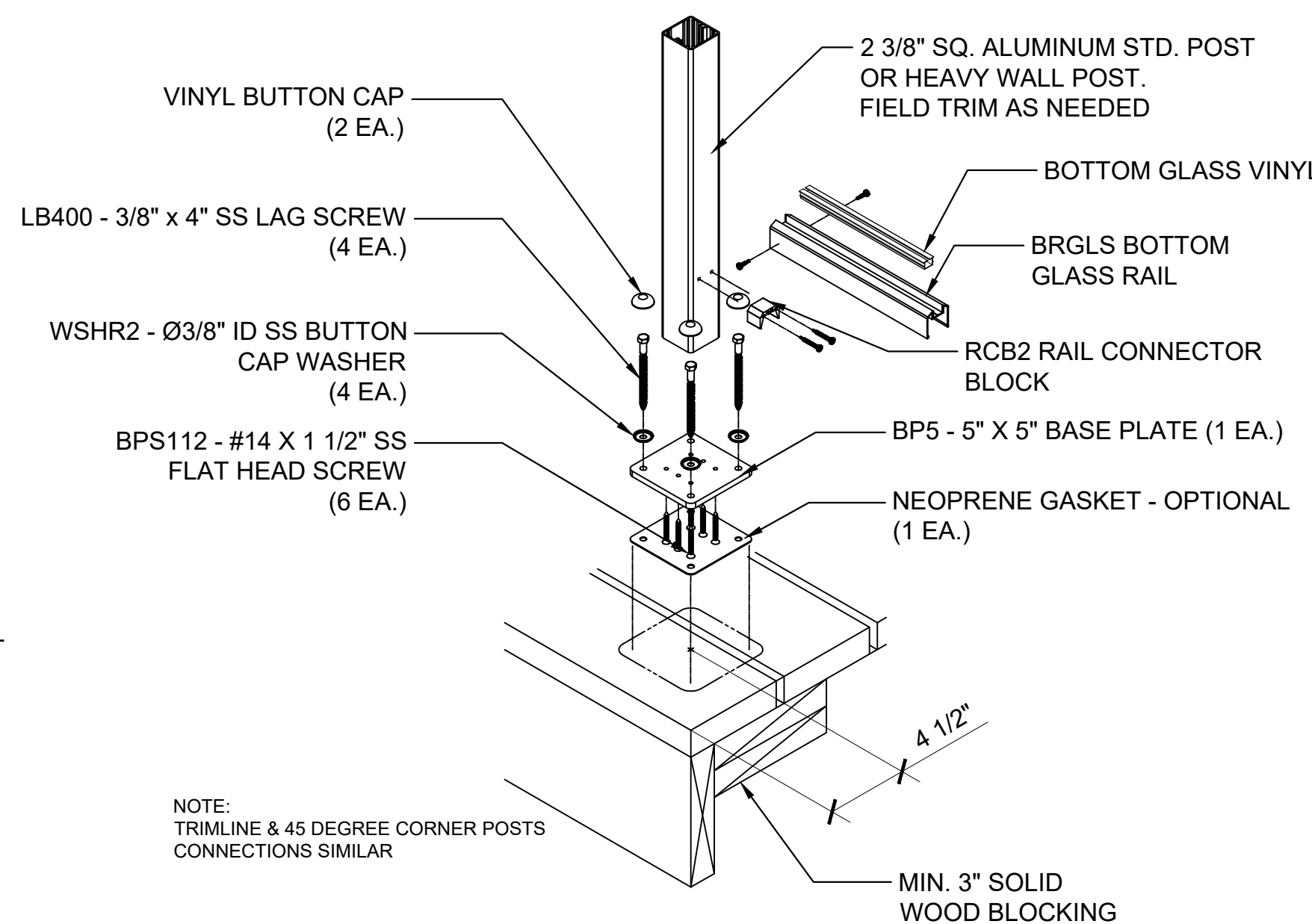
CONCRETE SUBSTRATE TYPICAL  
SURFACE MOUNT STANCHION DETAIL  
SPACING WILL DEPEND ON MOUNTING  
SUBSTRATE AND REGION OF PROJECT



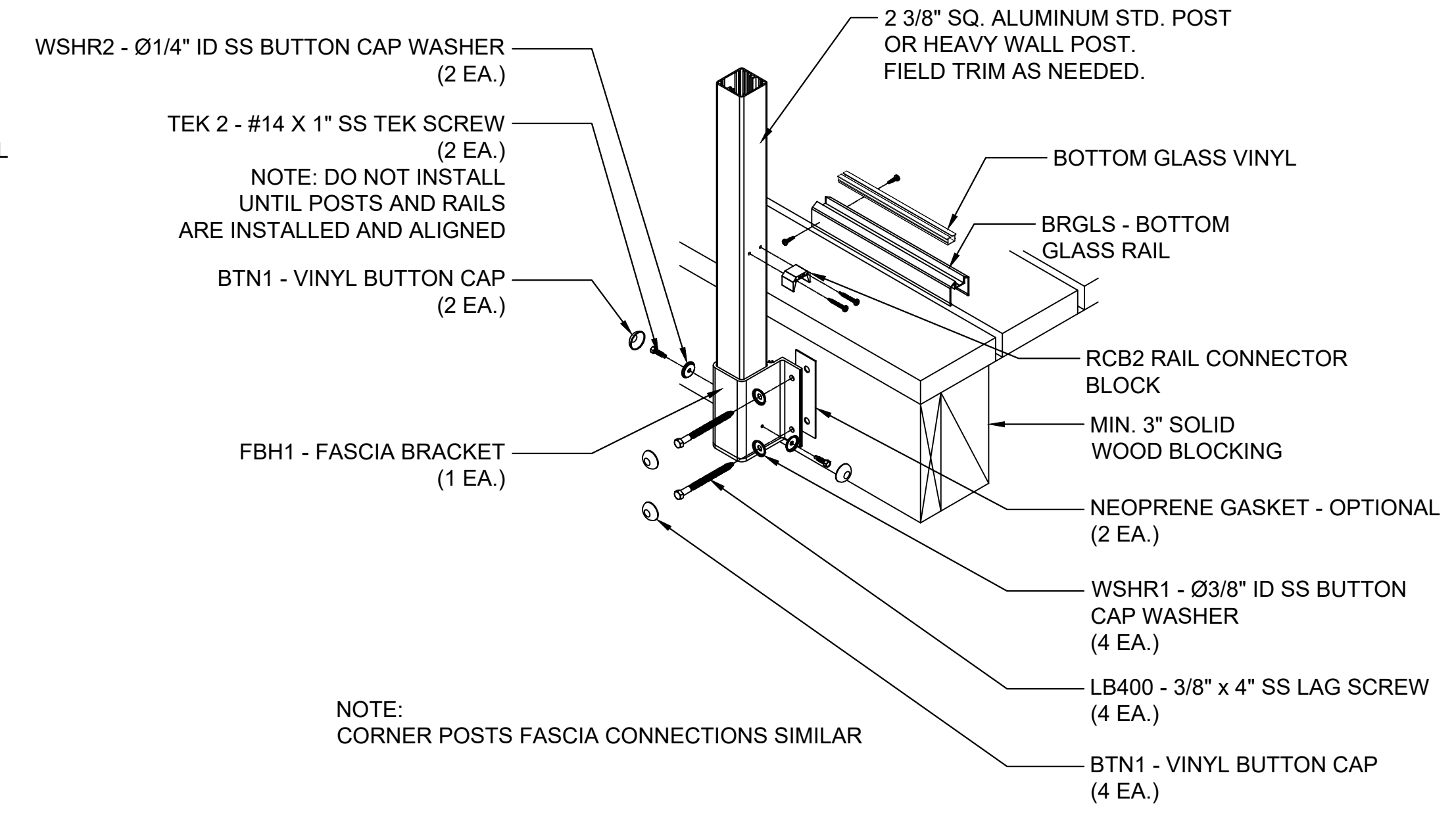
CONCRETE SUBSTRATE  
TYPICAL SURFACE MOUNT DETAIL  
SPACING WILL DEPEND ON MOUNTING  
SUBSTRATE AND REGION OF PROJECT



WOOD SUBSTRATE  
TYPICAL FASCIA MOUNT DETAIL  
SPACING WILL DEPEND ON MOUNTING  
SUBSTRATE AND REGION OF PROJECT

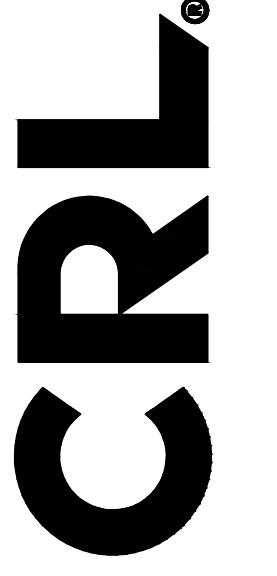


WOOD SUBSTRATE  
TYPICAL SURFACE MOUNT DETAIL  
SPACING WILL DEPEND ON MOUNTING  
SUBSTRATE AND REGION OF PROJECT



WOOD SUBSTRATE  
TYPICAL FASCIA MOUNT DETAIL  
SPACING WILL DEPEND ON MOUNTING  
SUBSTRATE AND REGION OF PROJECT

Revisions By:  
09/18/2020 - JRM



2503 E. Vernon Avenue, Los Angeles, CA 90058-1887  
PH (800)421-6144 FX 800-587-7501 www.crlaurence.com

Description:  
CRL ARS  
ALUMINUM RAILING SYSTEM

Drawn By: JRM  
Date: 02/07/2020  
Scale: AS NOTED  
File Name: SY30126A Alum. Railing Glass Infill

Sheet

1.01

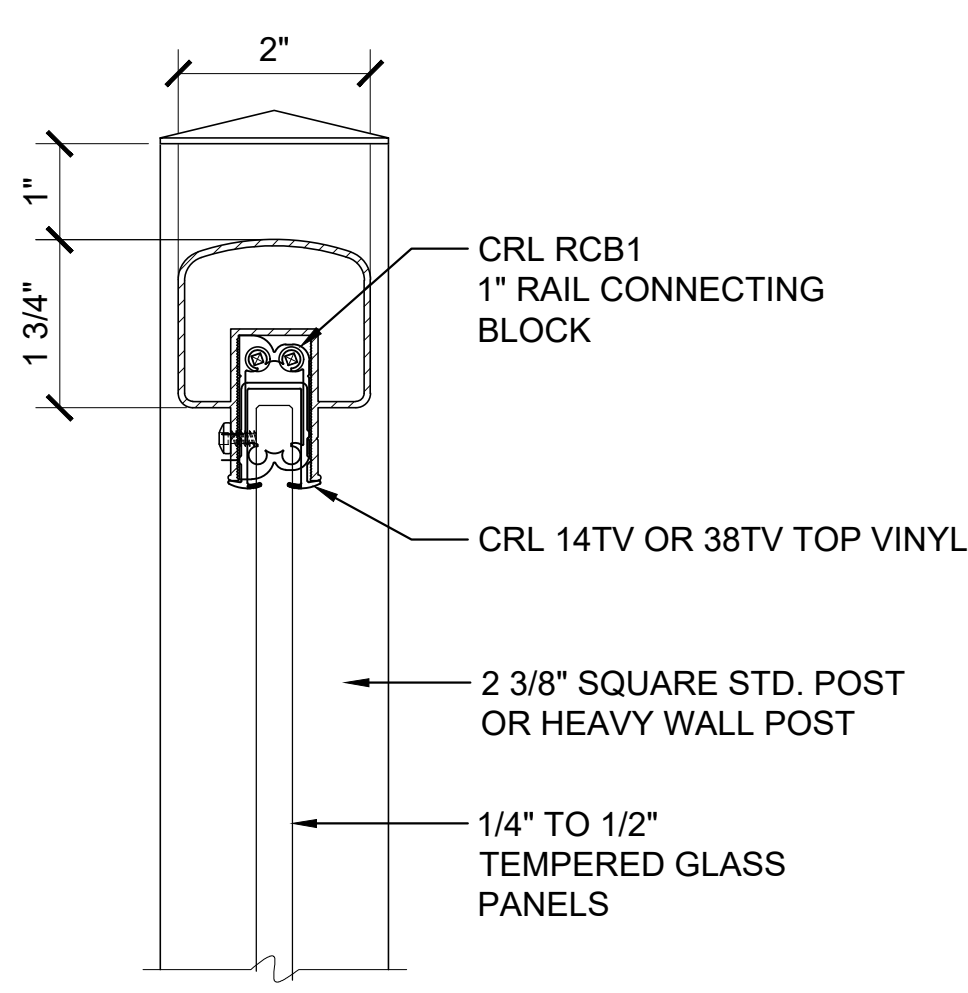
2503 E. Vernon Avenue, Los Angeles, CA 90058-1887  
PH (800)421-6144 FX 800-587-7501 www.crlaurence.com



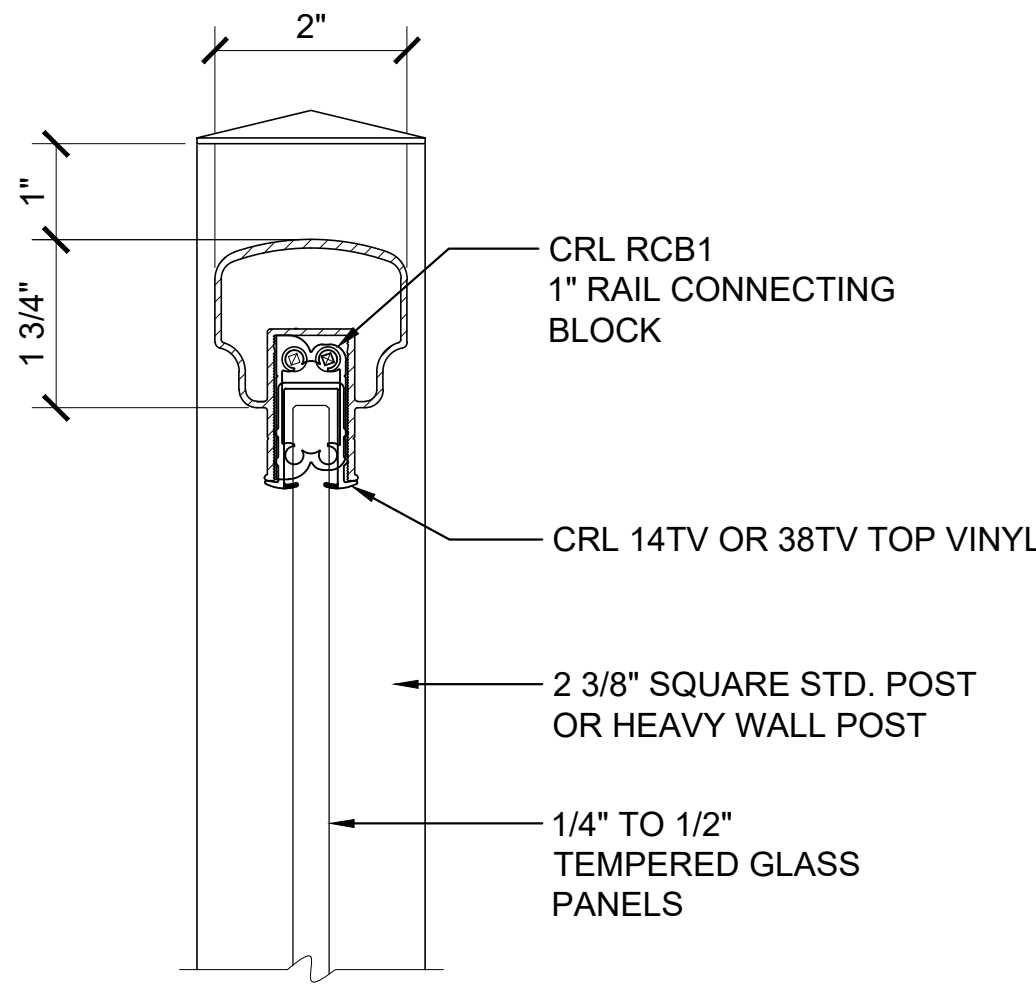
Description:  
CRL ARS  
ALUMINUM RAILING SYSTEM

Drawn By: JRM  
Date: 02/07/2020  
Scale: AS NOTED  
File Name:  
SYS0126A Alum. Railing Glass Infill

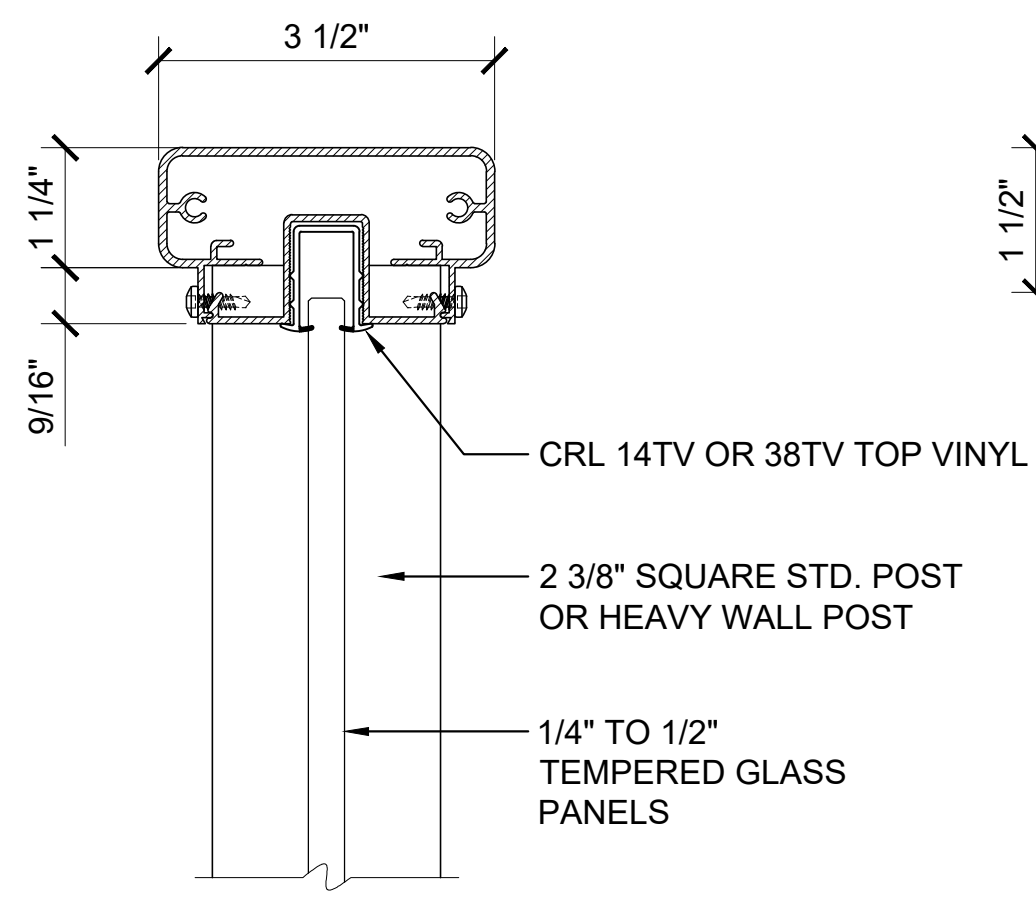
Sheet  
2.01



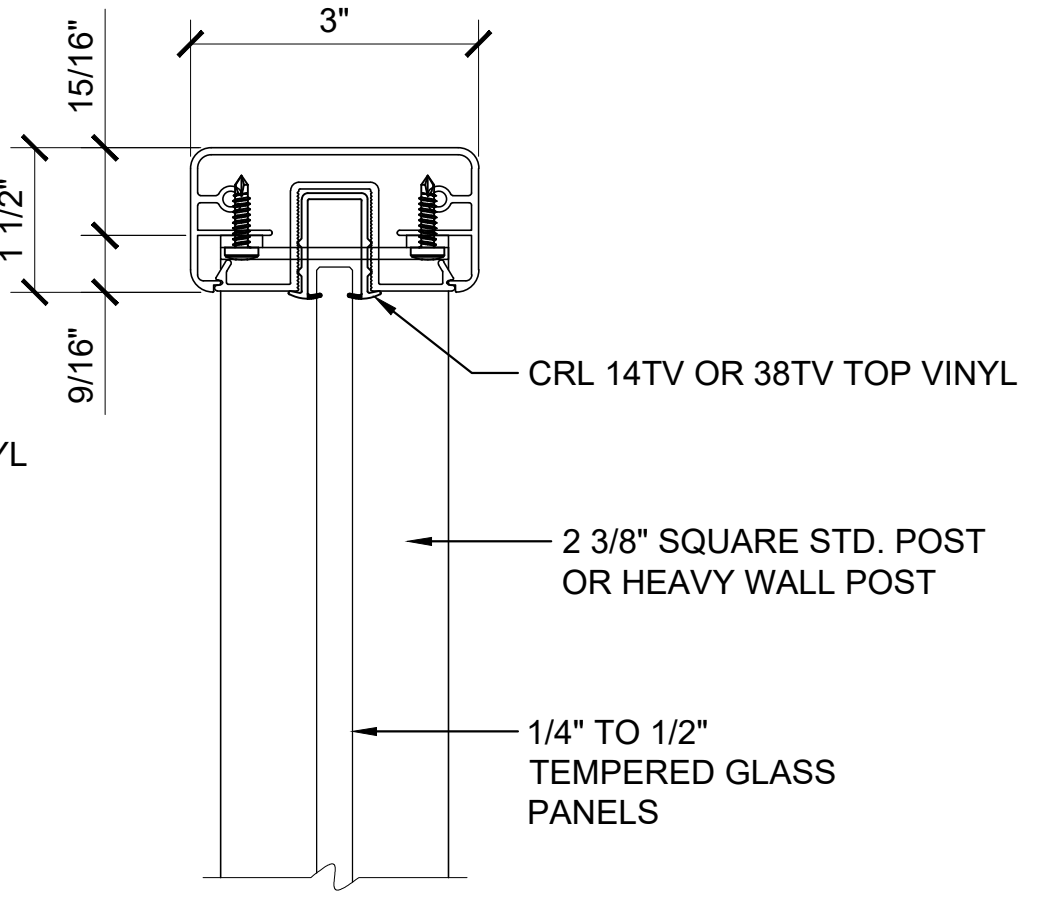
100 SERIES TOP CAP  
1TR241 TOP CAP  
FOR 1/4" TO 1/2" GLASS  
ALUMINUM



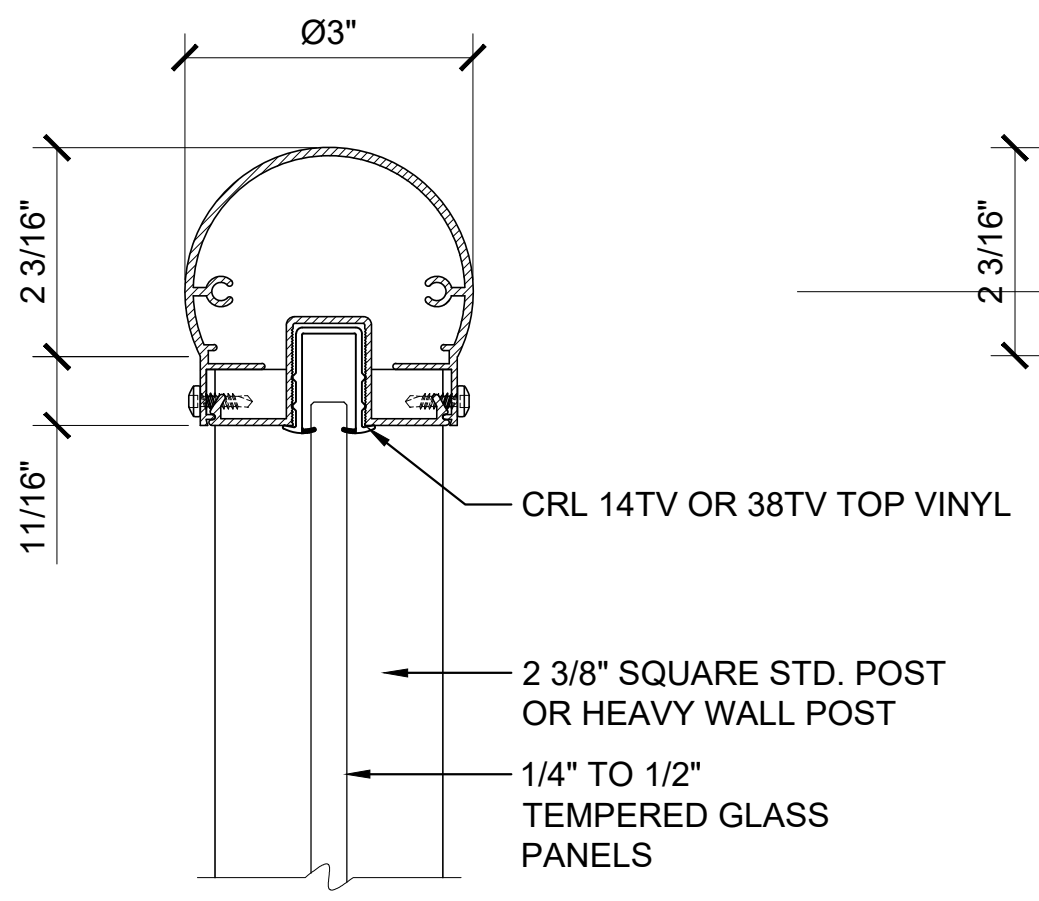
150 SERIES TOP CAP  
15TR241 TOP CAP  
FOR 1/4" TO 1/2" GLASS  
ALUMINUM



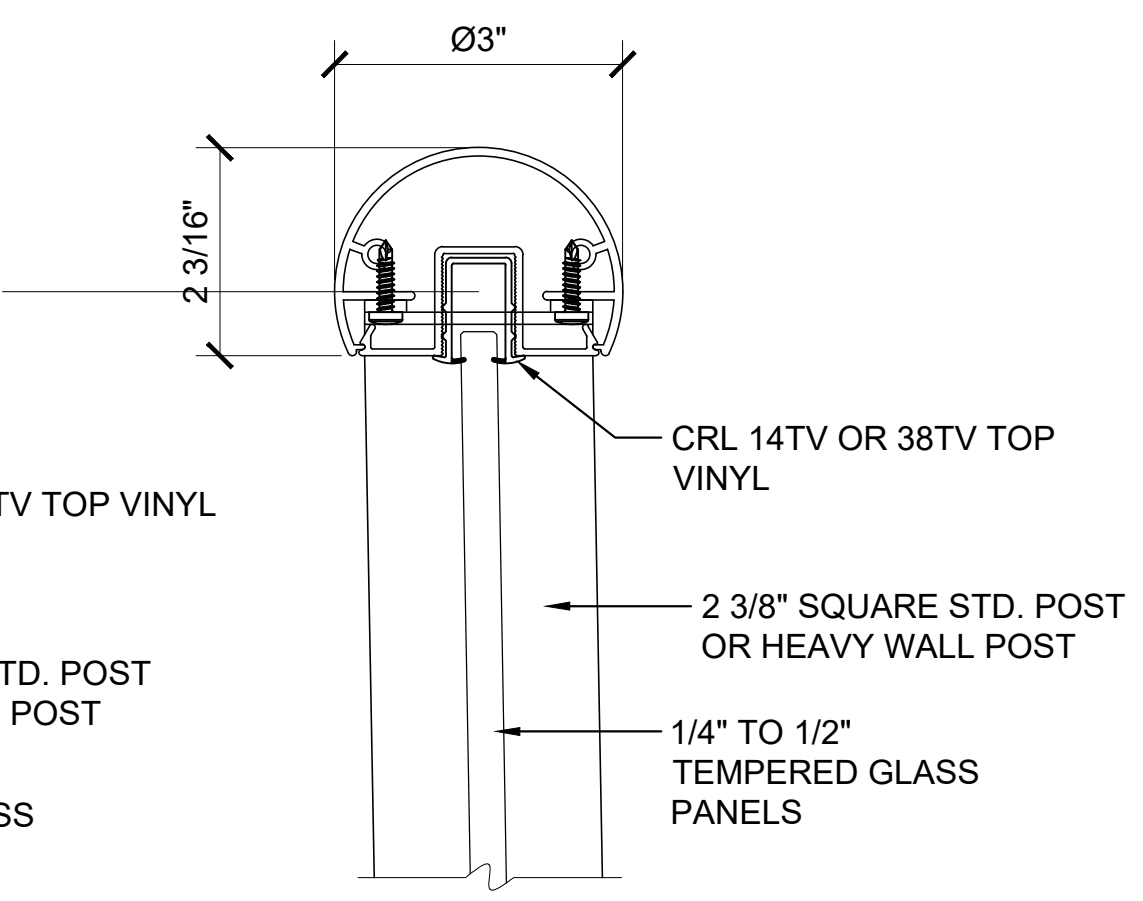
200 SERIES TOP CAP  
2TR241 TOP CAP  
FOR 1/4" TO 1/2" GLASS  
ALUMINUM



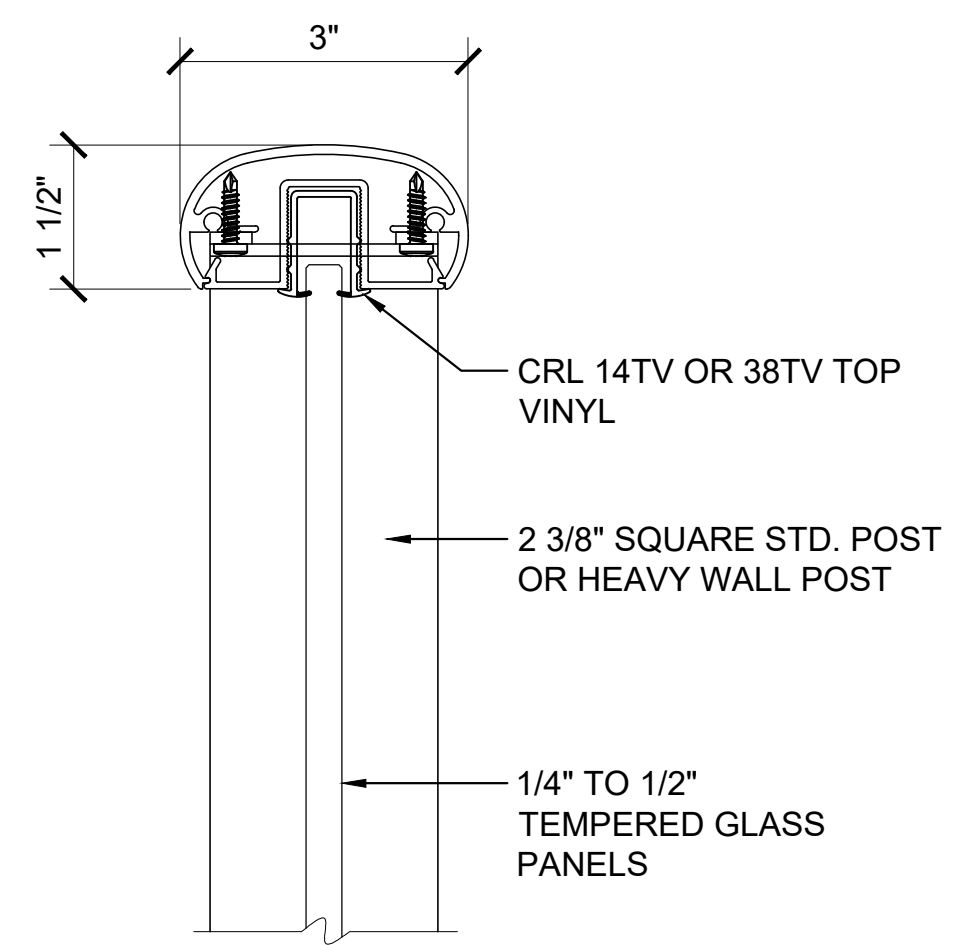
200X SERIES TOP CAP  
2XTR241 TOP CAP  
FOR 1/4" TO 1/2" GLASS  
ALUMINUM



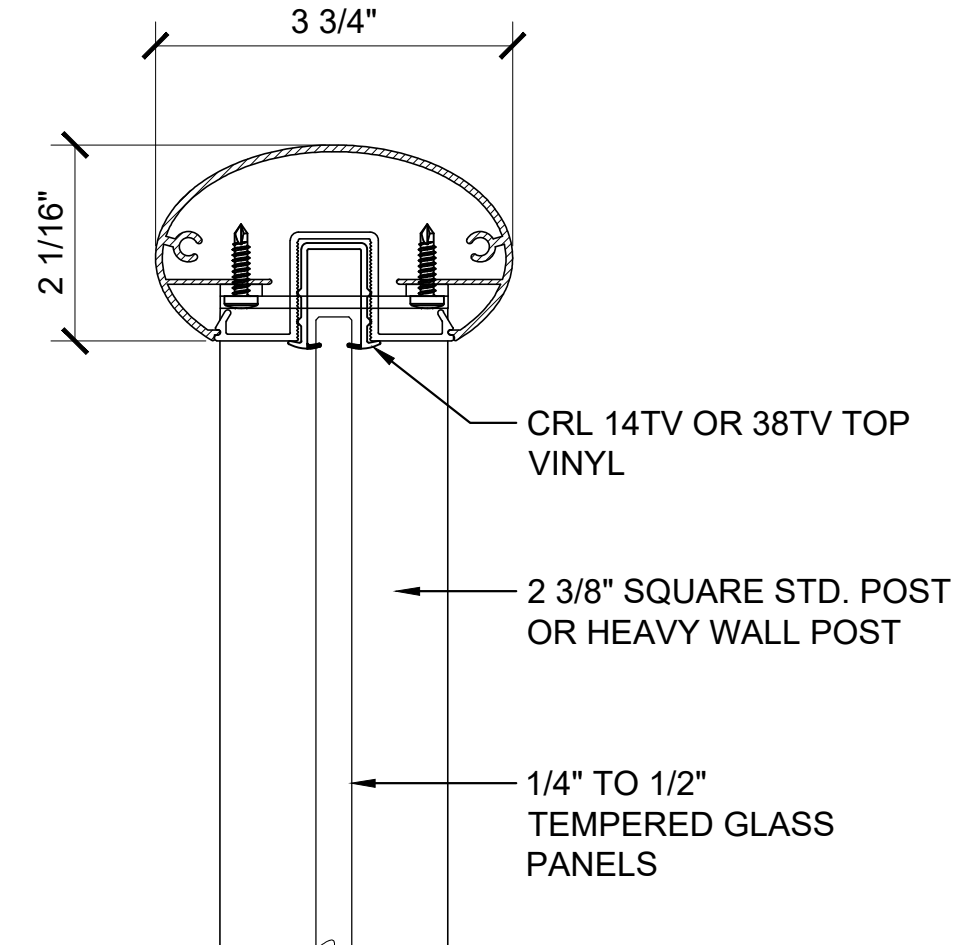
300 SERIES TOP CAP  
3TR241 TOP CAP  
FOR 1/4" TO 1/2" GLASS  
ALUMINUM



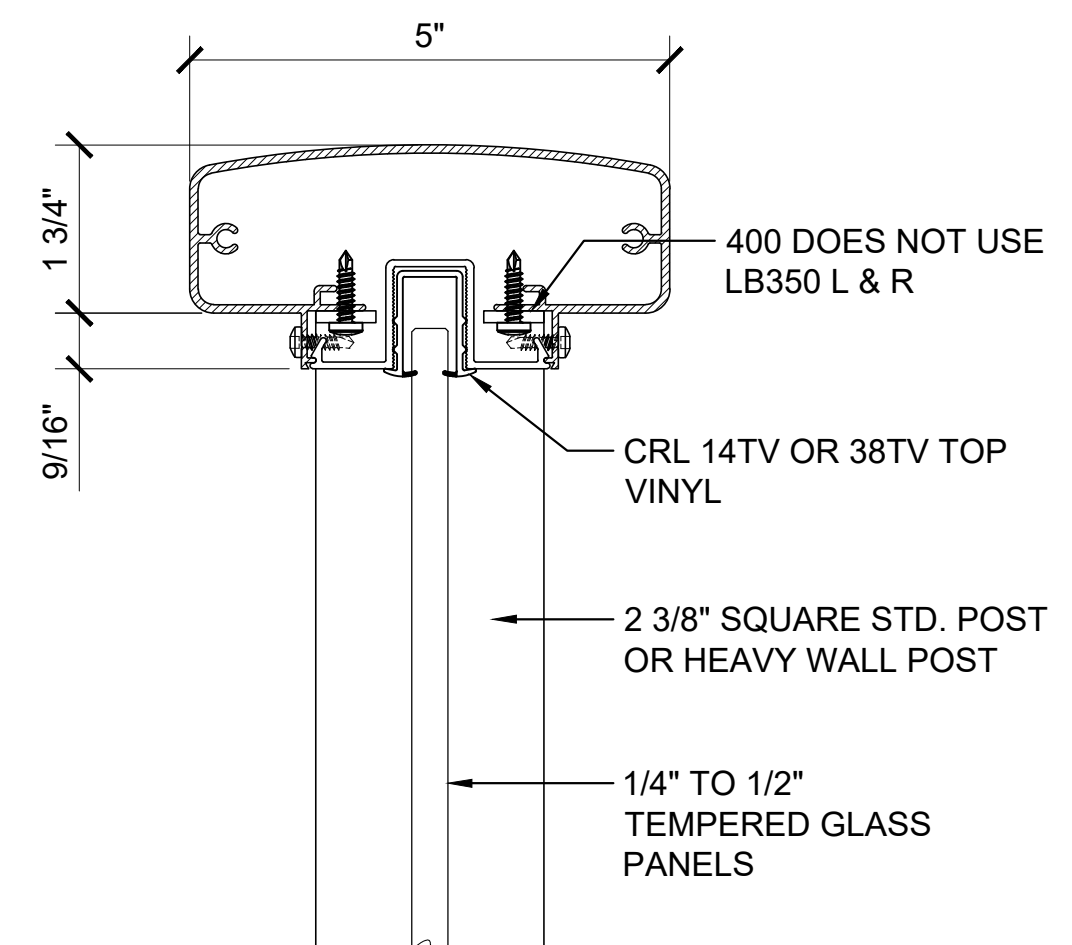
300X SERIES TOP CAP  
3XTR241 TOP CAP  
FOR 1/4" TO 1/2" GLASS  
ALUMINUM



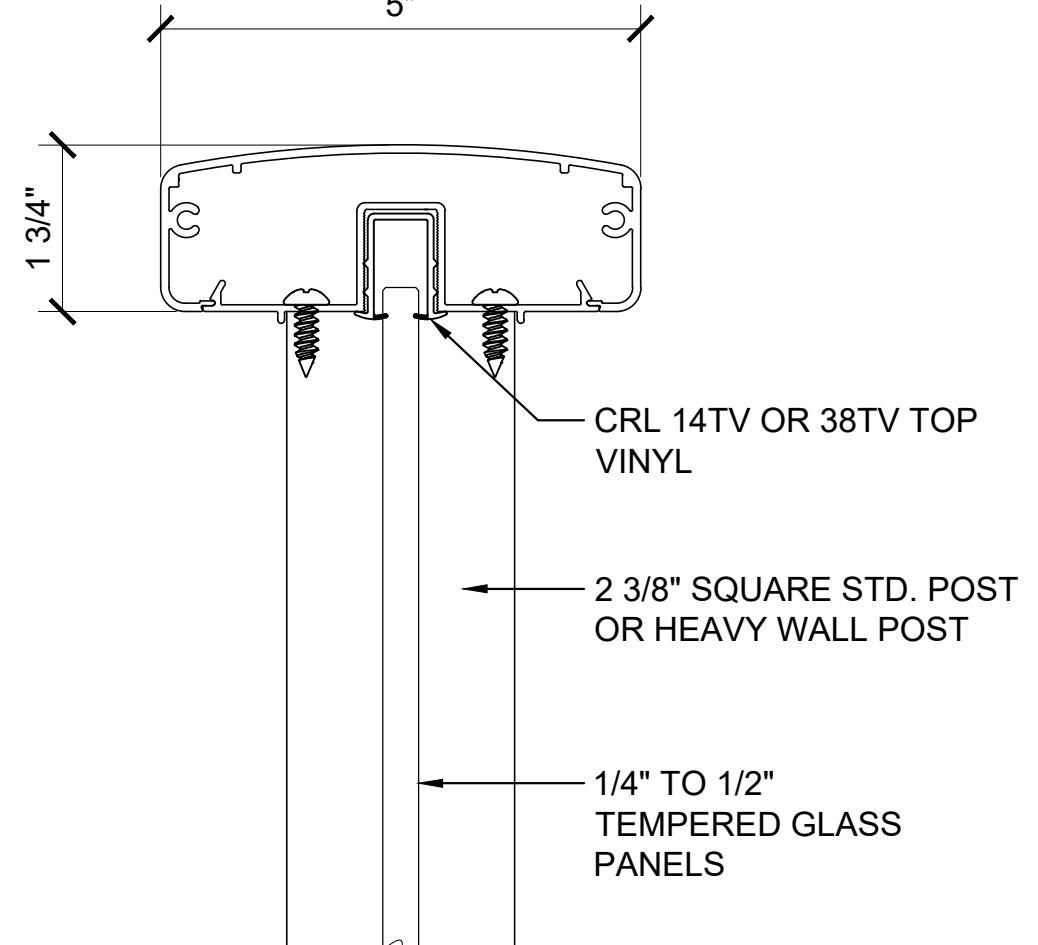
320 SERIES TOP CAP  
32XTR241 TOP CAP  
FOR 1/4" TO 1/2" GLASS  
ALUMINUM



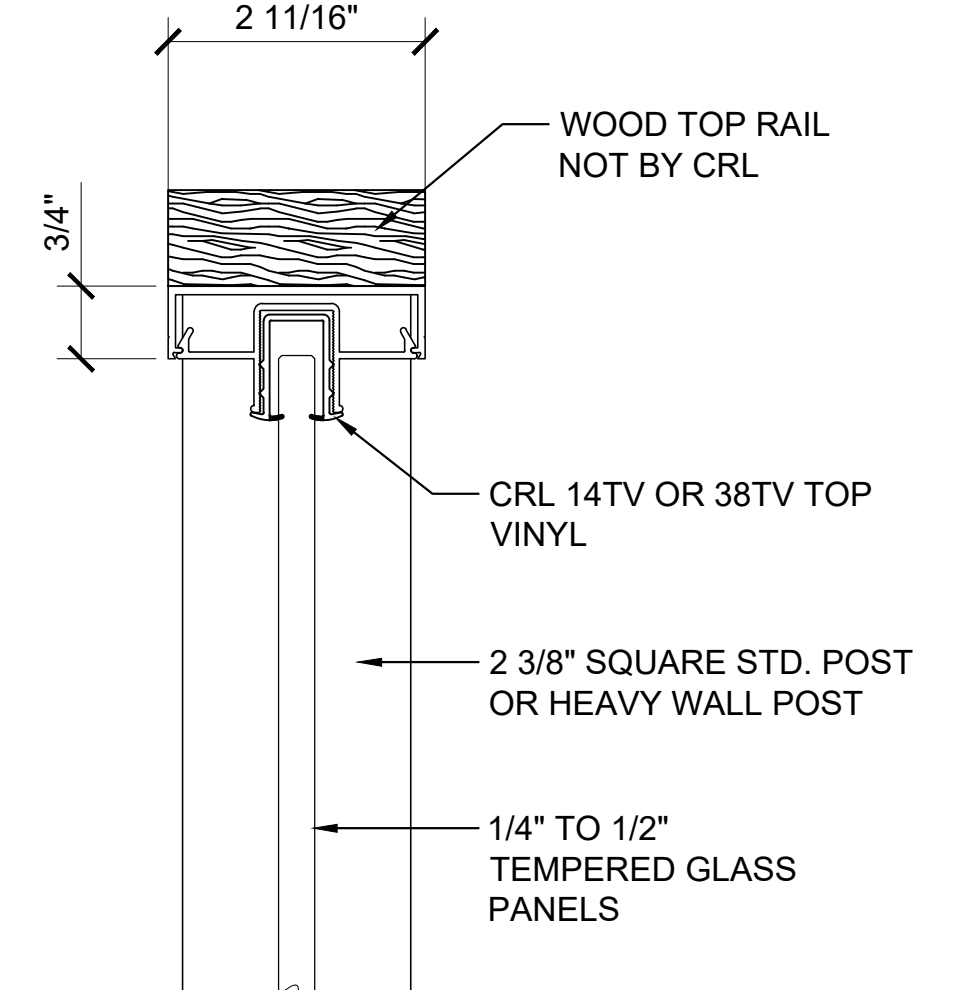
350 SERIES TOP CAP  
35TR241 TOP CAP  
FOR 1/4" TO 1/2" GLASS  
ALUMINUM



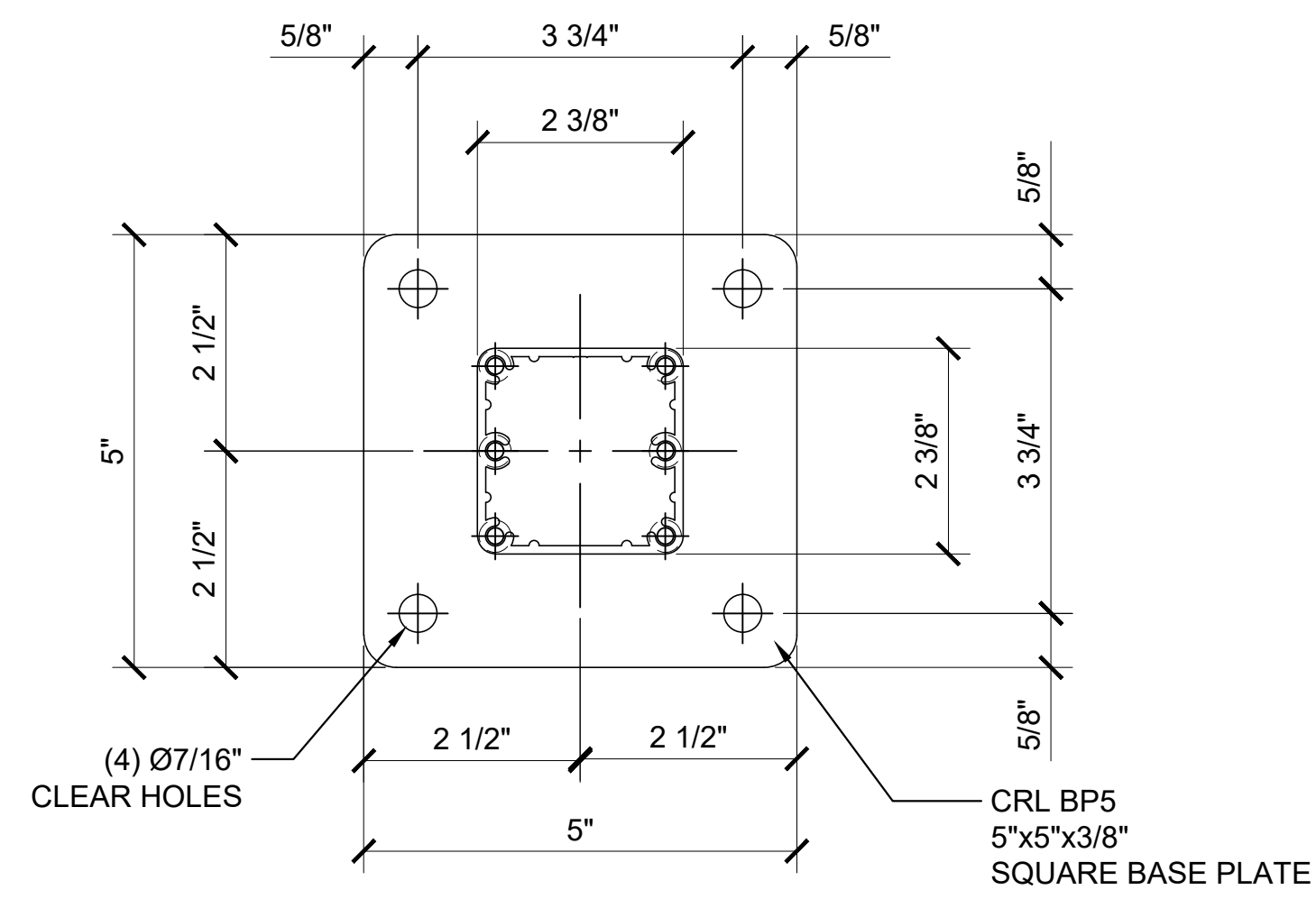
400 SERIES TOP CAP  
4TR241 TOP CAP  
FOR 1/4" TO 1/2" GLASS  
ALUMINUM



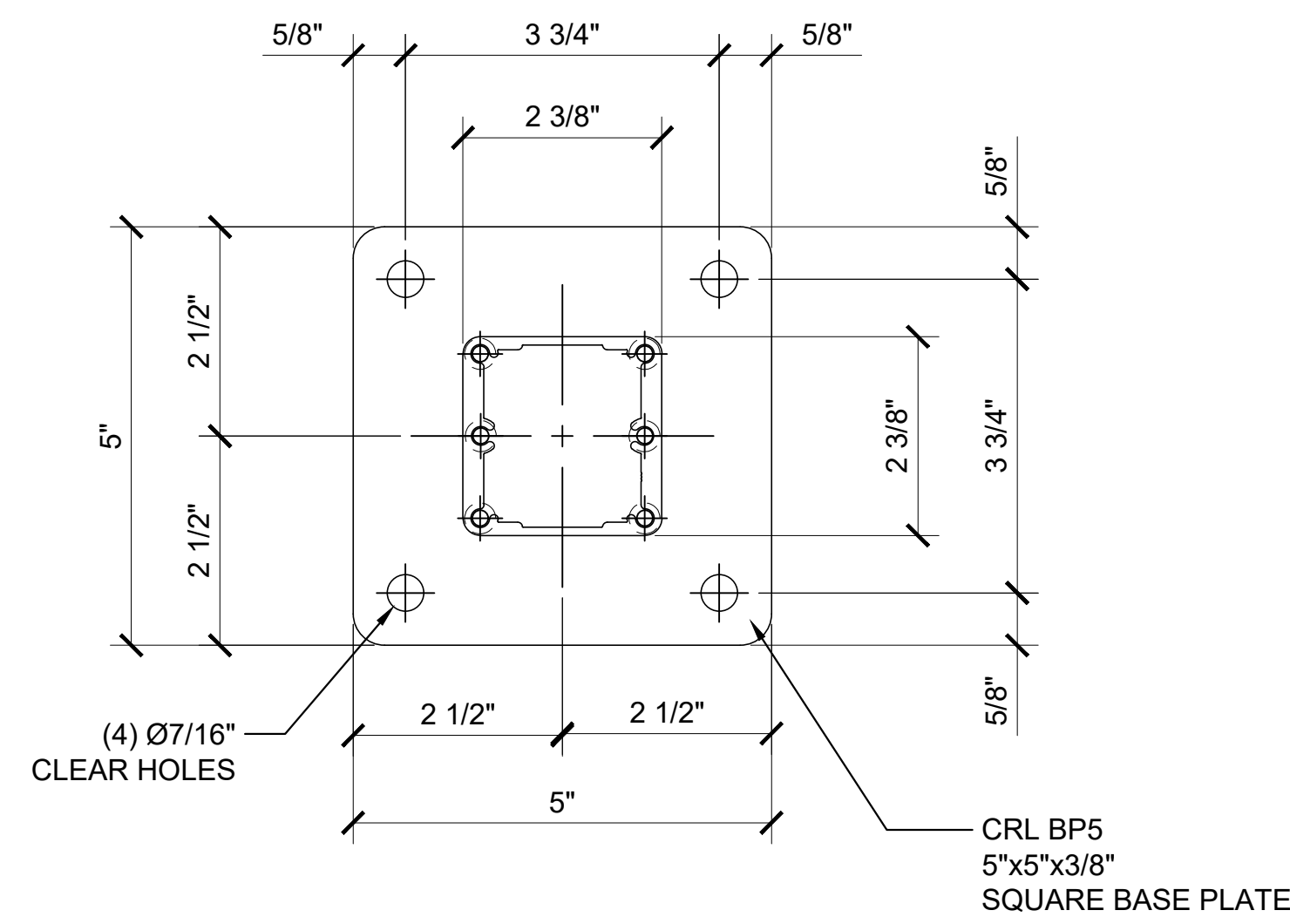
500X SERIES TOP CAP  
5XTR241 TOP CAP  
FOR 1/4" TO 1/2" GLASS  
ALUMINUM



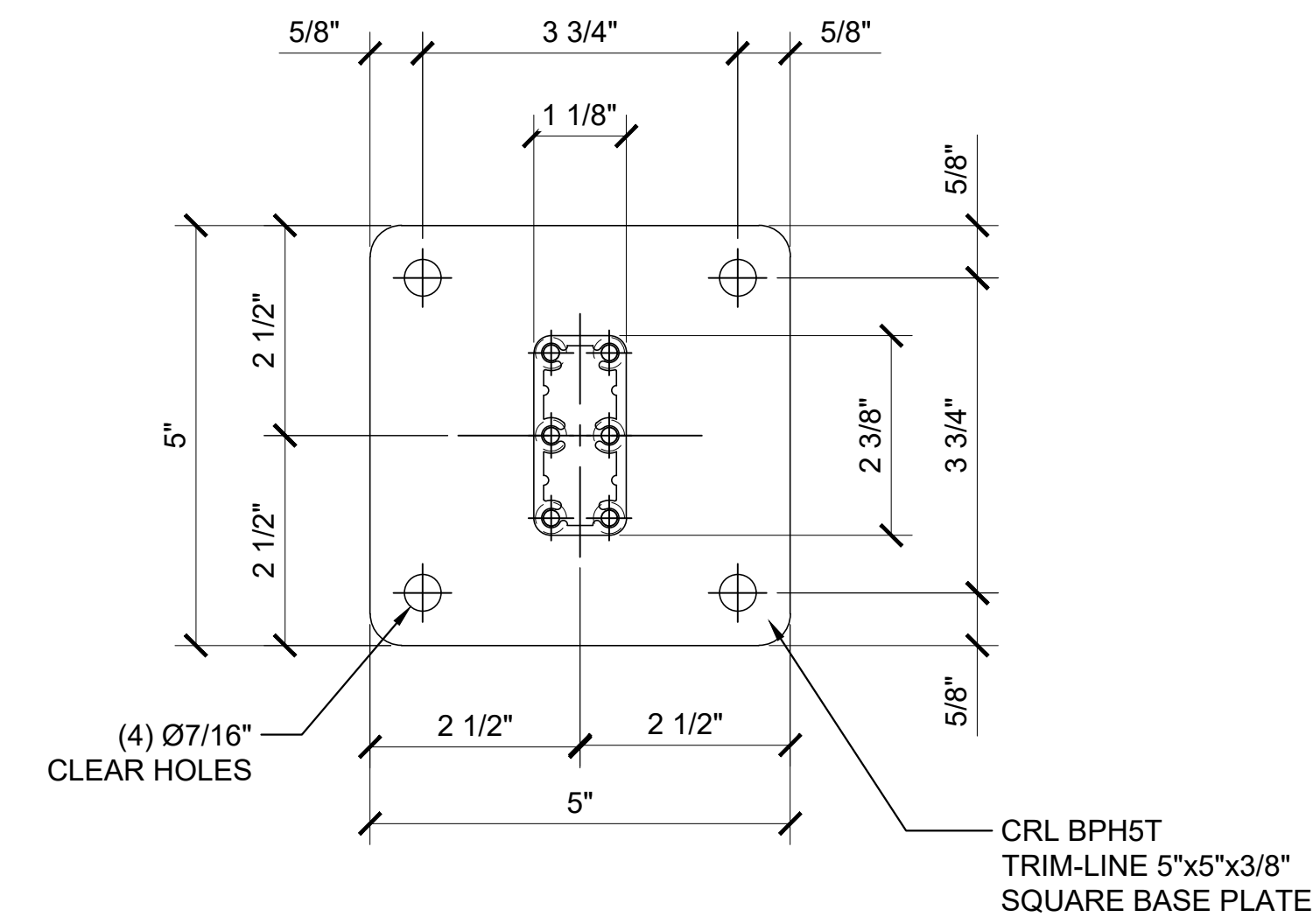
TOP CAP  
FOR 1/4" TO 1/2" GLASS  
WOOD



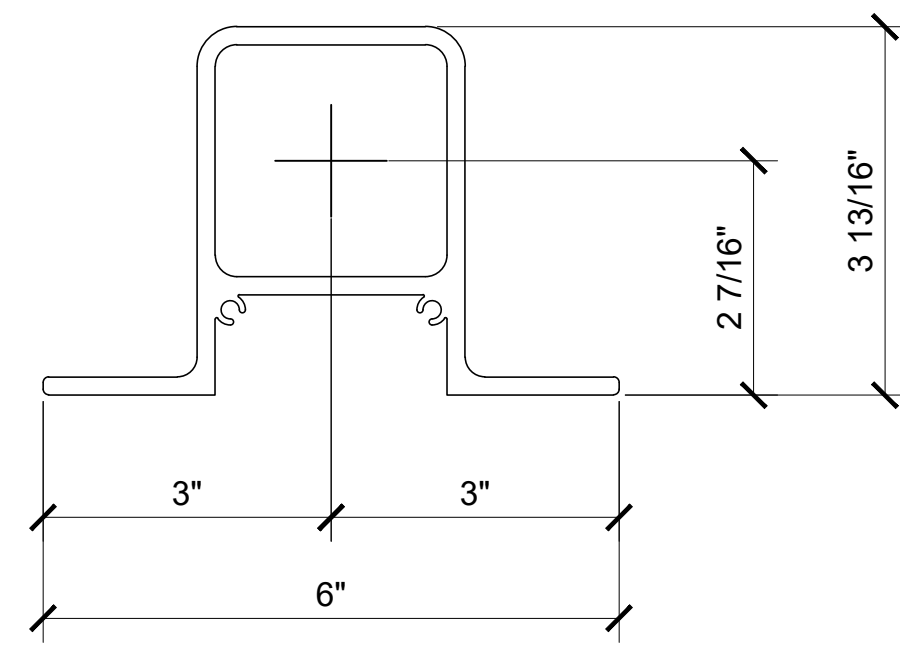
**P241 - STD POST/FLANGE**



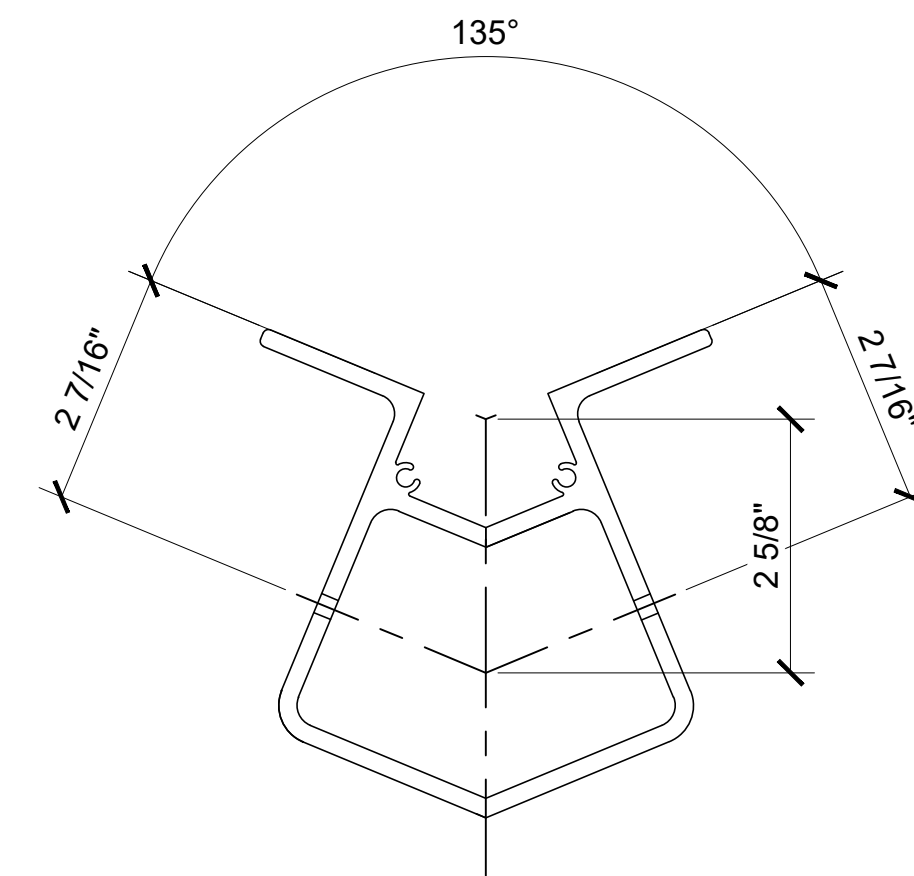
**PHD241 - HEAVY DUTY POST/FLANGE**



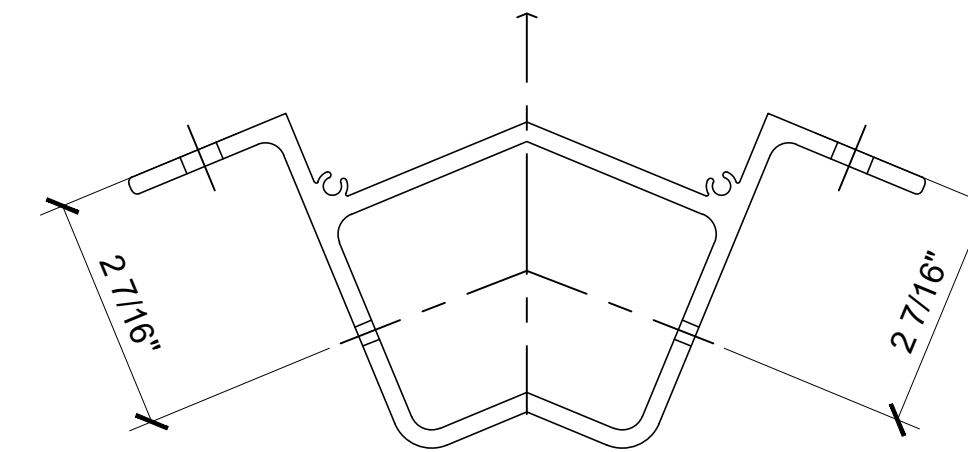
**HPT241 - TRIMLINE POST**



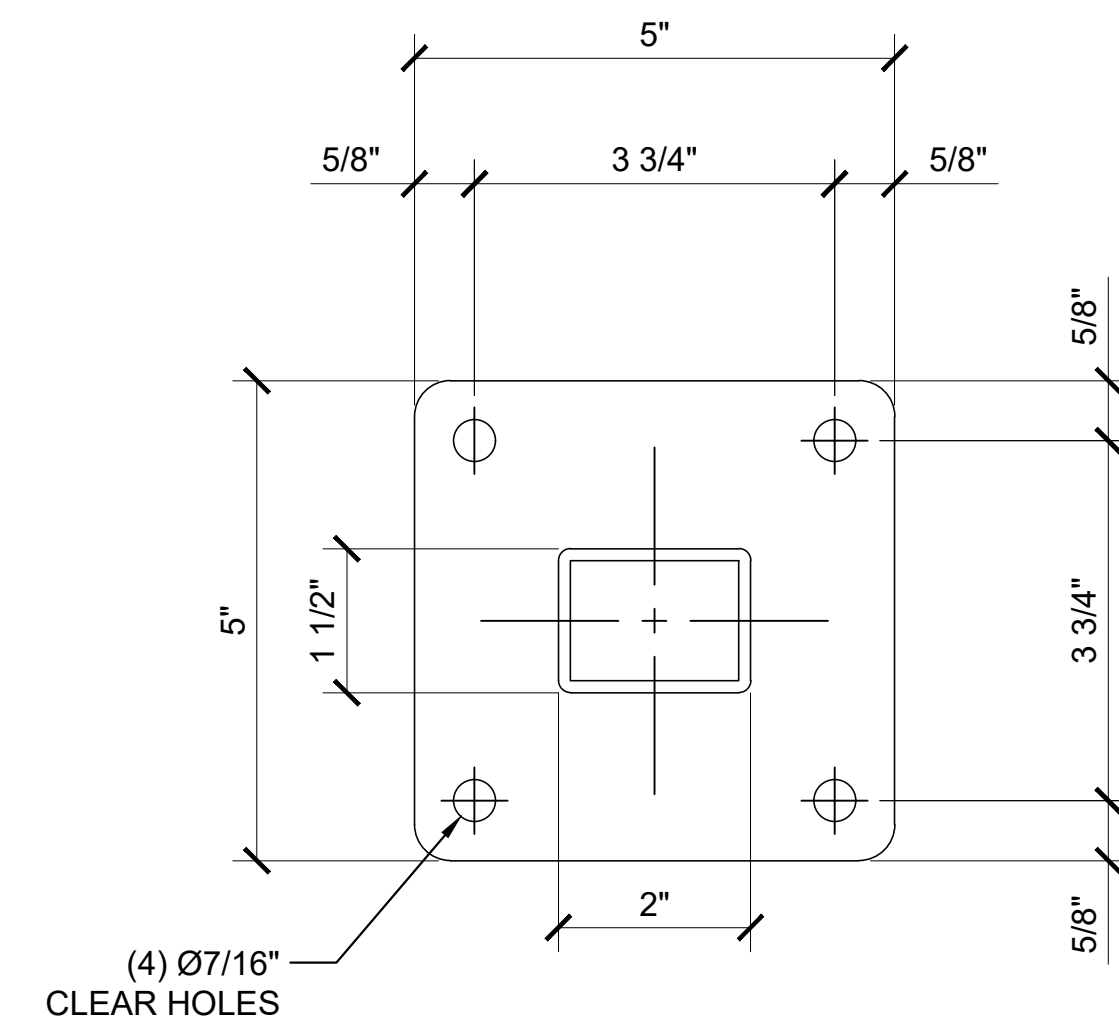
**FB41 - 180 DEGREE FASCIA BRACKET**



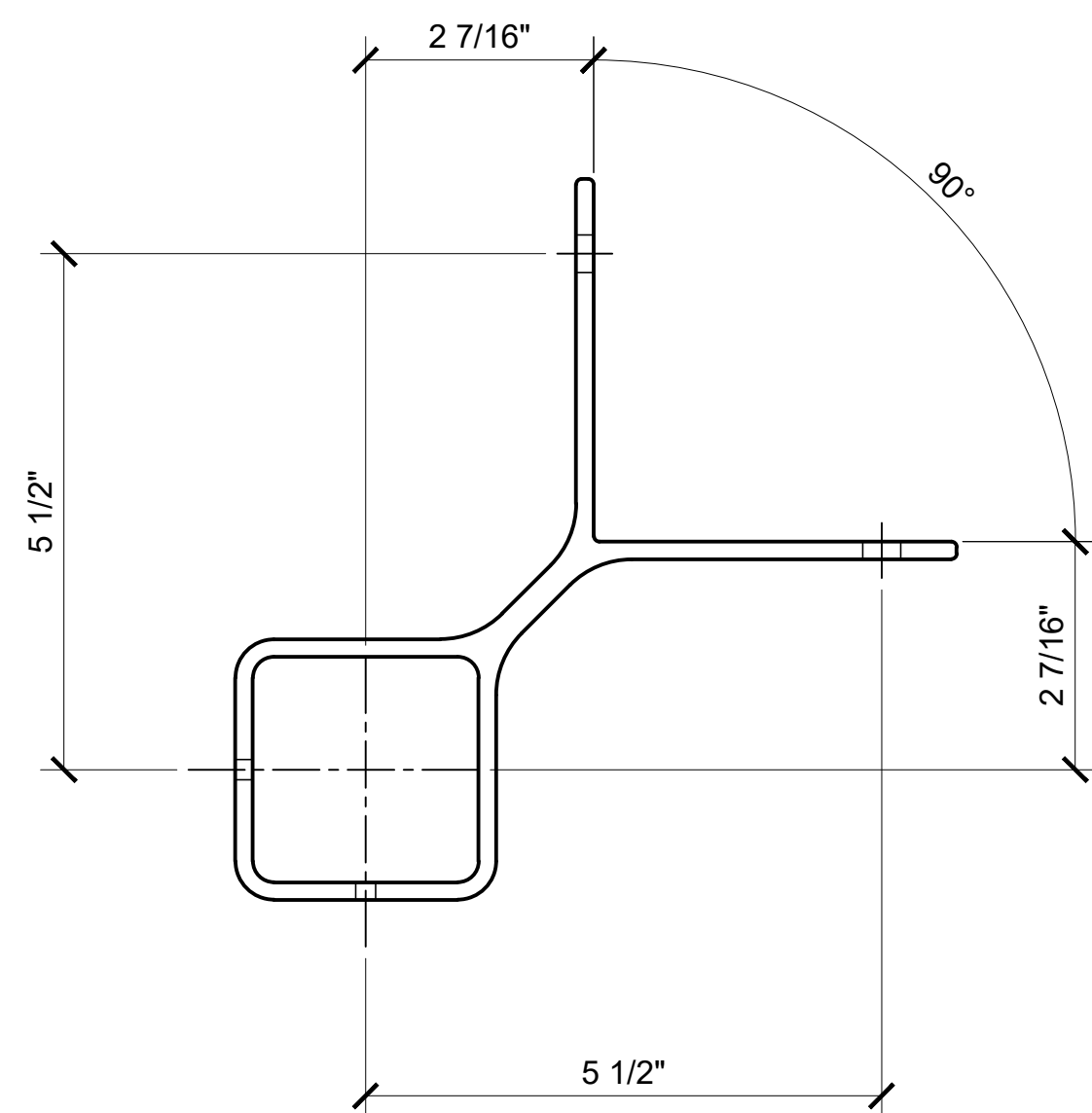
**FB4 - 135 DEGREE OUTSIDE FASCIA BRACKET**



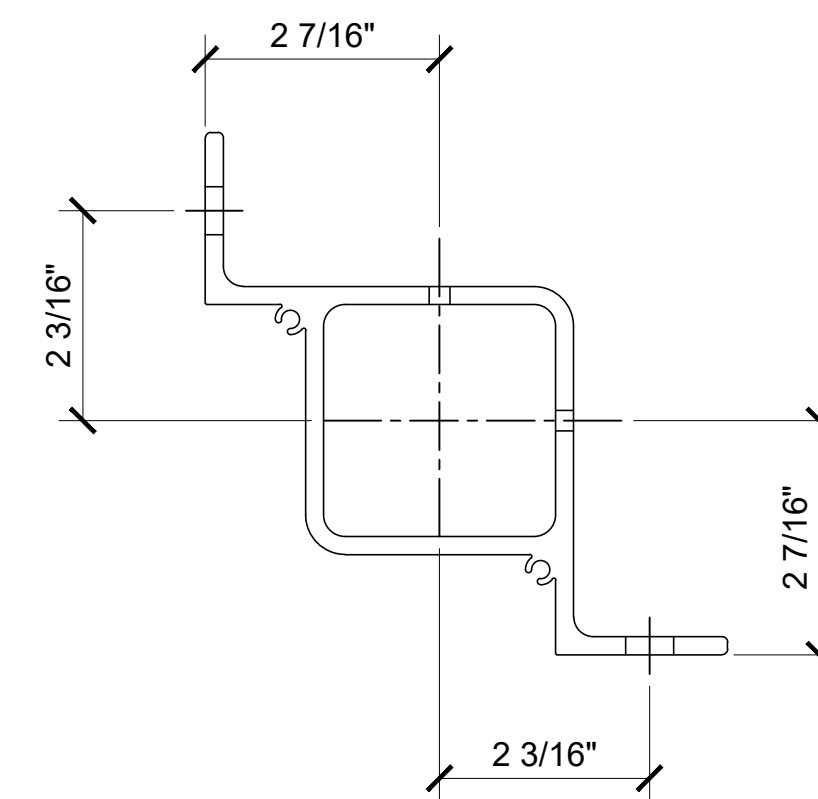
**FB5 - 135 DEGREE INSIDE FASCIA BRACKET**



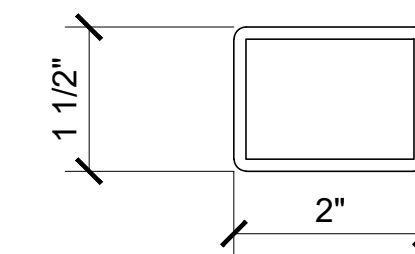
**PST5BP - S/S SURFACE MOUNT STANCHION**



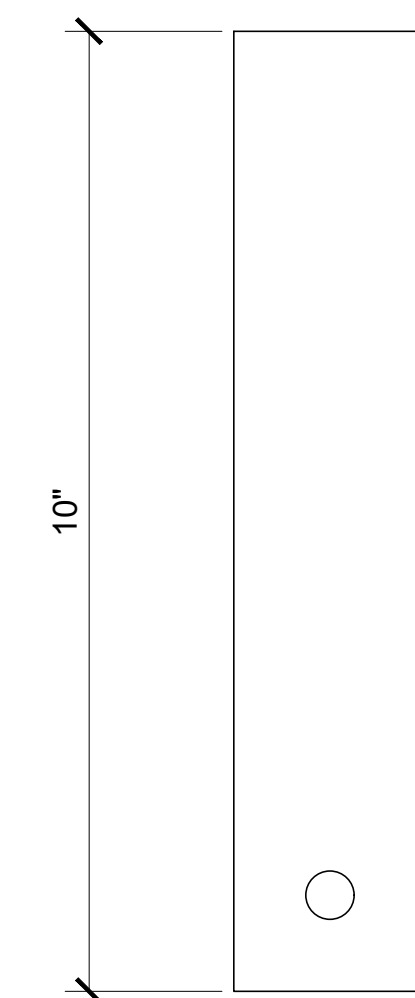
**FBH2 - 90 DEGREE OUTSIDE FASCIA BRACKET**



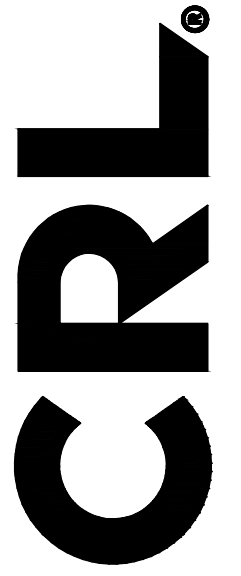
**FBH21 - 90 DEGREE INSIDE FASCIA BRACKET**



**PST5 - S/S CORE MOUNT STANCHION**



Revisions By:  
09/18/2020 - JRM



2503 E. Vernon Avenue, Los Angeles, CA 90058-1887  
PH (800)421-5144 FX 800-587-7501 www.crlaurence.com

Description:  
CRL ARS  
ALUMINUM RAILING SYSTEM

Drawn By: JRM  
Date: 02/07/2020  
Scale: AS NOTED  
File Name: SYS0126A Alum. Railing Glass Infill

Sheet

2.02