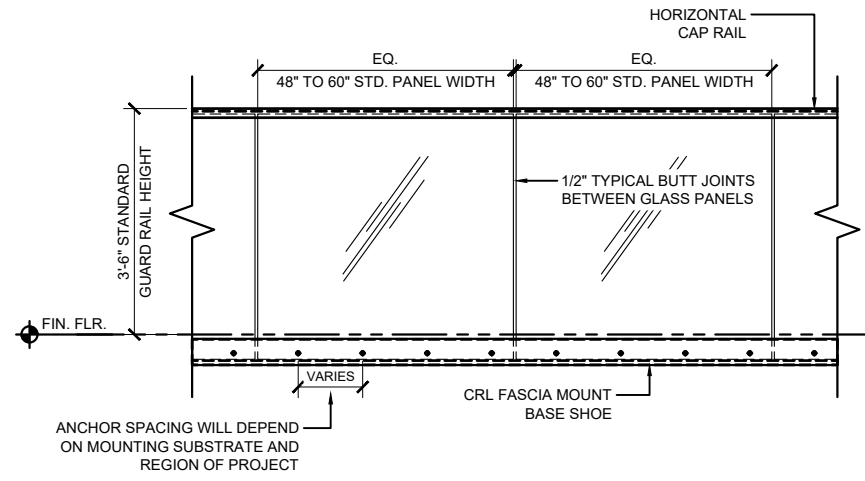
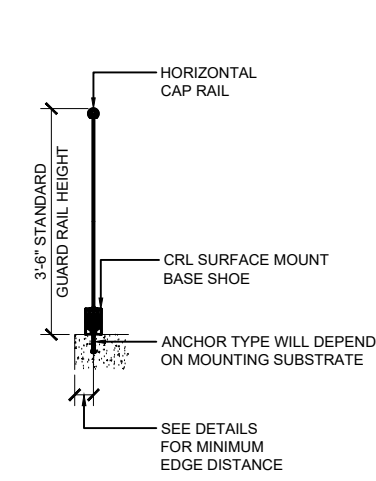
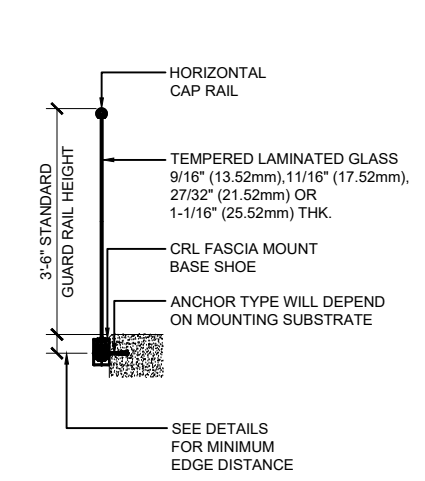


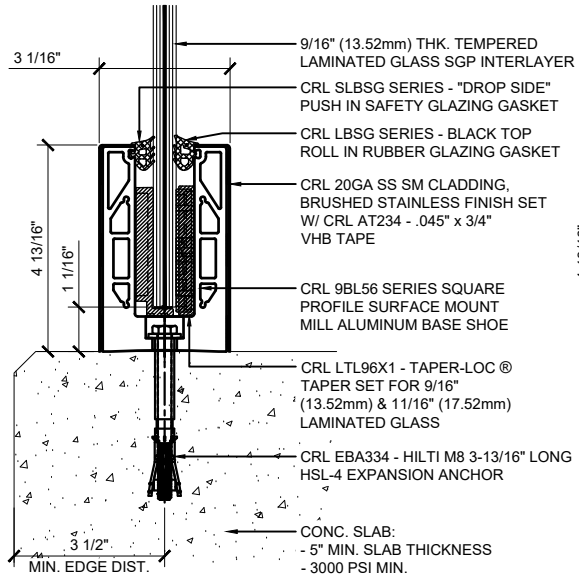
TYPICAL GRS LAMINATED GLASS RAILING ELEVATION VIEW - SURFACE MOUNT



TYPICAL GRS LAMINATED GLASS RAILING ELEVATION VIEW - FASCIA MOUNT

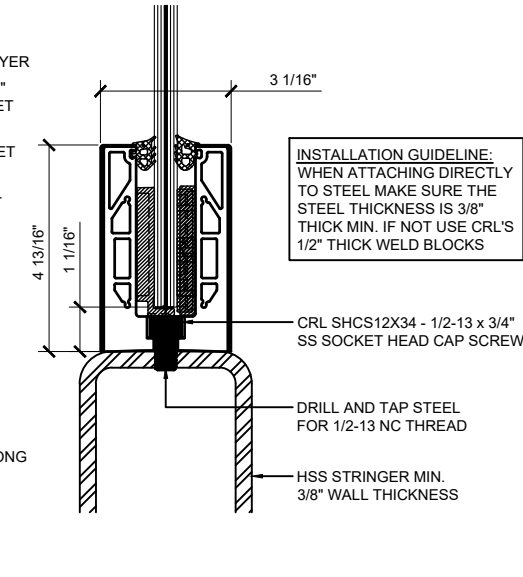


TYPICAL BASE SHOE ATTACHMENTS USING THE 9BL56 SERIES BASE SHOE WITH TAPER-LOC® SYSTEM



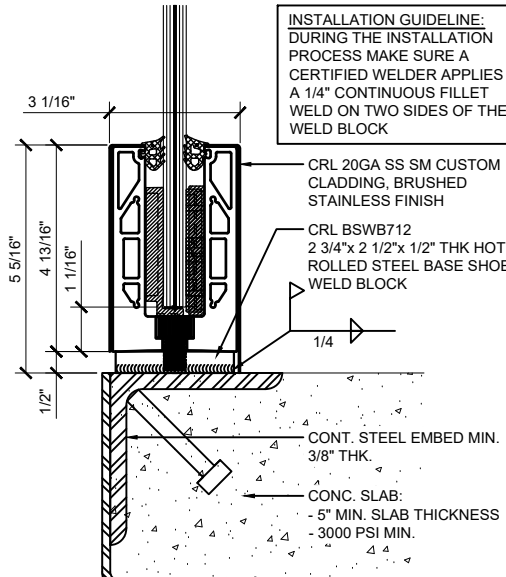
SURFACE MOUNT DETAIL CONCRETE SUBSTRATE

ANCHOR SPACING WILL DEPEND ON MOUNTING SUBSTRATE AND REGION OF PROJECT
12" O.C. SPACING IS STANDARD



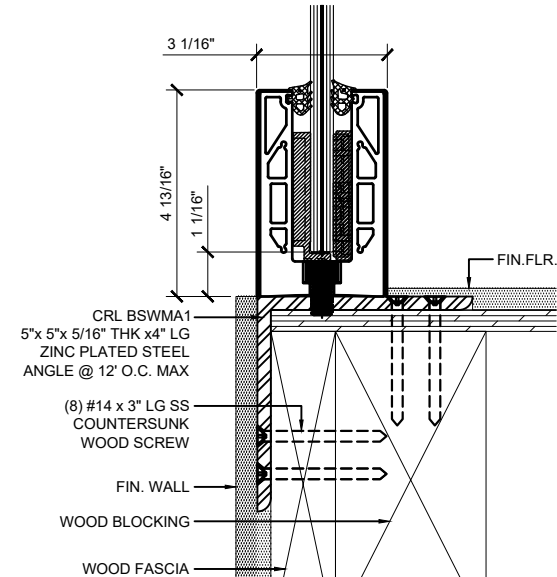
SURFACE MOUNT DETAIL STEEL SUBSTRATE

12" ON CENTER ANCHOR SPACING



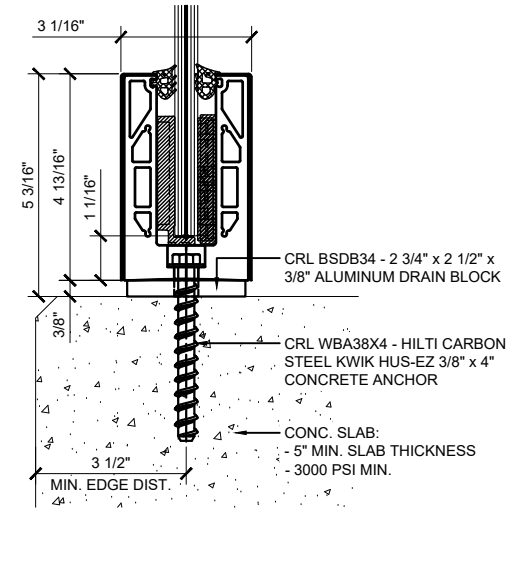
SURFACE MOUNT DETAIL STEEL SUBSTRATE W/ WELD BLOCK

12" ON CENTER ANCHOR SPACING



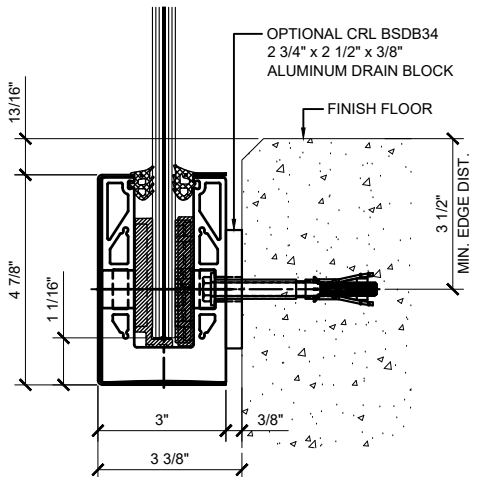
SURFACE MOUNT DETAIL WOOD SUBSTRATE

12" ON CENTER ANCHOR SPACING



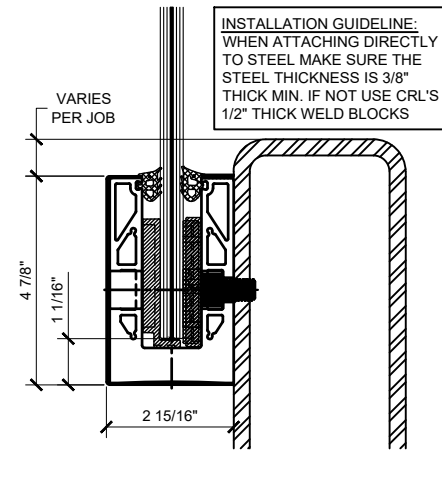
SURFACE MOUNT DETAIL CONCRETE SUBSTRATE W/ DRAIN BLOCK

ANCHOR SPACING WILL DEPEND ON MOUNTING SUBSTRATE AND REGION OF PROJECT
12" O.C. SPACING IS STANDARD



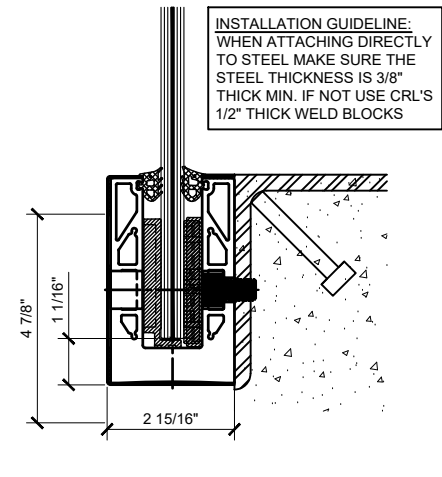
FASCIA MOUNT DETAIL CONCRETE SUBSTRATE

ANCHOR SPACING WILL DEPEND ON MOUNTING SUBSTRATE AND REGION OF PROJECT
12" O.C. SPACING IS STANDARD



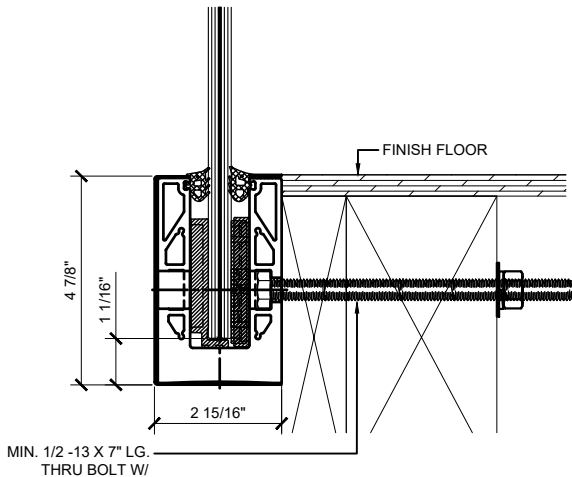
FASCIA MOUNT DETAIL STEEL SUBSTRATE

12" ON CENTER ANCHOR SPACING



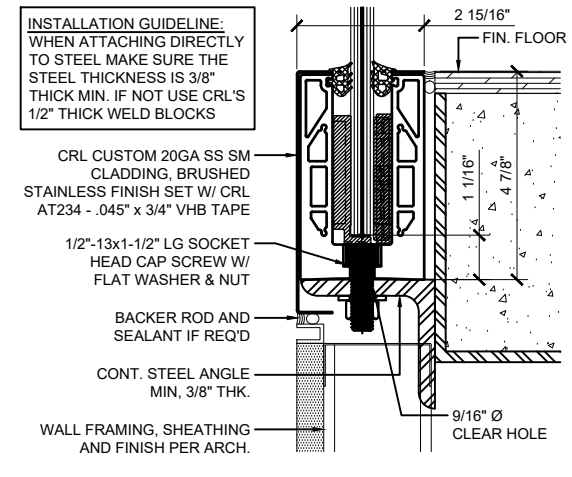
FASCIA MOUNT DETAIL STEEL SUBSTRATE

12" ON CENTER ANCHOR SPACING



FASCIA MOUNT DETAIL WOOD SUBSTRATE

ANCHOR SPACING WILL DEPEND ON MOUNTING SUBSTRATE AND REGION OF PROJECT
12" O.C. SPACING IS STANDARD



SURFACE MOUNT DETAIL STEEL SUBSTRATE W/ CUSTOM CLADDING

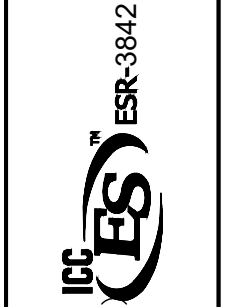
12" ON CENTER ANCHOR SPACING

Revisions By:

3	03/07/25	JO
2	01-31-25	AB
1	03-07-22	RPD

CRL

C.R. LAURENCE CO. ARCHITECTURAL PRODUCTS
13500 S. WILSON AVE., SUITE 100, WESTLAKE, CA 90068-1887
PH: (800) 421-8144 FAX: 800-567-7501 WWW: CRLINC.COM

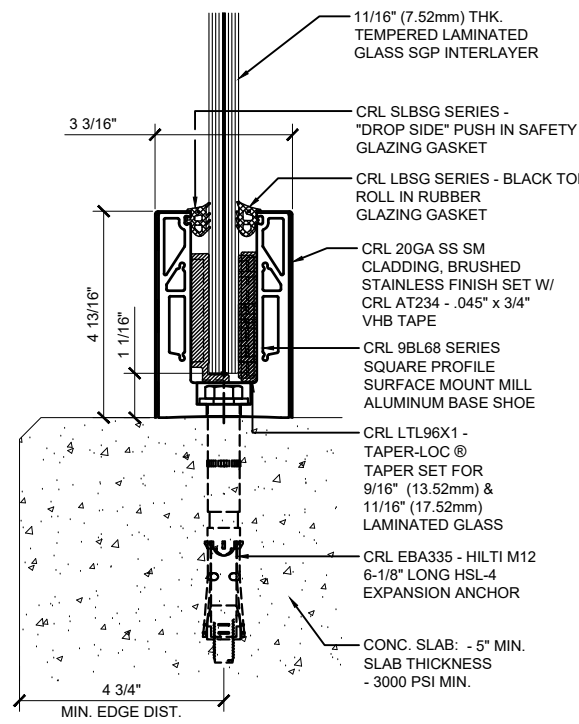


GRS RAILING SYSTEM FOR TEMPERED LAMINATED GLASS MOUNT AND FASCIA MOUNT OPTIONS
9/16" (13.52mm), 1 1/16" (17.52mm), 27/32" (21.52mm) & 1 1/16" (25.52mm) THK. GLASS

ELEVATIONS AND SECTIONS SURFACE MOUNT AND FASCIA MOUNT OPTIONS

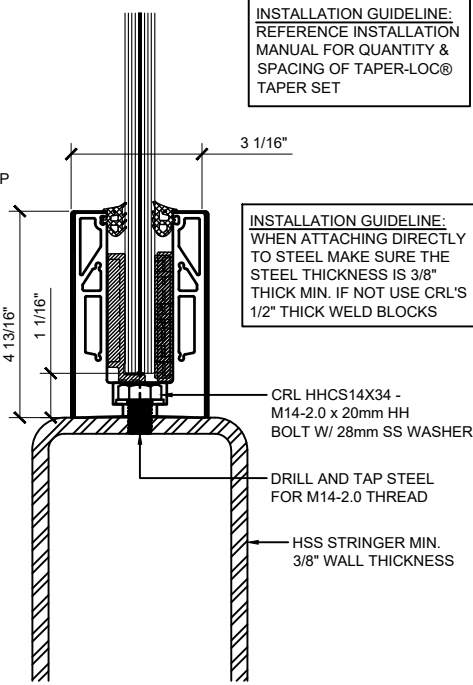
Drawn By: JG / RPD
Date: 12/03/2021
Scale: AS NOTED
File Name: CRL GRS Laminated Glass Railing System.dwg

TYPICAL BASE SHOE ATTACHMENTS USING THE 9BL68 SERIES BASE SHOE WITH TAPER-LOC® SYSTEM



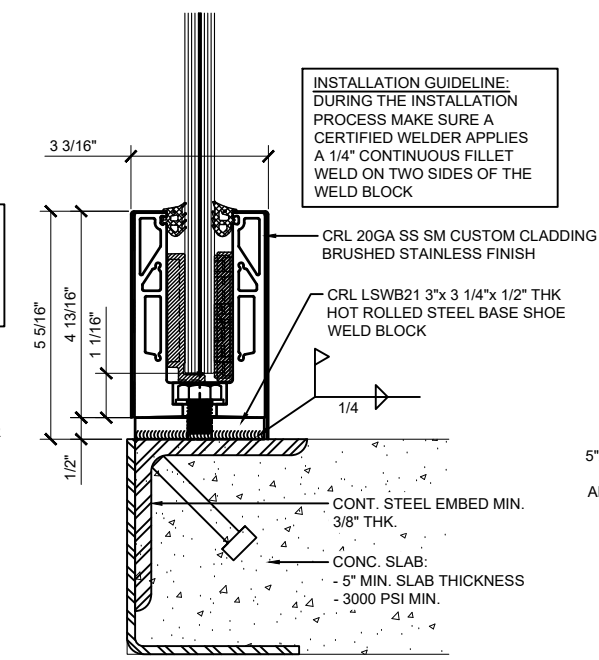
**SURFACE MOUNT DETAIL
CONCRETE SUBSTRATE**

ANCHOR SPACING WILL DEPEND ON MOUNTING SUBSTRATE AND REGION OF PROJECT
11 13/16" (300MM) O.C. SPACING IS STANDARD



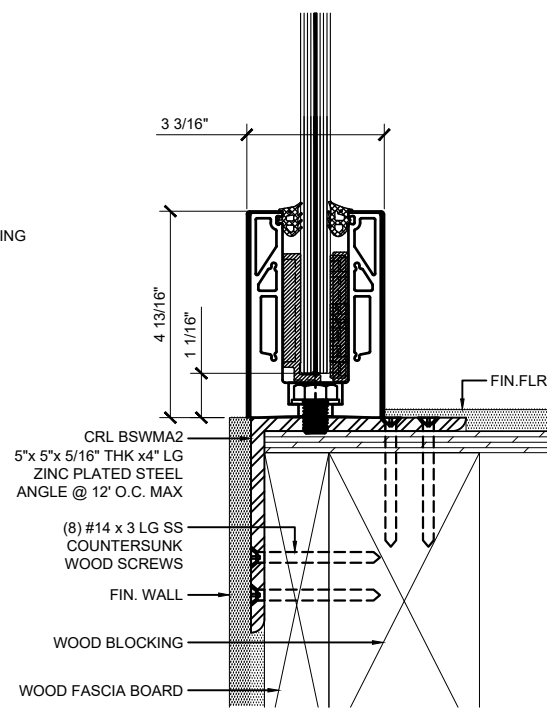
**SURFACE MOUNT DETAIL
STEEL SUBSTRATE**

11 13/16" (300MM) ON CENTER ANCHOR SPACING



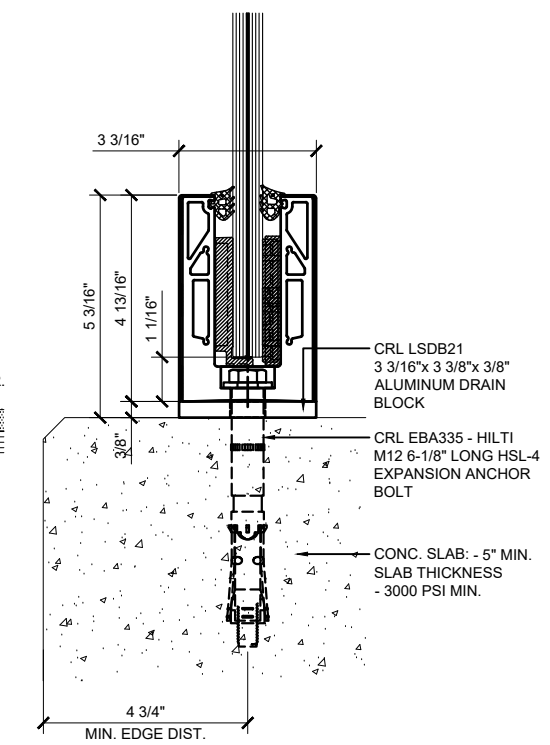
**SURFACE MOUNT DETAIL
STEEL SUBSTRATE W/ WELD BLOCK**

11 13/16" (300MM) ON CENTER ANCHOR SPACING



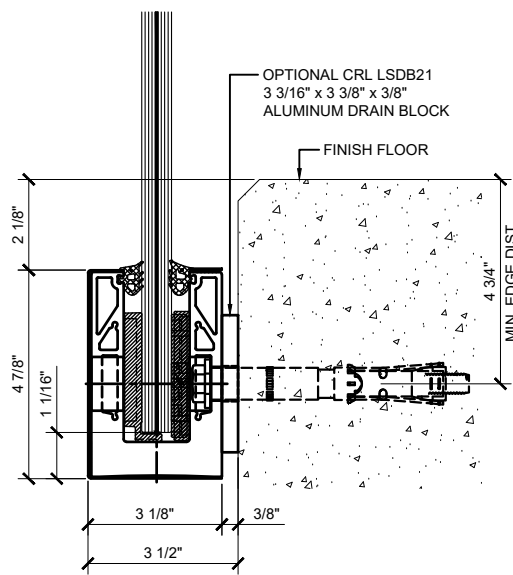
**SURFACE MOUNT DETAIL
WOOD SUBSTRATE**

11 13/16" (300MM) ON CENTER ANCHOR SPACING



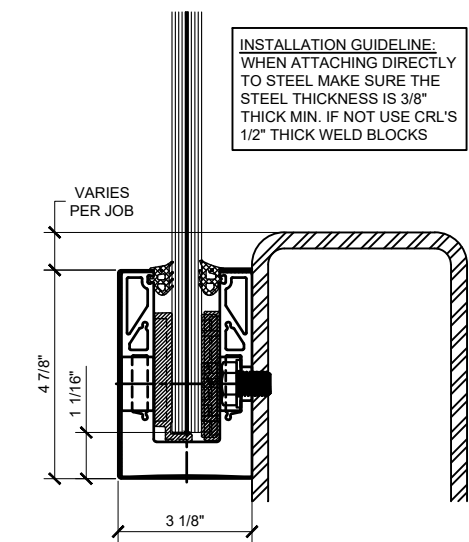
**SURFACE MOUNT DETAIL
CONCRETE SUBSTRATE W/ DRAIN BLOCK**

ANCHOR SPACING WILL DEPEND ON MOUNTING SUBSTRATE AND REGION OF PROJECT
11 13/16" (300MM) O.C. SPACING IS STANDARD



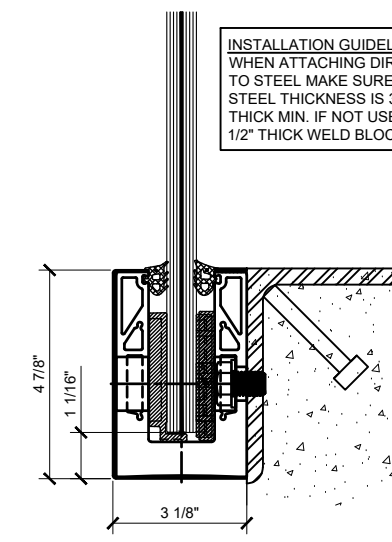
**FASCIA MOUNT DETAIL
CONCRETE SUBSTRATE**

ANCHOR SPACING WILL DEPEND ON MOUNTING SUBSTRATE AND REGION OF PROJECT
11 13/16" (300MM) O.C. SPACING IS STANDARD



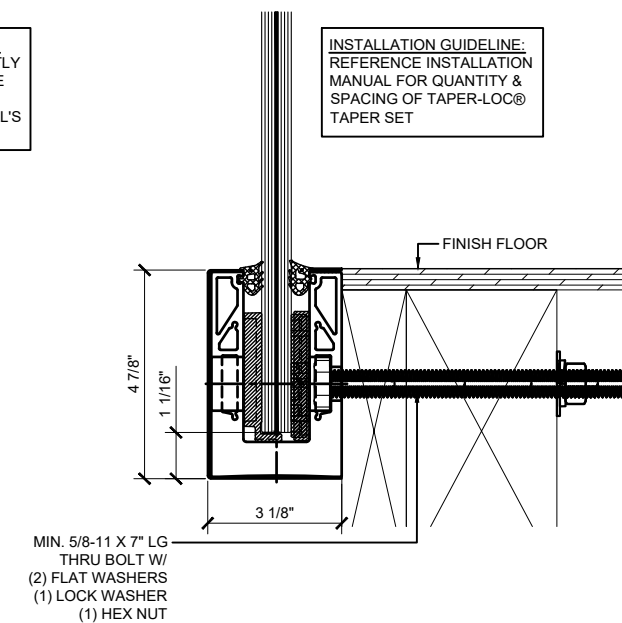
**FASCIA MOUNT DETAIL
STEEL SUBSTRATE**

11 13/16" (300MM) ON CENTER ANCHOR SPACING



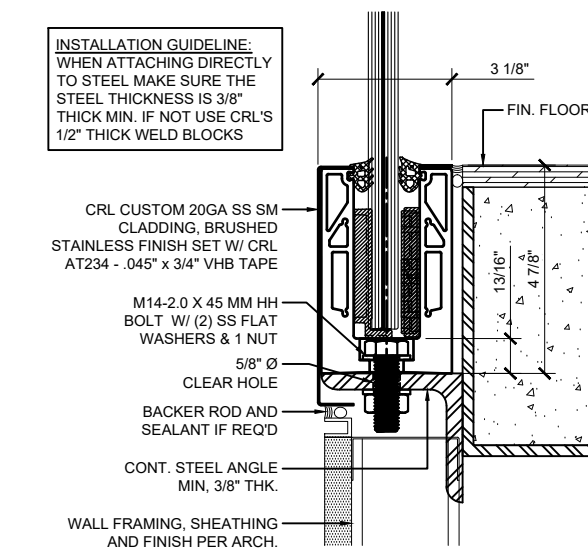
**FASCIA MOUNT DETAIL
STEEL SUBSTRATE**

11 13/16" (300MM) ON CENTER ANCHOR SPACING



**FASCIA MOUNT DETAIL
WOOD SUBSTRATE**

ANCHOR SPACING WILL DEPEND ON MOUNTING SUBSTRATE AND REGION OF PROJECT
11 13/16" (300MM) O.C. SPACING IS STANDARD



**SURFACE MOUNT DETAIL
STEEL SUBSTRATE W/ CUSTOM CLADDING**

11 13/16" (300MM) ON CENTER ANCHOR SPACING

INSTALLATION GUIDELINE:
REFERENCE INSTALLATION MANUAL FOR QUANTITY & SPACING OF TAPER-LOC® TAPER SET

INSTALLATION GUIDELINE:
WHEN ATTACHING DIRECTLY TO STEEL MAKE SURE THE STEEL THICKNESS IS 3/8" THICK MIN. IF NOT USE CRL'S 1/2" THICK WELD BLOCKS

INSTALLATION GUIDELINE:
DURING THE INSTALLATION PROCESS MAKE SURE A CERTIFIED WELDER APPLIES A 1/4" CONTINUOUS FILLET WELD ON TWO SIDES OF THE WELD BLOCK

INSTALLATION GUIDELINE:
WHEN ATTACHING DIRECTLY TO STEEL MAKE SURE THE STEEL THICKNESS IS 3/8" THICK MIN. IF NOT USE CRL'S 1/2" THICK WELD BLOCKS

INSTALLATION GUIDELINE:
WHEN ATTACHING DIRECTLY TO STEEL MAKE SURE THE STEEL THICKNESS IS 3/8" THICK MIN. IF NOT USE CRL'S 1/2" THICK WELD BLOCKS

INSTALLATION GUIDELINE:
REFERENCE INSTALLATION MANUAL FOR QUANTITY & SPACING OF TAPER-LOC® TAPER SET

INSTALLATION GUIDELINE:
WHEN ATTACHING DIRECTLY TO STEEL MAKE SURE THE STEEL THICKNESS IS 3/8" THICK MIN. IF NOT USE CRL'S 1/2" THICK WELD BLOCKS

Revisions By:	
3	03/07/25 JO
2	01-31-25 AB
1	03-07-22 RPD

CRL
C.R. LAURENCE CO. ARCHITECTURAL PRODUCTS
17005 - 170th Ave. #100
Torrance, CA 90508-1887
PH: (800) 421-8144 FAX: 800-557-7501 www.crlusa.com

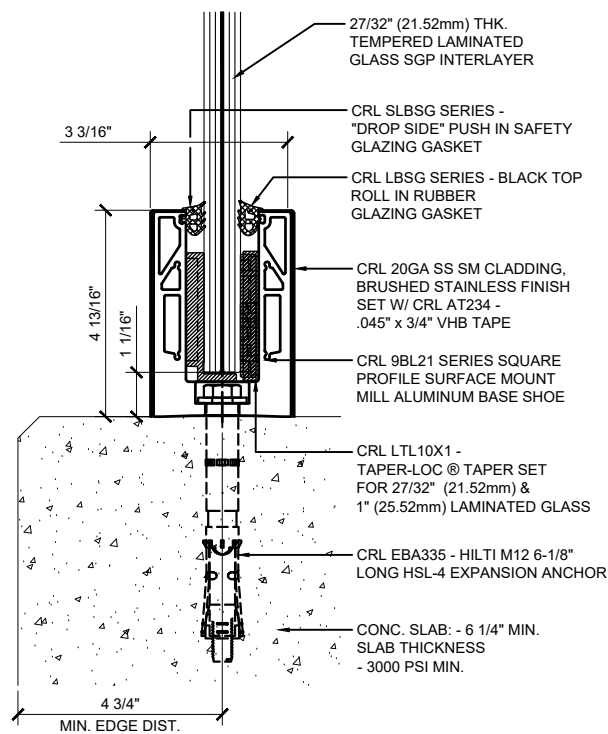
ICC ESR-3842

GRS
Description:
GLASS RAILING SYSTEM FOR TEMPERED LAMINATED GLASS (13.52mm), 11/16" (17.52mm) & 1 1/16" (25.52mm) THK. GLASS

BASE SHOE OPTIONS
SURFACE & FASCIA MOUNT

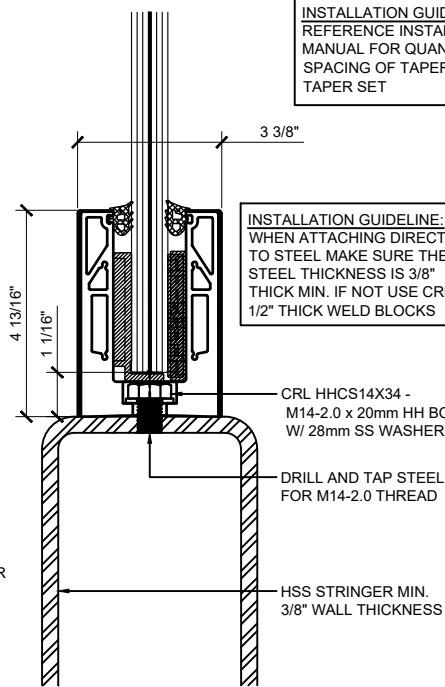
Drawn By: JG / RPD
Date: 12/03/2021
Scale: AS NOTED
File Name: CRL GRS Laminated Glass Railing System.dwg

TYPICAL BASE SHOE ATTACHMENTS USING THE 9BL21 SERIES BASE SHOE WITH TAPER-LOC® SYSTEM



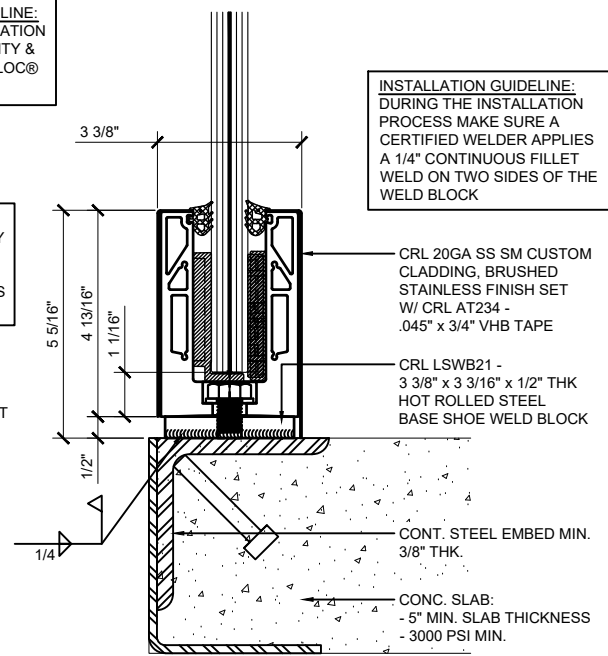
**SURFACE MOUNT DETAIL
CONCRETE SUBSTRATE**

ANCHOR SPACING WILL DEPEND ON MOUNTING
SUBSTRATE AND REGION OF PROJECT
11 13/16" (300mm) O.C. IS STANDARD



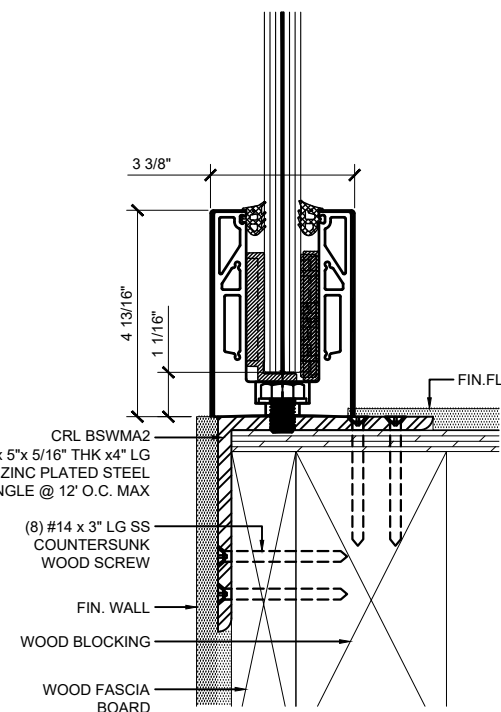
**SURFACE MOUNT DETAIL
STEEL SUBSTRATE**

11 13/16" (300mm) ON CENTER ANCHOR SPACING



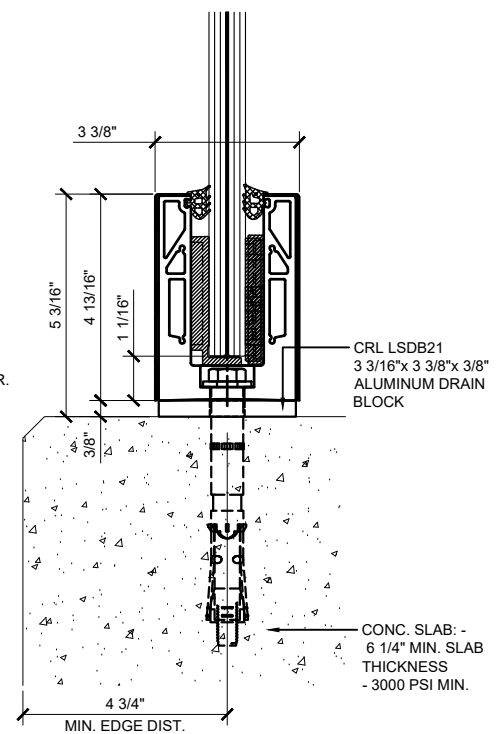
**SURFACE MOUNT DETAIL
STEEL SUBSTRATE W/ WELD BLOCK**

11 13/16" (300mm) ON CENTER ANCHOR SPACING



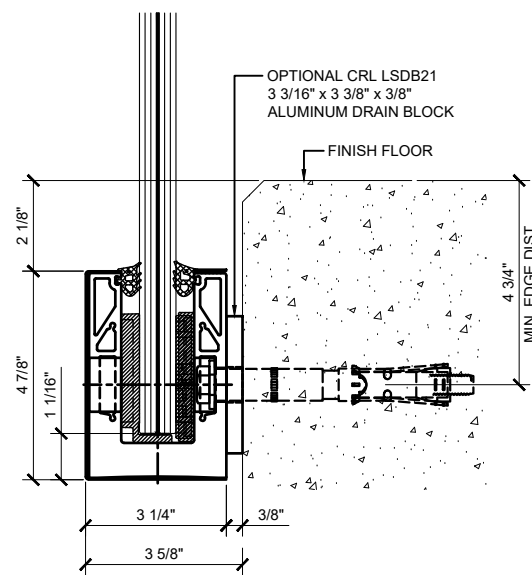
**SURFACE MOUNT DETAIL
WOOD SUBSTRATE**

11 13/16" (300mm) ON CENTER ANCHOR SPACING



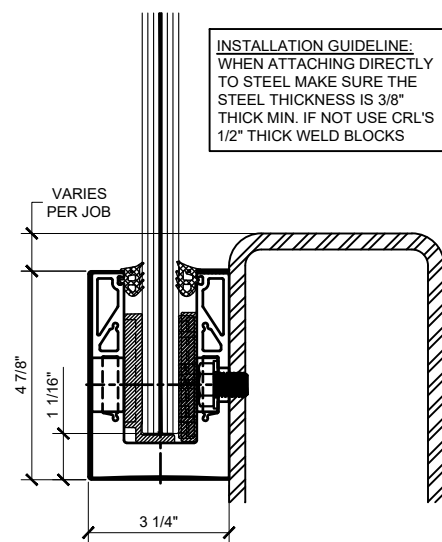
**SURFACE MOUNT DETAIL
CONCRETE SUBSTRATE W/ DRAIN BLOCK**

ANCHOR SPACING WILL DEPEND ON MOUNTING
SUBSTRATE AND REGION OF PROJECT
11 13/16" (300mm) O.C. IS STANDARD



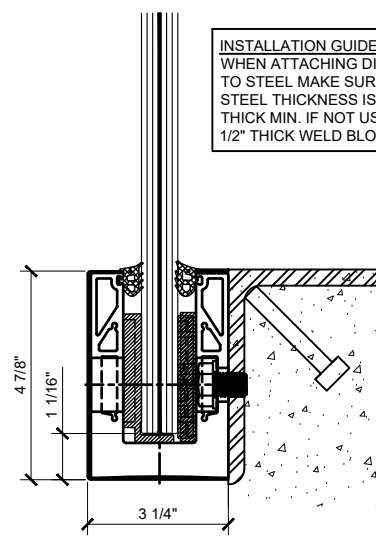
**FASCIA MOUNT DETAIL
CONCRETE SUBSTRATE**

ANCHOR SPACING WILL DEPEND ON MOUNTING
SUBSTRATE AND REGION OF PROJECT
11 13/16" (300mm) O.C. SPACING IS STANDARD



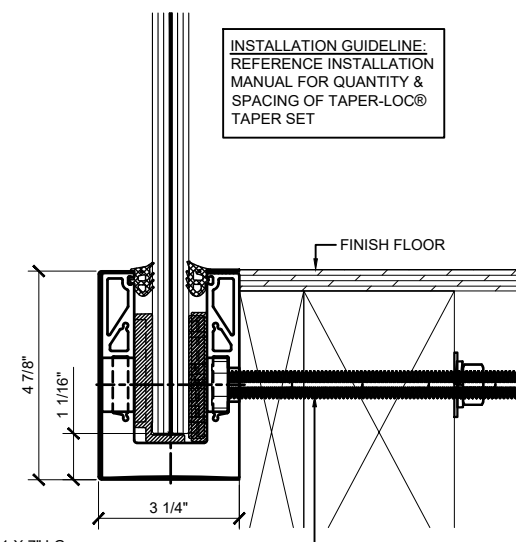
**FASCIA MOUNT DETAIL
STEEL SUBSTRATE**

11 13/16" (300mm) ON CENTER ANCHOR SPACING



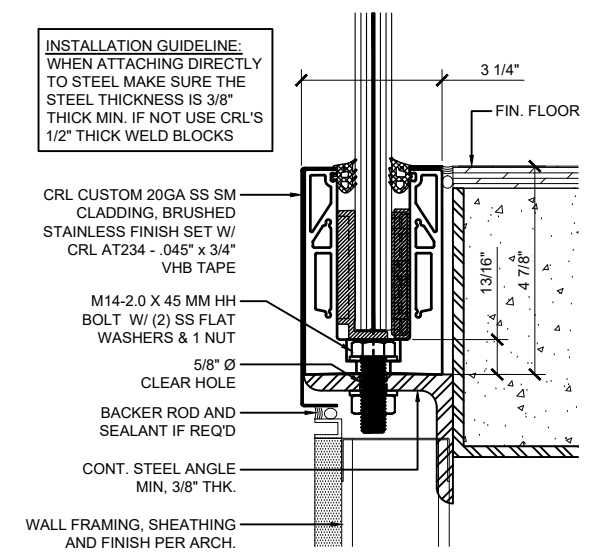
**FASCIA MOUNT DETAIL
STEEL SUBSTRATE**

11 13/16" (300mm) ON CENTER ANCHOR SPACING



**FASCIA MOUNT DETAIL
WOOD SUBSTRATE**

ANCHOR SPACING WILL DEPEND ON MOUNTING
SUBSTRATE AND REGION OF PROJECT
11 13/16" (300mm) O.C. SPACING IS STANDARD



**SURFACE MOUNT DETAIL
STEEL SUBSTRATE W/ CUSTOM CLADDING**

11 13/16" (300mm) ON CENTER ANCHOR SPACING

INSTALLATION GUIDELINE:
REFERENCE INSTALLATION
MANUAL FOR QUANTITY &
SPACING OF TAPER-LOC®
TAPER SET

INSTALLATION GUIDELINE:
WHEN ATTACHING DIRECTLY
TO STEEL MAKE SURE THE
STEEL THICKNESS IS 3/8"
THICK MIN. IF NOT USE CRL'S
1/2" THICK WELD BLOCKS

INSTALLATION GUIDELINE:
DURING THE INSTALLATION
PROCESS MAKE SURE A
CERTIFIED WELDER APPLIES
A 1/4" CONTINUOUS FILLET
WELD ON TWO SIDES OF THE
WELD BLOCK

INSTALLATION GUIDELINE:
WHEN ATTACHING DIRECTLY
TO STEEL MAKE SURE THE
STEEL THICKNESS IS 3/8"
THICK MIN. IF NOT USE CRL'S
1/2" THICK WELD BLOCKS

INSTALLATION GUIDELINE:
WHEN ATTACHING DIRECTLY
TO STEEL MAKE SURE THE
STEEL THICKNESS IS 3/8"
THICK MIN. IF NOT USE CRL'S
1/2" THICK WELD BLOCKS

INSTALLATION GUIDELINE:
REFERENCE INSTALLATION
MANUAL FOR QUANTITY &
SPACING OF TAPER-LOC®
TAPER SET

INSTALLATION GUIDELINE:
WHEN ATTACHING DIRECTLY
TO STEEL MAKE SURE THE
STEEL THICKNESS IS 3/8"
THICK MIN. IF NOT USE CRL'S
1/2" THICK WELD BLOCKS

Revisions By:	
△	-
△	-
△	03/07/25 JO
△	01-31-25 AB
△	03-07-22 RPD

CRL

C.R. LAURENCE CO. ARCHITECTURAL PRODUCTS
1700 S. WILSON AVE. SUITE 100
COSTA MESA, CA 92626-1887
PH: (800) 421-8144 FAX: (800) 557-7501
WWW.CRLARCHITECTURAL.COM

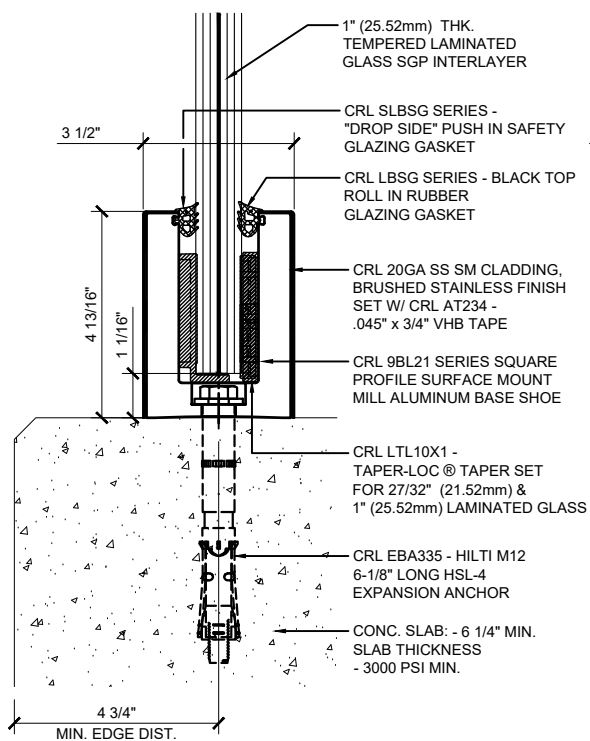
ICC ESR-3842

GRS
Description:
GLASS RAILING SYSTEM
FOR TEMPERED LAMINATED
GLASS
BASE SHOE OPTIONS
SURFACE & FASCIA MOUNT

GLASS RAILING SYSTEM
FOR TEMPERED LAMINATED
GLASS
16" (13.52mm), 11/16" (17.52mm)
& 1 1/16" (25.52mm)
(25.52mm)
THK. GLASS

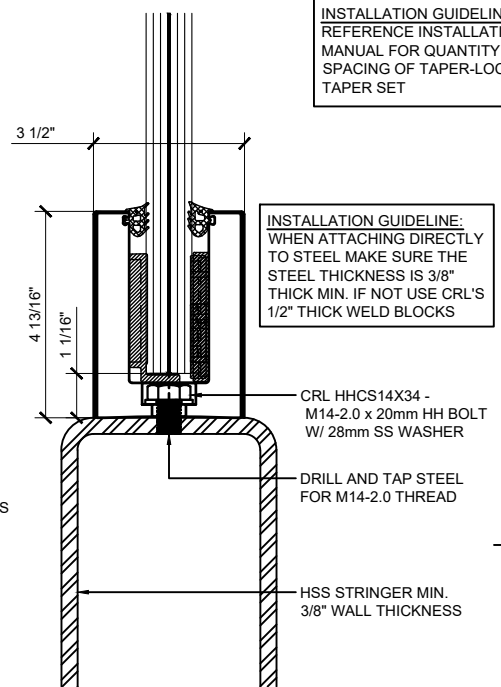
Drawn By: JG / RPD
Date: 12/03/2021
Scale: AS NOTED
File Name:
CRL GRS Laminated Glass Railing System.dwg

TYPICAL BASE SHOE ATTACHMENTS USING THE L25S SERIES BASE SHOE WITH TAPER-LOC® SYSTEM



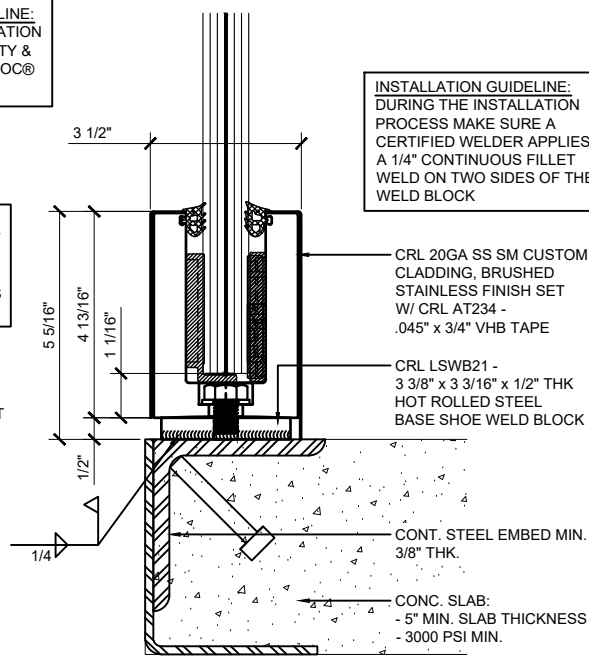
**SURFACE MOUNT DETAIL
CONCRETE SUBSTRATE**

ANCHOR SPACING WILL DEPEND ON MOUNTING SUBSTRATE AND REGION OF PROJECT
11 13/16" (300mm) O.C. IS STANDARD



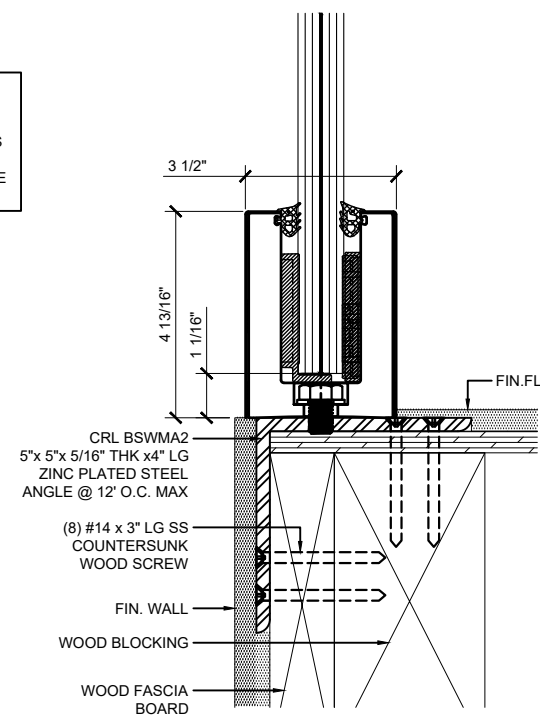
**SURFACE MOUNT DETAIL
STEEL SUBSTRATE**

11 13/16" (300mm) ON CENTER ANCHOR SPACING



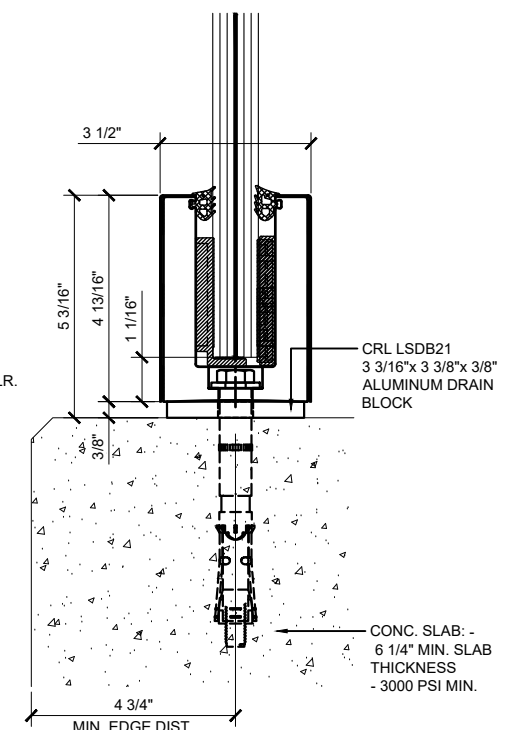
**SURFACE MOUNT DETAIL
STEEL SUBSTRATE W/ WELD BLOCK**

11 13/16" (300mm) ON CENTER ANCHOR SPACING



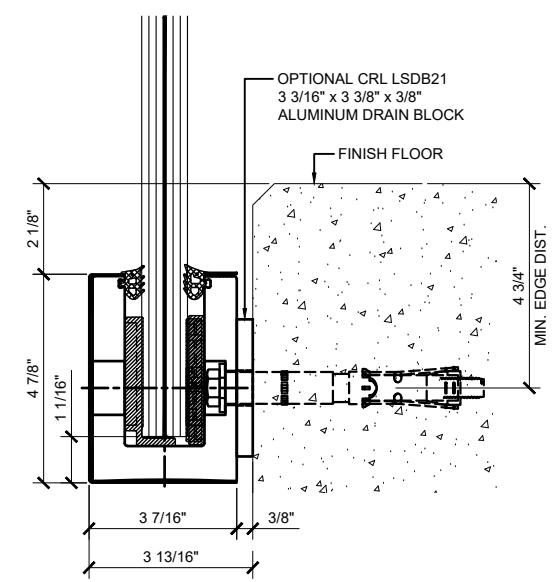
**SURFACE MOUNT DETAIL
WOOD SUBSTRATE**

11 13/16" (300mm) ON CENTER ANCHOR SPACING



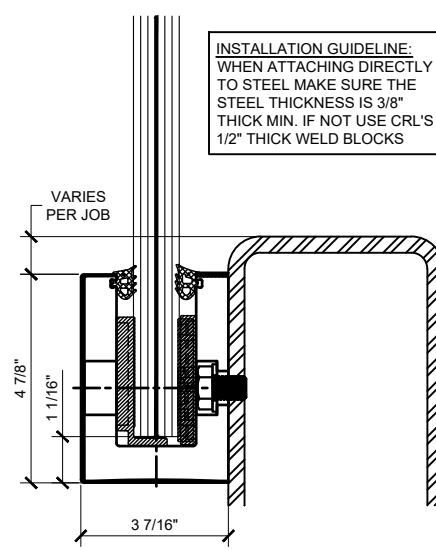
**SURFACE MOUNT DETAIL
CONCRETE SUBSTRATE W/ DRAIN BLOCK**

ANCHOR SPACING WILL DEPEND ON MOUNTING SUBSTRATE AND REGION OF PROJECT
11 13/16" (300mm) O.C. IS STANDARD



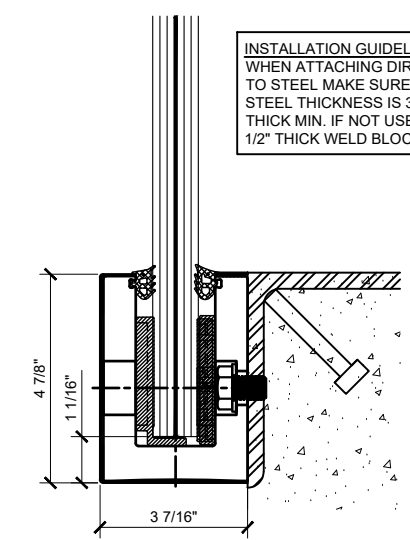
**FASCIA MOUNT DETAIL
CONCRETE SUBSTRATE**

ANCHOR SPACING WILL DEPEND ON MOUNTING SUBSTRATE AND REGION OF PROJECT
11 13/16" (300mm) O.C. SPACING IS STANDARD



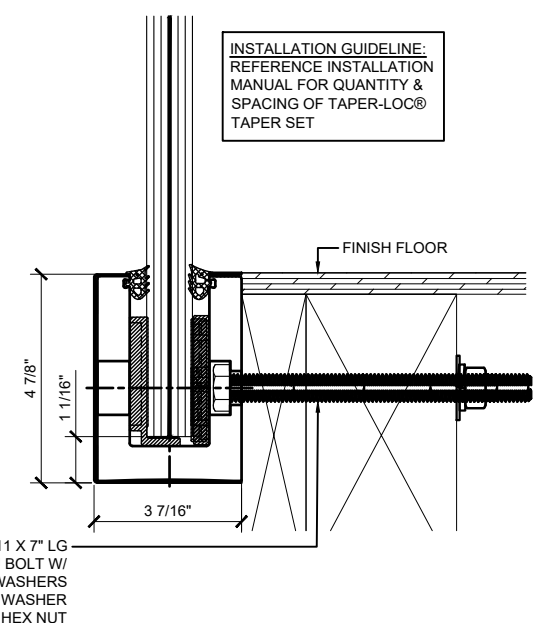
**FASCIA MOUNT DETAIL
STEEL SUBSTRATE**

11 13/16" (300mm) ON CENTER ANCHOR SPACING



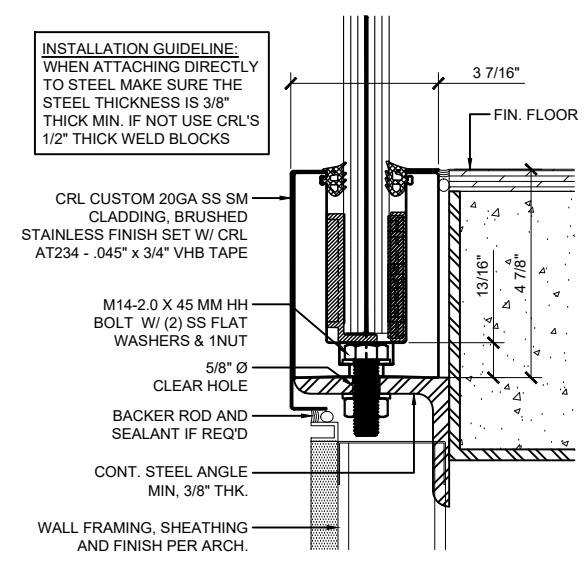
**FASCIA MOUNT DETAIL
STEEL SUBSTRATE**

11 13/16" (300mm) ON CENTER ANCHOR SPACING



**FASCIA MOUNT DETAIL
WOOD SUBSTRATE**

ANCHOR SPACING WILL DEPEND ON MOUNTING SUBSTRATE AND REGION OF PROJECT
11 13/16" (300mm) O.C. SPACING IS STANDARD



**SURFACE MOUNT DETAIL
STEEL SUBSTRATE W/ CUSTOM CLADDING**

11 13/16" (300mm) ON CENTER ANCHOR SPACING

INSTALLATION GUIDELINE:
REFERENCE INSTALLATION
MANUAL FOR QUANTITY &
SPACING OF TAPER-LOC®
TAPER SET

INSTALLATION GUIDELINE:
WHEN ATTACHING DIRECTLY
TO STEEL MAKE SURE THE
STEEL THICKNESS IS 3/8"
THICK MIN. IF NOT USE CRL'S
1/2" THICK WELD BLOCKS

INSTALLATION GUIDELINE:
DURING THE INSTALLATION
PROCESS MAKE SURE A
CERTIFIED WELDER APPLIES
A 1/4" CONTINUOUS FILLET
WELD ON TWO SIDES OF THE
WELD BLOCK

INSTALLATION GUIDELINE:
WHEN ATTACHING DIRECTLY
TO STEEL MAKE SURE THE
STEEL THICKNESS IS 3/8"
THICK MIN. IF NOT USE CRL'S
1/2" THICK WELD BLOCKS

INSTALLATION GUIDELINE:
WHEN ATTACHING DIRECTLY
TO STEEL MAKE SURE THE
STEEL THICKNESS IS 3/8"
THICK MIN. IF NOT USE CRL'S
1/2" THICK WELD BLOCKS

INSTALLATION GUIDELINE:
REFERENCE INSTALLATION
MANUAL FOR QUANTITY &
SPACING OF TAPER-LOC®
TAPER SET

INSTALLATION GUIDELINE:
WHEN ATTACHING DIRECTLY
TO STEEL MAKE SURE THE
STEEL THICKNESS IS 3/8"
THICK MIN. IF NOT USE CRL'S
1/2" THICK WELD BLOCKS

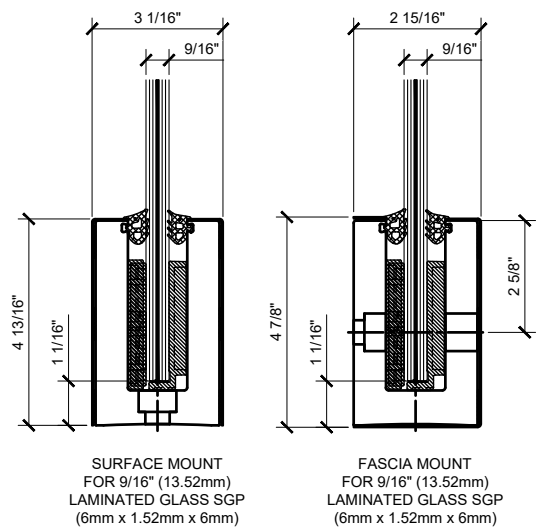
Revisions By:	
△	-
△	-
△	03/07/25 JO
△	01-31-25 AB
△	03-07-22 RPD

CRL
C.R. LAURENCE CO. ARCHITECTURAL PRODUCTS
1700 S. WILSON AVE. SUITE 100
IRVINE, CA 92614-1887
PH: (949) 421-8144 FAX: 949-557-7501 WWW.CRLINC.COM

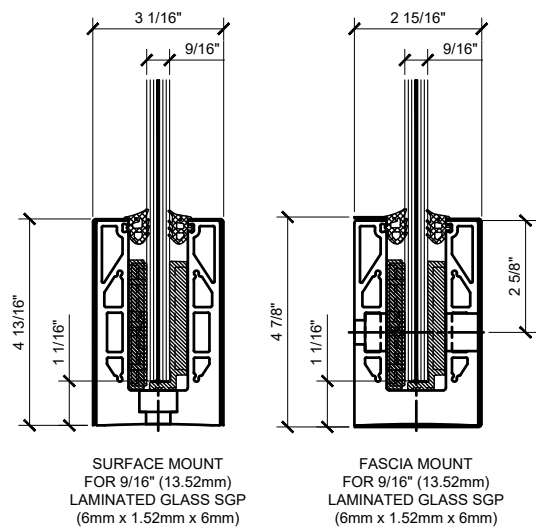
ICC ESR-3842

GRS
Description:
GLASS RAILING SYSTEM
FOR TEMPERED LAMINATED
GLASS
BASE SHOE OPTIONS
SURFACE & FASCIA MOUNT
THK. GLASS
(25.52mm)

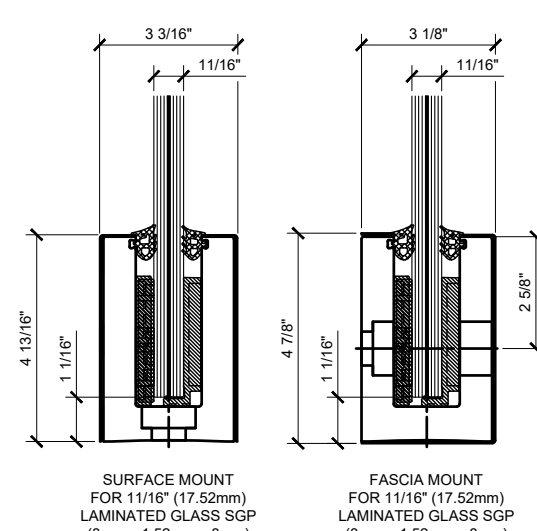
Drawn By: JG / RPD
Date: 12/03/2021
Scale: AS NOTED
File Name:
CRL GRS Laminated Glass Railing System.dwg



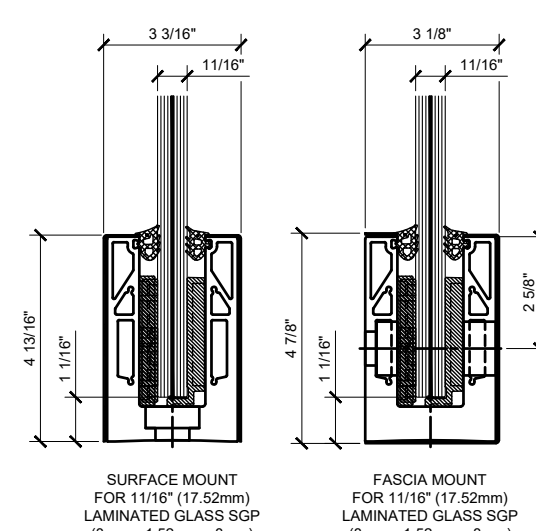
L56S SERIES BASE SHOE
LTL96X1 TAPER-LOC®



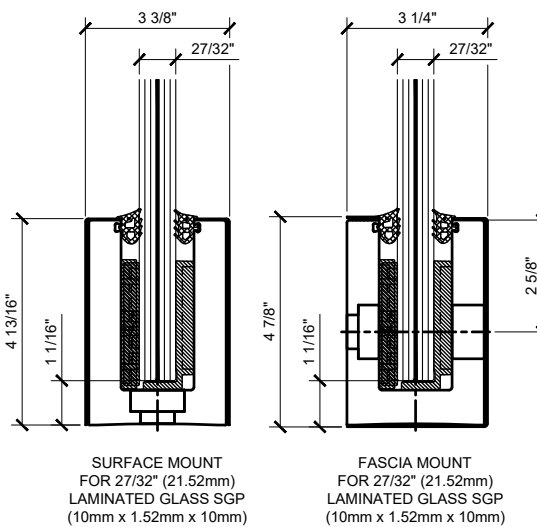
9BL56 SERIES BASE SHOE
LTL96X1 TAPER-LOC®



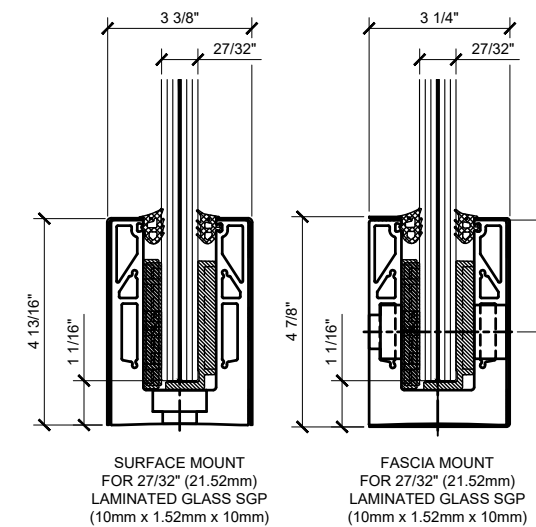
L68S SERIES BASE SHOE
LTL96X1 TAPER-LOC®



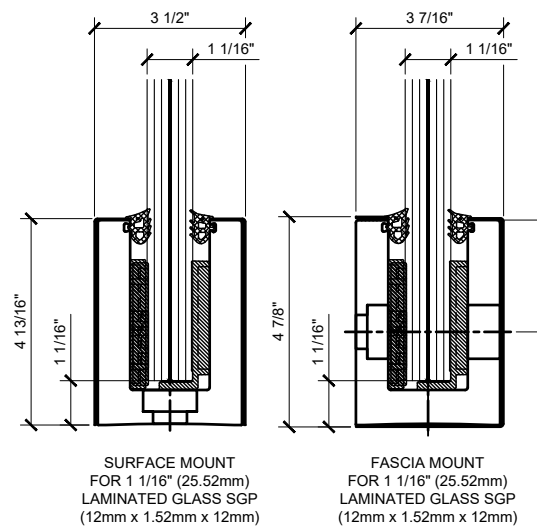
9BL68 SERIES BASE SHOE
LTL96X1 TAPER-LOC®



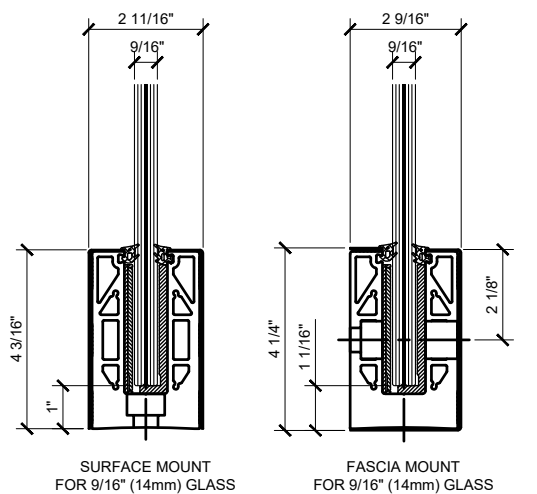
L21S SERIES BASE SHOE
LTL10X1 TAPER-LOC®



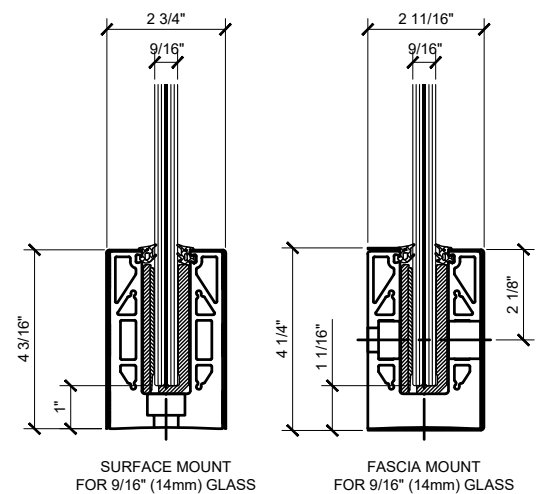
9BL21 SERIES BASE SHOE
LTL10X1 TAPER-LOC®



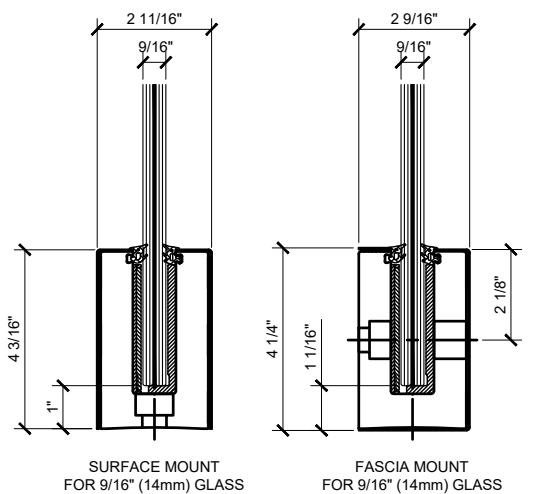
L25S SERIES BASE SHOE
LTL10X1 TAPER-LOC®



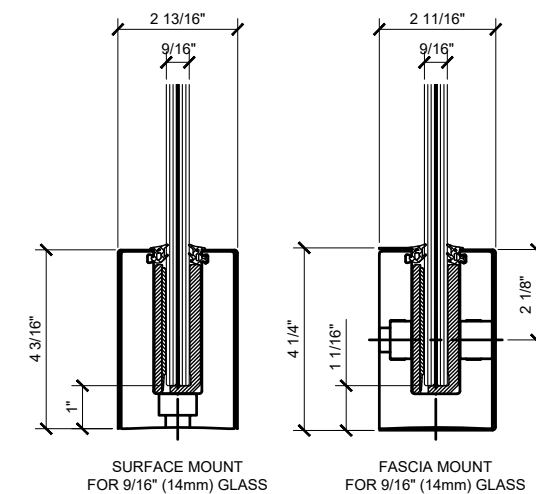
8B SERIES BASE SHOE
LTL10X1 TAPER-LOC®



8B58 SERIES BASE SHOE
TLS TAPER-LOC



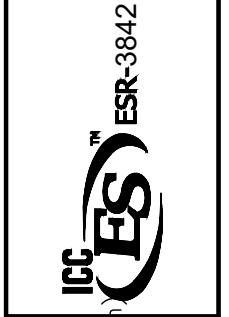
B5S SERIES BASE SHOE
TLS TAPER-LOC



B6N SERIES BASE SHOE
TLS TAPER-LOC

Revisions By:		
△	-	-
△	-	-
△	03/07/25	JO
△	01-31-25	AB
△	03-07-22	RPD

CRL
C.R. LAURENCE CO. ARCHITECTURAL PRODUCTS
13305 - 1st Street, Suite 100, Los Angeles, CA 90058-1887
PH: (800) 421-8144 FAX: 800-557-7501 www.crlusa.com

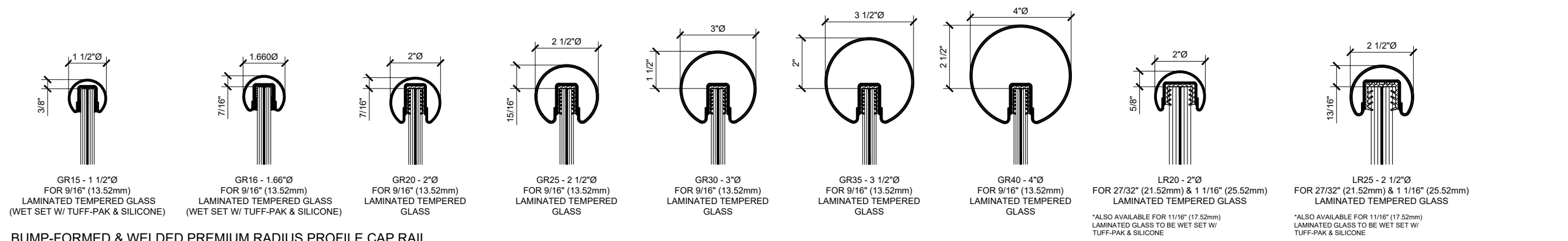


Description: GRS
GLASS RAILING SYSTEM
FOR TEMPERED LAMINATED
GLASS (13.52mm), 11/16" (17.52mm),
27/32" (21.52mm) & 1 1/16"
(25.52mm)
THK. GLASS

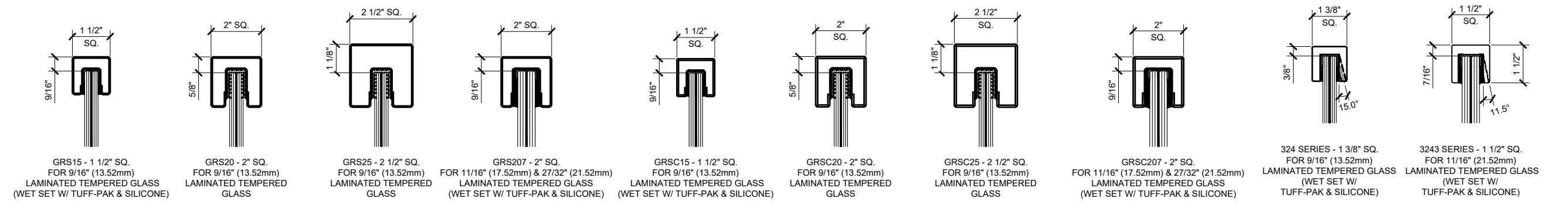
BASE SHOE OPTIONS
SURFACE & FASCIA MOUNT

Drawn By: JG / RPD
Date: 12/03/2021
Scale: AS NOTED
File Name:

CRL GRS Laminated Glass Railing System.dwg
Sheet



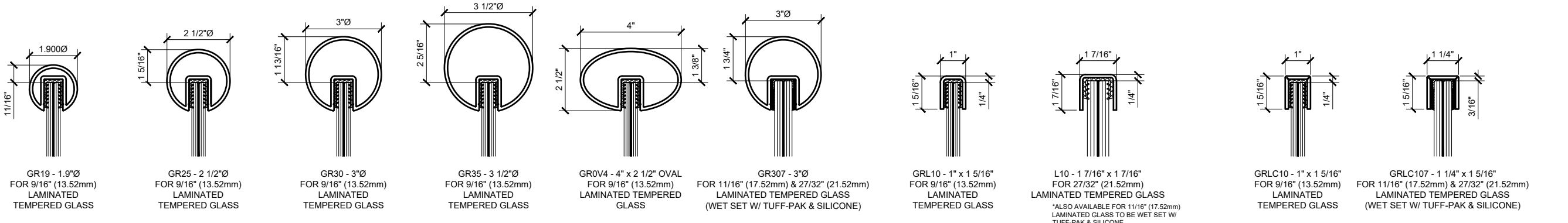
BUMP-FORMED & WELDED PREMIUM RADIUS PROFILE CAP RAIL



BUMP-FORMED & WELDED PREMIUM SQUARE PROFILE CAP RAIL

SQUARE PROFILE CRISP CORNER CAP RAIL

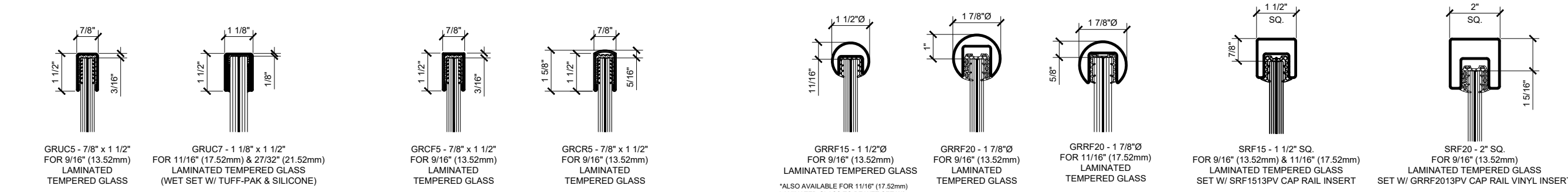
BLUMCRAFT® EXTRUDED SOLID ALUM. CAP RAIL



EXTRUDED ALUMINUM CAP RAIL

LOW PROFILE 11 GAUGE CAP RAIL

LOW PROFILE 11 GAUGE CRISP CORNER CAP RAIL



U-CHANNEL 18 GAUGE CAP RAIL

U-CHANNEL 18 GAUGE CRISP CORNER CAP RAIL

ROLL-FORMED CAP RAIL

Revisions By:

△	-	-
△	-	-
△	03/07/25	JO
△	01-31-25	AB
△	03-07-22	RPD

CRL
C.R. LAURENCE CO. ARCHITECTURAL PRODUCTS
1700 S. GARDEN AVENUE
P.O. BOX 1887
CANAAN, CA 90008-1887
PH: (800) 421-8144 FAX: 800-567-7501 www.crlusa.com

ICC ESR-3842
ES

Description:
GRS RAILING SYSTEM
GLASS RAILING SYSTEM
FOR TEMPERED LAMINATED
FOR 9/16" (13.52mm), 11/16" (17.52mm),
27/32" (21.52mm) & 1 1/16" (25.52mm)
THK. GLASS

CAP RAIL OPTIONS

Drawn By: JG / RPD
Date: 12/03/2021
Scale: AS NOTED
File Name: CRL_GRS Laminated Glass Railing System.dwg