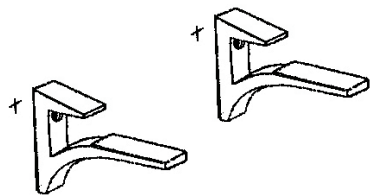


CRL Shelf Clips Installation Steps



1. Choose Locations of Shelf Clips: Preferably on wall studs, and make level marks for screws. 40" (1016 mm) is the maximum span between Clips.

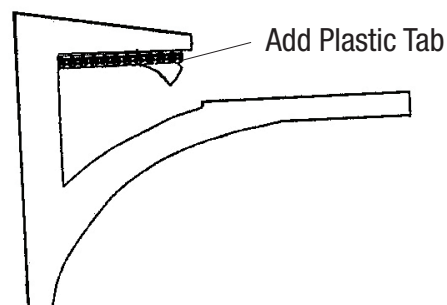
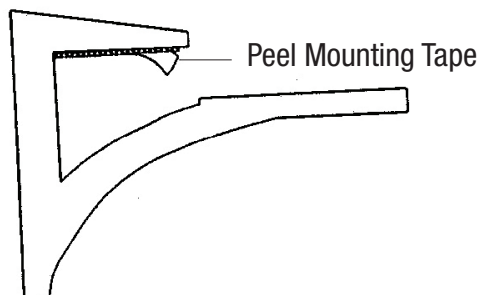
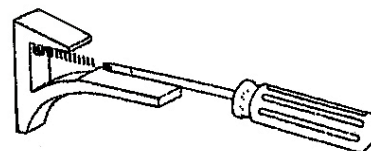
NOTE: Clips should be at least 1-1/2" to 2" (38 to 51 mm) in from each end.

2. Install Shelf Clips to Wall:

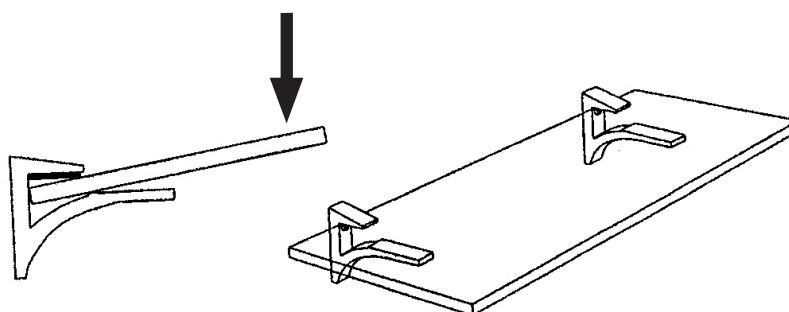
On Stud: Pre-drill 1/8" (3 mm) hole, hold Clip in place as shown and screw in fastener supplied until tight to wall. 80 lb. (36 kg) weight capacity when properly installed.

Hollow Wall: Use 3/16" x 3" (4.8 x 76.2 mm) toggle bolt. Put toggle bolt through Shelf Clip. Install and tighten until fittings are tight to wall. 60 lb. (27 kg) weight capacity when properly installed.

Cement or Other: Use proper fasteners. 80 lb. (36 kg) weight capacity when properly installed.



3. Install Shelf: Peel mounting tape and carefully put Plastic Tab supplied in place (plastic side up-mounting tape down). Put shelf in place but tilted up so shelf does not come in contact with mounting tape. Make sure shelf is centered and with shelf all the way back, lower front so back of shelf comes into contact with mounting tape.



Parts Included:

- Pair of Shelf Clips
- 2 Screws (for installation on stud)
- Plastic Inserts
- 3/8" (10 mm) Tempered Glass

CAT. NO. 624SCK

6" x 24" Shelf Size

CAT. NO. 1024SCK

10" x 24" Shelf Size

CAT. NO. 1036SCK

10" x 36" Shelf Size