

COMPANY NAME _____ PHONE _____
 CONTACT _____ ACCOUNT NO. _____ FAX _____
 JOB NAME _____ EMAIL _____

QUOTE ORDER P.O. # _____ DATE _____

DOOR SWING CHART



Use the Door Swing Chart to determine how the door(s) should be handed.

SERIES	THICKNESS	STANDARD PROFILE DIMENSIONS		
		STILE	TOP RAIL	BOTTOM RAIL
375T MEDIUM STILE	2-5/8"	3-3/4" 3-9/16"	3-1/8"	6" or 10"

DOOR STILE APPLICATION

- Thermal Entrance
- 375T Medium Moderate to Heavy Traffic
 - 3-3/4" For Butt Hung
 - 3-9/16" For Geared Hinge

DOOR FINISH

- 11 - Clear Anodized
- 22 - Dark Bronze Anodized
- 33 - Black Anodized
- 52 - Bone White 70% KYNAR® (2-Coat)
- 71 - Standard 70% KYNAR® (2-Coat)
Standard Color per Chart- Specify _____
- 71 - Custom 70% KYNAR® (2-Coat) - Specify _____
- 71 - Custom 70% KYNAR® (3-Coat) - Specify _____

DOOR SWING OUTSWING ONLY QTY

- LHR Hinge Left Swing Out _____ ea.
- RHR Hinge Right Swing Out _____ ea.
- PAIR Swing Out _____ ea.

DOOR GLAZING STOPS

- 1" (25 mm) Square Glass Stops

TOP RAIL

- 3-1/8"

BOTTOM RAIL

- 6"
- 10"

DOOR SWEEP

- Included With Each Door Leaf

DOOR HINGING

- 1-1/2 Pair Butt Hinges CAT. NO. PBBHD 4.5 X 4.5
- Additional Butt Hinge Add _____ per Door
- Continuous Geared Hinge
CAT. NO. PEMKO FMSL1

NOTE : No Substitutions Available

LOCKING OPTIONS

- Adams Rite 1853-450 w/CYL B/B
 - CYL Exterior T-Turn Interior
- Adams Rite 4900 Latch With
Exterior CYL/Paddle Interior
- Adams Rite 1853 x 4015 x 4016 3PT Lock
 - For Pair
 - CYL B/B
 - CYL Exterior T-Turn Interior

PANIC DEVICES

- Jackson 1285 CVR
 - w/CYL Exit Only
- Jackson 1295 Rim Panic
 - w/CYL Exit Only
- Jackson 896 Removable Mullion
For Pairs (Supplied Loose/No Prep)
- Von Duprin 98 Rim w/299 Strike
 - Trim EO DT NL OP
- Von Duprin 99 Rim Panic w/299 Strike
 - Trim EO DT NL OP
- Von Duprin 33A Rim Panic w/299 Strike
 - Trim EO DT NL OP
- Von Duprin 35A Rim Panic w/Strike
 - Trim EO DT NL OP
- Adams Rite G88 Rim Panic
 - Trim Ext Cylinder Exit Only
 - 3080 Trim w/Cyl
- CRL-Blumcraft Panice Exit Only

PUSH/PULL HARDWARE

- Standard Push/Pull CAT. NO. PR034/032
- Offset Pulls PR032

- None _____
- Prep and Supply Prep Only

NOTE: Prep Only Requires Manufacturing Name, Model, and Template

Manufacturer: _____
 Model: _____

DOOR CLOSER

- CRL Surface Mount Closer (Supply)
- Drop Plate
- By Others

FOR OFFICE USE ONLY

TAKEN BY: _____
 PRICED BY: _____
 EDITED BY: _____

Max Size: 48" x 96" For Single
 Max Size: 96" x 96" For Pair

CLEARANCES/THRESHOLD

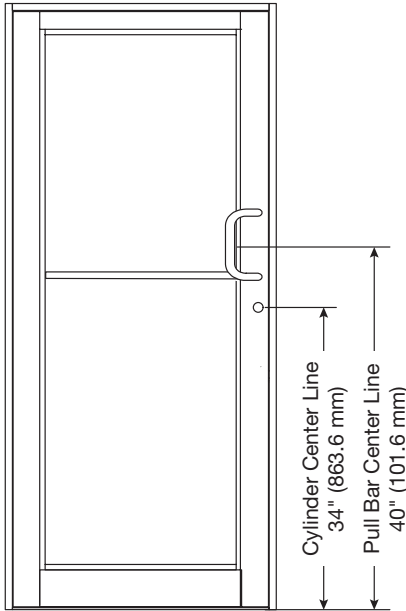
- Clearance from Bottom of Door to Finish Floor
- 3/8" Standard

FRAME SYSTEM

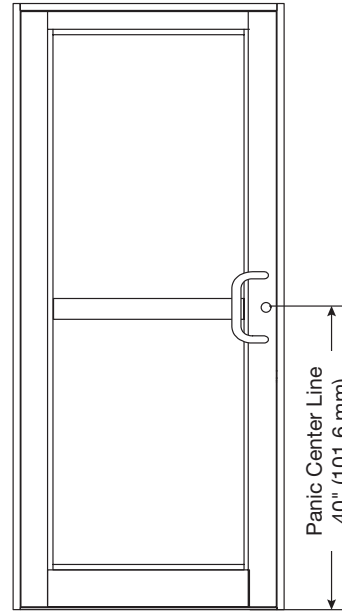
- Series 45X 2" x 4-1/2"
- Subframe 1" x 4-1/2"

FRAME TYPE

- Up and Over (No Transom)
- 126" (3.2 m) High With Transom



FINISHED FLOOR



FINISHED FLOOR

(Standard For All Panic Hardware)

ADDITIONAL NOTES OR SKETCHES

<p>ADDITIONAL NOTES OR SKETCHES</p>											
<p>Grid area for notes or sketches.</p>											

FOR OFFICE USE ONLY

TAKEN BY: _____

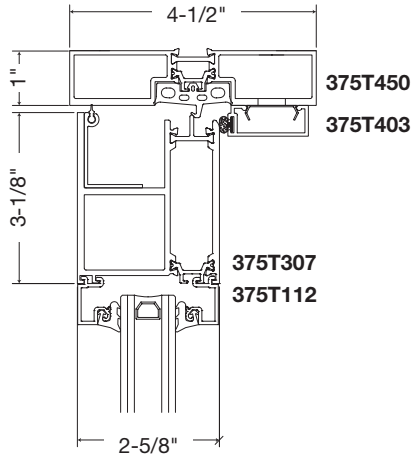
PRICED BY: _____

EDITED BY: _____

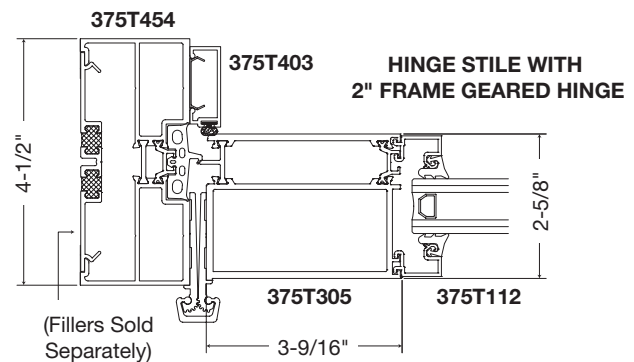
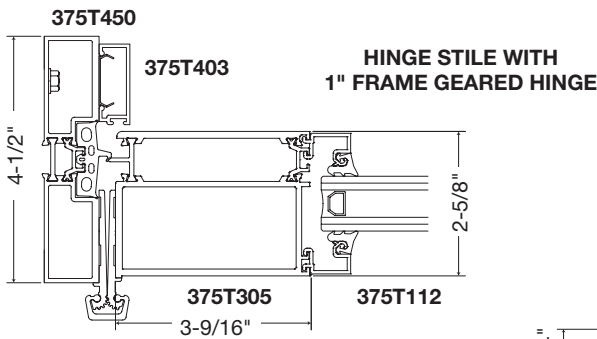
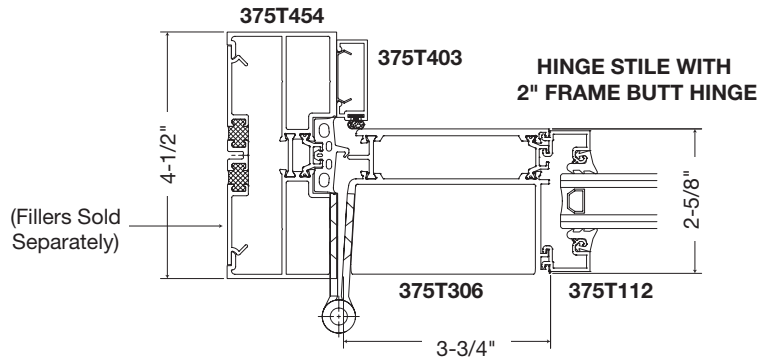
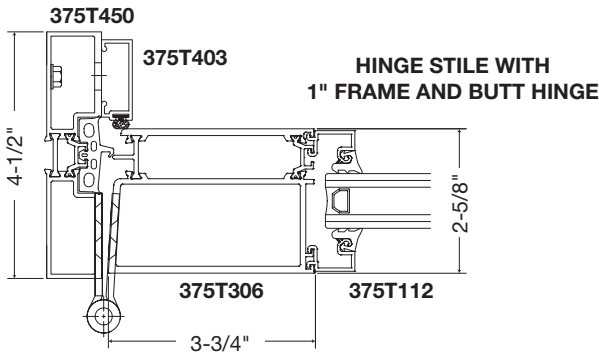
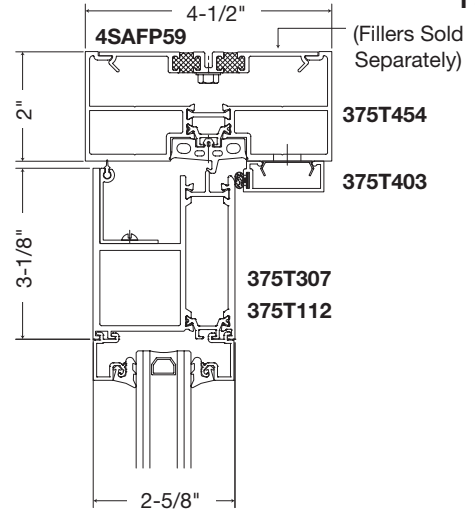
APPROVED BY _____

DATE _____

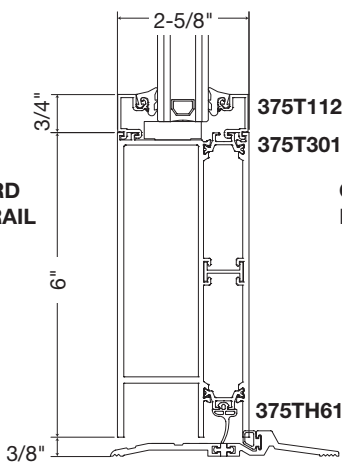
TOP RAIL WITH 1" FRAME



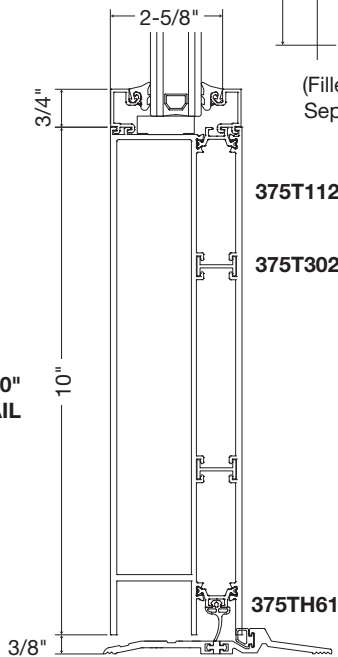
TOP RAIL WITH 2" FRAME



STANDARD BOTTOM RAIL



OPTIONAL 10" BOTTOM RAIL



NOTE: Refer To Installation Instructions.