

DRILL .203 & TAP 1/4-20
 THREADS 38-5/32" FROM BOTTOM OF
 DOOR AND "L" DIMENSION ACROSS.
 INSTALL (1) 1/4-20 SHOULDER
 BOLT.

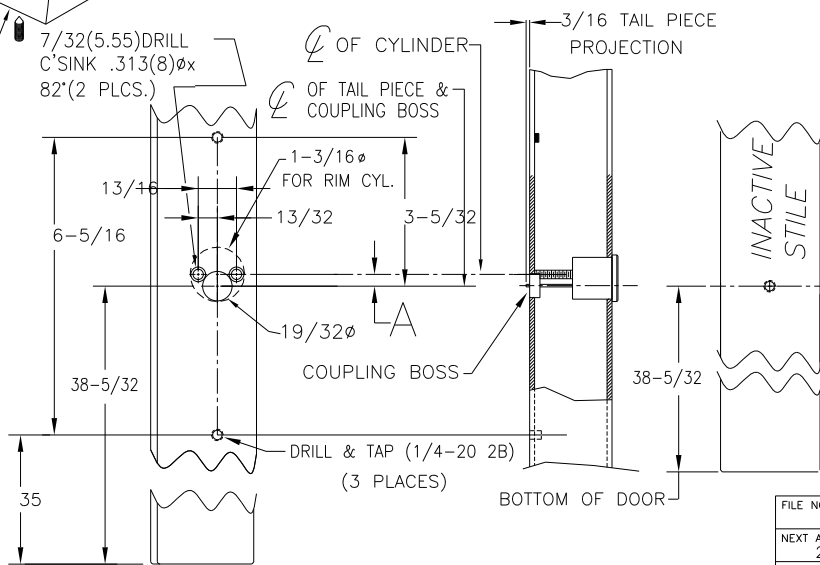
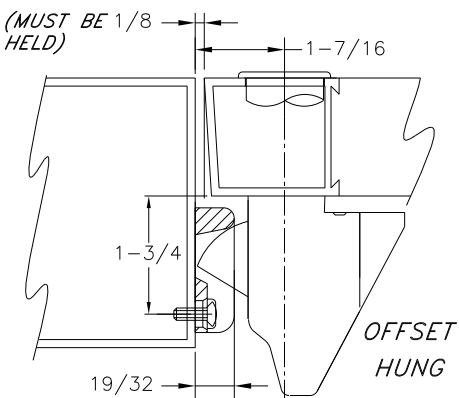
MOUNTING INSTRUCTIONS:

1. PREPARE LOCK STILE PER TEMPLATE NO. 10-916 DRILL CYLINDER MOUNTING HOLES IF REQUIRED.
2. IF OUTSIDE TRIM IS BEING USED, FOLLOW DRILL TEMPLATE 10-997.
3. LOCATE CENTERLINE OF CYLINDER ON EXTERIOR OF DOOR AND DRILL IF REQUIRED.
4. TRIM TAIL PIECE TO FIT (3/16" PROJECTION FROM INSIDE FACE OF DOOR.)
5. MOUNT CYLINDER AND SECURE WITH MOUNTING SCREWS (SUPPLIED BY LOCK MFRG.)
6. TO LOCATE MOUNTING HOLE ON INACTIVE STILE DRILL & TAP 1/4-20 THDS. 38-5/32 FROM BTM. OF DOOR AND "L" DIM FROM ACTIVE STILE, AND INSTALL SHOULDER BOLT. TO INSTALL ACTIVE PAD INSTALL TWO SHOULDER BOLTS ON STILE.
7. MOUNT EXIT DEVICE AND TIGHTEN (3) 1/4-20 SOC. SET SCR'S. (2) ON ACTIVE PAD (1) ON INACTIVE END OF PANIC DEVICE.
8. TO INSTALL STRIKE LOCATE 10-24 TAPS ON ACTIVE STILE (2 PLACES).
9. MOUNT AND SECURE STRIKE.
10. CHECK OPERATION TO ASSURE THAT ALL PARTS INCLUDING CYLINDER IF BEING USED ARE FUNCTIONING PROPERLY.
11. DOGGING INSTRUCTIONS

TO DOG: :FULLY DEPRESS TOUCH BAR, PUSH DOGGING PIN, THEN RELEASE.
 TO UNDOG PUSH DOGGING PIN UP, BAR WILL RELEASE.
 12. WHEN ANTI-PICK CAM IS DEPRESSED BY STRIKE (BY HAVING DOOR CLOSED) LATCH WILL NOT RETRACT.

MODEL
 2095 "S" STRIKE
 LHRB (SHOWN)

FUNCTIONAL CYLINDERS	A	DOOR OPENING	"L"
ILCO LOCKWOOD YALE CORBIN SCHLAGE RUSSWIN WELCH KEIL	1/4" (6.35)	36" (914)	33-13/32" (848)
		42" (1066)	39-13/32" (1001)
		48" (1219)	45-13/32" (1153)
SARGENT	3/8" (9.53)		



FILE NO. 10-953	MATERIAL NONE	FINISH NONE	HEAT TREAT	APPROVALS	DATE
NEXT ASSY. 2095-KITS	QTY. USED 1	INSTALLATION GUIDE 2095 RIM DEVICE x "S" STRIKE		SHEET 1 OF 1 SHEETS DWG. NO. 10-953	

C 11/18/00 ADD NOTES FOR OUTSIDE TRIM ECN1439 RM
 B 12/13/99 REDUCE "L" DIM BY 11/32 ECN1326 RM
 DIMENSIONAL TOLERANCES UNLESS OTHERWISE SPECIFIED
 DECIMAL DIMENSIONS .XX ± .010
 DECIMAL DIMENSIONS .XXX ± .005
 ANGULAR ± ° | FRACTIONAL ± 1/64
 DRAWN RM 8/17/99
 SCALE NONE
JACKSON CORPORATION
 3447 UNION PACIFIC AVE.
 LOS ANGELES, CALIF. 90023