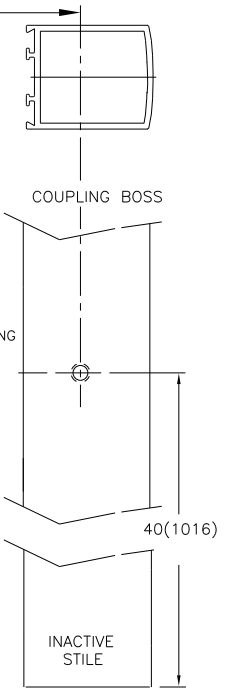
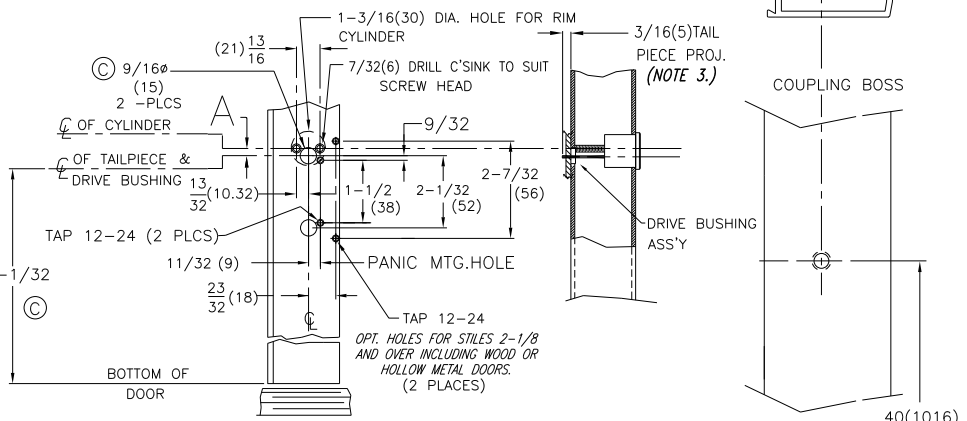
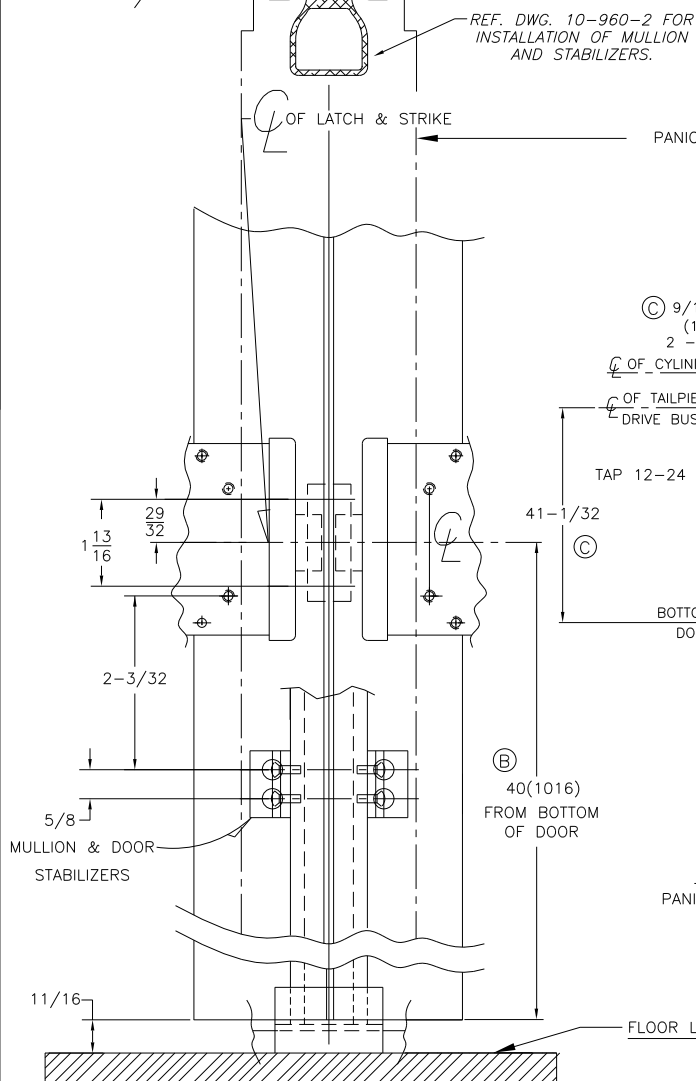
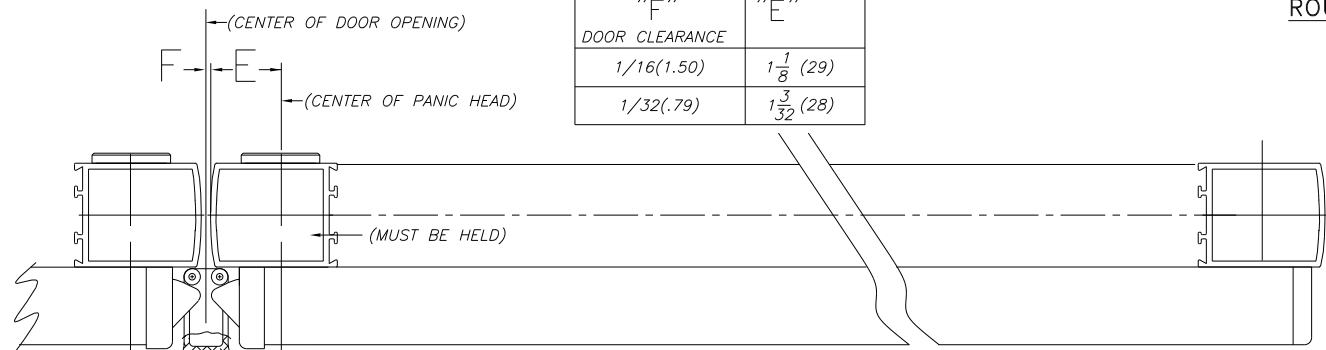


ROUTING INSTRUCTIONS 1295x896 PANIC:

1. PREPARE ACTIVE STILE PER VIEW #1
2. PREPARE INACTIVE STILE PER VIEW #3
3. DRILL CYLINDER MOUNTING HOLES ONLY IF REQUIRED.
4. MOUNT CYLINDER AND SECURE WITH MOUNTING SCREWS (SUPPLIED BY LOCK MFG.) SEE DETAIL "J"
6. LOCATE MOUNTING HOLE ON INACTIVE STILE DRILL & TAP 1/4-20 THDS. 40"(1016) FROM BTM. OF DOOR .
7. **PANIC ATTACHMENT**
REMOVE FRONT AND REAR END BASE COVERS BY RELEASING 6-32 x 3/16(5) FLAT HD. SCREWS. SECURE ACTIVE END OF PANIC BY INSTALLING 2 EACH 12-24x3/4(19) FLAT HD.M.S. SECURE INACTIVE END WITH SINGLE 1/4-20x1/2(13) ROUND HD. M.S. (PHIL.) WITH SEMS THROUGH INACTIVE BASE PLATE. PROCEED BY RE-INSTALLING BASE COVERS ON EACH END OF PANIC BASE.
8. LOCATE & DRILL MOUNTING HOLES FOR ADJUSTABLE STRIKE (CENTER ON LATCH.) MOUNT & SECURE STRIKE AS SHOWN.

"F"	"E"
DOOR CLEARANCE	
1/16(1.50)	1/8 (29)
1/32(.79)	1/32 (28)



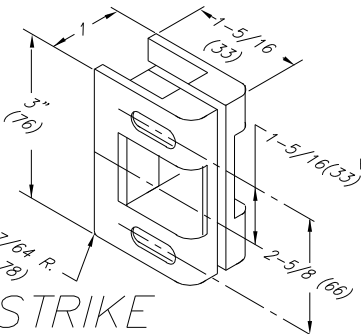
FUNCTIONAL CYLINDERS	A	DOOR OPENING	L
ILCO		36"(914)	33"(838)
LOCKWOOD		42"(1067)	39"(991)
YALE	1/4"	48"(1219)	45"(1143)
CORBIN	(6)		
SCHLAGE			
RUSSWIN			
WELCH			
KEIL			
SARGENT	3/8"		
	(10)		

VIEW 1

PANIC SIDE ACTIVE STILE

VIEW 3

HINGE SIDE VERTICAL STILE



"P" STRIKE

FILE NO. 10-960-1	FINISH	SCALE NONE	SHEET 1 OF 2 SHEETS
NEXT ASSY. 1295-KITS	HEAT TREAT	ROUTING INSTRUCTIONS 1295 x 896 MULLION	DWG. NO. 10-960
QTY. USED			REV. C

C 08.12.02 ADD 41-1/32, 9/16 WAS 19/32 DIM ECN1607 RM
 B 06/06/00 DEL DETAIL "J" 40" WAS 37" ADD 2nd 19/32 HOLE ECN1377 RM

DIMENSIONAL TOLERANCES UNLESS OTHERWISE SPECIFIED	APPROVALS	DATE
DECIMAL DIMENSIONS .XX ± .010	APPROVED	
DECIMAL DIMENSIONS .XXX ± .005	CHECKED	
ANGULAR ± ° FRACTIONAL ± 1/64	DRAWN	R.M. B/21/99

jackson
CORPORATION
3447 UNION PACIFIC AVE.
LOS ANGELES, CALIF. 90023