


# Sliding Door Systems

for Glass

Beautiful, easy to install systems



A modern kitchen and dining area featuring a glass table with four white chairs, a dark wood kitchen counter, and large glass partitions. The ceiling has recessed lighting. The text "Beautiful, easy to install systems..." is overlaid on the left side of the image.

**Beautiful,  
easy to install  
systems...**



## **CRL has a fantastic range of Sliding Door Hardware to suit a variety of glass door applications.**

The range consists of beautiful, easy to install systems, including the CRL280 series Top Hung Sliding Door System, the most versatile system of its kind. There are six different CRL280 kits to choose from, offering configurations with or without fixed panels, and the ability to mount either to the wall, ceiling or glass panels.

A great addition to the range is the new CRL50 and CRL70 Series Top Hung Sliding Door Systems which feature a sleek design that offers options for wall or ceiling mount for sliding glass doors with or without fixed panels. These top hung systems require no bottom track and the smooth sliding action allows for finger touch control.

For heavier glass door applications we have the GSDH Series Bottom Rolling Door System which features a unique design that gives the door the appearance that it is gliding on air. The top guide track mounts to the wall and provides for secure and smooth operation of the rolling panel. The GSDH Bottom Rolling System is a great alternative when the building structure cannot carry the load of a top hung system.

Further to CRL280, CRL50, CRL70 and GSDH Series we also feature the popular Laguna series and EZ – Slide Top Hung Single Track Sliding Door System for 10 and 12mm toughened glass within this brochure.

Our Sliding Door Hardware brochure only shows a small collection of products from our huge Architectural Door Hardware range, including Door Rails, Patch Fittings, Floor Springs, Handles and much more. For further details please view our AUAH11 catalogue online or request a hard copy.

**NEW** gentle door closing systems - see pages 15 & 18

**CRL**<sup>®</sup>  
crlaurence.com.au

For more information call FREE on

**1800 424 275**

e: [crl\\_au@crlaurence.com](mailto:crl_au@crlaurence.com) f: 1800 813 013



# CRL Laguna Series Sliding Glass Door System With Anti-Lift Safety Features



Typical Wall Mount Installation

- New anti-lift features for added safety
- All 316 alloy brushed stainless steel construction
- Ideal for interior applications
- For use with 10 or 12mm glass
- Comes with all fasteners needed for either flush (countersunk) or surface (straight hole) mounting
- Custom adaptor kits available for wood door applications



Soft close options available. Cat. No's. LSDSRH (right hand) & LSDSLH (left hand). Please call for details.



Typical Glass Mount Installation

We have upgraded our popular Laguna Series Sliding Glass Door System to now include a new 'anti-lift' feature. Through a combination of additions and very subtle changes, we have improved the performance, safety, and security while still offering a clean, simple look. The Laguna Series Sliding Glass Door System can be installed on glass partitions or directly to the side of a sufficiently reinforced wall. The adjustable Top Rollers make final adjustments quick and easy, without the need to remove the door. Their smooth operation and solid stainless steel construction minimizes maintenance issues.

CRL provides you with all the glass attachment fasteners for either flush mounting, requiring a countersunk hole, or surface mounting, requiring a straight hole. The glass attachment fasteners accommodate either 10 or 12mm toughened glass.

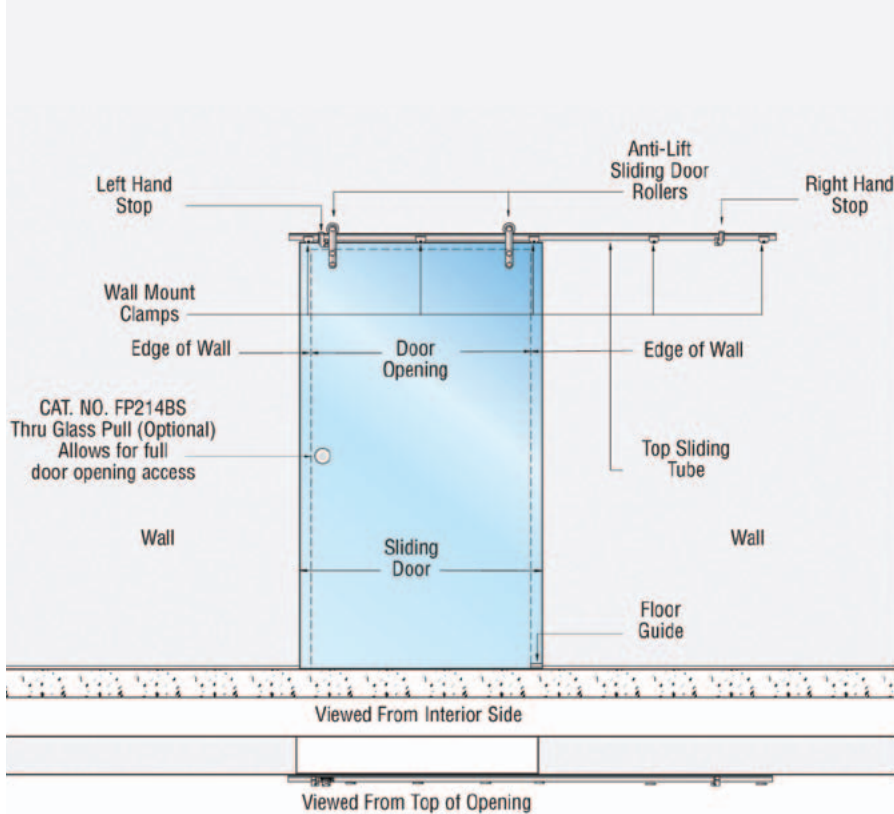
**NOTE:** Laminated glass cannot be used in these systems.

Standardized sets allow you to make planning and purchasing quick and easy for basic installations. We offer four different complete installation assemblies; two for wall mounting, and two for glass mounting. Available accessories give you the opportunity to customize the standard sets to accommodate the most imaginative designers. All components are sized to easily ship via UPS, which helps to keep your job costs and lead times down.

#### DOOR SYSTEM LIMITATIONS

Maximum door weight	100kg
Maximum panel width	1.36m
Maximum panel height	2.50m
Maximum track length	2.64m

# CRL Cat. No. LSWM3BS Laguna Series Single Sliding Door Wall Mount Installation Assembly

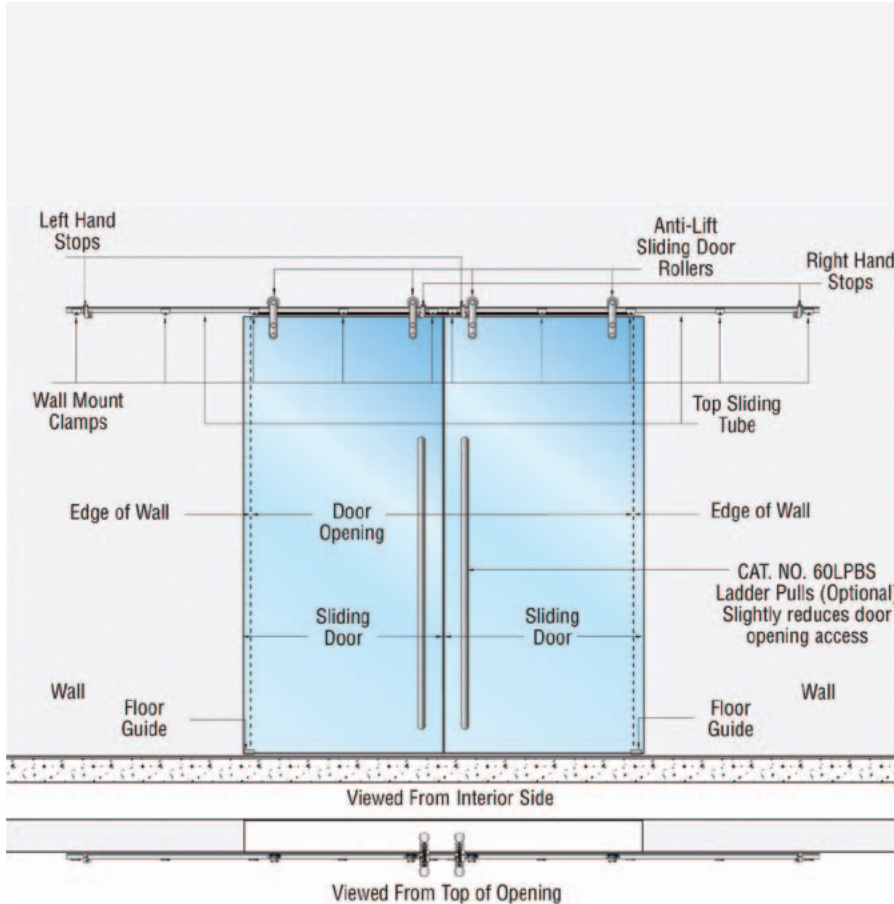


- New anti-lift design
- Assembly contains all necessary hardware to complete the installation with 10 or 12mm toughened glass
- Brushed stainless steel construction

The CRL Laguna Series Single Sliding Door Wall Mount Installation Assembly contains all of the components you will need (except the toughened glass) to complete this style of installation. This model is used in applications where you are attaching a single sliding door to the inside face of a sufficiently reinforced wall.

The Anti-Lift Sliding Door Top Rollers can be attached to the glass with either surface mount or flush mount fittings (both are supplied). The rollers have a 3.2mm +/- vertical adjustment to aid in door alignment. This system should only be used with 10 or 12mm toughened glass. Laminated glass cannot be used.

# CRL Cat. No. LSWM4BS Laguna Series Double Sliding Door Wall Mount Installation Assembly



- New anti-lift design
- Assembly contains all necessary hardware to complete the installation with 10 or 12mm toughened glass
- Brushed stainless steel construction

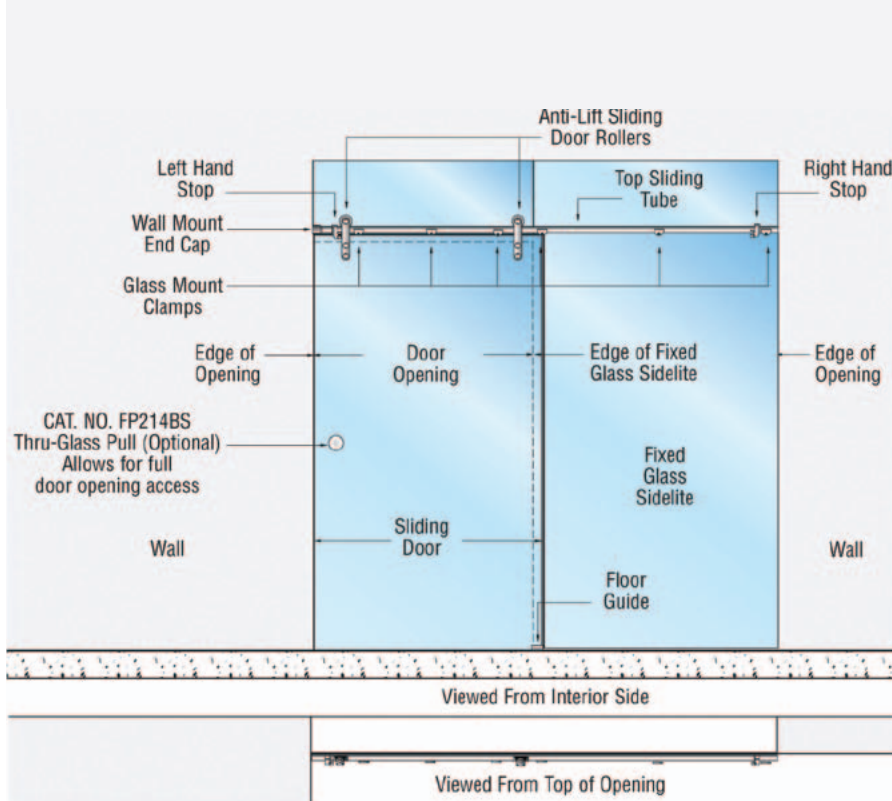
The CRL Laguna Series Double Sliding Door Wall Mount Installation Assembly contains all of the components you will need (except the toughened glass) to complete this style of installation. This model is used in applications where you are attaching two bi-parting sliding doors to the inside face of a sufficiently reinforced wall.

The Anti-Lift Sliding Door Top Rollers can be attached to the glass with either surface mount or flush mount fittings (both are supplied). The rollers have a 3.2mm +/- vertical adjustment to aid in door alignment. This system should only be used with 10 or 12mm toughened glass. Laminated glass cannot be used.

## DOOR SYSTEM LIMITATIONS

Maximum door weight	100kg
Maximum panel width	1.36m
Maximum panel height	2.50m
Maximum track length	2.64m

## CRL Cat. No. LSGM3BS Laguna Series Single Sliding Door Glass Mount Installation Assembly

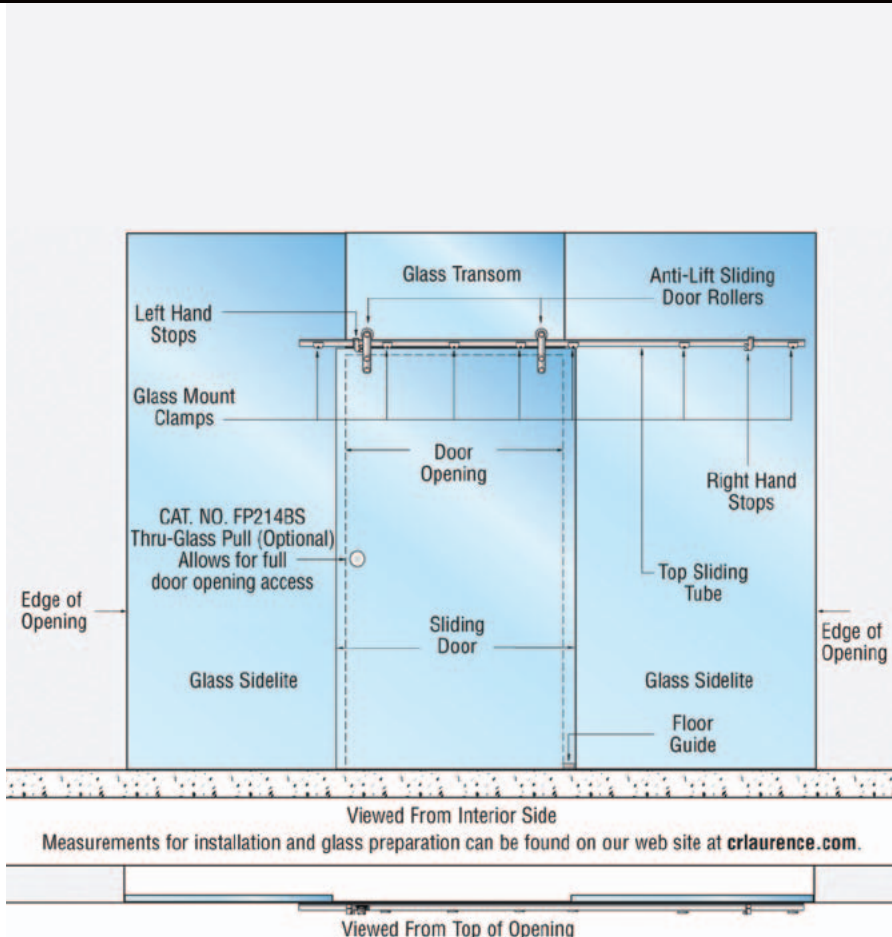


- New anti-lift design
- Assembly contains all necessary hardware to complete the installation with 10 or 12mm toughened glass
- Brushed stainless steel construction

The CRL Laguna Series Single Sliding Door Glass Mount Installation Assembly contains all of the components you will need (except the toughened glass) to complete this style of installation. This model is used in applications where you are attaching a single sliding door in an 'all-glass' opening where you have a wall on one end next to the door, a glass transom above the door, and a fixed glass panel on the other side of the door. Bi-parting double doors are not possible for this application.

The Anti-Lift Sliding Door Top Rollers can be attached to the glass with either surface mount or flush mount fittings (both are supplied). The rollers have a 3.2mm +/- vertical adjustment to aid in door alignment. This system should only be used with 10 or 12mm toughened glass. Laminated glass cannot be used.

## CRL Cat. No. LSGM4BS Laguna Series Single Sliding Door With Sidelites Glass Mount Installation Assembly



- New anti-lift design
- Assembly contains all necessary hardware to complete the installation with 10 or 12mm toughened glass
- Brushed stainless steel construction

The CRL Laguna Series Single Sliding Door With Sidelites Glass Mount Installation Assembly contains all of the components you will need (except the toughened glass) to complete this style of installation. This model is used in applications where you are attaching a single sliding door in an 'all-glass' opening where you have a glass transom above the door and fixed glass panels on both sides of the door. Bi-parting double doors are not possible for this application.

The Anti-Lift Sliding Door Top Rollers can be attached to the glass with either surface mount or flush mount fittings (both are supplied). The rollers have a 3.2mm +/- vertical adjustment to aid in door alignment. This system should only be used with 10 or 12mm toughened glass. Laminated glass cannot be used.

### DOOR SYSTEM LIMITATIONS

Maximum door weight	100kg
Maximum panel width	1.36m
Maximum panel height	2.50m
Maximum track length	2.64m



## CRL Cat. No. LSWMADT Laguna Series Single Sliding Door Hardware Adaptor Kit for Wood Doors



- Easily Adapts Our Laguna Slider Kits to Work With Wood Doors
- For Wood Doors From 35mm to 45 mm Thick
- Brushed Stainless Steel Finish

Now you can easily adapt any of our Laguna Sliding Door Systems to work with wood doors. The Adaptor Kit allows you to mount Laguna Slider Hardware on wood doors ranging in thickness from 35mm to 45 mm. Recommended for solid wood doors, but can be used on hollow core doors that have adequate structure to accept the hardware.

Each kit comes with four Mounting Bolts for attaching the hardware to the wood door, five Wall Mount Bracket Spacers for use on openings with doors thicker than 35 mm, and one Floor Guide. All parts are made of alloy 316 stainless steel. One kit is required per door.



Four Mounting Bolts



Five Wall Mount Bracket Spacers



One Floor Guide

# CRL280 Series Top Hung Sliding Door System

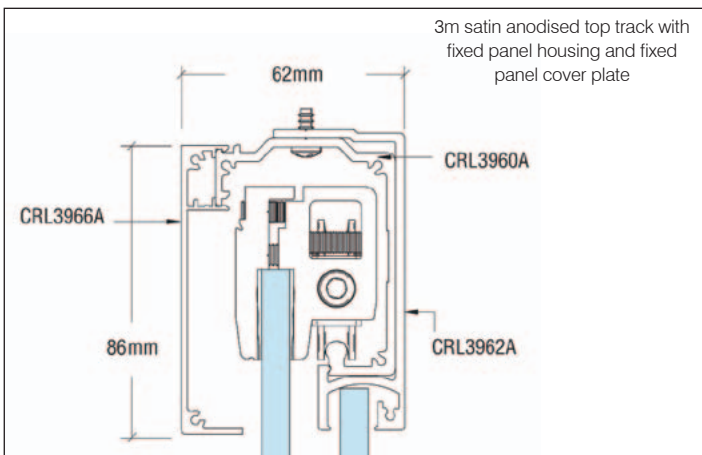
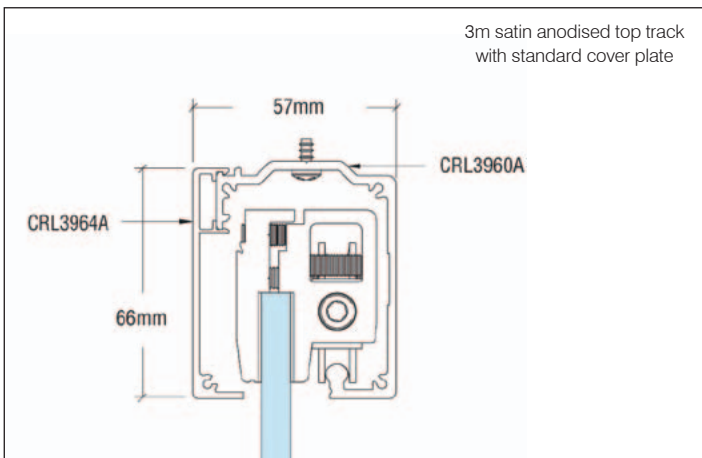


- Sleek design
- No notches or holes required in the glass for installation
- Designed for use with 8, 10, or 12mm toughened glass
- Rated for doors weighing up to 80kg

The new CRL280 series Top Hung Sliding Door System is truly the most versatile system of its kind. There are six different kits to choose from, offering configurations with or without fixed panels, and the ability to mount either to the wall, ceiling or glass panels.

The CRL280 System has no bottom track, so a tripping hazard is eliminated, and the smooth sliding action allows for finger touch control. The upper clamp and roller assemblies have a fine tune adjustment feature allowing for openings and floors that are not true and level. Each kit comes with concealed stops in the top track to hold the door open or closed.

Kits are available in a satin anodised finish, with a special order option to clad or powder paint in any architectural finish desired.



## Available CRL280 Kits

- Kits contain all necessary hardware to complete the Installation
- Rollers have up to 6mm of vertical adjustment to aid in door alignment after installation
- Satin anodised finish

There are three configurations of CRL280 Series Kits. All come with everything you need (except the toughened glass) to complete the installation. Kits are available in a satin anodised finish, with a special order option to clad or powder paint in any architectural finish desired. Contact technical sales for commercial products for kit selection or installation assistance.

**NOTE:** Laminated glass should not be used with the CRL280 Series.

### SINGLE SLIDING DOOR KITS FOR 8 TO 10MM TOUGHENED GLASS

CAT. NO.	KIT DESCRIPTION
<b>CRL2810</b>	Single sliding door wall or ceiling mount installation
<b>CRL2810F</b>	Single sliding door with fixed panel wall or ceiling mount installation
<b>CRL2810G</b>	Single sliding door glass fixed panel mount installation

### SINGLE SLIDING DOOR KITS FOR 12MM TOUGHENED GLASS

CAT. NO.	KIT DESCRIPTION
<b>CRL2812</b>	Single sliding door wall or ceiling mount installation
<b>CRL2812F</b>	Single sliding door with fixed panel wall or ceiling mount installation
<b>CRL2812G</b>	Single sliding door glass fixed panel mount installation

Minimum order: 1 each. Kits contain stock lengths of Top Track measuring 3m in length, and therefore must ship common carrier. Kits can be combined for quantity pricing.



## CRL2810/CRL2812 Top Hung Sliding Door Installation Assembly



- Satin anodised finish
- For use with 8, 10 or 12mm toughened glass
- 3m top track

The CRL2810/CRL2812 Top Hung Sliding Door Installation Assembly contains all of the components you will need (except the toughened glass) to complete this style of installation.

This model can accommodate a single door weighing up to 80kg, with a maximum width of 1.5m.

## CRL2810F/CRL2812F Top Hung Sliding Door Installation Assembly



- Satin anodised finish
- For use with 8, 10 or 12mm toughened glass
- 3m top track and fixed glass channel

The CRL2810F/CRL2812F Top Hung Sliding Door Installation Assembly contains all of the components you will need (except the toughened glass) to complete this style of installation.

This model can accommodate a single door weighing up to 80kg, with a maximum width of 1.5m, plus a fixed glass panel of desired width.

## CRL2810G/CRL2812G Top Hung Sliding Door Installation Assembly



- Ideal for glass walls
- Satin anodised finish
- For use with 8, 10 or 12mm toughened glass
- 3m top track
- Mounts to fixed glass panel

The CRL2810G/CRL2812G Top Hung Sliding Door Installation Assembly contains all of the components you will need (except the toughened glass) to complete this style of installation.

This model is designed to mount a 10 or 12mm fixed glass panel. It can accommodate a single door weighing up to 80kg, with a maximum width of 1.5m.

**CRL50**







# CRL50 Series Top Hung Sliding Door Systems



- Models for single doors, synchronized doors, and telescoping doors
- For use with 8 or 10mm toughened glass
- No notches or holes required in the glass
- Mounts to wall or ceiling
- Can accommodate doors weighing up to 80kg

The new CRL50 Series Top Hung Sliding Door Systems feature a sleek design that offers options for wall or ceiling mount for sliding glass doors with or without fixed panels. These top hung systems require no bottom track and the smooth sliding action allows for finger touch control.

The upper clamp and roller assemblies offer 6mm of height adjustment during installation to allow for openings and floors that are not true and level. Kits come with concealed roller stops in the top track to hold the door in the open or closed position, a small bottom guide, and are available in a satin anodised finish with an option for powder paint or cladding in any architectural finish desired.

CRL50 Systems are also available with optional 'synchronization' of bi-parting doors where the operation of one panel moves the others. A 'telescoping' option is also available where the panels slide in the same direction and stack away together. You can also enjoy the best of both with our combination 'synchronized' and 'telescoping' options all in one.

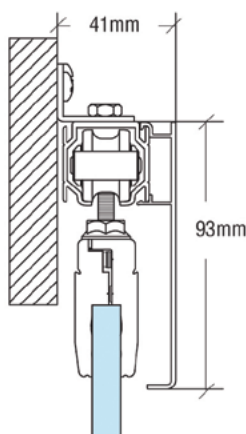
Contact technical sales for commercial products for assistance with proper kit selection or installation instruction assistance.

**NOTE:** Laminated glass should not be used with the CRL50 System.

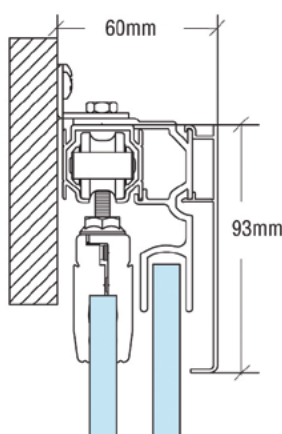
## CRL50 Series Wall Mount Single Kits

**NEW** softbrake gentle door closing system for the CRL50 Series - see page 15

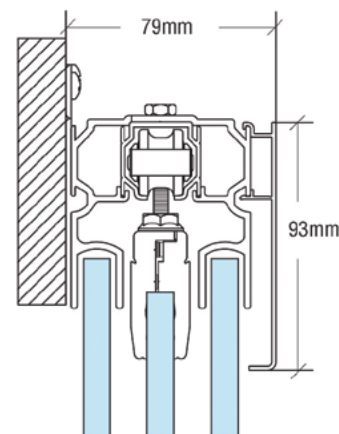
- Kits contain all necessary hardware to complete the installation
- Satin anodised finish



CRL50EU



CRL501



CRL502

There are three configurations of CRL50 Series Kits for single glass doors mounting to walls. All come with everything you need (except the toughened glass) to complete the installation. Kits are available in a satin anodised finish, with an option for powder paint or cladding in any architectural finish desired.

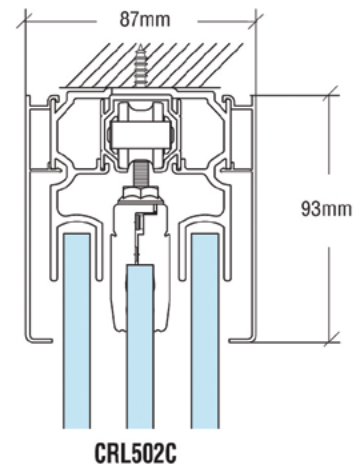
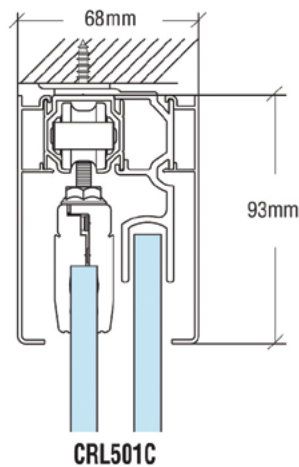
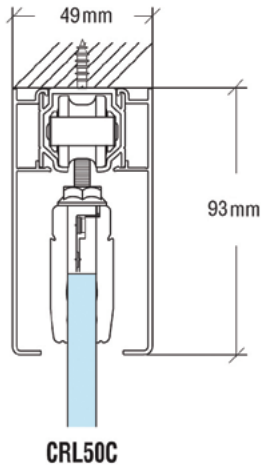
### CRL50 SERIES WALL MOUNT KITS

CAT. NO.	KIT DESCRIPTION
CRL50	Single sliding door
CRL501	Single sliding door with fixed panel
CRL502	Single sliding door with two fixed panels

Minimum order: 1 each. Kits contain stock lengths of Top Track measuring 3m in length, and therefore must ship common carrier. Kits can be combined for quantity pricing.

## CRL50 Series Structural Ceiling Mount Single Kits

- For installation to structural ceilings
- Satin anodised finish



There are three configurations of CRL50 Series Kits for single glass doors mounting to a structural ceiling. All come with everything you need (except the toughened glass) to complete the installation. Kits are available in a satin anodised finish, with an option for powder paint or cladding in any architectural finish desired.

### CRL50 SERIES STRUCTURAL CEILING MOUNT KITS

CAT. NO.	KIT DESCRIPTION
<b>CRL50C</b>	Single sliding door
<b>CRL501C</b>	Single sliding door with fixed panel
<b>CRL502C</b>	Single sliding door with two fixed panels

Minimum order: 1 each. Kits contain stock lengths of Top Track measuring 3m in length, and therefore must ship common carrier. Kits can be combined for quantity pricing.

## CRL50 Series Dropped Ceiling Mount Single Kits

- For installation into dropped ceilings
- Satin anodised finish

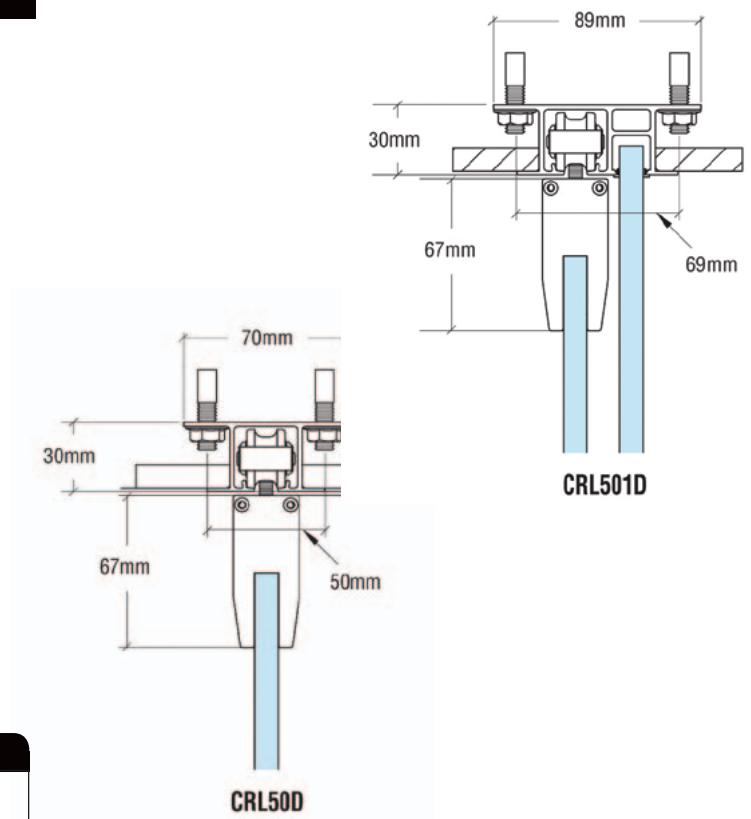
There are two configurations of CRL50 Series Kits for single glass doors used with dropped ceilings. Each kit comes with everything you need (except the toughened glass) to complete the installation. Kits are available in a satin anodised finish, with an option for powder paint or cladding in any architectural finish desired. The Top Patches can be covered to create the 'full rail' look. Covers are available in bright aluminium, satin anodised, and white painted finishes and are ordered separately.

**NOTE:** Structural support (not Included, by others) is also required when using the dropped ceiling tracks. Fasteners not included.

### CRL50 SERIES DROPPED CEILING MOUNT KITS

CAT. NO.	KIT DESCRIPTION
<b>CRL50D</b>	Single sliding door
<b>CRL501D</b>	Single sliding door with fixed panel

Minimum order: 1 each. Kits contain stock lengths of Top Track measuring 3m in length, and therefore must ship common carrier. Kits can be combined for quantity pricing.



# CRL50 Series Kits for Synchronised Doors

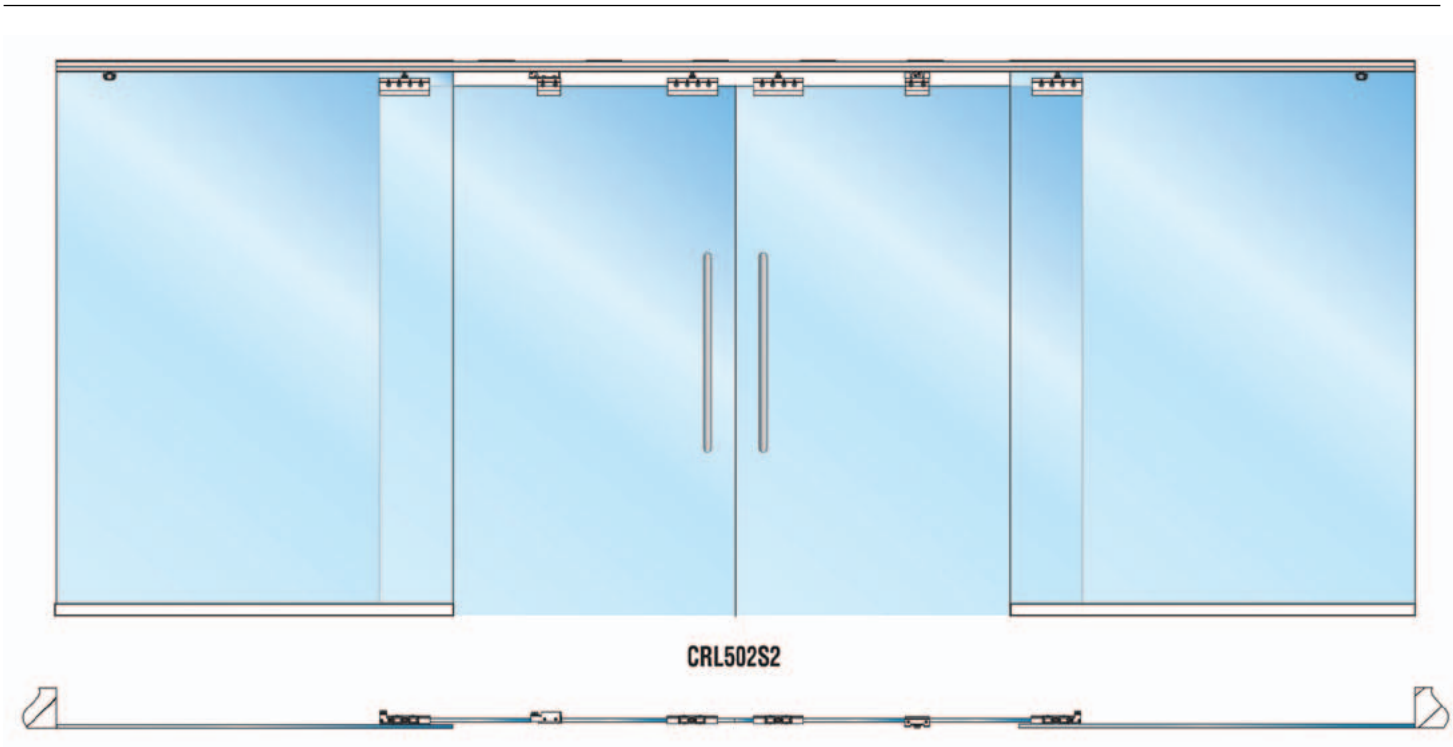


- Synchronized operation of two bi-parting panels
- Rollers have up to 6mm of vertical adjustment to aid in door alignment
- Wall and ceiling mount models available
- Satin anodised finish

There are four configurations of CRL50 Series Kits for synchronized 8 to 10mm toughened glass doors. These Kits provide synchronized movement of two glass bi-parting panels while only operating one of the panels. All Kits come with everything you need (except the toughened glass) to complete the installation. Kits are available in a satin anodised finish, with an option for powder paint or cladding in any architectural finish desired.

Contact technical sales for commercial products for kit selection or installation assistance.

**NOTE:** Laminated glass should not be used with the CRL50 System.



CRL502S2

## CRL50 SERIES SYNCHRONIZED WALL MOUNT KITS

CAT. NO.	KIT DESCRIPTION
CRL50S2	Bi-parting
CRL502S2	Bi-parting with two fixed panels

Minimum order: 1 each. Kits contain stock lengths of Top Track measuring 3m in length, and therefore must ship common carrier. Kits can be combined for quantity pricing.

## CRL50 SERIES SYNCHRONIZED CEILING MOUNT KITS

CAT. NO.	KIT DESCRIPTION
CRL50CS2	Bi-parting
CRL502CS2	Bi-parting with two fixed panels

Minimum order: 1 each. Kits contain stock lengths of Top Track measuring 3m in length, and therefore must ship common carrier. Kits can be combined for quantity pricing.



# CRL50 Series Kits for Synchronized and Telescoping Doors



- Synchronized and telescoping operation in one kit
- Wall and ceiling mount models available
- Satin anodised finish

CRL offers two configurations of CRL50 Series Kits for synchronized and telescoping 8 to 10mm toughened glass doors. These Kits provide the best of both worlds, synchronized and telescoping operation in a four panel opening, where pairs of panels bi-part and stack away. They come with everything you need (except the toughened glass) to complete the installation. Kits are available in a satin anodised finish, with an option for powder paint or cladding in any architectural finish desired. Contact technical sales for commercial products for kit selection or installation assistance.

**NOTE:** Laminated glass should not be used with the CRL50 System.

### CRL50 SERIES SYNCHRONIZED AND TELESCOPING KITS

CAT. NO.	MOUNT	KIT DESCRIPTION
<b>CRL502SP2</b>	Wall	Four panel bi-parting / telescoping behind fixed panels
<b>CRL502CSP2</b>	Ceiling	Four panel bi-parting / telescoping behind fixed panels

Minimum order: 1 each. Kits contain stock lengths of Top Track measuring 3m in length, and therefore must ship common carrier. Kits can be combined for quantity pricing.

# CRL50 Series Kits for Telescoping Doors

- Telescoping operation
- Wall and ceiling mount models available
- Kits contain all necessary hardware to complete the installation
- Satin anodised finish

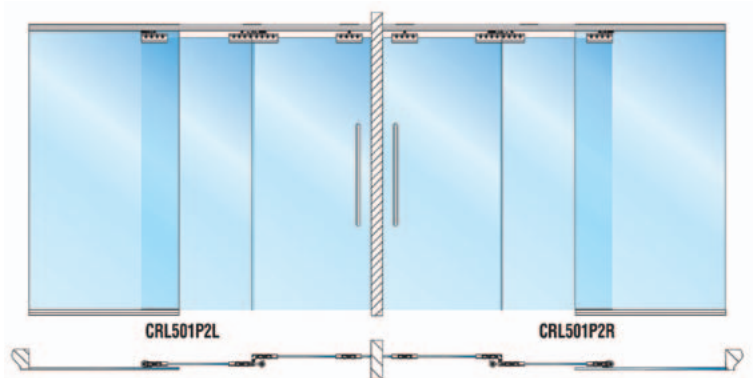
There are eight configurations of CRL50 Series Kits for telescoping 8 to 10mm toughened glass doors. These Kits provide telescoping operation where two panels slide in the same direction and stack away together. All come with everything you need (except the toughened glass) to complete the installation. Kits are available in a satin anodised finish, with an option for powder paint or cladding in any architectural finish desired. Contact technical sales for commercial products for kit selection or installation assistance.

**NOTE:** Laminated glass should not be used with the CRL50 System.

### CRL50 SERIES TELESCOPING WALL MOUNT KITS

CAT. NO.	STACKING DIRECTION*	KIT DIRECTION
<b>CRL50P2R</b>	Right	Two panel telescoping
<b>CRL50P2L</b>	Left	Two panel telescoping
<b>CRL501P2R</b>	Right	Two panel telescoping behind fixed panel
<b>CRL501P2L</b>	Left	Two panel telescoping behind fixed panel

Minimum order: 1 each. Kits contain stock lengths of Top Track measuring 3m in length, and therefore must ship common carrier. Kits can be combined for quantity pricing. \*Stacking Direction is determined from the exterior looking in.



### CRL50 SERIES TELESCOPING CEILING MOUNT KITS

CAT. NO.	STACKING DIRECTION*	KIT DIRECTION
<b>CRL50CP2R</b>	Right	Two panel telescoping
<b>CRL50CP2L</b>	Left	Two panel telescoping
<b>CRL501CP2R</b>	Right	Two panel telescoping behind fixed panel
<b>CRL501CP2L</b>	Left	Two panel telescoping behind fixed panel

Minimum order: 1 each. Kits contain stock lengths of Top Track measuring 3m in length, and therefore must ship common carrier. Kits can be combined for quantity pricing. \*Stacking Direction is determined from the exterior looking in.

# CRL70 Series Top Hung Sliding Door Systems



- For use with 8 or 10mm toughened glass or wood doors
- No notches or holes required in the glass
- Mounts to wall or ceiling
- Can accommodate doors weighing up to 125kg

CRL70 Series Top Hung Sliding Door Systems feature a sleek European design that offers options for wall or ceiling mount for sliding glass or wood doors with or without fixed panels. These top hung systems require no bottom track and the smooth sliding action allows for finger touch control. The Upper Clamp and Roller Assemblies offer 6mm of height adjustment during installation to allow for openings and floors that are not true and level. Kits come with concealed roller stops in the top track to hold the door in the open or closed position, a small bottom guide, and are available in a satin anodised finish, with an option for powder paint or cladding in any architectural finish desired.

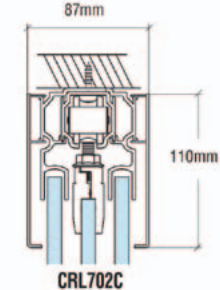
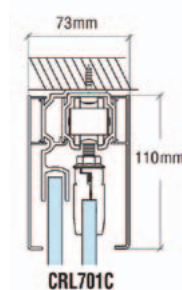
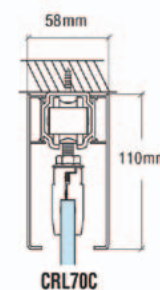
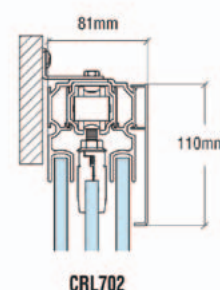
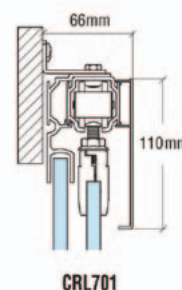
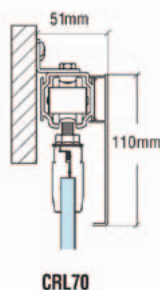
Contact technical sales for commercial products for assistance with proper kit selection or installation instruction assistance.

**NOTE:** Laminated glass should not be used with the CRL70 System.

## CRL70 Series Kits for Glass Doors

- Kits contain all necessary hardware to complete the installation
- Satin anodised finish
- Wall mount and ceiling mount options

There are six configurations of CRL70 Series Kits for single glass doors. All come with everything you need (except the toughened glass) to complete the installation. Kits are available in a satin anodised finish, with an option for powder paint or cladding in any architectural finish desired.



### CRL70 SERIES WALL MOUNT KITS

CAT. NO.	KIT DESCRIPTION
<b>CRL70</b>	Single sliding door
<b>CRL701</b>	Single sliding door with fixed panel
<b>CRL702</b>	Single sliding door with two fixed panels

Minimum order: 1 each. Kits contain stock lengths of Top Track measuring 3m in length, and therefore must ship common carrier. Kits can be combined for quantity pricing.

### CRL70 SERIES CEILING MOUNT KITS

CAT. NO.	KIT DESCRIPTION
<b>CRL70C</b>	Single sliding door
<b>CRL701C</b>	Single sliding door with fixed panel
<b>CRL702C</b>	Single sliding door with two fixed panels

Minimum order: 1 each. Kits contain stock lengths of Top Track measuring 3m in length, and therefore must ship common carrier. Kits can be combined for quantity pricing.

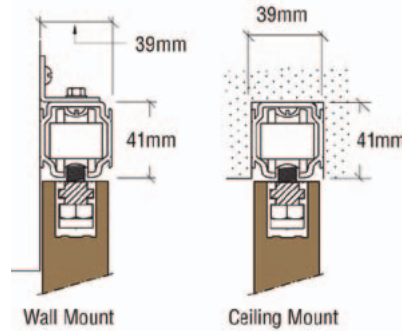
## CRL70 Series Kits for Wood Doors



- Mounts to wall or ceiling
- Top hanger is mortised into the door

The CRL70 Series Kits for Wood Doors come complete with everything you need (except the wood door) to complete the installation. If needed, Cat. No. CRL3990 top track trim cover supports can be ordered separately to provide a means of attachment for customer supplied covers (see below).

**NOTE:** Quantity required to be determined by customer based on cover design.



### CRL70 SERIES KITS FOR WOOD DOORS

CAT. NO.	KIT DESCRIPTION
<b>CRL70W</b>	Single sliding door wall or ceiling mount

Minimum order: 1 each. Kits contain stock lengths of Top Track measuring 3m in length, and therefore must ship common carrier. Kits can be combined for quantity pricing.

## CRL50/70 Series Top Hung Sliding Door System Accessories



### CRL50 Glass Clamp Cover End Caps

CRL70 Glass Clamp Cover End Caps finish off the ends of the glass clamp covers, completing the full rail look. Gray finish, one per package.



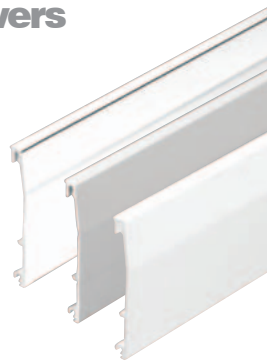
#### CRL50 GLASS CLAMP COVER END CAPS

CAT. NO.	FINISH	DESCRIPTION
<b>CRL3948</b>	Grey	For 8mm Glass
<b>CRL3949</b>	Grey	For 10mm Glass

Minimum order: 1 each.

### CRL50 Glass Clamp Covers

CRL50 Glass Clamp Covers are used to create a full rail look on only the CRL50 Series for dropped ceiling systems. They simply snap over the glass clamps and are finished off with end caps that are ordered separately.



#### CRL50 GLASS CLAMP COVERS

CAT. NO.	FINISHES	LENGTH
<b>CRL3947W</b>	White	3m
<b>CRL3947BA</b>	Bright aluminium	3m
<b>CRL3947SA</b>	Satin anodised	3m

Minimum order is one stock length. Must ship common carrier.

### CRL50 / 70 Top Track Trim Cover Support

This Steel Trim Cover Support clamps onto sides of top track or fixed panel adaptor to provide attachment of customer supplied covers. Fasteners for covers not included.



#### CRL50 / 70 TOP TRACK TRIM COVER SUPPORT

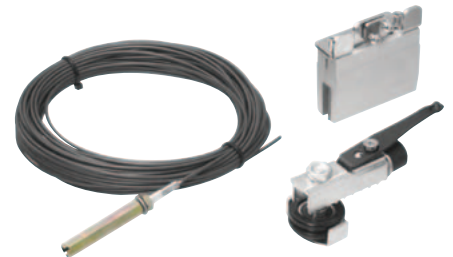
CAT. NO.	KIT DESCRIPTION
<b>CRL3990</b>	Top track trim cover support

Minimum order: 1 each.

### CRL50 Synchronizing Hardware Set

- For 8 to 10mm toughened glass doors

The CRL50 Synchronizing Hardware Set for glass doors is used in conjunction with either single or telescoping models. It comes complete with all the hardware needed to synchronize an opening of multiple panels while only moving one.



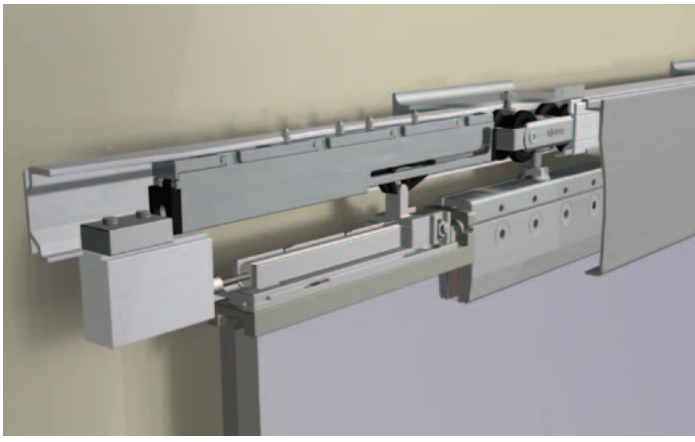
#### CRL50 SYNCHRONIZING HARDWARE SET

CAT. NO.	DESCRIPTION
<b>CRL3985</b>	Two clamps, two roller stops, and one cable

Minimum order: 1 set.







**CRL has launched the new Softbrake braking system for glass panels.**

The Softbrake is a braking system that cushions the opening and/or closing of glass doors gently and quietly. Its main advantage is that it acts during the final 100mm of travel to prevent the glass from impacting against the frame. The application can be fitted in guides mounted on walls or between partitions.

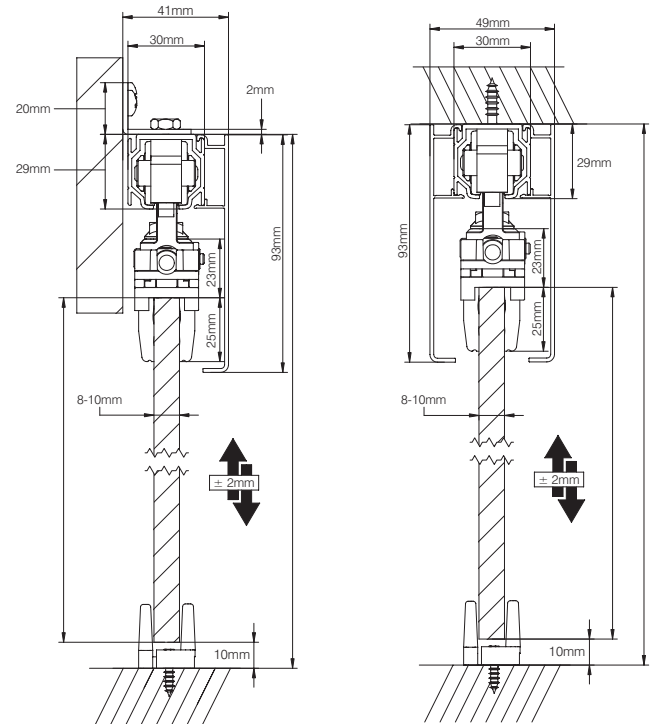
There are two versions, depending on customer requirements:

- The simple Softbrake, with a damping brake for door closing.
- The double Softbrake, with brakes on both sides for damping door opening and closing.

The Softbrake braking system can be applied to CRL's 50 system and is suitable for panels of 8 - 10mm thick glass weighing up to 80kg, with a vertical adjustment of up to 15mm and a horizontal adjustment of up to 6mm.

These softbrake systems are compatible with our CRL50 family and have the following characteristics:

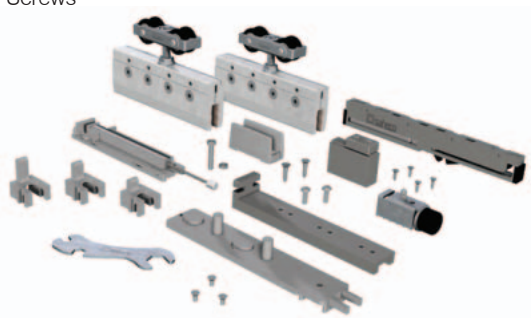
- Up to 80kg maximum
- 8 to 10mm glass



**Single Side Softbrake for 1 door**

**Each Kit Contains**

- 1 standard stopper
- 1 floor guide
- 1 full softbrake (all components needed)
- 1 adjusting key
- Screws



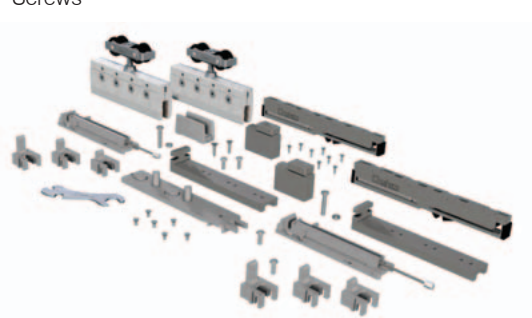
CAT. NO.	KIT DESCRIPTION
<b>CRL286780</b>	Single Side Softbrake Kit

Minimum order: 1 kit.

**Double Side Softbrake for 1 door**

**Each Kit Contains**

- 2 clamps with rollers
- 1 floor guide
- 2 full softbrake (all components needed)
- 1 adjusting key
- Screws



CAT. NO.	KIT DESCRIPTION
<b>CRL286781</b>	Double Side Softbrake Kit

Minimum order: 1 kit.

# CRL GSDH Series Bottom Rolling Door System



- Bottom rolling design for use with 8, 10 or 12mm toughened glass
- Top guide track mounts to wall
- Can accommodate doors weighing up to 130kg
- Brushed or polished stainless steel finishes

The GSDH Series Bottom Rolling Door System features a unique design that gives the door the appearance that it is gliding on air. The top guide track mounts to the wall and provides for secure and smooth operation of the rolling panel.

The GSDH Bottom Rolling System is a great alternative when the building structure cannot carry the load of a top hung system. Each kit comes with concealed stops in the top track to control the length of travel of the door in the open or closed position. Everything is properly balanced to offer a smooth rolling action with finger touch control.

Kits are available in brushed or polished stainless steel finishes, and are intended for use with 8, 10 or 12mm toughened glass. Individual components can also be ordered to customize the opening.

## Available GSDH Series Kits

- Kits contain all necessary hardware to complete the installation
- One pair of rollers can accommodate doors weighing up to 130kg
- Brushed or polished stainless steel finishes
- Configurations for a single rolling door or bi-parting rolling doors

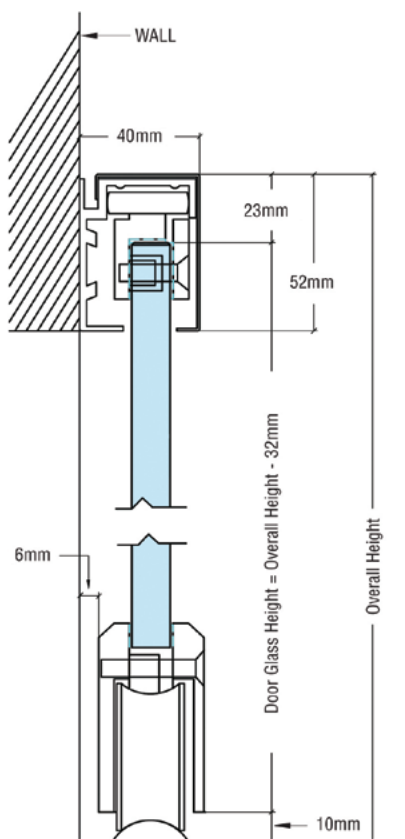
There are two configurations of GSDH Series Kits for glass doors. Both come with everything you need (except the toughened glass) to complete the installation, including top and bottom track, top guides, top guide roller stops, end covers, and the bottom rollers. Kits are available in a brushed or polished stainless steel finishes for both single and bi-parting rolling doors.

For more information on this versatile and easy-to-install system, contact CRL Technical Sales 00 800 0421 6144. You can also send e-mail from the home page of [crlaurence.co.uk](http://crlaurence.co.uk). Click on Contact Us, and then click on Technical Sales for Commercial Products.

**NOTE:** Laminated glass should not be used with the GSDH System.

### GLASS FABRICATION REQUIRED:

Four holes and two notches per panel. Glass templates included in kits.



CAT. NO.	FINISH	KIT DESCRIPTION
GSDH1BS	Brushed stainless	Single rolling door
GSDH1PS	Polished stainless	Single rolling door
GSDH2BS	Brushed stainless	Bi-parting rolling doors
GSDH2PS	Polished stainless	Bi-parting rolling doors

Minimum order: 1 each. Kits contain stock lengths of Top Track measuring 4m in length, and therefore must ship common carrier. Kits can be combined for quantity pricing.



## CRL GSDH1 Series Single Bottom Rolling Door Installation Assembly



- Available in brushed or polished stainless steel
- For use with 8, 10 or 12mm toughened glass
- 4m top guide track
- 3m bottom roller track

The CRL GSDH1 Series Single Bottom Rolling Door Installation Assembly contains all of the components you will need (except the toughened glass) to complete this style of installation.

This model can accommodate a single door weighing up to 130kg, with a maximum width of 1.5m.

## CRL GSDH2 Series Bi-Parting Bottom Rolling Door Installation Assembly



- Available in brushed or polished stainless steel
- For use with 8, 10 or 12mm toughened glass
- 4m top guide track
- 3m bottom roller track

The CRL GSDH2 Series Bi-Parting Bottom Rolling Door Installation Assembly contains all of the components you will need (except the toughened glass) to complete this style of installation.

This model can accommodate two bi-parting doors, each weighing up to 65kg, each with a maximum width of 762mm.

# CRL EZ-Slide Top Hung Single Track Sliding Door Kits



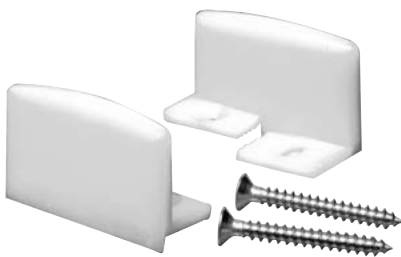
- No notches or holes needed in the glass for installation

The CRL EZ-Slide Top Hung Single Track Sliding Door Kits are an easy to install cost effective solution to adding 'all-glass' sliding doors in commercial or residential applications.

The only glass fabrication required is to polish the edges. If handles or knobs are desired, holes will be required for their mounting. Optional break metal covers are available on special order to help conceal the operating hardware.

**NOTE:** The EZ-Slide System is not designed for use in shower or steam room applications and should not be used with laminated glass. Everything (except the toughened glass) to complete a single panel slider application is available in our easy to order Kit, and comes with all the items shown below. Pull hardware is sold separately. For more information on this versatile and easy to install system, contact CRL Technical Sales.

## Each Kit Contains



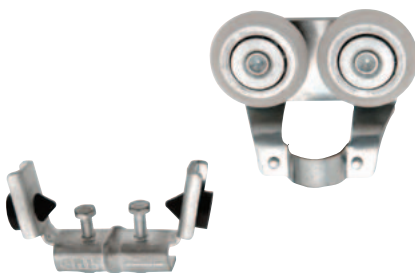
1 x Bottom Guide



1 x Top Track at 4m in length



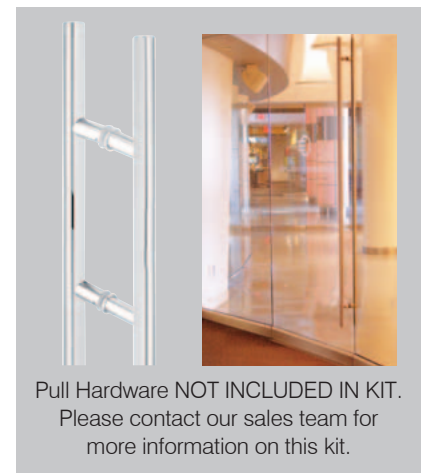
2 x Regulator Bolts



2 x Top Rollers and Stops

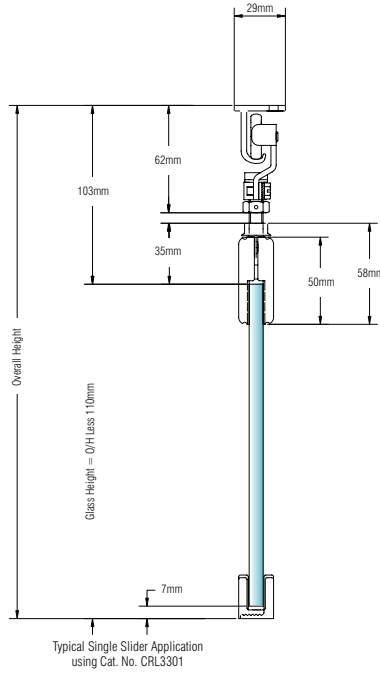
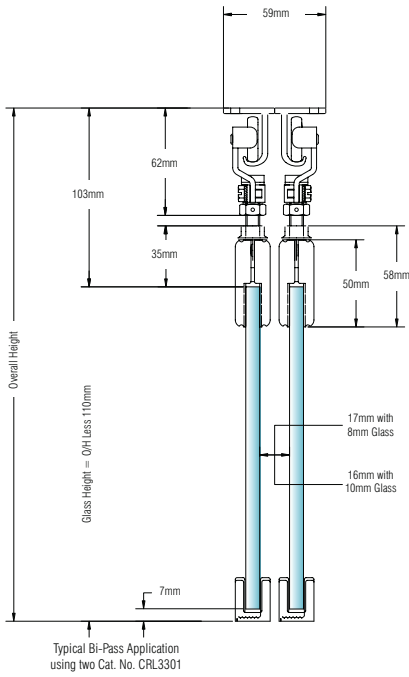


2 x Clamp Assemblies



Pull Hardware NOT INCLUDED IN KIT. Please contact our sales team for more information on this kit.

## CRL EZ-Slide 80



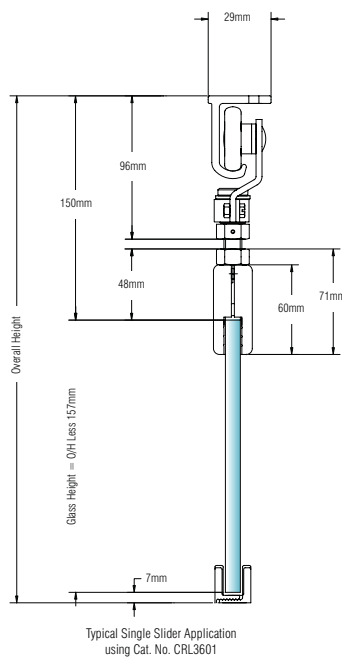
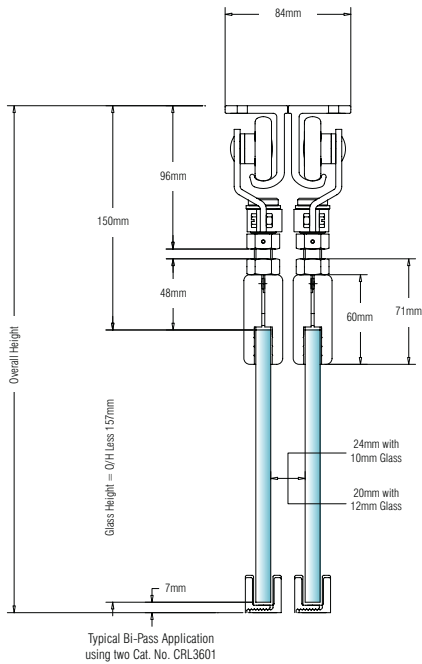
### CRL EZ-SLIDE 80 TOP HUNG SINGLE TRACK SLIDING DOOR KIT

CAT. NO.	KIT DESCRIPTION
CRL3301	Kit for 8-10mm thick toughened glass

- This kit is for 8mm or 10mm toughened glass
- Rated for panels weighing up to 80kg

Minimum order: 1 each. Kits contain stock lengths of Top Track measuring 3m in length, and therefore must ship common carrier. Kits can be combined for quantity pricing.

## CRL EZ-Slide 180



### CRL EZ-SLIDE 180 TOP HUNG SINGLE TRACK SLIDING DOOR KIT

CAT. NO.	KIT DESCRIPTION
CRL3601	Kit for 10-12mm thick toughened glass

- This kit is for 10mm or 12mm toughened glass
- Rated for panels weighing up to 180kg

Minimum order: 1 each. Kits contain stock lengths of Top Track measuring 3m in length, and therefore must ship common carrier. Kits can be combined for quantity pricing.



**Call FREE on 1800 424 275**  
Fax FREE on 1800 813 013

**Melbourne**

42 Enterprise Drive  
Rowville  
Vic 3178  
Tel. +61 3 9764 8322  
Fax. +61 3 9764 8378  
[www.crlaurence.com.au](http://www.crlaurence.com.au)

**Sydney**

9 Shale Place  
Eastern Creek  
NSW 2766  
Tel. +61 2 9851 3444  
Fax. +61 2 9851 3445  
[www.crlaurence.com.au](http://www.crlaurence.com.au)

