

23R SDH

10 2885
Shower Doors
and Enclosures

08 8300
Mirrors

Frameless Shower Door and Mirror Hardware

■ Hinges and Clamps

■ Knobs and Pulls

■ Towel and Grab Bars

■ Headers and U-Channels

■ Sliding Shower Enclosures

■ Vanity and Wardrobe Mirrors

■ Mirror Frames and Channels

■ Mirror Accessories and Tools

Page left blank intentionally



CRL Corporate Headquarters in Los Angeles, California. CRL operates from 40 worldwide locations.

To Our Valued Customers

We would like to say "Thank You" to all of our customers and employees. Your help and encouragement has made it possible for C.R. Laurence Company to grow into the industry leader, and we plan to continue growing. Our goal is to listen, and challenge ourselves to better serve our customers.

Because of you we set our standards for innovation, service, and selection of quality products at the highest level. We consider it our responsibility to bring new technology to our industry so that we can all prosper.

Access to all CRL products and services is available to you through our "self-service" web site, crlaurence.com, the most comprehensive and convenient information source we can offer our customers. The CRL web site is a powerful communications device between your business and the CRL people who serve you. It also allows us to empower you to have more flexibility and control of your orders, making it possible for you to contribute in the process of our providing you with excellent service.

C.R. Laurence Company is making a major commitment to the improvement of our web site. It's your source for information and technical support, and to make it even more convenient, we have included in this catalog our crlaurence.com User's Guide, step-by-step instructions to a more satisfying visit to our "self-service" web site. In the next pages we will demonstrate just how simple it is for you to do business with us online. We hope you will find it easy to understand, and easy to use.

CRL23R is the latest evidence of our commitment to bring you the finest and most comprehensive line of frameless shower door and mirror hardware. We are proud to make it available to you.

This catalog is just one in our series of hard cover Master Catalogs, published so you can easily locate full details on all of our products. See pages XVIII to XXIX for additional information on the complete selection of CRL Catalogs.

CRL's success has been made possible through our transition into manufacturing. We are producing a growing number of products to fill all of your requirements, and we will continue to listen to your ideas for products to manufacture for our industry. As always, we plan to expand our product line to be a continuing source for the glass industry. We have expanded the total number of distribution and manufacturing facilities throughout all of North America, Australia, and Europe to bring our products and services closer to you.

Again, we thank you for your continued support. Without your ideas for better service, new products, and generally high expectations, we would not have enjoyed our growth and success. Let's continue our success together.

Donald E. Friese
Chairman and C.E.O.



Lloyd W. Talbert
President and C.O.O.

C.R. Laurence Co., Inc.

C.R. Laurence Company has over 20 distribution locations in or near major metropolitan areas to serve our customers in the United States. Los Angeles, California is home to Corporate Headquarters and to CRL Manufacturing. It is from here that over 60,000 quality products are distributed to the regional CRL service center that serves your business. For contact information and locations of all CRL facilities go to our web site at crlaurence.com.

C.R. Laurence Worldwide

C.R. Laurence Canada has five locations to serve all of Canada from coast-to-coast. We invite our customers in Canada to visit crlaurence.ca for more information.

C.R. Laurence also has locations in Europe and Australia. Please visit crlaurence.com for information on CRL Worldwide Service.

Welcome to the C.R. Laurence Online Catalog

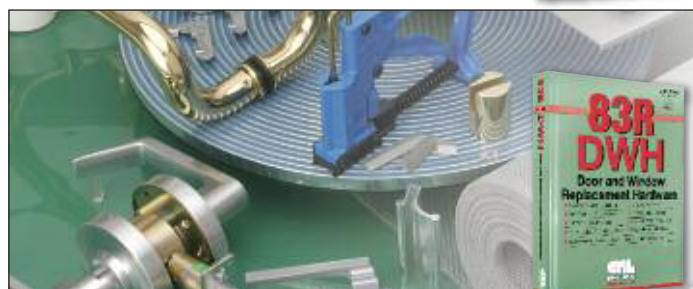
- Thousands of Pages of Quality Products and Helpful Information are Just Clicks Away, Anytime, and at Your Convenience
- It's the Best Way to Shop at CRL

What's the best way to shop at C.R. Laurence? Visit the Online Catalog at crlaurence.com. Our Online Catalog brings you thousands of pages from our many printed catalogs, all of them in full color, and linked to our ordering module so you can browse and shop at any time it's convenient. You can check prices, review stock levels, and get the most complete and up-to-date details on the products we offer. And you can do it all from any PC.

Our "self-service" web site and Online Catalog are the most comprehensive and convenient up-to-date information sources we can offer. Explore some of our most popular product lines or review individual products. CRL has over 60,000 of them organized by specific product categories.

The convenience of having all CRL catalogs combined into one Online Catalog is the quick and easy way to find just what you need, available at your convenience, whenever you're ready.

Please review the following pages for easy to follow instructions on how to do business at crlaurence.com. And if you ever need assistance, just contact us over the Internet or by toll free phone. We'll be glad to help.



Introduction

Of all the products we bring you, our Online Catalog may be the most important. We know that the most efficient way for our customers to shop at CRL is by using this carefully planned and thoroughly prepared Online Catalog to make it easy for them to find exactly what they need. C.R. Laurence Company is committed to making our Online Catalog your best source for information and technical support.

What you will find at **crlaurence.com** is a link to who we are, what we do, and what we have to offer our customers. The CRL "self-service" web site allows us to use the powers of Electronic Commerce to bring you closer to all of the products and services that we offer.

We take a Business-to-Business approach of conducting business over the Internet because it gives us so many ways to connect with you. Methods of searching for and ordering products that just a few years ago would have been impossible were it not for the versatility of this powerful tool.

Empowerment is what a good web site is all about. We let you make the decisions that will best serve you. You can build your orders and submit them 24 hours a day, seven days a

week, at your convenience. You can review over 60,000 products we make available, including pricing and current stock availability.

All of this and more is available to CRL customers who have signed in to our web site and become part of the World of **crlaurence.com**. The next few pages will provide the "How To" answers to the features you can access, making it more convenient to shop by using the CRL Online Catalog.

User's Guide Menu to CRL Online

- [How to Create a User Name and Password](#)
- [How to Sign On and Recover Your Log In Information](#)
- [How to Search for Products](#)
- [How to Check Prices](#)
- [How to Check Stock](#)
- [How to View/Print Invoices](#)
- [How to Place or Change Orders](#)
- [How to Request, Process or Change a Quote](#)
- [How to Request Product Data Sheets](#)
- [How to Pay Your Statement](#)
- [How to Contact Us](#)
- [How to View the Online Catalog Library](#)
- [New Mobile Site!](#)

The following User's Guide Menu is easy to learn and a quick way to locate necessary information. We've written step-by-step instructions to help you navigate through our Online Catalog (see pages V - XVI). Take some time to explore all it has to offer!

Navigation Menu



The Home Page is topped by a Navigation Menu that has buttons you can click on to link directly to the most popular areas of crlaurence.com. You can easily get to our Global Directory and choose the appropriate web site; eight popular Product Groups; Phone and fax numbers for CRL Departments; Directions to all CRL Service Centers; Access to our Customer Support Center; Product Quotes in a timely fashion. All of this is just a click away.

The Navigation Menu is also where you'll find our all-important 'Enter Your Search Word(s) Here' box. This powerful tool lets you

locate CRL Products by entering their Catalog Number, or even a portion of the number. You can also use it to find products by entering key words or the names of products.

Navigating a web site with so many products doesn't need to be difficult. The 'Enter Your Search Word(s) Here' box is the surest way to find exactly what you are looking for. For more information about finding products at crlaurence.com, turn to page VII.

Customer Menu Bar

The Customer Menu Bar is a good starting point for navigating around crlaurence.com. It provides a direct link to virtually all areas that can be accessed after you sign on, or after you have reviewed and selected products and now wish to order them.

Near the top our **Customer Menu** is your link to **Express Ordering**, an easy to learn and quick to complete method of placing orders online whenever it's convenient for you. You set the schedule and the pace because you are in control. You can also build your **Personal Catalog** by matching your part numbers to our Catalog Numbers.



Next in the menu is **Searching on CRL**. We've gone into a lot of detail on this subject, and ask you to turn to page VII to review the different search methods we offer. There's also a link to our Document Library of Comparison, Cross-Reference Charts, Application Guides, New Product Submittal Forms, and more by clicking on **CRL Total Search**. **Products and Services** has direct links to our "Information Centers" for many of our major product lines. They act like 'hubs' where you can reference the various categories of information pertaining to these product lines, including Product Offer Pages, Product Specs, Technical Drawings, Measurement Templates, and a variety of helpful information sources.



When you click into **General Information** you are presented with a selection that includes information about CRL's Business Policies, Videos, ways to contact us, our service center locations, and package tracking.

Online Applications Login allows customers who subscribe to any of CRL's Online Programs to login fast and easy.

News and Events lets you review CRL e-News, Press Releases, Technical Articles, upcoming Trade Show dates and locations, and useful Internet links. When you click on the link called "What's New" you'll see categories showing our recently added products.

As stated above, the "Customer Menu Bar" offers you so many directions you can use to navigate around crlaurence.com. Take some time to explore it all.

WELCOME TO THE CRL ONLINE CATALOG

How to Create a User Name and Password

You will need your Customer Number from your CRL Monthly Statement or from a previous CRL Invoice.

1 Have Your CRL Customer Number Ready



2 Click **Sign On**

A screenshot of the 'Account Sign On Confirmation Page'. At the top, it says 'Select a Language'. Below that, there is a paragraph of text: 'If you have your 10 character CRL Customer Number available (not phone number), and wish to create a User Name so that you can Sign On to check pricing, request a quote, place an order, or check pricing, complete the form below. All items on this page are required.' The form contains several fields: 'CRL Customer Number', 'Zip Code', 'User Name You Prefer' (with a note '(4-12 letters or numbers, no spaces)'), 'Password' (with a note '(4-12 letters or numbers, no spaces)'), 'Confirm the Password', 'Your Name', 'Your e-mail Address', and 'Confirm your e-mail Address'. There are also radio buttons for 'Yes' and 'No' for the question 'Do you wish to receive our Monthly e-mail Newsletter?'. At the bottom, there is a 'Need Help with this page?' link and a 'Submit' button. A red arrow points from the 'Submit' button to the next step.

3 Click on **Create New User Name and Password**

A screenshot of a smaller form titled 'Create New User Name and Password'. It has fields for 'User Name' and 'Password', and a 'Click Here to Sign On' button. Below the button, there is a link: 'Forgot Your User Name or Password? Create New User Name & Password New To CRL?'. A red arrow points from this link to the next step.

4 Fill out the page to create a user name and password, then click on **Submit**

5 Correct any errors if they appear after clicking **Submit**

6 Once the information is accepted, you will see this "Account Sign On Confirmation Page."

7 Click **Home** to begin using full web site services.

A screenshot of the content area of the 'Account Sign On Confirmation Page'. It has a header 'Information Center Account Sign On Confirmation Page'. The main text says: 'CONGRATULATIONS: you have successfully signed in to our web site. You now have full access to all of our Online services which include: Quick Pricing! Express Ordering! Stock Checks! Personal Catalogs! and much more.' Below this, there are three paragraphs of text providing additional information and instructions for users, including a note about public computers and a link to 'Recover it Here'.

WELCOME TO THE CRL ONLINE CATALOG

How to Sign On

1 Click **Sign On** or enter **"LOGIN"** in the yellow search box



2 Enter your user name and password, then **Click Here to Sign On**

A screenshot of the sign-on form. It has two input fields: 'User Name' and 'Password'. Below the fields is a button labeled 'Click Here to Sign On'. Below the button are links: 'Forgot Your User Name or Password? Create New User Name & Password Now To CRL?'. A red arrow points from the text in step 2 to the 'Click Here to Sign On' button.

3 If this screen appears, you have either mistyped the user name and/or password or one needs to be created



4 To confirm your user name and password, or to check if you have one set up, click on **Forgot Your User Name or Password? Recover It Here**

How to Recover Your Sign On Information

1 Click **Sign On**
(see step 1 above)

2 Click **Forgot Your User Name or Password? Recover It Here**
(see step 4 above)

3 Enter your Email Address, then click **Submit**

A screenshot of the email recovery form. At the top, it says 'Instructions: Enter your email and then press Submit. Your password will be sent to the Email that matches the one you entered.' Below that is a red asterisk and the text '* Required Fields'. There is an input field labeled 'Enter your Email Address:'. Below the input field is a 'Submit' button. A red arrow points from the text in step 3 to the 'Submit' button.

WELCOME TO THE CRL ONLINE CATALOG

Best Ways to Search

Search methods to find products in order of importance

- 1 **Search Box** Search by Cat. No. and by Keyword(s). (Only good for products, not other pages on our site at this time).
- 2 **Sitemap** Used to be the same or a little more descriptive than mall pages.
- 3 **Products By Industry** Broader than mall pages, catering more to our core industries.
- 4 **Mall Pages** Overview of product lines to start drilling down to products.



- 5 **Catalog Page Search**, will also search for product groups, then allow for page viewing.
- 6 **Online Catalogs** to find products by industry. When using Online Catalogs, you switch between catalogs while in individual catalogs.

Search methods to find other information

- 7 Click on **CRL Total Search**. On this page you have a search box to locate products, the same as the yellow search box on the top right of every page.
- 8 To find Technical Details, Drawings, MSDS, Spec Data, Instructions, User Guides, Catalog Pages, or anything else, you can click on one of the tabs located on this same page. Product specific information and details can also be found on each product's offer page.



WELCOME TO THE CRL ONLINE CATALOG

How to View/Print Product Information

- 1 Enter the **CRL Catalog Number** or **product description** in the Search Box, then click **Search**

CRL C.R. Laurence Co., Inc.

Click Here For GLOBAL DIRECTORY | Sign Off | Your Account | View Cart | Help | Home

Enter Your Search Word(s) Here **Search**

Frameless Shower Door | Storefronts & Entrances | Architectural Railings | Architectural Metals | Transaction & Hospitality

U.S. Aluminum | Automotive Products | Contact Us/ CRL Locations | Quote Request

Customer Menu Bar

- Express Ordering
- Quick Pricing
- Your eStatements
- Your Quotes
- Your Orders
- Your Invoices
- Personal Catalog
- Your Products
- Your Credit Reference

Searching on CRL

- CRL Total Search
- New Product Area
- Popular Product Lines
- Products by Industry

Products & Services

- Architectural Metal Systems
- Architectural Railing Systems
- Architectural Customers
- Automotive Products
- Display Systems
- Entrance Systems

CRL 95C Silicone Building Sealant [Back To CRL 95C Silicone Building Sealant Models](#)

MSDS | SPEC. Data | Product Specification

Can Ship UPS

CRL Gray 95C Silicone Building Sealant

Service Center Location	Quantity Available	Intransit
Los Angeles, California	4352	0
San Diego, California	42	0

Order Quantity

[Add To Cart](#)

Item(s) in Cart: 8

[View Cart](#)

Click here to check stock at alternate CRL locations.

Quantity	U.S. Dollars Per Each
1	XX.XX
30	XX.XX
90	XX.XX
180	XX.XX

View Larger Image

- 2 Available link tabs will appear near the top of the product page

- 3 Click on the desired data link

- 4 You have the option to view links through **HTML** or **PDF** Format

- 5 If you only want to view this information, click on **HTML** Format

- 6 If you want to print this information, click on **PDF** Format

Instructions on How to Use This Page

To open a file if you already have that type of application installed on your computer: Click on the word for the file type associated with the type of file you wish to view.

To save a MSDS or Product Spec Sheet, open the type of file you want to view, then click on File, then Save.

To save a Spec Data Sheet or Technical Drawing

1. Right Click on the word View located under the heading for the type of file you want to save
2. Next, left (normal) click on words Save Target As Or Save File As
3. A dialog box should now appear you where the file is going to be saved on your computer
4. Click on the word Save.

[Click Here to view this product's Warning](#) Don't see what you are looking for? [Search Again...](#)

MSDS

Products 1 found

33SAL	HTML	PDF
-------	------	-----

MATERIAL SAFETY DATA SHEET

Company Name:	C.R. LAURENCE CO., INC.
Address:	2503 E. VERNON AVE.
City / State / Zip:	LOS ANGELES / CA / 90058
US-CHEMTREC Phone(I):	(800)424-9300
US-CHEMTREC Phone(II):	(703)527-3887
CAN-CANUTEC Phone:	(613)996-6666
Vendor Update:	4/7/2008
Date Prepared:	4/7/2008
MSDS Number:	33SAL ; 33SAL52GL ; 33SAL5GL ; 33SBL ; 33SBL52GL ; 33SBL5GL ; 33SBRZ ; 33SBRZ52GL ; 33SBRZ5GL ; 33SC ; 33SC52GL ; 33SC5GL ; 33SMRC ; 33SMRC52GL ; 33SMRC5GL ; 33ST ; 33ST48GL ; 33ST52GL ; 33ST5GL ; 33STW ; 33STW52GL ; 33STW5GL ; 33SW ; 33SW52GL ; 33SW5GL ; 33SXX ;

I. CHEMICAL PRODUCT IDENTIFICATION



C.R. LAURENCE COMPANY

crlaurence.com | usalum.com

VIII | crlaurence.ca crlaurence.com.au crlaurence.co.uk crlaurence.de crlaurence.eu

WELCOME TO THE CRL ONLINE CATALOG

How to Check Prices

- On the **Product Page:**

 - Enter a CRL Catalog Number in the search box located at the top right of page, then click **Search**
 - If you are signed on, pricing will automatically appear on the right hand side

CRL Geneva 037 Wall Mount Full Back Plate Hinge

Branch Location	Quantity Available	Intransit
Atlanta, Georgia	143	0
Carolina and Virginia, South Carolina	48	100
Philadelphia Area (Moorestown, New Jersey)	188	0

Quantity	U.S. Dollars Per Each
1	XX.XX

- On the **Quick Pricing Page:**

 - Click on **Quick Pricing** under "Customer Menu Bar" located on the top left (see above image)
 - Enter the CRL Catalog Number then click **Look Up**

Customer Menu Bar

- Express Ordering
- Quick Pricing**
- Your eStatements
- Your Quotes
- Your Orders
- Personal Catalog

To use this page, type in the CRL Catalog Number and click 'Look Up'

Catalog Number: GEN037CH

Description: CRL Chrome Geneva 037 Series Wall Mount Full Back Plate Standard Hinge

Branch Location	Quantity Available	Intransit
Atlanta, Georgia	143	0
Carolina and Virginia, South Carolina	48	100
Philadelphia Area (Moorestown, New Jersey)	188	0
U.S. Aluminum Atlanta, Georgia	Ask us to verify	0

View Larger Image

More Choices | Product Details

View Cart | Add To Catalog

Add To Cart

Item(s) in Cart: 1

Click here for warehouse locations.

Quantity	U.S. Dollars Per Each
1	XX.XX
Your Price	XX.XX

Your account qualifies for the low price shown here.

- On the **Shopping Cart Page:**

 - Click on **View Cart** located at the top right of the page

Your Account | **View Cart** | Help | Home

Search Word(s) Here Search

Architectural Metals | Transaction Hardware

CRL Locations | Quote Request

- If you decide not to order this item, click **Remove Item**

Quantity	Catalog Number	Update Order	Product Description	Check Stock	Product Warning	UM	UM Price	Ext Price
5	GEN037CH	Add To Cart						
1	GEN037CH	Remove Item	CRL Chrome Geneva 037 Series Adjustable Wall Mount Full Back Plate Hinge	Check	Read	EA	29.25	29.25

Express Checkout PO Number: text 1234

WELCOME TO THE CRL ONLINE CATALOG

How to Check Stock

- 1 On the Product Page:**

 - Enter a CRL Catalog Number in the search box located at the top right of page, then click **Search**
 - If you are signed on, the page will show the quantity available at your local CRL Service Center, other Service Centers in your region, and CRL's Corporate Headquarters.

CRL C.R. Laurence Co., Inc.

Check Here For GLOBAL DIRECTORY | Sign Off | Your Account | View Cart | Help | Home

Enter Your Search Word(s) Here

Frameless Shower Door | Storefronts & Entrances | Architectural Railings | Architectural Metals | Transaction & Hospitality

U.S. Aluminum | Automotive Products | Contact Us/ CRL Locations | Quote Request

Customer Menu Bar

- Express Ordering
- Quick Pricing
- Your eStatements
- Your Quotes
- Your Orders
- Your Invoices
- Personal Catalog
- Your Products
- Your Credit Reference

Searching on CRL

- CRL Total Search
- New Product Area
- Popular Product Lines
- Products by Industry

Products & Services

- Architectural Metal Systems
- Architectural Railing Systems
- Architectural Customers

CRL Geneva 037 Wall Mount Full Back Plate Hinge

Additional Image(s) | Technical Information | Can Ship UPS

CRL Chrome Geneva 037 Series Wall Mount Full Back Plate Standard Hinge

Branch Location	Quantity Available	Intransit
Atlanta, Georgia	143	0
Carolina and Virginia, South Carolina	48	100
Philadelphia Area (Moorestown, New Jersey)	188	0

Order Quantity:

Item(s) in Cart: 1

Click here to check stock at alternate CRL locations.

Quantity	U.S. Dollars Per Each
1	XX.XX

- 2 On the Quick Pricing Page**

 - Click on **Quick Pricing** under "Customer Menu Bar" located on the top left (see image above)

Customer Menu Bar

- Express Ordering
- Quick Pricing
- Your eStatements
- Your Quotes
- Your Orders
- Personal Catalog

- Enter the CRL Catalog Number then click **Look Up**

To use this page, type in the CRL Catalog Number and click Look Up

Catalog Number: GEN037CH

Catalog Number: GEN037CH

Description: CRL Chrome Geneva 037 Series Wall Mount Full Back Plate Standard Hinge

Branch Location	Quantity Available	Intransit
Atlanta, Georgia	143	0
Carolina and Virginia, South Carolina	48	100
Philadelphia Area (Moorestown, New Jersey)	188	0
US Aluminum-Atlanta, Georgia	Ask us to verify	0

Check box to view alternate CRL locations

The highlighted branch location and quantity available shows your normal shipping branch.

The quantity available shown above is deemed to be accurate as of last night. If you need a certain quantity shipped out immediately, add the item to your cart, process your order, and in the comments section of your order ask for stock to be verified. You can also contact Customer Service by calling (800) 421-8144 for immediate verification.

Availability is shown by each of our stocking branches listed. If your shipping location shows zero [click here](#) to read our stocking policy.

- 3 On the Shopping Cart Page:**

 - Enter the quantity and CRL Catalog Number, then click **Add to Cart**
 - If you decide not to order this item, click **Remove Item**

- Click on the word **Check** next to the product description to see available stock at each CRL Service Center

If the order below is complete, click Secure Checkout.

Quantity: Catalog Number:

Quantity	Catalog Number	Product Description	Check Stock	Product Warning	UM	UM Price	Est Price
1	633	CRL Silicone Cleaner and Surface Prep	Check	Bad	CA	13.95	13.95
1	120	CRL Offset Glass Piler	Check		CA	37.90	37.90



C.R. LAURENCE COMPANY

crlaurence.com | usalum.com

X | crlaurence.ca crlaurence.com.au crlaurence.co.uk crlaurence.de crlaurence.eu

WELCOME TO THE CRL ONLINE CATALOG

How to Request a Quote

1 Click on **Quote Request**

The screenshot shows the C.R. Laurence Co., Inc. website. The top navigation bar includes links for 'Sign Off', 'Your Account', 'View Cart', 'Help', and 'Home'. A search bar is present with the text 'Enter Your Search Word(s) Here'. Below the navigation bar, there are several menu items: 'Frameless Shower Door', 'Storefronts & Entrances', 'Architectural Railings', 'Architectural Metals', 'Transaction & Hospitality', 'U.S. Aluminum', 'Automotive Products', 'Contact Us/ CRL Locations', and 'Quote Request'. The 'Quote Request' link is highlighted. Below the navigation bar, there is a 'Customer Menu Bar' with various options like 'Express Ordering', 'Quick Pricing', 'Your eStatements', etc. There are also several buttons for requesting quotes for different product categories: 'Request a Quote for Stock, Non-Stock or Special Item', 'Request a Door Rail Quote', 'Request a Handle Quote', 'Request a Shower Quote', 'Request a Transaction Window Quote', 'Request a Machinery Quote', and 'Request a Balanced Door Quote'. A welcome message follows, and there are two featured sections: 'Request a Quote for Stock, Non-Stock or Special Item' and 'Request a Balanced Door Quote'.

2 Select one of the categories for a summary of the product line then click **Continue to Request Quote**

3 Enter the quantity, CRL Catalog Number, Color or Size (if applicable) and detailed Description, then click **Add To My Quote**

The screenshot shows the 'e-Quotes' form. At the top, there is a navigation bar with links for 'View Your Unprocessed Orders', 'View and Pay Your Invoices', 'View Your History of Shipped Orders', and 'Quote Quotes'. Below the navigation bar, there is a message: 'Looking for something you could not find in our catalog? C.R. Laurence carries over 50,000 products. Simply fill in the details into each of the relevant fields below, then press the "Add to My Quote" button. Once you have entered all of the items you are looking for, press the "Process Quote" button to proceed. You should receive a reply via e-mail/fax within one business day.' Below the message, there is a table with the following columns: 'Quantity', 'Similar CRL Catalog Number', 'Color', 'Size', and 'Description'. The table contains one row with the following values: '1', '1336', 'GREEN', and 'GREEN SLICONE'. Below the table, there are three buttons: 'Add To My Quote', 'Update All Quantities', and 'Continue To Process Quote >>'. The 'Add To My Quote' button is highlighted with a red arrow.

4 Continue to add or click on **Continue to Process Quote**

5 Review the information entered, add a project name and any instructions, then click **Submit**

The screenshot shows the 'e-Quotes' form review section. At the top, there is a navigation bar with links for 'View Your Unprocessed Orders', 'View and Pay Your Invoices', 'View Your History of Shipped Orders', and 'Quote Quotes'. Below the navigation bar, there is a message: 'Please review the information you entered below, and click submit to request a quote.' Below the message, there are several fields: 'Name' (value: 'louie'), 'Fax' (value: '0185541246'), 'Email' (value: 'mike_schwenck@crlaurence.com'), and 'Project Name'. Below the fields, there is a text area for 'Special Instructions or Details (Limited to 60 characters)'. At the bottom, there are two buttons: '<< Make Additional Changes' and 'Submit'. The 'Submit' button is highlighted with a red arrow.

6 You will receive a quote number for your reference and an email response within one business day

WELCOME TO THE CRL ONLINE CATALOG

How to Place an Order

- 1 Click on **Express Ordering** under "Customer Menu Bar"
- 2 Enter the quantity and CRL Catalog Number then click **Add to Cart**
- 3 Continue adding items to the order or click **Secure Checkout**

Quantity	Catalog Number	Update Order	Product Description	Check Stock	Product Warning	UM	UM Price	Ext Price
<input type="text" value="1"/>	M12396	Add To Cart Remove Item	CRL Black Beaded Flexible Belt Molding for 1953 to 1964 Chrysler	Check		EA	13.00	13.00
							Subtotal	\$ 13.00

Shipping costs not included. Click [here](#) to view our shipping policies.

NOTE: To change a quantity, simply enter the new quantity next to the product you want to change and click **Update All Quantities**

- 4 For Ship Via selection, click on the drop down arrow

Ship via:

Special instructions regarding shipping, packaging, if any

Freight Allowance Policy

[Return to Shopping Cart](#) [Continue To Checkout](#)

- 5 Enter special instructions about your order (if any), then click **Continue to Checkout**

- 6 Shipping to a different address? If no, click **Continue to Checkout**. If yes, enter the drop ship address, then click **Continue to Checkout** or **Make Additional Changes**

Ship to different address yes no

Bill to Address

Company: TEST GLASS CO

Contact: mike

Phone: 8004216144

Email: cr@crl.com

Street 1: 2503 E VERNON AVE

Street 2:

City: LOS ANGELES

State: CA

Zip: 90058

Ship to Address ***Required**

[Make Additional Changes](#) [Continue To Checkout](#)

WELCOME TO THE CRL ONLINE CATALOG

How to Place an Order (Continued)

7 Enter PO Number or Name

***Required**

PO number or name *

Current terms for this account: Open Account

Alternate payments methods: Open Account

[Order in Progress](#)

[Make Additional Changes](#) [Continue To Checkout](#)

8 For alternate payment method selection, click on the drop down arrow, then click **Make Additional Changes** or **Continue to Checkout**

9 Review the order confirmation page, then click **Make Additional Changes** or **Continue to Checkout**

Email: crl@crl.com

Ship To
TEST GLASS CO
Attn: "DO NOT SHOP"
5803 E VERNON AVE
LOS ANGELES, CA 90058

Bill To
TEST GLASS CO
"DO NOT SHOP"
5803 E VERNON AVE
LOS ANGELES, CA 90058

Quantity	Catalog Number	Product Description	UOM	UM Price	Est Price
7	082	CRL 8-Breco Cleaner and Surface Prep	EA	10.85	73.85
1	1303	CRL Offcut Glass Film	EA	37.80	37.80
10	330C	CRL Clear 330 8-Breco Sealant	EA	2.39	23.80
3	3413	CRL 8" Straight Jaw General Glass Pliers (Pliers)	EA	6.70	20.10
4	4802	CRL 16" Hex Nut Point Undercut Philips Insert Bit	EA	0.50	2.00
1	51103	CRL Metal Handle Straight Head D4 Cutter	EA	13.80	13.80
1	58160K	CRL Swivel Key - 1.35" Lg. 10" Width - Package of 28	PK	4.50	4.50
1308	VTPH1	CRL Panic Handle Instructional Video Tape	EA	0.80	6.80
				Total	\$165.95

[Make Additional Changes](#) [Continue To Checkout](#)

10 If your order does not yet qualify to receive one of our Internet Bonuses, you can click **Return to Shopping Cart** to increase your order, or click **Finalize Without Bonus**

We thank you for your order. It is valued at **\$185.05** and does not yet qualify for one of our Free Internet Order Bonuses. If you wish to increase your order to qualify for one of the Bonus Items shown below just click on the Return to Shopping Cart button or on View Cart. If you want to process your order as-is click on the Finalize This Order As-is button below. Thank you once again.

[Order in Progress](#)

[Return to Shopping Cart](#)

[Finalize Without Bonus](#)

Orders over \$500.00 qualify to receive one item from this category.

HCT205SPG CRL 4.5 Pound Can Hand Cleaner	LEVRSPG CRL 9" Magnetic Level	MUGSPG CRL Coffee Mug	SS403SPG CRL Glass Cutter and Pencil Pouch	SP1015PG CRL "Sparkle" Cleaner and Stain Remover

11 If your order does qualify for an Internet Bonus, click on the **bonus item of your choice** or click **Finalize Without Bonus**

Thank you for your order. Please print this page for your records. [Order Receipts](#)

You will be able to check on, change, or view information about this or any other order by clicking on My CRL located on the top of every page. This order will be posted and viewable within minutes during regular business hours. Reference #: 58810

Customer Information		Shipping Information	
Contact:	mlca	This order will ship from:	LOS ANGELES, CALIFORNIA
Account number:	00017000	Ship via:	LPS Ground
Phone:	800216144	OK to call items:	No
PO number:	12345		
Payment method:	Open Account		
Order confirmation:	Email		
Email:	crl@crl.com		

Ship To
TEST GLASS CO
Attn: "DO NOT SHOP"
5803 E VERNON AVE
LOS ANGELES, CA 90058

Bill To
TEST GLASS CO
"DO NOT SHOP"
5803 E VERNON AVE
LOS ANGELES, CA 90058

Quantity	Catalog Number	Product Description	UOM	UM Price	Est Price
7	082	CRL 8-Breco Cleaner and Surface Prep	EA	10.85	73.85
1	1303	CRL Offcut Glass Film	EA	37.80	37.80
10	330C	CRL Clear 330 8-Breco Sealant	EA	2.39	23.80
3	3413	CRL 8" Straight Jaw General Glass Pliers (Pliers)	EA	6.70	20.10
4	4802	CRL 16" Hex Nut Point Undercut Philips Insert Bit	EA	0.50	2.00
1	51103	CRL Metal Handle Straight Head D4 Cutter	EA	13.80	13.80
1	58160K	CRL Swivel Key - 1.35" Lg. 10" Width - Package of 28	PK	4.50	4.50
1308	VTPH1	CRL Panic Handle Instructional Video Tape	EA	0.80	6.80
				Total	\$165.95

[Print](#) [Place Another Order](#)

12 Print the confirmation screen for your records or click **Place Another Order**

WELCOME TO THE CRL ONLINE CATALOG

How to Pay Your Statement

1 Click on **Your Account**

The screenshot shows the CRL website homepage. A red arrow points from the 'Your Account' link in the top right corner to the instruction 'Click on Your Account'.

2 Click on **View and Pay My Invoices**

The screenshot shows the 'My CRL Orders' page. A red arrow points from the 'View and Pay My Invoices' link in the left sidebar to the instruction 'Click on View and Pay My Invoices'.

3 Click on the box next to each Invoice you want to pay, then click **Pay with Check** or **Pay with Credit Card**

The screenshot shows the invoice payment interface. A red arrow points from the 'Pay with Check' or 'Pay with Credit Card' buttons to the instruction 'Click on the box next to each Invoice you want to pay, then click Pay with Check or Pay with Credit Card'.

Invoice #	Order #	Reference #	PO #	Reference Date	Adjustment Amount	Charges	Payments	Credit Memo	Balance	Pay Amount?
<input checked="" type="checkbox"/>	L48103	3196428	1758	2/4/2013	0.00	188.20	0.00	0.00	188.20	
<input type="checkbox"/>	L80179	3196992	1757	2/4/2013	0.00	185.20	0.00	0.00	185.20	
<input type="checkbox"/>	L61376	3196901	206664	2/4/2013	0.00	99.20	0.00	0.00	99.20	
<input type="checkbox"/>	L61145	3196528	1758	2/4/2013	0.00	13.68	0.00	0.00	13.68	
<input checked="" type="checkbox"/>	L67976	3200994	1767	2/2/2013	0.00	443.89	0.00	0.00	443.89	
<input type="checkbox"/>	L39928	3200734	1754	2/2/2013	0.00	1,368.15	0.00	0.00	1,368.15	
<input checked="" type="checkbox"/>	L41588	3204089	206428	2/6/2013	0.00	377.73	0.00	0.00	377.73	

Total Being Paid: 977.91 **Date 2/6/2013**

Order Number	Reference Number	PO Number	Reference Date	Adjustment Amount	Charges	Payments	Credit Memo	Balance	Pay Amount?
L41588	3204089	206428	2/6/2013	0.00	377.73	0.00	0.00	377.73	377.73

4 Enter comments about your payment (if any) then click **Process Online**

The screenshot shows the payment confirmation screen. A red arrow points from the 'Process Online' button to the instruction 'Enter comments about your payment (if any) then click Process Online'.

Confirmation #: 11042009-72
Thank you for the payment.

5 You will be given a Confirmation Number for your payment



C.R. LAURENCE COMPANY

crlaurence.com | usalum.com

XIV | crlaurence.ca crlaurence.com.au crlaurence.co.uk crlaurence.de crlaurence.eu

WELCOME TO THE CRL ONLINE CATALOG

How to Contact CRL

- 1 Click on **Contact Us/CRL Locations**
- 2 Click on the **department** you want to contact via email or fax

C.R. Laurence Co., Inc.

Frameless Shower Door | Stairlifts & Escalators | Architectural Railings | Architectural Metals | Transaction & Hospitality
 U.S. Aluminum | Automotive Products | **Contact Us/CRL Locations** | Quote Request

CRL US LOCATIONS
USALUMINUM LOCATIONS

C.R. Laurence Co., Inc.
 Corporate Headquarters
 2503 E. Vernon Ave. Los Angeles, CA 90058-1826
 Toll Free Phone (800) 421-6144
 Toll Free Fax (800) 262-3299
 International Phone (323) 588-1281
 International Fax (323) 581-8522

DEPARTMENT	FAX	DEPARTMENT	FAX
Architectural Business Development Contact Architectural Services Division About Specifications, CAD Details, LEED® Statement and Receiving Architectural Orders	(866) 921-9533	Tajima Metals Division Contact Our Tajima Metals Division About any Tajima Metals Specific Question	(866) 321-0932
Blumcraft or Blumcraft Click on the link to view the Contact Us page for Blumcraft	(412) 681-8840	Technical Sales for Automotive Products Contact Automotive Technical Sales About any Detailing Product Specific Question	(800) 845-4522
Credit Contact the Credit Department About Your Statement or an Invoice	(800) 845-4529	Technical Sales for Architectural Metals Products Contact Architectural Metals Technical Sales About any Detailed Product Specific Question	(866) 321-0932
Customer Service Contact Customer Service About any Order or Customer Service Issue	(800) 262-3299	Technical Sales for Door and Window Products Contact Door and Window Technical Sales About any Detailed Product Specific Question	(866) 321-0931
		Technical Sales for Commercial Products	(800) 587-7601

6. Miami Area (954) 846-8233
7. Chicago, Illinois (800) 323-8480
8. San Diego, California (858) 678-8684
9. Waco/Fachia, Texas (800) 827-8440

How to Find Addresses for CRL Service Centers

- 1 Click on **Contact Us/CRL Locations** (see above image)
- 2 Click on the **CRL Service Center** nearest you
- 3 View and/or print map directions

C.R. Laurence Co., Inc.

Corporate Headquarters
 2503 E. Vernon Ave. Los Angeles, CA 90058-1826
 Toll Free Phone (800) 421-6144
 Toll Free Fax (800) 262-3299
 International Phone (323) 588-1281
 International Fax (323) 581-8522

Remittance Address
 P.O. Box 58923 Los Angeles, CA 90056-0923

1. Los Angeles, California (323) 588-1281
2. Dallas, Texas (214) 834-7305
3. Chicago Area (847) 426-3900
4. San Francisco / Oakland Area (510) 475-1000
16. Miami Area (954) 846-8233
17. Chicago, Illinois (800) 323-8480
18. San Diego, California (858) 678-8684
20. Waco/Fachia, Texas (800) 827-8440

CRL of Southern California

1. Los Angeles, California (323) 588-1281

2. Dallas, Texas (214) 834-7305

3. Chicago Area (847) 426-3900

4. San Francisco / Oakland Area (510) 475-1000

16. Miami Area (954) 846-8233

17. Chicago, Illinois (800) 323-8480

18. San Diego, California (858) 678-8684

20. Waco/Fachia, Texas (800) 827-8440

WELCOME TO THE CRL ONLINE CATALOG

Some Other Features of crlaurence.com



CRL Express Checkout

If you want to be able to complete your online orders in one click, and if you use the same billing and shipping methods on most orders, this is for you. To turn this valuable time-saving feature on:



Express Checkout

- 1 Click on **Your Account**
- 2 Click on **CRL Express Checkout**
- 3 Click on **Turn Express Checkout On**

CRL e-News



Subscribers to this free service get once a month updates on new products, our monthly promotion, industry events, technical bulletins, and more.



- 1 Sign up and view past issues by clicking on **News/Events**, then on the **CRL e-Newsletter** link.



CRL Online Software



Subscribers to our Showers Online, Storefronts Online, and Hand Rails Online Optimization Programs access them by clicking on Online Programs. These web-based programs save subscribers countless man-hours, helping reduce labor costs. →



CRL Webinars (Web Seminars)



Register to join us online by clicking on News/Events, then clicking on Webinars for live training by industry professionals, or view previous Webinars. New topics are added regularly, so check in frequently.

Connect With CRL While You Are Online

If you wish to contact or connect with CRL while you are online, you can reach us on Facebook, Twitter, YouTube, LinkedIn, Behance, Google Plus, Flickr, and you can even use Skype to call us for free from anywhere in the world.

Be the first to know about new content, videos, press releases, and more by connecting with CRL from these pages.

You can connect with CRL using any of these methods right from our home page.



C.R. LAURENCE COMPANY

crlaurence.com | usalum.com

XVI | crlaurence.ca crlaurence.com.au crlaurence.co.uk crlaurence.de crlaurence.eu



CRL Methods of Ordering Online at crlaurence.com

- crlaurence.com Never Closes!
- It's the Home of Our Online Catalog

Many of our customers have found the most convenient method of ordering from CRL is through our "self-service" web site. When you use crlaurence.com to place your orders you have many options that other methods don't provide. You set the schedule and the pace because you can sign on 24 hours a day, seven days a week. You can build a personal catalog and even make changes or additions to your orders online. There's no easier way! See pages III through XVI for more information about the benefits of ordering at crlaurence.com.



Toll Free Fax Service

- This Convenient Way of Ordering is Used Over 1,000 Times Every Day

When we introduced toll free fax service in the '80's we had no idea how popular it would become, but now our customers send us over 1,000 orders or quote requests every business day! Fax ordering is very convenient because you can fill out your own purchase orders and then just fax them to us. You can be specific about shipping instructions or other details that will help us serve you. To send your orders or quote requests by toll free fax from anywhere in the U.S. or Canada, just dial **(800) 262-3299**. In Australia the number is **1800 813 013**. In Europe the freefax number is **00 800 0262 3299**.



Toll Free Customer Service Order Desk

- Our Friendly, Trained Staff is Always Happy to Hear From You

For over 40 years CRL has provided toll free ordering at **(800) 421-6144**. When you call our Customer Service Order Desk you'll find CRL staff who are trained to provide assistance with CRL products and services. They have instant access to pricing, stock availability, and the status of your account, plus they can connect you to CRL Technical Sales personnel if you need specialized product assistance. Order Desk hours are 6 am to 5 pm (Pacific Time) Monday through Friday, and 7 am to 12 pm Saturdays. In Australia our number is **1800 424 275**. In Europe our freephone number is **00 800 0421 6144**.



Will Call Trade Counter

- When You Need It Today, Our Will Call Trade Counter is Your Fastest Option
- Come In and Visit Us at All CRL Service Center Locations

Every CRL Service Center location has a Will Call Trade Counter where you can place and pick up your orders in person. And when you place your order in advance by phone, fax, or over the Internet, we can have it ready and waiting for you, which can save you a lot of time. Will Call Trade Counter hours are 8 am to 5 pm Monday through Friday, and 8 am to 12 pm Saturdays. Some of our most experienced people staff our Will Call Trade Counter, and they are always happy to see you. Remember, to save time just place your order in advance.

Who May Buy

C.R. Laurence is a manufacturer and wholesale distributor. Possession of this catalog, or any other CRL sales literature, does not constitute an offer to sell. Orders from individuals (except professional tradesmen) may not be accepted.

C.R. Laurence is a Catalog Company

- Master and Specialty Catalogs in Print and Online
- Thousands of Products Presented in an Organized Manner
- Color Photos and Detailed Illustrations
- Easy to Understand Ordering Information



Of all the products we bring you, our catalogs may be the most important. C.R. Laurence is in the business of making catalogs because we know that our customers find it convenient and informative to use these carefully planned and thoroughly prepared catalogs that make it easy for them to find exactly what they need.

Part of our catalog philosophy is to provide more of the information you need, and not overburden you with excess catalog literature. That is why we make our Master Catalogs that usually contain all of the products we offer to certain industries, as well as our Specialty Catalogs that focus on particular product groups. You can select CRL Catalogs for only the areas that pertain to your business, or choose to shop from our Master Catalogs because you like the convenience of finding such a wide variety of products all under one cover.

Our Catalog Library continues to grow with the publication of new Specialty Catalogs on a regular basis. Visit our Catalog Library online at crlaurence.com to see our latest editions.

Master Catalog Selection

- 03 SEALANTS, ADHESIVES, AND FASTENERS
- 23R FRAMELESS SHOWER DOOR HARDWARE
- 43 AUTO GLASS TOOLS AND WINDOWS
- 53R GLASS AND GLAZING HARDWARE
- 63A ARCHITECTURAL HARDWARE
- 63R ARCHITECTURAL RAILING
- 73R TOOLS, MACHINERY, AND EQUIPMENT
- 83R DOOR AND WINDOW REPLACEMENT HARDWARE
- 93 BIG RED MASTER CATALOG

Free CRL Catalogs Online

You can also view or download CRL Catalogs free of charge any time at crlaurence.com. Go to the Home Page and click on the link for the CRL Catalog Library.



Once you open the page you'll be able to view full PDF versions of each catalog simply by clicking on the image of that catalog's cover. Browse through them page by page at your convenience. When you find a product that you want more information about, or would like to order, just click on its Catalog Number and you'll go directly to that product's Offer Page. It's another convenient way for you to shop at crlaurence.com.

Catalog Library


HOME
Architectural Products
Frameless Showers
Glass and Glazing
Transaction, Security, Hospitality
Windows and Doors
See All Catalogs

CRL's Complete Selection of Catalogs


- Master and Specialty Catalogs in Print and Online
- Thousands of Products Presented in an Organized Manner
- Color Photos and Detailed Illustrations
- Download PDF Catalogs from a ZIP File Here

New: Each flip catalog has interactive catalog number links which, when clicked, direct you to that product's information page in the language of the web site from where you were viewing the catalog.


To view the details of any particular catalog online, first click on one of the links above to the type of products you are looking for, then click on the catalog's icon you are interested in. If you encounter any problems, need assistance, or have a question, click on [Contact Us](#). Thank you.




AB30
Architectural Hardware Door Openings




AB40
Architectural Hardware Hospitality/Service




AB70
Catalog Assortment



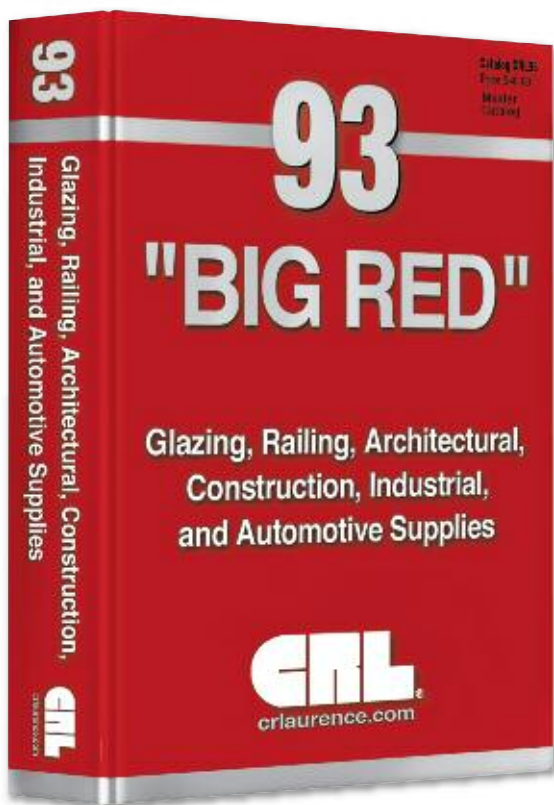
CH6 **CH3** CRL Catalog Organizers



23R SDH
Frameless Shower Door and Mirror Hardware



23R SDH
Frameless Shower Door and Mirror Hardware



"BIG RED" CAT. NO. CRL93

This massive full-color volume will feature an extensive A to Z Product Index for quick look-up of products

- Hardware for Glass and Mirrors, Doors and Windows and Screens, Frameless Showers, and Retail Displays
- Glazing Tools and Machinery
- Glass Handling Equipment
- Auto Glass Shop Tools and Supplies
- Sealants, Adhesives, and Mastics

View Any Page of the CRL93 Online at crlaurence.com

Viewing the CRL93 Catalogs online is as easy as 1-2-3. Simply start from our home page, crlaurence.com, and click on CRL Catalog Library.

1



2



Then choose a viewing option. It's that easy!

3



The CRL93 Master Catalog

- The Return of "Big Red", Our Original Master Catalog
- Our Most Popular Catalog Ever Features Our Best Selling Product Lines in One Comprehensive Volume
- The Most Asked for Everyday Glazing Tools and Supplies for the Successful Glass Business
- A Full Selection of Our Most Popular General Tools, Plus Safety and Maintenance Supplies That Can Be Used By Most Any Business

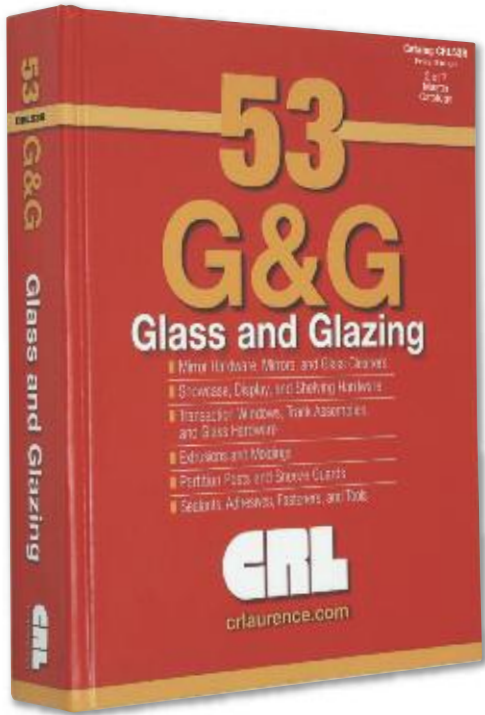
For many years we offered all of our products in just one catalog. CRL93, or "Big Red" as it was called, was the single resource for our entire selection of tools and supplies for the glazing industry. It was so popular that we eventually made four reprints, and over the years distributed over 200,000 copies.

As CRL expanded to serve many more industries it became apparent that we just couldn't get everything under one cover any longer. And so was born our volume of Master Catalogs, with individualized catalogs that focus on core product lines for the industries we serve. We've printed and distributed many thousands of these volumes as well, and they have spawned our popular Specialty Catalogs for individual product lines.

But for many years our customers have commented that they would still like to have one resource catalog for the everyday supplies they use the most, one catalog of the most popular every day items. At CRL we strive to oblige the customers we value so dearly, and because so many have asked, "Big Red" is about to make its return.

The new CRL93 "Big Red" will bring our customers just what they asked for; the best of CRL's product line under one cover. It will feature the top quality items that most any business can use for their day-to-day needs. Products will be organized for easy selection and ordering, and we'll list the details you need to know in order to make an informed selection.

Look for "Big Red" in 2014. In the meantime, all other CRL Master and Specialty Catalogs are available for order, download, or viewing online at crlaurence.com. Click into our Catalog Library to see our full selection of informative and colorful product catalogs for your successful business.



CAT. NO. CRL53R

800 full-color pages, including an extensive A to Z Product Index for quick look-up of products

Glass and Glazing Master Catalog CRL53R

- Mirror Hardware, Mirrors, and Glass Cleaner
- Showcase, Display, and Shelving Hardware
- Transaction Windows, Track Assemblies, and Glass Hardware
- Extrusions and Moldings
- Partition Posts and Sneeze Guards
- Sealants, Adhesives, and Fasteners
- Glazier's Tools and Equipment

CRL53R Glass and Glazing Catalog is an absolute must for glass shops and glazing contractors. It showcases almost 8,000 products, featuring the finest and most comprehensive line of glass and glazing hardware. CRL53R is separated into six sections for fast and easy product reference, and organized to make ordering primary and related products simple. It's the second in CRL's series of Master Catalogs that serve the glass industry and related businesses, each focusing on one of our core business groups.



View Any Page of the CRL53R Online at crlaurence.com

Viewing the CRL53R Catalog online is as easy as 1-2-3. Simply start from our home page, crlaurence.com, and click on CRL Catalog Library.

1



2



Then choose a viewing option. It's that easy!

3



Technical Assistance for Glass and Glazing

Live consultation by phone is available from 6:00 am to 5:00 pm (Pacific Time) Monday through Friday, and 7:00 am to 12:00 pm on Saturday.

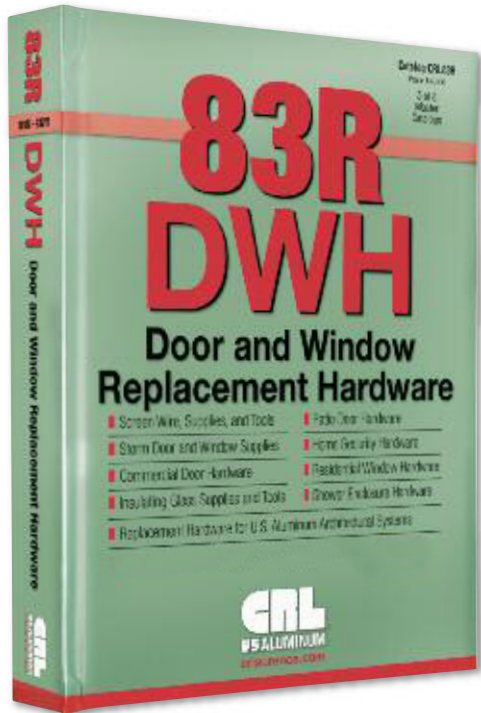
Ask for Extension
5275
 Direct Fax
(800) 262-3299
 Direct E-Mail
crl@crlaurence.com



C.R. LAURENCE COMPANY

crlaurence.com | usalum.com

XX | crlaurence.ca crlaurence.com.au crlaurence.co.uk crlaurence.de crlaurence.eu



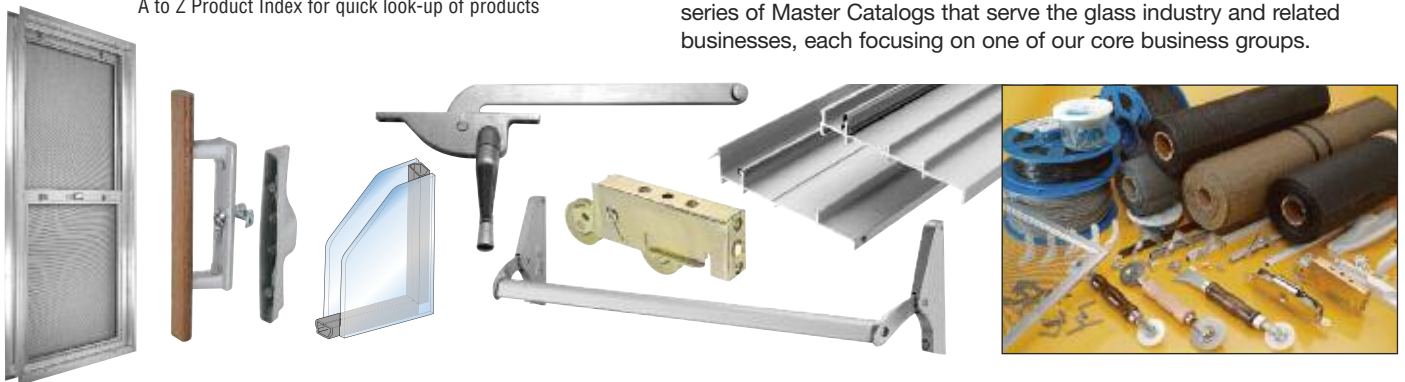
CAT. NO. CRL83R

864 full-color pages, including an extensive A to Z Product Index for quick look-up of products

Door and Window Replacement Hardware Master Catalog CRL83R

- Replacement Hardware for U.S. Aluminum Architectural Systems
- Screen Wire, Supplies, and Tools
- Patio Door Hardware
- Storm Door and Window Supplies
- Home Security Hardware
- Commercial Door Hardware
- Residential Window Hardware
- Insulating Glass Supplies and Tools
- Shower Enclosure Hardware

CRL83R features our comprehensive selection of door and window replacement parts for residential, commercial, and institutional use. There is also a full selection of hardware for use in shower enclosures, and our full program for the fabrication and installation of energy saving insulating glass units. The CRL83R Master Catalog is separated into six sections for fast and easy product reference. It's the fifth in CRL's series of Master Catalogs that serve the glass industry and related businesses, each focusing on one of our core business groups.



View Any Page of the CRL83R Online at crlaurence.com

Viewing the CRL83R Catalog online is as easy as 1-2-3. Simply start from our home page, crlaurence.com, and click on CRL Catalog Library.



1



2

Then choose a viewing option. It's that easy!



3

Technical Assistance for Door and Window Hardware, Including Our Blumcraft and Jackson Brands

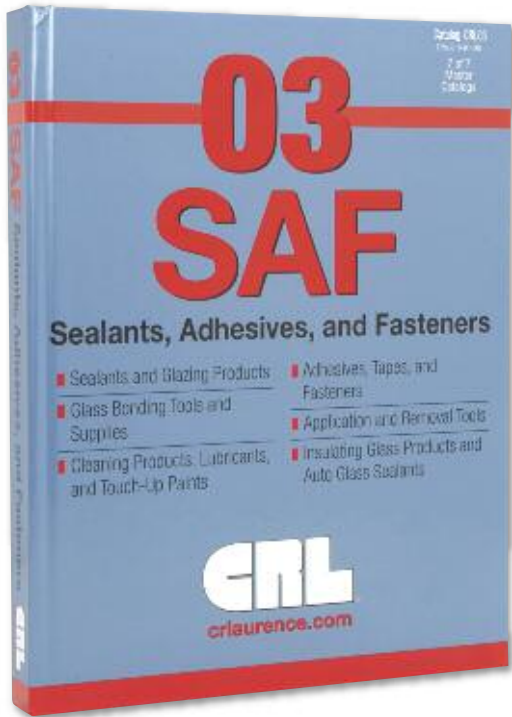
Live consultation by phone is available from 6:00 am to 5:00 pm (Pacific Time) Monday through Friday, and 7:00 am to 12:00 pm on Saturday.

Ask for Extension
7520

Direct Fax
(866) 921-0531

Direct E-Mail
glazing@crlaurence.com





CAT. NO. CRL03

Over 400 full-color pages, including an extensive A to Z Product Index for quick look-up of products

Sealants, Adhesives, and Fasteners Master Catalog CRL03

- Silicones, Polyurethanes, Butyls, Acrylics, and Other High Performance Sealants
- Application and Finishing Tools
- Shims, Setting Blocks, and Backer Rods
- Fast Curing and Durable Adhesives
- Paper, Plastic, Metal, and Foam-Based Tapes
- Screws, Nails, Rivets, Nuts and Bolts, Washers, Anchors, and Other Mechanical Fasteners
- Setting and Fastening Tools
- Cleaning and Maintenance Products

CRL03 is where you will find our extensive line of sealants, adhesives, cleaners, lubricants, and other chemical construction, fabrication, and maintenance products. We also feature CRL's line of mechanical fasteners and tape products in a variety unmatched in the glass industry. The CRL03 Master Catalog is organized into sections for fast and easy product reference. It's the seventh in CRL's series of Master Catalogs that serve the glass industry and related businesses, each focusing on one of our core business groups.



View Any Page of the CRL03 Online at crlaurence.com

Viewing the CRL03 Catalog online is as easy as 1-2-3. Simply start from our home page, crlaurence.com, and click on CRL Catalog Library.

1



2



Then choose a viewing option. It's that easy!

3



Technical Assistance for Sealants, Adhesives, and Fasteners

Live consultation by phone is available from 6:00 am to 5:00 pm (Pacific Time) Monday through Friday, and 7:00 am to 12:00 pm on Saturday.

Ask for Extension
5275

Direct Fax
(800) 262-3299

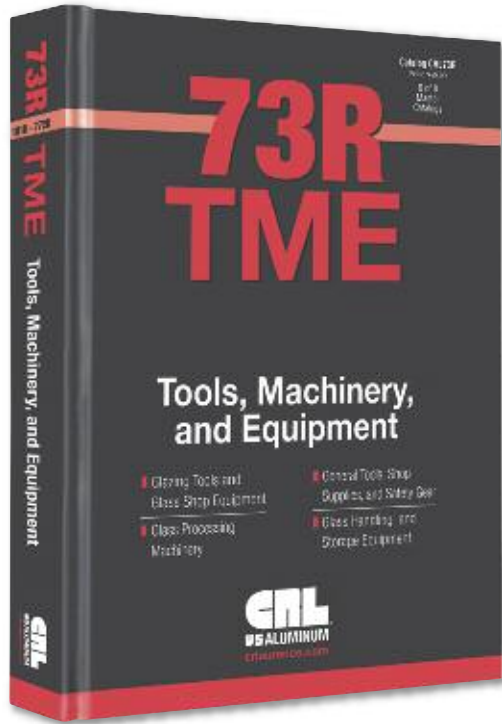
Direct E-Mail
crl@crlaurence.com



C.R. LAURENCE COMPANY

crlaurence.com | usalum.com

XXII | crlaurence.ca crlaurence.com.au crlaurence.co.uk crlaurence.de crlaurence.eu



CAT. NO. CRL73R

Over 600 full-color pages, including an extensive A to Z Product Index for quick look-up of products

Tools, Machinery, and Equipment Master Catalog CRL73R

- Glaziers' Tools
- Glass Handling Tools
- Safety Gear
- Specialty Tools
- General Hand and Shop Tools
- Caulking Tools
- Insulating Glass
- Glass Storage Equipment
- Glass Working Machinery
- Lifting Equipment

CRL73R is where you will find our extensive line of Tools, Machinery, and Equipment specifically designed for the glazing industry. This catalog contains the most complete list found in the industry of every essential tool the glazing professional needs from abrasives to truck racks and safety glasses; from auto glass tools to cut protection garments; from caulking guns to UV bonding tools and solar energy equipment. CRL73R Master Catalog is organized into six sections for fast and easy product reference. It is the sixth in CRL's series of Master Catalogs that serve the glass industry and related businesses, each focusing on one of our core business groups.



View Any Page of the CRL73R Online at crlaurence.com

Viewing the CRL73R Catalog online is as easy as 1-2-3. Simply start from our home page, crlaurence.com, and click on CRL Catalog Library.

1



2



Then choose a viewing option. It's that easy!

3



Technical Assistance for Tools, Machinery, and Equipment

Live consultation by phone is available from 6:00 am to 5:00 pm (Pacific Time) Monday through Friday, and 7:00 am to 12:00 pm on Saturday.

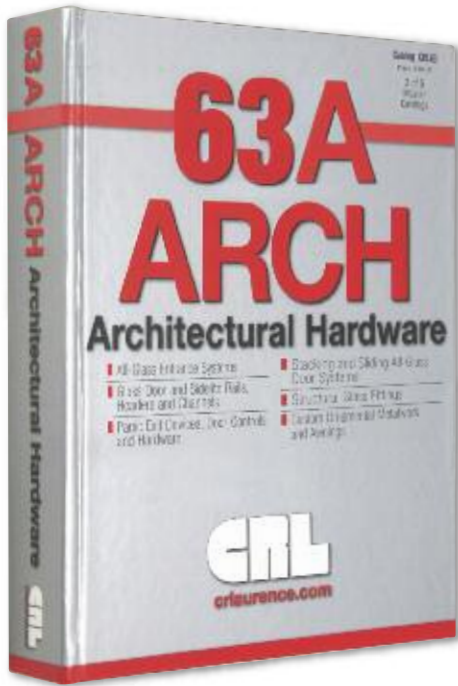
Ask for Extension
5275

Direct Fax
(800) 262-3299

Direct E-Mail
crl@crlaurence.com



ARCHITECTURAL HARDWARE CATALOG



CAT. NO. CRL63A

Over 500 full-color pages, including an extensive A to Z Product Index for quick look-up of products

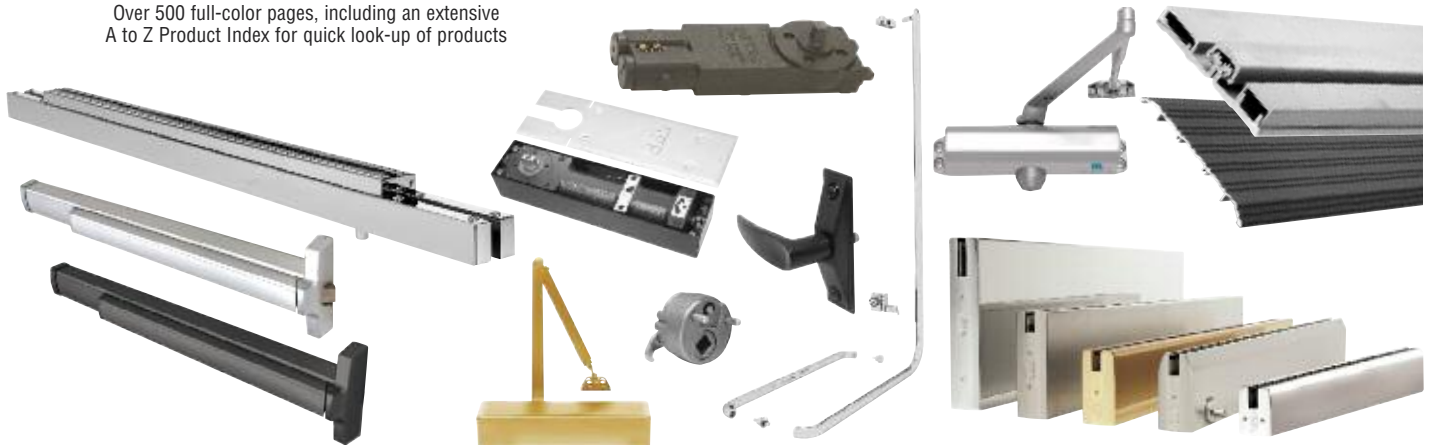
CRL Architectural Hardware Master Catalog CRL63A

- All-Glass Entrance Systems
- Glass Door and Sidelite Rails, Headers and Channels
- Panic Exit Devices, Door Controls and Hardware
- Stacking and Sliding All-Glass Door Systems
- Structural Glass Fittings
- Custom Ornamental Metalwork and Awnings



Ask about a FREE 30-Day Trial of 'All-Glass' Storefronts Online® our Web-based glass sizing and estimating program

The CRL63A Architectural Hardware Master Catalog features the most comprehensive line of heavy glass and architectural hardware. CRL63A is organized and indexed for fast and easy product reference. CRL63A is the third in CRL's series of Master Catalogs that serve the glass industry and related businesses, each focusing on one of our core business groups.



View Any Page of the CRL63A Online at crlaurence.com

Viewing the CRL63A Catalog online is as easy as 1-2-3. Simply start from our home page, crlaurence.com, and click on CRL Catalog Library.

1



2



Then choose a viewing option. It's that easy!

3



Technical Assistance for Architectural Hardware

Live consultation by phone is available from 6:00 am to 5:00 pm (Pacific Time) Monday through Friday, and 7:00 am to 12:00 pm on Saturday.

Ask for Extension

7700

Direct Fax
(800) 587-7501

Direct E-Mail
architectural@crlaurence.com

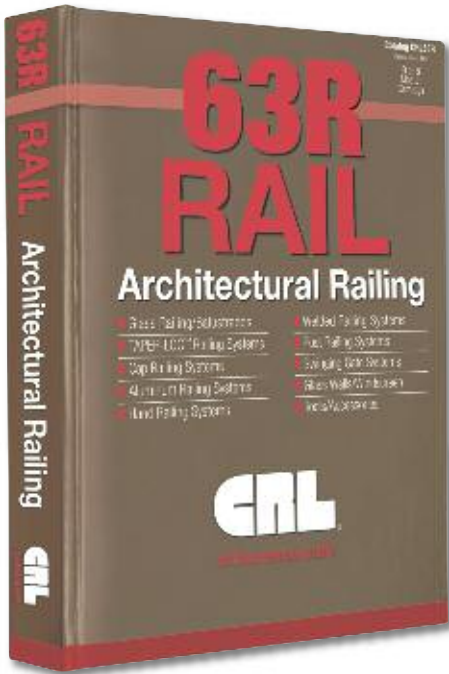


C.R. LAURENCE COMPANY

crlaurence.com | usalum.com

XXIV | crlaurence.ca crlaurence.com.au crlaurence.co.uk crlaurence.de crlaurence.eu

ARCHITECTURAL RAILING CATALOG



CAT. NO. CRL63R

Over 500 full-color pages, including an extensive A to Z Product Index for quick look-up of products

CRL Architectural Railing Master Catalog CRL63R

- Glass Railings/Balustrades
- TAPER-LOC® Railing Systems
- Cap Railing Systems
- Aluminum Railing Systems
- Hand Railing Systems
- Welded Railing Systems
- Post Railing Systems
- Swinging Gate Systems
- Glass Walls/Windscreens
- Tools/Accessories



Ask about a FREE 30-Day Trial of Hand Rails Online, our Web-based glass sizing and estimating program

The CRL63R Architectural Railing Master Catalog features our extensive line of hand rails, guard rails, aluminum railing and windscreen hardware. CRL63R is organized into sections for fast and easy product reference. It's part of CRL's series of Master Catalogs that serve the glass industry and related businesses, each focusing on one of our core business groups.



View Any Page of the CRL63R Online at crlaurence.com

Viewing the CRL63R Catalog online is as easy as 1-2-3. Simply start from our home page, crlaurence.com, and click on CRL Catalog Library.

1



2



Then choose a viewing option. It's that easy!

3



Technical Assistance for Architectural Railings

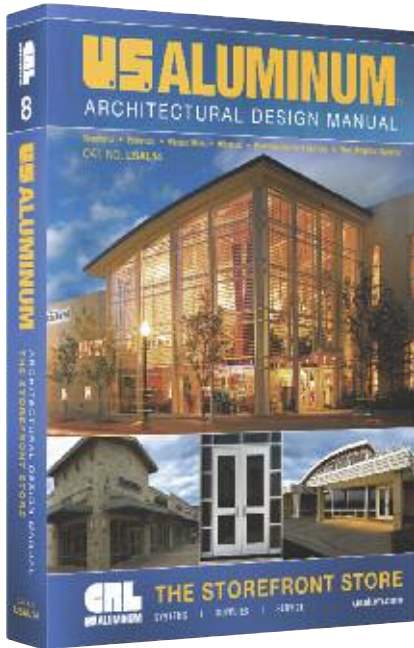
Live consultation by phone is available from 6:00 am to 5:00 pm (Pacific Time) Monday through Friday, and 7:00 am to 12:00 pm on Saturday.

Ask for Extension
7730

Direct Fax
(800) 587-7501

Direct E-Mail
railings@crlaurence.com





CAT. NO. USAL14

Over 500 pages of extensive information on Entrances, Storefronts, Window Walls, Windows, Hurricane Resistant, and Blast Mitigation Systems.

U.S. Aluminum The Storefront Store Architectural Design Manual USAL14

- Storefronts
- Entrance Doors
- Window Walls
- Windows
- Hurricane Resistant Systems
- Blast Resistant Systems

Our USAL14 Architectural Design Manual will show you how simple it can be to get into the storefront installation and repair business. U.S. Aluminum has designed and engineered a number of proven and attractive storefront systems with long-lasting quality, reliability, and durability. Whatever the climate and environment, our storefront systems are known performers that deliver value on a daily basis.

The USAL14 Architectural Design Manual has over 500 pages of extensive information on Aluminum Entrance Doors, Storefronts, Window Walls, Windows, Hurricane (Impact) Resistant Systems, Blast Mitigation Systems, 'All-Glass' Entrances, and Interior Office Front Systems, including an A to Z Index for quick look-up of products. Organized into sections for fast and easy product reference, the USAL14 Architectural Design Manual is your premier source for all things storefront.



View Any Page of the USAL14 Online at crlaurence.com

Viewing the USAL14 Catalog online is as easy as 1-2-3. Simply start from our home page, crlaurence.com, and click on CRL Catalog Library.

1



2



Then choose a viewing option. It's that easy!

3



Technical Assistance for U.S. Aluminum Storefront Systems

Live consultation by phone is available from 6:00 am to 5:00 pm (Pacific Time) Monday through Friday, and 7:00 am to 12:00 pm on Saturday.

Ask for Extension

5305

Direct Fax
(866) 262-3299

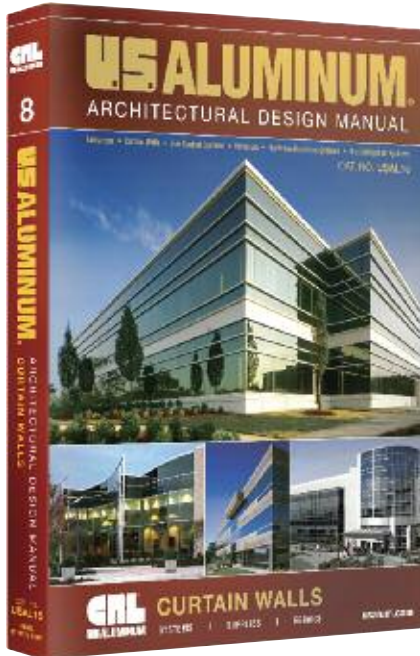
Direct E-Mail
usalum@crlaurence.com



C.R. LAURENCE COMPANY

crlaurence.com | usalum.com

XXVI | crlaurence.ca crlaurence.com.au crlaurence.co.uk crlaurence.de crlaurence.eu



U.S. Aluminum Curtain Wall Architectural Design Manual USAL15

- Entrance Doors
- Windows
- Curtain Walls
- Hurricane Resistant Systems
- Sun Control Systems
- Blast Resistant Systems

Our USAL15 Architectural Design Manual offers you a full range of curtain wall systems with superior thermal performance. The quality, performance, and aesthetic beauty of our products permit architects and designers to fully utilize the unique structural properties of aluminum for both interior and exterior design. Finishes range from custom matched painted coatings to a wide selection of clear, bronze or black anodic finishes.

Our engineering staff constantly updates product design to satisfy the performance requirements and economic concerns of today's most demanding projects. After design, certified independent testing labs test our systems to the highest industry standards.

The USAL15 Architectural Design Manual has over 500 pages of extensive information on Aluminum Entrance Doors, Curtain Walls, Sun Control Systems, Windows, Hurricane (Impact) Resistant Systems, Blast Mitigation Systems, 'All-Glass' Entrances, and Interior Office Front Systems, including an A to Z Index for quick look-up of products. Organized into sections for fast and easy product reference, the USAL15 Architectural Design Manual is your guide for the selection of efficient and attractive curtain wall systems.

CAT. NO. USAL15

Over 500 pages of extensive information on Entrances, Curtain Walls, Sun Control Systems, Windows, Hurricane Resistant, and Blast Mitigation Systems.



View Any Page of the USAL15 Online at crlaurence.com

Viewing the USAL15 Catalog online is as easy as 1-2-3. Simply start from our home page, crlaurence.com, and click on CRL Catalog Library.

1



2



Then choose a viewing option. It's that easy!

3



Technical Assistance for U.S. Aluminum Curtain Wall Systems

Live consultation by phone is available from 6:00 am to 5:00 pm (Pacific Time) Monday through Friday, and 7:00 am to 12:00 pm on Saturday.

Ask for Extension

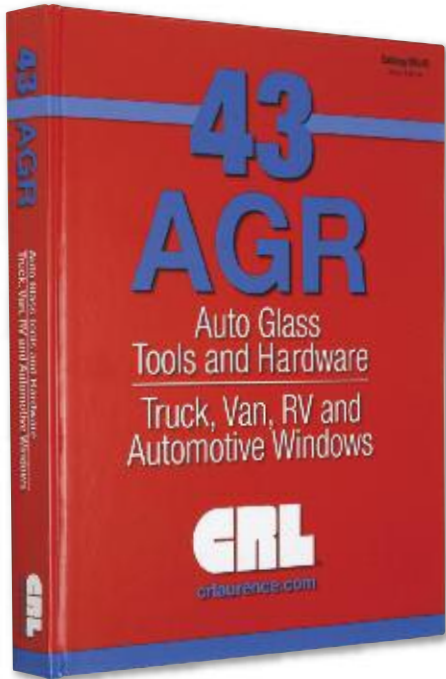
5305

Direct Fax
(866) 262-3299

Direct E-Mail

usalum@crlaurence.com





CAT. NO. CRL43

Over 400 full-color pages, including an extensive A to Z Product Index for quick look-up of products

CRL Auto Glass Tools and Hardware Master Catalog CRL43

- Truck, Van, RV, and Automotive Windows
- Auto Glass Adhesives and Sealants
- Auto Glass Shop Tools and Equipment
- Cleaning Supplies and Lubricants
- Automotive Weatherstrips, Moldings, and Replacement Gaskets
- Auto Glass Clips and Fasteners
- Safety Gear and First Aid Kits

The CRL43 Auto Glass Catalog focuses on tools, equipment, supplies, safety gear, and accessories used by the auto glass industry. The CRL43 Auto Glass Master Catalog is separated into five sections for fast and easy product reference. It's the first in CRL's series of Master Catalogs that serve the glass industry and related businesses, each focusing on one of our core business groups.



View Any Page of the CRL43 Online at crlaurence.com

Viewing the CRL43 Catalog online is as easy as 1-2-3. Simply start from our home page, crlaurence.com, and click on CRL Catalog Library.



2



Then choose a viewing option. It's that easy!

3



Technical Assistance for Automotive Accessories

Live consultation by phone is available from 6:00 am to 5:00 pm (Pacific Time) Monday through Friday, and 7:00 am to 12:00 pm on Saturday.

Ask for Extension
7780

Direct Fax
(800) 587-7501

Direct E-Mail
automotive@crlaurence.com



SPECIALTY HARDWARE CATALOGS

CRL Specialty Catalogs

- Full Color Catalogs Showcasing Specific Product Lines
- Great for Customer Presentations
- The Latest Product Updates

CRL Specialty Catalogs are available for some of our major product lines. Each catalog is presented in full color, and contains descriptive and informative specifications that will assist your field sales and estimating staff in the selection of the right product to satisfy your customer's needs. We invite you to contact CRL Customer Service by phone, fax, mail or e-mail. You can order them separately, or add them to your regular product orders. You can also view them over the Internet, or download them when you visit our Catalog Library at crlaurence.com.



CRL is your source for the largest selection of Frameless Shower Door Hardware and Supplies. See it all, plus a gallery of finished installations, in this informative catalog.

ASK FOR CATALOG SD12



We fabricate an extensive selection of architectural metal systems and related hardware for the construction of beautiful and code-compliant building facades.

ASK FOR CATALOG AM09



CRL offers the largest selection of Architectural Railing Systems. See them all, plus beautiful photographs of finished installations, in our Railing Systems Catalog.

ASK FOR CATALOG HR11



Our Architectural Hardware Catalog features our expanded selection of architectural metal and glass hardware for construction of the 'all-glass' entrances in commercial office buildings and storefronts. There are photos of finished projects, as well as helpful technical data to help you create your designs.

ASK FOR CATALOG AH11



We've expanded our selection of architectural metal and glass hardware for the construction of entrances in commercial, retail, and residential buildings. Over 400 pages of color photos of finished projects, as well as helpful technical data.

ASK FOR CATALOG CRL14D



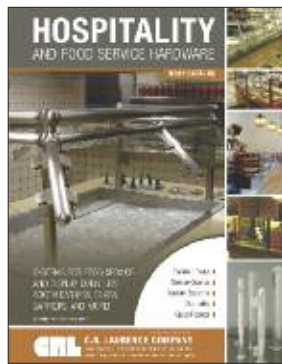
Our line of Door Closers and related Door Control Hardware can be found in this full color catalog. Specifications and ordering information make it easy for you to select the right product every time.

ASK FOR CATALOG DC14



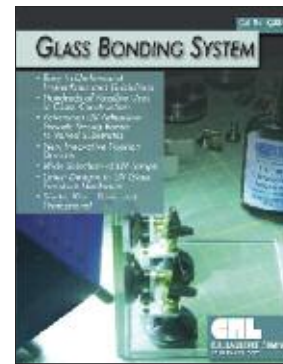
See the latest in top quality Transaction Hardware and bullet resistant exchange products, beautifully illustrated with specifications and installation photographs.

ASK FOR CATALOG TH10



Your source for the largest supply of stock and custom products for the Hospitality and Food Service Markets. See it all with beautiful photographs in this informative catalog.

ASK FOR CATALOG HS12



See the latest in UV Glass Bonding tools and accessories including UV Adhesives, Fixation Devices, Curing Lamps, and Unique Hardware. Loaded with full color photos and technical data.

ASK FOR CATALOG GB10



A complete family of Standoff related products. From our standard line of Round and Square Standoffs, to Custom Standoffs, Cap Assemblies, Tube Style Standoffs, Edge Grips, Slot Mount Standoffs, Accent Rings, Swivel Fittings, Framepegs, and Mounting Hardware, CRL has everything you will need to create innovative designs.

ASK FOR CATALOG SC12



Our Truck and Van Accents Catalog details the CRL automotive product line of quality truck sliders, sunroofs, van windows, and other automotive accessories.

ASK FOR CATALOG TV12A

CRL MANUFACTURING



Los Angeles, California Headquarters of CRL Manufacturing

CRL Manufacturing

- Making Quality Products for Over 50 Years
- User of Progressive ISO9001:2008 Manufacturing Processes
- Mechanical and Technical Expertise Available to Assist Your Manufacturing Processes



VIDEO



Manufacturing Video Online

Go to the home page of crl-arch.com and click on Project Gallery, then Video Library. From there you can select a five-minute video presentation detailing CRL's product line and manufacturing capabilities.

You may know C.R. Laurence Company as the world's largest distributor of supplies to the glass industry. What you may not know is that we are also a manufacturer of over 10,000 products found in our Online Catalog. We make some of the best products available to customers worldwide. Our people use progressive ISO9001:2008 manufacturing processes to make products for the Glazing, Screen, Architectural, Railing, Construction, Industrial, and Automotive industries. These certified processes ensure that we give every product our full attention to detail.

Using strict manufacturing standards we produce the kind of quality products that has kept us at the head of this field for many years. That's your assurance that when you select a product made by CRL Manufacturing, you have made the best possible choice.

We're always looking for ways to make our products better, and along the way we've added experts from different fields to our staff of designers, engineers, and craftspeople. Our goal is to make our products a better value to you, whether it's time or labor savings, extended service life, increased versatility, or enhanced visual appeal.

Many of our products incorporate industry "firsts"; features offered by no other manufacturer because we feel that no product or process is so good that it can't be improved. We strive to make products of high quality and value. That's the goal we set for ourselves at the onset, and it's still our guiding influence. Some of the improvements we've made have originated from people who have used our products and generously contributed their opinions and suggestions. We welcome your comments, and invite you to contact us at any time regarding a C.R. Laurence product.

Expansion of our manufacturing capability has brought our total manufacturing floor space in California to roughly 650,000 square feet. CRL now has almost 1 million square feet of distribution and manufacturing capability in the local area to better serve our customers. We also have a 90,000 square foot machinery facility in Cicero, Illinois, and a facility in Melbourne, Australia for the manufacture of our Vacuum Lifters. It's all part of CRL's commitment to provide good quality products with short lead times to the industries we serve.



Manufacturers of Quality Vacuum Lifters in our State-of-the-Art Facility in Melbourne, Australia



C.R. LAURENCE COMPANY

crlaurence.com | usalum.com

XXX | crlaurence.ca crlaurence.com.au crlaurence.co.uk crlaurence.de crlaurence.eu

CRL's Precision Design and Engineering is the Key to Quality



• CRL is ISO9001:2008 Certified

It all starts with ISO9001:2008 certification. We produce over 7,000 items for the industries we serve in our ISO9001 Certified manufacturing facilities. Our adherence to the strictest of standards reflects the commitment of our employees to provide the highest quality products.

• Innovation Makes Us a Leader

C.R. Laurence Manufacturing has provided new and innovative products for over 50 years. We know we can't just sit still, because if we do, others will pass us by, and that's not what being a leader is all about.

Many CRL manufactured products incorporate features offered by no one else because we feel that no product is so good that it can't be improved.



• Award Winning Designs and Products

Just because we say our products are all top quality doesn't make it so. However, when those recognized as setting the standards for quality say we make the best, then that really means something. C.R. Laurence Manufacturing has earned some very prestigious awards for manufacturing excellence by organizations that set the standards for quality.



• CRL Rapid Customization Program for Short Lead Times

The goal of CRL's Rapid Customization Program is to achieve the shortest possible lead time on all CRL Manufactured Products, from sketch to quote to fabrication to delivery. This is done several ways, and an important factor is keeping the entire process "in-house". Allowing CRL Manufacturing to control such processes as drafting, modeling, raw material procurement, cutting optimization, high-speed fabrication, finishing, powder coating, batch painting, packaging, and shipping makes for efficient and speedy delivery of products to you.



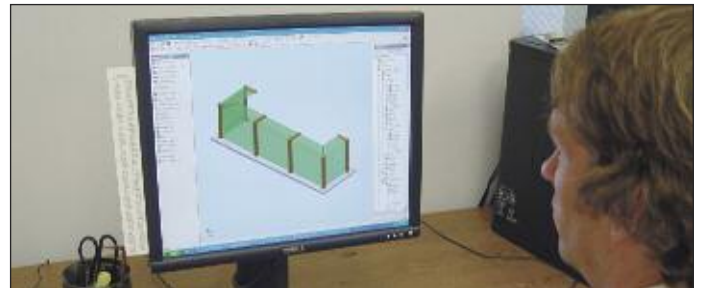
• Engineers Available for Product Development, Testing, and Production Support

CRL's Engineering Department works with you to review designs and job plans to address feasibility, safety concerns, and possible alternate solutions in order to prepare a fair and accurate per unit or per job quote for our manufacturing services.



• Experienced, Knowledgeable Team Dedicated From Start to Finish

Our staff has decades of experience in the various stages of manufacturing. Our people draw upon their resources to find innovation and efficiency in our manufacturing processes, allowing us to build top quality products at prices that are always competitive. From the procurement of raw materials to final shipment of finished goods, it's our experience that makes the difference.



• State-of-the-Art Computers and Software

CRL's trained staff uses up-to-date programs including Auto CAD, Auto Desk Inventor, and ANSYS Workbench to provide the best designs to send to our manufacturing plant. This software and our engineers provide workable, modern designs that can be simulated on our computers, saving you time and money down the road.

Do You Have a New Product That Could be Made by CRL? Need Help With a Current Product? Contact Us



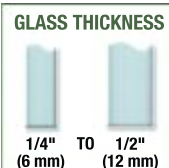









We welcome the opportunity to serve you, and are committed to providing your business with the services that produce quality products. To discuss the possibility of working with CRL Manufacturing we invite you to contact CRL Technical Sales at (800) 421-6144 in the U.S., (877) 421-6144 from Canada, or (323) 588-1281 International. Ask for Ext. 7520. To send e-mail go to crlaurence.com, click on Contact Us, and then click on Product Management.

ACKNOWLEDGEMENTS

C.R. Laurence Company, in partnership with many of the finest glass and mirror businesses worldwide, is proud to present this catalog to our customers. We thank these companies for allowing us to showcase their beautiful shower installations in our book.

aFORDable Glass180J	C&Z Glass135J, 142J	LG Shower & Mirror Inc332J (bottom), 347J (top)
AGI Shower Door & Mirror156J, 167J	Diamond Dimensions	Los Gatos Glass143J (bottom right), 272J, 281J, 310J (right)
Aladdin Glass440J484J (both on bottom), 486J (top right)	Marin Glass275J (bottom right)
Al's Quality Shower Door	Dimensions in Glass138J (bottom left)	Martin Shower Door214J, 346J
.....115J (top right and bottom left),	E&T Glass106J (top right), 136J (top), 174J	Midwest Glass & Mirror113J (bottom right),
.....196J, 275J (bottom left)	Elite Glass and Mirror128J218J (both on bottom), 221J, 264J (bottom right)
American Frameless179J, 213J, 277J, 292J,	Larry Gautreau Co122J (right), 143J (bottom left),	Mirrors and More, Inc166J, 201J, 209J
.....330J, 331J (bottom right), 340J (top left), 342J153J (top right), 336J (bottom left), 338J	New England Shower Door319J
Architectural Glass Craft182J (bottom left), 199J	Gemini Shower Door182J (bottom right)	New York Shower Door211J
Arizona Shower Doors ..331J (bottom left), 332J (top)	Giroux Glass, Inc164J (bottom right)	Ply-Mart, Inc170J
Associated Glass Constructors147J	Glass-Smith Shop136J (bottom), 186J	Reid Glass125J, 151J (bottom left), 163J, 172J
Bel-Pre Glass Works205J	Hartung Glass Industries484J (top right)	Shower Doors Unlimited118J
Canceleria Total S.A. DE C.V.117J, 130J,	HBS, Inc326J	Silesia Glass190J
.....168J, 182J (top right), 243J, 254J, 258J, 304J	Dan Hope197J (top right)	Sommerset Glass122J (left)
CB Showers104J (bottom right),	Icon Studios188J, 193J, 197J (top left)	Taylor's Custom131J, 134J, 306J (bottom middle)
.....113J, 120J, 145J, 203J, 306J	Interior Glass Specialties138J (bottom right),	The Glass Guys164J (bottom left)
Chattahoochee Glass and Shower Door141J, 150J, 178J, 230J, 241J, 249J,	Total Glass Shelving Inc301J
.....302J, 308J, 310J (left)	264J (bottom left), 486J (top right), 474J, 520J (top)	Wilbur Enterprises115J (top left), 282J
Clearview Glass & Mirror	G. Lee Sales195J	
.....158J, 306J (bottom right), 486J (bottom left)		

Look for These Icons Throughout the Catalog

 <p>This product made in the U.S.A. by CRL Manufacturing</p>	 <p>Specifies warranty period for the product</p>	 <p>Specifies range of glass thicknesses that can be used with the product</p>	 <p>This product should only be used with tempered glass</p>
 <p>Product is newly introduced in this catalog, or existing product now available in new finishes</p>	 <p>Indicates product complies with European Conformity</p>	 <p>Video available online at crlaurence.com</p>	 <p>Tempered glass is recommended for use with this product</p>
 <p>Material Safety Data Sheet available online at crlaurence.com</p>	 <p>Specification Data Sheet available online at crlaurence.com</p>	 <p>Product may not be shipped via an air carrier</p>	 <p>Product comes with a tempered glass component</p>



1

Shower Door Hinges

- TOP AND BOTTOM PIVOT MOUNT
- GLASS-TO-GLASS PIVOT MOUNT
- NOTCH-FREE PIVOT MOUNT
- WALL MOUNT FULL BACK PLATE
- WALL MOUNT OFFSET BACK PLATE
- ADJUSTABLE WALL MOUNT
- 180 DEGREE GLASS-TO-GLASS
- 135 DEGREE GLASS-TO-GLASS
- 90 DEGREE GLASS-TO-GLASS
- ADJUSTABLE GLASS-TO-GLASS

See other side for Section Index.

CRL
US ALUMINUM
crlaurence.com • usalum.com

SECTION 1 INDEX

For a complete index to this catalog, turn to Section 5. To search for all CRL products, go to CRL Total Search at crlaurence.com.

A

Adjustable	
Cologne Series Hinges	163J-164J
Geneva Series Hinges	142J-144J
Grande Series Hinges	190J-191J
Pinnacle Series Hinges	150J-152J
Prima Series Pivot Hinges	119J
Regal Series Hinges	180J-181J
Vienna Series Hinges	158J-159J
All-Glass Door Hinges	176J-177J
Applications for Pivot Hinges	116J
Arctic Series Hinges	179J
Atlas Series Hinges	176J
Automatic Closing All-Glass Door Hinge	176J-177J

B

Back Plate Screws	225J
Back Plates for Hinges	219J-222J
Base Plate Replacements	223J
Berlin Series Hinges	211J-212J
Bi-Fold Hinges	183J-184J
Biloba Series Hinges	177J
Bottom Pivot Hinges	117J-119J, 124J-135J

C

Cardiff Series Hinges	128J-130J
Cardiff Series Replacement Plates	223J
Cathedral Series Hinges	174J-175J
Classique Series Hinges	186J-187J
Clear Gaskets for Hinges	225J
Cologne Series Hinges	160J-164J
Cologne Series Replacement Plates	222J
Cologne Series Watertight Cover Plates	218J
Color Chips of Hardware Finishes	114J
Common Installation Problems	110J
Concord Series Hinge Gaskets	225J
Concord Series Hinges	170J-171J
Concord Series Replacement Plates	222J
Cover Plate Screw Caps	224J
Cover Plate Screws	224J
Curved Glass Design	106J
Custom Manufacturing Services	104J

D

Designing a Frameless Shower	108J
Designing With Curved Glass	106J
Drip Plate Bottom Mount Pivot Hinges	119J

E

Elite Series Hinges	167J
Estate Series Hinges	172J-173J
Estate Series Replacement Plates	222J
EZ-Adjust Top Mount Pivot Hinges	120J, 126J

F

Finish Display and Color Chips	114J
Folding Flyer, Shower Door	101J
Frameless	
'All-Glass' Restroom Partition System	226J-228J
Hinge KD Door Kits	214J
Shower Door Catalogs and Guides	101J
Shower Door Checklist	108J

G

Gaskets for Hinges	225J
Geneva	
Privacy Locks	227J
Hinge Gaskets	225J
Jamb Mounted Hinge Kits	215J
Series Hinges	137J-144J
Series Replacement Plates	219J
Watertight Cover Plates	217J
Glass Sizing Program	102J-103J
Glass-to-Glass Hinges	122J-124J, 126J-127J, 129J, 133J-135J, 139J-140J, 144J, 147J-148J, 152J, 156J-157J, 159J, 162J, 166J, 169J, 171J, 173J, 175J, 178J-179J, 181J, 183J-185J, 187J, 189J, 195J-196J, 198J, 200J, 203J-204J, 207J-208J, 210J, 212J
Grande Series Hinges	188J-190J
Guidelines for Hinge Locations	109J

H

Half-Round Light Duty Shower Door Hinges	213J
Hardware Finish Display	114J
Hinge and Handle/Knob Sets	165J

Hinge	
Back Plates	219J-222J
Gaskets	225J
Jamb Assembly With Hinges	215J
Location Guidelines	109J
Pin Wrench	225J
Replacement Plates	219J-223J
Screws	224J-225J
Selection Information	112J-113J

Hinges	
Arctic Series	179J
Atlas Series	176J
Berlin Series	211J-212J
Biloba Series	177J
Cardiff Series	128J-130J
Cathedral Series	174J-175J
Classique Series	186J-187J
Cologne Series	160J-162J
Concord Series	170J-171J
Elite Series	167J
Estate Series	172J-173J
Geneva Series	136J-144J
Glass-to-Glass Pivot	122J-124J, 126J-127J, 129J, 133J-135J
Grande Series	188J-191J
Inline Panel Mount Pivot	122J-124J, 126J-127J, 129J, 134J-135J

Junior Cathedral Series	209J-210J
Junior Geneva Series	193J-196J
Junior Prima Series	127J
L-Bracket Wall Mount Pivot	121J, 134J-135J
Light Duty	213J
Madrid Series	131J-133J
Milano Series	199J-200J
Monaco Series	205J-208J
Offset Bracket Wall Mount Pivot	121J, 129J
Petite Series	201J-204J
Pinnacle Series	145J-152J
Prima Series	115J-124J
Regal Series	180J-181J
Riviera Series	192J
Roman Series	168J-169J
Rondo Series	134J
Senior Cardiff Series	130J
Senior Prima Series	125J-127J
Shell Series	135J
Sydney Series	178J
Trianon Series	197J-198J
Ultimate Series	166J
Vienna Series	153J-159J
Wall Mount Pivot	121J, 129J, 132J, 134J-135J
Zurich Series	182J-185J

I

Inline Panel Mount Pivot Hinges	123J-124J, 126J, 129J, 134J-135J
Installation Keys to Success	110J-111J
Internet Based Glass Sizing Program	102J-103J

J

Jamb Mounted Hinge Kits	215J
Junior	
Cathedral Series Hinges	209J-210J
Geneva Series Hinge Gaskets	225J
Geneva Series Hinges	193J-196J
Prima Series Hinges	127J

K

Keys to a Successful Installation	110J-111J
-----------------------------------	-----------

L

L-Bracket Wall Mount Pivot Hinges	121J, 134J-135J
Light Duty Frameless Shower Door Hinges	213J
Location Guidelines for Hinges	109J

M

Madrid Series Hinges	131J-133J
Milano Series Hinges	199J-200J
Monaco Series Hinges	205J-208J

N

Notch-Free Shower Door Hinge	131J-132J
------------------------------	-----------

O

Offset Bracket Wall Mount Pivot Hinges	121J, 129J
--	------------

Online Glass Sizing Program	102J-103J
Optional Pivot Pins	117J, 125J, 128J, 130J, 136J, 145J, 153J, 160J, 167J-168J, 174J, 193J, 195J, 197J, 209J, 211J

P

Petite Series Hinge Gaskets	225J
Petite Series Hinges	201J-204J
Phillips Screws for Hinges	224J-225J
Pinnacle	
Privacy Locks	227J
Hinge Gaskets	225J
Jamb Mounted Hinge Kits	215J
Series Hinges	145J-152J
Series Replacement Plates	220J
Watertight Cover Plates	217J
Pivot Hinges	115J-135J
Pivot Pin Wrench	225J
Pivot Pins	117J, 125J, 128J, 130J, 136J, 145J, 153J, 160J, 167J-168J, 174J, 193J, 195J, 197J, 209J, 211J
Pony Wall Mount Geneva Series Hinges	141J
Positive Close Hinges	155J-156J, 161J
Prima Series Hinge Gaskets	225J
Prima Series Hinges	115J-124J
Prima Series Replacement Plates	223J
Privacy Locks	227J
Proper Hinge Selection	112J-113J

R

Rear Cover Plate with Drip Rail	223J
Regal Series Hinges	180J-181J
Replacement Gaskets for Hinges	225J
Replacement Hardware for Hinges	216J-223J
Replacement Plates for Hinges	219J-223J
Restroom Partition System	226J-228J
Riviera Series Hinges	192J
Roman Series Hinges	168J-169J
Rondo Series Hinges	134J

S

Screw Caps	224J
Screws, Hinge Plate	224J-225J
Selecting the Proper Hinges	112J-113J
Self-Closing All-Glass Door Hinge	176J-177J
Senior Cardiff Series Hinges	130J
Senior Prima Series Hinge Gaskets	225J
Senior Prima Series Hinges	125J-127J
Shell Series Hinges	135J
Shower Door Flyer	101J
Shower Door Specialty Catalog	101J
Shower Door Template Guide	101J
Showers Online	102J-103J
Square Corner Light Duty Shower Door Hinges	213J
Sydney Series Hinges	178J

T

T Configuration Glass-to-Glass Hinges	140J
Template Guide	101J
Top Mount Pivot Hinges	117J-119J, 124J-127J, 134J-135J
Trianon Series Hinge Gaskets	225J
Trianon Series Hinges	197J-198J

U

Ultimate Series Hinges	166J
------------------------	------

V

Vienna	
Hinge Gaskets	225J
Jamb Mounted Hinge Kits	215J
Series Hinges	154J-159J
Series Replacement Plates	221J
Watertight Cover Plates	218J

W

Wall Mount Hinges	121J, 129J, 132J, 134J-135J, 137J-138J, 141J-143J, 145J-146J, 149J-150J, 154J-155J, 158J-161J, 163J, 166J-168J, 170J, 172J, 174J, 180J, 183J-184J, 186J, 188J, 190J, 193J-194J, 197J, 199J, 201J-202J, 205J-206J, 209J, 211J
Watertight Hinge Cover Plates	217J-218J
Wrench for Hinge Pins	225J

Z

Zurich Series Hinge Gaskets	225J
Zurich Series Hinges	183J-185J
Zurich Series Screw and Washer Accent Kits	185J

Resources for Your Business Expansion!

- Increase Your Niche in the Frameless Shower Door Market by Using the Tools We Offer

Frameless Shower Door Hardware Specialty Catalog

CRL offers Specialty Catalogs for those who are in the business. The full color Frameless Shower Door Hardware Catalog is ideal for companies specializing in the frameless shower door market. Complete with full color photographs of numerous completed frameless shower enclosures, it is the ideal catalog to sit down and share ideas with customers, designers, and architects. Complete specifications are given for the product line, along with charts detailing maximum capacity loads for our various hinges. The catalog is rounded out with a full line of accessory items such as Pull Handles, Towel Bars, Glass Clamps, U-Channels, Headers, Thresholds, Water Seals, Tapes, Tools, Sliding Systems and Installation Supplies.



Frameless Shower Door Guide

- A Comprehensive Reference Manual and Training Tool
- Covers Design and Proper Hardware Selection, Fabrication, and Glass Sizing
- Contains Installation Instructions and a Complete Set of Cut-Out Templates



CAT. NO. SDT21

Over 800 Pages to Add to Your Frameless Shower Door Library



Our Frameless Shower Door Guide is a comprehensive manual for constructing the modern frameless shower enclosure. The four sections contain all necessary information to prepare your glass for the installation of Shower Door Hinges, Glass Clamps, Towel Bars, Knobs, and other accessories. SDT21 is set up to take you from the design and planning stage, all the way through fabrication, glass sizing, and installation.

This guide contains all template information, and a number of sample diagrams and drawings to illustrate the many phases of frameless shower enclosures. Design considerations, avoiding potential installation problems, and many other tips will make this guide valuable to both the novice and the experienced installer. The SDT21 Guide from CRL is a vital piece of literature to add to your shower door publications.

Technical and Design Assistance by Our Dedicated Staff

Modern shower and bath enclosures start with an idea, or vision, of an elegant and functional bathing environment that will add beauty and value to a home. Transforming the idea to reality requires not only quality hardware, but a design or plan to integrate the new enclosure into the existing surroundings.

We offer help in two critical areas of shower enclosure construction. First, the design must be evaluated. Will it fit the existing area, or will extensive modifications be required? We can review your design plan to evaluate its suitability for the intended installation. Second, the hardware must be compatible with the intended glazing and layout. Recommendations as to which hinges and accessories will be compatible to a functional design will be offered. We will help you choose the hardware that brings out the very best in your design plans. All of this is part of our effort to bring you not only the best products, but also top level service to match. Ask for Shower Technical Sales at Ext. 7740 or e-mail us at showers@crlaurence.com.

Shower Door Folding Flyer

- 10 Page Flyer Can Be Used to Advertise That You Are in the Frameless Shower Door Business
- Perfect for Mailings and Trade Show Use
- Blank Space on Rear Cover Accommodates Your Company Logo



The Shower Door Folding Flyer is an attractive and inexpensive advertising tool. This 10 page flyer summarizes product groups, and displays photos showing the product and service offerings you can provide your customers. A blank space on the rear cover allows you to stamp your company logo. 50 Flyers per pack. Includes acrylic literature holder.

CAT. NO. FF4SD

CRL Showers Online

Web-Based Design, Glass Sizing, Quote, and Ordering Program

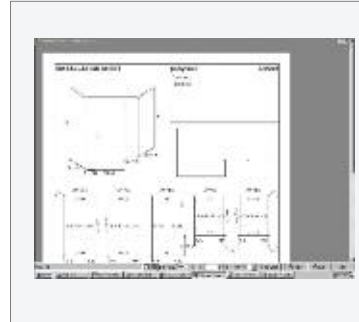
- Revolutionary Program Generates "Go" Glass Sizes From Your Field Measurements
- Web-Based So You Have 24 Hour Access
- Sizes for Shower Enclosures Can Be Completed in Just a Few Minutes
- Upon Completion of Data Entry, Simply Push the "Print" Icon to Generate Complete Glass Sizes and Their Templates
- You Have the Ability to Change the Default Deductions for Glass Sizing
- Continued Upgrades to Program Occur at No Extra Expense
- Recent Upgrades Include:
 - * Program Generates Completed Quotes and Allows Easy Conversion to Orders
 - * Quote Requests for Custom Items Can Be Generated
 - * Glass Sizes and Pricing for Cottage Series, Serenity Series, and Hydroslide Series Sliding Systems Can Be Done
 - * New 3D Color Images
 - * Branding Feature to Add Your Company Logo
 - * DXF Export Feature for CNC Fabrication Needs



Now, you no longer have to figure glass sizes by hand. Showers Online is a web-based design and glass sizing program that allows you to enter a list of products being used for a particular job, and the field measurements for the installation. Showers Online then calculates final glass sizes and displays detailed information, including hinge and handle locations, miters, and much more. The program is tailored to work with most any shower enclosure configuration. Users can select numerous default settings, hardware types, and clearances. A quote sheet can be assembled for a professional and personalized quote you can send to a prospective customer. Shower hardware specific for each enclosure can be ordered from Showers Online.

Showers Online is available only to CRL Authorized professional installers who first attend a mandatory Webinar. For additional information, contact CRL Technical Sales at (800) 421-6144 in the U.S., (877) 421-6144 from Canada, or (323) 588-1281 International and ask for Ext. 7740. You can also e-mail us through our web site at crlaurence.com. From the home page click on Contact Us, and then click on Technical Sales for Shower Products.

If CRL's Showers Online is not for you, our Technical Sales Department provides individual job glass sizes for nominal engineering fees. Contact our Technical Sales Department for your quote.



FREE 30 DAY TRIAL OFFER UPON COMPLETION OF INTRODUCTORY WEBINAR

(VISIT CRLAURENCE.COM AND CLICK ON NEWS AND EVENTS, THEN WEBINARS)

AVAILABLE IN IMPERIAL AND METRIC VERSIONS

Benefits of Using CRL's Showers Online

- Online Access Means Availability to the Program Anytime, Anywhere... From the Office, Shop or Field
- Sophisticated CAD Processing Takes Place on Our Web Servers, Almost Any Model of PC Can be Used for Access, Just Web Access is Required
- Accurately Calculates Correct Glass Sizes, and All Hardware Locations, Cut-Outs and Gaps
- Issues Warnings About Possible Problems With the Shower Design
- Builds a Library of Your Most Common Showers, Which You Can Use to Start a New Job by Copying From the Most Similar Design in the Library



CRL Showers Online

Web-Based Design, Glass Sizing, Quote, and Ordering Program

Information Center

Frameless Shower



Design, Estimating, and Ordering Program for CRL's Frameless Shower Door Hardware

Also Available in Spanish, French, German, Italian, and Dutch

NEW [Click Here](#) to learn how to increase shower door sales

1 Click on Desired Template

Design, Estimating, and Quoting Program

2 Add Finished Opening Sizes

CAT. NO. SES1 (License Fee)
CAT. NO. SESM (Monthly Fee)

Request a FREE TRIAL

3 Select Hardware

Latest Program UPDATES

Showers Online START

Showers Online Metric START

4 Print Out Completed Installation Sheets

- 1** Choose the shower enclosure design that best matches the configuration of the unit you will be doing. There are more than 200 "templates" of shower enclosures from which to choose. Once you select the design, click on it to load it on to your screen. **NOTE:** Custom configurations that are not included in the over 200 design choices can be generated independently.
- 2** Enter the finished opening sizes from your field measurements. Remember just how critical these measurements are. The pre-programmed deductions will be taken from your field measurements. As they say, measure twice so you only have to cut once.
- 3** Select the C.R. Laurence Frameless Shower Door Hardware that you have chosen for the project.
- 4** Once all the products required for the shower enclosure have been determined, simply press the "Save" button. The glass sizes will be completed, along with individual panel details. It's that easy.

CRL Custom Services and Capabilities

The face of CRL has changed since the inception of our Frameless Shower Door Hardware program over 20 years ago. As an early leader in the market, we were the first to develop many popular stock products used everyday for the installation of the modern frameless shower enclosure. Continuing in a leadership role, C.R. Laurence Company has expanded its capabilities and built over 1,000,000 square feet of manufacturing facilities to add to the strength of our already strong worldwide purchasing power. The result is positive for you – the customer.

While we continue to stock unprecedented inventory of stock items for daily use, we also realize not every job is the same. The imagination of architects, designers, and homeowners creates an opportunity to create the most elegant, yet safe enclosure ever seen. This is where custom products are needed, and CRL can manufacture them to exact specifications.

The "C" in CRL Could Very Well Stand for CUSTOM



Engineering



Cutting



Machining



Bending



Painting



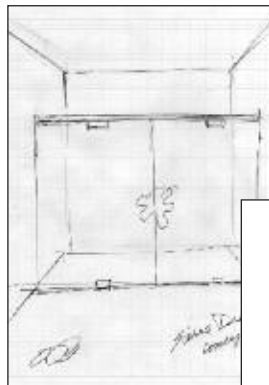
Assembly

Feel free to send us your drawings and requirement for custom products. Whether it is for Pull Handles, Towel Bars, Clamps, Hinges, Extrusions, or any other shower related accessory, CRL's Technical Sales Department will review your information and provide you a timely quotation. A few items may be based on order minimums due to design, while most items are usually available for as few a quantity as one each. Custom finishes are also available. Although CRL stocks over 20 popular finishes for many of our standard shower door hardware items, custom finishes may be required by your customer and we are pleased to oblige.

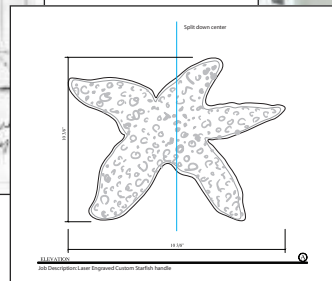
Custom Services We Want You To Know CRL For ...

CRL's capabilities encompass almost every phase of the manufacturing process, from the early stages of design, all the way through to packaging and shipment. We can supply such services as:

- Design
- Engineering
- Cutting
- Milling
- Machining
- Bending
- Welding
- Assembly
- Plating
- Polishing
- Finishing
- Powder Coating
- Cleaning
- Packaging
- Shipping



Imagination



Design



Reality

CRL New Products

Blending Your Ideas and CRL's Resources

- The Ideas You Get From Your Everyday Experience Can Be Brought to Fruition With the Help of CRL
- New Product Submittal Forms are Available to Help You Document Your Latest Ideas
- Correspondence is Confidentially Handled for Your Protection

Pushing the Design Envelope – CRL Customers Know Best!

Over the years we have found that our customers are the best source for design innovation of both hardware products and the tools used to install them.

Product ideas range from new styles of products, to gauges and jigs enabling more efficient and cost effective installation.



C.R. Laurence Listens

CRL invites and encourages our customers to contact us with any ideas they may have regarding the entire product line. All ideas are taken seriously.

Ideas range from new products and tools, to added features for existing products, such as new size and finish options. Many innovative ideas include the design improvements of existing products.



How to Reach Us

Your ideas can be forwarded to CRL in many ways. We always appreciate it when our customers take the time to contact us with ideas to improve the ways we can serve you and your industry.



In Person: Come into any of our CRL Service Centers and talk to one of our representatives.



By Fax: Fax in your ideas to our Product Management Department at (323) 584-5228.



Online: E-mail your ideas via our web site. Details are available at crlaurence.com

new

LOOK FOR THE NEW ICON THROUGHOUT THIS CATALOG TO SEE THE PRODUCTS DEVELOPED FROM INNOVATIVE IDEAS

NEW PRODUCT SUBMITTAL FORM

C.R. Laurence Co., Inc.
 2000 West Imperial
 Los Angeles, CA 90064-1947
 Phone (323) 584-5228
 Fax (323) 584-5228

Name: _____
 Company Name: _____
 Street Address: _____
 City, State, Zip: _____
 Phone # () _____ Fax # () _____
 E-Mail: _____
 Are you a current customer of C.R. Laurence Co.? Yes _____ No _____
 Type of New Product: _____
 Benefits of Product: _____
 Is product patented? Yes _____ No _____
 Included with submit: _____
 _____ Other _____
 You would like C.R. Laurence Co. to: _____
 Buy and Distribute _____ Manufacture and Distribute _____ Other _____
 If C.R. Laurence Co. manufactures and distributes the product what type of compensation do you want?
 _____ Royalty _____ Buy Out _____ Other _____
 If you want C.R. Laurence Co. to sign a Confidentiality Agreement, please send one to the attention of Bill Gyles.
 Please mention account number to: Bill Gyles
C.R. Laurence Co., Inc.
 2000 West Imperial
 Los Angeles, CA 90064-1947
 FAX # (323) 584-5228

We protect your ideas on improving our products and service with strict confidentiality.

The most knowledgeable source for new product ideas, as well as better ways to install them, are our customers, who use the products on a daily basis.

Customer Service

Innovation is not limited to the products in our catalogs. C.R. Laurence is continually looking for ways to improve how we serve our customers.

Efficient and reliable interaction with our customers is the best way to ensure a productive and profitable relationship for all parties.

Curved Glass – The Next Wave in Frameless Shower Door Design

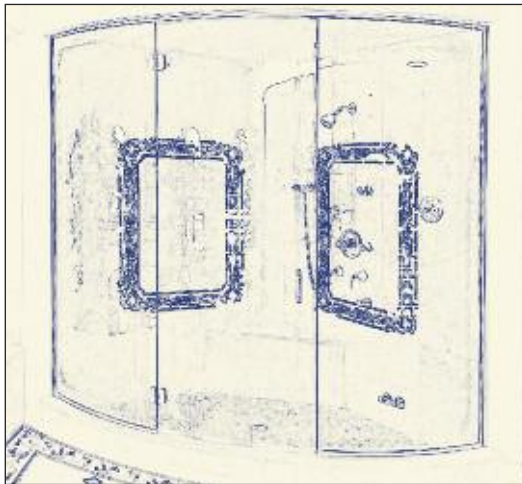
- Aesthetically Pleasing Contour of Curved Glass is the Signature of Today's Modern Bathroom
- Clean in Design and Elegant in Appearance
- Ergonomically Designed Curved Shower Can Provide Additional Space Inside Enclosure
- CRL has the Hardware to Complete Your Design

A Practical Design Alternative – *Setting the Trends*

Over the past two decades C.R. Laurence has continually set the standard in product design and innovation. In keeping with this, C.R. Laurence offers an extensive line of products for use in curved glass design. **NOTE:** CRL does not offer curved glass, only the hardware and design assistance to use it.

As homeowners are making a greater investment in their homes, bathroom design has become a higher priority, in terms of functionality and upscale amenities.

Curved glass has always been considered too expensive for most budgets. Although available at a premium, curved glass enclosures are becoming increasingly affordable.



As glass retailers and glaziers become more familiar and comfortable with curved glass systems, more products and design possibilities will become available in this untapped North American market. This trend has already captured a third of the mid-priced to high-end design market in Europe.

Curved Glass Advantages - *Educating the Industry*

Curved Glass offers elegant frameless design, with minimal support hardware.

Curved Glass enclosures are as easy to install as traditional flat glass enclosures.

Curved Glass shower enclosures offer added interior space due to the curved door design, an asset in layouts where space is limited.

Curved Glass installations may require some special tools, such as a self-leveling laser. Extra care should be taken in the design and layout to ensure proper fit.

Curved Glass enclosures offer an alternative to the traditional "Neo-Angle" shower enclosure at a competitive cost.

Setting aside the myths regarding curved glass enclosures, including the high cost and the high expense of sizing mistakes, opens up a vast array of design possibilities. Other misconceptions include lack of product availability, as well as the lack of adjustment available on out of square installations. Getting past these issues will open you up to the profits that can be yours when you offer your customers beautiful curved glass enclosures.



Hardware Availability

Zurich Hinges are the most suitable for use with curved glass. They offer the most design flexibility, including "bi-fold" door options, while offering secure installation. They are available for wall mount and glass-to-glass mount applications.

Geneva Hinges are a viable option as well, offering similar design flexibility. The most popular hinge series comes in over 20 beautiful finishes.

Glass Clamps are a suggested option for securing curved fixed glass panels. CRL's complete line of Glass Clamps is available to accentuate the 'all-glass' look.

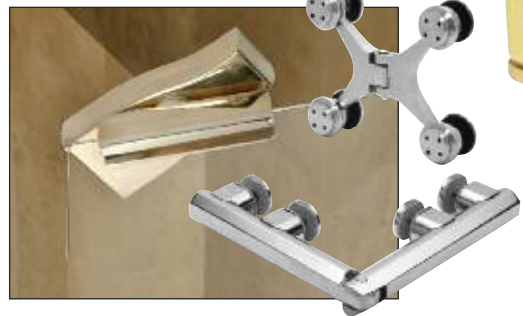


Quality is What Sets CRL Apart!

- Quality – Always Sought But Not Always Easy to Attain
- Make Sure You Know the Difference Between Quality C.R. Laurence Frameless Shower Door Hardware and All Others

Ever hear someone say "It gets me where I want to go" about their automobile? Undoubtedly that is true, but if they could upgrade at a reasonable cost and own something that was more durable, nicer looking, and gave them that all important feel of "value", then they would most certainly jump at the chance.

CRL Frameless Shower Door Hardware is designed with this in mind, where it allows the user choices of economical design opportunities right up to the highest grade of hardware available. Your determination of value is important, and it is equally important for us to provide you with choices.



It's What's Inside That Counts . . .



The highest quality internal parts, combined with beautiful finishes, provide the finishing touch to today's modern frameless shower door

Quality Materials: - Forged brass or stainless steel Hinges, along with all stainless steel moving parts, assure durability and performance in water environments. Many lesser grade Hinges are made of cast or plated metals, resulting in short term performance but not the life expectancy and value provided by CRL. For accessory items such as Pull Handles and Towel Bars, choices of solid brass or heavy walled tubular brass provide the user with design and function options. Our solid brass Glass Clamps, aluminum Channels, as well as many fungus resistant Water Seals, complete a product line designed to allow the combination of aesthetics and installation durability.

Quality Finishes: - Time tested plated and powder coat finishes in up to over 20 choices allow the user to match most any modern shower décor. CRL is constantly researching and evaluating the latest plumbing and bathroom fixtures to keep you apprised of what the latest trends are. It is always important to note that if you do not see the item you like in a particular finish, CRL can provide you a quote to have the product done as a custom order. Our in-house powdercoating facility, along with plating and other manufacturing capabilities, makes us the company who hates to say no to any requirement you might have.

Hinge Mounting Options: - While the early days of traditional side mounted style Wall Mount and Glass-to-Glass Hinges will always be popular, recent years have led to new CRL innovations, such as our Prima Series Top and Bottom Mount Styles, as well as our first "Notchless" Hinge with the Madrid Series. Architects, designers, and homeowners can virtually let their imaginations be their only limitation with the offering of models and designs to suit numerous modern day frameless shower configurations.

Hinge Feature: CRL Hinges come packed standard with Phillips Screws installed in the hinge plates. An optional pack of Allen Screws is also included in each box for customer preference. In addition, replacement screw packs are offered for both Phillips and Allen styles (see page 224J).

CE Marking: - As you go through our 23R Catalog, you will note that many C.R. Laurence Shower Door Hinges are displayed with the CE Icon.

CE Marking (also known as CE Mark) is a mandatory conformance mark on many products placed on the market in the European Economic Area (EEA). The letters "CE" stand for "Conformité Européenne" ("European Conformity").

The CE marking is a key indicator of a product's compliance with EU legislation, and enables the free movement of products within the European market. By affixing the CE marking to a product, a manufacturer is declaring conformity with all of the legal requirements to achieve the CE marking. This marking ensures the validity of the product to be sold throughout the European Economic Area.

Where Do You Start in Designing and Installing a Frameless Shower Enclosure?

Each frameless shower enclosure you complete is a project and a process. The ability to not overlook details in the designing, planning, ordering, and installing phases can make the difference between a profitable job well done, or another lesson learned. The information shown on this page is intended to help you develop plans and use checklists to make sure your project proceeds smoothly.



How a Frameless Shower Enclosure Evolves...

1. Planning the configuration and design of the enclosure.
2. Reviewing design considerations that will lead to both a beautiful and safe enclosure.
3. Selection of hardware and finish, ensuring that all safety specifications are observed when choosing the proper hinges.
4. Transferring the design to paper:
 - a. Properly measuring the enclosure.
 - b. Understanding center-line measurements and imaginary lines.
 - c. Using the correct line values and symbols on the drawing.
5. Calculating glass sizes and locations of cut-outs, holes, etc.
 - a. Calculations based on the hardware, seal and wipes, and other accessories used.
 - b. Figuring cut-out, hole and notch locations.
 - c. Specifying which edges of the glass are flat polished and mitered.
 - d. Location of the temperer's logo.
 - e. Transferring the above to a drawing showing line values and symbols denoting dimensions, outages, etc.
 - f. Supplying appropriate templates to accompany your completed drawing.
6. Purchasing selected hardware to arrive in time for installation.
7. Reviewing installation procedures appropriate to your specific job.
8. Being sure to have all required installation accessories, Such as anchors, shims, screws, sealants, and tools. It is a good idea to carry a wide variety of wipes and seals. If clearances change or job site conditions dictate, you will be prepared.



Frameless Shower Door Checklist

Checklist: (mark each box or fill in each blank where applicable)

Glass Thickness: 1/4" (6 mm) 5/16" (8 mm) 3/8" (10 mm) 1/2" (12 mm)

Hardware Finish: _____

Hinge Type: Wall Mounted Glass-to-Glass
 Top and Bottom Pivot _____ Degrees

Desired Door Width: _____

Configuration: Floor to Ceiling Header on Top
 Floating Top

Fixed Panel Securing: Regular U-Channel Glass Clamps
 Deep U-Channel

Door to Swing: In and Out Out Only

Wipes and Seals: Yes No

Corner Joint: Mitered Overlapped

Pony Wall or Step: Yes No

Notes: _____



REMEMBER A GOOD INSTALLATION REQUIRES:

- * Measuring properly
- * Identifying ins and outs from plumb or level
- * Following manufacturer's specifications and guidelines
- * Calculating proper glass deductions and providing correct cut-out details
- * Doing a safe installation

The checklist to the left was designed to assist you in covering the many details required to complete a frameless shower enclosure. By marking the boxes or filling in the appropriate blanks that apply to your enclosure, it will help you not overlook design considerations pertaining to your project. Use this checklist to then develop your hardware order, making sure you are choosing hinges that will work with your particular glass thickness. Make copies so you can do this with all your jobs.

CRL Hinge Location Guidelines

Wall Mount and Glass-to-Glass Hinges

C.R. Laurence recommends a distance of 8" (203 mm) to the center of the cut-out, for both the top and bottom hinges on two-hinge doors. If a third hinge is used, it should be centered between the top and bottom hinges. To be perfectly symmetrical within the opening you are working with, you can deduct the clearance gap from the 8" (203 mm) distance, and use the remainder as the distance to the center of the cut-out [i.e., clearance gap at the bottom of the door is 7/16" (11 mm), thus the distance to the center of the cut-out is 7-9/16" (192 mm)]. For glass-to-glass installations consideration must be given to different clearance gaps for both the door and the fixed panel [i.e., clearance gap under the door is 7/16" (11 mm), so the distance to the center of the cut-out is 7-9/16" (192 mm); clearance gap under the fixed panel is 3/16" (5 mm), so the distance to the center of the cut-out is 7-13/16" (198 mm)].

Glass-to-Glass Hinge Applications

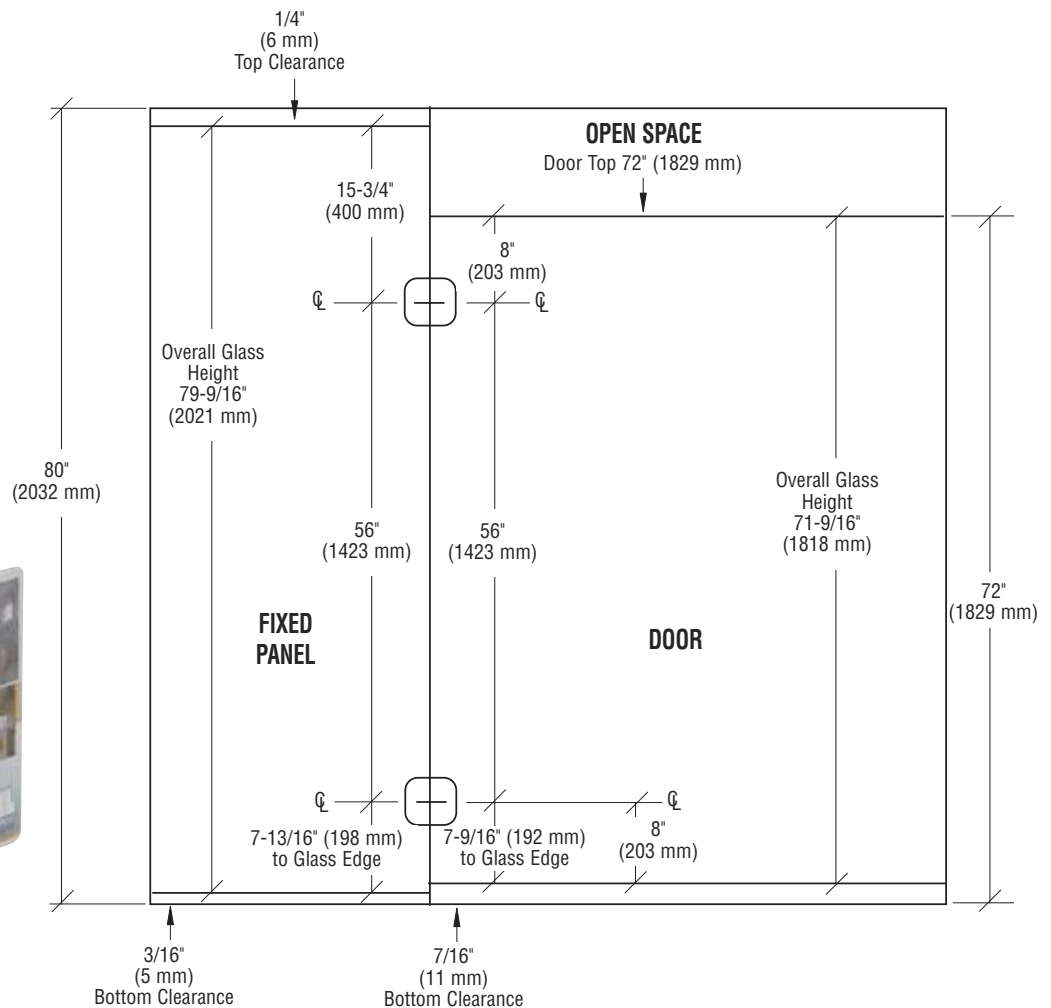
The dimension between the cut-outs on both the door and fixed panel must be identical. After final dimensions are calculated, double-check your work by adding the cut-out dimensions together to get the overall glass height.

Example of Matching Fixed Panel and Door Cut-Outs for Glass-to-Glass Hinges

This and many other helpful diagrams and templates are shown in our SDT21 Frameless Shower Door Guide. It's a comprehensive reference manual and training tool that covers design and proper hardware selection, fabrication, and glass sizing. For more information on this valuable tool, see page 101J.



CAT. NO. SDT21
Frameless Shower Door Guide



For Top and Bottom Pivot Hinge Installations (Prima, Junior Prima, Senior Prima, Cardiff, Senior Cardiff, Rondo, and Shell Series)

The Top or Bottom Mount and Glass-to-Glass styles (01 and 02 models) offer a choice of templates that allow you to edge mount the hinges at the top and bottom of the door, or actually inset the hinges toward the center of the door at any distance you desire. Wall Mount and Inline Panel Mount styles (03, 04, and 05 models) offer a template restricted to edge mounting only. Many customers prefer using the inset template for 01 and 02 models because it will allow a full edge of glass to run from top to bottom of the door, thus allowing a seal to run top to bottom. If using the inset template for the 01 or 02 models, we suggest a guideline of 2-5/8" (67 mm) where the template reads "Distance to Wall Varies". This leaves an approximately 1" (25 mm) strip of glass in the corners to apply a seal completely from top to bottom.

CRL Keys to a Successful Frameless Shower Installation

- Pre-Installation Design Considerations
- Common Installation Problems/Solutions
- Tools and Supplies Required for Installation
- Reviewing Installation Instructions

When you are in the initial stages of designing a frameless shower enclosure, it is important that you consider all the facets of the job. This includes potential problems that may arise, and any safety issues that you should be aware of.

It is interesting that in the many years we have taken phone calls from our shower door customers, we often hear customers say that they have a design problem that could have been prevented with better preparation.

We encourage you to review the information on these next two pages carefully (and many times) to assist you in completing the project in an efficient and safe manner, while maximizing your profit because of the sound decisions you have made in the planning stages.

PLEASE READ THESE IMPORTANT PRE-INSTALLATION TIPS

- **Don't Wait to Measure Your Glass at the Job Site.** Measure your glass dimensions, cut-outs and hole locations prior to leaving for the job. Check to see that the glass is not warped. This will prevent an unnecessary return trip to the job site.
- **Don't Install Warped Glass Panels.** Hoping that Glass Clamps and U-Channels will straighten out the warped panel will put undue tension on the panel, increasing the possibility of glass breakage.
- **Don't Install Hinges, Clamps, Handles or U-Channels** without proper cushioning gaskets. Metal-to-glass contact may cause the tempered glass to explode.
- **It is important to Use the Proper Lubricant if Oiling CRL Hinges.** CRL Hinges come lubricated, and should not require further lubrication. However, if needed, white lithium grease should be used on pre-installation applications. When lubricating pre-installed hinges 3 in 1 Oil should be used. Do not use WD40 or similar spray lubricants.
- **If You Use Vinyl Seals,** apply a light coat of petroleum jelly to the surfaces that come into contact with the wall or glass. This will prevent sticking or chattering, and allow smoother closing action of the door.

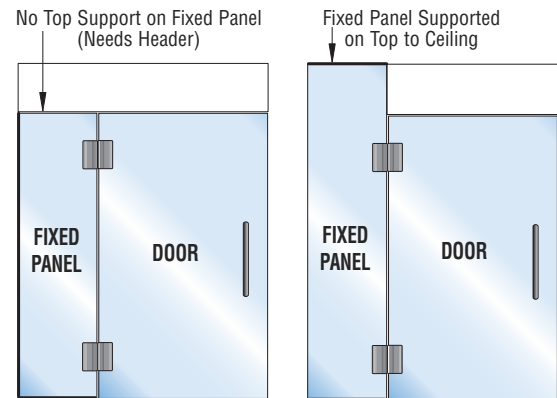
Common Installation Problems and Solutions

DO NOT HINGE A DOOR OFF OF A FIXED PANEL USING GLASS-TO-GLASS HINGES, IF THE FIXED PANEL IS NOT SUPPORTED AT THE TOP.

If a door is to be hinged off of a fixed panel using Glass-to-Glass Hinges, one of the following criteria must be met:

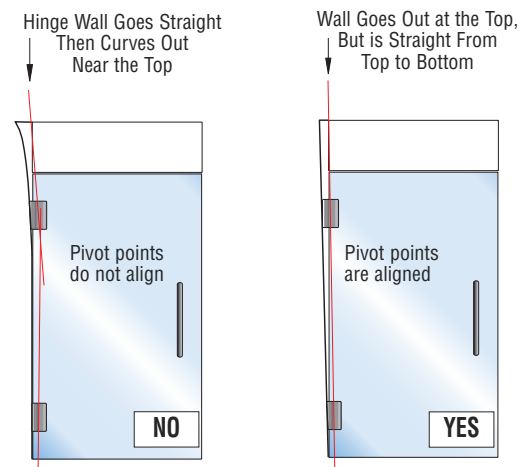
- The door must be hinged off a fixed panel that is secured at both the curb and the ceiling with either U-Channel or Glass Clamps.
- If the fixed panel does not go to the ceiling, the top of the panel must be secured with a Header System or a Support Bar.

If the design allows, using Wall Mount Hinges instead of Glass-to-Glass Hinges (to avoid swinging a door off of an unsupported fixed panel), is a good solution. A door swinging off of an unsupported fixed panel can cause the panel to wobble or flex, and be unsafe.



ALWAYS ADHERE TO MANUFACTURER'S SPECIFICATIONS CONCERNING BOTH WEIGHT AND DOOR WIDTH CAPACITIES WHEN DECIDING THE PROPER AMOUNT OF HINGES TO USE ON THE DOOR. It may be tempting to cut corners and save on hardware costs by stretching manufacturer's recommendations of hardware limitations. This is not a good business decision. Also, by no means should you ever put four CRL Hinges on a door. You will note that all of our recommended specifications address the use of two or three hinges.

WHEN USING WALL MOUNT HINGES, PUT A STRAIGHT EDGE ON THE WALL THAT THE HINGES WILL BE MOUNTED ON. Remember, the wall can be out of plumb, but it has to be straight. Hinges operate on a pivot point, and pivot points must align with one another. When the pivot points are not aligned, and are clamped to a heavy piece of glass that will not flex, the glass can slip when the door swings. By identifying this condition when measuring, you can avoid the problem by either using Top and Bottom Pivot Hinges (to avoid the wall completely), or plan on putting a shim plate behind the back plate of the hinge that is closest to the wall, pushing it out so that it aligns with the pivoting point of the other hinge/hinges.



CRL Keys to a Successful Frameless Shower Installation



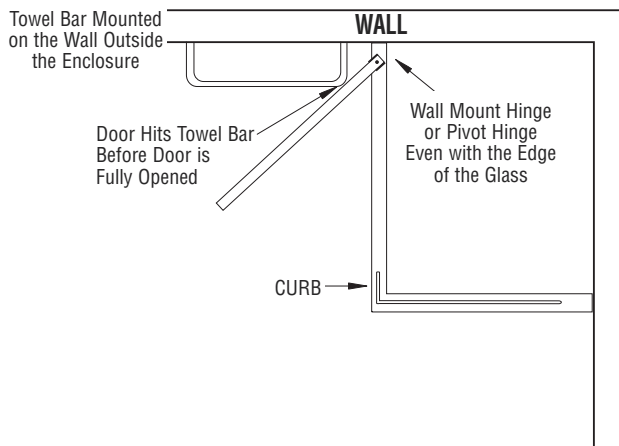
MAKE SURE THAT WHEN USING WALL MOUNT HINGES the wall has a wood stud behind it, or the surface substrate is strong/thick enough and secured sufficiently to accommodate proper screw anchors.

REVIEWING INSTALLATION APPLICATIONS

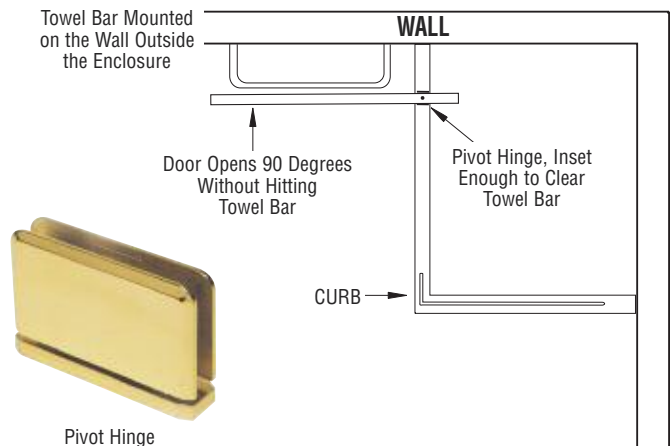
- **Applications Vary** depending on hinge type, use of U-Channel or Glass Clamps and Headers on the fixed panels.
- **Please Refer to the SDT21 Installation Guide** for specific installation details and recommendations pertaining to each type of Hinge, Glass Clamp, and U-Channel application.
- **If You Require More Detailed or Custom Assistance** please contact our experienced Shower Technical Sales Staff. They can assist you with all aspects of planning, design, fabrication, and installation.

WHEN USING WALL MOUNT HINGES, AND THE SAME WALL HAS A TOWEL BAR MOUNTED ON IT, design consideration must be given as to whether that Towel Bar will be struck by the door when it opens to a full 90 degrees. This situation can restrict access to the shower, and more importantly, with the glass hitting the Towel Bar, there is a chance of the door exploding. A possible solution is to use Top and Bottom Pivot Hinges, and inset the Hinges enough so that the pivot point projects far enough from the wall to clear the Towel Bar.

SITUATION: DOOR HITS THE TOWEL BAR BEFORE OPENING 90 DEGREES



SOLUTION: USE TOP AND BOTTOM PIVOT HINGES, INSET FROM THE EDGE OF THE GLASS FAR ENOUGH TO CLEAR THE TOWEL BAR



AN ALUMINUM SHOWER DOOR THRESHOLD SHOULD BE CONSIDERED WHEN A FLAT OR OUTSLOPING CURB CONDITION EXISTS UNDER THE DOOR. We offer Thresholds in stock lengths that can be adhered to the curb with silicone under the door. The rounded, low contour of the Threshold will not harm feet when entering or exiting the shower. The Threshold helps to act as a dam, and will assist in watershed back into the shower. A Bottom Wipe can work in conjunction when positioned above the Threshold. Attention should be given as to whether the slope of the floor causes an uneven clearance gap directly underneath the door. If so, we offer Double Fin Vinyl Wipes (Cat. Nos. SDTDF and SDTDF2) which offer two different leg lengths. Having the flexibility of the two fins allows you to deal with an uneven clearance gap. The Double Fin simply drags across the top of the Threshold to create a seal.

RECOMMENDED TOOLS AND SUPPLIES. The tools that can be used for installing frameless shower doors and enclosures are varied. There are some tools and supplies you must or should have, and some others that will make the installation process more efficient.

• TOOLS YOU MUST HAVE

Tape Measure, Bubble Vial Level, Cordless Drill, Rubber Mallet, #2 and #3 Phillips Screwdrivers, Single Edge Razor Blades and Holder, Hacksaw and Blades, Aluminum File

• TOOLS YOU SHOULD HAVE

Hammer Drill, Step Stool, 6-Foot Level, Soft Paint Brush, Allen Wrench Set, Various Files, Small Solid Wood Block, Plumb Bob, Caulking Gun, Countersink Set, Spring Clamps, Mitered Saw, Safety Gloves, Framing Square, 100 Foot Extension Cord, Flat Knife, Vacuum Cup, Diagonal Cutters

• TOOLS YOU COULD HAVE

2-Foot Level, Utility Knife, Automatic Center Punch, Pry Bar, Metal Snips, Needle Nose Pliers, Sander, Laser Leveling Tool, Shop Vac

• SUPPLIES YOU SHOULD HAVE

33SMRC or RTV408C Clear Silicone, BL991 Blue Joint Framing Tape, C5192 Duct Tape, 46712 Transfer Adhesive Tape, HR12X112 Plastic Screw Anchors, PSB040 and PSB125 Clear Plastic Setting Blocks, 316 and 416 Spearpoint Drill Bits, 3MD 3/16" and 4MD 1/4" Masonry Drill Bits, WS140 Tube Wax, NWS9 Tapered Wood Shims, various High-Speed Drill Bits, an assortment of Stainless Steel Screws, 1973 Glass Cleaner, BX15 Lint Free Paper Towels.

Have I Chosen the Proper Hinges for My Project?

It's a Good Question, and One of the Best Places to Start When First Beginning Your Designing and Planning Stages

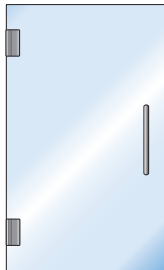


The question above considers numerous factors. Sometimes it is as simple as aesthetics. What "look" does the customer want? Other times, job site conditions dictate some creativity, or might limit you to a choice of hinges. A safe enclosure should be your primary concern. Make sure you adhere to the maximum capacities shown for each hinge in our catalog.

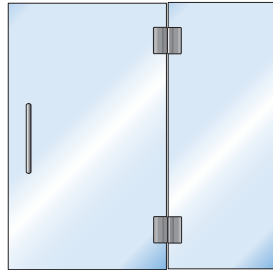
Shown below is information about the common mounting methods. Familiarize yourself with these layouts. Our Shower Technical Sales Staff can assist you in not only selecting the correct hinges, but also with the accessory and component items to put the finishing touches on the enclosure.

Standard Side Mounting Wall Mount and Glass-to-Glass Hinges

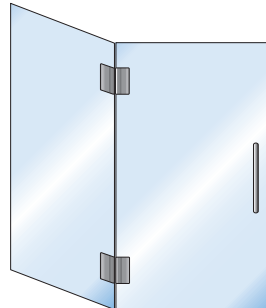
Shown below are typical applications for Wall Mount and Glass-to-Glass Hinges. These drawings are only a sampling, and can be used to assist in the design of your particular enclosure. It is not necessarily a case of right or wrong when selecting between a Wall Mount and Glass-to-Glass Hinge, it is most often a design choice. Sometimes the job site conditions will dictate where one is more proper than the other, but usually it is a certain look that is desired. Generally Wall Mount Hinge jobs are slightly less costly due not only to the cost of the hardware itself (when compared against Glass-to-Glass Hinges) but also savings in the glass cost by making fewer cut-outs. If you have a fixed panel of glass that does not go all the way to the ceiling, and your customer does not want a header, Wall Mount Hinges present a good option. This is because Glass-to-Glass Hinges swinging from a fixed panel not secured at the top and bottom is not recommended. Several of our Hinge Series contain a reversible 5 Degree Pivot Pin, as well as the option of a Custom Pivot Pin manufactured for use on "off-angle" installations. In the end, you will find that with the wide variety of choices available, C.R. Laurence will be able to provide the hardware for most any design.



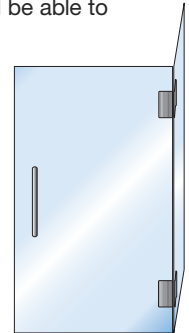
Wall Mount



180 Degree Glass-to-Glass



135 Degree Glass-to-Glass



90 Degree Glass-to-Glass

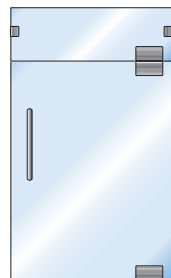
Top and Bottom Pivot Hinges

Top and Bottom Pivot Hinges (Prima, Rondo, Shell, Cardiff, Junior Prima, Senior Prima, and Senior Cardiff Series) are quickly becoming the choice of designers and installers for many reasons. There are advantages to the top and bottom mount models. They carry the majority of the weight on the bottom, and have the ability to be inset from the wall, enabling clearance for towels bars and other projections. Top and Bottom Pivot Hinges provide the answer to several common installation dilemmas. When a glass-to-glass installation is to be done, and the angle of installation does not fall into one of the common mounting degrees (90, 135, or 180), a Top and Bottom Pivot can be used. The Top and Bottom Pivot Hinge is also a good choice as an alternative to the combination of a Wall Mount Hinge positioned on a knee wall with a Glass-to-Glass Hinge above it.

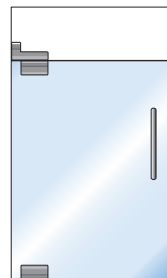
Top and Bottom Pivot Hinges provide more of the desired 'all-glass' look when compared to traditional hinges side mounted on the wall between the top and bottom of the enclosure. Top and Bottom Pivot Hinges are also easily adaptable with our Header Systems to provide an attractive and functional enclosure for units not going all the way to the ceiling. Optional 5 Degree Pivot Pins may be ordered for these hinges to alter the closing position of the door. All in all, the versatility of the Top and Bottom Pivot Hinge makes it the choice of many installers. These drawings illustrate some of the many applications for Top and Bottom Pivot Hinges.



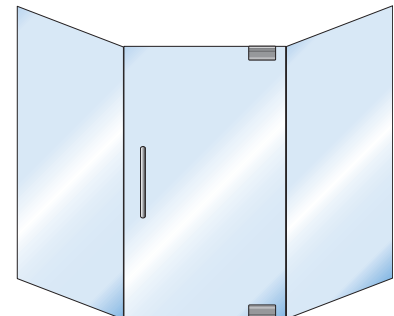
Top and Bottom Pivot for Standard Door (Floor to Ceiling)



Top and Bottom Pivot with Fixed Transom



Top and Bottom Pivot (Open space above door)



Top and Bottom Pivot in 135 Degree Glass-to-Glass Application (Can be done with or without Header)

CRL SELECTING THE PROPER HINGES

For Pricing Visit crlaurence.com or Call Us Toll Free at the Phone Numbers Shown on the Back Cover

Many CRL Shower Door Hinges Utilize the Same Glass Cut-Out GROUP 1



PRIMA



CARDIFF



RONDO



SHELL



Many CRL Hinges utilize the same cut-out in the tempered glass. This is by design by CRL, and good for you the customer. It not only allows you to present options to your customers when choosing the particular model of hinge for the job, but even allows an opportunity to go back later and re-install a different hinge in the same cut-out, should a customer make décor changes. This page shows you the different Hinge groupings which share the same glass cut-outs.

IMPORTANT: Make sure you use similar base catalog numbers when comparing glass cut-outs. For instance, GENEVA GEN037 and PINNACLE P1N037 have the same cut-out. However, GENEVA GEN074 and PINNACLE P1N037 DO NOT. So pay careful attention to the model numbers when comparing glass cut-outs. And, as always, contact our Shower Technical Sales Staff for clarification and assistance.



GROUP 2



GENEVA



PINNACLE



ROMAN



ULTIMATE

GROUP 3



VIENNA



COLOGNE

GROUP 4



CONCORD



ESTATE

GROUP 5



SENIOR PRIMA



SENIOR CARDIFF

GROUP 6



CLASSIQUE



PETITE



MONACO

CRL Finish Display and Color Chips

- Attractive Tri-Fold Display Fits Nicely Into a Notebook or Can be Hung in a Showroom Display
- The Perfect Tool for Matching Bathroom Décor
- Contains Over 20 Labeled Color Chips
- Individual Color Chips Available Separately

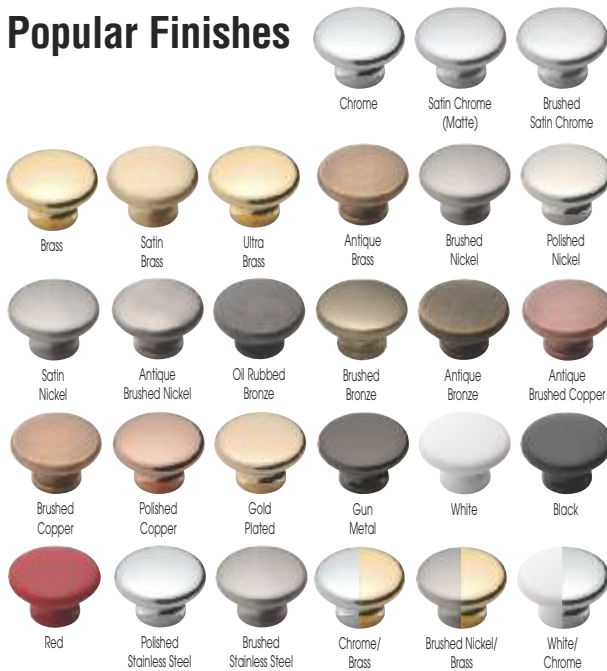
We offer this attractive Finish Display to allow color matching in today's modern bathroom décors. Presented in a very nice tri-fold display, you can keep it in a notebook for presentation as part of a portfolio, or simply hang it in your showroom for customers to view. The Finish Display contains over 20 popular hardware finishes, with all Chips labeled for easy identification. Individual Color Chips are also offered for replacement purposes. In addition, a Replacement Vinyl Tri-Fold Display only (with no Color Chips) is available. Another display option is our SDCSK Color Chip Chain (see below left of page).



CAT. NO. PF04

Replacement Tri-Fold Display Only for SDFD04

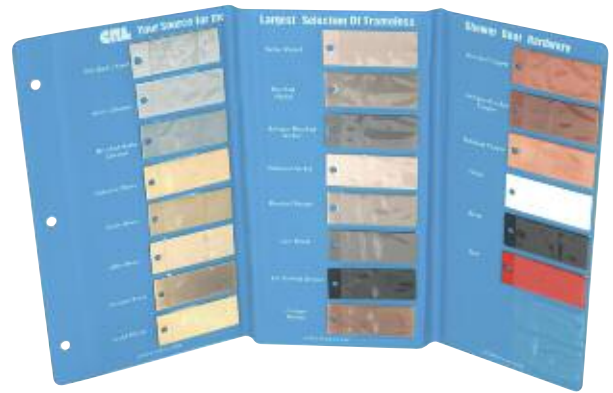
Popular Finishes



CAT. NO. SDCSK

Color Chip Chain

Contains Color Chips of Our Popular Finishes



Complete Hinge Finish Display

CAT. NO. SDFD04

Beauty

All CRL Frameless Shower Door Hardware has consistent finishes that reflect the "hands-on" manufacturing processes used in its production. It will instantly add a look of quality to the appearance of an enclosure and, with proper care and cleaning, will remain beautiful for years to come.

Variety

CRL Frameless Shower Door Hardware is available in a variety of beautiful finishes to enhance the décor of the surrounding environment. There are bright mirror-like finishes that sparkle, antique and high-tech finishes, brushed finishes for 'soft' décors, and painted finishes such as black and white for enclosures that go beyond the conventional.

Custom Finishes

CRL Frameless Shower Door Hardware is available in custom finishes. If we do not have a stock finish that is to your liking we can produce virtually any finish that is compatible to their brass, stainless steel, or aluminum construction. Contact our Shower Technical Sales Staff for assistance with custom finishes.



INDIVIDUAL COLOR CHIPS

CAT. NO.	FINISH	CAT. NO.	FINISH
CH1PCH	Polished Chrome	CH1PORB	Oil Rubbed Bronze
CH1PSC	Satin Chrome (Matte)	CH1PABRZ	Antique Bronze
CH1PBSC	Brushed Satin Chrome	CH1PBBRZ	Brushed Bronze
CH1PBN	Brushed Nickel	CH1PABC0	Antique Brushed Copper
CH1PPN	Polished Nickel	CH1PBC0	Brushed Copper
CH1PSN	Satin Nickel	CH1PC0	Polished Copper
CH1PABN	Antique Brushed Nickel	CH1PGM	Gun Metal
CH1PBR	Polished Brass	CH1PGP	Gold Plated
CH1PSB	Satin Brass	CH1PW	White
CH1PABR	Antique Brass	CH1PBL	Black
CH1PUBR	Ultra Brass	CH1PRD	Red
		CH1PSLV	Blank Sleeve Only

Minimum order: 1 each. Others available on special order.

Minimum order: 1 each. Others available on special order.

CRL HINGES FOR 5/16" TO 3/8" (8 TO 10 MM) GLASS

For Pricing Visit crlaurence.com or Call Us Toll Free at the Phone Numbers Shown on the Back Cover

CRL Prima Series Top and Bottom Pivot Hinges

Patent Number
5,297,313

Enjoy The View...

See Following Pages
for Product Details



CRL HINGES FOR 5/16" TO 3/8" (8 TO 10 MM) GLASS

For Pricing Visit crlaurence.com or Call Us Toll Free at the Phone Numbers Shown on the Back Cover

CRL Prima Series Hinges (Top and Bottom Mount)

The Best of All Worlds...

- Aesthetically Pleasing Due to More Glass Exposure
- Majority of Weight Rests on Bottom for Smooth Door Movement

ADVANTAGES

- (1) More glass exposure with Top and Bottom Mounting Style. Typical Side Mount Style Hinges "interfere" with the 'all-glass' vision.
- (2) Weight distribution principally on the bottom hinge, reducing the leverage condition that Side Mount Hinges cause.
- (3) Less glass expense by being able to reduce the amount of cut-outs to usually only two. In many glass-to-glass applications there will be at least four cut-outs required (two in door, two in adjacent side panel) or sometimes six total cut-outs if three Side Mount Hinges were required.



Patent Number 5,297,313



MODEL PPH01
Top or Bottom Mount



MODEL PPH02
Glass-to-Glass Mount



MODEL PPH03
L-Bracket Wall Mount



MODEL PPH04
Inline Panel Mount



MODEL PPH05
Offset Bracket Wall Mount
(Left Hand Shown)



MODEL PPH06
E-Z Adjust



MODEL PPH07
180° Hinge with U-Clamp



MODEL PPH08
Hinge with Rear Drip Plate

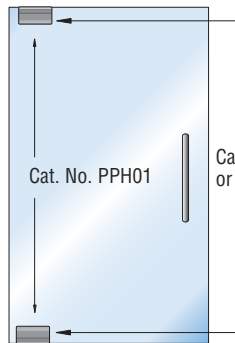


MODEL PPH135
135° Hinge with U-Clamp
(Left Hand Shown)

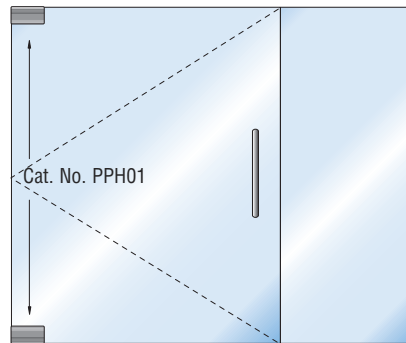
See complete specifications on pages 117J – 124J.

Popular Applications

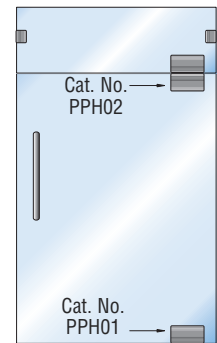
See our SDT21 Frameless Shower Door Guide for More Applications



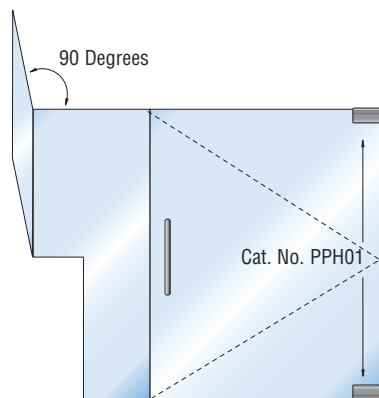
Top and Bottom Pivot for Single Door
(Floor to Ceiling)



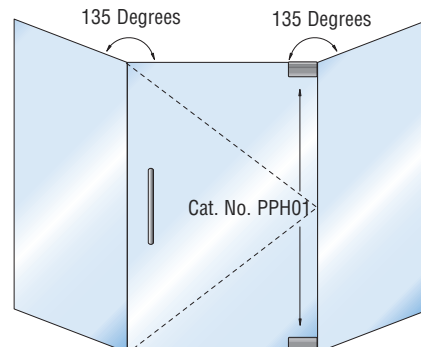
Door With Inline Panel



Top and Bottom Pivot With Fixed Transom



Door With Notched Inline Panel and 90 Degree Return



Neo-Angle Unit



C.R. LAURENCE COMPANY

crlaurence.com | usalum.com

116J | crlaurence.ca crlaurence.com.au crlaurence.co.uk crlaurence.de crlaurence.eu

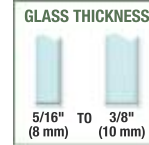
CRL HINGES FOR 5/16" TO 3/8" (8 TO 10 MM) GLASS

For Pricing Visit crlaurence.com or Call Us Toll Free at the Phone Numbers Shown on the Back Cover

CRL Prima Series Hinges

Patent Number
5,297,313

- Patented Top and Bottom Mount Design Allows Aesthetically Pleasing Maximum Glass Exposure
- Can be Inset From Edge of Door to Enable Clearance From Projecting Towel Bars or Other Fixtures
- Can be Easily Adapted to Our Deluxe Header System Using our HAB01 Adaptor Block
- Allow Numerous Shower Configurations
- For Glass Thickness 5/16" (8 mm) to 3/8" (10 mm)



Prima Series Pivot Hinges are designed for use with 5/16" (8 mm) to 3/8" (10 mm) tempered safety glass, and provide an extra number of application possibilities. Some advantages of pivot type hinges include the fact that they carry the majority of the weight on the bottom, and have the ability to be inset from the wall, enabling clearance for towel bars and other projections. Prima Series Pivot Hinges are self-centering, with four springs for maximum retention strength. In addition, Pre-Set 5 Degree Hinge models are available (see page 118J). The Prima Series is adaptable to our Deluxe Header System for shower enclosures not going all the way up to the ceiling (see pages 304J-307J).

SPECIFICATIONS

Glass Thickness Range: 5/16" (8 mm) to 3/8" (10 mm) Tempered Safety Glass

Special Feature: Top and Bottom Mount design allows more glass to show. Use of these hinges can reduce quantity of cut-outs required when compared to standard side mount glass-to-glass hinges. Cat. No. PPH01 can be mounted floor and ceiling, or floor and header

Construction: Solid Brass

Hinge Swings: Full Rotation

Closing Type: Self-Centering When Within 15 Degrees of Closed Position

Cut-Out or Cut-Out Plus Holes Required

Includes: Gaskets, Phillips Screws, Allen Screws, and Glass Fabrication Dimensions



OPTIONAL 5 DEGREE PIVOT PIN SET (FOR PRIMA, CARDIFF, RONDO, AND SHELL SERIES)

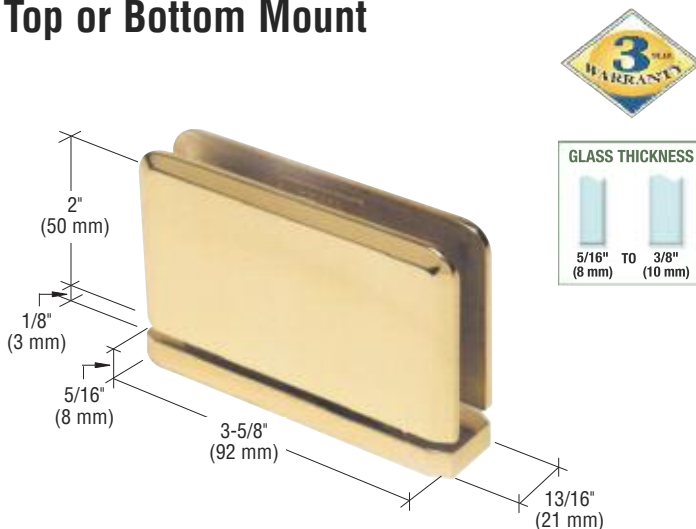
Optional 5 Degree Pivot Pin Sets are available when you want to alter the closing position of the door by 5 degrees. These Pivot Pins may be inserted prior to installation, or retrofitted after the installation is complete. Sold as a set of two, one for the top, and one for the bottom. Not included with hinge purchase. Pre-Set 5 Degree Hinge models are available from stock. (See page 118J).

*MAXIMUM CAPACITIES	5/16" (8 MM) GLASS		3/8" (10 MM) GLASS	
	WEIGHT	DOOR WIDTH	WEIGHT	DOOR WIDTH
Using Two Hinges	100 lbs/45 kg	31"/787 mm	100 lbs/45 kg	31"/787 mm

* NOTE: Do not exceed maximum door weight or width when choosing proper quantity of hinges.

CAT. NO. P1VP1N (sold as set)

Top or Bottom Mount



MODEL PPH01

CAT. NO.	FINISH
PPH01CH	Polished Chrome
PPH01SC	Satin Chrome (Matte)
PPH01BSC	Brushed Satin Chrome
PPH01BN	Brushed Nickel
PPH01PN	Polished Nickel
PPH01SN	Satin Nickel
PPH01ABN	Antique Brushed Nickel
PPH01BR	Polished Brass
PPH01SB	Satin Brass
PPH01ABR	Antique Brass
PPH01UBR	Ultra Brass
PPH01ORB	Oil Rubbed Bronze
PPH01ABRZ	Antique Bronze
PPH01BBRZ	Brushed Bronze
PPH01ABCO	Antique Brushed Copper
PPH01BCO	Brushed Copper
PPH01PCO	Polished Copper
PPH01GP	Gold Plated
PPH01GM	Gun Metal
PPH01WC	White/Chrome Screws
PPH01BL	Black/Chrome Screws

Minimum order: 1 each. All Frameless Shower Door Hinges can be combined for quantity pricing. Other finishes available on special order. NOTE: All Shower Door Hinges are sold by the each, not in pairs. Be sure to order a minimum of two each hinges to install one door.

CRL HINGES FOR 5/16" TO 3/8" (8 TO 10 MM) GLASS

For Pricing Visit crlaurence.com or Call Us Toll Free at the Phone Numbers Shown on the Back Cover

CRL Prima 5 Degree Pre-Set Series Hinges (Top and Bottom Mount)

Patent Number
5,297,313



- Contain Pivot Pin Already Pre-Set at 5 Degrees Closing Position Into Shower Enclosure
- Especially Effective When Wanting to Have Door Close Snugly Against a Strike Jamb
- May be Mounted Floor and Ceiling, or Into Our Deluxe Header System
- Many Stock Finishes, With Custom Finishes Available

Prima 5 Degree Pre-Set Hinges are designed for use with 5/16" (8 mm) to 3/8" (10 mm) thick glass. The Number 1 Pivot Pin Model is set so that it would be used at either the top left or bottom right of the door. The Number 2 Pivot Pin Model is set so that it would be used at either the top right or bottom left of the door. When installing, you will always use one Number 1 Model, and one Number 2 Model. They can then be positioned with the options described above. The 5 degree Pre-Set Pivot Pins allow the door to close 5 degrees further into the shower enclosure. This is especially helpful in closing the door tightly against a strike jamb. These hinges may be mounted floor and ceiling, or into our Deluxe Header System shown on pages 304J-307J.



SPECIFICATIONS

Glass Thickness Range: 5/16" to 3/8" (8 to 10 mm)
Tempered Safety Glass

Ordering Tip: When ordering Prima 5 Degree Pre-Set Hinges, you should order one each of the Number 1 Pivot Pin Model, and one each of the Number 2 Pivot Pin Model per door

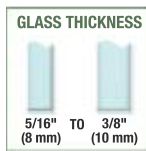
Construction: Solid Brass

Hinge Swings: Full Rotation

Closing Type: Self-Centering When Within 15 Degrees of Closed Position

Cut-Out Required

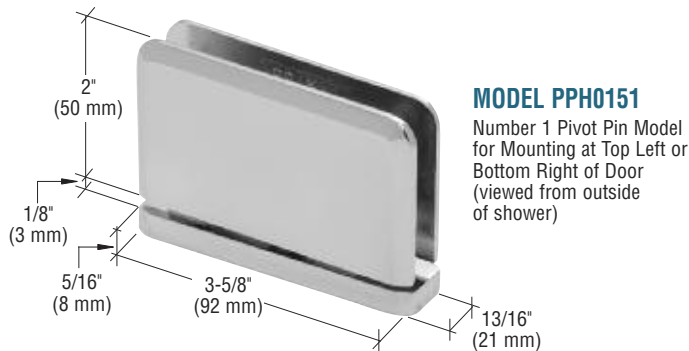
Includes: Gaskets, Phillips Screws, Allen Screws, and Glass Fabrication Dimensions



*MAXIMUM CAPACITIES	5/16" (8 MM) GLASS		3/8" (10 MM) GLASS	
	WEIGHT	DOOR WIDTH	WEIGHT	DOOR WIDTH
Using Two Hinges	100 lbs/45 kg	31"/787 mm	100 lbs/45 kg	31"/787 mm

* NOTE: Do not exceed maximum door weight or width when choosing proper quantity of hinges.

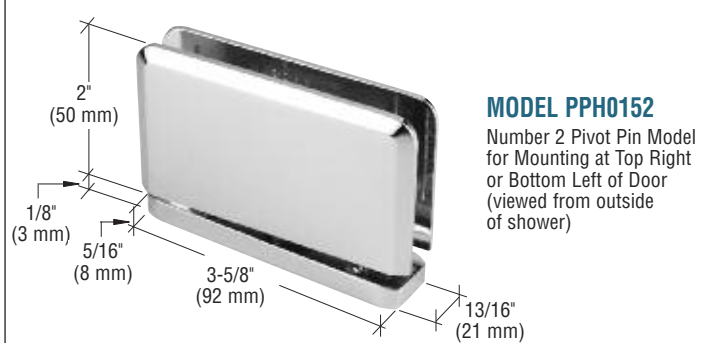
Number 1 Pivot Pin Model



CAT. NO.	FINISH
PPH0151CH	Polished Chrome
PPH0151SC	Satin Chrome (Matte)
PPH0151BSC	Brushed Satin Chrome
PPH0151BN	Brushed Nickel
PPH0151PN	Polished Nickel
PPH0151BR	Polished Brass
PPH0151ABR	Antique Brass
PPH0151ORB	Oil Rubbed Bronze
PPH0151PCO	Polished Copper

Minimum order: 1 each. All Frameless Shower Door Hinges can be combined for quantity pricing. Other finishes available on special order. NOTE: All Shower Door Hinges are sold by the each, not in pairs. Be sure to order a minimum of two each hinges to install one door.

Number 2 Pivot Pin Model



CAT. NO.	FINISH
PPH0152CH	Polished Chrome
PPH0152SC	Satin Chrome (Matte)
PPH0152BSC	Brushed Satin Chrome
PPH0152BN	Brushed Nickel
PPH0152PN	Polished Nickel
PPH0152BR	Polished Brass
PPH0152ABR	Antique Brass
PPH0152ORB	Oil Rubbed Bronze
PPH0152PCO	Polished Copper

Minimum order: 1 each. All Frameless Shower Door Hinges can be combined for quantity pricing. Other finishes available on special order. NOTE: All Shower Door Hinges are sold by the each, not in pairs. Be sure to order a minimum of two each hinges to install one door.



C.R. LAURENCE COMPANY

crlaurence.com | usalum.com

118J | crlaurence.ca crlaurence.com.au crlaurence.co.uk crlaurence.de crlaurence.eu

CRL HINGES FOR 5/16" TO 3/8" (8 TO 10 MM) GLASS

For Pricing Visit crlaurence.com or Call Us Toll Free at the Phone Numbers Shown on the Back Cover

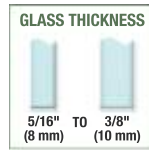
CRL Prima Series Hinges Adjustable Top or Bottom Mount

- Not Compatible With Header Systems
- Adjusting Up to 5 Degrees Both In and Out to the Desired Door Alignment

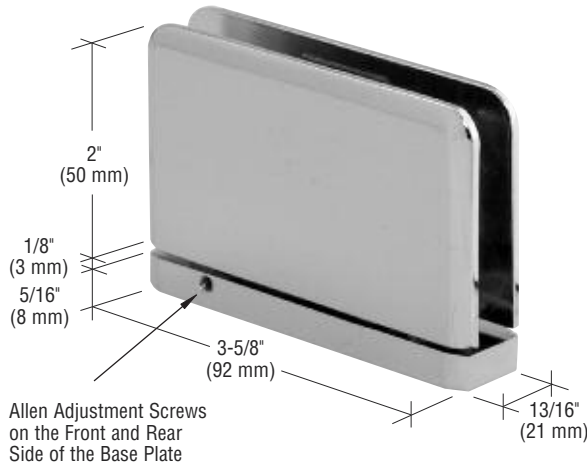
new



Certification
(See Page 107J)



Patent Number
5,297,313



MODEL PPH301

FINISHES:



Most models are stocked in the finishes shown here, others are available on special order.

CAT. NO.

FINISH

PPH301CH	Polished Chrome
PPH301SC	Satin Chrome (Matte)
PPH301BN	Brushed Nickel
PPH301PN	Polished Nickel
PPH301SN	Satin Nickel
PPH301BR	Polished Brass
PPH301ORB	Oil Rubbed Bronze

Minimum order: 1 each. All Frameless Shower Door Hinges can be combined for quantity pricing. Other finishes available on special order. **NOTE:** All Shower Door Hinges are sold by the each, not in pairs. Be sure to order a minimum of two each hinges to install one door.

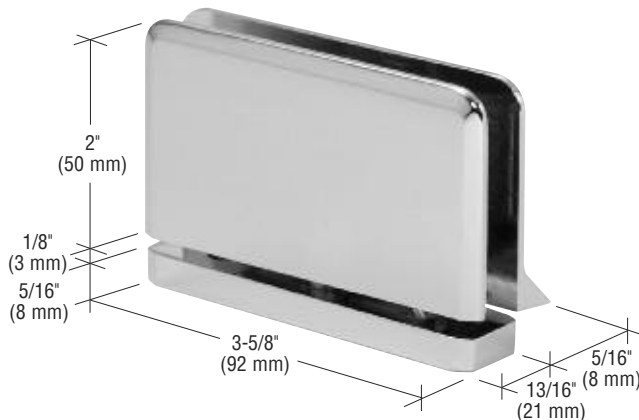
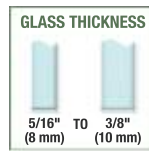
Bottom Mount With Rear Drip Plate

- Attractive Drip Plate on Rear of Hinge Helps Deflect Water Back Into the Shower
- Stocked in Four Popular Finishes
- Drip Plates Also Available Separately in Eight Stock Finishes (See Page 223J)

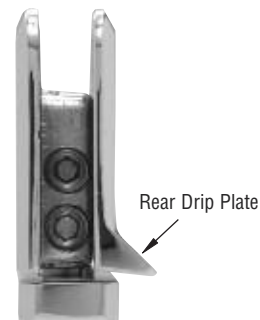
new



Certification
(See Page 107J)



MODEL PPH08



Side View

FINISHES:



Most models are stocked in the finishes shown here, others are available on special order.

CAT. NO.

FINISH

PPH08CH	Polished Chrome
PPH08BN	Brushed Nickel
PPH08BR	Polished Brass
PPH08ORB	Oil Rubbed Bronze

Minimum order: 1 each. All Frameless Shower Door Hinges can be combined for quantity pricing. Other finishes available on special order. **NOTE:** All Shower Door Hinges are sold by the each, not in pairs. Be sure to order a minimum of two each hinges to install one door.

CRL HINGES FOR 5/16" TO 3/8" (8 TO 10 MM) GLASS

For Pricing Visit crlaurence.com or Call Us Toll Free at the Phone Numbers Shown on the Back Cover

CRL Prima Series Hinges **new** EZ-Adjust Series Top Mount Hinge

- For Glass Thickness 5/16" (8 mm) to 3/8" (10 mm)
- Top Mount (Compatible Only With EZ-Adjust Header Shown on Page 308J. Use Cat. No. PPH01 as Bottom Hinge)
- No Drilling Required to Install Hinge Into EZ-Adjust Header
- Adjustable Side-to-Side After Installation

SPECIFICATIONS:

Glass Thickness Range: 5/16" (8 mm) to 3/8" (10 mm)
Tempered Safety Glass

Special Features: Top and Bottom Mount design allows more glass to show. Use of these hinges will reduce quantity of cut-outs required when compared to standard side mount glass-to-glass hinges. Cat. No. PPH06 is only compatible with our new EZ-Adjust Header System (See Page 308J).

Construction: Solid Brass

Hinge Swings: Full Rotation

Closing Type: Self-Centering When Within 15 Degrees of Closed Position

Includes: Gaskets, Screws, and Glass Fabrication Dimensions



Certification
(See Page 107J)

Patent Number
5,297,313

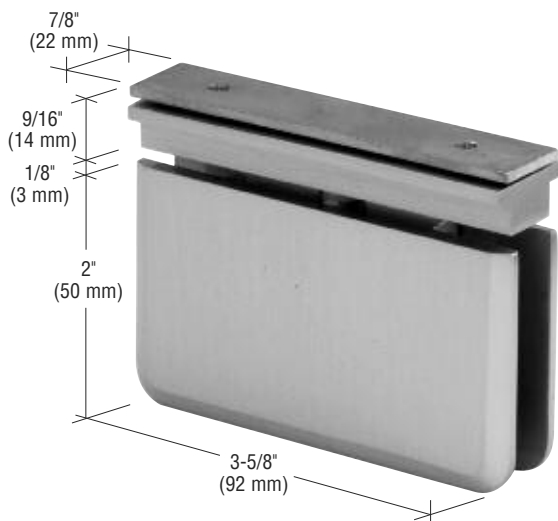
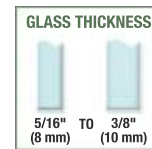


*MAXIMUM CAPACITIES	5/16" (8 MM) GLASS		3/8" (10 MM) GLASS	
	WEIGHT	DOOR WIDTH	WEIGHT	DOOR WIDTH
Using Two Hinges	100 lbs/45 kg	31"/787 mm	100 lbs/45 kg	31"/787 mm

*NOTE: Do not exceed maximum door weight or width.

EZ-Adjust Series Top Mount Hinge

new



MODEL PPH06

FINISHES:



Most models are stocked in the finishes shown here, others are available on special order.

CAT. NO.	FINISH
PPH06CH	Polished Chrome
PPH06SC	Satin Chrome (Matte)
PPH06BSC	Brushed Satin Chrome
PPH06BN	Brushed Nickel
PPH06BR	Polished Brass
PPH06SB	Satin Brass
PPH06ORB	Oil Rubbed Bronze
PPH06W	White

Minimum order: 1 each. All Frameless Shower Door Hinges can be combined for quantity pricing. Other finishes available on special order. **NOTE:** All Shower Door Hinges are sold by the each, not in pairs. Be sure to order a minimum of two each hinges to install one door.



C.R. LAURENCE COMPANY

crlaurence.com | usalum.com

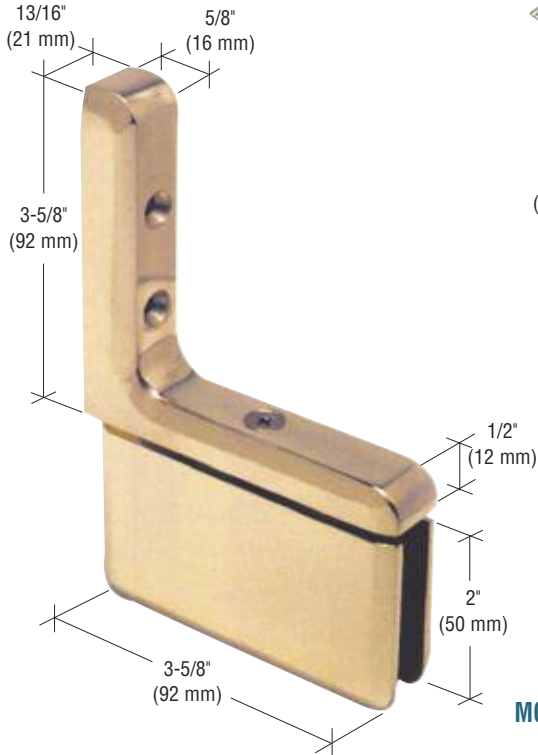
120J | crlaurence.ca crlaurence.com.au crlaurence.co.uk crlaurence.de crlaurence.eu

CRL HINGES FOR 5/16" TO 3/8" (8 TO 10 MM) GLASS

For Pricing Visit crlaurence.com or Call Us Toll Free at the Phone Numbers Shown on the Back Cover

CRL Prima Series Hinges

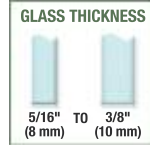
L-Bracket Wall Mount



CE
Certification
(See Page 107J)

MODEL PPH03

Patent Number
5,297,313



FINISHES:

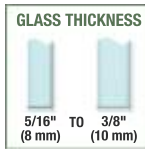


Most models are stocked in the finishes shown here, others are available on special order.

CAT. NO.	FINISH
PPH03CH	Polished Chrome
PPH03SC	Satin Chrome (Matte)
PPH03BSC	Brushed Satin Chrome
PPH03BN	Brushed Nickel
PPH03PN	Polished Nickel
PPH03SN	Satin Nickel
PPH03BR	Polished Brass
PPH03SB	Satin Brass
PPH03ABR	Antique Brass
PPH03UBR	Ultra Brass
PPH03ORB	Oil Rubbed Bronze
PPH03ABRZ	Antique Bronze
PPH03ABCO	Antique Brushed Copper
PPH03GP	Gold Plated
PPH03WC	White/Chrome Screws
PPH03BL	Black/Chrome Screws

Minimum order: 1 each. All Frameless Shower Door Hinges can be combined for quantity pricing. Other finishes available on special order. **NOTE:** All Shower Door Hinges are sold by the each, not in pairs. Be sure to order a minimum of two each hinges to install one door.

Offset Bracket Wall Mount



CE
Certification
(See Page 107J)

MODEL PPH05L
(Left Hand Mount)

MODEL PPH05R
(Right Hand Mount)

Left Hand Mount Shown
(Viewed from Outside
of Shower)

FINISHES:



Most models are stocked in the finishes shown here, others are available on special order.

OFFSET BRACKET WALL MOUNT (LH) CAT. NO.	OFFSET BRACKET WALL MOUNT (RH) CAT. NO.	FINISH
PPH05LCH	PPH05RCH	Polished Chrome
PPH05LSC	PPH05RSC	Satin Chrome (Matte)
PPH05LBSC	PPH05RBSC	Brushed Satin Chrome
PPH05LBN	PPH05RBN	Brushed Nickel
PPH05LPN	PPH05RPN	Polished Nickel
PPH05LSN	PPH05RSN	Satin Nickel
PPH05LABN	PPH05RABN	Antique Brushed Nickel
PPH05LBR	PPH05RBR	Polished Brass
PPH05LSB	PPH05RSB	Satin Brass
PPH05LABR	PPH05RABR	Antique Brass
PPH05LUBR	PPH05RUBR	Ultra Brass
PPH05LORB	PPH05RORB	Oil Rubbed Bronze
PPH05LABRZ	PPH05RABRZ	Antique Bronze
PPH05LABCO	PPH05RABCO	Antique Brushed Copper
PPH05LPCO	PPH05RPCO	Polished Copper
PPH05LGP	PPH05RGP	Gold Plated
PPH05LGM	PPH05RGM	Gun Metal

Minimum order: 1 each. All Frameless Shower Door Hinges can be combined for quantity pricing. Other finishes available on special order. **NOTE:** All Shower Door Hinges are sold by the each, not in pairs. Be sure to order a minimum of two each hinges to install one door.

CRL HINGES FOR 5/16" TO 3/8" (8 TO 10 MM) GLASS

For Pricing Visit crlaurence.com or Call Us Toll Free at the Phone Numbers Shown on the Back Cover

CRL Prima Glass-to-Glass Series Hinges

- For Glass Thickness 5/16" (8 mm) to 3/8" (10 mm)

Patent Number
5,297,313

CE
Certification
(See Page 107J)

SPECIFICATIONS

Glass Thickness Range: 5/16" (8 mm) to 3/8" (10 mm)
Tempered Safety Glass

Special Feature: The Glass-to-Glass Mount Pivot Hinge is typically used for doors with fixed transoms or, when placed vertically they can be used in movable transom installations.

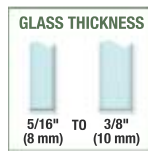
Construction: Solid Brass

Hinge Swings: Full Rotation

Closing Type: Self-Centering When Within 15 Degrees of Closed Position

Cut-Out Required

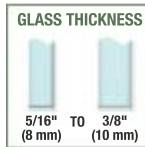
Includes: Gaskets, Phillips Screws, Allen Screws, and Glass Fabrication Dimensions



*MAXIMUM CAPACITIES	5/16" (8 MM) GLASS		3/8" (10 MM) GLASS	
	WEIGHT	DOOR WIDTH	WEIGHT	DOOR WIDTH
Using Two Hinges	100 lbs/45 kg	31"/787 mm	100 lbs/45 kg	31"/787 mm

* NOTE: Do not exceed maximum door weight or width when choosing proper quantity of hinges.

Glass-to-Glass Mount



MODEL PPH02

CAT. NO.	FINISH
PPH02CH	Polished Chrome
PPH02SC	Satin Chrome (Matte)
PPH02BSC	Brushed Satin Chrome
PPH02BN	Brushed Nickel
PPH02PN	Polished Nickel
PPH02ABN	Antique Brushed Nickel
PPH02BR	Polished Brass
PPH02SB	Satin Brass
PPH02ABR	Antique Brass
PPH02UBR	Ultra Brass
PPH02ORB	Oil Rubbed Bronze
PPH02BBRZ	Brushed Bronze
PPH02ABCO	Antique Brushed Copper
PPH02BCO	Brushed Copper
PPH02GP	Gold Plated
PPH02GM	Gun Metal
PPH02BL	All Black

Minimum order: 1 each. All Frameless Shower Door Hinges can be combined for quantity pricing. Other finishes available on special order. NOTE: All Shower Door Hinges are sold by the each, not in pairs. Be sure to order a minimum of two each hinges to install one door.



C.R. LAURENCE COMPANY

crlaurence.com | usalum.com

122J | crlaurence.ca crlaurence.com.au crlaurence.co.uk crlaurence.de crlaurence.eu

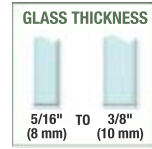
CRL HINGES FOR 5/16" TO 3/8" (8 TO 10 MM) GLASS

For Pricing Visit crlaurence.com or Call Us Toll Free at the Phone Numbers Shown on the Back Cover

CRL Prima Series Glass-to-Glass Hinges

180 Degree Inline Panel Glass-to-Glass

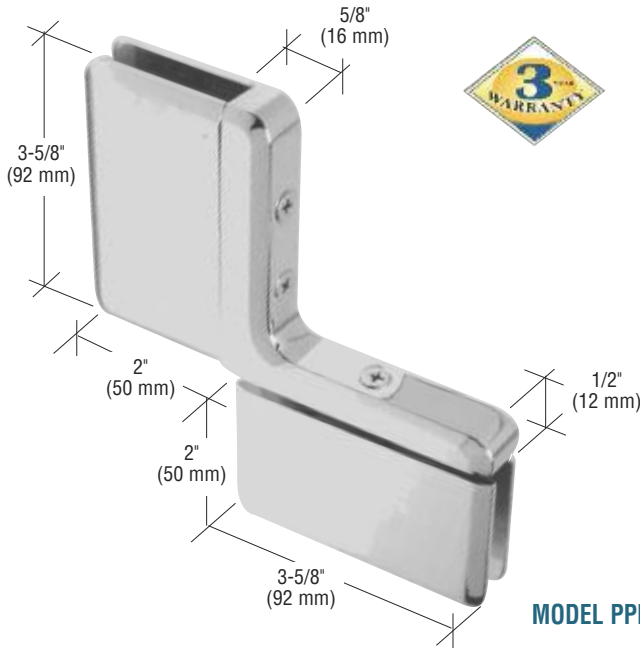
Patent Number
5,297,313



FINISHES:



Most models are stocked in the finishes shown here, others are available on special order.



CAT. NO.

PPH04CH
PPH04SC
PPH04BSC
PPH04BN
PPH04PN
PPH04BR
PPH04SB
PPH04ABR
PPH04ORB
PPH04GP

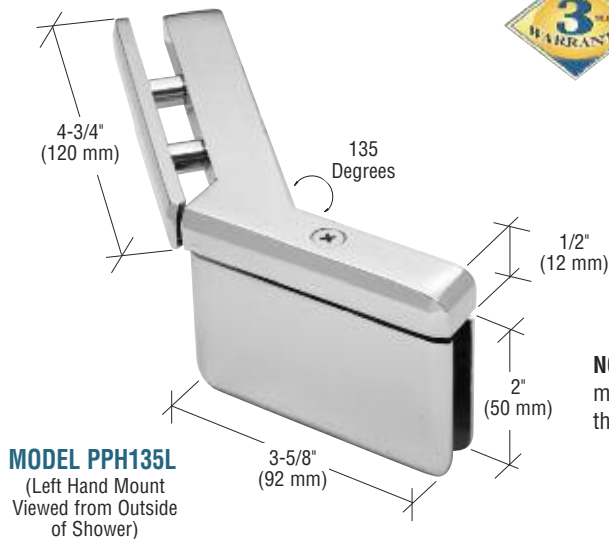
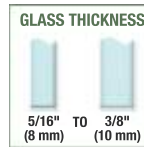
FINISH

Polished Chrome
Satin Chrome (Matte)
Brushed Satin Chrome
Brushed Nickel
Polished Nickel
Polished Brass
Satin Brass
Antique Brass
Oil Rubbed Bronze
Gold Plated

Minimum order: 1 each. All Frameless Shower Door Hinges can be combined for quantity pricing. Other finishes available on special order. **NOTE:** All Shower Door Hinges are sold by the each, not in pairs. Be sure to order a minimum of two each hinges to install one door.

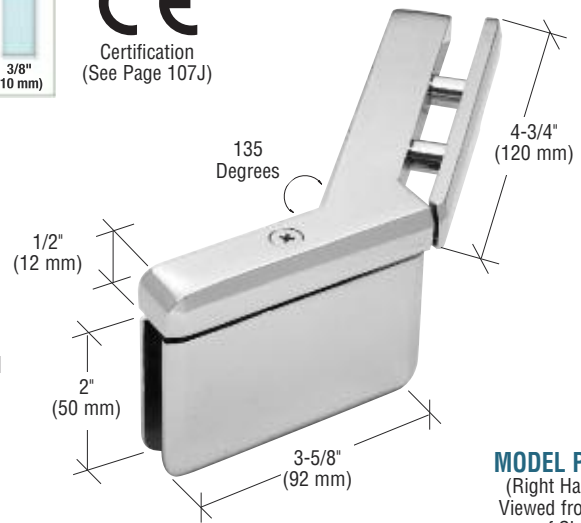
MODEL PPH04

135 Degree Glass-to-Glass



NOTE: Fixed Panel must be higher than door glass.

MODEL PPH135L
(Left Hand Mount
Viewed from Outside of Shower)



MODEL PPH135R
(Right Hand Mount
Viewed from Outside of Shower)

CAT. NO.

PPH135LCH
PPH135LSC
PPH135LBN
PPH135LPN
PPH135LBR
PPH135LABR
PPH135LORB

FINISH

Polished Chrome
Satin Chrome (Matte)
Brushed Nickel
Polished Nickel
Polished Brass
Antique Brass
Oil Rubbed Bronze

Minimum order: 1 each. All Frameless Shower Door Hinges can be combined for quantity pricing. Other finishes available on special order. **NOTE:** All Shower Door Hinges are sold by the each, not in pairs. Be sure to order a minimum of two each hinges to install one door.

CAT. NO.

PPH135RCH
PPH135RSC
PPH135RBN
PPH135RPN
PPH135RBR
PPH135RABR
PPH135RORB

FINISH

Polished Chrome
Satin Chrome (Matte)
Brushed Nickel
Polished Nickel
Polished Brass
Antique Brass
Oil Rubbed Bronze

Minimum order: 1 each. All Frameless Shower Door Hinges can be combined for quantity pricing. Other finishes available on special order. **NOTE:** All Shower Door Hinges are sold by the each, not in pairs. Be sure to order a minimum of two each hinges to install one door.

CRL HINGES FOR 5/16" TO 3/8" (8 TO 10 MM) GLASS

For Pricing Visit crlaurence.com or Call Us Toll Free at the Phone Numbers Shown on the Back Cover

CRL Prima Series Glass-to-Glass Hinges

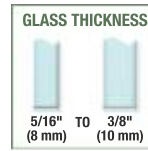
Top or Bottom Mount 180 Degree Inline Hinges With Attached U-Clamp

- See Design Criteria at crlaurence.com
- Alternative to Using Traditional Header Systems
- Door Glass May be 5/16" or 3/8" (8 or 10 mm) Thick
- Fixed Panel May be 5/16", 3/8", or 1/2" (8, 10, or 12 mm) Thick

new



Certification (See Page 107J)

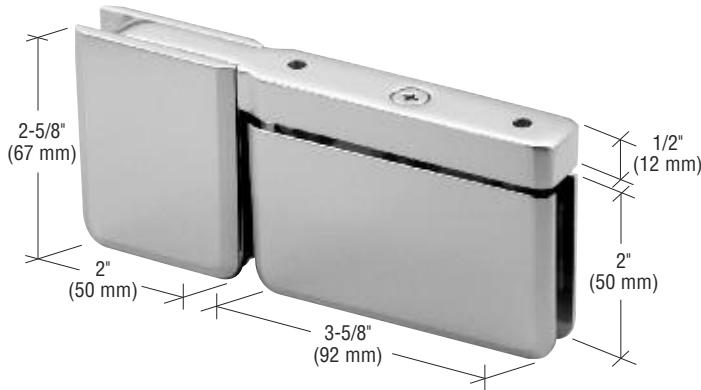


Patent Number 5,297,313

FINISHES:



Most models are stocked in the finishes shown here, others are available on special order.



MODEL PPH07

CAT. NO.	FINISH
PPH07CH	Polished Chrome
PPH07SC	Satin Chrome (Matte)
PPH07BN	Brushed Nickel
PPH07PN	Polished Nickel
PPH07SN	Satin Nickel
PPH07BR	Polished Brass
PPH07ORB	Oil Rubbed Bronze
PPH07BBRZ	Brushed Bronze

Minimum order: 1 each. All Frameless Shower Door Hinges can be combined for quantity pricing. Other finishes available on special order. **NOTE:** All Shower Door Hinges are sold by the each, not in pairs. Be sure to order a minimum of two each hinges to install one door.

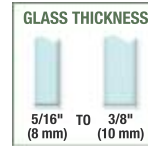
135 Degree Glass-to-Glass Hinges With Attached U-Clamp

- See Design Criteria at crlaurence.com
- Alternative to Using Traditional Header Systems
- Door Glass May be 5/16" or 3/8" (8 or 10 mm) Thick
- Fixed Panel May be 5/16", 3/8", or 1/2" (8, 10, or 12 mm) Thick

new



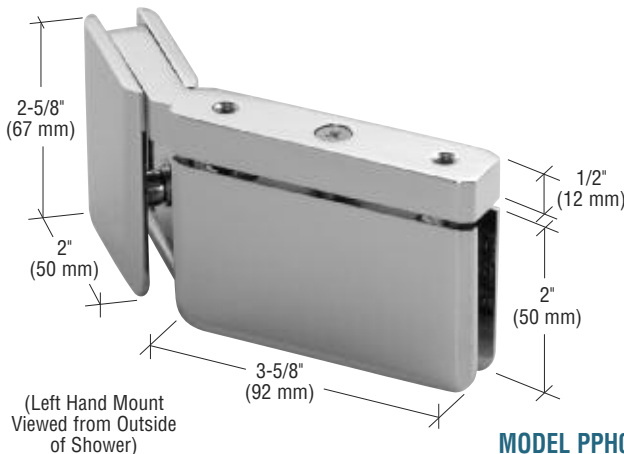
Certification (See Page 107J)



FINISHES:



Most models are stocked in the finishes shown here, others are available on special order.



MODEL PPH0735

CAT. NO. LEFT HAND*	CAT. NO. RIGHT HAND*	FINISH
PPH0735LCH	PPH0735RCH	Polished Chrome
PPH0735LSC	PPH0735RSC	Satin Chrome (Matte)
PPH0735LBN	PPH0735RBN	Brushed Nickel
PPH0735LPN	PPH0735RPN	Polished Nickel
PPH0735LBR	PPH0735RBR	Polished Brass
PPH0735LORB	PPH0735RORB	Oil Rubbed Bronze

Minimum order: 1 each. All Frameless Shower Door Hinges can be combined for quantity pricing. Other finishes available on special order. **NOTE:** All Shower Door Hinges are sold by the each, not in pairs. Be sure to order a minimum of two each hinges to install one door. * Handing as viewed from outside of shower.



C.R. LAURENCE COMPANY

crlaurence.com | usalum.com

124J | crlaurence.ca crlaurence.com.au crlaurence.co.uk crlaurence.de crlaurence.eu

CRL HINGES FOR 1/4" OR 1/2" (6 OR 12 MM) GLASS

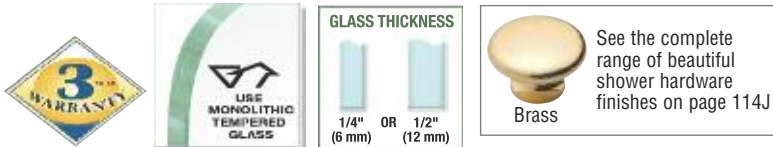
For Pricing Visit crlaurence.com or Call Us Toll Free at the Phone Numbers Shown on the Back Cover

CRL Senior and Junior Prima Series

- Versions of Our Family of Prima Series Hinges, But for 1/2" (12 mm) or 1/4" (6 mm) Thick Glass
- Senior Prima Hinge is Adaptable to Our Deluxe Header System Shown on Pages 304J-307J
- Junior Prima Hinge is Adaptable to Our Junior Header System Shown on Page 309J
- Two Model Types in Many Popular Stock Finishes



Advantages of Senior and Junior Prima Hinges include the fact that they carry the majority of the weight on the bottom, and have the ability to be inset from the wall, enabling clearance for towel bars and other projections. The Glass-to-Glass Mount Pivot Hinge is used for doors having fixed transoms. When placed vertically either style can be used in movable transom installations. These Pivot Hinges are self-centering, with four springs for maximum retention strength. The Senior Prima Series is adaptable to our Deluxe Header System (see pages 304J-307J). The Junior Prima Series is adaptable to our Junior Header Kit (see page 309J).



SPECIFICATIONS

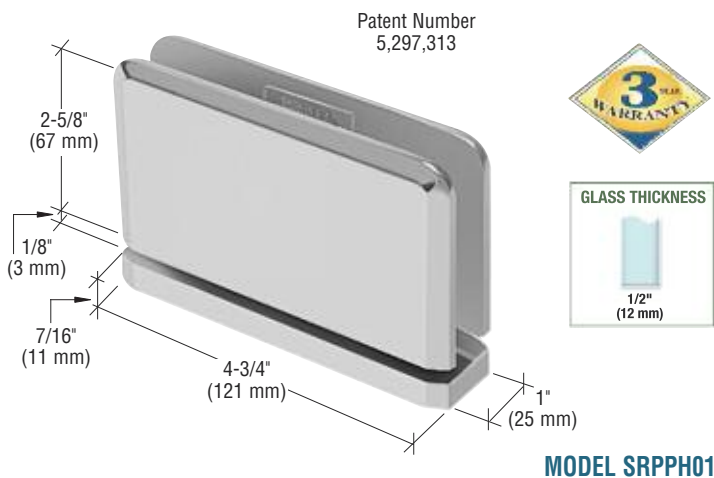
Glass Thickness Range: Senior Prima: 1/2" (12 mm); Junior Prima: 1/4" (6 mm) Tempered Safety Glass
Special Features: Top and Bottom Mount allows more glass exposure. Can also save on glass fabrication costs when compared against use of Side Mount Glass-to-Glass Hinges requiring more cut-outs
Construction: Solid Brass
Hinge Swings: Full Rotation
Closing Type: Self-Centering When Within 15 Degrees of Closed Position
Cut-Out Required
Includes: Gaskets, Phillips Screws, Allen Screws, and Glass Fabrication Dimensions

*MAXIMUM CAPACITIES	SENIOR PRIMA 1/2" (12 MM) GLASS		JUNIOR PRIMA 1/4" (6 MM) GLASS	
	WEIGHT	DOOR WIDTH	WEIGHT	DOOR WIDTH
Using Two Hinges	145 lbs/66 kg	36"/914 mm	62 lbs/28 kg	28"/711 mm

* NOTE: Do not exceed maximum weight or width.



Senior Prima Top or Bottom Mount



CAT. NO.	FINISH
SRPPH01CH	Polished Chrome
SRPPH01SC	Satin Chrome (Matte)
SRPPH01BSC	Brushed Satin Chrome
SRPPH01BN	Brushed Nickel
SRPPH01PN	Polished Nickel
SRPPH01SN	Satin Nickel
SRPPH01ABN	Antique Brushed Nickel
SRPPH01BR	Polished Brass
SRPPH01SB	Satin Brass
SRPPH01ABR	Antique Brass
SRPPH01ORB	Oil Rubbed Bronze
SRPPH01ABRZ	Antique Bronze
SRPPH01BBRZ	Brushed Bronze
SRPPH01ABC0	Antique Brushed Copper
SRPPH01GP	Gold Plated
SRPPH01GM	Gun Metal
SRPPH01WC	White/Chrome Screws
SRPPH01BL	Black/Chrome Screws

Minimum order: 1 each. All Frameless Shower Door Hinges can be combined for quantity pricing. Other finishes available on special order. NOTE: All Shower Door Hinges are sold by the each, not in pairs. Be sure to order a minimum of two each hinges to install one door.

CRL HINGES FOR 1/2" (12 MM) GLASS

For Pricing Visit crlaurence.com or Call Us Toll Free at the Phone Numbers Shown on the Back Cover

CRL Senior Prima Series EZ-Adjust Senior Prima Top Mount Hinges

- Top Mount (Compatible Only With EZ-Adjust Header Shown on Page 308J. Use Cat. No. SRPPH01 as Bottom Hinge)
- No Drilling Required to Install Hinge Into EZ-Adjust Header
- Adjustable Side-to-Side After Installing

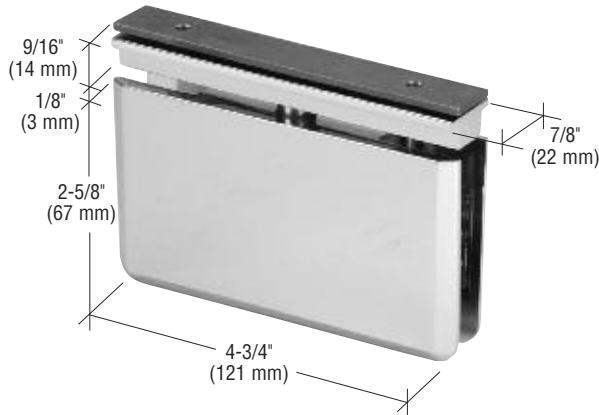
new



Certification
(See Page 107J)



Patent Number
5,297,313



MODEL SRPPH06

FINISHES:



Most models are stocked in the finishes shown here, others are available on special order.

CAT. NO.	FINISH
SRPPH06CH	Polished Chrome
SRPPH06SC	Satin Chrome (Matte)
SRPPH06BSC	Brushed Satin Chrome
SRPPH06BN	Brushed Nickel
SRPPH06BR	Polished Brass
SRPPH06SB	Satin Brass
SRPPH06ORB	Oil Rubbed Bronze
SRPPH06W	White

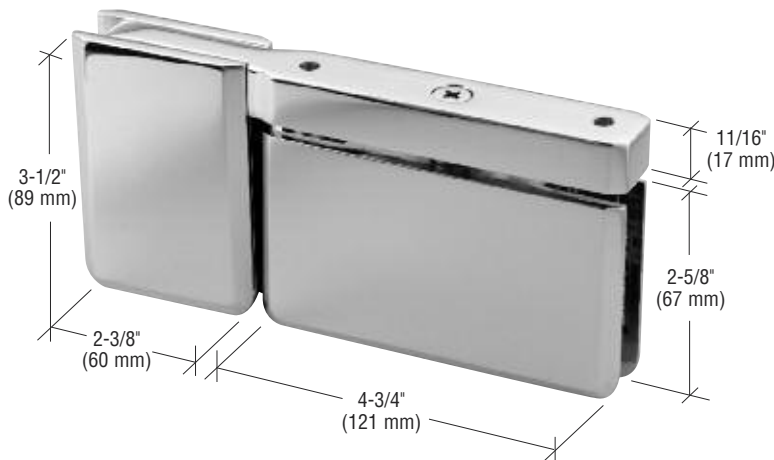
Minimum order: 1 each. All Frameless Shower Door Hinges can be combined for quantity pricing. Other finishes available on special order. **NOTE:** All Shower Door Hinges are sold by the each, not in pairs. Be sure to order a minimum of two each hinges to install one door.

Senior Prima Top or Bottom Mount 180 Degree Inline Hinges With Attached U-Clamp

- See Design Criteria at crlaurence.com
- Alternative to Using Traditional Header Systems
- Door and Fixed Panel Require 1/2" (12 mm) Thick Glass



Certification
(See Page 107J)



MODEL SRPPH07

FINISHES:



Most models are stocked in the finishes shown here, others are available on special order.

CAT. NO.	FINISH
SRPPH07CH	Polished Chrome
SRPPH07SC	Satin Chrome (Matte)
SRPPH07BN	Brushed Nickel
SRPPH07PN	Polished Nickel
SRPPH07SN	Satin Nickel
SRPPH07BR	Polished Brass
SRPPH07ORB	Oil Rubbed Bronze
SRPPH07BRZ	Brushed Bronze

Minimum order: 1 each. All Frameless Shower Door Hinges can be combined for quantity pricing. Other finishes available on special order. **NOTE:** All Shower Door Hinges are sold by the each, not in pairs. Be sure to order a minimum of two each hinges to install one door.



C.R. LAURENCE COMPANY

crlaurence.com | usalum.com

126J | crlaurence.ca crlaurence.com.au crlaurence.co.uk crlaurence.de crlaurence.eu

CRL HINGES FOR 1/4" OR 1/2" (6 OR 12 MM) GLASS

For Pricing Visit crlaurence.com or Call Us Toll Free at the Phone Numbers Shown on the Back Cover

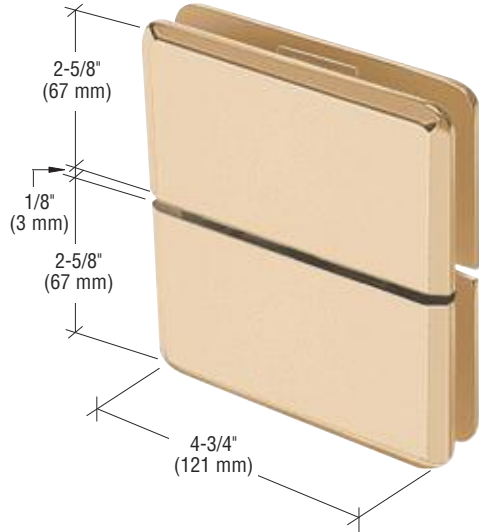
CRL Senior and Junior Prima Series

Patent Number
5,297,313

CE
Certification
(See Page 107J)



Senior Prima Glass-to-Glass



MODEL SRPPH02

FINISHES:

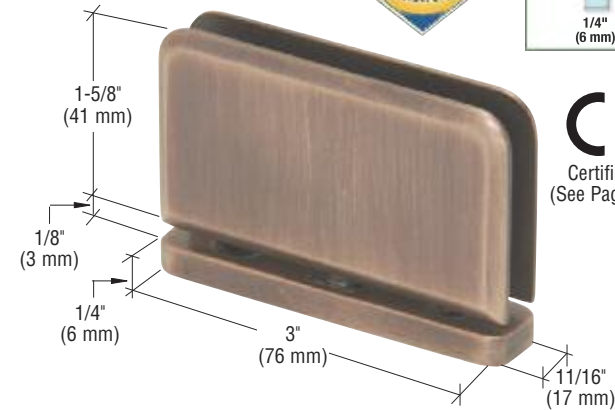


Most models are stocked in the finishes shown here, others are available on special order.

CAT. NO.	FINISH
SRPPH02CH	Polished Chrome
SRPPH02SC	Satin Chrome (Matte)
SRPPH02BN	Brushed Nickel
SRPPH02PN	Polished Nickel
SRPPH02BR	Polished Brass
SRPPH02SB	Satin Brass
SRPPH02ABR	Antique Brass
SRPPH02ORB	Oil Rubbed Bronze
SRPPH02ABRZ	Antique Bronze
SRPPH02GP	Gold Plated
SRPPH02WC	White/Chrome Screws
SRPPH02BL	Black/Chrome Screws

Minimum order: 1 each. All Frameless Shower Door Hinges can be combined for quantity pricing. Other finishes available on special order. **NOTE:** All Shower Door Hinges are sold by the each, not in pairs. Be sure to order a minimum of two each hinges to install one door.

Junior Prima Top or Bottom Mount



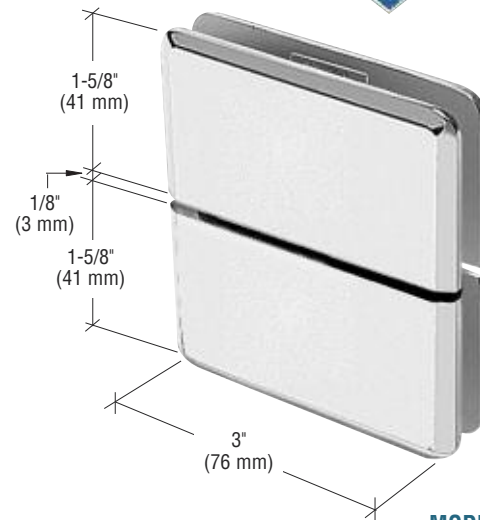
MODEL JRPPH01

CE
Certification
(See Page 107J)

CAT. NO.	FINISH
JRPPH01CH	Polished Chrome
JRPPH01SC	Satin Chrome (Matte)
JRPPH01BN	Brushed Nickel
JRPPH01PN	Polished Nickel
JRPPH01SN	Satin Nickel
JRPPH01BR	Polished Brass
JRPPH01ABR	Antique Brass
JRPPH01ORB	Oil Rubbed Bronze
JRPPH01ABC0	Antique Brushed Copper
JRPPH01GP	Gold Plated
JRPPH01WC	White/Chrome Screws
JRPPH01BL	Black/Chrome Screws

Minimum order: 1 each. All Frameless Shower Door Hinges can be combined for quantity pricing. Other finishes available on special order. **NOTE:** All Shower Door Hinges are sold by the each, not in pairs. Be sure to order a minimum of two each hinges to install one door.

Junior Prima Glass-to-Glass



MODEL JRPPH02

CE
Certification
(See Page 107J)

CAT. NO.	FINISH
JRPPH02CH	Polished Chrome
JRPPH02SC	Satin Chrome (Matte)
JRPPH02BN	Brushed Nickel
JRPPH02PN	Polished Nickel
JRPPH02BR	Polished Brass
JRPPH02ORB	Oil Rubbed Bronze
JRPPH02WC	White/Chrome Screws

Minimum order: 1 each. All Frameless Shower Door Hinges can be combined for quantity pricing. Other finishes available on special order. **NOTE:** All Shower Door Hinges are sold by the each, not in pairs. Be sure to order a minimum of two each hinges to install one door.

CRL HINGES FOR 5/16" TO 3/8" (8 TO 10 MM) GLASS

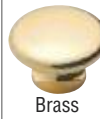
For Pricing Visit crlaurence.com or Call Us Toll Free at the Phone Numbers Shown on the Back Cover

CRL Cardiff Series Hinges

Patent Number
5,297,313

- Square Corner Design for Clean, Sleek Appearance
- Will Adapt to CRL Deluxe Header System
- Models for 5/16" and 3/8" (8 and 10 mm) Thick Glass
- Numerous Finishes Making Décor Matching Easy

Cardiff Series Pivot Hinges are designed for use with 5/16" to 3/8" (8 to 10 mm) tempered safety glass, and provide an extra number of application possibilities. Some advantages of pivot type hinges include the fact that they carry the majority of the weight on the bottom, and have the ability to be inset from the wall, enabling clearance for towel bars and other projections. Cardiff Series Pivot Hinges are self-centering, with four springs for maximum retention strength. Optional 5 Degree Pre-Set Pivot Pin Sets may be ordered separately (see below). The Cardiff Series is adaptable to our Deluxe Header System for shower enclosures not going all the way up to the ceiling (see pages 304J-307J).



See the complete range of beautiful shower hardware finishes on page 114J



*MAXIMUM CAPACITIES	5/16" (8 MM) GLASS		3/8" (10 MM) GLASS	
	WEIGHT	DOOR WIDTH	WEIGHT	DOOR WIDTH
Using Two Hinges	100 lbs/45 kg	31" / 787 mm	100 lbs/45 kg	31" / 787 mm

* NOTE: Do not exceed maximum door weight or width when choosing proper quantity of hinges.



OPTIONAL 5 DEGREE PIVOT PIN SET (FOR PRIMA, CARDIFF, RONDO, AND SHELL SERIES)

Optional 5 Degree Pivot Pin Sets are available when you want to alter the closing position of the door by 5 degrees. These Pivot Pins may be inserted prior to installation, or retrofitted after the installation is complete. Sold as a set of two, one for the top, and one for the bottom. Not included with hinge purchase.



SPECIFICATIONS:

Glass Thickness: 5/16" (8 mm) to 3/8" (10 mm)
Tempered Safety Glass

Special Features: Top and Bottom Mount allows more glass exposure. Use of these hinges will reduce quantity of cut-outs required when compared to standard side mount glass-to-glass hinges. Cat. No. CAR01 can be mounted floor and ceiling, or floor and header

Construction: Solid Brass

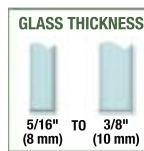
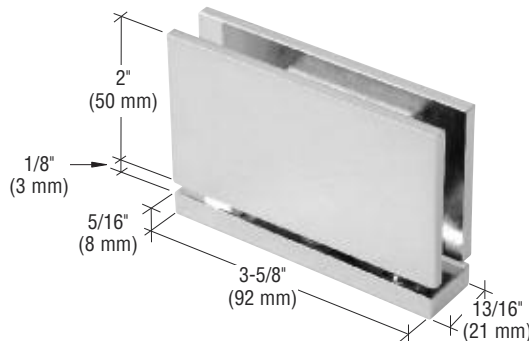
Hinge Swing: Full Rotation

Closing Type: Self-Centering When Within 15 Degrees of Closed Position

Cut-Out Required

Includes: Gaskets, Phillips Screws, Allen Screws, and Glass Fabrication Dimensions

Top or Bottom Mount



MODEL CAR01

CAT. NO.	FINISH
CAR01CH	Polished Chrome
CAR01SC	Satin Chrome (Matte)
CAR01BN	Brushed Nickel
CAR01PN	Polished Nickel
CAR01SN	Satin Nickel
CAR01BR	Polished Brass
CAR01ABR	Antique Brass
CAR01ORB	Oil Rubbed Bronze
CAR01BBRZ	Brushed Bronze

Minimum order: 1 each. All Frameless Shower Door Hinges can be combined for quantity pricing. Other finishes available on special order. NOTE: All Shower Door Hinges are sold by the each, not in pairs. Be sure to order a minimum of two each hinges to install one door.



C.R. LAURENCE COMPANY

crlaurence.com | usalum.com

128J | crlaurence.ca crlaurence.com.au crlaurence.co.uk crlaurence.de crlaurence.eu

CRL HINGES FOR 5/16" TO 3/8" (8 TO 10 MM) GLASS

For Pricing Visit crlaurence.com or Call Us Toll Free at the Phone Numbers Shown on the Back Cover

CRL Cardiff Series Glass-to-Glass Hinges Top or Bottom Mount 180 Degree Inline Hinges With Attached U-Clamp

- See Design Criteria at crlaurence.com
- Alternative to Using Traditional Header Systems
- Door Glass May be 5/16" or 3/8" (8 to 10 mm) Thick
- Fixed Panel May be 5/16", 3/8", or 1/2" (8, 10, or 12 mm) Thick

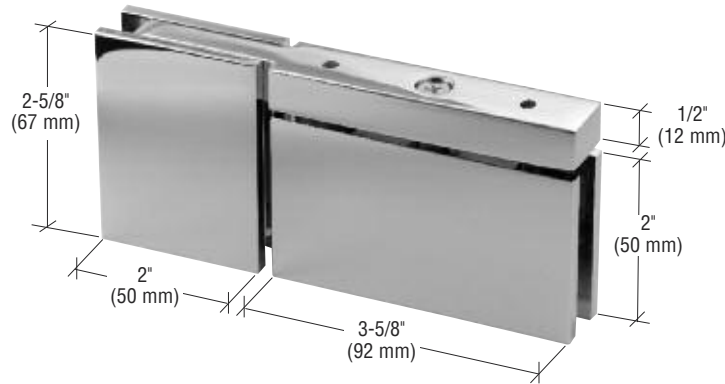
new



Certification
(See Page 107J)



Patent Number
5,297,313



FINISHES:



Most models are stocked in the finishes shown here, others are available on special order.

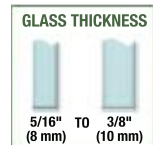
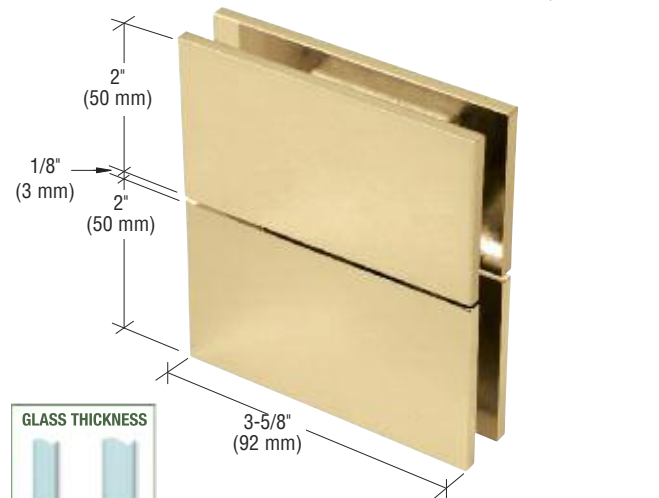
CAT. NO.	FINISH
CAR07CH	Polished Chrome
CAR07SC	Satin Chrome (Matte)
CAR07BN	Brushed Nickel
CAR07PN	Polished Nickel
CAR07SN	Satin Nickel
CAR07BR	Polished Brass
CAR07ORB	Oil Rubbed Bronze
CAR07BBRZ	Brushed Bronze

Minimum order: 1 each. All Frameless Shower Door Hinges can be combined for quantity pricing. Other finishes available on special order. **NOTE:** All Shower Door Hinges are sold by the each, not in pairs. Be sure to order a minimum of two each hinges to install one door.

Glass-to-Glass Mount



CE Certification
(See Page 107J)

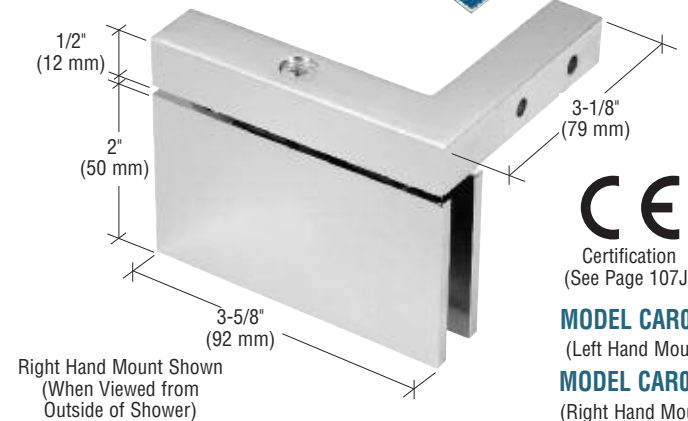


MODEL CAR02

CAT. NO.	FINISH
CAR02CH	Polished Chrome
CAR02SC	Satin Chrome (Matte)
CAR02BN	Brushed Nickel
CAR02BR	Polished Brass
CAR02ORB	Oil Rubbed Bronze

Minimum order: 1 each. All Frameless Shower Door Hinges can be combined for quantity pricing. Other finishes available on special order. **NOTE:** All Shower Door Hinges are sold by the each, not in pairs. Be sure to order a minimum of two each hinges to install one door.

Offset Bracket Wall Mount



Right Hand Mount Shown
(When Viewed from Outside of Shower)

CE Certification
(See Page 107J)

MODEL CAR05L
(Left Hand Mount)
MODEL CAR05R
(Right Hand Mount)

OFFSET BRACKET WALL MOUNT (LH) CAT. NO.	OFFSET BRACKET WALL MOUNT (RH) CAT. NO.	FINISH
CAR05LCH	CAR05RCH	Polished Chrome
CAR05LSC	CAR05RSC	Satin Chrome (Matte)
CAR05LBN	CAR05RBN	Brushed Nickel
CAR05LPN	CAR05RPN	Polished Nickel
CAR05LSN	CAR05RSN	Satin Nickel
CAR05LBR	CAR05RBR	Polished Brass
CAR05LORB	CAR05RORB	Oil Rubbed Bronze

Minimum order: 1 each. All Frameless Shower Door Hinges can be combined for quantity pricing. Other finishes available on special order. **NOTE:** All Shower Door Hinges are sold by the each, not in pairs. Be sure to order a minimum of two each hinges to install one door.

CRL HINGES FOR 1/2" (12 MM) GLASS

For Pricing Visit crlaurence.com or Call Us Toll Free at the Phone Numbers Shown on the Back Cover

CRL Senior Cardiff Series Hinges

Patent Number
5,297,313

- Larger Version of the Popular Cardiff Series to Accommodate 1/2" (12 mm) Thick Glass
- Square Corners for a Sharp, Traditional Look
- Adaptable to CRL Deluxe Header System
- Stocked in Many Popular Hardware Finishes

Senior Cardiff Series Top and Bottom Mount Pivot Hinges are designed for use with 1/2" (12 mm) thick tempered safety glass. Some advantages of the Top and Bottom Mount Pivot Hinges include the fact that they carry the majority of the door weight on the bottom hinge, and have the ability to be inset from the door edge, enabling sufficient clearance for towel bars or other projections. Senior Cardiff Hinges are self-centering, with four strong springs for maximum retention strength. The Senior Cardiff Hinge is adaptable to our Deluxe Header System for enclosures not reaching the ceiling, by utilizing our Senior Adapter Block (see page 306J). They also can be simply floor and ceiling mounted for doors that do reach the ceiling. Numerous stock finishes are carried, with custom finishes available upon demand.



*MAXIMUM CAPACITIES	1/2" (12 MM) GLASS WEIGHT	DOOR WIDTH
Using Two Hinges	145 lbs/66 kg	36"/914 mm

* NOTE: Do not exceed maximum door weight or width when choosing proper quantity of hinges.

SPECIFICATIONS:

Glass Thickness: 1/2" (12 mm) Tempered Safety Glass

Special Features: Top and Bottom Mount allows more glass exposure. Can also save on glass fabrication costs when compared against use of Side Mount Glass-to-Glass Hinges requiring more cut-outs

Construction: Solid Brass

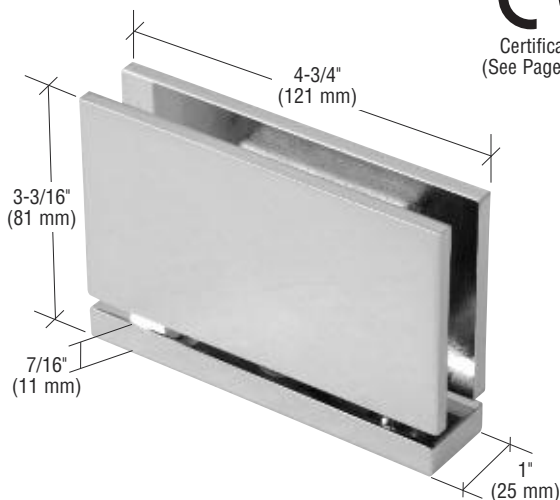
Hinge Swing: Full Rotation

Closing Type: Self-Centering When Within 15 Degrees of Closed Position

Cut-Out Required

Includes: Gaskets, Phillips Screws, Allen Screws, and Glass Fabrication Dimensions

Top or Bottom Mount



MODEL SRCAR01



5 DEGREE PIVOT PINS FOR 1/2" (12 MM) THICK GLASS

(Option for 5 degree tighter door closure)

Sold as a set. One for top hinge and one for bottom hinge.

CAT. NO.	FINISH
SRCAR01CH	Polished Chrome
SRCAR01SC	Satin Chrome (Matte)
SRCAR01BN	Brushed Nickel
SRCAR01PN	Polished Nickel
SRCAR01SN	Satin Nickel
SRCAR01BR	Polished Brass
SRCAR01SB	Satin Brass
SRCAR01ABR	Antique Brass
SRCAR01ORB	Oil Rubbed Bronze
SRCAR01W	White/Chrome Screws

Minimum order: 1 each. All Frameless Shower Door Hinges can be combined for quantity pricing. Other finishes available on special order. **NOTE:** All Shower Door Hinges are sold by the each, not in pairs. Be sure to order a minimum of two each hinges to install one door.



C.R. LAURENCE COMPANY

crlaurence.com | usalum.com

130J | crlaurence.ca crlaurence.com.au crlaurence.co.uk crlaurence.de crlaurence.eu

CRL HINGES FOR 5/16" OR 3/8" (8 OR 10 MM) GLASS

For Pricing Visit crlaurence.com or Call Us Toll Free at the Phone Numbers Shown on the Back Cover

CRL Madrid Series Hinges

Patent Number
7,607,199

- Our First Series of "Notch-Free" Frameless Shower Door Hinges
- Top and Bottom Mount Installation Exposes More Glass, Less Hardware
- Allows Three Popular Mounting Options

The Madrid Series of Hinges gives the installer three mounting options, making it the most versatile of all our Pivot Hinges. And because there are no holes to drill, or notches to cut in the glass, the Madrid is also one of the easiest-to-mount Hinges you will ever use. The Madrid's pivot can be mounted in a Header, in a Wall Block, or in a Soffit Sleeve. Take your choice, they're all very simple and provide for a quick installation. Madrid is about choices, and you'll come to discover its elegantly simple lines will blend with most any bathroom décor. There are Madrid Hinge Kits and Mounting Kits in eight of our most popular finishes, and custom finishes are available on special order.

SPECIFICATIONS:

Glass Thicknesses: 5/16" or 3/8" (8 or 10 mm)

Tempered Safety Glass

Construction: Solid Brass

Hinge Swings: Full Rotation

Closing Type: Precise Closing to 0 Degrees

No Cut-Out Required

Includes: Gaskets and Mounting Hardware



IMPORTANT ORDERING TIPS – PLEASE READ

(1) Choose either the MA01 for 3/8" (10 mm) thick glass, or the MA05 for 5/16" (8 mm) thick glass. This will give you the basic Hinge Kit for both top and bottom.

(2) Determine what your mounting application is for the top of the door, and select either the MA02 (Header Mount Kit), MA03 (Wall Block Mount Kit) or MA04 (Soffit Sleeve Mount Kit). Each of these Kits work with either 5/16" or 3/8" (8 or 10 mm) thick glass.

SUMMARY

You have ordered properly for one door when you have selected one each of either the MA01 or MA05 Hinge Kits, plus only one of the MA02, MA03 or MA04 Mount Kits (see next page).



*MAXIMUM CAPACITIES	5/16" (8 MM) GLASS		3/8" (10 MM) GLASS	
	WEIGHT	DOOR WIDTH	WEIGHT	DOOR WIDTH
Using Two Hinges	120 lbs/54 kg	36"/914 mm	120 lbs/54 kg	36"/914 mm

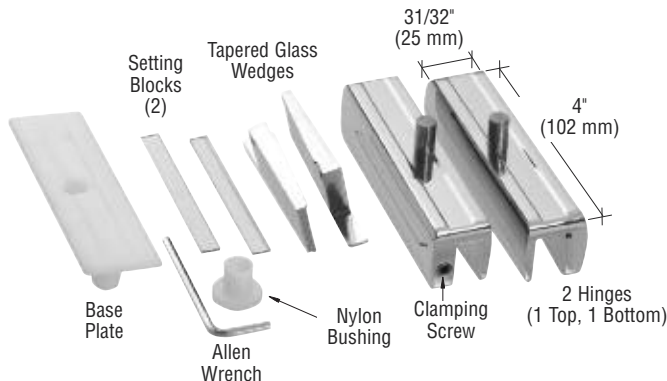
* NOTE: Do not exceed maximum door weight or width when choosing proper quantity of hinges.

FINISHES:



Most models are stocked in the finishes shown here, others are available on special order.

Madrid Series Basic Hinge Kit



NOTE: The Basic Hinge Kit you order must be for the glass thickness you intend to install, either 5/16" or 3/8" (8 or 10 mm). They are not interchangeable between glass thicknesses. See ordering tips above.

5/16" (8 MM) BASIC KIT CAT. NO.	3/8" (10 MM) BASIC KIT CAT. NO.	FINISH
MA05CH	MA01CH	Polished Chrome
MA05SC	MA01SC	Satin Chrome (Matte)
MA05BN	MA01BN	Brushed Nickel
MA05PN	MA01PN	Polished Nickel
MA05BR	MA01BR	Polished Brass
MA05ABR	MA01ABR	Antique Brass
MA05ORB	MA01ORB	Oil Rubbed Bronze
MA05GP	MA01GP	Gold Plated

Minimum order: 1 each. Hinges can be combined for quantity pricing.

CRL HINGES FOR 5/16" OR 3/8" (8 OR 10 MM) GLASS

For Pricing Visit crlaurence.com or Call Us Toll Free at the Phone Numbers Shown on the Back Cover

CRL Madrid Series Hinge Mounting Kits

- Three Mounting Options for Installation Flexibility

Patent Number
7,607,199

Header Mount Kits



Header Mount Kit Includes: 98" (2.49 m) Piece of Header Extrusion, 36" (.91 m) Piece of Filler Insert, Header Pivot Receiver, Clear Vinyl, Screws, Washers, and Anchors.

- Eight Finishes to Match Madrid Basic Hinge Kits

FINISHES:



Most models are stocked in the finishes shown here, others are available on special order.



HEADER MOUNT KIT CAT. NO.	FINISH
MA02CH	Polished Chrome
MA02SC	Satin Chrome (Matte)
MA02BN	Brushed Nickel
MA02PN	Polished Nickel
MA02BR	Polished Brass
MA02ABR	Antique Brass
MA02ORB	Oil Rubbed Bronze
MA02GP	Gold Plated
MA02KIT	Replacement Pivot Receiver Only

Minimum order: 1 each.

Wall Block Mount Kits



- Eight Finishes to Match Madrid Basic Hinge Kits



Wall Block Mount Kit Includes: Wall Block and Block Mounting Bracket, Screws, and Anchors.

WALL BLOCK MOUNT KIT CAT. NO.	FINISH
MA03CH	Polished Chrome
MA03SC	Satin Chrome (Matte)
MA03BN	Brushed Nickel
MA03PN	Polished Nickel
MA03BR	Polished Brass
MA03ABR	Antique Brass
MA03ORB	Oil Rubbed Bronze
MA03GP	Gold Plated

Minimum order: 1 each.

Soffit Sleeve Mount Kit



- Works With All Finishes



Soffit Sleeve Mount Kit Includes: Soffit Sleeve, Mounting Screw. Sleeve requires 5/8" (16 mm) Hole.

SOFFIT SLEEVE MOUNT KIT CAT. NO.	APPLICATION
MA04	Works With All Finishes

Minimum order: 1 each.



C.R. LAURENCE COMPANY

crlaurence.com | usalum.com

132J | crlaurence.ca crlaurence.com.au crlaurence.co.uk crlaurence.de crlaurence.eu

CRL HINGES FOR 5/16" OR 3/8" (8 OR 10 MM) GLASS

For Pricing Visit crlaurence.com or Call Us Toll Free at the Phone Numbers Shown on the Back Cover

CRL Madrid Series Hinge/Clamp

- Horizontal Adjustability Allows Use of "Pre-Ordered" Glass Widths
- No Hinge Cut-Out or Holes for Door
- Allows Header Free Design

new

Patent Number
7,607,199



The combination of a Hinge/Clamp continues with the Madrid Series. This new model has virtually unlimited horizontal adjustment and requires no hinge cut-out or holes in the glass for the door. The door overlaps the fixed panel it hinges from, so the amount the door overlaps is the adjustability factor. This allows the use of pre-ordered glass panels of a designated width, then used in conjunction with the door size of your choice. Mandatory use of 1" (25.4 mm) or 1.5" (38.1 mm) height heavy wall Dry Glaze U-Channel and Vinyl ensures the rigidity required for this system (see page below).

The MA06 Model is for use with a 3/8" (10 mm) thick door, and an adjacent 1/2" (12 mm) thick panel. The MA07 Model is for use with a 5/16" (8 mm) thick door and an adjacent 3/8" (10 mm) thick panel. See crlaurence.com for mounting criteria.

SPECIFICATIONS:

Glass Thickness for MA06 Model: 3/8" (10 mm) Door and 1/2" (12 mm) Panel(s) Tempered Safety Glass

Glass Thickness for MA07 Model: 5/16" (8 mm) Door and 3/8" (10 mm) Panel(s) Tempered Safety Glass

Material: Solid Brass

Hinge Swings: Out Only

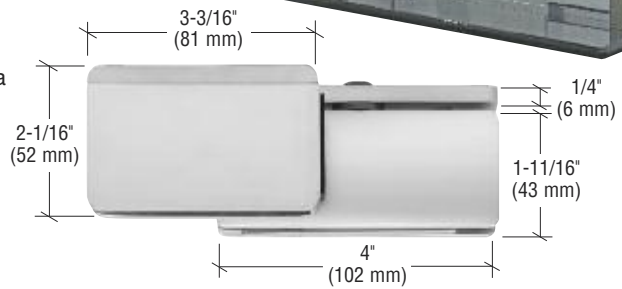
Closing Type: Tight Closure to Strike Jamb (Not Supplied)

No Cut-Out for Door; Fabrication Required for Fixed Panel Being Hinged From

Maximum Door Size: Width 36" (914 mm),

Height 84" (2.13 m) - Do Not Exceed Either

Includes: Gaskets and Mounting Hardware



Sold as a Set (One Top, One Bottom)

FINISHES:



Most models are stocked in the finishes shown here, others are available on special order.

FOR 3/8" (10 MM) DOOR AND 1/2" (12 MM) FIXED PANEL

*LEFT HAND CAT. NO.	*RIGHT HAND CAT. NO.	FINISH
MA06LCH	MA06RCH	Polished Chrome
MA06LSC	MA06RSC	Satin Chrome (Matte)
MA06LBN	MA06RBN	Brushed Nickel
MA06LBR	MA06RBR	Polished Brass
MA06LORB	MA06RORB	Oil Rubbed Bronze

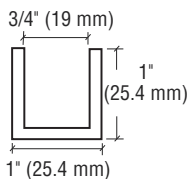
Minimum order: 1 set. *Handing viewed from outside of shower.

FOR 5/16" (8 MM) DOOR AND 3/8" (10 MM) FIXED PANEL

*LEFT HAND CAT. NO.	*RIGHT HAND CAT. NO.	FINISH
MA07LCH	MA07RCH	Polished Chrome
MA07LSC	MA07RSC	Satin Chrome (Matte)
MA07LBN	MA07RBN	Brushed Nickel
MA07LBR	MA07RBR	Polished Brass

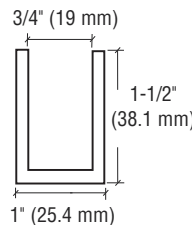
Minimum order: 1 set. *Handing viewed from outside of shower.

CRL Dry Glaze U-Channels



WU3 SHALLOW DRY GLAZE U-CHANNEL

WU1 DEEP DRY GLAZE U-CHANNEL



- Choice of Four Finishes, in 120" (3.05 m) Lengths

WU3 SHALLOW U-CHANNEL CAT. NO.	FINISH	WU1 DEEP U-CHANNEL CAT. NO.
WU3SASL	Satin Anodized	WU1SASL
WU3BASL	Brite Anodized	WU1BASL
WU3BSASL	Brushed Nickel Anodized	WU1BSASL
WU3PORBSL	Painted Oil Rubbed Bronze	WU1PORBSL

Minimum Order: 1 each. Finishes can be combined for quantity pricing. A Packing Charge will be added to orders of fewer than five combined lengths. Stock lengths longer than 108" (2.74 m) must ship common carrier.

CRL Roll-In Glazing Vinyl

This is a flexible gray vinyl used to secure glass in Dry Glaze U-Channel.



TOP LOAD ROLL-IN GLAZING GASKET

CAT. NO.	GLASS THICKNESS	ROLL LENGTH
RGG38100	3/8" (10 mm)	100' (30.5 m)
RGG12100	1/2" (12 mm)	100' (30.5 m)

Minimum Order: 1 Roll.

CRL HINGES FOR 5/16" TO 3/8" (8 TO 10 MM) GLASS

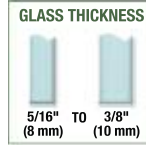
For Pricing Visit crlaurence.com or Call Us Toll Free at the Phone Numbers Shown on the Back Cover

CRL Rondo Series Hinges

Patent Number 5,297,313

- "Round Shaped" Top and Bottom Mount Pivot Hinges
- Unique Design Allows Matching to Custom Decors
- Contain Same Internal Mechanism as Our Popular Prima Series Top and Bottom Mount Pivot Hinges
- Adaptable to CRL Deluxe Header System

These beautifully crafted Pivot Hinges are designed for use with 5/16" (8 mm) to 3/8" (10 mm) tempered safety glass, with solid brass construction for superior quality and service performance. Finely manufactured to the most precise tolerances, the pivot mechanism allows fingertip smooth operation with a solid feel. There is a firm "memory" for alignment of door-to-closed position when within 15 degrees of center. Optional 5 Degree Pivot Pin Sets may be ordered separately (see page 117J). Hinges are adaptable to the Deluxe Header System (see pages 304J-307J) when enclosure does not go all the way to the ceiling.



Certification (See Page 107J)

SPECIFICATIONS

Glass Thickness Range: 5/16" (8 mm) to 3/8" (10 mm)
Tempered Safety Glass

Special Feature: Top and Bottom Mount design allows more glass to show. Use of these hinges will reduce quantity of cut-outs required when compared to standard side mount glass-to-glass hinges.

Material: Solid Brass

Hinge Swings: Full Rotation

Closing Type: Self-Centering When Within 15 Degrees of Closed Position

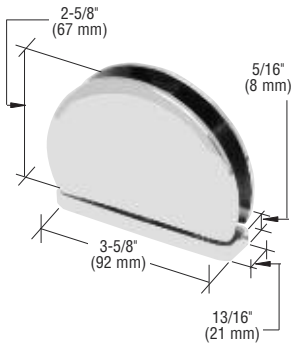
Cut-Out Required

Includes: Gaskets, Phillips Screws, Allen Screws, and Glass Fabrication Dimensions

*MAXIMUM CAPACITIES	5/16" (8 MM) GLASS		3/8" (10 MM) GLASS	
	WEIGHT	DOOR WIDTH	WEIGHT	DOOR WIDTH
Using Two Hinges	100 lbs/45 kg	31" / 787 mm	100 lbs/45 kg	31" / 787 mm

*NOTE: Do not exceed maximum door weight or width when choosing proper quantity of hinges.

Top or Bottom Mount

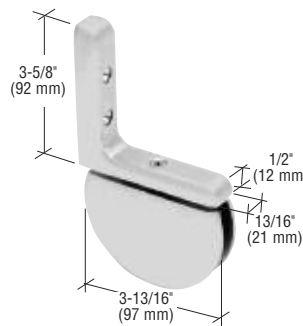


CAT. NO.	FINISH
RON001CH	Polished Chrome
RON001SC	Satin Chrome (Matte)
RON001BN	Brushed Nickel
RON001BR	Polished Brass
RON001SB	Satin Brass
RON001ABR	Antique Brass
RON001W	White/Chrome Screws

Minimum order: 1 each. All Frameless Shower Door Hinges can be combined for quantity pricing. Other finishes available on special order. **NOTE:** All Shower Door Hinges are sold by the each, not in pairs. Be sure to order a minimum of two each hinges to install one door.

MODEL RON001

Wall Mount

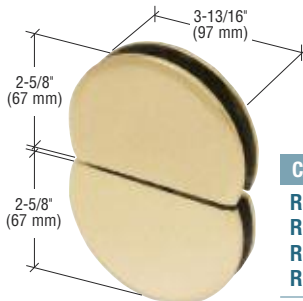


CAT. NO.	FINISH
RON003CH	Polished Chrome
RON003BN	Brushed Nickel
RON003BR	Polished Brass
RON003ABR	Antique Brass
RON003W	White/Chrome Screws

Minimum order: 1 each. All Frameless Shower Door Hinges can be combined for quantity pricing. Other finishes available on special order. **NOTE:** All Shower Door Hinges are sold by the each, not in pairs. Be sure to order a minimum of two each hinges to install one door.

MODEL RON003

Glass-to-Glass

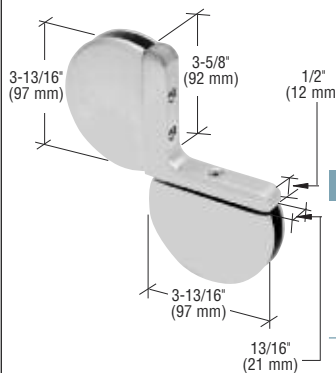


CAT. NO.	FINISH
RON002SC	Satin Chrome (Matte)
RON002BR	Polished Brass
RON002GP	Gold Plated
RON002W	White/Chrome Screws

Minimum order: 1 each. All Frameless Shower Door Hinges can be combined for quantity pricing. Other finishes available on special order. **NOTE:** All Shower Door Hinges are sold by the each, not in pairs. Be sure to order a minimum of two each hinges to install one door.

MODEL RON002

Inline Panel Mount



CAT. NO.	FINISH
RON004CH	Polished Chrome
RON004SC	Satin Chrome (Matte)
RON004BR	Polished Brass
RON004GP	Gold Plated
RON004W	White/Chrome Screws

Minimum order: 1 each. All Frameless Shower Door Hinges can be combined for quantity pricing. Other finishes available on special order. **NOTE:** All Shower Door Hinges are sold by the each, not in pairs. Be sure to order a minimum of two each hinges to install one door.

MODEL RON004



C.R. LAURENCE COMPANY

crlaurence.com | usalum.com

134J | crlaurence.ca crlaurence.com.au crlaurence.co.uk crlaurence.de crlaurence.eu

CRL HINGES FOR 5/16" TO 3/8" (8 TO 10 MM) GLASS

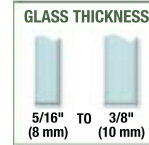
For Pricing Visit crlaurence.com or Call Us Toll Free at the Phone Numbers Shown on the Back Cover

CRL Shell Series Hinges

- Uniquely Designed Top and Bottom Mount Pivot Hinges Allow Matching of Custom Décor
- Contain Same Internal Mechanism as Our Popular Prima Series Top and Bottom Mount Pivot Hinges
- Adaptable to CRL Deluxe Header System

Our beautifully crafted Shell Series Pivot Hinges are designed for use with 5/16" to 3/8" (8 to 10 mm) tempered safety glass, and feature solid brass construction for superior quality and service performance. Finely manufactured to the most precise tolerances, the pivot mechanism allows fingertip smooth operation with a solid feel. There is a firm "memory" for alignment of door-to-closed position when within 15 degrees of center. Optional 5 Degree Pivot Pin Sets may be ordered separately (see page 117J). Hinges are adaptable to the Deluxe Header System (see pages 304J-307J) when enclosure does not go all the way to the ceiling.

Patent Number
5,297,313



CE
Certification
(See Page 107J)



SPECIFICATIONS

Glass Thickness Range: 5/16" to 3/8" (8 to 10 mm)

Tempered Safety Glass

Special Feature: Top and Bottom Mount design allows more glass to show. Use of these hinges will reduce quantity of cut-outs required when compared to standard side mount glass-to-glass hinges.

Material: Solid Brass

Hinge Swings: Full Rotation

Closing Type: Self-Centering When Within 15 Degrees of Closed Position

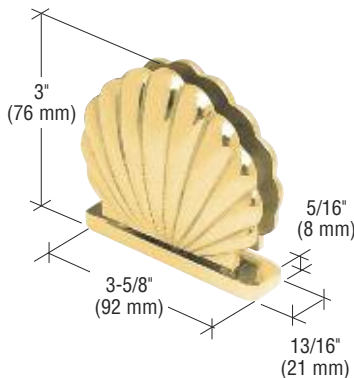
Cut-Out Required

Includes: Gaskets, Phillips Screws, Allen Screws, and Glass Fabrication Dimensions

*MAXIMUM CAPACITIES	5/16" (8 MM) GLASS		3/8" (10 MM) GLASS	
	WEIGHT	DOOR WIDTH	WEIGHT	DOOR WIDTH
Using Two Hinges	100 lbs/45 kg	31"/787 mm	100 lbs/45 kg	31"/787 mm

*NOTE: Do not exceed maximum door weight or width when choosing proper quantity of hinges.

Top or Bottom Mount



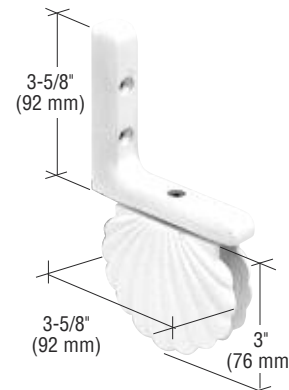
MODEL SHE001



CAT. NO.	FINISH
SHE001CH	Polished Chrome
SHE001SC	Satin Chrome (Matte)
SHE001BN	Brushed Nickel
SHE001BR	Polished Brass
SHE001GP	Gold Plated
SHE001W	White/Chrome Screws

Minimum order: 1 each. All Frameless Shower Door Hinges can be combined for quantity pricing. Other finishes available on special order. **NOTE:** All Shower Door Hinges are sold by the each, not in pairs. Be sure to order a minimum of two each hinges to install one door.

Wall Mount



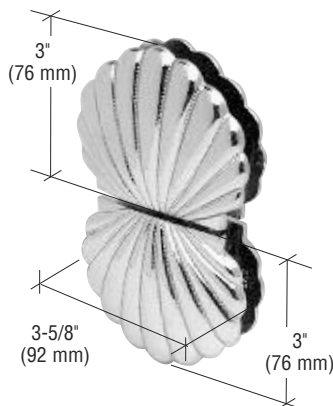
MODEL SHE003



CAT. NO.	FINISH
SHE003CH	Polished Chrome
SHE003SC	Satin Chrome (Matte)
SHE003BN	Brushed Nickel
SHE003BR	Polished Brass
SHE003GP	Gold Plated
SHE003W	White/Chrome Screws

Minimum order: 1 each. All Frameless Shower Door Hinges can be combined for quantity pricing. Other finishes available on special order. **NOTE:** All Shower Door Hinges are sold by the each, not in pairs. Be sure to order a minimum of two each hinges to install one door.

Glass-to-Glass



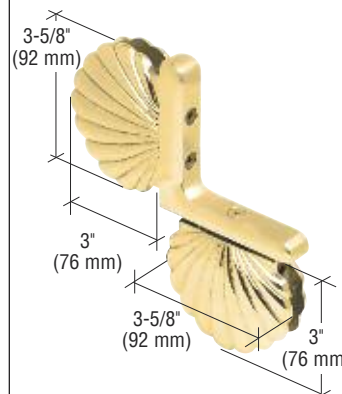
MODEL SHE002



CAT. NO.	FINISH
SHE002CH	Polished Chrome
SHE002SC	Satin Chrome (Matte)
SHE002BR	Polished Brass
SHE002GP	Gold Plated
SHE002W	White/Chrome Screws

Minimum order: 1 each. All Frameless Shower Door Hinges can be combined for quantity pricing. Other finishes available on special order. **NOTE:** All Shower Door Hinges are sold by the each, not in pairs. Be sure to order a minimum of two each hinges to install one door.

Inline Panel Mount



MODEL SHE004



CAT. NO.	FINISH
SHE004CH	Polished Chrome
SHE004SC	Satin Chrome (Matte)
SHE004BR	Polished Brass
SHE004GP	Gold Plated
SHE004W	White/Chrome Screws

Minimum order: 1 each. All Frameless Shower Door Hinges can be combined for quantity pricing. Other finishes available on special order. **NOTE:** All Shower Door Hinges are sold by the each, not in pairs. Be sure to order a minimum of two each hinges to install one door.

CRL HINGES FOR 5/16" TO 1/2" (8 TO 12 MM) GLASS

For Pricing Visit crlaurence.com or Call Us Toll Free at the Phone Numbers Shown on the Back Cover

CRL Geneva Series Hinges

- Our Most Popular Hinge Series
- Choice of Models That Close to Standard Closing Position, or Models That Close 5 Degrees Further Into Shower Enclosure
- Reversible Pivot Pin Allows Installation Options

The Geneva Series of professional Hinges is able to accommodate 5/16", 3/8" or 1/2" (8, 10 or 12 mm) tempered glass. They are made of solid brass with all moving parts (pins and springs) in stainless steel.

A variety of six styles give design flexibility, including three different Wall Mount and three different Glass-to-Glass models. Geneva Hinges are self-centering, and contain a Reversible 5 Degree Pivot Pin (see below). In addition, Custom Pivot Pins are available to accommodate 'off-angle' installations (see below).



SPECIFICATIONS

Glass Thickness Range: 5/16" to 1/2" (8 to 12 mm)
Tempered Safety Glass

Material: Solid Brass

Hinge Swings: 90 Degrees Inwards and Outwards

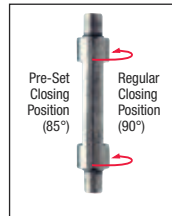
Closing Type: Self-Centering When Within 15 Degrees of Closed Position

Cut-Out Required

Includes: Gaskets, Phillips Screws, Allen Screws, and Glass Fabrication Dimensions

*MAXIMUM CAPACITIES	5/16" AND 3/8" (8 AND 10 MM) GLASS		1/2" (12 MM) GLASS	
	WEIGHT	DOOR WIDTH	WEIGHT	DOOR WIDTH
Using Two Hinges	80 lbs/36 kg	28"/711 mm	80 lbs/36 kg	28"/711 mm
Using Three Hinges	120 lbs/54 kg	32"/813 mm	120 lbs/54 kg	32"/813 mm

* NOTE: Do not exceed maximum door weight or width when choosing proper quantity of hinges.



STANDARD REVERSIBLE PIVOT PIN

Each Geneva Hinge contains a Reversible Pivot Pin. One side of the Pin is marked at 90 degrees. The opposite side of the Pin is marked 85 degrees. Standard Geneva Hinges come with the 90 degree side activated. Pre-Set Models come with the Pin pre-set for 85 degrees (5 degrees tighter closure into shower interior). The Pin can be rotated (not flipped upside down) to activate the other side.



Certification (See Page 107J)



CUSTOM PIVOT PIN

Custom Pivot Pins are available to accommodate "off-angle" installations. As an example, you may encounter a wall that will not meet your door at 90 degrees. If the standard 5 Degree Pivot Pin contained in the hinge does not assist in closing the door to the position desired, you may specify the angle needed for a Custom Pivot Pin (up to 45 degrees). Our Geneva Adjustable Hinge (see page 142J) may also be the solution to your "off-angle" installation. Call for details.

• Complete Your Install With Our Full Line of Geneva Hardware

Geneva Adjustable Series

See pages 142J-144J



Geneva Pony Wall Mount Series

See page 141J



Square Style Heavy-Duty Glass Clamps

See pages 274J-277J



Glass Brackets

See page 288J



C.R. LAURENCE COMPANY

crlaurence.com | usalum.com

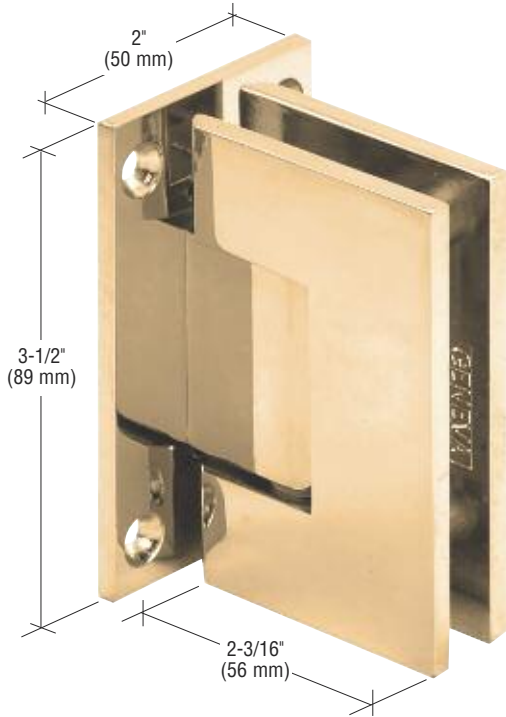
136J | crlaurence.ca crlaurence.com.au crlaurence.co.uk crlaurence.de crlaurence.eu

CRL HINGES FOR 5/16" TO 1/2" (8 TO 12 MM) GLASS

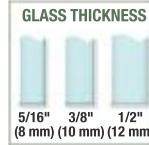
For Pricing Visit crlaurence.com or Call Us Toll Free at the Phone Numbers Shown on the Back Cover

CRL Geneva Series Wall Mount Hinges

Wall Mount Full Back Plate



Certification (See Page 107J)



Brass

See the complete range of beautiful shower hardware finishes on page 114J



Stocked in two models:

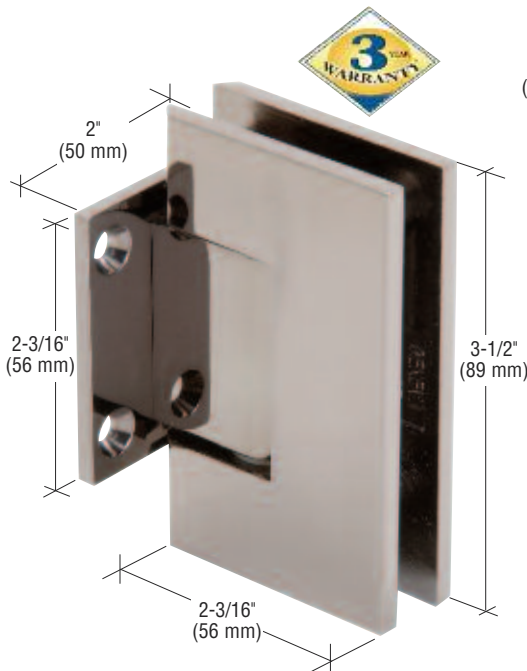
Standard
MODEL GEN037
Factory set for standard closing position

5 Degree Pre-Set
MODEL GEN537
Factory set for 5 degree tighter closure into shower interior

STANDARD WALL MOUNT CAT. NO.	5 DEGREE PRE-SET WALL MOUNT CAT. NO.	FINISH
GEN037CH	GEN537CH	Polished Chrome
GEN037SC	GEN537SC	Satin Chrome (Matte)
GEN037BSC	GEN537BSC	Brushed Satin Chrome
GEN037CBA	---	Polished Chrome/Polished Brass Center Block
GEN037BN	GEN537BN	Brushed Nickel
GEN037PN	GEN537PN	Polished Nickel
GEN037SN	---	Satin Nickel
GEN037ABN	GEN537ABN	Antique Brushed Nickel
GEN037NBNA	---	Brushed Nickel/Polished Brass Center Block
GEN037BR	GEN537BR	Polished Brass
GEN037SB	GEN537SB	Satin Brass
GEN037ABR	GEN537ABR	Antique Brass
GEN037UBR	GEN537UBR	Ultra Brass
GEN037ORB	GEN537ORB	Oil Rubbed Bronze
GEN037ABRZ	---	Antique Bronze
GEN037BBRZ	---	Brushed Bronze
GEN037ABCO	---	Antique Brushed Copper
GEN037BCO	GEN537BCO	Brushed Copper
GEN037PCO	---	Polished Copper
GEN037GP	GEN537GP	Gold Plated
GEN037GM	---	Gun Metal
GEN037WC	---	White/Chrome Center Block and Screws
GEN037AW	---	All White
GEN037BL	---	Black/Chrome Center Block and Screws
GEN037ABL	---	All Black

Minimum order: 1 each. All Frameless Shower Door Hinges can be combined for quantity pricing. Other finishes available on special order. **NOTE:** All Shower Door Hinges are sold by the each, not in pairs. Be sure to order a minimum of two each hinges to install one door.

Wall Mount Short Back Plate

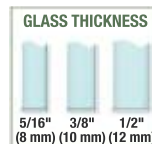


Certification (See Page 107J)

Stocked in two models:

Standard
MODEL GEN074
Factory set for standard closing position

5 Degree Pre-Set
MODEL GEN574
Factory set for 5 degree tighter closure into shower interior



STANDARD WALL MOUNT CAT. NO.	5 DEGREE PRE-SET WALL MOUNT CAT. NO.	FINISH
GEN074CH	GEN574CH	Polished Chrome
GEN074SC	GEN574SC	Satin Chrome (Matte)
GEN074BSC	GEN574BSC	Brushed Satin Chrome
GEN074CBA	---	Polished Chrome/Polished Brass Center Block
GEN074BN	GEN574BN	Brushed Nickel
GEN074PN	GEN574PN	Polished Nickel
GEN074SN	---	Satin Nickel
GEN074ABN	---	Antique Brushed Nickel
GEN074BR	GEN574BR	Polished Brass
GEN074SB	GEN574SB	Satin Brass
GEN074ABR	GEN574ABR	Antique Brass
GEN074UBR	GEN574UBR	Ultra Brass
GEN074ORB	GEN574ORB	Oil Rubbed Bronze
GEN074ABRZ	---	Antique Bronze
GEN074BBRZ	---	Brushed Bronze
GEN074ABCO	---	Antique Brushed Copper
GEN074PCO	---	Polished Copper
GEN074GP	---	Gold Plated
GEN074GM	---	Gun Metal
GEN074WC	---	White/Chrome Center Block and Screws
GEN074AW	---	All White
GEN074BL	---	Black/Chrome Center Block and Screws
GEN074ABL	---	All Black

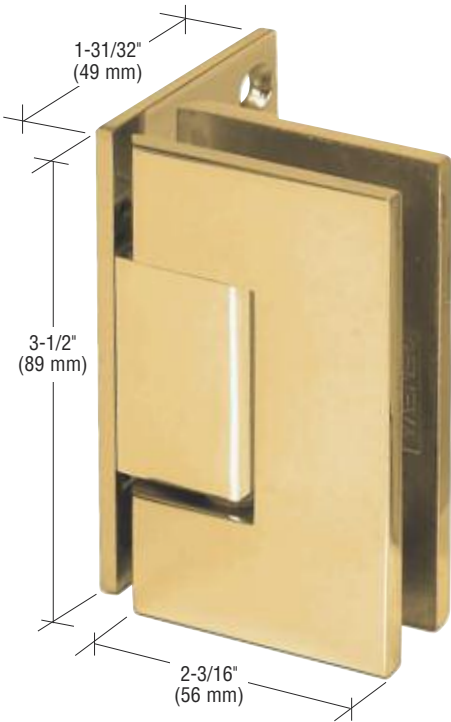
Minimum order: 1 each. All Frameless Shower Door Hinges can be combined for quantity pricing. Other finishes available on special order. **NOTE:** All Shower Door Hinges are sold by the each, not in pairs. Be sure to order a minimum of two each hinges to install one door.

CRL HINGES FOR 5/16" TO 1/2" (8 TO 12 MM) GLASS

For Pricing Visit crlaurence.com or Call Us Toll Free at the Phone Numbers Shown on the Back Cover

CRL Geneva Series Wall Mount Hinges

Wall Mount Offset Back Plate



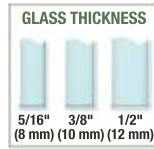
Stocked in two models:

Standard
MODEL GEN044
Factory set for standard closing position

5 Degree Pre-Set
MODEL GEN544
Factory set for 5 degree tighter closure into shower interior



Certification (See Page 107J)



STANDARD WALL MOUNT CAT. NO.	5 DEGREE PRE-SET WALL MOUNT CAT. NO.	FINISH
GEN044CH	GEN544CH	Polished Chrome
GEN044SC	GEN544SC	Satin Chrome (Matte)
GEN044BSC	GEN544BSC	Brushed Satin Chrome
GEN044CBA	---	Polished Chrome/Polished Brass Center Block
GEN044BN	GEN544BN	Brushed Nickel
GEN044PN	GEN544PN	Polished Nickel
GEN044SN	---	Satin Nickel
GEN044ABN	---	Antique Brushed Nickel
GEN044BNBA	---	Brushed Nickel/Polished Brass Center Block
GEN044BR	GEN544BR	Polished Brass
GEN044SB	---	Satin Brass
GEN044ABR	GEN544ABR	Antique Brass
GEN044UBR	---	Ultra Brass
GEN044ORB	GEN544ORB	Oil Rubbed Bronze
GEN044ABRZ	GEN544ABRZ	Antique Bronze
GEN044BBRZ	---	Brushed Bronze
GEN044ABC0	---	Antique Brushed Copper
GEN044GP	GEN544GP	Gold Plated
GEN044WC	GEN544WC	White/Polished Chrome Center Block and Screws
GEN044AW	---	All White
---	GEN544BL	Black/Polished Chrome Center Block and Screws
GEN044ABL	---	All Black

Minimum order: 1 each. All Frameless Shower Door Hinges can be combined for quantity pricing. Other finishes available on special order. **NOTE:** All Shower Door Hinges are sold by the each, not in pairs. Be sure to order a minimum of two each hinges to install one door.



C.R. LAURENCE COMPANY

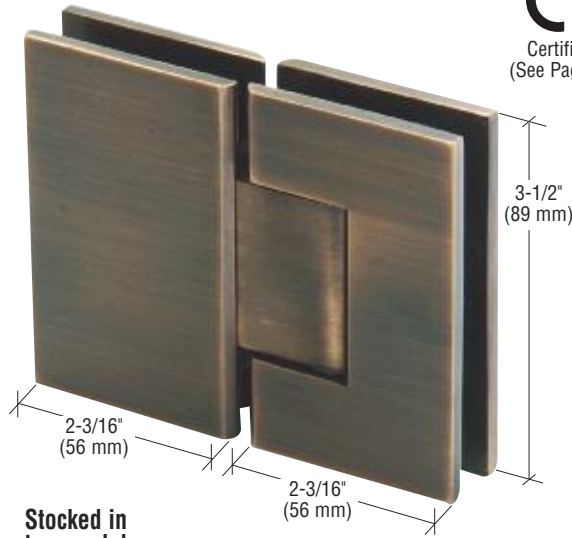
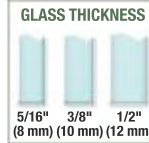
crlaurence.com | usalum.com

138J | crlaurence.ca crlaurence.com.au crlaurence.co.uk crlaurence.de crlaurence.eu

CRL HINGES FOR 5/16" TO 1/2" (8 TO 12 MM) GLASS

For Pricing Visit crlaurence.com or Call Us Toll Free at the Phone Numbers Shown on the Back Cover

CRL Geneva Series Glass-to-Glass Hinges 180 Degree Glass-to-Glass



Stocked in two models:

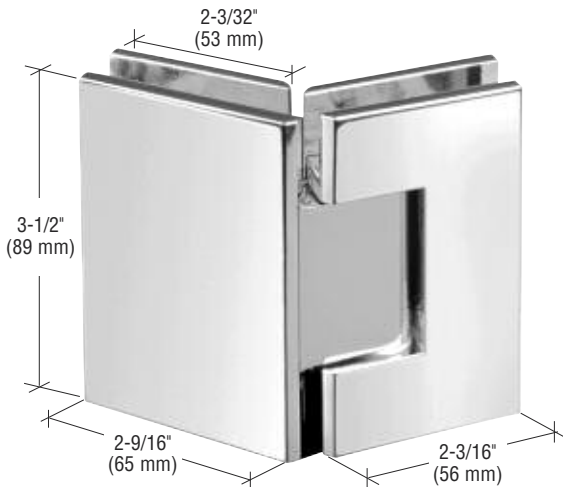
Standard
MODEL GEN180
Factory set for standard closing position

5 Degree Pre-Set
MODEL GEN580
Factory set for 5 degree tighter closure into shower interior

STANDARD 180 DEGREE GLASS-TO-GLASS CAT. NO.	5 DEGREE PRE-SET 180 DEGREE GLASS-TO-GLASS CAT. NO.	FINISH
GEN180CH	GEN580CH	Polished Chrome
GEN180SC	GEN580SC	Satin Chrome (Matte)
GEN180BSC	GEN580BSC	Brushed Satin Chrome
GEN180CBA	---	Polished Chrome/Polished Brass Center Block
GEN180BN	GEN580BN	Brushed Nickel
GEN180PN	GEN580PN	Polished Nickel
GEN180SN	---	Satin Nickel
GEN180ABN	---	Antique Brushed Nickel
GEN180BR	GEN580BR	Polished Brass
GEN180SB	GEN580SB	Satin Brass
GEN180ABR	GEN580ABR	Antique Brass
GEN180UBR	GEN580UBR	Ultra Brass
GEN180ORB	GEN580ORB	Oil Rubbed Bronze
GEN180ABRZ	---	Antique Bronze
GEN180BBRZ	---	Brushed Bronze
GEN180ABCO	GEN580ABCO	Antique Brushed Copper
GEN180BCO	---	Brushed Copper
GEN180PCO	---	Polished Copper
GEN180GP	GEN580GP	Gold Plated
GEN180GM	---	Gun Metal
GEN180WC	---	White/Chrome Center Block and Screws
GEN180AW	---	All White
GEN180BL	---	Black/Chrome Center Block and Screws
GEN180ABL	---	All Black

Minimum order: 1 each. All Frameless Shower Door Hinges can be combined for quantity pricing. Other finishes available on special order. **NOTE:** All Shower Door Hinges are sold by the each, not in pairs. Be sure to order a minimum of two each hinges to install one door.

135 Degree Glass-to-Glass



Stocked in two models:

Standard
MODEL GEN045
Factory set for standard closing position

5 Degree Pre-Set
MODEL GEN545
Factory set for 5 degree tighter closure into shower interior

STANDARD 135 DEGREE GLASS-TO-GLASS CAT. NO.	5 DEGREE PRE-SET 135 DEGREE GLASS-TO-GLASS CAT. NO.	FINISH
GEN045CH	GEN545CH	Polished Chrome
GEN045SC	GEN545SC	Satin Chrome (Matte)
GEN045BSC	GEN545BSC	Brushed Satin Chrome
GEN045BN	GEN545BN	Brushed Nickel
GEN045PN	GEN545PN	Polished Nickel
GEN045SN	GEN545SN	Satin Nickel
GEN045BR	GEN545BR	Polished Brass
GEN045SB	GEN545SB	Satin Brass
GEN045ABR	GEN545ABR	Antique Brass
GEN045UBR	---	Ultra Brass
GEN045ORB	GEN545ORB	Oil Rubbed Bronze
GEN045ABRZ	GEN545ABRZ	Antique Bronze
GEN045BBRZ	---	Brushed Bronze
GEN045ABCO	GEN545ABCO	Antique Brushed Copper
GEN045BCO	---	Brushed Copper
GEN045PCO	---	Polished Copper
GEN045GP	GEN545GP	Gold Plated
GEN045GM	---	Gun Metal
GEN045WC	---	White/Chrome Center Block and Screws
---	GEN545AW	All White
GEN045ABL	---	All Black

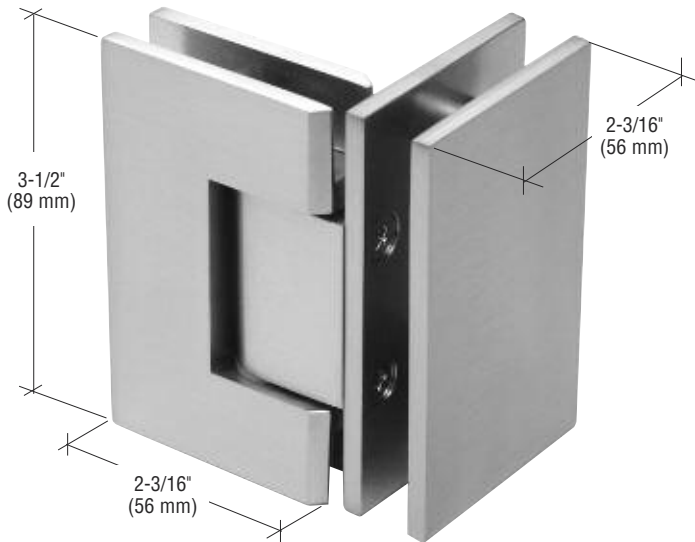
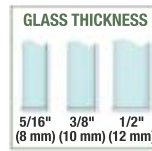
Minimum order: 1 each. All Frameless Shower Door Hinges can be combined for quantity pricing. Other finishes available on special order. **NOTE:** All Shower Door Hinges are sold by the each, not in pairs. Be sure to order a minimum of two each hinges to install one door.

CRL HINGES FOR 5/16" TO 1/2" (8 TO 12 MM) GLASS

For Pricing Visit crlaurence.com or Call Us Toll Free at the Phone Numbers Shown on the Back Cover

CRL Geneva Series Glass-to-Glass Hinges

90 Degree Glass-to-Glass



MODEL GEN092
Opens 90 degrees
outwards and inwards

FINISHES:



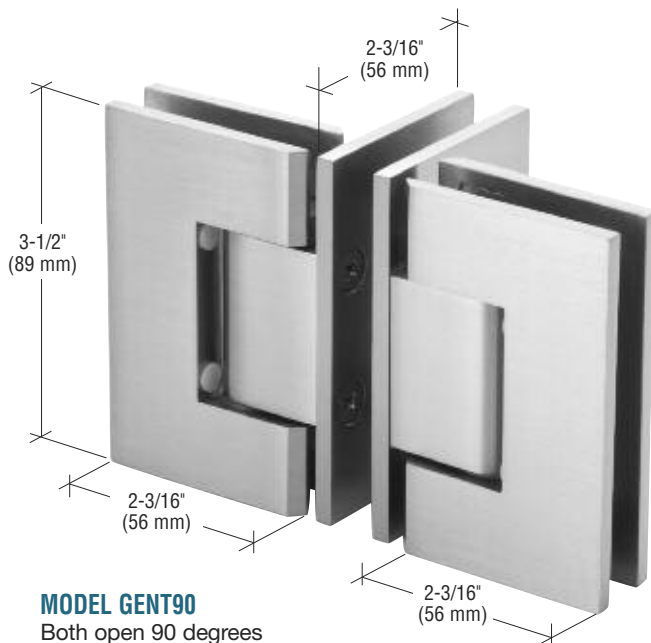
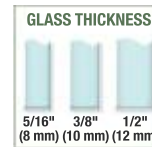
Most models are stocked in the finishes shown here, others are available on special order.

CAT. NO.	FINISH
GEN092CH	Polished Chrome
GEN092SC	Satin Chrome (Matte)
GEN092BSC	Brushed Satin Chrome
GEN092BN	Brushed Nickel
GEN092PN	Polished Nickel
GEN092BR	Polished Brass
GEN092SB	Satin Brass
GEN092ABR	Antique Brass
GEN092UBR	Ultra Brass
GEN092ORB	Oil Rubbed Bronze
GEN092ABC0	Antique Brushed Copper
GEN092GP	Gold Plated
GEN092ABL	All Black

Minimum order: 1 each. All Frameless Shower Door Hinges can be combined for quantity pricing. Other finishes available on special order. **NOTE:** All Shower Door Hinges are sold by the each, not in pairs. Be sure to order a minimum of two each hinges to install one door.

"T" Configuration Glass-to-Glass

- Ideal for "T" Configuration Double Door Enclosures



MODEL GENT90
Both open 90 degrees
outwards and inwards



new

FINISHES:



Most models are stocked in the finishes shown here, others are available on special order.

CAT. NO.	FINISH
GENT90CH	Polished Chrome
GENT90BN	Brushed Nickel
GENT90BR	Polished Brass
GENT90ORB	Oil Rubbed Bronze

Minimum order: 1 each. All Frameless Shower Door Hinges can be combined for quantity pricing. Other finishes available on special order. **NOTE:** All Shower Door Hinges are sold by the each, not in pairs. Be sure to order a minimum of two each hinges to install one door.



C.R. LAURENCE COMPANY

crlaurence.com | usalum.com

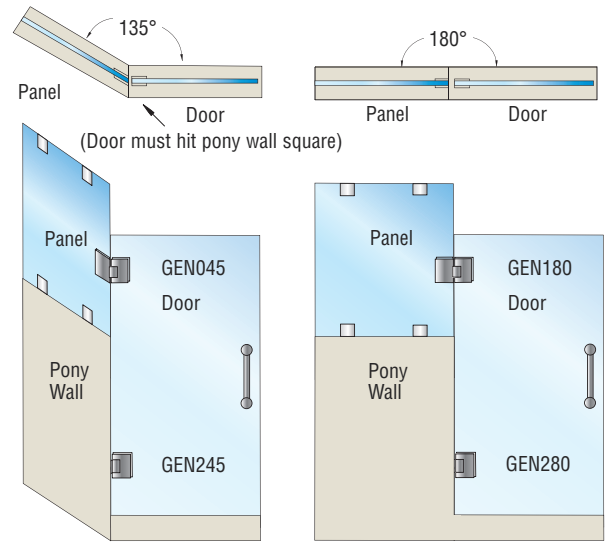
140J | crlaurence.ca crlaurence.com.au crlaurence.co.uk crlaurence.de crlaurence.eu

CRL HINGES FOR 5/16" TO 1/2" (8 TO 12 MM) GLASS

For Pricing Visit crlaurence.com or Call Us Toll Free at the Phone Numbers Shown on the Back Cover

CRL Geneva Series Pony Wall Hinges

- Eliminates Need to Cut Into Tile or Marble to Recess Wall Mounting Plates of Regular Geneva Series Hinge
- Modified Hinge Mechanism Allows Matching the Pivot Point of Hinge Installed Above It
- Has Same Reversible 5 Degree Pivot Pin as Regular Geneva Hinge



These hinges can be used in place of the standard wall-to-glass hinges normally utilized when using wall mount hinges on a pony wall, and glass-to-glass hinges above them. The GEN280 model is for use with 180 degree applications, while the GEN245 is for use with 135 degree applications. Previously in this application the tile or marble had to be cut to allow proper installation. Geneva Pony Wall Hinges are modified with a shortened center block (containing only one centering spring) and a small back plate (with only two mounting holes). Each hinge has the same Reversible 5 Degree Pivot Pin as our standard Geneva Hinge.

NOTE: For 135 degree installations it is required that the face of the pony wall be at a 45 degree angle to the wall, and a 90 degree angle to the door plane (see diagram).

SPECIFICATIONS

Glass Thickness: 5/16" (8 mm) to 1/2" (12 mm)
Tempered Safety Glass

Special Feature: Mounted to surface of tile or marble as opposed to having to cut into wall to recess the back plate

Material: Solid Brass

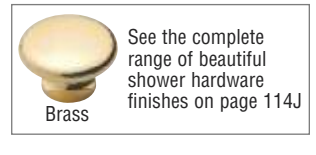
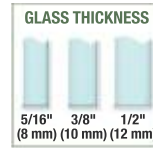
Hinge Swings: 90 Degrees Inwards and Outwards

Cut-Out Required

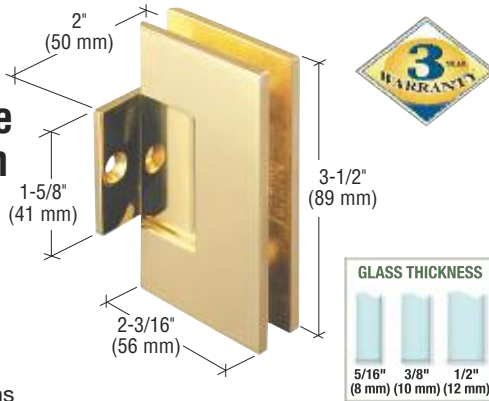
Includes: Gaskets, Phillips Screws, Allen Screws, and Glass Fabrication Dimensions

*MAXIMUM CAPACITIES	5/16" AND 3/8" (8 AND 10 MM) GLASS		1/2" (12 MM) GLASS	
	WEIGHT	DOOR WIDTH	WEIGHT	DOOR WIDTH
Using Two Hinges	80 lbs/36 kg	28"/711 mm	80 lbs/36 kg	28"/711 mm
Using Three Hinges	120 lbs/54 kg	32"/813 mm	120 lbs/54 kg	32"/813 mm

* NOTE: Do not exceed maximum door weight or width when choosing proper quantity of hinges.



Pony Wall Mount for 135 Degree Application



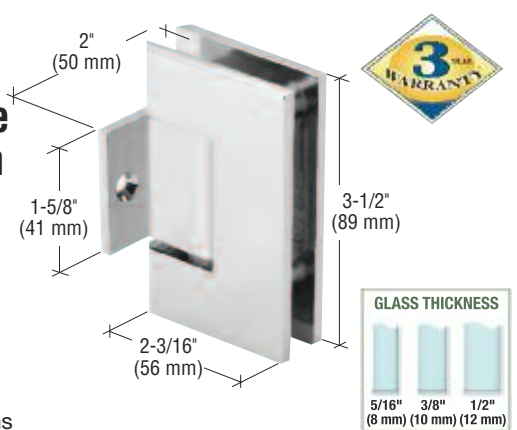
MODEL GEN245

For use in 135 degree applications

CAT. NO.	FINISH
GEN245CH	Polished Chrome
GEN245BN	Brushed Nickel
GEN245PN	Polished Nickel
GEN245BR	Polished Brass
GEN245ABR	Antique Brass
GEN245ORB	Oil Rubbed Bronze
GEN245ABCO	Antique Brushed Copper

Minimum order: 1 each. All Frameless Shower Door Hinges can be combined for quantity pricing. Other finishes available on special order. **NOTE:** All Shower Door Hinges are sold by the each, not in pairs. Be sure to order a minimum of two each hinges to install one door.

Pony Wall Mount for 180 Degree Application



MODEL GEN280

For use in 180 degree applications

CAT. NO.	FINISH
GEN280CH	Polished Chrome
GEN280BSC	Brushed Satin Chrome
GEN280BN	Brushed Nickel
GEN280PN	Polished Nickel
GEN280BR	Polished Brass
GEN280ORB	Oil Rubbed Bronze

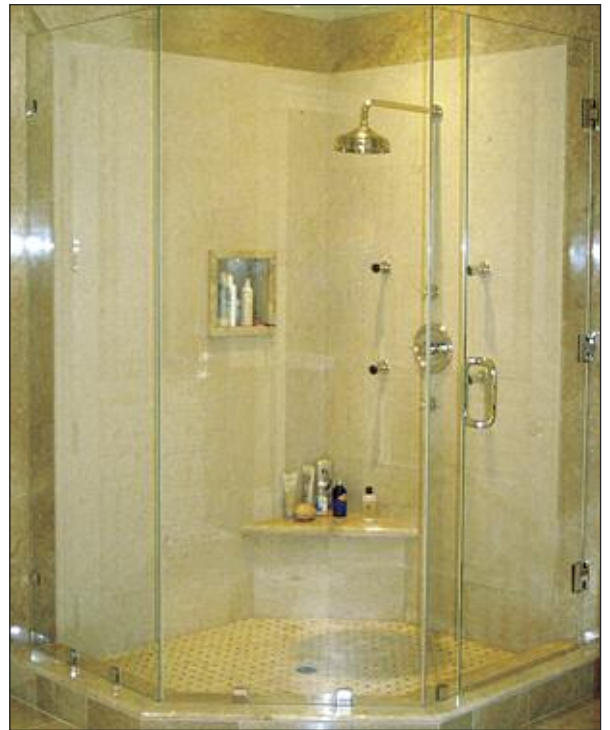
Minimum order: 1 each. All Frameless Shower Door Hinges can be combined for quantity pricing. Other finishes available on special order. **NOTE:** All Shower Door Hinges are sold by the each, not in pairs. Be sure to order a minimum of two each hinges to install one door.

CRL HINGES FOR 5/16" TO 1/2" (8 TO 12 MM) GLASS

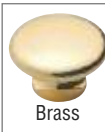
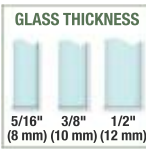
For Pricing Visit crlaurence.com or Call Us Toll Free at the Phone Numbers Shown on the Back Cover

CRL Adjustable Geneva Series Hinges

- Ideal for Use When Door Does Not Meet Wall or Adjoining Glass Panel at Standard Angle
- Allows Adjustability Up to 90 Degrees From Standard Closing Position
- Adjustability Made Easy By Loosening and Tightening of Allen Set Screws After Installation
- Many Popular Stock Finishes, With Custom Finishes Available on Request



The Adjustable Geneva Series has taken our popular Geneva Hinge to a new level. Adjustment to accommodate the desired angle (up to 90 degrees) is done after the door is installed. Once the door is hung, simply loosen the Allen set screws and turn the door to the desired closed position. By merely tightening the Allen screws your door will close precisely to 0 degrees. The door can swing 90 degrees inward and 90 degrees outward (adjusting angle from factory set position will reduce 90 degree swing in that direction). For doors pulling outwards only (using a clear door jamb), you can adjust the hinge to close 5 degrees inside the shower area, thus having the door close snugly against the jamb.



See the complete range of beautiful shower hardware finishes on page 114J

SPECIFICATIONS

Glass Thickness: 5/16" (8 mm) to 1/2" (12 mm) Tempered Safety Glass

Special Feature: Adjustable to any angle up to 90 degrees without having to take the door down

Material: Solid Brass

Closing Type: Precise Closing to 0 Degrees

Cut-Out Required

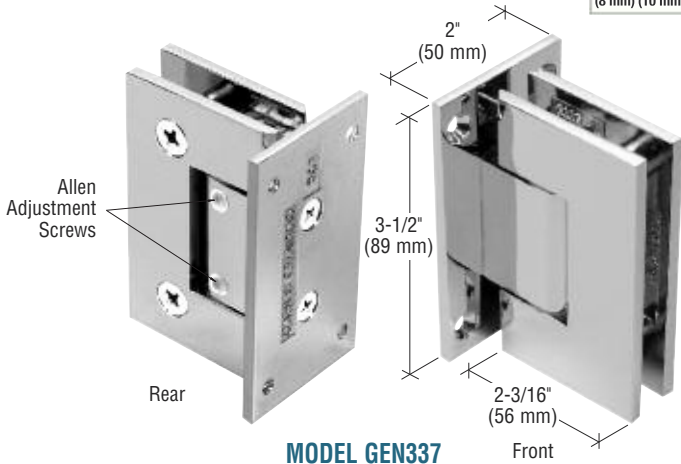
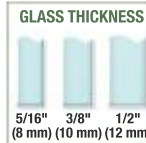
Includes: Gaskets, Phillips Screws, Allen Screws, and Glass Fabrication Dimensions

NOTE: Door glass width may require alteration from standard clearance deductions when adjusting angles. Call for details.

*MAXIMUM CAPACITIES	5/16" AND 3/8" (8 AND 10 MM) GLASS		1/2" (12 MM) GLASS	
	WEIGHT	DOOR WIDTH	WEIGHT	DOOR WIDTH
Using Two Hinges	80 lbs/36 kg	28"/711 mm	80 lbs/36 kg	28"/711 mm
Using Three Hinges	120 lbs/54 kg	32"/813 mm	120 lbs/54 kg	32"/813 mm

* NOTE: Do not exceed maximum door weight or width when choosing proper quantity of hinges.

Adjustable Wall Mount Full Back Plate



MODEL GEN337

Opens up to 90 degrees outwards and inwards

CAT. NO.	FINISH
GEN337CH	Polished Chrome
GEN337SC	Satin Chrome (Matte)
GEN337BSC	Brushed Satin Chrome
GEN337CBA	Polished Chrome/Polished Brass Center Block
GEN337BN	Brushed Nickel
GEN337PN	Polished Nickel
GEN337SN	Satin Nickel
GEN337ABN	Antique Brushed Nickel
GEN337BR	Polished Brass
GEN337SB	Satin Brass
GEN337ABR	Antique Brass
GEN337ORB	Oil Rubbed Bronze
GEN337ABRZ	Antique Bronze
GEN337ABCO	Antique Brushed Copper
GEN337BCO	Brushed Copper
GEN337GP	Gold Plated
GEN337WC	White/Polished Chrome Center Block and Screws
GEN337AW	All White
GEN337ABL	All Black

Minimum order: 1 each. All Frameless Shower Door Hinges can be combined for quantity pricing. Other finishes available on special order. NOTE: All Shower Door Hinges are sold by the each, not in pairs. Be sure to order a minimum of two each hinges to install one door.



C.R. LAURENCE COMPANY

crlaurence.com | usalum.com

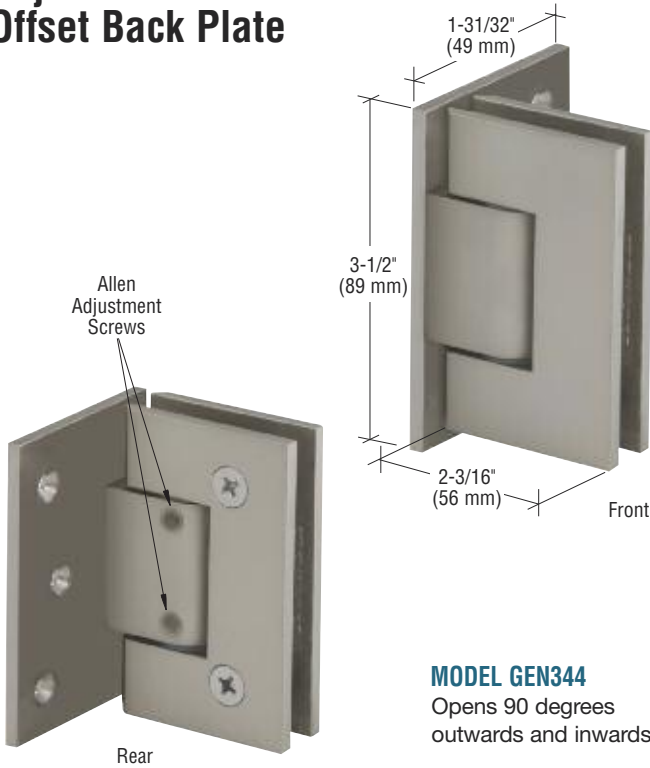
142J | crlaurence.ca crlaurence.com.au crlaurence.co.uk crlaurence.de crlaurence.eu

CRL HINGES FOR 5/16" TO 1/2" (8 TO 12 MM) GLASS

For Pricing Visit crlaurence.com or Call Us Toll Free at the Phone Numbers Shown on the Back Cover

CRL Adjustable Geneva Series

Adjustable Wall Mount Offset Back Plate



MODEL GEN344
Opens 90 degrees
outwards and inwards



new

FINISHES:



Most models are stocked in the finishes shown here, others are available on special order.

CAT. NO.	FINISH
GEN344CH	Polished Chrome
GEN344BN	Brushed Nickel
GEN344BR	Polished Brass
GEN344ORB	Oil Rubbed Bronze

Minimum order: 1 each. All Frameless Shower Door Hinges can be combined for quantity pricing. Other finishes available on special order. **NOTE:** All Shower Door Hinges are sold by the each, not in pairs. Be sure to order a minimum of two each hinges to install one door.

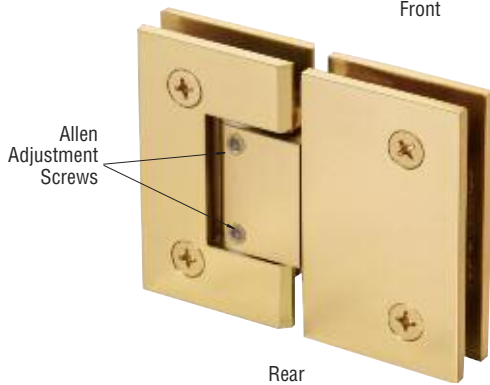
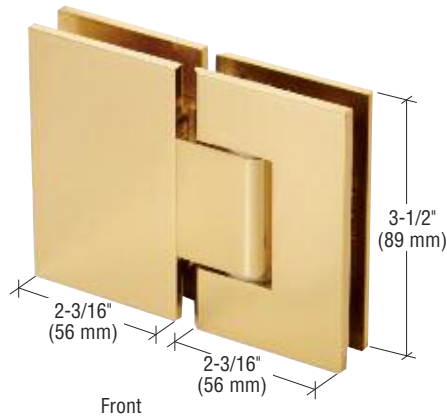


CRL HINGES FOR 5/16" TO 1/2" (8 TO 12 MM) GLASS

For Pricing Visit crlaurence.com or Call Us Toll Free at the Phone Numbers Shown on the Back Cover

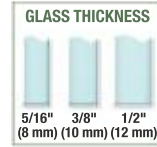
CRL Adjustable Geneva Series Glass-to-Glass Hinges

Adjustable 180 Degree Glass-to-Glass



MODEL GEN380

Opens up to 90 degrees outwards and inwards



FINISHES:

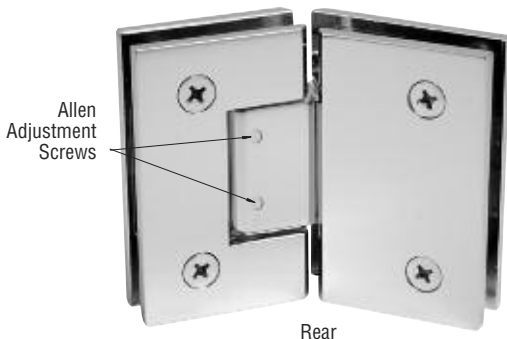
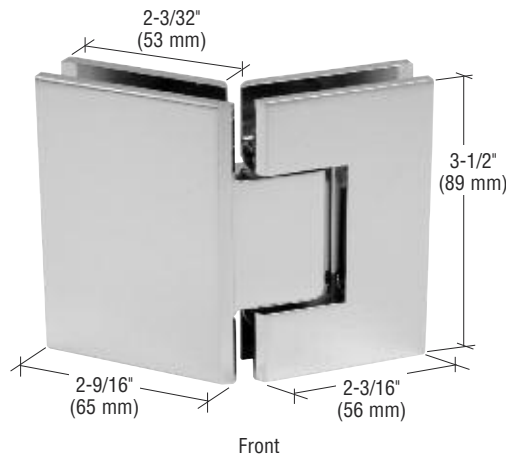


Most models are stocked in the finishes shown here, others are available on special order.

CAT. NO.	FINISH
GEN380CH	Polished Chrome
GEN380SC	Satin Chrome (Matte)
GEN380BN	Brushed Nickel
GEN380PN	Polished Nickel
GEN380BR	Polished Brass
GEN380SB	Satin Brass
GEN380ABR	Antique Brass
GEN380ORB	Oil Rubbed Bronze
GEN380GP	Gold Plated
GEN380WC	White/Polished Chrome Center Block and Screws

Minimum order: 1 each. All Frameless Shower Door Hinges can be combined for quantity pricing. Other finishes available on special order. **NOTE:** All Shower Door Hinges are sold by the each, not in pairs. Be sure to order a minimum of two each hinges to install one door.

Adjustable 135 Degree Glass-to-Glass



MODEL GEN345

Opens up to 90 degrees outwards and inwards



FINISHES:



Most models are stocked in the finishes shown here, others are available on special order.

CAT. NO.	FINISH
GEN345CH	Polished Chrome
GEN345SC	Satin Chrome (Matte)
GEN345BN	Brushed Nickel
GEN345PN	Polished Nickel
GEN345BR	Polished Brass
GEN345ABR	Antique Brass
GEN345ORB	Oil Rubbed Bronze

Minimum order: 1 each. All Frameless Shower Door Hinges can be combined for quantity pricing. Other finishes available on special order. **NOTE:** All Shower Door Hinges are sold by the each, not in pairs. Be sure to order a minimum of two each hinges to install one door.



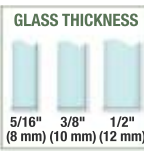
C.R. LAURENCE COMPANY

crlaurence.com | usalum.com

144J | crlaurence.ca crlaurence.com.au crlaurence.co.uk crlaurence.de crlaurence.eu

CRL Pinnacle Series Wall Mount Hinges

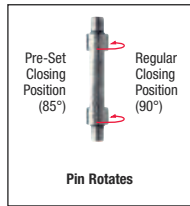
- Radius Corners and Beveled Edges for an Attractive, Modern Appeal
- Contains Same Internal Mechanism as Our Popular Geneva Hinges
- Choice of Models That Close to Standard Closing Position, or Models That Close 5 Degrees Further Into Shower Enclosure
- Reversible Pivot Pin Allows Installation Options



The Pinnacle Series of professional Hinges is able to accommodate 5/16", 3/8", or 1/2" (8, 10, or 12 mm) glass. A variety of six styles gives design flexibility, including five different Wall Mount and three different Glass-to-Glass types. Pinnacle Hinges are self-centering and contain a Reversible 5 Degree Pivot Pin (see below). In addition, Custom Pivot Pins are available to accommodate "off-angle" installations (see below). Made of solid brass with all moving parts (pins and springs) in stainless steel.

*MAXIMUM CAPACITIES	5/16" AND 3/8" (8 AND 10 MM) GLASS		1/2" (12 MM) GLASS	
	WEIGHT	DOOR WIDTH	WEIGHT	DOOR WIDTH
Using Two Hinges	80 lbs/36 kg	28"/711 mm	80 lbs/36 kg	28"/711 mm
Using Three Hinges	120 lbs/54 kg	32"/813 mm	120 lbs/54 kg	32"/813 mm

* NOTE: Do not exceed maximum door weight or width when choosing proper quantity of hinges.



STANDARD REVERSIBLE PIVOT PIN

Each Pinnacle Hinge contains a Reversible Pivot Pin. One side of the Pin is marked at 90 degrees. The opposite side of the Pin is marked 85 degrees. Standard Pinnacle Hinges come with the 90 degree side activated. Pre-Set Models come with the Pin pre-set for 85 degrees (5 degrees tighter closure into a shower interior). The Pin can be rotated (not flipped upside down) to activate the other side.



SPECIFICATIONS

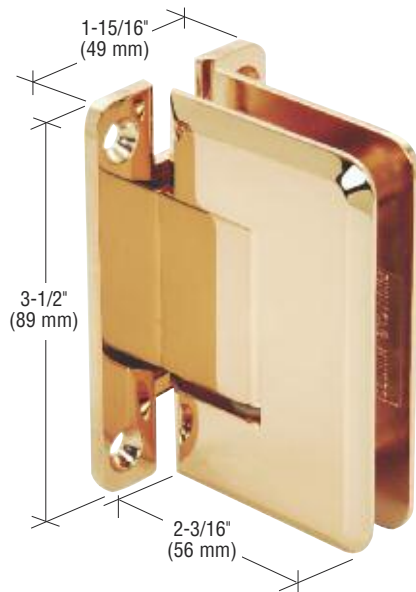
- Glass Thickness Range:** 5/16" to 1/2" (8 to 12 mm)
- Tempered Safety Glass
- Material:** Solid Brass
- Hinge Swings:** 90 Degrees Inwards and Outwards
- Closing Type:** Self-Centering When Within 15 Degrees of Closed Position
- Cut-Out Required:** Except Model P1N092 which requires cut-out for door and holes for fixed panel
- Includes:** Gaskets, Phillips Screws, Allen Screws, and Glass Fabrication Dimensions



CUSTOM PIVOT PIN

Custom Pivot Pins are available to accommodate "off-angle" installations. As an example, you may encounter a wall that will not meet your door at 90 degrees. If the standard 5 Degree Pivot Pin contained in the hinge does not assist in closing the door to the position desired, you may specify the angle needed for a Custom Pivot Pin (up to 45 degrees). Our Pinnacle Adjustable Hinge (see page 150J) may also be the solution to your "off-angle" installation. Call for details.

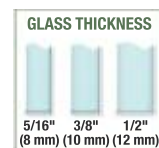
Wall Mount Full Back Plate



Stocked in two models:

Standard
MODEL P1N037
Factory set for standard closing position

5 Degree Pre-Set
MODEL P1N537
Factory set for 5 degree tighter closure into shower interior



STANDARD WALL MOUNT CAT. NO.	5 DEGREE PRE-SET WALL MOUNT CAT. NO.	FINISH
P1N037CH	P1N537CH	Polished Chrome
P1N037SC	P1N537SC	Satin Chrome (Matte)
P1N037BSC	P1N537BSC	Brushed Satin Chrome
P1N037CBA	P1N537CBA	Polished Chrome/Polished Brass Center Block
P1N037BN	P1N537BN	Brushed Nickel
P1N037PN	P1N537PN	Polished Nickel
P1N037SN	---	Satin Nickel
P1N037ABN	---	Antique Brushed Nickel
P1N037BNBA	---	Brushed Nickel/Polished Brass Center Block
P1N037BR	P1N537BR	Polished Brass
P1N037SB	P1N537SB	Satin Brass
P1N037ABR	P1N537ABR	Antique Brass
P1N037UBR	P1N537UBR	Ultra Brass
P1N037ORB	P1N537ORB	Oil Rubbed Bronze
P1N037ABRZ	P1N537ABRZ	Antique Bronze
P1N037BBRZ	---	Brushed Bronze
P1N037ABCO	---	Antique Brushed Copper
P1N037PCO	---	Polished Copper
P1N037GP	P1N537GP	Gold Plated
P1N037GM	---	Gun Metal
P1N037WC	---	White/Polished Chrome Center Block and Screws
P1N037ABL	---	All Black

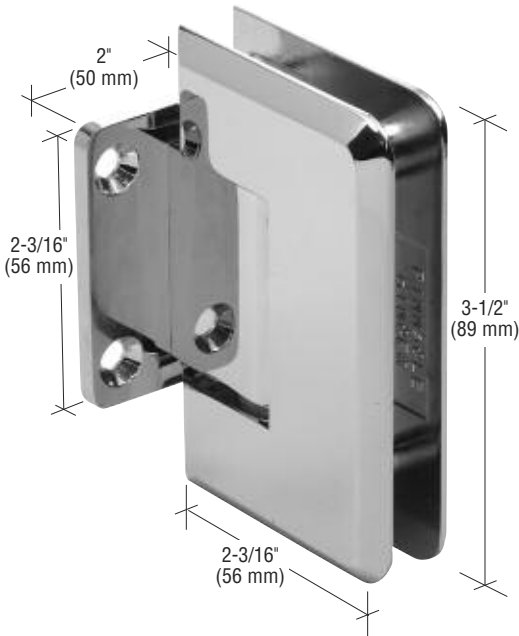
Minimum order: 1 each. All Frameless Shower Door Hinges can be combined for quantity pricing. Other finishes available on special order. NOTE: All Shower Door Hinges are sold by the each, not in pairs. Be sure to order a minimum of two each hinges to install one door.

CRL HINGES FOR 5/16" TO 1/2" (8 TO 12 MM) GLASS

For Pricing Visit crlaurence.com or Call Us Toll Free at the Phone Numbers Shown on the Back Cover

CRL Pinnacle Series Wall Mount Hinges

Wall Mount Short Back Plate



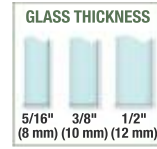
Stocked in two models:

Standard
MODEL P1N074
Factory set for standard closing position

5 Degree Pre-Set
MODEL P1N574
Factory set for 5 degree tighter closure into shower interior



Certification
(See Page 107J)



FINISHES:

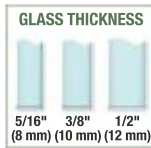
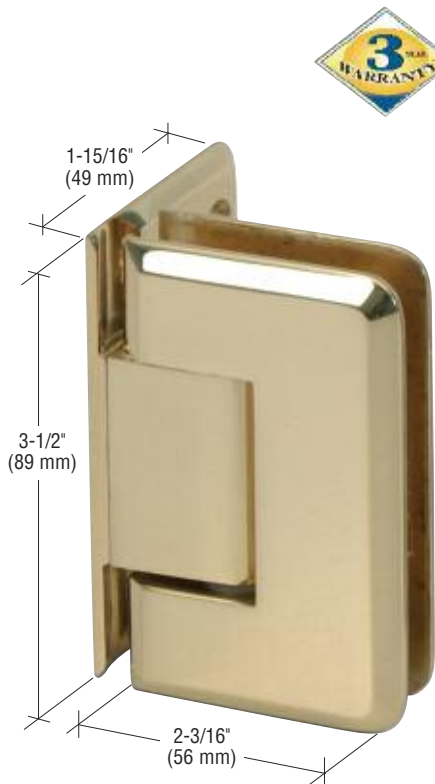


Most models are stocked in the finishes shown here, others are available on special order.

STANDARD WALL MOUNT CAT. NO.	5 DEGREE PRE-SET WALL MOUNT CAT. NO.	FINISH
P1N074CH	P1N574CH	Polished Chrome
P1N074SC	P1N574SC	Satin Chrome (Matte)
P1N074BN	P1N574BN	Brushed Nickel
P1N074PN	P1N574PN	Polished Nickel
P1N074BR	P1N574BR	Polished Brass
P1N074ORB	P1N574ORB	Oil Rubbed Bronze
P1N074BRZ	---	Brushed Bronze
P1N074ABC0	P1N574ABC0	Antique Brushed Copper

Minimum order: 1 each. All Frameless Shower Door Hinges can be combined for quantity pricing. Other finishes available on special order. **NOTE:** All Shower Door Hinges are sold by the each, not in pairs. Be sure to order a minimum of two each hinges to install one door.

Wall Mount Offset Back Plate



Certification
(See Page 107J)

Stocked in two models:

Standard
MODEL P1N044
Factory set for standard closing position

5 Degree Pre-Set
MODEL P1N544
Factory set for 5 degree tighter closure into shower interior

FINISHES:



Most models are stocked in the finishes shown here, others are available on special order.

STANDARD OFFSET WALL MOUNT CAT. NO.	5 DEGREE PRE-SET OFFSET WALL MOUNT CAT. NO.	FINISH
P1N044CH	P1N544CH	Polished Chrome
P1N044SC	---	Satin Chrome (Matte)
P1N044BSC	P1N544BSC	Brushed Satin Chrome
P1N044CBA	---	Polished Chrome/Polished Brass Center Block
P1N044BN	P1N544BN	Brushed Nickel
P1N044PN	---	Polished Nickel
P1N044SN	---	Satin Nickel
P1N044ABN	---	Antique Brushed Nickel
P1N044BNBA	---	Brushed Nickel/Polished Brass Center Block
P1N044BR	P1N544BR	Polished Brass
P1N044SB	---	Satin Brass
P1N044ABR	---	Antique Brass
P1N044UBR	---	Ultra Brass
P1N044ORB	P1N544ORB	Oil Rubbed Bronze
P1N044ABRZ	P1N544ABRZ	Antique Bronze
P1N044BBRZ	---	Brushed Bronze
P1N044ABC0	---	Antique Brushed Copper
P1N044PC0	---	Polished Copper
P1N044GP	---	Gold Plated
P1N044WC	---	White/Polished Chrome Center Block and Screws
---	P1N544AW	All White
P1N044ABL	---	All Black

Minimum order: 1 each. All Frameless Shower Door Hinges can be combined for quantity pricing. Other finishes available on special order. **NOTE:** All Shower Door Hinges are sold by the each, not in pairs. Be sure to order a minimum of two each hinges to install one door.



C.R. LAURENCE COMPANY

crlaurence.com | usalum.com

146J | crlaurence.ca crlaurence.com.au crlaurence.co.uk crlaurence.de crlaurence.eu

CRL HINGES FOR 5/16" TO 1/2" (8 TO 12 MM) GLASS

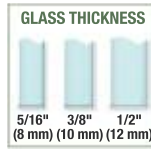
For Pricing Visit crlaurence.com or Call Us Toll Free at the Phone Numbers Shown on the Back Cover

CRL Pinnacle Series Glass-to-Glass Hinges



- Radius Corners and Beveled Edges for an Attractive, Modern Appeal
- Choice of Models That Close to Standard Closing Position, or Models That Close 5 Degrees Further Into Shower Enclosure
- Reversible Pivot Pin Allows Installation Options

The Pinnacle Series of professional Hinges is able to accommodate 5/16" to 1/2" (8 to 12 mm) glass. A variety of styles gives design flexibility, including three different Glass-to-Glass types. Pinnacle Hinges are self-centering and contain a Reversible 5 Degree Pivot Pin (see page 145J). In addition, Custom Pivot Pins are available to accommodate "off-angle" installations (see page 145J). Made of solid brass with all moving parts (pins and springs) in stainless steel.



See the complete range of beautiful shower hardware finishes on page 114J

SPECIFICATIONS

Glass Thickness Range: 5/16" to 1/2" (8 to 12 mm)

Tempered Safety Glass

Material: Solid Brass

Hinge Swings: 90 Degrees Inwards and Outwards

Closing Type: Self-Centering When Within 15 Degrees of Closed Position

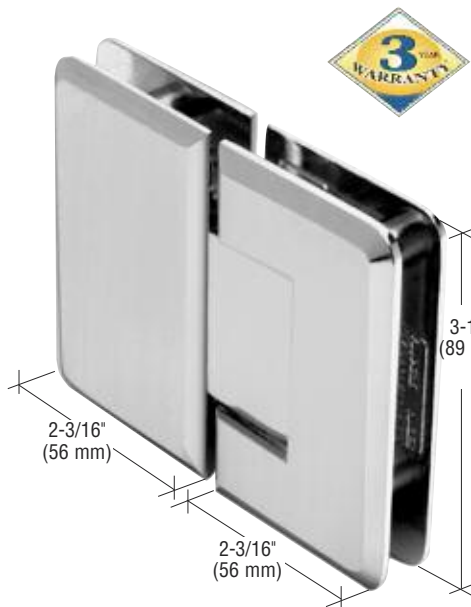
Cut-Out Required: Except Model PIN092 Which Requires Cut-Out for the Door and Holes for the Fixed Panel

Includes: Gaskets, Phillips Screws, Allen Screws, and Glass Fabrication Dimensions

*MAXIMUM CAPACITIES	5/16" AND 3/8" (8 AND 10 MM) GLASS		1/2" (12 MM) GLASS	
	WEIGHT	DOOR WIDTH	WEIGHT	DOOR WIDTH
Using Two Hinges	80 lbs/36 kg	28"/711 mm	80 lbs/36 kg	28"/711 mm
Using Three Hinges	120 lbs/54 kg	32"/813 mm	120 lbs/54 kg	32"/813 mm

* NOTE: Do not exceed maximum door weight or width when choosing proper quantity of hinges.

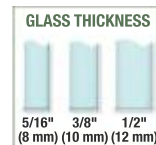
180 Degree Glass-to-Glass



Stocked in two models:

Standard
MODEL P1N180
Factory set for standard closing position
5 Degree Pre-Set

MODEL P1N580
Factory set for 5 degree tighter closure into shower interior



STANDARD 180 DEGREE GLASS-TO-GLASS CAT. NO.

P1N180CH
P1N180SC
P1N180BSC
P1N180CBA
P1N180BN
P1N180PN
P1N180SN
P1N180ABN
P1N180BNBA
P1N180BR
P1N180SB
P1N180ABR
P1N180UBR
P1N180ORB
P1N180ABRZ
P1N180BBRZ
P1N180ABCO
P1N180PCO
P1N180GP
P1N180GM
P1N180WC

5 DEGREE PRE-SET 180 DEGREE GLASS-TO-GLASS CAT. NO.

P1N580CH
P1N580SC
P1N580BSC

P1N580BN
P1N580PN

P1N580ABN

P1N580BR
P1N580SB
P1N580ABR
P1N580UBR
P1N580ORB

P1N580ABCO
P1N580PCO
P1N580GP

P1N580WC

FINISH

Polished Chrome
Satin Chrome (Matte)
Brushed Satin Chrome

Polished Chrome/Polished Brass Center Block
Brushed Nickel
Polished Nickel
Satin Nickel
Antique Brushed Nickel

Brushed Nickel/Polished Brass Center Block
Polished Brass
Satin Brass
Antique Brass
Ultra Brass
Oil Rubbed Bronze

Antique Bronze
Brushed Bronze
Antique Brushed Copper
Polished Copper
Gold Plated
Gun Metal

White/Polished Chrome Center Block and Screws

Minimum order: 1 each. All Frameless Shower Door Hinges can be combined for quantity pricing. Other finishes available on special order. NOTE: All Shower Door Hinges are sold by the each, not in pairs. Be sure to order a minimum of two each hinges to install one door.



CRL HINGES FOR 5/16" TO 1/2" (8 TO 12 MM) GLASS

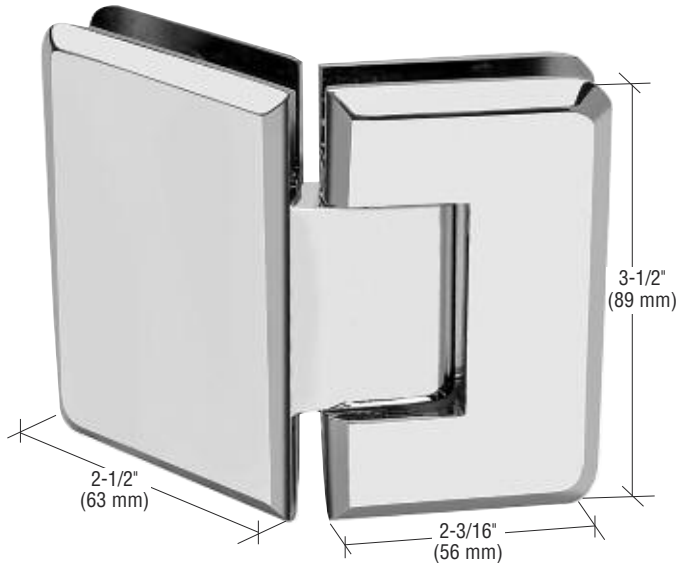
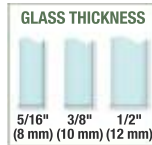
For Pricing Visit crlaurence.com or Call Us Toll Free at the Phone Numbers Shown on the Back Cover

CRL Pinnacle Series Glass-to-Glass Hinges

135 Degree Glass-to-Glass



Certification
(See Page 107J)



Standard
MODEL P1N045
Opens 90 degrees
outwards and inwards

FINISHES:

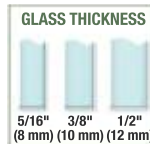


Most models are stocked in the finishes shown here, others are available on special order.

CAT. NO.	FINISH
P1N045CH	Polished Chrome
P1N045SC	Satin Chrome (Matte)
P1N045BSC	Brushed Satin Chrome
P1N045CBA	Polished Chrome/Polished Brass Center Block
P1N045BN	Brushed Nickel
P1N045PN	Polished Nickel
P1N045SN	Satin Nickel
P1N045ABN	Antique Brushed Nickel
P1N045BR	Polished Brass
P1N045SB	Satin Brass
P1N045ABR	Antique Brass
P1N045UBR	Ultra Brass
P1N045ORB	Oil Rubbed Bronze
P1N045BBRZ	Brushed Bronze
P1N045ABC0	Antique Brushed Copper
P1N045GP	Gold Plated
P1N045SGP	Satin Gold Plated
P1N045GM	Gun Metal
P1N045WC	White/Chrome Center Block and Screws

Minimum order: 1 each. All Frameless Shower Door Hinges can be combined for quantity pricing. Other finishes available on special order. **NOTE:** All Shower Door Hinges are sold by the each, not in pairs. Be sure to order a minimum of two each hinges to install one door.

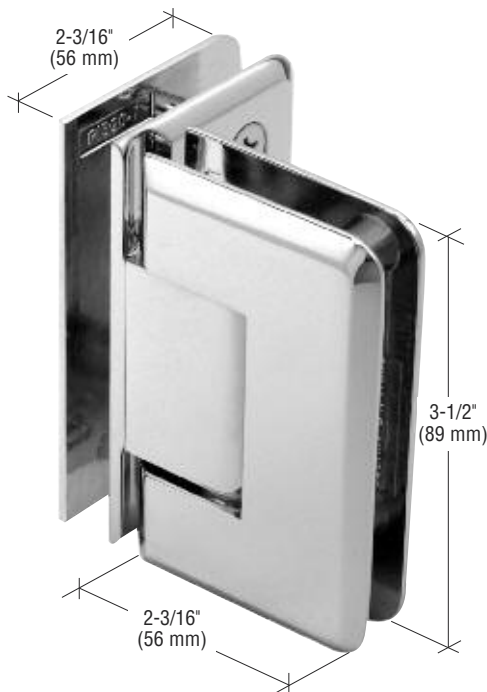
90 Degree Glass-to-Glass



FINISHES:



Most models are stocked in the finishes shown here, others are available on special order.



Standard
MODEL P1N092
Opens 90 degrees
outwards and
inwards



Certification
(See Page 107J)

CAT. NO.	FINISH
P1N092CH	Polished Chrome
P1N092SC	Satin Chrome (Matte)
P1N092BSC	Brushed Satin Chrome
P1N092BN	Brushed Nickel
P1N092PN	Polished Nickel
P1N092BR	Polished Brass
P1N092SB	Satin Brass
P1N092ABR	Antique Brass
P1N092ORB	Oil Rubbed Bronze
P1N092GP	Gold Plated
P1N092WC	White/Chrome Center Block and Screws

Minimum order: 1 each. All Frameless Shower Door Hinges can be combined for quantity pricing. Other finishes available on special order. **NOTE:** All Shower Door Hinges are sold by the each, not in pairs. Be sure to order a minimum of two each hinges to install one door.



C.R. LAURENCE COMPANY

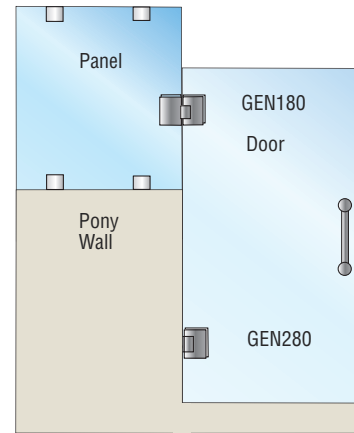
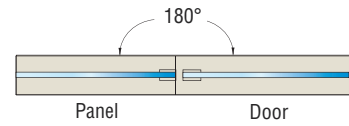
crlaurence.com | usalum.com

148J | crlaurence.ca crlaurence.com.au crlaurence.co.uk crlaurence.de crlaurence.eu

CRL Pinnacle Series Pony Wall Hinges

- Eliminates Need to Cut Into Tile or Marble to Recess Wall Mounting Plates of Regular Pinnacle Series Hinge
- Modified Hinge Mechanism Allows Matching the Pivot Point of Hinge Installed Above It
- Has Same Reversible 5 Degree Pivot Pin as Regular Pinnacle Hinge

This hinge can be used in place of the standard wall-to-glass hinges normally utilized when using wall mount hinges on a pony wall, and glass-to-glass hinges above them. The P1N280 model is for use with 180 degree applications. Previously in this application the tile or marble had to be cut to allow proper installation. Pinnacle Pony Wall Hinges are modified with a shortened center block (containing only one centering spring) and a small back plate (with only two mounting holes). Each hinge has the same Reversible 5 Degree Pivot Pin as our standard Pinnacle Hinge.



FINISHES:



Most models are stocked in the finishes shown here, others are available on special order.

SPECIFICATIONS

Glass Thickness: 5/16" (8 mm) to 1/2" (12 mm)
Tempered Safety Glass

Special Feature: Mounted to surface of tile or marble as opposed to having to cut into wall to recess the back plate

Construction: Solid Brass

Hinge Swings: 90 Degrees Inwards and Outwards

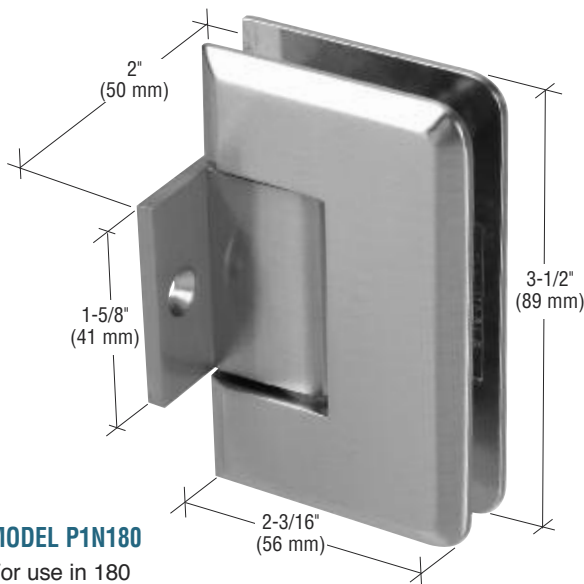
Cut-Out Required

Includes: Gaskets, Phillips Screws, Allen Screws, and Glass Fabrication Dimensions

*MAXIMUM CAPACITIES	5/16" AND 3/8" (8 AND 10 MM) GLASS		1/2" (12 MM) GLASS	
	WEIGHT	DOOR WIDTH	WEIGHT	DOOR WIDTH
Using Two Hinges	80 lbs/36 kg	28"/711 mm	80 lbs/36 kg	28"/711 mm
Using Three Hinges	120 lbs/54 kg	32"/813 mm	120 lbs/54 kg	32"/813 mm

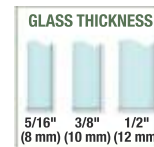
* NOTE: Do not exceed maximum door weight or width when choosing proper quantity of hinges.

Pony Wall Mount for 180 Degree Application



MODEL P1N180

For use in 180 degree applications



FINISHES:



Most models are stocked in the finishes shown here, others are available on special order.

CAT. NO.

P1N280CH
P1N280BN

FINISH

Polished Chrome
Brushed Nickel

Minimum order: 1 each. All Frameless Shower Door Hinges can be combined for quantity pricing. Other finishes available on special order. NOTE: All Shower Door Hinges are sold by the each, not in pairs. Be sure to order a minimum of two each hinges to install one door.

CRL HINGES FOR 5/16" TO 1/2" (8 TO 12 MM) GLASS

For Pricing Visit crlaurence.com or Call Us Toll Free at the Phone Numbers Shown on the Back Cover

CRL Adjustable Pinnacle Series Hinges

- Ideal for Use When Door Does Not Meet Wall or Adjoining Glass Panel at Correct Angle
- Allows Adjustability Up to 90 Degrees From Standard Closing Position
- Adjustability Made Easy By Loosening and Tightening of Allen Set Screws After Installation
- Many Popular Stock Finishes, With Custom Finishes Available



The Adjustable Pinnacle Series has taken our popular Pinnacle Hinge to a new level. Adjustment to accommodate the desired angle (up to 90 degrees) is done after the door is installed. Once the door is hung, simply loosen the Allen set screws and turn the door to the desired closed position. By merely tightening the Allen screws your door will close precisely to 0 degrees. The door can swing 90 degrees inward and 90 degrees outward (adjusting angle from factory set position will reduce 90 degree swing in that direction). For doors pulling outwards only (using a clear door jamb), you can adjust the hinge to close 5 degrees inside the shower area, thus having the door close snugly against the jamb.



See the complete range of beautiful shower hardware finishes on page 114J
Brass

SPECIFICATIONS

Glass Thickness: 5/16" (8 mm) to 1/2" (12 mm)

Tempered Safety Glass

Special Feature: Adjustable to any angle up to 90 degrees without having to take the door down

Material: Solid Brass

Closing Type: Precise Closing to 0 Degrees

Cut-Out Required

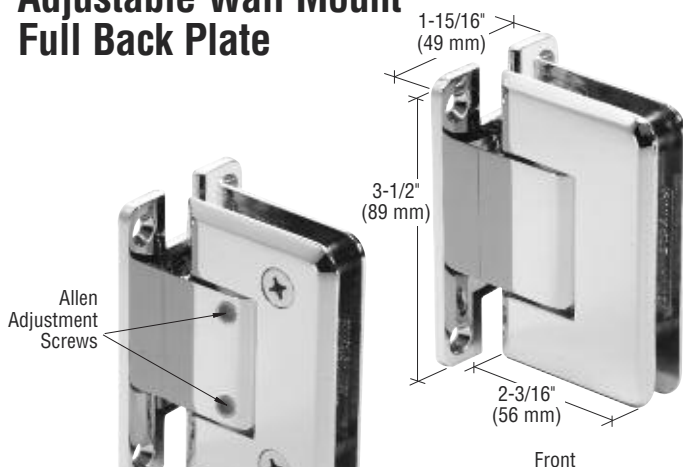
Includes: Gaskets, Phillips Screws, Allen Screws, and Glass Fabrication Dimensions

NOTE: Door glass width may require alteration from standard clearance deductions when adjusting angles. Call for details.

*MAXIMUM CAPACITIES	5/16" AND 3/8" (8 AND 10 MM) GLASS		1/2" (12 MM) GLASS	
	WEIGHT	DOOR WIDTH	WEIGHT	DOOR WIDTH
Using Two Hinges	80 lbs/36 kg	28"/711 mm	80 lbs/36 kg	28"/711 mm
Using Three Hinges	120 lbs/54 kg	32"/813 mm	120 lbs/54 kg	32"/813 mm

* NOTE: Do not exceed maximum door weight or width when choosing proper quantity of hinges.

Adjustable Wall Mount Full Back Plate



Front
MODEL P1N337
Opens up to 90 degrees outwards and inwards



CAT. NO.	FINISH
P1N337CH	Polished Chrome
P1N337SC	Satin Chrome (Matte)
P1N337BSC	Brushed Satin Chrome
P1N337BN	Brushed Nickel
P1N337PN	Polished Nickel
P1N337SN	Satin Nickel
P1N337BR	Polished Brass
P1N337SB	Satin Brass
P1N337ABR	Antique Brass
P1N337ORB	Oil Rubbed Bronze
P1N337ABC0	Antique Brushed Copper
P1N337BC0	Brushed Copper
P1N337GP	Gold Plated

Minimum order: 1 each. All Frameless Shower Door Hinges can be combined for quantity pricing. Other finishes available on special order. **NOTE:** All Shower Door Hinges are sold by the each, not in pairs. Be sure to order a minimum of two each hinges to install one door.



C.R. LAURENCE COMPANY

crlaurence.com | usalum.com

150J | crlaurence.ca crlaurence.com.au crlaurence.co.uk crlaurence.de crlaurence.eu

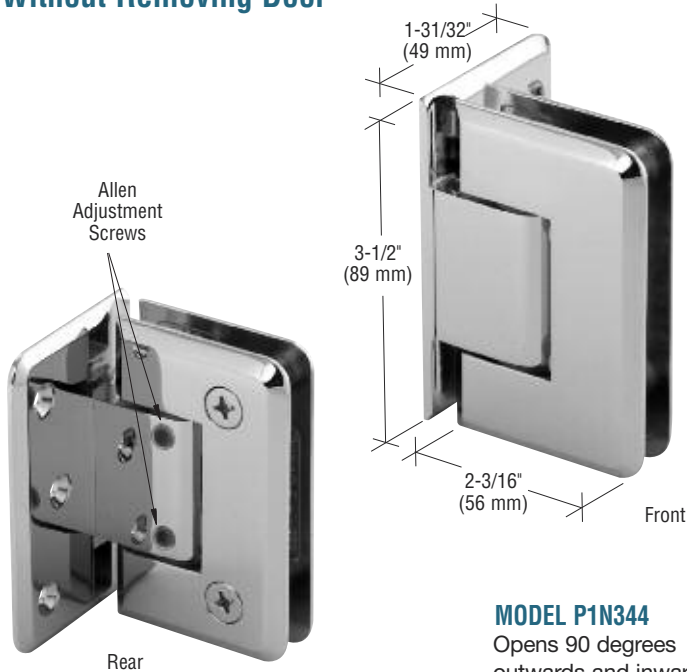
CRL HINGES FOR 5/16" TO 1/2" (8 TO 12 MM) GLASS

For Pricing Visit crlaurence.com or Call Us Toll Free at the Phone Numbers Shown on the Back Cover

CRL Adjustable Pinnacle Series Wall Mount Hinges

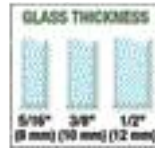
Adjustable Wall Mount Offset Back Plate

- Adjustable to Any Angle Up To 90 Degrees Without Removing Door



MODEL P1N344
Opens 90 degrees outwards and inwards

new



CE
Certification
(See Page 107J)

FINISHES:



Most models are stocked in the finishes shown here, others are available on special order.

CAT. NO.	FINISH
P1N344CH	Polished Chrome
P1N344SC	Satin Chrome (Matte)
P1N344BN	Brushed Nickel
P1N344BR	Polished Brass
P1N344ORB	Oil Rubbed Bronze

Minimum order: 1 each. All Frameless Shower Door Hinges can be combined for quantity pricing. Other finishes available on special order. **NOTE:** All Shower Door Hinges are sold by the each, not in pairs. Be sure to order a minimum of two each hinges to install one door.

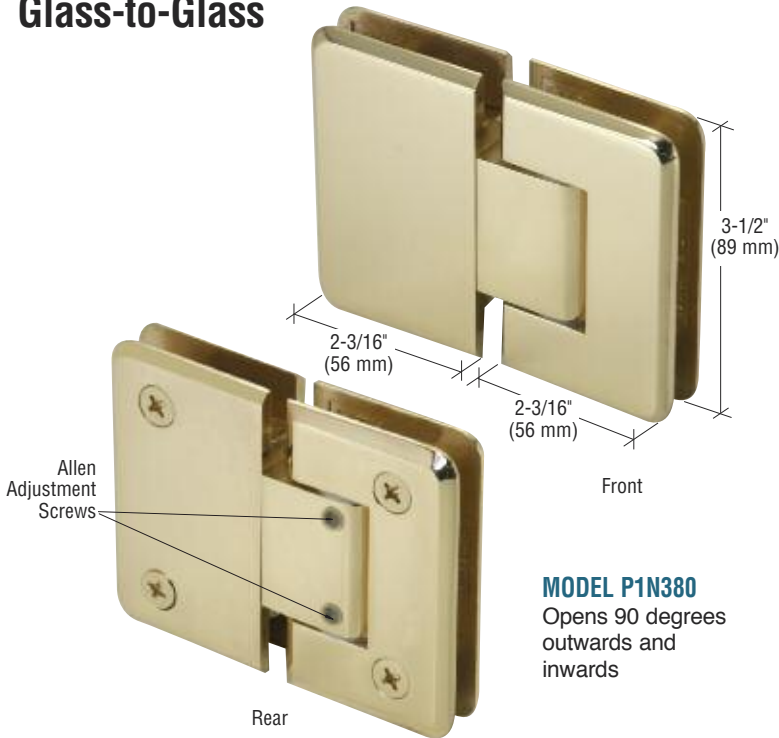
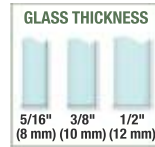


CRL HINGES FOR 5/16" TO 1/2" (8 TO 12 MM) GLASS

For Pricing Visit crlaurence.com or Call Us Toll Free at the Phone Numbers Shown on the Back Cover

CRL Adjustable Pinnacle Series Glass-to-Glass Hinges

Adjustable 180 Degree Glass-to-Glass



FINISHES:

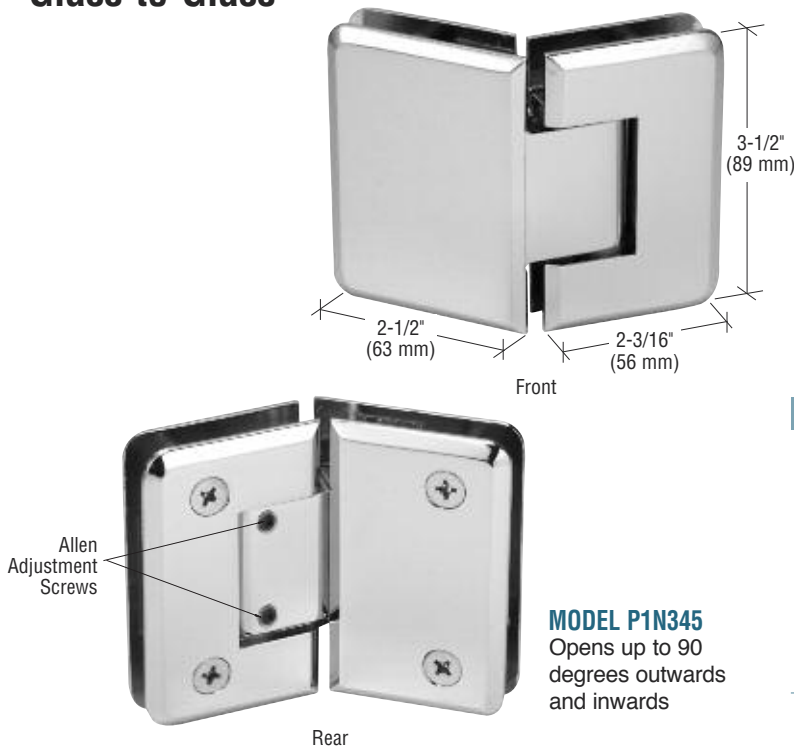


Most models are stocked in the finishes shown here, others are available on special order.

CAT. NO.	FINISH
P1N380CH	Polished Chrome
P1N380SC	Satin Chrome (Matte)
P1N380BN	Brushed Nickel
P1N380PN	Polished Nickel
P1N380SN	Satin Nickel
P1N380ABN	Antique Brushed Nickel
P1N380BR	Polished Brass
P1N380SB	Satin Brass
P1N380ABR	Antique Brass
P1N380RB	Oil Rubbed Bronze
P1N380GP	Gold Plated
P1N380BL	All Black

Minimum order: 1 each. All Frameless Shower Door Hinges can be combined for quantity pricing. Other finishes available on special order. **NOTE:** All Shower Door Hinges are sold by the each, not in pairs. Be sure to order a minimum of two each hinges to install one door.

Adjustable 135 Degree Glass-to-Glass



FINISHES:



Most models are stocked in the finishes shown here, others are available on special order.

CAT. NO.	FINISH
P1N345CH	Polished Chrome
P1N345SC	Satin Chrome (Matte)
P1N345BSC	Brushed Satin Chrome
P1N345BN	Brushed Nickel
P1N345PN	Polished Nickel
P1N345SN	Satin Nickel
P1N345BR	Polished Brass
P1N345SB	Satin Brass
P1N345ORB	Oil Rubbed Bronze
P1N345GP	Gold Plated

Minimum order: 1 each. All Frameless Shower Door Hinges can be combined for quantity pricing. Other finishes available on special order. **NOTE:** All Shower Door Hinges are sold by the each, not in pairs. Be sure to order a minimum of two each hinges to install one door.



C.R. LAURENCE COMPANY

crlaurence.com | usalum.com

152J | crlaurence.ca crlaurence.com.au crlaurence.co.uk crlaurence.de crlaurence.eu

CRL HINGES FOR 3/8" TO 1/2" (10 TO 12 MM) GLASS

For Pricing Visit crlaurence.com or Call Us Toll Free at the Phone Numbers Shown on the Back Cover

CRL Vienna Series Hinges



- An Ideal Solution for Wider, Heavier Doors
- Sometimes Allows Use of Two Hinges When Three "Standard" Hinges Would Have to Be Used
- Option of CRL Standard "Mouse-Ears" Cut-Out, or Optional "Rectangular" Cut-Out
- Contains Reversible Pivot Pin

Vienna Hinges are the solution for wider, heavier doors that traditional hinges are not strong enough to support. Two strategically placed steel pins inside the hinge provide template options, and satisfy two schools of thought for mounting shower door hinges. For the safety of "mouse-ears" type cut-outs, the two steel pins should be left in place. This allows the Vienna Hinge to be used with its own CRL "mouse-ears" cut-out. On the other hand, to enable increased adjustability, the two pins can be removed. This allows the Vienna Hinge to fit its own CRL rectangular shaped, square cornered cut-out. In some cases, it will also fit some competitive rectangular, square cornered cut-outs, allowing for retrofits.



See the complete range of beautiful shower hardware finishes on page 114J
Brass

ALL VIENNA HINGES EXCEPT V1E074, V1E044, AND V1E544 MODELS

*MAXIMUM CAPACITIES	3/8" (10 MM) GLASS		1/2" (12 MM) GLASS	
	WEIGHT	DOOR WIDTH	WEIGHT	DOOR WIDTH
Using Two Hinges	110 lbs/50 kg	36"/914 mm	110 lbs/50 kg	36"/914 mm
Using Three Hinges	140 lbs/63 kg	36"/914 mm	140 lbs/63 kg	36"/914 mm

* NOTE: Do not exceed maximum door weight or width when choosing proper quantity of hinges.

FOR V1E074, V1E044, AND V1E544 MODELS ONLY

*MAXIMUM CAPACITIES	3/8" (10 MM) GLASS		1/2" (12 MM) GLASS	
	WEIGHT	DOOR WIDTH	WEIGHT	DOOR WIDTH
Using Two Hinges	100 lbs/45 kg	34"/864 mm	100 lbs/45 kg	32"/813 mm
Using Three Hinges	130 lbs/59 kg	34"/864 mm	130 lbs/59 kg	32"/813 mm

* NOTE: Do not exceed maximum door weight or width when choosing proper quantity of hinges.

SPECIFICATIONS

Glass Thickness Range: 3/8" to 1/2" (10 to 12 mm)
Tempered Safety Glass

Construction: Solid Brass

Hinge Swings: 90 Degrees Inwards and Outwards

Closing Type: Self-Centering When Within 15 Degrees of Closed Position

Cut-Out Required Except Model V1E092 which requires cut-out in door and holes in fixed panel

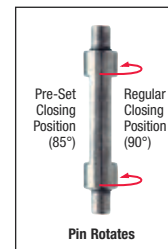
Includes: Gaskets, Phillips Screws, Allen Screws, and Glass Fabrication Dimensions

Internal View of Vienna Hinge



Pin Removed
(For Rectangular
Cut-Out)

Pin In Place
(For "Mouse-Ears"
Cut-Out)



STANDARD REVERSIBLE PIVOT PIN

Each Vienna Hinge contains a Reversible Pivot Pin. One side of the Pin is marked at 90 degrees. The opposite side of the Pin is marked 85 degrees. Standard Vienna Hinges come with the 90 degree side activated. Pre-Set Models come with the Pin pre-set for 85 degrees (5 degrees tighter closure into shower interior). The Pin can be rotated (not flipped upside down) to activate the other side.



CUSTOM PIVOT PIN

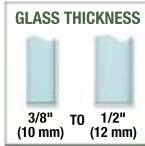
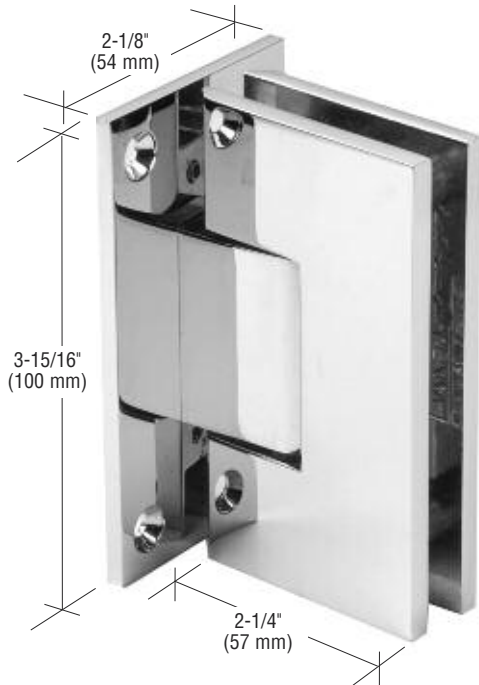
Custom Pivot Pins are available to accommodate "off-angle" installations. As an example, you may encounter a wall that will not meet your door at 90 degrees. If the standard 5 Degree Pivot Pin contained in the hinge does not assist in closing the door to the position desired, you may specify the angle needed for a Custom Pivot Pin (up to 45 degrees).

CRL HINGES FOR 3/8" TO 1/2" (10 TO 12 MM) GLASS

For Pricing Visit crlaurence.com or Call Us Toll Free at the Phone Numbers Shown on the Back Cover

CRL Vienna Series Wall Mount Hinges

Wall Mount Full Back Plate



Stocked in two models:

Standard
MODEL V1E037
Factory set for standard closing position

5 Degree Pre-Set
MODEL V1E537
Factory set for 5 degree tighter closure into shower interior



FINISHES:

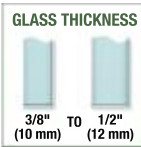
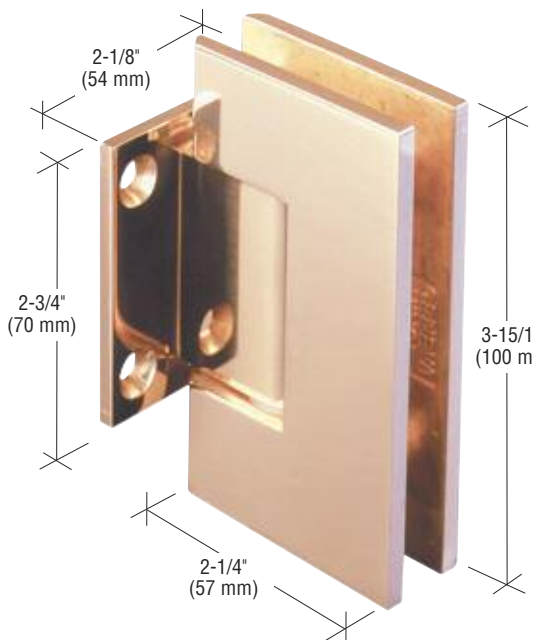


Most models are stocked in the finishes shown here, others are available on special order.

STANDARD WALL MOUNT CAT. NO.	5 DEGREE PRE-SET WALL MOUNT CAT. NO.	FINISH
V1E037CH	V1E537CH	Polished Chrome
V1E037SC	V1E537SC	Satin Chrome (Matte)
V1E037BSC	---	Brushed Satin Chrome
V1E037CBA	---	Polished Chrome/Polished Brass Center Block
V1E037BN	V1E537BN	Brushed Nickel
V1E037PN	V1E537PN	Polished Nickel
V1E037SN	---	Satin Nickel
V1E037ABN	---	Antique Brushed Nickel
V1E037BR	V1E537BR	Polished Brass
V1E037SB	V1E537SB	Satin Brass
V1E037ABR	V1E537ABR	Antique Brass
V1E037ORB	V1E537ORB	Oil Rubbed Bronze
V1E037ABRZ	V1E537ABRZ	Antique Bronze
V1E037BBRZ	---	Brushed Bronze
V1E037ABCO	---	Antique Brushed Copper
V1E037BCO	V1E537BCO	Brushed Copper
V1E037GP	---	Gold Plated
V1E037GM	---	Gun Metal
V1E037WC	---	White/Chrome Center Block and Screws
V1E037AW	---	All White
V1E037BL	---	Black/Chrome Center Block and Screws
V1E037ABL	---	All Black

Minimum order: 1 each. All Frameless Shower Door Hinges can be combined for quantity pricing. Other finishes available on special order. **NOTE:** All Shower Door Hinges are sold by the each, not in pairs. Be sure to order a minimum of two each hinges to install one door.

Wall Mount Short Back Plate



MODEL V1E074
Opens 90 degrees outwards and inwards

FINISHES:



Most models are stocked in the finishes shown here, others are available on special order.

CAT. NO.	FINISH
V1E074CH	Polished Chrome
V1E074SC	Satin Chrome (Matte)
V1E074BSC	Brushed Satin Chrome
V1E074CBA	Polished Chrome/Polished Brass Center Block
V1E074BN	Brushed Nickel
V1E074PN	Polished Nickel
V1E074SN	Satin Nickel
V1E074ABN	Antique Brushed Nickel
V1E074BR	Polished Brass
V1E074SB	Satin Brass
V1E074ABR	Antique Brass
V1E074ORB	Oil Rubbed Bronze
V1E074ABRZ	Antique Bronze
V1E074BBRZ	Brushed Bronze
V1E074ABCO	Antique Brushed Copper
V1E074GP	Gold Plated
V1E074AW	All White

Minimum order: 1 each. All Frameless Shower Door Hinges can be combined for quantity pricing. Other finishes available on special order. **NOTE:** All Shower Door Hinges are sold by the each, not in pairs. Be sure to order a minimum of two each hinges to install one door.



C.R. LAURENCE COMPANY

crlaurence.com | usalum.com

154J | crlaurence.ca crlaurence.com.au crlaurence.co.uk crlaurence.de crlaurence.eu

CRL HINGES FOR 3/8" TO 1/2" (10 TO 12 MM) GLASS

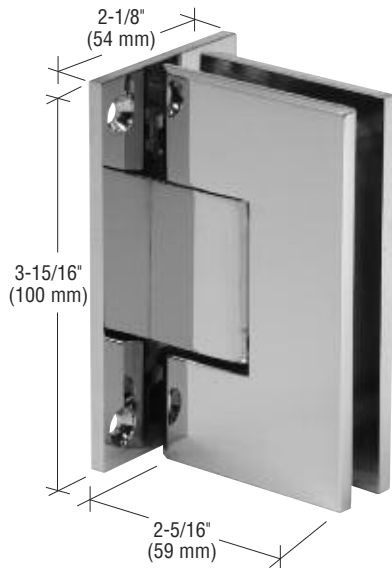
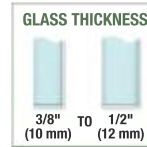
For Pricing Visit crlaurence.com or Call Us Toll Free at the Phone Numbers Shown on the Back Cover

CRL Vienna Series Wall Mount Hinges

new

Wall Mount Positive Close Full Back Plate

- Special Grooved Internal Pivot Pin Allows Positive and Precise Closing Action



FINISHES:



Most models are stocked in the finishes shown here, others are available on special order.

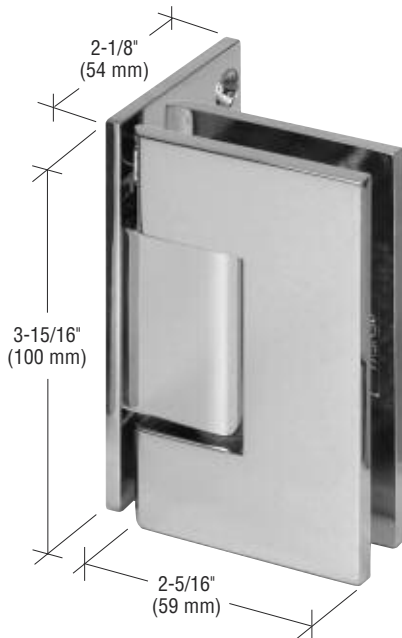
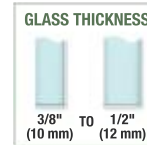
MODEL V1E067
Factory set for positive closing to 0 degrees

CAT. NO.	FINISH
V1E067CH	Polished Chrome
V1E067BN	Brushed Nickel
V1E067BR	Polished Brass
V1E067ORB	Oil Rubbed Bronze

Minimum order: 1 each. All Frameless Shower Door Hinges can be combined for quantity pricing. Other finishes available on special order. **NOTE:** All Shower Door Hinges are sold by the each, not in pairs. Be sure to order a minimum of two each hinges to install one door.

Wall Mount Offset Back Plate

new



FINISHES:



Most models are stocked in the finishes shown here, others are available on special order.

Stocked in two models:

Standard
MODEL V1E044
Factory set for standard closing position

5 Degree Pre-Set
MODEL V1E544
Factory set for 5 degree tighter closure into shower interior

STANDARD WALL MOUNT CAT. NO.	5 DEGREE PRE-SET WALL MOUNT CAT. NO.	FINISH
V1E044CH	V1E544CH	Polished Chrome
V1E044SC	---	Satin Chrome (Matte)
V1E044BSC	---	Brushed Satin Chrome
V1E044CBA	---	Polished Chrome/Polished Brass Center Block
V1E044BN	V1E544BN	Brushed Nickel
V1E044ABN	---	Antique Brushed Nickel
V1E044PN	---	Polished Nickel
V1E044SN	---	Satin Nickel
V1E044BR	---	Polished Brass
V1E044SB	---	Satin Brass
V1E044ABR	---	Antique Brass
V1E044ORB	V1E544ORB	Oil Rubbed Bronze
V1E044ABRZ	---	Antique Bronze
V1E044BBRZ	---	Brushed Bronze
V1E044GP	---	Gold Plated
V1E044ABC0	---	Antique Brushed Copper
V1E044AW	---	All White

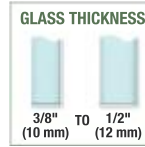
Minimum order: 1 each. All Frameless Shower Door Hinges can be combined for quantity pricing. Other finishes available on special order. **NOTE:** All Shower Door Hinges are sold by the each, not in pairs. Be sure to order a minimum of two each hinges to install one door.

CRL HINGES FOR 3/8" TO 1/2" (10 TO 12 MM) GLASS

For Pricing Visit crlaurence.com or Call Us Toll Free at the Phone Numbers Shown on the Back Cover

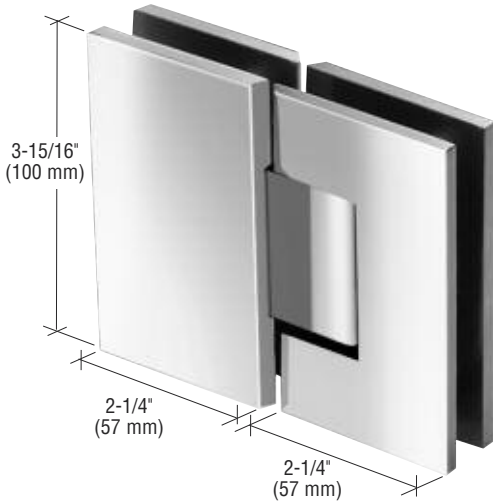
CRL Vienna Series Glass-to-Glass Hinges

new



180 Degree Glass-to-Glass Positive Close

- Special Grooved Internal Pivot Pin Allows Positive and Precise Closing Action



MODEL V1E780
Factory set for positive closing to 0 degrees

FINISHES:

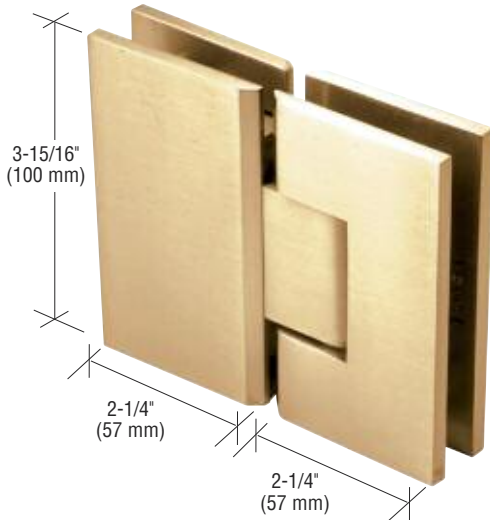


Most models are stocked in the finishes shown here, others are available on special order.

CAT. NO.	FINISH
V1E780CH	Polished Chrome
V1E780BN	Brushed Nickel
V1E780BR	Polished Brass
V1E780ORB	Oil Rubbed Bronze

Minimum order: 1 each. All Frameless Shower Door Hinges can be combined for quantity pricing. Other finishes available on special order. **NOTE:** All Shower Door Hinges are sold by the each, not in pairs. Be sure to order a minimum of two each hinges to install one door.

180 Degree Glass-to-Glass



Stocked in two models:

Standard
MODEL V1E180
Factory set for standard closing position

5 Degree Pre-Set
MODEL V1E580
Factory set for 5 degree tighter closure into shower interior

STANDARD 180 DEGREE GLASS-TO-GLASS CAT. NO.	5 DEGREE PRE-SET 180 DEGREE GLASS-TO-GLASS CAT. NO.	FINISH
V1E180CH	V1E580CH	Polished Chrome
V1E180SC	V1E580SC	Satin Chrome (Matte)
V1E180BSC	---	Brushed Satin Chrome
V1E180CBA	---	Polished Chrome/Polished Brass Center Block
V1E180BN	V1E580BN	Brushed Nickel
V1E180PN	V1E580PN	Polished Nickel
V1E180SN	---	Satin Nickel
V1E180ABN	---	Antique Brushed Nickel
V1E180BR	V1E580BR	Polished Brass
V1E180SB	---	Satin Brass
V1E180ABR	---	Antique Brass
V1E180ORB	V1E580ORB	Oil Rubbed Bronze
V1E180ABRZ	---	Antique Bronze
V1E180BBRZ	---	Brushed Bronze
V1E180ABC0	---	Antique Brushed Copper
V1E180BC0	---	Brushed Copper
V1E180GP	---	Gold Plated
V1E180GM	---	Gun Metal
V1E180AW	---	All White
V1E180BL	---	Black/Polished Chrome Center Block and Screws

Minimum order: 1 each. All Frameless Shower Door Hinges can be combined for quantity pricing. Other finishes available on special order. **NOTE:** All Shower Door Hinges are sold by the each, not in pairs. Be sure to order a minimum of two each hinges to install one door.



C.R. LAURENCE COMPANY

crlaurence.com | usalum.com

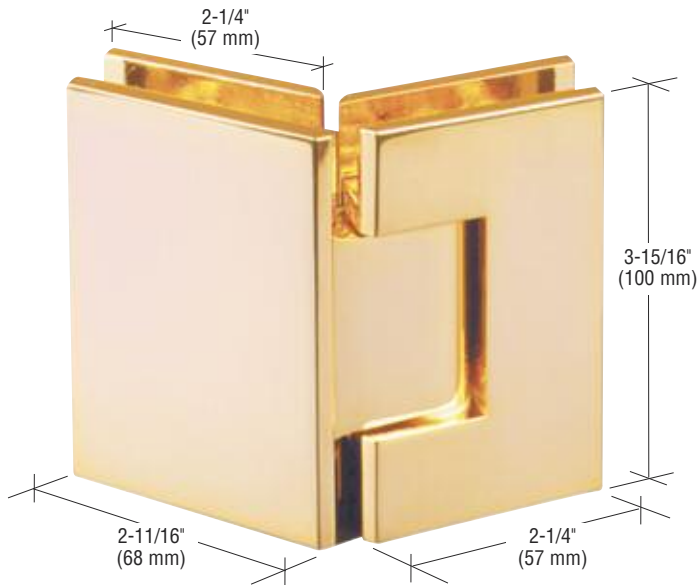
156J | crlaurence.ca crlaurence.com.au crlaurence.co.uk crlaurence.de crlaurence.eu

CRL HINGES FOR 3/8" TO 1/2" (10 TO 12 MM) GLASS

For Pricing Visit crlaurence.com or Call Us Toll Free at the Phone Numbers Shown on the Back Cover

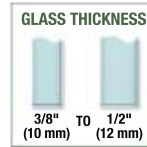
CRL Vienna Series Glass-to-Glass Hinges

135 Degree Glass-to-Glass



MODEL V1E045

Opens 90 degrees
outwards and inwards



FINISHES:

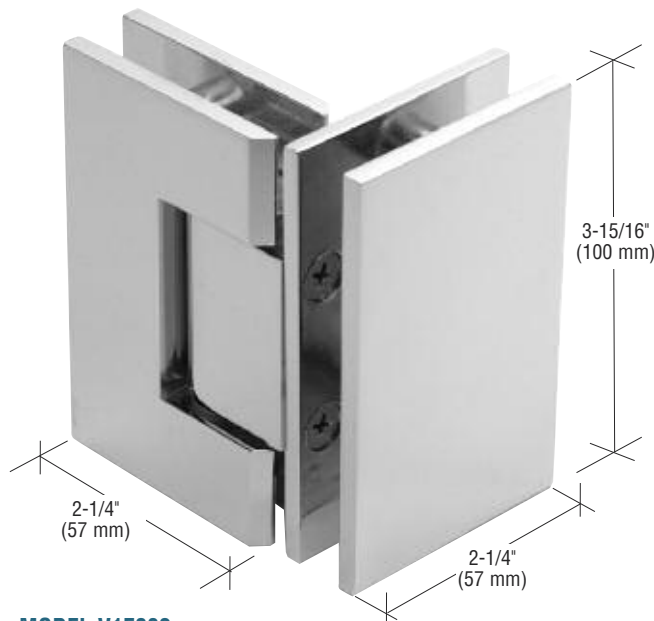


Most models are stocked in the finishes shown here, others are available on special order.

CAT. NO.	FINISH
V1E045CH	Polished Chrome
V1E045SC	Satin Chrome (Matte)
V1E045BN	Brushed Nickel
V1E045PN	Polished Nickel
V1E045SN	Satin Nickel
V1E045ABN	Antique Brushed Nickel
V1E045BR	Polished Brass
V1E045SB	Satin Brass
V1E045ABR	Antique Brass
V1E0450RB	Oil Rubbed Bronze
V1E045BBRZ	Brushed Bronze
V1E045ABC0	Antique Brushed Copper
V1E045GP	Gold Plated
V1E045GM	Gun Metal
V1E045BL	All Black

Minimum order: 1 each. All Frameless Shower Door Hinges can be combined for quantity pricing. Other finishes available on special order. **NOTE:** All Shower Door Hinges are sold by the each, not in pairs. Be sure to order a minimum of two each hinges to install one door.

90 Degree Glass-to-Glass



MODEL V1E092

Opens 90 degrees
outwards and inwards



FINISHES:



Most models are stocked in the finishes shown here, others are available on special order.

CAT. NO.	FINISH
V1E092CH	Polished Chrome
V1E092SC	Satin Chrome (Matte)
V1E092BN	Brushed Nickel
V1E092PN	Polished Nickel
V1E092SN	Satin Nickel
V1E092BR	Polished Brass
V1E092ABR	Antique Brass
V1E0920RB	Oil Rubbed Bronze
V1E092ABC0	Antique Brushed Copper

Minimum order: 1 each. All Frameless Shower Door Hinges can be combined for quantity pricing. Other finishes available on special order. **NOTE:** All Shower Door Hinges are sold by the each, not in pairs. Be sure to order a minimum of two each hinges to install one door.

CRL HINGES FOR 3/8" TO 1/2" (10 TO 12 MM) GLASS

For Pricing Visit crlaurence.com or Call Us Toll Free at the Phone Numbers Shown on the Back Cover

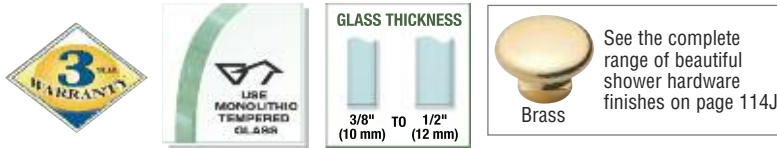
CRL Adjustable Vienna Series Hinges

- Ideal for Use When Door Does Not Meet Wall or Adjoining Glass Panel at Standard Angle
- Allows Adjustability Up to 90 Degrees From Standard Closing Position
- Adjustability Made Easy By Loosening and Tightening of Allen Set Screws After Installation
- Many Popular Stock Finishes, With Custom Finishes Available on Request



new

The Adjustable Vienna Series has taken our popular Vienna Hinge to a new level. Adjustment to accommodate the desired angle (up to 90 degrees) is done after the door is hung. Simply loosen the Allen set screws and turn the door to the desired closed position. By merely tightening the Allen screws your door will self-center to the desired closed position. The door can swing 90 degrees inward and 90 degrees outward (adjusting angle from factory set position will reduce 90 degree swing in that direction). For doors pulling outwards only (using a clear door jamb), you can adjust the hinge to close 5 degrees inside the shower area, thus having the door close snugly against the jamb.



SPECIFICATIONS

Glass Thickness: 3/8" (10 mm) to 1/2" (12 mm)

Tempered Safety Glass

Special Feature: Adjustable to any angle up to 90 degrees without having to take the door down

Material: Solid Brass

Closing Type: Self-centering when within 15 degrees of closed position

Cut-Out Required

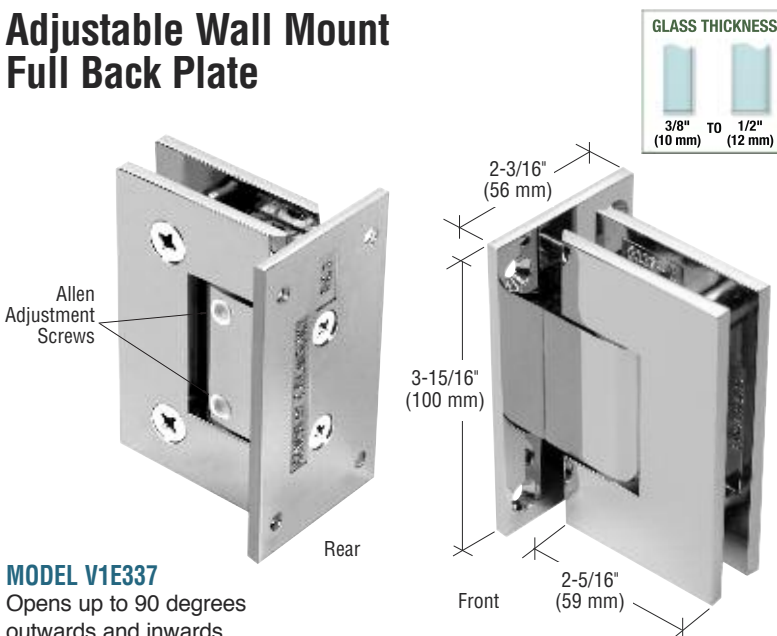
Includes: Gaskets, Phillips Screws, Allen Screws, and Glass Fabrication Dimensions

NOTE: Door glass width may require alteration from standard clearance deductions when adjusting angles. Call for details.

*MAXIMUM CAPACITIES	3/8" (10 MM) GLASS		1/2" (12 MM) GLASS	
	WEIGHT	DOOR WIDTH	WEIGHT	DOOR WIDTH
Using Two Hinges	110 lbs/50kg	36"/914 mm	110 lbs/50kg	36"/914 mm
Using Three Hinges	140 lbs/63kg	36"/914 mm	140 lbs/63kg	36"/914 mm

* NOTE: Do not exceed maximum door weight or width when choosing proper quantity of hinges.

Adjustable Wall Mount Full Back Plate



MODEL V1E337

Opens up to 90 degrees outwards and inwards



new

CAT. NO.	FINISH
V1E337CH	Polished Chrome
V1E337SC	Satin Chrome (Matte)
V1E337BSC	Brushed Satin Chrome
V1E337BN	Brushed Nickel
V1E337PN	Polished Nickel
V1E337SN	Satin Nickel
V1E337ABN	Antique Brushed Nickel
V1E337BR	Polished Brass
V1E337SB	Satin Brass
V1E337ABR	Antique Brass
V1E337ORB	Oil Rubbed Bronze
V1E337ABRZ	Antique Bronze
V1E337BBRZ	Brushed Bronze
V1E337ABCO	Antique Brushed Copper
V1E337GP	Gold Plated
V1E337WC	White/Polished Chrome Center Block and Screws
V1E337BL	Black

Minimum order: 1 each. All Frameless Shower Door Hinges can be combined for quantity pricing. Other finishes available on special order. **NOTE:** All Shower Door Hinges are sold by the each, not in pairs. Be sure to order a minimum of two each hinges to install one door.



C.R. LAURENCE COMPANY

crlaurence.com | usalum.com

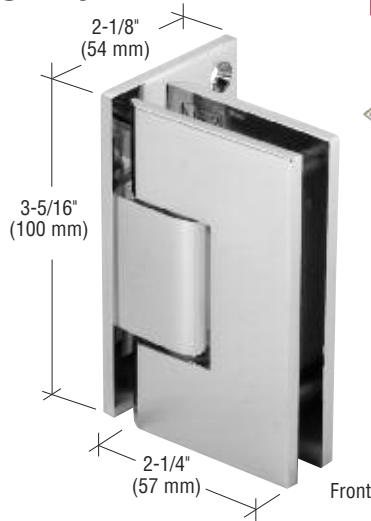
158J | crlaurence.ca crlaurence.com.au crlaurence.co.uk crlaurence.de crlaurence.eu

CRL HINGES FOR 3/8" TO 1/2" (10 TO 12 MM) GLASS

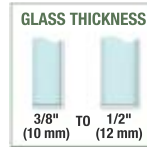
For Pricing Visit crlaurence.com or Call Us Toll Free at the Phone Numbers Shown on the Back Cover

CRL Adjustable Vienna Series Hinges

Adjustable Offset Wall Mount Plate



MODEL V1E344
Opens up to 90 degrees outwards and inwards



FINISHES:

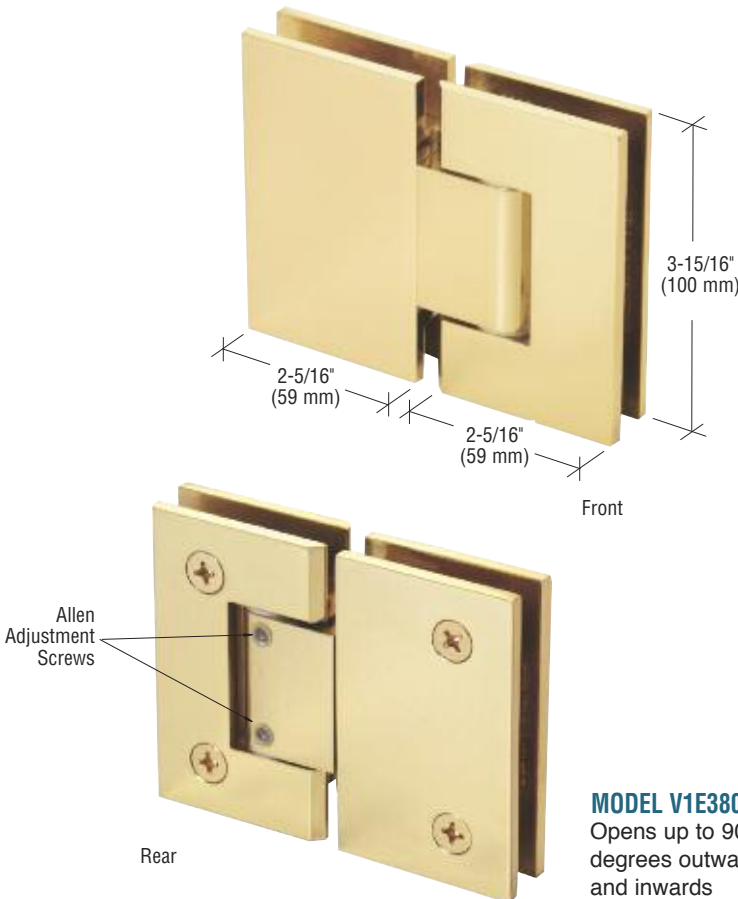


Most models are stocked in the finishes shown here, others are available on special order.

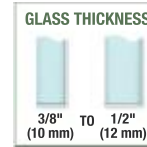
CAT. NO.	FINISH
V1E344CH	Polished Chrome
V1E344BN	Brushed Nickel
V1E3440RB	Oil Rubbed Bronze

Minimum order: 1 each. All Frameless Shower Door Hinges can be combined for quantity pricing. Other finishes available on special order. **NOTE:** All Shower Door Hinges are sold by the each, not in pairs. Be sure to order a minimum of two each hinges to install one door.

Adjustable 180 Degree Glass-to-Glass



MODEL V1E380
Opens up to 90 degrees outwards and inwards



FINISHES:



Most models are stocked in the finishes shown here, others are available on special order.

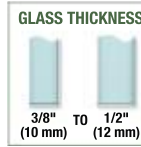
CAT. NO.	FINISH
V1E380CH	Polished Chrome
V1E380SC	Satin Chrome
V1E380BSC	Brushed Satin Chrome
V1E380BN	Brushed Nickel
V1E380PN	Polished Nickel
V1E380SN	Satin Nickel
V1E380ABN	Antique Brushed Nickel
V1E380BR	Polished Brass
V1E380SB	Satin Brass
V1E380ABR	Antique Brass
V1E3800RB	Oil Rubbed Bronze
V1E380ABRZ	Antique Bronze
V1E380BBRZ	Brushed Bronze
V1E380ABCO	Antique Brushed Copper
V1E380GP	Gold Plated
V1E380WC	White With Chrome Center Block
V1E380BL	Black

Minimum order: 1 each. All Frameless Shower Door Hinges can be combined for quantity pricing. Other finishes available on special order. **NOTE:** All Shower Door Hinges are sold by the each, not in pairs. Be sure to order a minimum of two each hinges to install one door.

CRL HINGES FOR 3/8" TO 1/2" (10 TO 12 MM) GLASS

For Pricing Visit crlaurence.com or Call Us Toll Free at the Phone Numbers Shown on the Back Cover

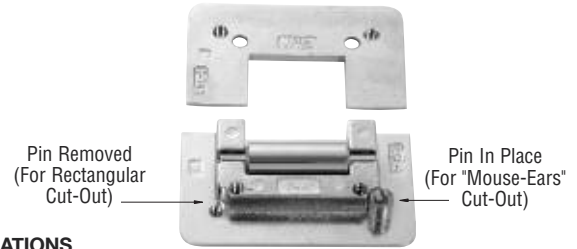
CRL Cologne Series Hinges



- Sister Hinge to the Popular Vienna Series, Utilizing the Same Internal Mechanism
- Attractive Radius Corners and Beveled Edges
- Choose CRL Standard "Mouse-Ear" Cut-Out, or Optional "Rectangular" Cut-Out
- Contains Reversible Pivot Pin



Cologne Hinges are similar to the popular Vienna Hinges, but with one change: They have radius corners and beveled edges to provide a sleek appearance. Cologne Hinges are the solution for wider, heavier doors that traditional hinges are not strong enough to support. Two strategically placed steel pins inside the hinge provide template options, and satisfy two schools of thought for mounting shower door hinges. For the safety of "mouse-ears" type cut-outs, the two steel pins should be left in place. This allows the Cologne Hinge to be used with it's own CRL "mouse-ears" cut-out. On the other hand, to enable increased adjustability, the two pins can be removed. This allows the Cologne Hinge to fit it's own CRL rectangular shaped, square cornered cut-out. In some cases, it will also fit some competitive rectangular, square cornered cut-outs.



SPECIFICATIONS

- Glass Thickness Range:** 3/8" to 1/2" (10 to 12 mm) Tempered Safety Glass
- Material:** Solid Brass
- Hinge Swings:** 90 Degrees Inwards and Outwards
- Closing Type:** Self-Centering When Within 15 Degrees of Closed Position
- Cut-Out Required** Except Model COL092 which requires cut-out in door and holes in fixed panel
- Includes:** Gaskets, Phillips Screws, Allen Screws, and Glass Fabrication Dimensions

ALL COLOGNE HINGES EXCEPT COL044 AND COL544 MODELS

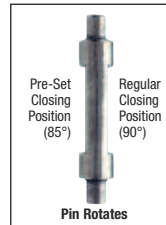
*MAXIMUM CAPACITIES	3/8" (10 MM) GLASS		1/2" (12 MM) GLASS	
	WEIGHT	DOOR WIDTH	WEIGHT	DOOR WIDTH
Using Two Hinges	110 lbs/50 kg	36"/914 mm	110 lbs/50 kg	36"/914 mm
Using Three Hinges	140 lbs/63 kg	36"/914 mm	140 lbs/63 kg	36"/914 mm

* NOTE: Do not exceed maximum door weight or width when choosing proper quantity of hinges.

FOR COL044 AND COL544 MODELS ONLY

*MAXIMUM CAPACITIES	3/8" (10 MM) GLASS		1/2" (12 MM) GLASS	
	WEIGHT	DOOR WIDTH	WEIGHT	DOOR WIDTH
Using Two Hinges	100 lbs/45 kg	34"/864 mm	100 lbs/45 kg	32"/813 mm
Using Three Hinges	130 lbs/59 kg	34"/864 mm	130 lbs/59 kg	32"/813 mm

* NOTE: Do not exceed maximum door weight or width when choosing proper quantity of hinges.



STANDARD REVERSIBLE PIVOT PIN

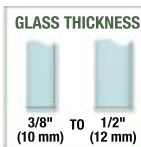
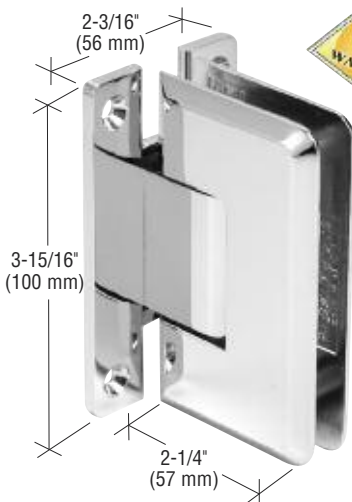
Each Cologne Hinge contains a Reversible Pivot Pin. One side of the Pin is marked at 90 degrees. The opposite side of the Pin is marked 85 degrees. Standard Cologne Hinges come with the 90 degree side activated.



CUSTOM PIVOT PIN

Custom Pivot Pins are available to accommodate "off-angle" installations. As an example, you may encounter a wall that will not meet your door at 90 degrees. If the standard 5 Degree Pivot Pin contained in the hinge does not assist in closing the door to the position desired, you may specify the angle needed for a Custom Pivot Pin (up to 45 degrees).

Wall Mount Full Back Plate



Stocked in two models:

Standard
MODEL COL037
Factory set for standard closing position

5 Degree Pre-Set
MODEL COL537
Factory set for 5 degree tighter closure into shower interior

STANDARD WALL MOUNT CAT. NO.	5 DEGREE PRE-SET WALL MOUNT CAT. NO.	FINISH
COL037CH	COL537CH	Polished Chrome
COL037SC	---	Satin Chrome (Matte)
COL037BSC	---	Brushed Satin Chrome
COL037CBA	---	Polished Chrome/Polished Brass Center Block
COL037BN	COL537BN	Brushed Nickel
COL037PN	---	Polished Nickel
COL037SN	---	Satin Nickel
COL037ABN	---	Antique Brushed Nickel
COL037BR	COL537BR	Polished Brass
COL037SB	---	Satin Brass
COL037ABR	---	Antique Brass
COL037ORB	COL537ORB	Oil Rubbed Bronze
COL037ABRZ	---	Antique Bronze
COL037BRZ	---	Brushed Bronze
COL037ABCO	---	Antique Brushed Copper
COL037BCO	---	Brushed Copper
COL037GP	---	Gold Plated
COL037GM	---	Gun Metal
COL037AW	---	All White

Minimum order: 1 each. All Frameless Shower Door Hinges can be combined for quantity pricing. Other finishes available on special order. NOTE: All Shower Door Hinges are sold by the each, not in pairs. Be sure to order a minimum of two each hinges to install one door.



C.R. LAURENCE COMPANY

crlaurence.com | usalum.com

160J | crlaurence.ca crlaurence.com.au crlaurence.co.uk crlaurence.de crlaurence.eu

CRL HINGES FOR 3/8" TO 1/2" (10 TO 12 MM) GLASS

For Pricing Visit crlaurence.com or Call Us Toll Free at the Phone Numbers Shown on the Back Cover

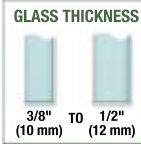
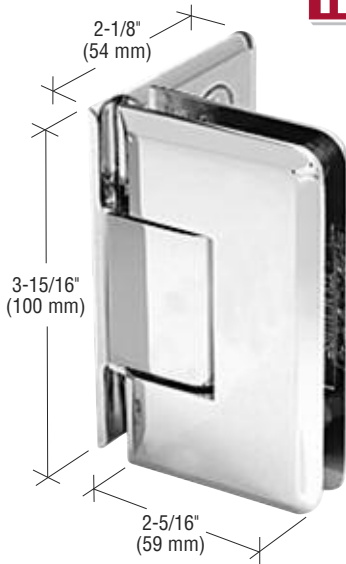
CRL Cologne Series Hinges Wall Mount Offset Back Plate



See the complete range of beautiful shower hardware finishes on page 114J



new



Stocked in two models:

Standard
MODEL COL044
Factory set for standard closing position

5 Degree Pre-Set
MODEL COL544
Factory set for 5 degree tighter closure into shower interior

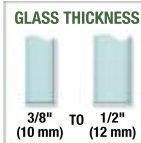
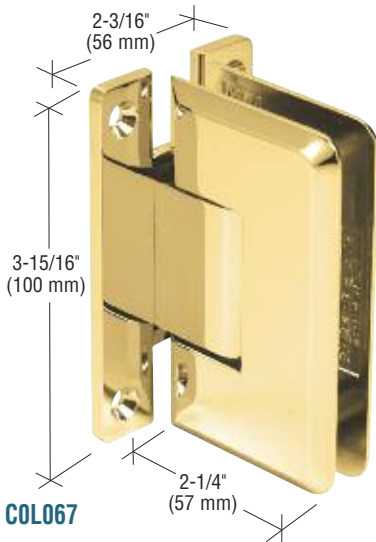
STANDARD WALL MOUNT CAT. NO.	5 DEGREE PRE-SET WALL MOUNT CAT. NO.	FINISH
COL044CH	COL544CH	Polished Chrome
COL044SC	---	Satin Chrome (Matte)
COL044BSC	---	Brushed Satin Chrome
COL044CBA	---	Polished Chrome/Polished Brass Center Block
COL044BN	COL544BN	Brushed Nickel
COL044PN	---	Polished Nickel
COL044SN	---	Satin Nickel
COL044ABN	---	Antique Brushed Nickel
COL044BR	---	Polished Brass
COL044SB	---	Satin Brass
COL044ABR	---	Antique Brass
COL044ORB	COL544ORB	Oil Rubbed Bronze
COL044ABRZ	---	Antique Bronze
COL044BRZ	---	Brushed Bronze
COL044ABCO	---	Antique Brushed Copper
COL044GP	---	Gold Plated
COL044AW	---	All White

Minimum order: 1 each. All Frameless Shower Door Hinges can be combined for quantity pricing. Other finishes available on special order. **NOTE:** All Shower Door Hinges are sold by the each, not in pairs. Be sure to order a minimum of two each hinges to install one door.

Wall Mount Positive Close

new

- Special Grooved Internal Pivot Pin Allows Positive and Precise Closing Action



MODEL COL067

Factory set for positive closing to 0 degrees

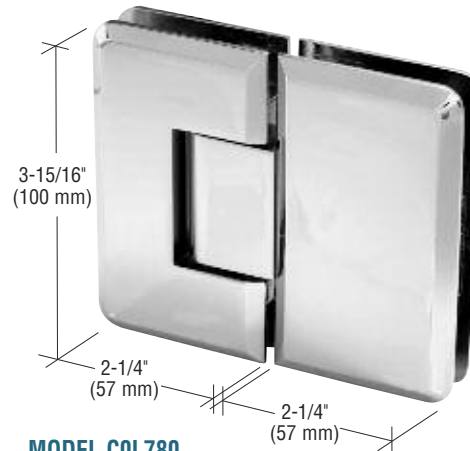
CAT. NO.	FINISH
COL067CH	Polished Chrome
COL067BN	Brushed Nickel
COL067BR	Polished Brass
COL067ORB	Oil Rubbed Bronze

Minimum order: 1 each. All Frameless Shower Door Hinges can be combined for quantity pricing. Other finishes available on special order. **NOTE:** All Shower Door Hinges are sold by the each, not in pairs. Be sure to order a minimum of two each hinges to install one door.

180 Degree Glass-to-Glass Positive Close

new

- Special Grooved Internal Pivot Pin Allows Positive and Precise Closing Action



MODEL COL780

Factory set for positive closing to 0 degrees

CAT. NO.	FINISH
COL780CH	Polished Chrome
COL780BN	Brushed Nickel
COL780BR	Polished Brass
COL780ORB	Oil Rubbed Bronze

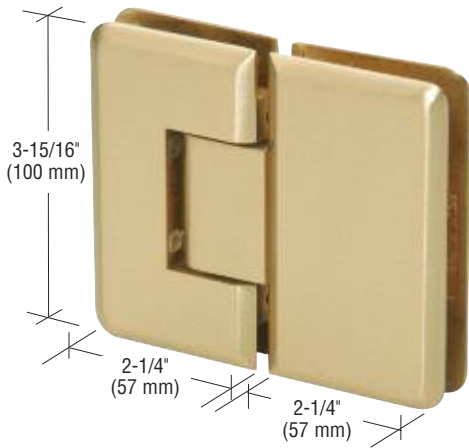
Minimum order: 1 each. All Frameless Shower Door Hinges can be combined for quantity pricing. Other finishes available on special order. **NOTE:** All Shower Door Hinges are sold by the each, not in pairs. Be sure to order a minimum of two each hinges to install one door.

CRL HINGES FOR 3/8" TO 1/2" (10 TO 12 MM) GLASS

For Pricing Visit crlaurence.com or Call Us Toll Free at the Phone Numbers Shown on the Back Cover

CRL Cologne Series Glass-to-Glass Hinges

180 Degree Glass-to-Glass



MODEL COL180

Opens 90 degrees outwards and inwards

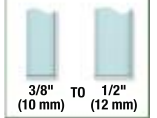
FINISHES:



Most models are stocked in the finishes shown here, others are available on special order.



GLASS THICKNESS



CAT. NO.

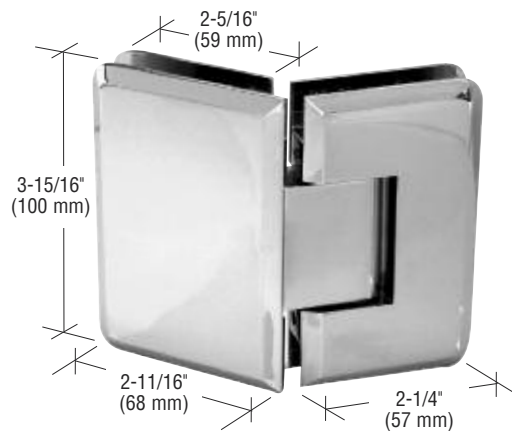
- COL180CH
- COL180SC
- COL180BSC
- COL180CBA
- COL180BN
- COL180PN
- COL180SN
- COL180ABN
- COL180BR
- COL180SB
- COL180ABR
- COL1800RB
- COL180BBRZ
- COL180AW

FINISH

- Polished Chrome
- Satin Chrome (Matte)
- Brushed Satin Chrome
- Polished Chrome/Polished Brass Center Block
- Brushed Nickel
- Polished Nickel
- Satin Nickel
- Antique Brushed Nickel
- Polished Brass
- Satin Brass
- Antique Brass
- Oil Rubbed Bronze
- Brushed Bronze
- All White

Minimum order: 1 each. All Frameless Shower Door Hinges can be combined for quantity pricing. Other finishes available on special order. **NOTE:** All Shower Door Hinges are sold by the each, not in pairs. Be sure to order a minimum of two each hinges to install one door.

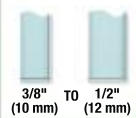
135 Degree Glass-to-Glass



MODEL COL045

Opens 90 degrees outwards and inwards

GLASS THICKNESS



CAT. NO.

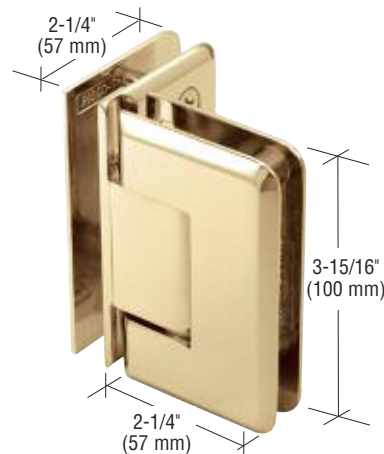
- COL045CH
- COL045SC
- COL045BSC
- COL045BN
- COL045PN
- COL045BR
- COL045SB
- COL045ABR
- COL0450RB
- COL045ABC0

FINISH

- Polished Chrome
- Satin Chrome (Matte)
- Brushed Satin Chrome
- Brushed Nickel
- Polished Nickel
- Polished Brass
- Satin Brass
- Antique Brass
- Oil Rubbed Bronze
- Antique Brushed Copper

Minimum order: 1 each. All Frameless Shower Door Hinges can be combined for quantity pricing. Other finishes available on special order. **NOTE:** All Shower Door Hinges are sold by the each, not in pairs. Be sure to order a minimum of two each hinges to install one door.

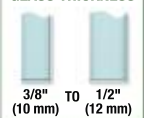
90 Degree Glass-to-Glass



MODEL COL092

Opens 90 degrees outwards and inwards

GLASS THICKNESS



CAT. NO.

- COL092CH
- COL092SC
- COL092BN
- COL092PN
- COL092BR
- COL092ORB

FINISH

- Polished Chrome
- Satin Chrome (Matte)
- Brushed Nickel
- Polished Nickel
- Polished Brass
- Oil Rubbed Bronze

Minimum order: 1 each. All Frameless Shower Door Hinges can be combined for quantity pricing. Other finishes available on special order. **NOTE:** All Shower Door Hinges are sold by the each, not in pairs. Be sure to order a minimum of two each hinges to install one door.



C.R. LAURENCE COMPANY

crlaurence.com | usalum.com

162J | crlaurence.ca crlaurence.com.au crlaurence.co.uk crlaurence.de crlaurence.eu

CRL Adjustable Cologne Series Hinges

- Ideal for Use When Door Does Not Meet Wall or Adjoining Glass Panel at Standard Angle
- Allows Adjustability Up to 90 Degrees From Standard Closing Position
- Adjustability Made Easy By Loosening and Tightening of Allen Set Screws After Installation
- Many Popular Stock Finishes, With Custom Finishes Available on Request



new

The Adjustable Cologne Series has taken our popular Cologne Hinge to a new level. Adjustment to accommodate the desired angle (up to 90 degrees) is done after the door is installed. Once the door is hung, simply loosen the Allen set screws and turn the door to the desired closed position. By merely tightening the Allen screws your door will self-center to the desired angle. The door can swing 90 degrees inward and 90 degrees outward (adjusting angle from factory set position will reduce 90 degree swing in that direction). For doors pulling outwards only (using a clear door jamb), you can adjust the hinge to close 5 degrees inside the shower area, thus having the door close snugly against the jamb.



GLASS THICKNESS

See the complete range of beautiful shower hardware finishes on page 114J

Brass

*MAXIMUM CAPACITIES	3/8" (10 MM) GLASS		1/2" (12 MM) GLASS	
	WEIGHT	DOOR WIDTH	WEIGHT	DOOR WIDTH
Using Two Hinges	110 lbs/50kg	36"/914 mm	110 lbs/50kg	36"/914 mm
Using Three Hinges	140 lbs/63kg	36"/914 mm	140 lbs/63kg	36"/914 mm

* NOTE: Do not exceed maximum door weight or width when choosing proper quantity of hinges.

SPECIFICATIONS

Glass Thickness: 3/8" (10 mm) to 1/2" (12 mm)

Tempered Safety Glass

Special Feature: Adjustable to any angle up to 90 degrees without having to take the door down

Material: Solid Brass

Closing Type: Self-centering when within 15 degrees of closed position

Cut-Out Required

Includes: Gaskets, Phillips Screws, Allen Screws, and Glass Fabrication Dimensions

NOTE: Door glass width may require alteration from standard clearance deductions when adjusting angles. Call for details.

Adjustable Wall Mount Full Back Plate

GLASS THICKNESS

MODEL COL337

Opens up to 90 degrees outwards and inwards

new

CAT. NO.	FINISH
COL337CH	Polished Chrome
COL337SC	Satin Chrome (Matte)
COL337BSC	Brushed Satin Chrome
COL337BN	Brushed Nickel
COL337PN	Polished Nickel
COL337SN	Satin Nickel
COL337ABN	Antique Brushed Nickel
COL337BR	Polished Brass
COL337SB	Satin Brass
COL337ABR	Antique Brass
COL337ORB	Oil Rubbed Bronze
COL337ABRZ	Antique Bronze
COL337BBRZ	Brushed Bronze
COL337ABCO	Antique Brushed Copper
COL337GP	Gold Plated
COL337WC	White/Polished Chrome Center Block and Screws
COL337BL	Black

Minimum order: 1 each. All Frameless Shower Door Hinges can be combined for quantity pricing. Other finishes available on special order. **NOTE:** All Shower Door Hinges are sold by the each, not in pairs. Be sure to order a minimum of two each hinges to install one door.

CRL HINGES FOR 3/8" TO 1/2" (10 TO 12 MM) GLASS

For Pricing Visit crlaurence.com or Call Us Toll Free at the Phone Numbers Shown on the Back Cover

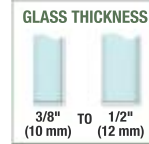
CRL Adjustable Cologne Series Hinges

Adjustable 180 Degree Glass-to-Glass

new



Certification
(See Page 107J)



FINISHES:



Most models are stocked in the finishes shown here, others are available on special order.

CAT. NO.	FINISH
COL380CH	Polished Chrome
COL380SC	Satin Chrome
COL380BN	Brushed Nickel
COL380BR	Polished Brass
COL380RB	Oil Rubbed Bronze

Minimum order: 1 each. All Frameless Shower Door Hinges can be combined for quantity pricing. Other finishes available on special order. **NOTE:** All Shower Door Hinges are sold by the each, not in pairs. Be sure to order a minimum of two each hinges to install one door.



C.R. LAURENCE COMPANY

crlaurence.com | usalum.com

164J | crlaurence.ca crlaurence.com.au crlaurence.co.uk crlaurence.de crlaurence.eu

CRL Frameless Shower Door Hinge and Pull Handle or Knob Sets

- Our Five Most Popular Hinge Series
- Our Four Most Popular Finishes
- Our Best-Selling Pull Handle and Knob
- All Together in Easy-To-Order Sets



FINISHES:



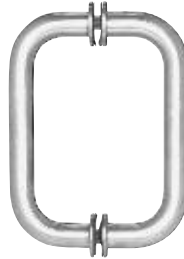
Most models are stocked in the finishes shown here, others are available on special order.



We've made it even easier for you to get two of our most popular Hinges and our best-selling Pull Handle or Knob by combining them in one easy-to-order set. These Wall Mount Hinges or Top and Bottom Mount Pivot Hinges make up over 90% of our demand, and there is sure to be a style that will satisfy even your most demanding customers.

Vienna Series

Hinges for 3/8" to 1/2" (10 to 12 mm) Glass



CAT. NO.	FINISH
V1ES3CH	Polished Chrome
V1ES3BN	Brushed Nickel
V1ES3BR	Polished Brass
V1ES3ORB	Oil Rubbed Bronze

Set contains two each V1E037 Wall Mount Hinges plus one set BM6X6 Pull Handles With Metal Washers.

Minimum order: 1 set. All Hinge and Handle or Knob Sets can be combined for quantity pricing.

Cologne Series

Hinges for 3/8" to 1/2" (10 to 12 mm) Glass



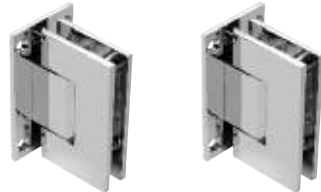
CAT. NO.	FINISH
COLS3CH	Polished Chrome
COLS3BN	Brushed Nickel
COLS3BR	Polished Brass
COLS3ORB	Oil Rubbed Bronze

Set contains two each COL037 Wall Mount Hinges plus one set BM6X6 Pull Handles With Metal Washers.

Minimum order: 1 set. All Hinge and Handle or Knob Sets can be combined for quantity pricing.

Geneva Series

Hinges for 5/16" to 1/2" (8 to 12 mm) Glass



CAT. NO.	FINISH
GENS3CH	Polished Chrome
GENS3BN	Brushed Nickel
GENS3BR	Polished Brass
GENS3ORB	Oil Rubbed Bronze

Set contains two each GEN037 Wall Mount Hinges plus one set BM6X6 Pull Handles With Metal Washers.

Minimum order: 1 set. All Hinge and Handle or Knob Sets can be combined for quantity pricing.

Pinnacle Series

Hinges for 5/16" to 1/2" (8 to 12 mm) Glass



CAT. NO.	FINISH
P1NS3CH	Polished Chrome
P1NS3BN	Brushed Nickel
P1NS3BR	Polished Brass
P1NS3ORB	Oil Rubbed Bronze

Set contains two each P1N037 Wall Mount Hinges plus one set BM6X6 Pull Handles With Metal Washers.

Minimum order: 1 set. All Hinge and Handle or Knob Sets can be combined for quantity pricing.

Geneva Series

Hinges for 5/16" to 1/2" (8 to 12 mm) Glass



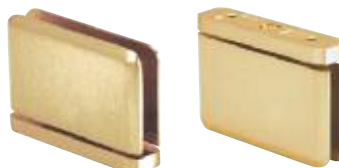
CAT. NO.	FINISH
GENS6CH	Polished Chrome
GENS6BN	Brushed Nickel
GENS6BR	Polished Brass
GENS6ORB	Oil Rubbed Bronze

Set contains two each GEN037 Wall Mount Hinges plus one SDK106 Back-to-Back Contemporary Knob.

Minimum order: 1 set. All Hinge and Handle or Knob Sets can be combined for quantity pricing.

Prima Series

Top and Bottom Mount Pivot Hinges for 5/16" to 3/8" (8 to 10 mm) Glass



CAT. NO.	FINISH
PPHS3CH	Polished Chrome
PPHS3BN	Brushed Nickel
PPHS3BR	Polished Brass
PPHS3ORB	Oil Rubbed Bronze

Set contains two each PPH01 Top and Bottom Mount Pivot Hinges plus one set BM6X6 Pull Handles With Metal Washers.

Minimum order: 1 set. All Hinge and Handle or Knob Sets can be combined for quantity pricing.

CRL HINGES FOR 3/8" TO 1/2" (10 TO 12 MM) GLASS

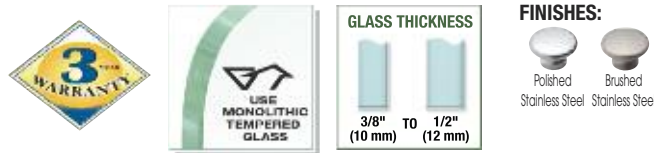
For Pricing Visit crlaurence.com or Call Us Toll Free at the Phone Numbers Shown on the Back Cover

CRL Ultimate Series Hinges

- All Stainless Steel Construction Makes This Hinge the Ideal Choice for Environments Subject to Accelerated Corrosion
- Internal Hinge Mechanism is Same as Popular Geneva Series
- Contains Reversible Pivot Pin



Featuring the same beautiful rounded corners and beveled edges of the Pinnacle Hinge, the Ultimate Hinge is constructed entirely of stainless steel. This all-stainless construction gives the Ultimate Hinge a durability not usually found in brass hinges. The Ultimate has superior longevity in conditions of accelerated corrosion, such as seaside communities with high atmospheric salt levels. The Ultimate Hinge has stainless steel plunger tips, pins, and springs to ensure long service life and reliable door closure. It also has the same Reversible 5 Degree Pivot Pin featured in our Geneva, Cathedral, Pinnacle, Roman, and Elite Series Hinges (see page 136J). A Custom Pivot Pin is available for "off-angle" installations.



SPECIFICATIONS

Glass Thickness Range: 3/8" (10 mm) to 1/2" (12 mm)
Tempered Safety Glass

Special Feature: Stainless steel construction provides greater durability in conditions subject to accelerated corrosion, such as seaside communities with high atmospheric salt levels

Construction: Stainless Steel

Hinge Swings: 90 Degrees Inwards, and Outwards

Closing Type: Self-Centering When Within 15 Degrees of Closed Position

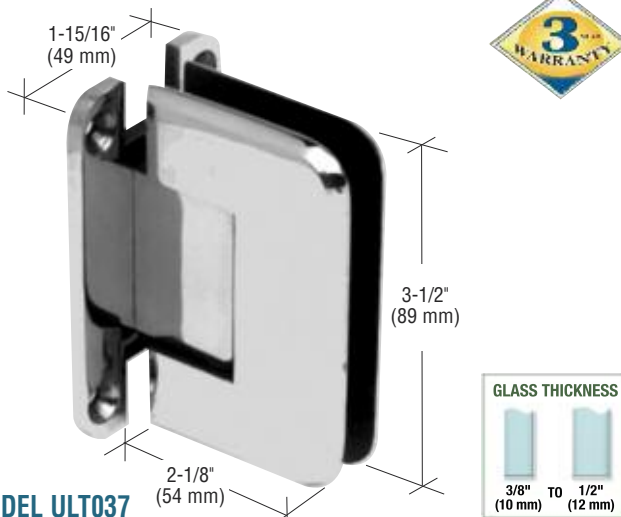
Cut-Out Required

Includes: Gaskets, Phillips Screws, Allen Screws, and Glass Fabrication Dimensions

*MAXIMUM CAPACITIES	3/8" (10 MM) GLASS		1/2" (12 MM) GLASS	
	WEIGHT	DOOR WIDTH	WEIGHT	DOOR WIDTH
Using Two Hinges	95 lbs/43 kg	30"/762 mm	95 lbs/43 kg	30"/762 mm
Using Three Hinges	130 lbs/59 kg	32"/813 mm	130 lbs/59 kg	32"/813 mm

* NOTE: Do not exceed maximum door weight or width when choosing proper quantity of hinges.

Wall Mount



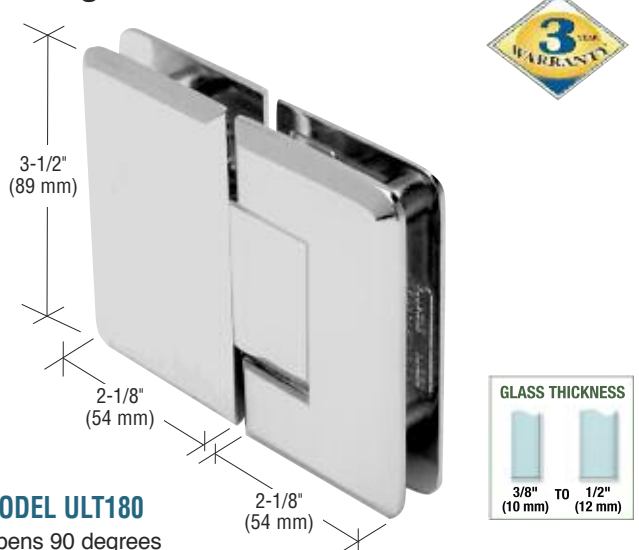
MODEL ULT037

Opens 90 degrees inwards and outwards

CAT. NO.	FINISH
ULT037SS	Brushed Stainless
ULT037PS	Polished Stainless

Minimum order: 1 each. All Frameless Shower Door Hinges can be combined for quantity pricing. **NOTE:** All Shower Door Hinges are sold by the each, not in pairs. Be sure to order a minimum of two each hinges to install one door.

180 Degree Glass-to-Glass



MODEL ULT180

Opens 90 degrees inwards and outwards

CAT. NO.	FINISH
ULT180SS	Brushed Stainless
ULT180PS	Polished Stainless

Minimum order: 1 each. All Frameless Shower Door Hinges can be combined for quantity pricing. **NOTE:** All Shower Door Hinges are sold by the each, not in pairs. Be sure to order a minimum of two each hinges to install one door.



C.R. LAURENCE COMPANY

crlaurence.com | usalum.com

166J | crlaurence.ca crlaurence.com.au crlaurence.co.uk crlaurence.de crlaurence.eu

CRL HINGES FOR 3/8" TO 1/2" (10 TO 12 MM) GLASS

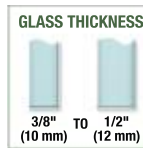
For Pricing Visit crlaurence.com or Call Us Toll Free at the Phone Numbers Shown on the Back Cover

CRL Elite Series Hinges

- Excellent Choice for Wider and Heavier Doors
- Offers Mounting Options for Design Flexibility
- Contains Reversible Pivot Pin



The Elite Series is a premium hinge for wider and heavier glass doors. Unlike most other hinges, the Elite can be side mounted on the top and bottom corners of the door, or anywhere in between. Containing a positive three-screw clamping system, the Elite Hinge incorporates a cut-out and hole which eliminates slippage. The Elite features the same 5 Degree Reversible Pivot Pin used in our Geneva, Cathedral, Pinnacle, Roman, and Ultimate Series Hinges. It can also use the "GENP1N" Custom Pivot Pin (shown below) for "off-angle" installations.



SPECIFICATIONS:

Glass Thickness Range: 3/8" (10 mm) to 1/2" (12 mm)
Tempered Safety Glass

Special Feature: Has the ability to be side mounted at the top and bottom corners of the door, or anywhere in between. Corner mounting allows more glass exposure

Material: Solid Brass

Hinge Swings: 90 Degrees Inwards and Outwards

Closing Type: Self-Centering When Within 15 Degrees of Closed Position

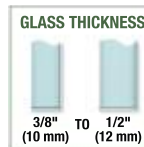
Cut-Out and Hole Required

Includes: Gaskets, Phillips Screws, Allen Screws, and Glass Fabrication Dimensions

*MAXIMUM CAPACITIES	3/8" (10 MM) GLASS		1/2" (12 MM) GLASS	
	WEIGHT	DOOR WIDTH	WEIGHT	DOOR WIDTH
Using Two Hinges	95 lbs/43 kg	34"/864 mm	95 lbs/43 kg	34"/864 mm
Using Three Hinges	140 lbs/64 kg	38"/965 mm	140 lbs/64 kg	38"/965 mm

*NOTE: Do not exceed maximum door weight or width when choosing proper quantity of hinges.

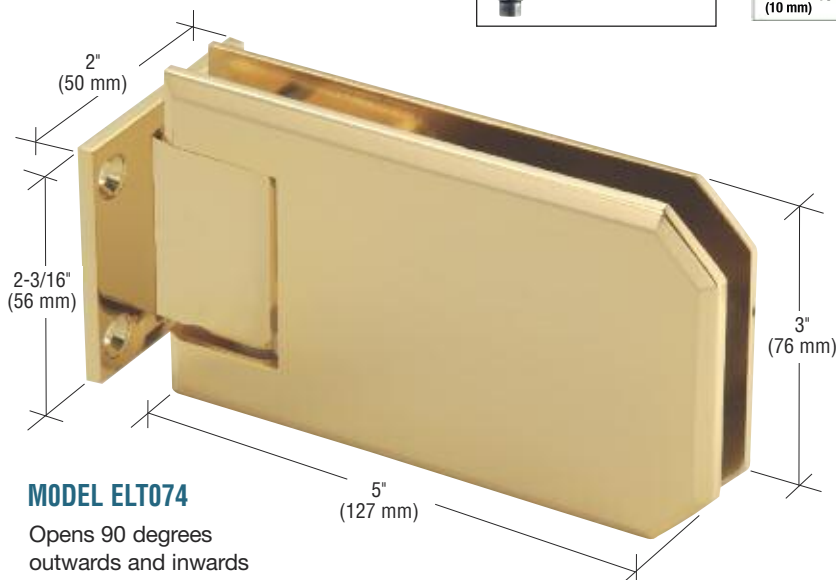
Wall Mount



FINISHES:



Most models are stocked in the finishes shown here, others are available on special order.



CAT. NO.	FINISH
ELT074CH	Polished Chrome
ELT074SC	Satin Chrome (Matte)
ELT074BSC	Brushed Satin Chrome
ELT074BN	Brushed Nickel
ELT074PN	Polished Nickel
ELT074BR	Polished Brass
ELT074SB	Satin Brass
ELT074ABR	Antique Brass
ELT074ORB	Oil Rubbed Bronze
ELT074GP	Gold Plated
ELT074W	White/Polished Chrome Center Block and Screws

Minimum order: 1 each. All Frameless Shower Door Hinges can be combined for quantity pricing. Other finishes available on special order. NOTE: All Shower Door Hinges are sold by the each, not in pairs. Be sure to order a minimum of two each hinges to install one door.

CRL HINGES FOR 5/16" TO 1/2" (8 TO 12 MM) GLASS

For Pricing Visit crlaurence.com or Call Us Toll Free at the Phone Numbers Shown on the Back Cover

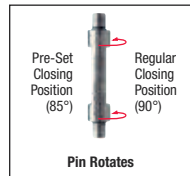
CRL Roman Series Hinges

- Contain Same Internal Mechanism as Our Popular Geneva Series Hinges
- Wall Mount Full Back Plate Model Also Offers 5 Degree Pre-Set Model
- Rounded Corners Ideal for Softer Décor
- Contains Reversible Pivot Pin

Roman Series Hinges contain the same internal mechanism as our popular Geneva Series Hinges, thus providing the same reliability and high performance. The rounded corners of the hinge plates provide a nice blend in a soft décor. Roman Series Hinges accommodate 5/16" to 1/2" (8 to 12 mm) thick glass, and are self-centering within 15 degrees of the closed position. Hinges are constructed of solid brass, and have stainless steel plunger tips, pins, and springs to ensure long service life and reliable door closure. Roman Series Hinges contain the same Reversible Pivot Pin used in our Geneva Series and many other hinges. A Custom Pivot Pin (GENP1N) is also available for "off-angle" installations (see below).

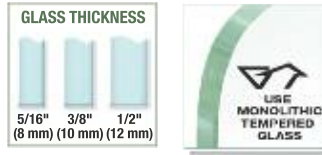
*MAXIMUM CAPACITIES	5/16" AND 3/8" (8 AND 10 MM) GLASS		1/2" (12 MM) GLASS	
	WEIGHT	DOOR WIDTH	WEIGHT	DOOR WIDTH
Using Two Hinges	80 lbs/36 kg	28"/711 mm	80 lbs/36 kg	28"/711 mm
Using Three Hinges	120 lbs/54 kg	32"/813 mm	120 lbs/54 kg	32"/813 mm

* NOTE: Do not exceed maximum door weight or width when choosing proper quantity of hinges.



STANDARD REVERSIBLE PIVOT PIN

Each Roman Hinge contains a Reversible Pivot Pin. One side of the Pin is marked at 90 degrees. The opposite side of the Pin is marked 85 degrees. Standard Roman Hinges come with the 90 degree side activated. Pre-Set Roman Models come with the Pin pre-set for 85 degrees (5 degrees tighter closure into shower interior). The Pin can be rotated (not flipped upside down) to activate the other side.



See the complete range of beautiful shower hardware finishes on page 114J



SPECIFICATIONS

Glass Thickness Range: 5/16" to 1/2" (8 to 12 mm)
Tempered Safety Glass

Material: Solid Brass

Hinge Swings: 90 Degrees Inwards and Outwards

Closing Type: Self-Centering When Within 15 Degrees of Closed Position

Cut-Out Required: Except Model ROM092 which requires cut-out in door and holes in fixed panel.

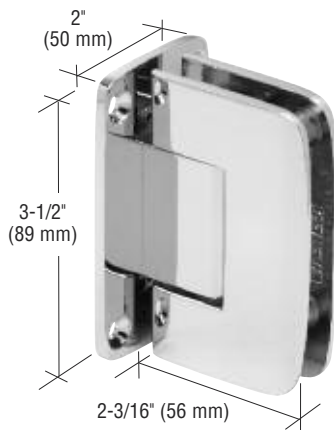
Includes: Gaskets, Phillips Screws, Allen Screws, and Glass Fabrication Dimensions



CUSTOM PIVOT PIN

Custom Pivot Pins are available to accommodate "off-angle" installations. As an example, you may encounter a wall that will not meet your door at 90 degrees. If the Standard Reversible Pivot Pin contained in the hinge does not assist in closing the door to the position desired, you may specify the angle needed for a Custom Pivot Pin (up to 45 degrees).

Wall Mount Full Back Plate



Stocked in two models:

Standard
MODEL ROM037
Factory set for standard closing position

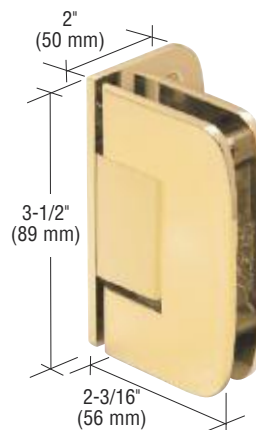
5 Degree Pre-Set
MODEL ROM537
Factory set for 5 degree tighter closure into shower interior



STANDARD WALL MOUNT CAT. NO.	5 DEGREE PRE-SET WALL MOUNT CAT. NO.	FINISH
ROM037CH	ROM537CH	Polished Chrome
ROM037SC	---	Satin Chrome (Matte)
ROM037BN	---	Brushed Nickel
ROM037PN	---	Polished Nickel
ROM037BR	ROM537BR	Polished Brass
ROM037ORB	---	Oil Rubbed Bronze

Minimum order: 1 each. All Frameless Shower Door Hinges can be combined for quantity pricing. Other finishes available on special order. **NOTE:** All Shower Door Hinges are sold by the each, not in pairs. Be sure to order a minimum of two each hinges to install one door.

Wall Mount Offset Back Plate



MODEL ROM044

Opens 90 degrees outwards and inwards

Allows clean sight line from shower exterior



CAT. NO.	FINISH
ROM044CH	Polished Chrome
ROM044SC	Satin Chrome (Matte)
ROM044BN	Brushed Nickel
ROM044PN	Polished Nickel
ROM044BR	Polished Brass
ROM044SB	Satin Brass
ROM044ORB	Oil Rubbed Bronze

Minimum order: 1 each. All Frameless Shower Door Hinges can be combined for quantity pricing. Other finishes available on special order. **NOTE:** All Shower Door Hinges are sold by the each, not in pairs. Be sure to order a minimum of two each hinges to install one door.



C.R. LAURENCE COMPANY

crlaurence.com | usalum.com

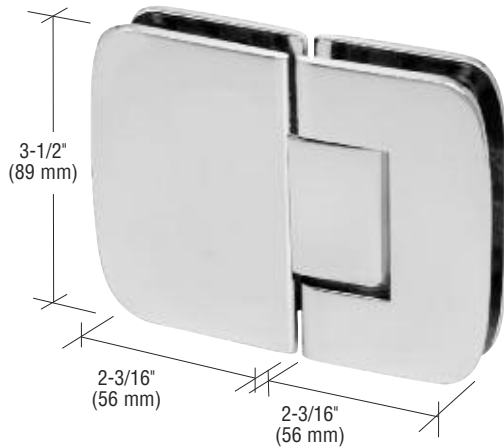
168J | crlaurence.ca crlaurence.com.au crlaurence.co.uk crlaurence.de crlaurence.eu

CRL HINGES FOR 5/16" TO 1/2" (8 TO 12 MM) GLASS

For Pricing Visit crlaurence.com or Call Us Toll Free at the Phone Numbers Shown on the Back Cover

CRL Roman Series Glass-to-Glass Hinges

180 Degree Glass-to-Glass



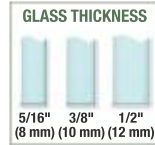
MODEL ROM180

Opens 90 degrees outwards and inwards

FINISHES:



Most models are stocked in the finishes shown here, others are available on special order.

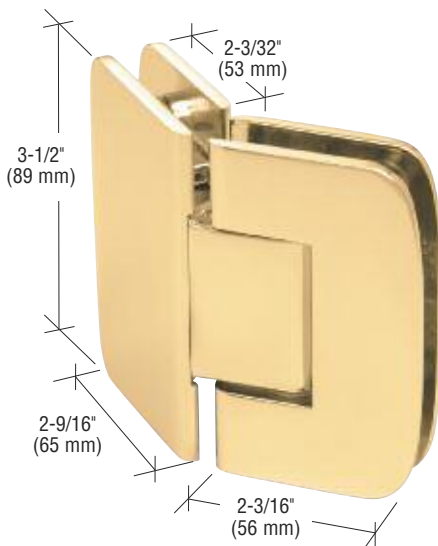


CE
Certification
(See Page 107J)

CAT. NO.	FINISH
ROM180CH	Polished Chrome
ROM180SC	Satin Chrome (Matte)
ROM180BN	Brushed Nickel
ROM180PN	Polished Nickel
ROM180BR	Polished Brass
ROM180ORB	Oil Rubbed Bronze

Minimum order: 1 each. All Frameless Shower Door Hinges can be combined for quantity pricing. Other finishes available on special order. **NOTE:** All Shower Door Hinges are sold by the each, not in pairs. Be sure to order a minimum of two each hinges to install one door.

135 Degree Glass-to-Glass



MODEL ROM045

Opens 90 degrees outwards and inwards



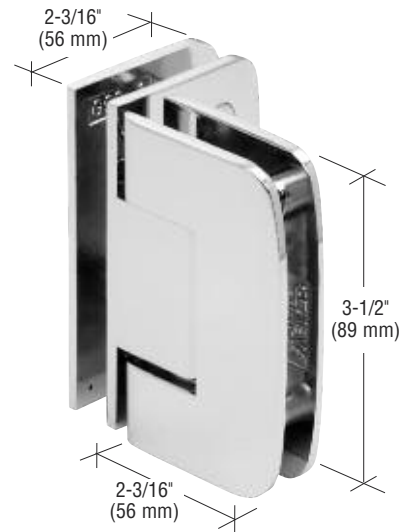
CE
Certification
(See Page 107J)



CAT. NO.	FINISH
ROM045CH	Polished Chrome
ROM045SC	Satin Chrome (Matte)
ROM045BN	Brushed Nickel
ROM045PN	Polished Nickel
ROM045BR	Polished Brass
ROM045ORB	Oil Rubbed Bronze

Minimum order: 1 each. All Frameless Shower Door Hinges can be combined for quantity pricing. Other finishes available on special order. **NOTE:** All Shower Door Hinges are sold by the each, not in pairs. Be sure to order a minimum of two each hinges to install one door.

90 Degree Glass-to-Glass



MODEL ROM092

Opens 90 degrees outwards and inwards



CE
Certification
(See Page 107J)



CAT. NO.	FINISH
ROM092CH	Polished Chrome
ROM092SC	Satin Chrome (Matte)
ROM092BN	Brushed Nickel
ROM092PN	Polished Nickel
ROM092BR	Polished Brass
ROM092ORB	Oil Rubbed Bronze

Minimum order: 1 each. All Frameless Shower Door Hinges can be combined for quantity pricing. Other finishes available on special order. **NOTE:** All Shower Door Hinges are sold by the each, not in pairs. Be sure to order a minimum of two each hinges to install one door.

CRL HINGES FOR 3/8" TO 1/2" (10 TO 12 MM) GLASS

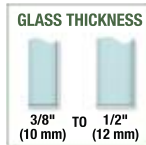
For Pricing Visit crlaurence.com or Call Us Toll Free at the Phone Numbers Shown on the Back Cover

CRL Concord Series Hinges

- CRL's First Shower Door Hinge, Rich in Tradition and Reliability
- Solid Brass Forged Construction for Durability
- One Wall Mount and Three Glass-to-Glass Models
- Numerous Stock Finishes, With Custom Finishes Available



The variety of styles and finishes in our Concord Series allows the installer/designer to create custom shower enclosures limited only by their imagination. These beautifully finished, solid brass forged Concord Hinges make it possible to mount 3/8" (10 mm) to 1/2" (12 mm) thick glass shower doors without surrounding frames, so the door has an almost "floating" appearance. Their heavy-duty stainless steel springs allow the door to swing 90 degrees in and 90 degrees out. A friction cam allows the door to be firmly maintained in any position, except when within 15 degrees of the closed position, where they are tapered to assist in centering the door.



SPECIFICATIONS

Glass Thickness Range: 3/8" (10 mm) to 1/2" (12 mm)
Tempered Safety Glass

Special Feature: Our original hinge offers years of reliability and elegance

Construction: Solid Brass

Hinge Swings: 90 Degrees Inwards and Outwards

Closing Type: Self-Centering When Within 15 Degrees of Closed Position

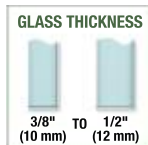
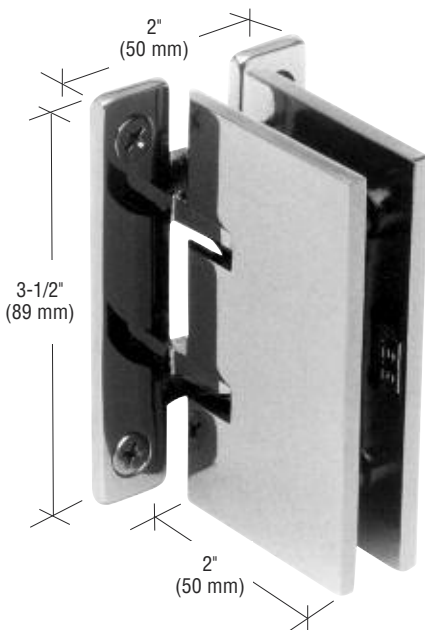
Cut-Out Required

Includes: Gaskets, Phillips Screws, Allen Screws, and Glass Fabrication Dimensions

*MAXIMUM CAPACITIES	3/8" (10 MM) GLASS		1/2" (12 MM) GLASS	
	WEIGHT	DOOR WIDTH	WEIGHT	DOOR WIDTH
Using Two Hinges	80 lbs/36 kg	28"/711 mm	80 lbs/36 kg	28"/711 mm
Using Three Hinges	120 lbs/54 kg	34"/864 mm	120 lbs/54 kg	34"/864 mm

* NOTE: Do not exceed maximum door weight or width when choosing proper quantity of hinges.

Wall Mount



MODEL SDH037

Opens 90 degrees outwards and inwards

FINISHES:



Most models are stocked in the finishes shown here, others are available on special order.

CAT. NO.	FINISH
SDH037CH	Polished Chrome
SDH037SC	Satin Chrome (Matte)
SDH037BSC	Brushed Satin Chrome
SDH037BN	Brushed Nickel
SDH037PN	Polished Nickel
SDH037SN	Satin Nickel
SDH037BR	Polished Brass
SDH037SB	Satin Brass
SDH037ABR	Antique Brass
SDH037ORB	Oil Rubbed Bronze
SDH037ABC0	Antique Brushed Copper
SDH037GP	Gold Plated
SDH037GM	Gun Metal
SDH037W	White
SDH037BL	Black

Minimum order: 1 each. All Frameless Shower Door Hinges can be combined for quantity pricing. Other finishes available on special order. NOTE: All Shower Door Hinges are sold by the each, not in pairs. Be sure to order a minimum of two each hinges to install one door.



C.R. LAURENCE COMPANY

crlaurence.com | usalum.com

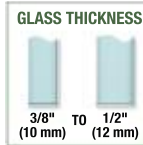
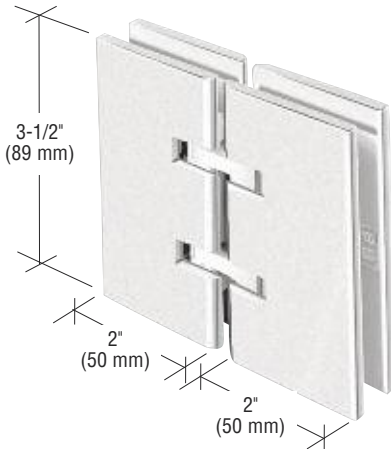
170J | crlaurence.ca crlaurence.com.au crlaurence.co.uk crlaurence.de crlaurence.eu

CRL HINGES FOR 3/8" TO 1/2" (10 TO 12 MM) GLASS

For Pricing Visit crlaurence.com or Call Us Toll Free at the Phone Numbers Shown on the Back Cover

CRL Concord Series Glass-to-Glass Hinges

180 Degree Glass-to-Glass



MODEL SDH180
Opens 90 degrees outwards and inwards

FINISHES:



Most models are stocked in the finishes shown here, others are available on special order.



CAT. NO.

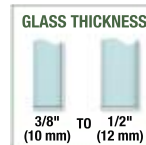
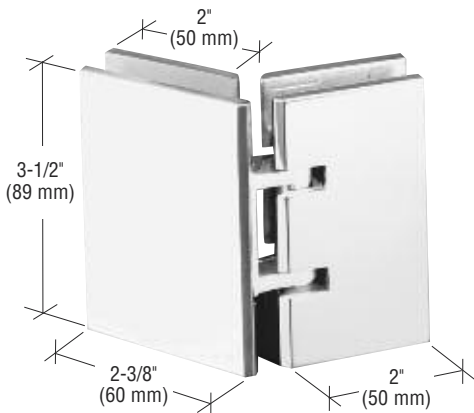
- SDH180CH
- SDH180SC
- SDH180BSC
- SDH180BN
- SDH180PN
- SDH180SN
- SDH180BR
- SDH180SB
- SDH180ABR
- SDH180ORB
- SDH180ABC0
- SDH180GP
- SDH180GM
- SDH180W
- SDH180BL

FINISH

- Polished Chrome
- Satin Chrome (Matte)
- Brushed Satin Chrome
- Brushed Nickel
- Polished Nickel
- Satin Nickel
- Polished Brass
- Satin Brass
- Antique Brass
- Oil Rubbed Bronze
- Antique Brushed Copper
- Gold Plated
- Gun Metal
- White
- Black

Minimum order: 1 each. All Frameless Shower Door Hinges can be combined for quantity pricing. Other finishes available on special order. **NOTE:** All Shower Door Hinges are sold by the each, not in pairs. Be sure to order a minimum of two each hinges to install one door.

135 Degree Glass-to-Glass



MODEL SDH135
Opens 90 degrees outwards and inwards

CAT. NO.

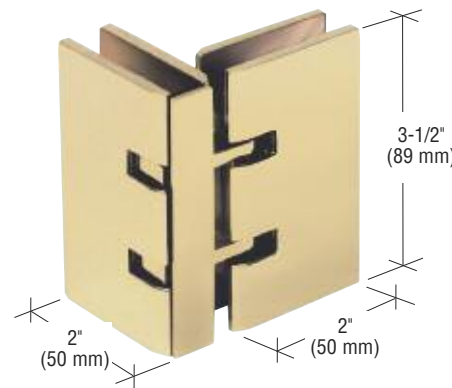
- SDH135CH
- SDH135SC
- SDH135BSC
- SDH135BN
- SDH135PN
- SDH135BR
- SDH135SB
- SDH135ABR
- SDH135ORB
- SDH135GP
- SDH135GM
- SDH135W
- SDH135BL

FINISH

- Polished Chrome
- Satin Chrome (Matte)
- Brushed Satin Chrome
- Brushed Nickel
- Polished Nickel
- Polished Brass
- Satin Brass
- Antique Brass
- Oil Rubbed Bronze
- Gold Plated
- Gun Metal
- White
- Black

Minimum order: 1 each. All Frameless Shower Door Hinges can be combined for quantity pricing. Other finishes available on special order. **NOTE:** All Shower Door Hinges are sold by the each, not in pairs. Be sure to order a minimum of two each hinges to install one door.

90 Degree Glass-to-Glass



MODEL SDH090
Opens 90 degrees outwards and inwards

CAT. NO.

- SDH090CH
- SDH090SC
- SDH090BSC
- SDH090BN
- SDH090PN
- SDH090BR
- SDH090SB
- SDH090ORB
- SDH090GP
- SDH090GM
- SDH090W

FINISH

- Polished Chrome
- Satin Chrome (Matte)
- Brushed Satin Chrome
- Brushed Nickel
- Polished Nickel
- Polished Brass
- Satin Brass
- Oil Rubbed Bronze
- Gold Plated
- Gun Metal
- White

Minimum order: 1 each. All Frameless Shower Door Hinges can be combined for quantity pricing. Other finishes available on special order. **NOTE:** All Shower Door Hinges are sold by the each, not in pairs. Be sure to order a minimum of two each hinges to install one door.

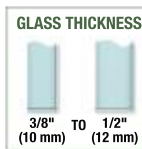
CRL HINGES FOR 3/8" TO 1/2" (10 TO 12 MM) GLASS

For Pricing Visit crlaurence.com or Call Us Toll Free at the Phone Numbers Shown on the Back Cover

CRL Estate Series Hinges

- Attractive and Modern Mitered Edges With Classical Curved Design
- Contains Same Internal Mechanism as Our Concord Series
- Solid Brass Forged Construction for Durability
- Numerous Stock Finishes, With Custom Finishes Available

Estate Hinges for 3/8" to 1/2" (10 to 12 mm) glass are a uniquely classic design combining mitered edges with curved corners. They are made of solid brass with stainless steel springs. Choose from the elegant Wall Mount Hinge or 90, 135, and 180 degree Glass-to-Glass styles. The self-centering action of the Estate Series Hinge allows the door to be maintained in any position, except within when 15 degrees of the closed position, where they are tapered to assist in centering the door.



SPECIFICATIONS

Glass Thickness Range: 3/8" (10 mm) to 1/2" (12 mm)
Tempered Safety Glass

Special Feature: Our original hinge offers years of reliability and elegance

Construction: Solid Brass

Hinge Swings: 90 Degrees Inwards and Outwards.

Closing Type: Self-Centering When Within 15 Degrees of Closed Position

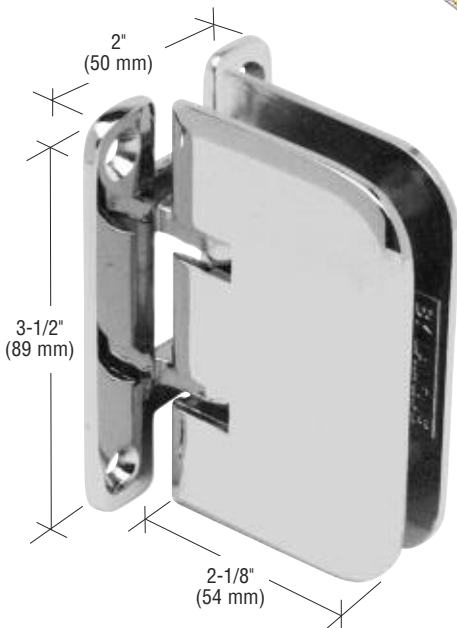
Cut-Out Required

Includes: Gaskets, Phillips Screws, Allen Screws, and Glass Fabrication Dimensions

*MAXIMUM CAPACITIES	3/8" (10 MM) GLASS		1/2" (12 MM) GLASS	
	WEIGHT	DOOR WIDTH	WEIGHT	DOOR WIDTH
Using Two Hinges	80 lbs/36 kg	28"/711 mm	80 lbs/36 kg	28"/711 mm
Using Three Hinges	120 lbs/54 kg	34"/864 mm	120 lbs/54 kg	34"/864 mm

* NOTE: Do not exceed maximum door weight or width when choosing proper quantity of hinges.

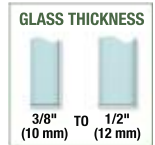
Wall Mount



FINISHES:



Most models are stocked in the finishes shown here, others are available on special order.



MODEL EST037

Opens 90 degrees outwards and inwards

CAT. NO.	FINISH
EST037CH	Polished Chrome
EST037SC	Satin Chrome (Matte)
EST037BSC	Brushed Satin Chrome
EST037BN	Brushed Nickel
EST037PN	Polished Nickel
EST037SN	Satin Nickel
EST037BR	Polished Brass
EST037SB	Satin Brass
EST037ORB	Oil Rubbed Bronze
EST037ABCO	Antique Brushed Copper
EST037GP	Gold Plated
EST037W	White

Minimum order: 1 each. All Frameless Shower Door Hinges can be combined for quantity pricing. Other finishes available on special order. NOTE: All Shower Door Hinges are sold by the each, not in pairs. Be sure to order a minimum of two each hinges to install one door.



C.R. LAURENCE COMPANY

crlaurence.com | usalum.com

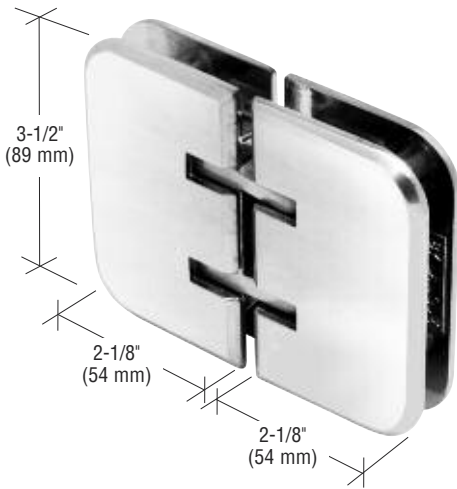
172J | crlaurence.ca crlaurence.com.au crlaurence.co.uk crlaurence.de crlaurence.eu

CRL HINGES FOR 3/8" TO 1/2" (10 TO 12 MM) GLASS

For Pricing Visit crlaurence.com or Call Us Toll Free at the Phone Numbers Shown on the Back Cover

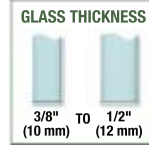
CRL Estate Series Glass-to-Glass Hinges

180 Degree Glass-to-Glass



CE
Certification
(See Page 107J)

MODEL EST180
Opens 90 degrees
inwards and outwards



FINISHES:

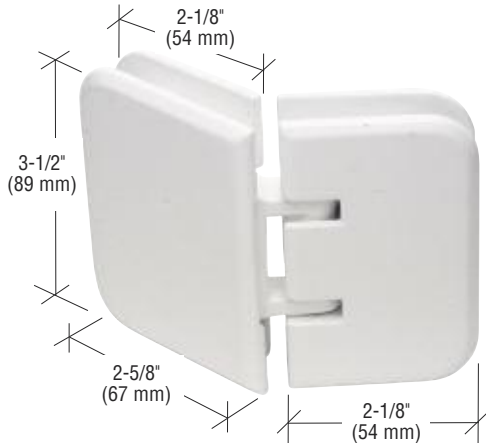


Most models are stocked in the finishes shown here, others are available on special order.

CAT. NO.	FINISH
EST180CH	Polished Chrome
EST180SC	Satin Chrome (Matte)
EST180BSC	Brushed Satin Chrome
EST180BN	Brushed Nickel
EST180PN	Polished Nickel
EST180BR	Polished Brass
EST180ABR	Antique Brass
EST180RB	Oil Rubbed Bronze
EST180GP	Gold Plated
EST180W	White

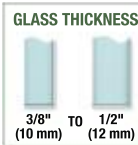
Minimum order: 1 each. All Frameless Shower Door Hinges can be combined for quantity pricing. Other finishes available on special order. **NOTE:** All Shower Door Hinges are sold by the each, not in pairs. Be sure to order a minimum of two each hinges to install one door.

135 Degree Glass-to-Glass



CE
Certification
(See Page 107J)

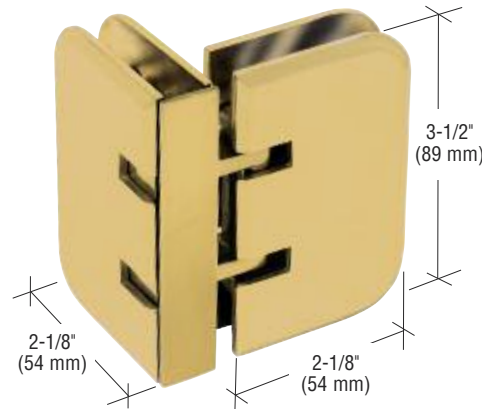
MODEL EST135
Opens 90 degrees
outwards and inwards



CAT. NO.	FINISH
EST135CH	Polished Chrome
EST135SC	Satin Chrome (Matte)
EST135BSC	Brushed Satin Chrome
EST135BN	Brushed Nickel
EST135PN	Polished Nickel
EST135BR	Polished Brass
EST135GP	Gold Plated
EST135W	White

Minimum order: 1 each. All Frameless Shower Door Hinges can be combined for quantity pricing. Other finishes available on special order. **NOTE:** All Shower Door Hinges are sold by the each, not in pairs. Be sure to order a minimum of two each hinges to install one door.

90 Degree Glass-to-Glass



CE
Certification
(See Page 107J)

MODEL EST090
Opens 90 degrees
outwards and inwards



CAT. NO.	FINISH
EST090CH	Polished Chrome
EST090SC	Satin Chrome (Matte)
EST090BN	Brushed Nickel
EST090PN	Polished Nickel
EST090BR	Polished Brass
EST090GP	Gold Plated
EST090W	White

Minimum order: 1 each. All Frameless Shower Door Hinges can be combined for quantity pricing. Other finishes available on special order. **NOTE:** All Shower Door Hinges are sold by the each, not in pairs. Be sure to order a minimum of two each hinges to install one door.

CRL HINGES FOR 3/8" TO 1/2" (10 TO 12 MM) GLASS

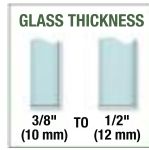
For Pricing Visit crlaurence.com or Call Us Toll Free at the Phone Numbers Shown on the Back Cover

CRL Cathedral Series Hinges

- Models Offered With Eye-Catching Two-Tone Design for Matching Multiple Decors
- Contains Same Internal Mechanism as Our Popular Geneva Series Hinges
- Reversible Pivot Pin Standard in Each Model
- Up to Nine Finish Combinations to Choose From



The Cathedral Series Hinge offers models blending a unique two-tone design, with the same internal mechanism as our Geneva Hinge. The Cathedral Hinge has a positive hold on the glass, utilizing a cut-out plus a hole to prevent door slippage. Constructed of solid brass, they come in one Wall Mount and three Glass-to-Glass styles. Cathedral Hinges are made to fit 3/8" (10 mm) to 1/2" (12 mm) safety tempered glass, and will swing 90 in and out. They contain a reversible Pivot Pin for optional 5 degrees tighter door closure. The self-centering Cathedral Series is available in up to nine finish combinations.



SPECIFICATIONS

Glass Thickness Range: 3/8" (10 mm) to 1/2" (12 mm)

Tempered Safety Glass

Material: Solid Brass

Hinge Swings: 90 Degrees Outwards and Inwards

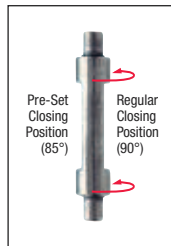
Closing Type: Self-Centering When Within 15 Degrees of Closed Position

Cut-Out and Hole Required Except Cat. No. CAT090 which requires cut-out and hole in door and three holes in fixed panel

Includes: Gaskets, Phillips Screws, Allen Screws, and Glass Fabrication Dimensions

*MAXIMUM CAPACITIES	3/8" (10 MM) GLASS		1/2" (12 MM) GLASS	
	WEIGHT	DOOR WIDTH	WEIGHT	DOOR WIDTH
Using Two Hinges	95 lbs/43 kg	34"/864 mm	95 lbs/43 kg	34"/864 mm
Using Three Hinges	140 lbs/64 kg	38"/965 mm	140 lbs/64 kg	38"/965 mm

*NOTE: Do not exceed maximum door weight or width when choosing proper quantity of hinges.



STANDARD REVERSIBLE PIVOT PIN

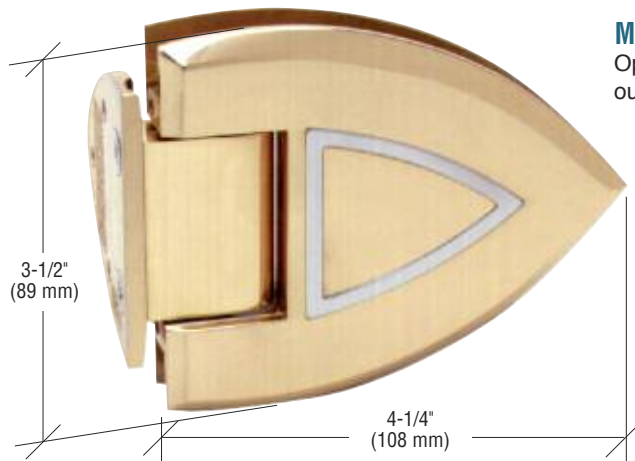
Each Cathedral Hinge contains a Reversible Pivot Pin. One side of the Pin is marked at 90 degrees. The opposite side of the Pin is marked 85 degrees. Standard Cathedral Hinges come with the 90 degree side activated. The Pin can be rotated (not flipped upside down) to activate the other side.



CUSTOM PIVOT PIN

Custom Pivot Pins are available to accommodate "off-angle" installations. As an example, you may encounter a wall that will not meet your door at 90 degrees. If the standard 5 Degree Pivot Pin contained in the hinge does not assist in closing the door to the position desired, you may specify the angle needed for a Custom pivot Pin (up to 45 degrees).

Wall Mount Offset Back Plate



MODEL CAT044

Opens 90 degrees outwards and inwards



CAT. NO.	FINISH/ACCENT
CAT044CH	Polished Chrome/Gold Plated
CAT044CC	Polished Chrome/Polished Chrome
CAT044SC	Satin Chrome (Matte)/Polished Chrome
CAT044BNBA	Brushed Nickel/Polished Brass
CAT044BNBN	Brushed Nickel/Brushed Nickel
CAT044BR	Polished Brass/Polished Chrome
CAT044BRBA	Polished Brass/Polished Brass
CAT044GP	Gold Plated/Polished Chrome
CAT044WC	White/Polished Chrome

Minimum order: 1 each. All Frameless Shower Door Hinges can be combined for quantity pricing. Other finishes available on special order. **NOTE:** All Shower Door Hinges are sold by the each, not in pairs. Be sure to order a minimum of two each hinges to install one door.



C.R. LAURENCE COMPANY

crlaurence.com | usalum.com

174J | crlaurence.ca crlaurence.com.au crlaurence.co.uk crlaurence.de crlaurence.eu

CRL HINGES FOR 3/8" TO 1/2" (10 TO 12 MM) GLASS

For Pricing Visit crlaurence.com or Call Us Toll Free at the Phone Numbers Shown on the Back Cover

CRL Cathedral Series Glass-to-Glass Hinges 180 Degree Glass-to-Glass

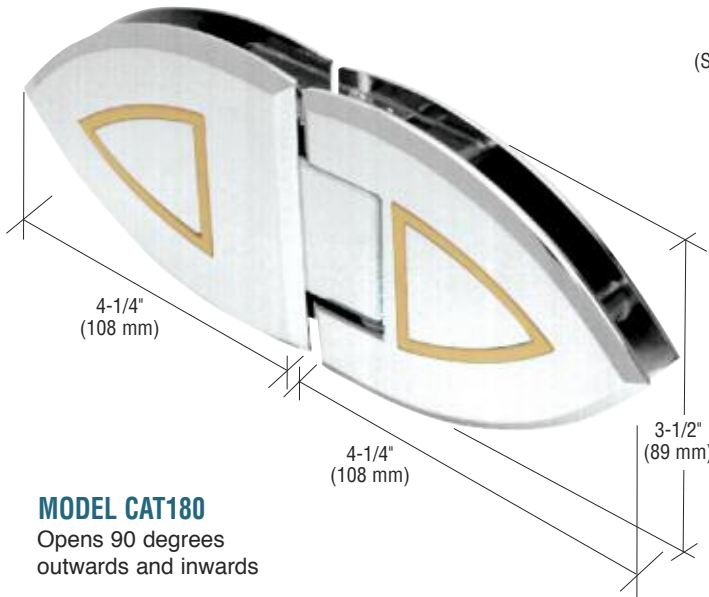


Brass

See the complete range of beautiful shower hardware finishes on page 114J



Certification
(See Page 107J)

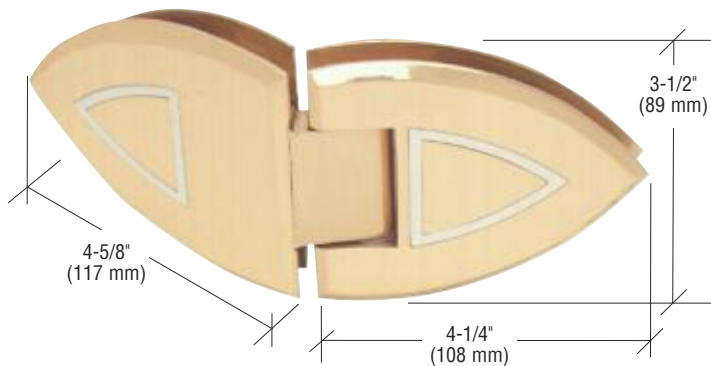


MODEL CAT180
Opens 90 degrees
outwards and inwards

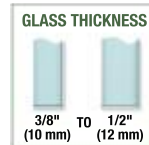
CAT. NO.	FINISH/ACCENT
CAT180CH	Polished Chrome/Gold Plated
CAT180SC	Satin Chrome (Matte)/Polished Chrome
CAT180BR	Polished Brass/Polished Chrome
CAT180GP	Gold Plated/Polished Chrome
CAT180WC	White/Polished Chrome

Minimum order: 1 each. All Frameless Shower Door Hinges can be combined for quantity pricing. Other finishes available on special order. **NOTE:** All Shower Door Hinges are sold by the each, not in pairs. Be sure to order a minimum of two each hinges to install one door.

135 Degree Glass-to-Glass



MODEL CAT045
Opens 90 degrees
outwards and inwards



CAT. NO.	FINISH/ACCENT
CAT045CH	Polished Chrome/Gold Plated
CAT045SC	Satin Chrome (Matte)/Polished Chrome
CAT045BR	Polished Brass/Polished Chrome
CAT045GP	Gold Plated/Polished Chrome

Minimum order: 1 each. All Frameless Shower Door Hinges can be combined for quantity pricing. Other finishes available on special order. **NOTE:** All Shower Door Hinges are sold by the each, not in pairs. Be sure to order a minimum of two each hinges to install one door.

90 Degree Glass-to-Glass



MODEL CAT090
Opens 90 degrees
outwards and inwards



CAT. NO.	FINISH/ACCENT
CAT090CH	Polished Chrome/Gold Plated
CAT090SC	Satin Chrome (Matte)/Polished Chrome
CAT090BR	Polished Brass/Polished Chrome
CAT090WC	White/Polished Chrome

Minimum order: 1 each. All Frameless Shower Door Hinges can be combined for quantity pricing. Other finishes available on special order. **NOTE:** All Shower Door Hinges are sold by the each, not in pairs. Be sure to order a minimum of two each hinges to install one door.

CRL HINGES FOR 5/16" TO 1/2" (8 TO 12 MM) GLASS

For Pricing Visit crlaurence.com or Call Us Toll Free at the Phone Numbers Shown on the Back Cover

CRL Atlas Series 'All-Glass' Door Hinges

- Ideal for Large Interior Doors
- Self-Centering Function
- Hold Open at 90 Degrees
- Easy Closed Position Adjustment for Double Door or Inline Panel Applications
- Available in Brushed Nickel, Brass, Chrome, and Oil Rubbed Bronze Finishes, as Well as Custom Finishes

This innovative CRL Atlas Series 'All-Glass' Door Hinge gives you the best of two worlds; minimal hardware and self-centering action, all wrapped up in a stylish, heavy-duty Hinge. Two of these double-acting Hinges will allow you to create 'all-glass' doors weighing up to 140 pounds (63.5 kg) with a maximum width of 39" (1 m).

NOTE: Do not exceed two Hinges per door.

When fully opened, the CRL Atlas Series 'All-Glass' Door Hinge will hold open at 90 degrees. These Hinges offer easy fine-tune closed position adjustment.

The solid brass construction and stainless steel components make the CRL Atlas Series 'All-Glass' Door Hinge a natural for sauna or steam room applications, or any location that may involve excess moisture.



SPECIFICATIONS

Glass Thickness Range: 5/16" to 1/2" (8 to 12 mm)

Material: Solid Brass

Hinge Swings: 90 Degrees Inwards and Outwards

Closing Type: Self-Centering From 0 to 50 Degrees and Precise Closing to 0 Degrees

Special Feature: Holds Open at 90 Degrees; Adjustable Closed Position

Notch and Hole Required

Includes: Gaskets, Phillips Screws, Allen Screws, and Glass Fabrication Dimensions

- Both Spring Tension and Closing Position are Easy to Adjust



Adjusting the Spring Tension

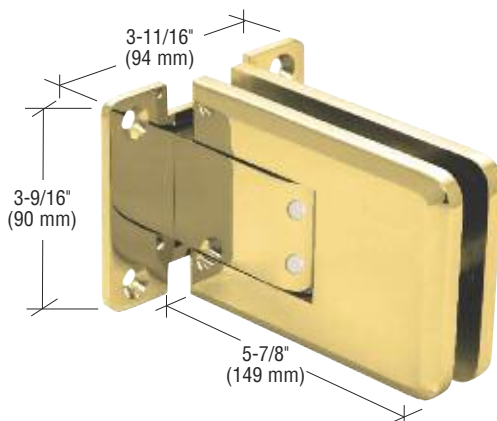


Adjusting the Closing Position



*MAXIMUM CAPACITIES	5/16" TO 1/2" (8 TO 12 MM) GLASS	
	WEIGHT	DOOR WIDTH
Using Two Hinges	140 lbs/63.5 kg	39" / 1 m

* NOTE: Do not exceed maximum door weight or width. Do not exceed two hinges per door.



MODEL ATL01

Opens 90 degrees outwards and inwards

FINISHES:



Most models are stocked in the finishes shown here, others are available on special order.

CAT. NO.	FINISH
ATL01CH	Polished Chrome
ATL01BN	Brushed Nickel
ATL01BR	Polished Brass
ATL01ORB	Oil Rubbed Bronze

Minimum order: 1 each. All Frameless Shower Door Hinges can be combined for quantity pricing. Other finishes available on special order. **NOTE:** 'All-Glass' Door Hinges are sold by the each, not in pairs. Be sure to order a minimum of two each hinges to install one door.



C.R. LAURENCE COMPANY

crlaurence.com | usalum.com

176J | crlaurence.ca crlaurence.com.au crlaurence.co.uk crlaurence.de crlaurence.eu

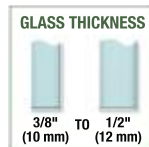
CRL Biloba Series Hydraulic 'All-Glass' Door Hinges

- For Self-Closing Glass Doors From 3/8" to 1/2" (10 to 12 mm) Thick
- A Great Alternative to Floor Closers and Patch Fittings
- Hold Open or No Hold Open Models
- Adjustable Closing Speed

The Biloba Hinge represents the evolution and the synthesis between automatic mechanical hinges and hydraulic door closers. Designed for use on interior doors, Biloba allows you to design a self-closing door without the need of a floor-mounted or overhead closing device. This gives you the advantage of being able to install an 'all-glass' door in an existing opening without the need for extensive retrofitting of hardware into the floor or overhead.

Properly mounted, two Biloba Hinges will support a 3/8" to 1/2" (10 to 12 mm) thick glass door up to 39" (1 m) in width and weighing up to 220 pounds (100 kg). A control valve lets you adjust the hinge to the desired closing speed. And Biloba is ambidextrous, with positive stops at 0 and 90 degrees, giving you even more design freedom.

The Biloba Hinge features an aluminum body in distinct configurations for Wall Mount and Glass-to-Glass applications. Biloba has been subject to strict testing (over 1 million cycles), assuring long lasting service.



SPECIFICATIONS:

Glass Thickness Range: 3/8" to 1/2" (10 to 12 mm)

Material: Aluminum

Hinge Swings:

90 Degrees Inwards and Outwards (Except 31M8060 Model, Which Only Swings One Way)

Closing Type:

Automatic Closing From 0 to 80 Degrees

Special Feature: Holds Open at 90 Degrees; Adjustable Closing Speed. No Hold Open Models Available (Except 31M8060 Model).

Cut-Out Required

Includes:

Snap-In Molded Gaskets for 3/8" (10mm) and 1/2" (12 mm) Glass; Hex Screws

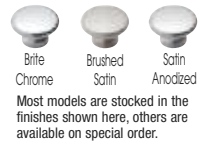
Maximum Capacities Using Two Hinges:

Door Width 39" (1 m); Door Weight: 220 pounds (100 kg)

NOTE: Do not use more than two hinges on one door.

- Aluminum Body in Your Choice of Three Finishes: Brite Chrome, Brushed Satin, and Satin Anodized

FINISHES:



Most models are stocked in the finishes shown here, others are available on special order.



new

Full Back Plate Wall Mount Hinge

Swings in and out a full 90 degrees, with stops at 0°, +90°, and -90°. Closing speed can be adjusted. For doors up to 39" (1 m) wide. Maximum weight per two hinges is 220 pounds (100 kg).

HOLD OPEN CAT. NO.	NO HOLD OPEN CAT. NO.	FINISH
31M8010CH	31M8210CH	Brite Chrome
31M8010SN	31M8210SN	Brushed Satin
31M8010SA	31M8210SA	Satin Anodized

Minimum order: 1 each. All Frameless Hinges can be combined for quantity pricing. **NOTE:** 'All-Glass' Door Hinges are sold individually, not in pairs.



180 Degree Glass-to-Glass Hinge

Swings in and out a full 90 degrees, with stops at 0°, +90°, and -90°. Closing speed can be adjusted. For doors up to 39" (1 m) wide. Maximum weight per two hinges is 220 pounds (100 kg).

HOLD OPEN CAT. NO.	NO HOLD OPEN CAT. NO.	FINISH
31M8015CH	31M8215CH	Brite Chrome
31M8015SN	31M8215SN	Brushed Satin
31M8015SA	31M8215SA	Satin Anodized

Minimum order: 1 each. All Frameless Hinges can be combined for quantity pricing. **NOTE:** 'All-Glass' Door Hinges are sold individually, not in pairs.



One Way Swinging Wall Mount Hinge

Ideal for hermetic closing. Swings one way a full 90 degrees, with stops at 0° and 90°. Closing speed can be adjusted. For doors up to 39" (1 m) wide. Maximum weight per two hinges is 220 pounds (100 kg).

HOLD OPEN CAT. NO.	FINISH
31M8060CH	Brite Chrome
31M8060SN	Brushed Satin

Minimum order: 1 each. All Frameless Hinges can be combined for quantity pricing. **NOTE:** 'All-Glass' Door Hinges are sold individually, not in pairs.



Shown Mounted Hinged Left Swing Out

CRL HINGES FOR 5/16" TO 3/8" (8 TO 10 MM) GLASS

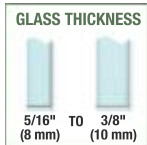
For Pricing Visit crlaurence.com or Call Us Toll Free at the Phone Numbers Shown on the Back Cover

CRL Sydney Series Hinges

- Our Spider Type Design for the Construction of Frameless Showers
- Choice of Two Mounting Options: Glass-to-Glass and Glass-to-Wall
- Glass-to-Glass Model Has Settings at 90, 135 or 180 Degrees
- Constructed of 316 Stainless Steel in Your Choice of Brushed or Polished Finishes

For a unique design in Frameless Shower Door Hinges, look no further than our Sydney Series. The "Spider Type" design is certain to give the frameless shower door a different look that will surely be noticed. Constructed of durable 316 stainless steel, Sydney Hinges are available in Wall-to-Glass and Glass-to-Glass models. The Glass-to-Glass model offers three settings at 90, 135, and 180 degrees. For doors falling in between these common installation angles, the springs may be removed to allow a "free-swinging" hinge.

Two holes are required per hinge for each panel to accommodate the through-bolts, with no cut-out necessary. The 316 stainless steel body of the Sydney Hinge allows the door to swing 90 degrees outward. Polished Stainless Steel and Brushed Stainless Steel finishes are offered.



*MAXIMUM CAPACITIES	5/16" (8 MM) GLASS		3/8" (10 MM) GLASS	
	WEIGHT	DOOR WIDTH	WEIGHT	DOOR WIDTH
Using Two Hinges	80 lbs/36 kg	28"/711 mm	80 lbs/36 kg	28"/711 mm
Using Three Hinges	120 lbs/54 kg	34"/864 mm	120 lbs/54 kg	34"/864 mm

* NOTE: Do not exceed maximum door weight or width when choosing proper quantity of hinges.

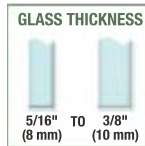
SPECIFICATIONS:

- Glass Thickness Range:** 5/16" (8 mm) to 3/8" (10 mm) Tempered Safety Glass
- Construction:** 316 Stainless Steel
- Hinge Swings:** Up to 90 Degrees Outwards (Requires Stop)
- Closing Type:** Precise Closing to 0 Degrees
- Two 5/8" (16 mm) Diameter Holes required per panel per hinge, no cut-out**
- Includes:** Gaskets, Screws, and Glass Fabrication Dimensions
- Note:** Spanner Wrench Cat. No. SW19 Sold Separately.

Wall Mount



MODEL SYD044
Opens 90 degrees outwards



CAT. NO.	FINISH
SYD044PS	Polished Stainless
SYD044BS	Brushed Stainless

Minimum order: 1 each. All Hinges can be combined for quantity pricing. **NOTE:** All Shower Door Hinges are sold by the each, not in pairs. Be sure to order a minimum of two each hinges to install one door.

Glass-to-Glass



MODEL SYD180
Opens up to 90 degrees outwards

Setting at 90, 135, or 180 degrees



CAT. NO.	FINISH
SYD180PS	Polished Stainless
SYD180BS	Brushed Stainless

Minimum order: 1 each. All Hinges can be combined for quantity pricing. **NOTE:** All Shower Door Hinges are sold by the each, not in pairs. Be sure to order a minimum of two each hinges to install one door.



C.R. LAURENCE COMPANY

crlaurence.com | usalum.com

178J | crlaurence.ca crlaurence.com.au crlaurence.co.uk crlaurence.de crlaurence.eu

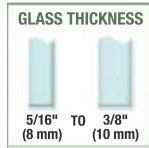
CRL HINGES FOR 5/16" TO 3/8" (8 TO 10 MM) GLASS

For Pricing Visit crlaurence.com or Call Us Toll Free at the Phone Numbers Shown on the Back Cover

CRL Arctic Series Hinges NOTE: Not Available in Europe

- Unique Design for the Construction of Frameless Showers
- Set Doors at 90, 135, 180 Degrees, or Anywhere in Between
- Constructed of Stainless Steel in Your Choice of Brushed or Polished Finishes
- Choice of Two Mounting Options; Glass-to-Glass and Glass-to-Wall

The Arctic Series brings a unique, new look in Frameless Shower Door Hinges. Constructed of stainless steel, the Arctic Hinge comes in Glass-to-Glass and Glass-to-Wall models. Both are intended for use with 5/16" (8 mm) and 3/8" (10 mm) tempered safety glass. Neither requires that the glass be notched, only that each glass panel have two 1/2" (12 mm) holes drilled for the through-bolts. The body of the Arctic Hinge is all stainless steel with a pivot point that swings a full 90 degrees outward. A door stop is required when using this series of hinge. If you're looking for something new in frameless hinges, try the Arctic Series.



FINISHES:



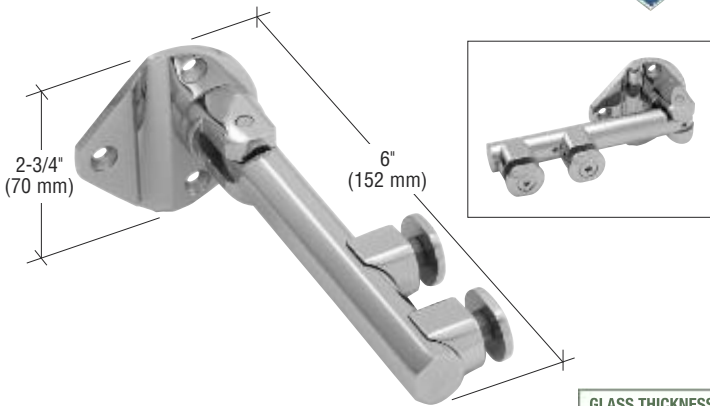
SPECIFICATIONS

Glass Thickness Range: 5/16" (8 mm) to 3/8" (10 mm) Tempered Safety Glass
Construction: Stainless Steel
Hinge Swings: Up to 180° Rotation (Requires Stop)
Closing Type: Free Swinging
Two 1/2" (12 mm) Diameter Holes required per panel per hinge, no cut-out
Includes: Gaskets, Screws, and Glass Fabrication Dimensions

*MAXIMUM CAPACITIES	5/16" (8 MM) GLASS		3/8" (10 MM) GLASS	
	WEIGHT	DOOR WIDTH	WEIGHT	DOOR WIDTH
Using Two Hinges	90 lbs/40 kg	36"/914 mm	90 lbs/40 kg	36"/914 mm
Using Three Hinges	135 lbs/61 kg	36"/914 mm	135 lbs/61 kg	36"/914 mm

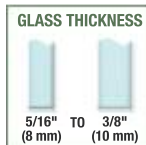
* NOTE: Do not exceed maximum door weight or width when choosing proper quantity of hinges.

Wall Mount



MODEL ARC044

Opens up to 90 degrees outward

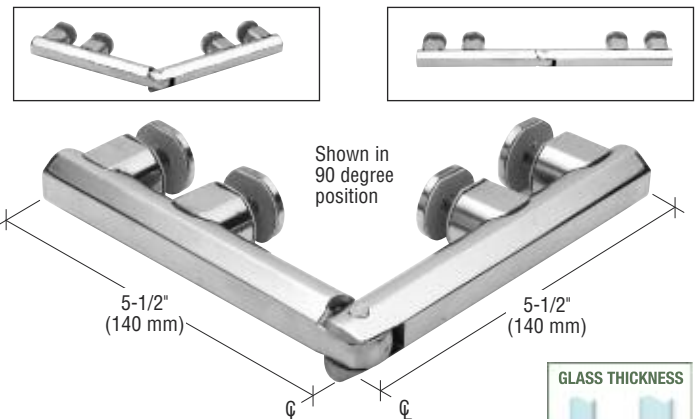


CAT. NO.	FINISH
ARC044PS	Polished Stainless
ARC044BS	Brushed Stainless

Minimum order: 1 each. All Hinges can be combined for quantity pricing. **NOTE:** All Shower Door Hinges are sold by the each, not in pairs. Be sure to order a minimum of two each hinges to install one door.

Glass-to-Glass

Settings are anywhere from 90 to 180 degrees



MODEL ARC180

Opens up to 90 degrees outward



CAT. NO.	FINISH
ARC180PS	Polished Stainless
ARC180BS	Brushed Stainless

Minimum order: 1 each. All Hinges can be combined for quantity pricing. **NOTE:** All Shower Door Hinges are sold by the each, not in pairs. Be sure to order a minimum of two each hinges to install one door.

CRL HINGES FOR 5/16" TO 3/8" (8 TO 10 MM) GLASS

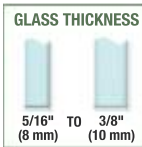
For Pricing Visit crlaurence.com or Call Us Toll Free at the Phone Numbers Shown on the Back Cover

CRL Adjustable Regal Series Hinges

- Adjustable to Suit "Off-Angle" Installations With a Simple Turn of an Allen Screw
- Due to Adjustability, One Model of Hinge Can Handle All Glass-to-Glass Installations
- Allows Continuous Vertical Water Seal
- Requires Holes Only, No Cut-Out



The Adjustable Regal Hinge is unique in design and function. The Wall Mount requires only two holes in the door per hinge (no cut-out). The Glass-to-Glass Model only requires four holes per hinge (two in the door and two in the fixed panel). The Regal Hinge offers an adjustable closing angle from 0 degrees to 90 degrees. After the door is installed, simply loosen the Allen screw, move the door to the desired closed position, and tighten the Allen screw. You have now solved such problems as walls not meeting the door at the perfect 90 degree angle. This adjustment feature means that the single Glass-to-Glass model can accommodate angles from 90 to 180 degrees. When using vinyl sweeps to make the enclosure water resistant, the Regal Hinges allow you to run the sweep from the top to the bottom without cutting it, as the hinge is on the outside of the glass. Door swings 90 degrees outward only. A door stop is required when using this series of hinge. **NOTE:** Models REG037 and REG180 are not available in Europe. See REG025CH and REG185CH on page 181J for European Models.



SPECIFICATIONS

Glass Thickness Range:

5/16" (8 mm) to 3/8" (10 mm) Tempered Safety Glass

Construction: Solid Brass

Hinge Swings: Up to 90 Degrees Outward (Requires Stop)

Closing Type: Precise Close to 0 Degrees

Two 5/8" (16 mm) Diameter Holes required per panel, per hinge, no cut-out

Includes: Gaskets, Phillips Screws, Allen Screws, and Glass Fabrication Dimensions

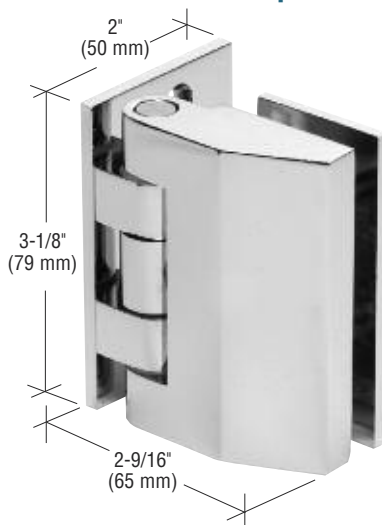
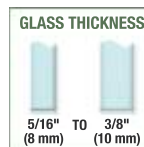
NOTE: Door glass width may require alteration from standard clearance deductions when adjusting angles. Call for Details.

*MAXIMUM CAPACITIES	5/16" (8 MM) GLASS		3/8" (10 MM) GLASS	
	WEIGHT	DOOR WIDTH	WEIGHT	DOOR WIDTH
Using Two Hinges	90 lbs/40 kg	30"/762 mm	90 lbs/40 kg	30"/762 mm
Using Three Hinges	135 lbs/61 kg	34"/864 mm	135 lbs/61 kg	34"/864 mm

* NOTE: Do not exceed maximum door weight or width when choosing proper quantity of hinges.

Wall Mount

- Not Available in Europe



MODEL REG037

Opens up to 90 degrees outward

CAT. NO.

FINISH

REG037CH	Polished Chrome
REG037SC	Satin Chrome (Matte)
REG037BN	Brushed Nickel
REG037PN	Polished Nickel
REG037ABN	Antique Brushed Nickel
REG037BR	Polished Brass
REG037ABR	Antique Brass
REG037ORB	Oil Rubbed Bronze
REG037ABRZ	Antique Bronze
REG037ABCO	Antique Brushed Copper
REG037PCO	Polished Copper
REG037GP	Gold Plated

Minimum order: 1 each. All Frameless Shower Door Hinges can be combined for quantity pricing. Other finishes available on special order. **NOTE:** 'All-Glass' Door Hinges are sold by the each, not in pairs. Be sure to order a minimum of two each hinges to install one door.



C.R. LAURENCE COMPANY

crlaurence.com | usalum.com

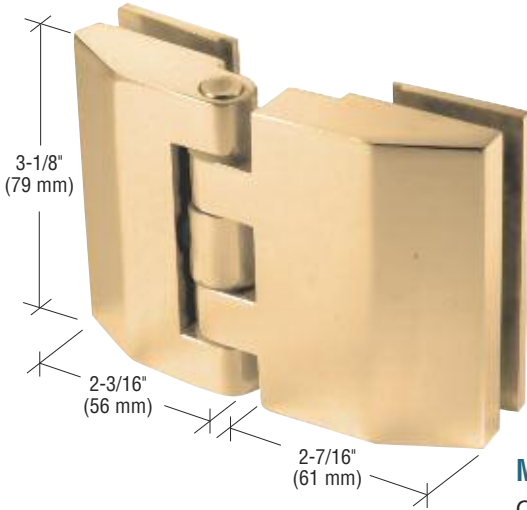
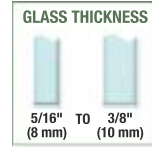
180J | crlaurence.ca crlaurence.com.au crlaurence.co.uk crlaurence.de crlaurence.eu

CRL HINGES FOR 5/16" TO 3/8" (8 TO 10 MM) GLASS

For Pricing Visit crlaurence.com or Call Us Toll Free at the Phone Numbers Shown on the Back Cover

CRL Adjustable Regal Series Hinges Glass-to-Glass

• Not Available in Europe



MODEL REG180

Opens up to 90 degrees outward



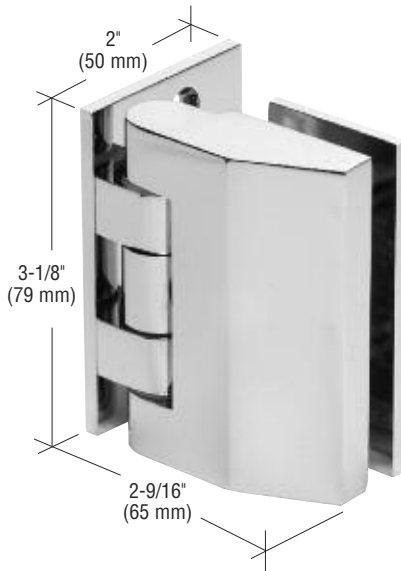
See the complete range of beautiful shower hardware finishes on page 114J

CAT. NO.	FINISH
REG180CH	Polished Chrome
REG180SC	Satin Chrome (Matte)
REG180BN	Brushed Nickel
REG180PN	Polished Nickel
REG180ABN	Antique Brushed Nickel
REG180BR	Polished Brass
REG180SB	Satin Brass
REG180ABR	Antique Brass
REG180ORB	Oil Rubbed Bronze
REG180ABRZ	Antique Bronze
REG180GP	Gold Plated

Minimum order: 1 each. All Frameless Shower Door Hinges can be combined for quantity pricing. Other finishes available on special order. **NOTE:** 'All-Glass' Door Hinges are sold by the each, not in pairs. Be sure to order a minimum of two each hinges to install one door.

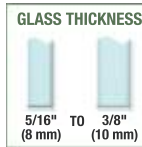
Wall Mount

• Only Available in Europe



MODEL REG025

Opens up to 90 degrees outward

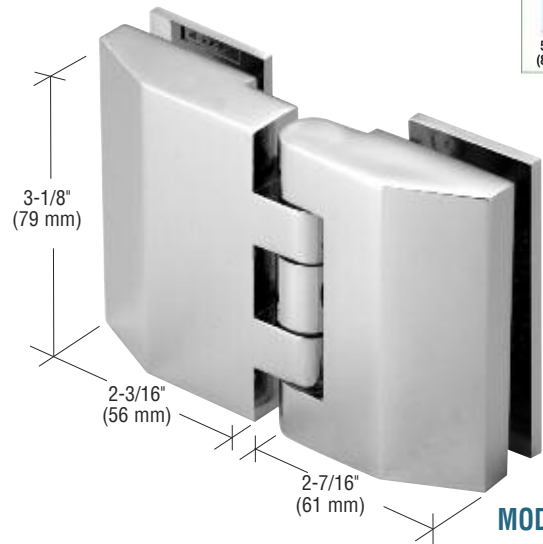


CAT. NO.	FINISH
REG025CH	Polished Chrome

Minimum order: 1 each. All Frameless Shower Door Hinges can be combined for quantity pricing. Other finishes available on special order. **NOTE:** 'All-Glass' Door Hinges are sold by the each, not in pairs. Be sure to order a minimum of two each hinges to install one door.

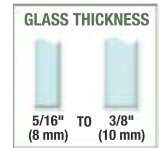
Glass-to-Glass

• Only Available in Europe



MODEL REG185

Opens up to 90 degrees outward



CAT. NO.	FINISH
REG185CH	Polished Chrome

Minimum order: 1 each. All Frameless Shower Door Hinges can be combined for quantity pricing. Other finishes available on special order. **NOTE:** 'All-Glass' Door Hinges are sold by the each, not in pairs. Be sure to order a minimum of two each hinges to install one door.

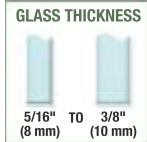
CRL HINGES FOR 5/16" TO 3/8" (8 TO 10 MM) GLASS

For Pricing Visit crlaurence.com or Call Us Toll Free at the Phone Numbers Shown on the Back Cover

CRL Zurich Series Hinges

- Ideal for Bi-Folding Doors, Either Into Shower Enclosure or Out Into Bathroom Area
- Holes Only are Required for Glass Fabrication, No Cut-Out
- Models Offered With Stainless Steel or Brass Construction
- Over a Dozen Popular Stock Finishes Available

The Zurich Series of professional Hinges were our first offering of bi-fold hinges (hinges that operate similar to phone booth doors). Using a combination of Wall Mount and Glass-to-Glass Styles, a bi-folding door can be created that either folds into the tub area, or folds out into the bathroom area. Bi-fold doors are popular for several applications, including ease of bathing young children, and handicapped accommodations. Several models of Glass-to-Glass Hinges are also offered for more standard design conditions. Hinge models feature stainless steel or brass construction (depending on the final finish), and are available in up to 13 popular stock finishes. In addition, special Screw and Accent Washer Kits (see page 185J) are sold separately to allow the user to mix finishes for matching multiple decors.



SPECIFICATIONS:

Glass Thickness Range: 5/16" to 3/8" (8 to 10 mm)
Tempered Safety Glass

Special Feature: Ideal for Bi-Fold Application. For wall mounted bi-folds use ZUR01 and ZUR03 for doors that fold into tub area. Use ZUR02 and ZUR05 for doors that fold out to bathroom area.

Construction: Stainless Steel or Solid Brass

Hinge Swings: See description next to photos of hinges

Closing Type: Free-Swinging

Two Holes Required (No Cut-Out)

Includes: Gaskets, Phillips Screws, Allen Screws, and Glass Fabrication Dimensions

*MAXIMUM CAPACITIES	5/16" (8 MM) GLASS		3/8" (10 MM) GLASS	
	WEIGHT	DOOR WIDTH	WEIGHT	DOOR WIDTH
Using Two Hinges	100 lbs/45 kg	36"/914 mm	100 lbs/45 kg	36"/914 mm
Using Three Hinges	150 lbs/68 kg	40"/1016 mm	150 lbs/68 kg	40"/1016 mm

* NOTE: Do not exceed maximum door weight or width when choosing proper quantity of hinges.



Bi-Fold, Inswing, and Outswing Models Available



C.R. LAURENCE COMPANY

crlaurence.com | usalum.com

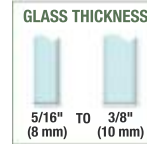
182J | crlaurence.ca crlaurence.com.au crlaurence.co.uk crlaurence.de crlaurence.eu

CRL HINGES FOR 5/16" TO 3/8" (8 TO 10 MM) GLASS

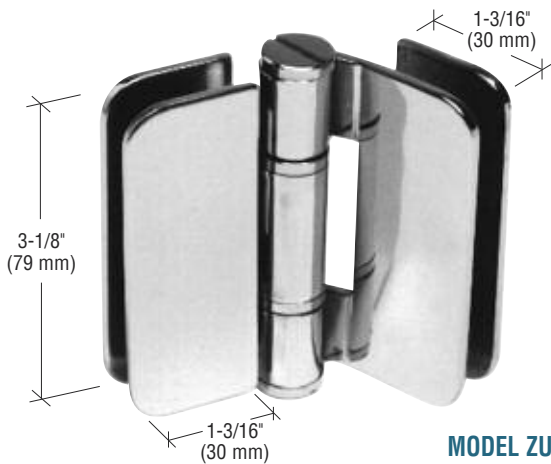
For Pricing Visit crlaurence.com or Call Us Toll Free at the Phone Numbers Shown on the Back Cover

CRL Zurich Series Bi-Fold Hinges

- For a Wall Mounted Bi-Fold that Would Allow the Door to Bi-Fold Into the Tub Area, Use the ZUR01 as the Glass-to-Glass and ZUR03 for the Wall Mount Hinge



180 Degree Glass-to-Glass Outswing or Bi-Fold



MODEL ZUR01

FINISHES:

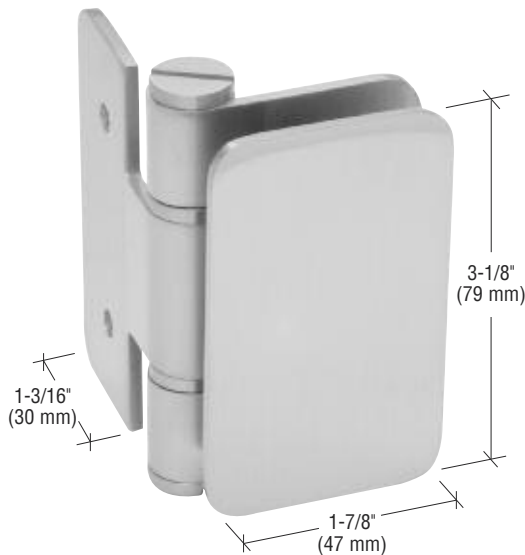


Most models are stocked in the finishes shown here, others are available on special order.

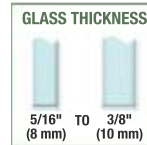
CAT. NO.	FINISH
ZUR01PS	Polished Stainless Steel
ZUR01SS	Brushed Stainless Steel
ZUR01BN	Brushed Nickel
ZUR01PN	Polished Nickel
ZUR01BP	Polished Brass Plated Stainless Steel
ZUR01BR	Polished Brass
ZUR01SB	Satin Brass
ZUR01ABR	Antique Brass
ZUR01ORB	Oil Rubbed Bronze
ZUR01GP	Gold Plated
ZUR01WS	White Painted Stainless/Chrome Screws

Minimum order: 1 each. All Frameless Shower Door Hinges can be combined for quantity pricing. Other finishes available on special order. **NOTE:** All Shower Door Hinges are sold by the each, not in pairs. Be sure to order a minimum of two each hinges to install one door.

Wall Mount Inswing



MODEL ZUR03



FINISHES:



Most models are stocked in the finishes shown here, others are available on special order.

CAT. NO.	FINISH
ZUR03PS	Polished Stainless Steel
ZUR03SS	Brushed Stainless Steel
ZUR03BN	Brushed Nickel
ZUR03BP	Polished Brass Plated Stainless Steel
ZUR03BR	Polished Brass
ZUR03SB	Satin Brass
ZUR03ABR	Antique Brass
ZUR03ORB	Oil Rubbed Bronze
ZUR03GP	Gold Plated
ZUR03WS	White Painted Stainless/Chrome Screws

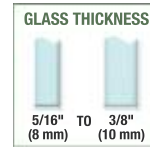
Minimum order: 1 each. All Frameless Shower Door Hinges can be combined for quantity pricing. Other finishes available on special order. **NOTE:** All Shower Door Hinges are sold by the each, not in pairs. Be sure to order a minimum of two each hinges to install one door.

CRL HINGES FOR 5/16" TO 3/8" (8 TO 10 MM) GLASS

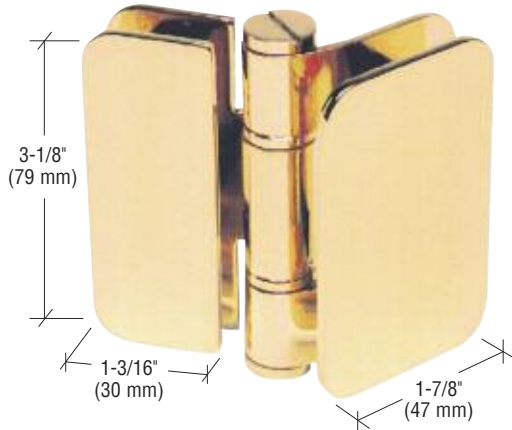
For Pricing Visit crlaurence.com or Call Us Toll Free at the Phone Numbers Shown on the Back Cover

CRL Zurich Series Bi-Fold Hinges

- For a Wall Mounted Bi-Fold that Would Allow the Door to Bi-Fold Outside the Tub Area, Use the ZUR02 as the Glass-to-Glass and ZUR05 for the Wall Mount Hinge



180 Degree Glass-to-Glass Inswing or Bi-Fold



MODEL ZUR02

FINISHES:

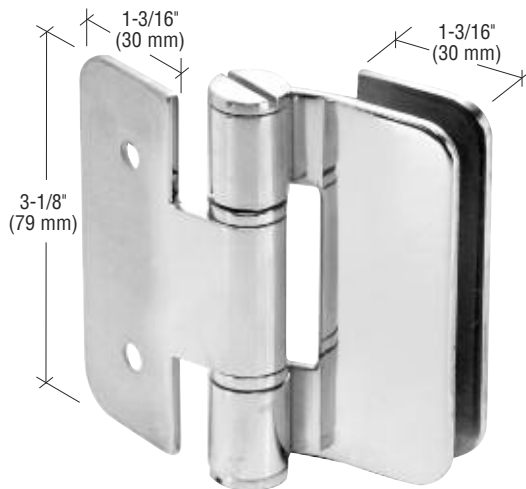


Most models are stocked in the finishes shown here, others are available on special order.

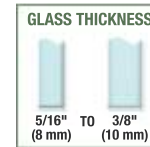
CAT. NO.	FINISH
ZUR02PS	Polished Stainless Steel
ZUR02SS	Brushed Stainless Steel
ZUR02BN	Brushed Nickel
ZUR02PN	Polished Nickel
ZUR02ABN	Antique Brushed Nickel
ZUR02BP	Polished Brass Plated Stainless Steel
ZUR02BR	Polished Brass
ZUR02ABR	Antique Brass
ZUR02ORB	Oil Rubbed Bronze
ZUR02ABCO	Antique Brushed Copper
ZUR02GP	Gold Plated
ZUR02WS	White Painted Stainless/Chrome Screws

Minimum order: 1 each. All Frameless Shower Door Hinges can be combined for quantity pricing. Other finishes available on special order. **NOTE:** All Shower Door Hinges are sold by the each, not in pairs. Be sure to order a minimum of two each hinges to install one door.

Wall Mount Outswing



MODEL ZUR05



FINISHES:



Most models are stocked in the finishes shown here, others are available on special order.

CAT. NO.	FINISH
ZUR05PS	Polished Stainless Steel
ZUR05SS	Brushed Stainless Steel
ZUR05BN	Brushed Nickel
ZUR05PN	Polished Nickel
ZUR05ABN	Antique Brushed Nickel
ZUR05BP	Polished Brass Plated Stainless Steel
ZUR05BR	Polished Brass
ZUR05SB	Satin Brass
ZUR05ABR	Antique Brass
ZUR05ORB	Oil Rubbed Bronze
ZUR05ABCO	Antique Brushed Copper
ZUR05GP	Gold Plated
ZUR05WS	White Painted Stainless/Chrome Screws

Minimum order: 1 each. All Frameless Shower Door Hinges can be combined for quantity pricing. Other finishes available on special order. **NOTE:** All Shower Door Hinges are sold by the each, not in pairs. Be sure to order a minimum of two each hinges to install one door.



C.R. LAURENCE COMPANY

crlaurence.com | usalum.com

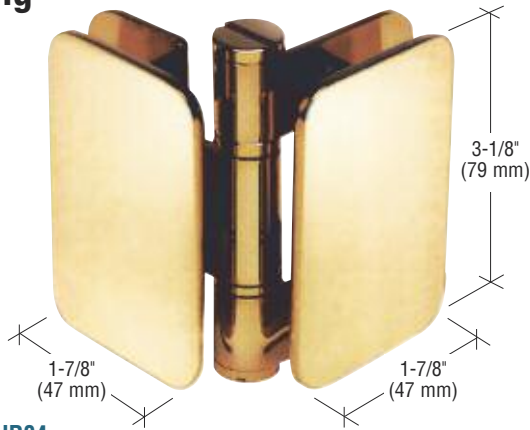
184J | crlaurence.ca crlaurence.com.au crlaurence.co.uk crlaurence.de crlaurence.eu

CRL HINGES FOR 5/16" TO 3/8" (8 TO 10 MM) GLASS

For Pricing Visit crlaurence.com or Call Us Toll Free at the Phone Numbers Shown on the Back Cover

CRL Zurich Series Glass-to-Glass Hinges

Glass-to-Glass Inswing



MODEL ZUR04

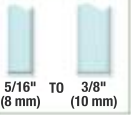


Brass

See the complete range of beautiful shower hardware finishes on page 114J



GLASS THICKNESS



CAT. NO.

ZUR04PS
ZUR04SS
ZUR04BP
ZUR04BR
ZUR04GP
ZUR04WS

FINISH

Polished Stainless Steel
Brushed Stainless Steel
Polished Brass Plated Stainless Steel
Polished Brass
Gold Plated
White Painted Stainless/Chrome Screws

Minimum order: 1 each. All Hinges can be combined for quantity pricing. **NOTE:** All Shower Door Hinges are sold by the each, not in pairs. Be sure to order a minimum of two each hinges to install one door.

Glass-to-Glass Outswing



MODEL ZUR06



CAT. NO.

ZUR06PS
ZUR06SS
ZUR06BP
ZUR06BR
ZUR06GP
ZUR06WS

FINISH

Polished Stainless Steel
Brushed Stainless Steel
Polished Brass Plated Stainless Steel
Oil Rubbed Bronze
Gold Plated
White Painted Stainless/Chrome Screws

Minimum order: 1 each. All Hinges can be combined for quantity pricing. **NOTE:** All Shower Door Hinges are sold by the each, not in pairs. Be sure to order a minimum of two each hinges to install one door.

Glass-to-Glass Inline Outswing



MODEL ZUR07



CAT. NO.

ZUR07PS
ZUR07SS
ZUR07BN
ZUR07PN
ZUR07BP
ZUR07BR
ZUR07SB
ZUR07ABR
ZUR07ORB
ZUR07GP
ZUR07WS

FINISH

Polished Stainless Steel
Brushed Stainless Steel
Brushed Nickel
Polished Nickel
Polished Brass Plated Stainless Steel
Polished Brass
Satin Brass
Antique Brass
Oil Rubbed Bronze
Gold Plated
White Painted Stainless/Chrome Screws

Minimum order: 1 each. All Hinges can be combined for quantity pricing. **NOTE:** All Shower Door Hinges are sold by the each, not in pairs. Be sure to order a minimum of two each hinges to install one door.

CRL Screw and Washer Accent Kit

Interchangeable Screws and Washers for Zurich Series Hinges let you add a special highlighting accent to the installation. Available in four finishes: polished stainless, brushed stainless, polished brass, and gold plated. Includes four screws and washers (enough for one hinge).



CAT. NO.

ZUR70PS
ZUR70SS
ZUR70BR
ZUR70GP

FINISH

Polished Stainless
Brushed Stainless
Polished Brass
Gold Plated

Minimum order: 1 each.

CRL HINGES FOR 5/16" TO 3/8" (8 TO 10 MM) GLASS

For Pricing Visit crlaurence.com or Call Us Toll Free at the Phone Numbers Shown on the Back Cover

CRL Classique Series Hinges

- Rounded Design Sets it Apart From Many Traditional Style Hinges
- Offering Includes Attractive Offset Back Plate Wall Mount Model for Clean Sight Line
- Beveled Edges Lend Elegance to the Design
- Many Stock Finishes to Match Popular Décor



The Classique Shower Door Hinge is a design apart from traditional hinges. Beautiful round design and beveled edges are the result of an artist's unique concept of the perfect hinge for décors with strong curved and contoured influences. There are five distinct models, including an Offset Back Plate Wall Mount Hinge for clean exterior sight lines. The Classique's beveled edges make an excellent presentation of sleek design, while the solid brass construction ensures superior quality and long life.

GLASS THICKNESS

5/16" TO 3/8"
(8 mm) (10 mm)

See the complete range of beautiful shower hardware finishes on page 114J

Brass

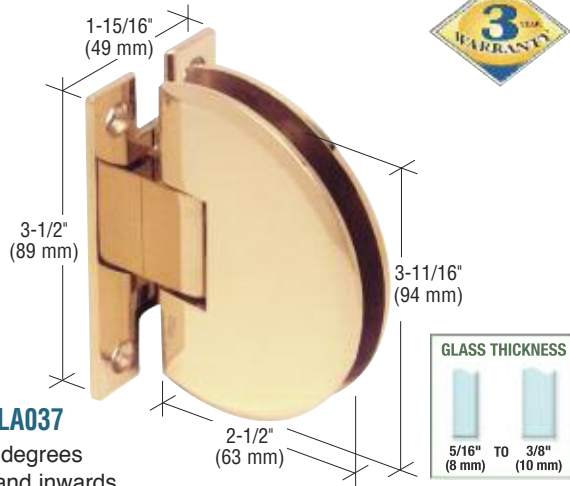
*MAXIMUM CAPACITIES	5/16" (8 MM) GLASS		3/8" (10 MM) GLASS	
	WEIGHT	DOOR WIDTH	WEIGHT	DOOR WIDTH
Using Two Hinges	80 lbs/36 kg	31"/787 mm	80 lbs/36 kg	31"/787 mm
Using Three Hinges	120 lbs/54 kg	34"/864 mm	120 lbs/54 kg	34"/864 mm

* NOTE: Do not exceed maximum door weight or width when choosing proper quantity of hinges.

SPECIFICATIONS

- Glass Thickness Range:** 5/16" (8 mm) to 3/8" (10 mm)
- Tempered Safety Glass**
- Material:** Solid Brass
- Hinge Swings:** 90 Degrees Inwards and Outwards
- Closing Type:** Precise Close to 0 Degrees
- Cut-Out Required**
- Includes:** Gaskets, Phillips Screws, Allen Screws, and Glass Fabrication Dimensions

Wall Mount Full Back Plate



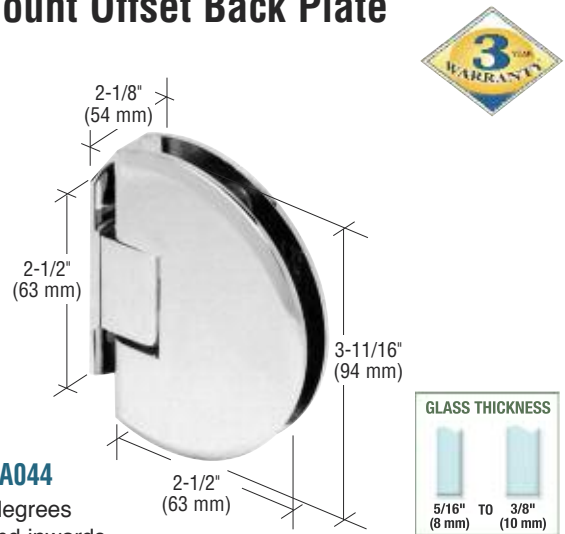
MODEL CLA037

Opens 90 degrees outwards and inwards

CAT. NO.	FINISH
CLA037CH	Polished Chrome
CLA037SC	Satin Chrome (Matte)
CLA037BSC	Brushed Satin Chrome
CLA037BN	Brushed Nickel
CLA037PN	Polished Nickel
CLA037BR	Polished Brass
CLA037ABR	Antique Brass
CLA037ORB	Oil Rubbed Bronze
CLA037GP	Gold Plated
CLA037W	White/Chrome Screws

Minimum order: 1 each. All Hinges can be combined for quantity pricing. NOTE: All Shower Door Hinges are sold by the each, not in pairs. Be sure to order a minimum of two each hinges to install one door.

Wall Mount Offset Back Plate



MODEL CLA044

Opens 90 degrees outwards and inwards

CAT. NO.	FINISH
CLA044CH	Polished Chrome
CLA044SC	Satin Chrome (Matte)
CLA044BN	Brushed Nickel
CLA044PN	Polished Nickel
CLA044BR	Polished Brass
CLA044SB	Satin Brass
CLA044GP	Gold Plated
CLA044W	White/Chrome Screws
CLA044BL	Black/Chrome Screws

Minimum order: 1 each. All Hinges can be combined for quantity pricing. NOTE: All Shower Door Hinges are sold by the each, not in pairs. Be sure to order a minimum of two each hinges to install one door.



C.R. LAURENCE COMPANY

crlaurence.com | usalum.com

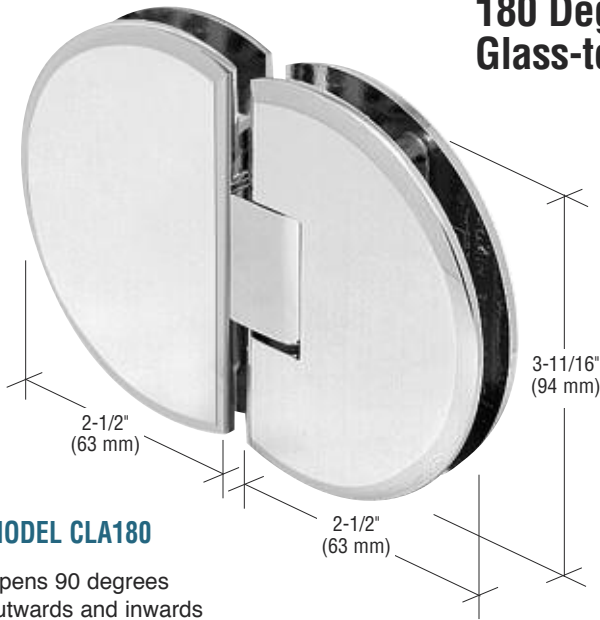
186J | crlaurence.ca crlaurence.com.au crlaurence.co.uk crlaurence.de crlaurence.eu

CRL HINGES FOR 5/16" TO 3/8" (8 TO 10 MM) GLASS

For Pricing Visit crlaurence.com or Call Us Toll Free at the Phone Numbers Shown on the Back Cover

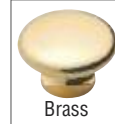
CRL Classique Series Hinges

180 Degree Glass-to-Glass



MODEL CLA180

Opens 90 degrees outwards and inwards



Brass

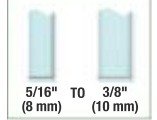
See the complete range of beautiful shower hardware finishes on page 114J



Certification (See Page 107J)



GLASS THICKNESS



CAT. NO.

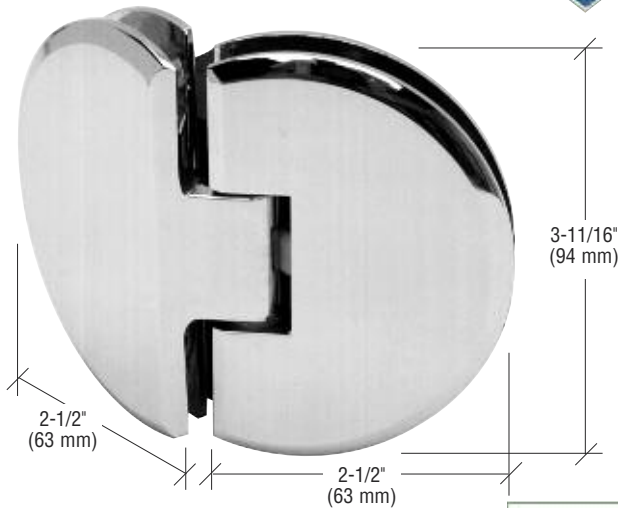
CLA180CH
CLA180SC
CLA180BN
CLA180CBA
CLA180BR
CLA180GP
CLA180W

FINISH

Polished Chrome
Satin Chrome (Matte)
Brushed Nickel
Chrome/Brass Accents
Polished Brass
Gold Plated
White/Chrome Screws

Minimum order: 1 each. All Frameless Shower Door Hinges can be combined for quantity pricing. Other finishes available on special order. **NOTE:** All Shower Door Hinges are sold by the each, not in pairs. Be sure to order a minimum of two each hinges to install one door.

135 Degree Glass-to-Glass

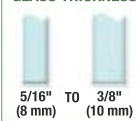


MODEL CLA135

Opens 90 degrees outwards and inwards



GLASS THICKNESS



CAT. NO.

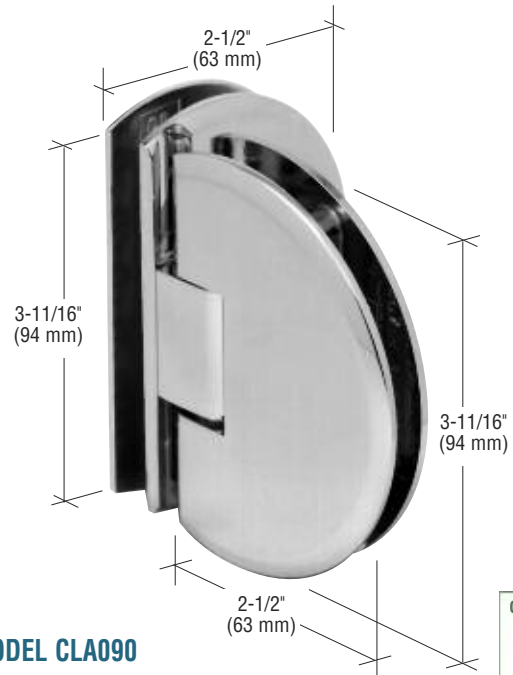
CLA135CH
CLA135SC
CLA135BN
CLA135PN
CLA135BR
CLA135GP
CLA135W

FINISH

Polished Chrome
Satin Chrome (Matte)
Brushed Nickel
Polished Nickel
Polished Brass
Gold Plated
White/Chrome Screws

Minimum order: 1 each. All Frameless Shower Door Hinges can be combined for quantity pricing. Other finishes available on special order. **NOTE:** All Shower Door Hinges are sold by the each, not in pairs. Be sure to order a minimum of two each hinges to install one door.

90 Degree Glass-to-Glass

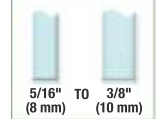


MODEL CLA090

Opens 90 degrees outwards and inwards



GLASS THICKNESS



CAT. NO.

CLA090CH
CLA090BN
CLA090SC
CLA090W

FINISH

Polished Chrome
Brushed Nickel
Satin Chrome (Matte)
White/Chrome Screws

Minimum order: 1 each. All Frameless Shower Door Hinges can be combined for quantity pricing. Other finishes available on special order. **NOTE:** All Shower Door Hinges are sold by the each, not in pairs. Be sure to order a minimum of two each hinges to install one door.

CRL HINGES FOR 5/16" TO 3/8" (8 TO 10 MM) GLASS

For Pricing Visit crlaurence.com or Call Us Toll Free at the Phone Numbers Shown on the Back Cover

CRL Grande Series Hinges

- Have the Ability to be Side Mounted at the Top and Bottom Corners of the Glass if Desired
- Allows More Glass Exposure
- Both Cut-Out and Hole Required for Safety
- Up to 8 Stock Finishes, With Custom Finishes Available



The Grande Hinge incorporates a larger mounting surface to provide superior support for frameless shower doors. The beveled edges are an attractive accent to Grande's strong rectangular design, and the Offset Back Plate Wall Mount Model gives a clean exterior appearance. Grande Hinges can be mounted on the top and bottom corners of the door, or anywhere in between. Grande is constructed of solid brass for years of reliable service.



*MAXIMUM CAPACITIES	5/16" (8 MM) GLASS		3/8" (10 MM) GLASS	
	WEIGHT	DOOR WIDTH	WEIGHT	DOOR WIDTH
Using Two Hinges	90 lbs/41 kg	31"/787 mm	90 lbs/41 kg	31"/787 mm
Using Three Hinges	134 lbs/61 kg	34"/864 mm	134 lbs/61 kg	34"/864 mm

* NOTE: Do not exceed maximum door weight or width when choosing proper quantity of hinges.

SPECIFICATIONS:

Glass Thickness Range: 5/16" (8 mm) to 3/8" (10 mm)
Tempered Safety Glass

Construction: Solid Brass

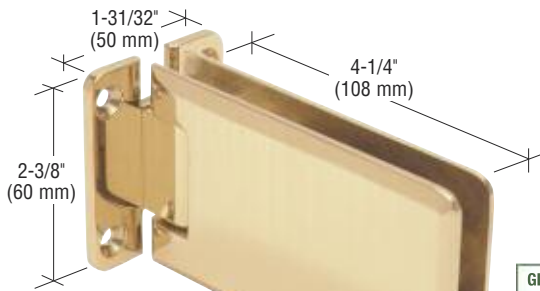
Hinge Swings: 90 Degrees Inwards and Outwards

Closing Type: Precise Close to 0 Degrees

Cut-Out and Hole Required

Includes: Gaskets, Phillips Screws, Allen Screws, and Glass Fabrication Dimensions

Wall Mount Standard Back Plate



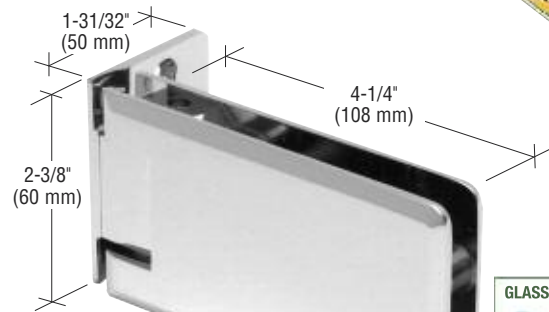
MODEL GRA037

Opens 90 degrees outwards and inwards

CAT. NO.	FINISH
GRA037CH	Polished Chrome
GRA037SC	Satin Chrome (Matte)
GRA037BN	Brushed Nickel
GRA037BR	Polished Brass
GRA037ABR	Antique Brass
GRA037ORB	Oil Rubbed Bronze
GRA037GP	Gold Plated

Minimum order: 1 each. All Frameless Shower Door Hinges can be combined for quantity pricing. Other finishes available on special order. **NOTE:** All Shower Door Hinges are sold by the each, not in pairs. Be sure to order a minimum of two each hinges to install one door.

Wall Mount Offset Back Plate



MODEL GRA044

Opens 90 degrees outwards and inwards

CAT. NO.	FINISH
GRA044CH	Polished Chrome
GRA044SC	Satin Chrome (Matte)
GRA044BN	Brushed Nickel
GRA044BR	Polished Brass
GRA044ABR	Antique Brass
GRA044ORB	Oil Rubbed Bronze
GRA044GP	Gold Plated

Minimum order: 1 each. All Frameless Shower Door Hinges can be combined for quantity pricing. Other finishes available on special order. **NOTE:** All Shower Door Hinges are sold by the each, not in pairs. Be sure to order a minimum of two each hinges to install one door.



C.R. LAURENCE COMPANY

crlaurence.com | usalum.com

188J | crlaurence.ca crlaurence.com.au crlaurence.co.uk crlaurence.de crlaurence.eu

CRL HINGES FOR 5/16" TO 3/8" (8 TO 10 MM) GLASS

For Pricing Visit crlaurence.com or Call Us Toll Free at the Phone Numbers Shown on the Back Cover

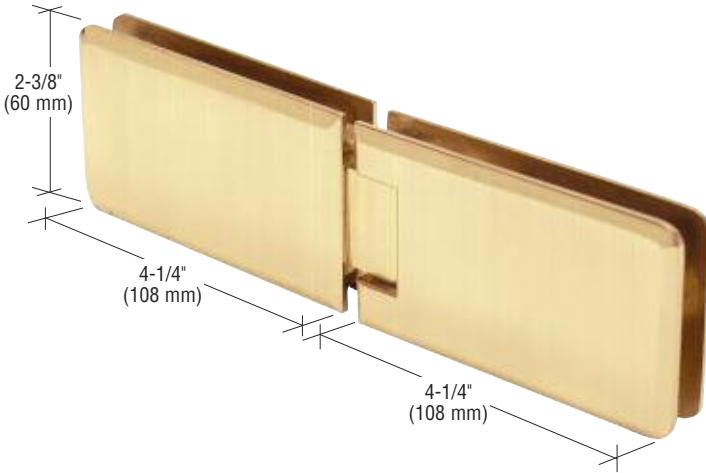
CRL Grande Series Hinges

180 Degree Glass-to-Glass



Brass

See the complete range of beautiful shower hardware finishes on page 114J



CE
Certification
(See Page 107J)



MODEL GRA180

Opens 90 degrees
outwards and inwards

CAT. NO.

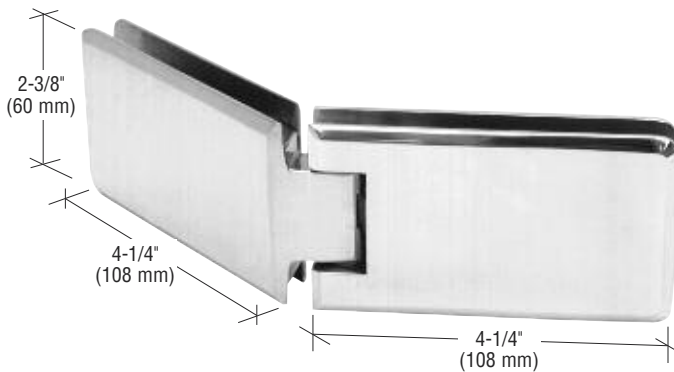
GRA180CH
GRA180SC
GRA180BN
GRA180BR
GRA180SB
GRA180ABR
GRA180ORB
GRA180GP

FINISH

Polished Chrome
Satin Chrome (Matte)
Brushed Nickel
Polished Brass
Satin Brass
Antique Brass
Oil Rubbed Bronze
Gold Plated

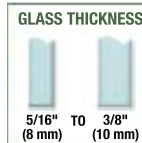
Minimum order: 1 each. All Frameless Shower Door Hinges can be combined for quantity pricing. Other finishes available on special order. **NOTE:** All Shower Door Hinges are sold by the each, not in pairs. Be sure to order a minimum of two each hinges to install one door.

135 Degree Glass-to-Glass



MODEL GRA135

Opens 90 degrees
outwards and inwards



CAT. NO.

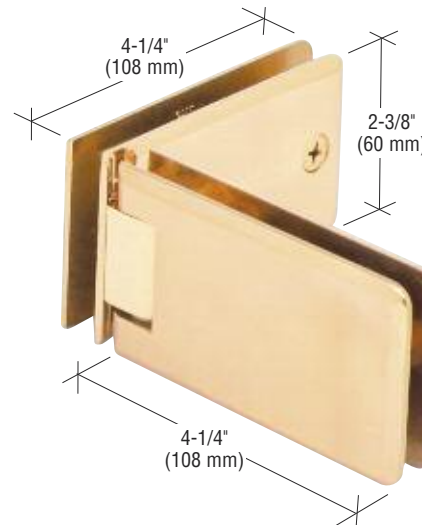
GRA135CH
GRA135SC
GRA135BN
GRA135BR
GRA135GP

FINISH

Polished Chrome
Satin Chrome (Matte)
Brushed Nickel
Polished Brass
Gold Plated

Minimum order: 1 each. All Frameless Shower Door Hinges can be combined for quantity pricing. Other finishes available on special order. **NOTE:** All Shower Door Hinges are sold by the each, not in pairs. Be sure to order a minimum of two each hinges to install one door.

90 Degree Glass-to-Glass



MODEL GRA090

Opens 90 degrees
outwards and inwards



CAT. NO.

GRA090CH
GRA090BN
GRA090BR
GRA090GP

FINISH

Polished Chrome
Brushed Nickel
Polished Brass
Gold Plated

Minimum order: 1 each. All Frameless Shower Door Hinges can be combined for quantity pricing. Other finishes available on special order. **NOTE:** All Shower Door Hinges are sold by the each, not in pairs. Be sure to order a minimum of two each hinges to install one door.

CRL HINGES FOR 5/16" TO 3/8" (8 TO 10 MM) GLASS

For Pricing Visit crlaurence.com or Call Us Toll Free at the Phone Numbers Shown on the Back Cover

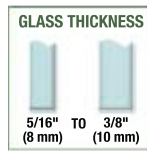
CRL Adjustable Grande Series Hinges

- Ideal for Use When Door Does Not Meet Wall or Adjoining Glass Panel at Correct Angle
- Allows Adjustability Up to 90 Degrees From Standard Closing Position
- Adjustability Made Easy By Loosening and Tightening of Allen Set Screws After Installation
- Both Cut-Out and Hole Required for Safety
- Four Stock Finishes, With Custom Finishes Available

new

CE
Certification
(See Page 107J)

The Adjustable Grande Series incorporates a larger mounting surface to provide superior support for frameless shower doors. Adjustment to accommodate the desired angle (up to 90 degrees) is done after the door is installed. Once the door is hung, simply loosen the Allen set screws and turn the door to the desired closed position. By merely tightening the Allen screws your door will close precisely to 0 degrees. The door can swing 90 degrees inward and 90 degrees outward (adjusting angle from factory set position will reduce 90 degree swing in that direction). For doors pulling outwards only (using a clear door jamb), you can adjust the hinge to close 5 degrees inside the shower area, thus having the door close snugly against the jamb.



FINISHES:



Most models are stocked in the finishes shown here, others are available on special order.

*MAXIMUM CAPACITIES	5/16" (8 MM) GLASS		3/8" (10 MM) GLASS	
	WEIGHT	DOOR WIDTH	WEIGHT	DOOR WIDTH
Using Two Hinges	90 lbs/41 kg	31"/787 mm	90 lbs/41 kg	31"/787 mm
Using Three Hinges	134 lbs/61 kg	34"/864 mm	134 lbs/61 kg	34"/864 mm

* NOTE: Do not exceed maximum door weight or width when choosing proper quantity of hinges.

SPECIFICATIONS:

Glass Thickness Range: 5/16" (8 mm) to 3/8" (10 mm)

Tempered Safety Glass

Special Feature: Adjustable to any angle up to 90 degrees without having to take the door down

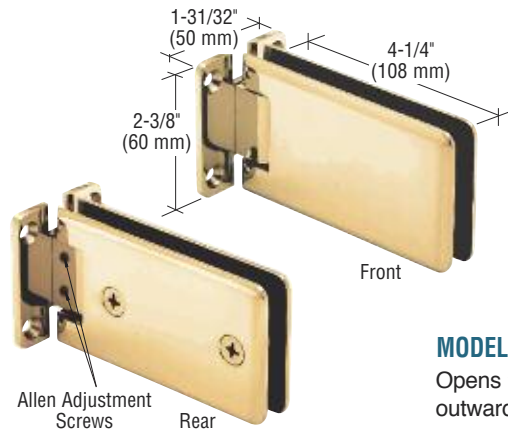
Material: Solid Brass

Closing Type: Precise Close to 0 Degrees

Cut-Out and Hole Required

Includes: Gaskets, Phillips Screws, Allen Screws, and Glass Fabrication Dimensions

Adjustable Wall Mount Standard Back Plate

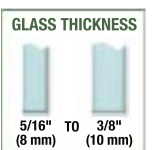
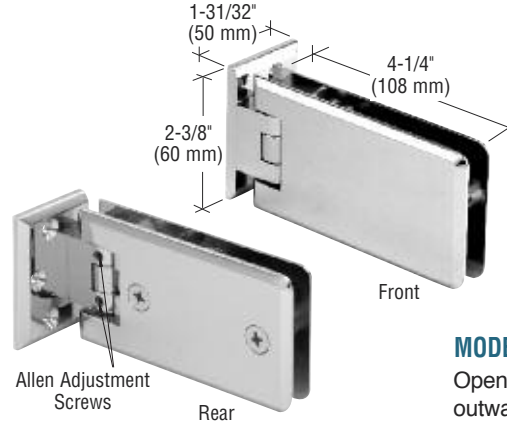


MODEL GRA337
Opens 90 degrees outwards and inwards

CAT. NO.	FINISH
GRA337CH	Polished Chrome
GRA337SC	Satin Chrome (Matte)
GRA337BN	Brushed Nickel
GRA337BR	Polished Brass

Minimum order: 1 each. All Frameless Shower Door Hinges can be combined for quantity pricing. Other finishes available on special order. **NOTE:** All Shower Door Hinges are sold by the each, not in pairs. Be sure to order a minimum of two each hinges to install one door.

Adjustable Wall Mount Offset Back Plate



MODEL GRA344
Opens 90 degrees outwards and inwards

CAT. NO.	FINISH
GRA344CH	Polished Chrome
GRA344SC	Satin Chrome (Matte)
GRA344BN	Brushed Nickel
GRA344BR	Polished Brass

Minimum order: 1 each. All Frameless Shower Door Hinges can be combined for quantity pricing. Other finishes available on special order. **NOTE:** All Shower Door Hinges are sold by the each, not in pairs. Be sure to order a minimum of two each hinges to install one door.



C.R. LAURENCE COMPANY

crlaurence.com | usalum.com

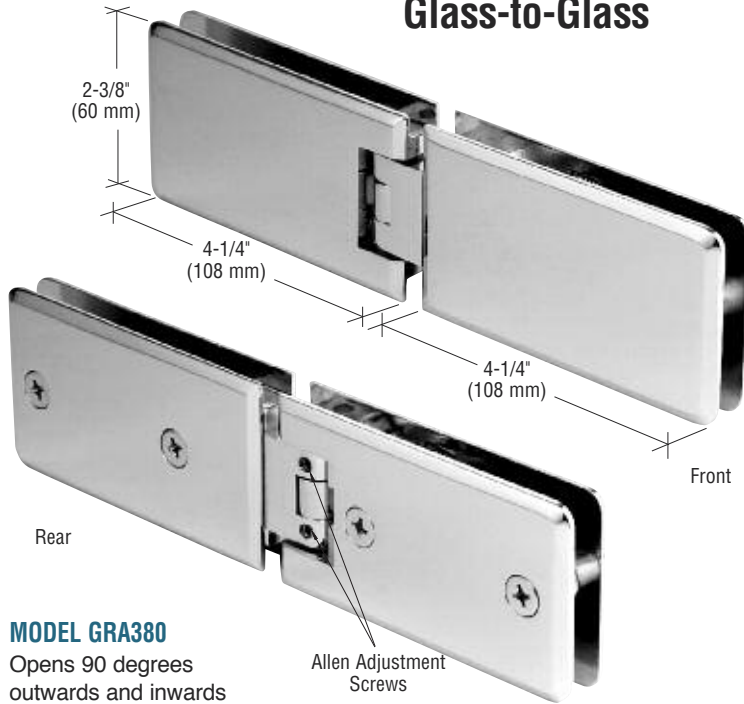
190J | crlaurence.ca crlaurence.com.au crlaurence.co.uk crlaurence.de crlaurence.eu

CRL HINGES FOR 5/16" TO 3/8" (8 TO 10 MM) GLASS

For Pricing Visit crlaurence.com or Call Us Toll Free at the Phone Numbers Shown on the Back Cover

CRL Adjustable Grande Series Hinges

Adjustable 180 Degree Glass-to-Glass

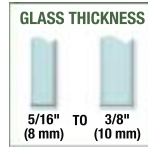


MODEL GRA380

Opens 90 degrees outwards and inwards

Allen Adjustment Screws

new



CE
Certification
(See Page 107J)

FINISHES:



Chrome Satin Chrome (Matte) Brushed Nickel Brass

Most models are stocked in the finishes shown here, others are available on special order.

CAT. NO.

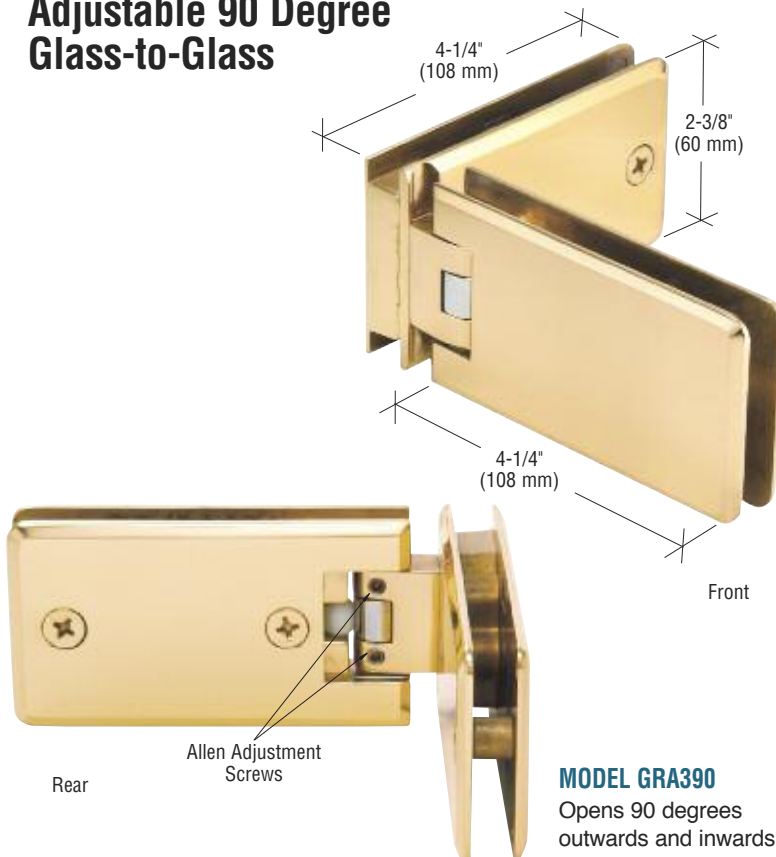
GRA380CH
GRA380SC
GRA380BN
GRA380BR

FINISH

Polished Chrome
Satin Chrome (Matte)
Brushed Nickel
Polished Brass

Minimum order: 1 each. All Frameless Shower Door Hinges can be combined for quantity pricing. Other finishes available on special order. **NOTE:** All Shower Door Hinges are sold by the each, not in pairs. Be sure to order a minimum of two each hinges to install one door.

Adjustable 90 Degree Glass-to-Glass



MODEL GRA390

Opens 90 degrees outwards and inwards

Allen Adjustment Screws

new



CE
Certification
(See Page 107J)



FINISHES:



Chrome Satin Chrome (Matte) Brushed Nickel Brass

Most models are stocked in the finishes shown here, others are available on special order.

CAT. NO.

GRA390CH
GRA390SC
GRA390BN
GRA390BR

FINISH

Polished Chrome
Satin Chrome (Matte)
Brushed Nickel
Polished Brass

Minimum order: 1 each. All Frameless Shower Door Hinges can be combined for quantity pricing. Other finishes available on special order. **NOTE:** All Shower Door Hinges are sold by the each, not in pairs. Be sure to order a minimum of two each hinges to install one door.

CRL HINGES FOR 5/16" TO 3/8" (8 TO 10 MM) GLASS

For Pricing Visit crlaurence.com or Call Us Toll Free at the Phone Numbers Shown on the Back Cover

CRL Riviera Series Hinges

- Wall Mount and 180 Degree Glass-to-Glass Models Available
- Hinges Lift Door When Opening to Avoid Bottom Sweep Dragging
- Concealed Mounting Screws
- Made of Solid Brass
- Accommodates 5/16" to 3/8" (8 to 10 mm) Thick Tempered Glass

SPECIFICATIONS:

Glass Thickness: 5/16" (8 mm) to 3/8" (10 mm) Tempered Safety Glass

Material: Solid Brass

Hinge Swings: Outwards Only

Closing Type: Self Closes from Approximately 60 Degrees

Countersunk Holes Required

Includes: Gaskets, Screws, Flush Mount Glass Attachments, and Spanner Tool.

FINISHES:



Polished Chrome Brushed Satin Chrome
Most models are stocked in the finishes shown here, others are available on special order.

new

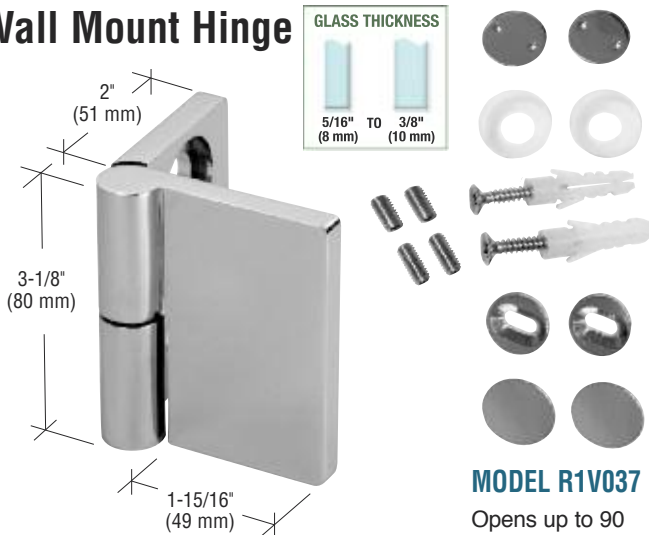


The Riviera Hinge will self-close from approximately 60 degrees, and will hold open at 90 degrees. As the door opens, the hinge lifts the glass so the sweep will not bind at the bottom. Being a gravity type hinge, the weight of the door assists with the self-closing feature. An attractive flush mount fastener is on the rear of the hinge, and the mounting screws are concealed. Made of solid brass and stocked in two finishes. Countersunk holes are required in the glass. We suggest that you give your glass fabricator a sample Flush Mount Glass Attachment to ensure a proper flush fit. Riviera Hinges accommodate 5/16" to 3/8" (8 to 10 mm) thick tempered safety glass. **NOTE:** Handing of hinge as viewed from outside the shower.

*MAXIMUM CAPACITIES	5/16" (8 MM) GLASS		3/8" (10 MM) GLASS	
	WEIGHT	DOOR WIDTH	WEIGHT	DOOR WIDTH
Using Two Hinges	80 lbs/36 kg	28"/711 mm	80 lbs/36 kg	28"/711 mm
Using Three Hinges	120 lbs/54 kg	34"/864 mm	120 lbs/54 kg	34"/864 mm

*NOTE: Do not exceed maximum door weight or width when choosing proper quantity of hinges.

Wall Mount Hinge



MODEL R1V037

Opens up to 90 degrees outward

LEFT HANDED * CAT. NO.	RIGHT HANDED * CAT. NO.	FINISH
R1V037LCH	R1V037RCH	Polished Chrome
R1V037LBSC	R1V037RBSC	Brushed Satin Chrome

Minimum order: 1 each. *Handing as viewed from outside shower. All Frameless Shower Door Hinges can be combined for quantity pricing. Other finishes available on special order. **NOTE:** 'All-Glass' Door Hinges are sold by the each, not in pairs. Be sure to order a minimum of two each hinges to install one door.

180 Degree Glass-to-Glass



MODEL R1V180

Opens up to 180 degrees outward

LEFT HANDED * CAT. NO.	RIGHT HANDED * CAT. NO.	FINISH
R1V180LCH	R1V180RCH	Polished Chrome
R1V180LBSC	R1V180RBSC	Brushed Satin Chrome

Minimum order: 1 each. *Handing as viewed from outside shower. All Frameless Shower Door Hinges can be combined for quantity pricing. Other finishes available on special order. **NOTE:** 'All-Glass' Door Hinges are sold by the each, not in pairs. Be sure to order a minimum of two each hinges to install one door.



C.R. LAURENCE COMPANY

crlaurence.com | usalum.com

192J | crlaurence.ca crlaurence.com.au crlaurence.co.uk crlaurence.de crlaurence.eu

CRL HINGES FOR 1/4" TO 5/16" (6 to 8 mm) GLASS

For Pricing Visit crlaurence.com or Call Us Toll Free at the Phone Numbers Shown on the Back Cover

CRL Junior Geneva Wall Mount Series Hinges



- Our Most Popular 1/4" to 5/16" (6 to 8 mm) Hinge Series
- Choice of Models That Close to Standard Closing Position, or Models That Close 5 Degrees Further Into Shower Enclosure
- Reversible Pivot Pin Allows Installation Options

The same elegant European design that has made our Geneva Series so popular is available in a smaller version, the Junior Geneva, which offers flexibility of application. There are three Wall Mount Styles along with 90, 135, and 180 Degree Glass-to-Glass styles used to accommodate 1/4" (6 mm) to 5/16" (8 mm) thick glass. The Junior Geneva is self-centering and available in up to 10 stock finishes. They contain a Reversible Pivot Pin for optional 5 degree tighter door closure.



See the complete range of beautiful shower hardware finishes on page 114J

*MAXIMUM CAPACITIES	1/4" (6 MM) GLASS		5/16" (8 MM) GLASS	
	WEIGHT	DOOR WIDTH	WEIGHT	DOOR WIDTH
Using Two Hinges	62 lbs/28 kg	28"/711 mm	62 lbs/28 kg	28"/711 mm
Using Three Hinges	92 lbs/42 kg	32"/813 mm	92 lbs/42 kg	32"/813 mm

* NOTE: Do not exceed maximum door weight or width when choosing proper quantity of hinges.

SPECIFICATIONS

Glass Thickness Range: 1/4" (6 mm) to 5/16" (8 mm)

Tempered Safety Glass

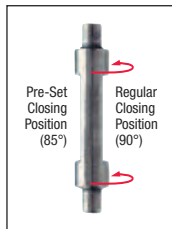
Construction: Solid Brass

Hinge Swings: 90 Degrees Inwards and Outwards

Closing Type: Self-Centering When Within 15 Degrees of Closed Position

Cut-Out Required

Includes: Gaskets, Phillips Screws, Allen Screws, and Glass Fabrication Dimensions



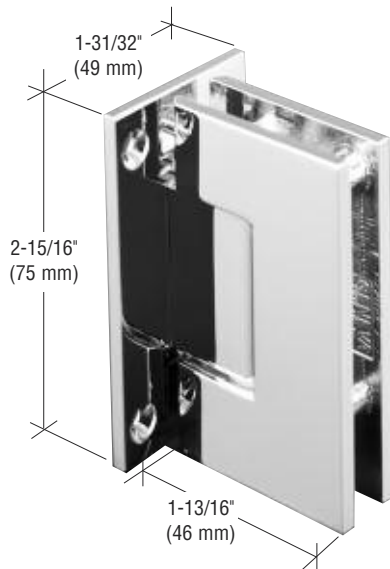
STANDARD REVERSIBLE PIVOT PIN

Each Geneva Hinge contains a Reversible Pivot Pin. One side of the Pin is marked at 90 degrees. The opposite side of the Pin is marked 85 degrees. Junior Geneva Hinges come with the 90 degree side activated. Pre-Set Models come with the Pin pre-set for 85 degrees (5 degree tighter closure into shower interior). The Pin can be rotated (not flipped upside down) to activate the other side.



CUSTOM PIVOT PIN

Custom Pivot Pins are available to accommodate "off-angle" installations. As an example, you may encounter a wall that will not meet your door at 90 degrees. If the standard 5 degree Pivot Pin contained in the hinge does not assist in closing the door to the position desired, you may specify the angle needed for a Custom Pivot Pin (up to 45 degrees).



Wall Mount Full Back Plate

Stocked in two models:

Standard MODEL JRG037

Factory set for standard closing position

5 Degree Pre-Set MODEL JRG537

Factory set for 5 degree tighter closure into shower interior



STANDARD WALL MOUNT CAT. NO.	5 DEGREE PRE-SET WALL MOUNT CAT. NO.	FINISH
JRG037CH	JRG537CH	Polished Chrome
JRG037SC	---	Satin Chrome (Matte)
JRG037BN	JRG537BN	Brushed Nickel
JRG037BR	JRG537BR	Polished Brass
JRG037SB	---	Satin Brass
JRG037ORB	---	Oil Rubbed Bronze
JRG037GP	---	Gold Plated
JRG037WC	---	White/Chrome Screws
JRG037BL	---	Black/Chrome Screws

Minimum order: 1 each. All Frameless Shower Door Hinges can be combined for quantity pricing. Other finishes available on special order. **NOTE:** All Shower Door Hinges are sold by each, not in pairs. Be sure to order a minimum of two each hinges to install one door.



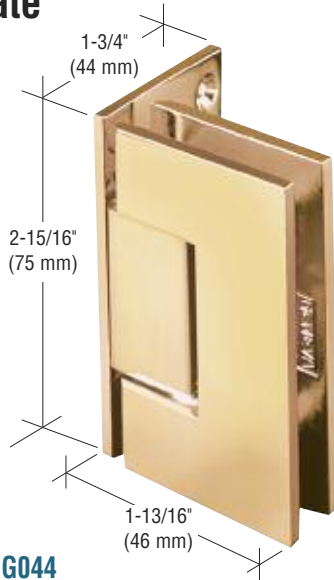
CRL HINGES FOR 1/4" TO 5/16" (6 TO 8 MM) GLASS

For Pricing Visit crlaurence.com or Call Us Toll Free at the Phone Numbers Shown on the Back Cover

CRL Junior Geneva Series Wall Mount Hinges



Wall Mount Offset Back Plate

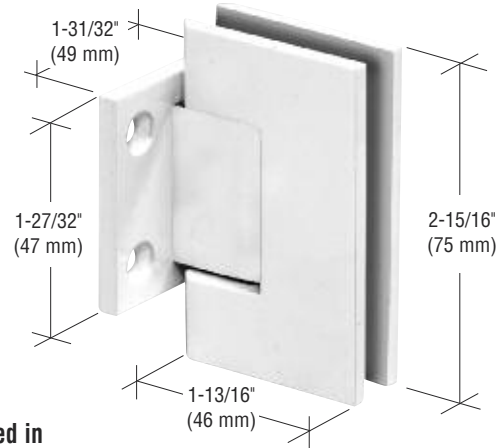


MODEL JRG044

Opens 90 degrees outwards and inwards



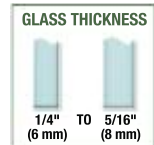
Wall Mount Short Back Plate



Stacked in two models:

Standard
MODEL JRG074
Factory set for standard closing position

5 Degree Pre-Set
MODEL JRG574
Factory set for 5 degree tighter closure into shower interior



CAT. NO.	FINISH
JRG044CH	Polished Chrome
JRG044SC	Satin Chrome (Matte)
JRG044BN	Brushed Nickel
JRG044PN	Polished Nickel
JRG044BR	Polished Brass
JRG044ABR	Antique Brass
JRG044ORB	Oil Rubbed Bronze
JRG044GP	Gold Plated
JRG044WC	White/Polished Chrome Center Block and Screws
JRG044AW	All White

Minimum order: 1 each. All Frameless Shower Door Hinges can be combined for quantity pricing. Other finishes available on special order. **NOTE:** All Shower Door Hinges are sold by the each, not in pairs. Be sure to order a minimum of two each hinges to install one door.

STANDARD WALL MOUNT CAT. NO.	5 DEGREE PRE-SET WALL MOUNT CAT. NO.	FINISH
JRG074CH	JRG574CH	Polished Chrome
JRG074SC	---	Satin Chrome (Matte)
JRG074BN	---	Brushed Nickel
JRG074BR	---	Polished Brass
JRG074GP	---	Gold Plated
JRG074WC	---	White/Polished Chrome Center Block and Screws

Minimum order: 1 each. All Frameless Shower Door Hinges can be combined for quantity pricing. Other finishes available on special order. **NOTE:** All Shower Door Hinges are sold by each, not in pairs. Be sure to order a minimum of two each hinges to install one door.



C.R. LAURENCE COMPANY

crlaurence.com | usalum.com

194J | crlaurence.ca crlaurence.com.au crlaurence.co.uk crlaurence.de crlaurence.eu

CRL HINGES FOR 1/4" TO 5/16" (6 TO 8 MM) GLASS

For Pricing Visit crlaurence.com or Call Us Toll Free at the Phone Numbers Shown on the Back Cover

CRL Junior Geneva Series Glass-to-Glass Hinges



- Our Most Popular 1/4" to 5/16" (6 to 8 mm) Hinge Series
- Choice of Models That Close to Standard Closing Position, or Models That Close 5 Degrees Further Into Shower Enclosure
- Reversible Pivot Pin Allows Installation Options

The Junior Geneva Glass-to-Glass Series Hinge is available in three styles; 90, 135, and 180 Degrees. The Hinge is self-centering and available in up to eight stock finishes. They contain a Reversible Pivot Pin for optional 5 degree tighter door closure. Used to accommodate 1/4" (6 mm) to 5/16" (8 mm) thick glass.



See the complete range of beautiful shower hardware finishes on page 114J

Brass

SPECIFICATIONS

Glass Thickness Range: 1/4" (6 mm) to 5/16" (8 mm)
Tempered Safety Glass

Construction: Solid Brass

Hinge Swings: 90 Degrees Inwards and Outwards

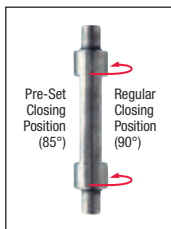
Closing Type: Self-Centering When Within 15 Degrees of Closed Position

Cut-Out Required

Includes: Gaskets, Phillips Screws, Allen Screws, and Glass Fabrication Dimensions

*MAXIMUM CAPACITIES	1/4" (6 MM) GLASS		5/16" (8 MM) GLASS	
	WEIGHT	DOOR WIDTH	WEIGHT	DOOR WIDTH
Using Two Hinges	62 lbs/28 kg	28"/711 mm	62 lbs/28 kg	28"/711 mm
Using Three Hinges	92 lbs/42 kg	32"/813 mm	92 lbs/42 kg	32"/813 mm

* NOTE: Do not exceed maximum door weight or width when choosing proper quantity of hinges.



STANDARD REVERSIBLE PIVOT PIN

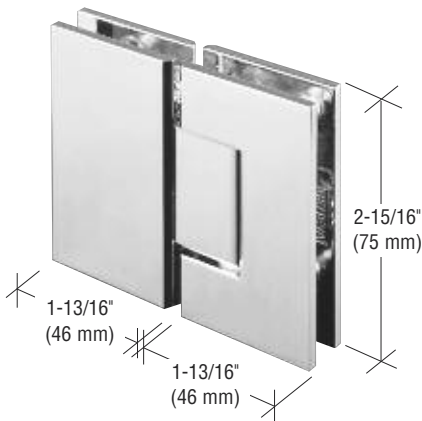
Each Junior Geneva Hinge contains a Reversible Pivot Pin. One side of the Pin is marked at 90 degrees. The opposite side of the Pin is marked 85 degrees. Junior Geneva Hinges come with the 90 degree side activated. Pre-Set Models come with the Pin pre-set for 85 degrees (5 degrees tighter closure into shower interior). The Pin can be rotated (not flipped upside down) to activate the other side.



CUSTOM PIVOT PIN

Custom Pivot Pins are available to accommodate "off-angle" installations. As an example, you may encounter a wall that will not meet your door at 90 degrees. If the standard 5 degrees Pivot Pin contained in the hinge does not assist in closing the door to the position desired, you may specify the angle needed for a Custom Pivot Pin (up to 45 degrees).

180 Degree Glass-to-Glass



Stocked in two models:

Standard
MODEL JRG180
Factory set for standard closing position

5 Degree Pre-Set
MODEL JRG580
Factory set for 5 degree tighter closure into shower interior

STANDARD 180 DEGREE GLASS-TO-GLASS CAT. NO.	5 DEGREE PRE-SET 180 DEGREE GLASS-TO-GLASS CAT. NO.	FINISH
JRG180CH	JRG580CH	Polished Chrome
JRG180SC	---	Satin Chrome (Matte)
JRG180BN	JRG580BN	Brushed Nickel
JRG180BR	---	Polished Brass
JRG180ORB	---	Oil Rubbed Bronze
JRG180GP	---	Gold Plated
JRG180WC	---	White/Polished Chrome Center Block and Screws

Minimum order: 1 each. All Frameless Shower Door Hinges can be combined for quantity pricing. Other finishes available on special order.
NOTE: All Shower Door Hinges are sold by the each, not in pairs. Be sure to order a minimum of two each hinges to install one door.

CRL HINGES FOR 1/4" TO 5/16" (6 TO 8 MM) GLASS

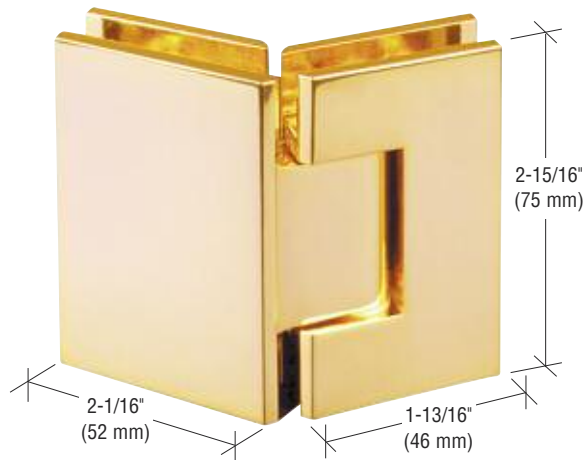
For Pricing Visit crlaurence.com or Call Us Toll Free at the Phone Numbers Shown on the Back Cover

CRL Junior Geneva Series Glass-to-Glass Hinges

CE
Certification
(See Page 107J)



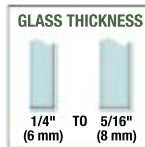
135 Degree Glass-to-Glass



Stocked in two models:

Standard
MODEL JRG045
Factory set for standard closing position

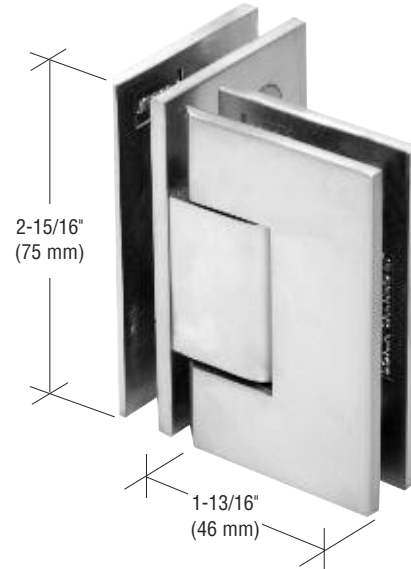
5 Degree Pre-Set
MODEL JRG545
Factory set for 5 degree tighter closure into shower interior



STANDARD 135 DEGREE GLASS-TO-GLASS CAT. NO.	5 DEGREE PRE-SET 135 DEGREE GLASS-TO-GLASS CAT. NO.	FINISH
JRG045CH	JRG545CH	Polished Chrome
JRG045SC	---	Satin Chrome (Matte)
JRG045BN	JRG545BN	Brushed Nickel
JRG045BR	---	Polished Brass
JRG045SB	---	Satin Brass
JRG045ORB	---	Oil Rubbed Bronze
JRG045GP	---	Gold Plated

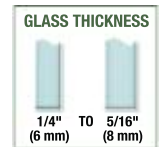
Minimum order: 1 each. All Frameless Shower Door Hinges can be combined for quantity pricing. Other finishes available on special order. **NOTE:** All Shower Door Hinges are sold by each, not in pairs. Be sure to order a minimum of two each hinges to install one door.

90 Degree Glass-to-Glass



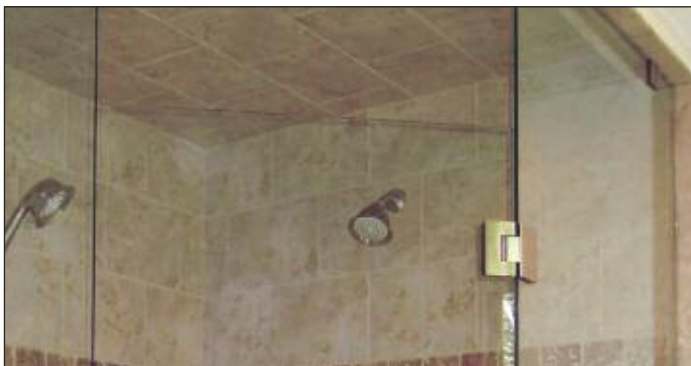
MODEL JRG092

Opens 90 degrees outwards and inwards



CAT. NO.	FINISH
JRG092CH	Polished Chrome
JRG092SC	Satin Chrome (Matte)
JRG092BN	Brushed Nickel
JRG092BR	Polished Brass

Minimum order: 1 each. All Frameless Shower Door Hinges can be combined for quantity pricing. Other finishes available on special order. **NOTE:** All Shower Door Hinges are sold by the each, not in pairs. Be sure to order a minimum of two each hinges to install one door.



C.R. LAURENCE COMPANY

crlaurence.com | usalum.com

196J | crlaurence.ca crlaurence.com.au crlaurence.co.uk crlaurence.de crlaurence.eu

CRL HINGES FOR 1/4" TO 5/16" (6 TO 8 MM) GLASS

For Pricing Visit crlaurence.com or Call Us Toll Free at the Phone Numbers Shown on the Back Cover

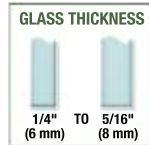
CRL Trianon Series Hinges



Certification
(See Page 107J)

- Sister Hinge to Our Popular Junior Geneva Series Contains the Same Internal Mechanism
- Radius Corners and Beveled Edges for a Modern Appeal
- Features Reversible Pivot Pin
- Two Wall Mount and Three Glass-to-Glass Models Offered

Trianon Hinges can be used to support 1/4" (6 mm) to 5/16" (8 mm) thick tempered safety glass in swinging door installations. They feature radiused corners and beveled edges in up to seven decorator finishes. Trianon Hinges are constructed of solid brass with a self-centering mechanism for door alignment when within 15 degrees of the center. They contain a Reversible Pivot Pin for optional 5 degree tighter door closure. Five distinct models include two wall mount styles, along with three Glass-to-Glass styles.



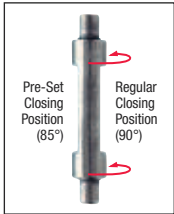
See the complete range of beautiful shower hardware finishes on page 114J

SPECIFICATIONS:

Glass Thickness Range: 1/4" (6 mm) to 5/16" (8 mm)
Tempered Safety Glass
Material: Solid Brass
Hinge Swings: 90 Degrees Inwards and Outwards
Closing Type: Self-Centering When Within 15 Degrees of Closed Position
Cut-Out Required
Includes: Gaskets, Phillips Screws, Allen Screws, and Glass Fabrication Dimensions

*MAXIMUM CAPACITIES	1/4" (6 MM) GLASS		5/16" (8 MM) GLASS	
	WEIGHT	DOOR WIDTH	WEIGHT	DOOR WIDTH
Using Two Hinges	62 lbs/28 kg	28"/711 mm	62 lbs/28 kg	28"/711 mm
Using Three Hinges	92 lbs/42 kg	32"/813 mm	92 lbs/42 kg	32"/813 mm

* NOTE: Do not exceed maximum door weight or width when choosing proper quantity of hinges.



STANDARD REVERSIBLE PIVOT PIN

Each Trianon Hinge contains a Reversible Pivot Pin. One side of the Pin is marked at 90 degrees. The opposite side of the Pin is marked 85 degrees. Standard Trianon Hinges come with the 90 degree side activated. The Pin can be rotated (not flipped upside down) to activate the other side.

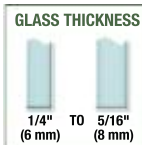
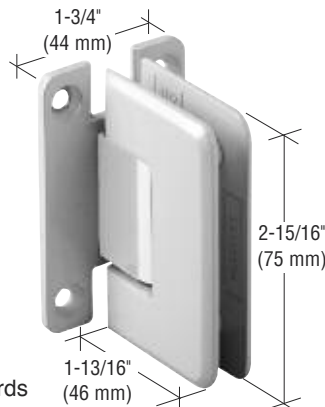


CUSTOM PIVOT PIN

Custom Pivot Pins are available to accommodate "off-angle" installations. As an example, you may encounter a wall that will not meet your door at 90 degrees. If the standard 5 degree Pivot Pin contained in the hinge does not assist in closing the door to the position desired, you may specify the angle needed for a Custom pivot Pin (up to 45 degrees).

Custom Pivot
CAT. NO.
JRGENP1N

Wall Mount Full Back Plate



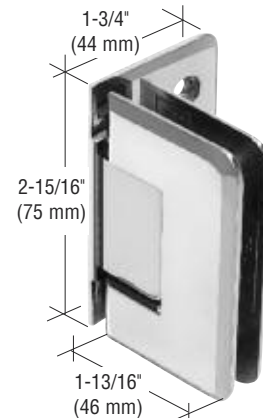
MODEL TR1037

Opens 90 degrees outwards and inwards

CAT. NO.	FINISH
TR1037CH	Polished Chrome
TR1037SC	Satin Chrome (Matte)
TR1037BN	Brushed Nickel
TR1037PN	Polished Nickel
TR1037BR	Polished Brass
TR1037GP	Gold Plated
TR1037WC	White/Polished Chrome Center Block and Screws

Minimum order: 1 each. All Frameless Shower Door Hinges can be combined for quantity pricing. Other finishes available on special order. NOTE: All Shower Door Hinges are sold by the each, not in pairs. Be sure to order a minimum of two each hinges to install one door.

Wall Mount Offset Back Plate



MODEL TR1044

Opens 90 degrees outwards and inwards

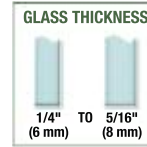
CAT. NO.	FINISH
TR1044CH	Polished Chrome
TR1044SC	Satin Chrome (Matte)
TR1044BN	Brushed Nickel
TR1044PN	Polished Nickel
TR1044BR	Polished Brass
TR1044GP	Gold Plated
TR1044WC	White/Polished Chrome Center Block and Screws

Minimum order: 1 each. All Frameless Shower Door Hinges can be combined for quantity pricing. Other finishes available on special order. NOTE: All Shower Door Hinges are sold by the each, not in pairs. Be sure to order a minimum of two each hinges to install one door.

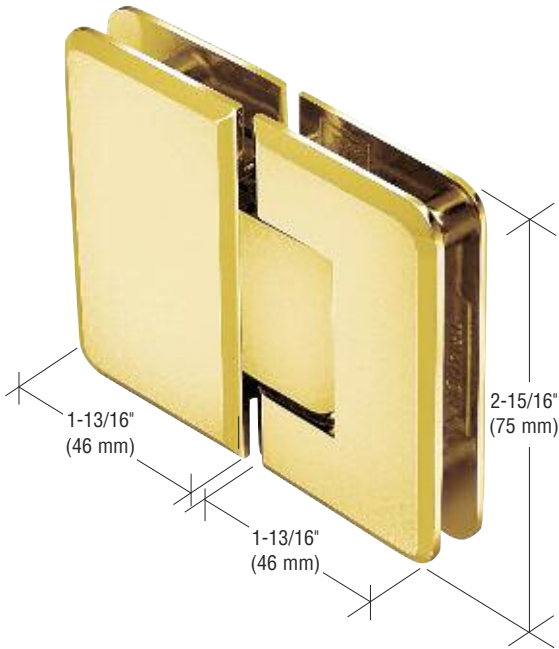
CRL HINGES FOR 1/4" TO 5/16" (6 TO 8 MM) GLASS

For Pricing Visit crlaurence.com or Call Us Toll Free at the Phone Numbers Shown on the Back Cover

CRL Trianon Series Glass-to-Glass Hinges



180 Degree Glass-to-Glass



MODEL TR1180
Opens 90 degrees
outwards and inwards



FINISHES:

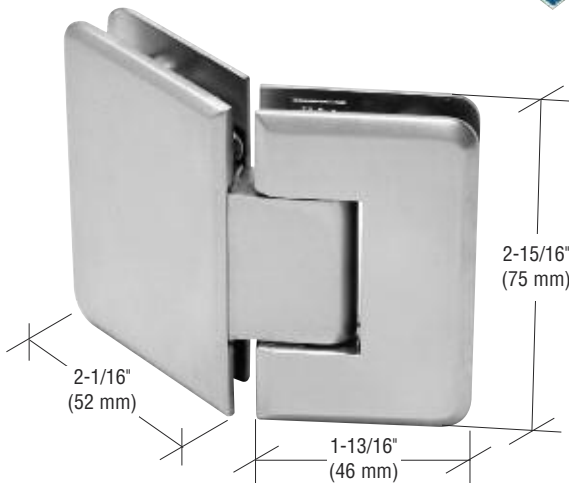


Most models are stocked in the finishes shown here, others are available on special order.

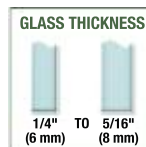
CAT. NO.	FINISH
TR1180CH	Polished Chrome
TR1180SC	Satin Chrome (Matte)
TR1180BN	Brushed Nickel
TR1180BR	Polished Brass
TR1180GP	Gold Plated
TR1180WC	White/Polished Chrome Center Block and Screws

Minimum order: 1 each. All Frameless Shower Door Hinges can be combined for quantity pricing. Other finishes available on special order. **NOTE:** All Shower Door Hinges are sold by the each, not in pairs. Be sure to order a minimum of two each hinges to install one door.

135 Degree Glass-to-Glass



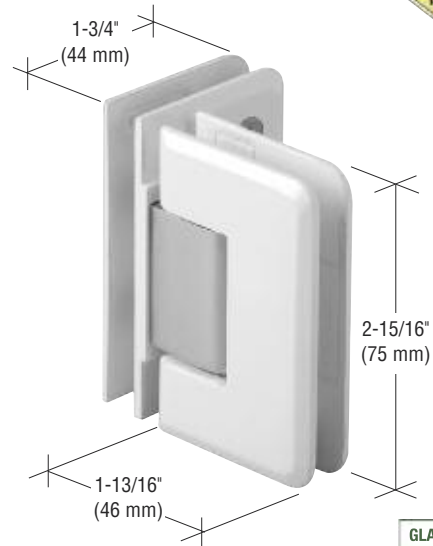
MODEL TR1045
Opens 90 degrees
outwards and inwards



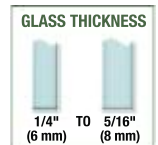
CAT. NO.	FINISH
TR1045CH	Polished Chrome
TR1045SC	Satin Chrome (Matte)
TR1045BR	Polished Brass

Minimum order: 1 each. All Frameless Shower Door Hinges can be combined for quantity pricing. Other finishes available on special order. **NOTE:** All Shower Door Hinges are sold by the each, not in pairs. Be sure to order a minimum of two each hinges to install one door.

90 Degree Glass-to-Glass



MODEL TR1092
Opens 90 degrees
outwards and inwards



CAT. NO.	FINISH
TR1092CH	Polished Chrome
TR1092SC	Satin Chrome (Matte)
TR1092BN	Brushed Nickel
TR1092BR	Polished Brass
TR1092GP	Gold Plated
TR1092WC	White/Polished Chrome Center Block and Screws

Minimum order: 1 each. All Frameless Shower Door Hinges can be combined for quantity pricing. Other finishes available on special order. **NOTE:** All Shower Door Hinges are sold by the each, not in pairs. Be sure to order a minimum of two each hinges to install one door.



C.R. LAURENCE COMPANY

crlaurence.com | usalum.com

198J | crlaurence.ca crlaurence.com.au crlaurence.co.uk crlaurence.de crlaurence.eu

CRL HINGES FOR 1/4" TO 5/16" (6 TO 8 MM) GLASS

For Pricing Visit crlaurence.com or Call Us Toll Free at the Phone Numbers Shown on the Back Cover

CRL Milano Series Hinges

- Internal Mechanism Allows Precise Closing Action
- Two Wall Mount and Three Glass-to-Glass Models Offered
- Subtle Corner Design of Hinges for Soft Appeal
- Multiple Finishes Stocked, With Custom Finishes Available



Traditionally designed Milano Series Hinges are constructed of solid brass for reliable and durable performance. The closing action of the Milano allows precise closing of the door to zero degrees. Two Wall Mount styles and Three Glass-to-Glass styles provide design flexibility. The Milano Series offers up to five elegant finishes from which to choose, and will accommodate from 1/4" (6 mm) to 5/16" (8 mm) thick tempered safety glass. The "soft corner design" of the hinge makes an attractive appearance.



GLASS THICKNESS

FINISHES:

Most models are stocked in the finishes shown here, others are available on special order.

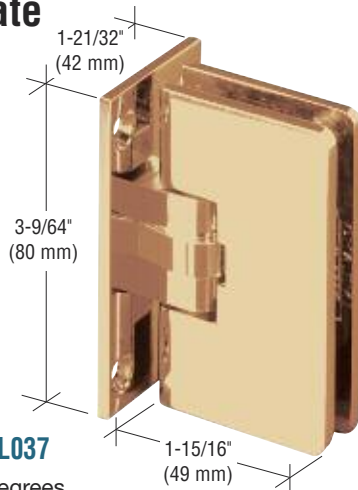
SPECIFICATIONS

- Glass Thickness Range:** 1/4" (6 mm) to 5/16" (8 mm)
- Tempered Safety Glass**
- Material:** Solid Brass
- Hinge Swings:** 90 Degrees Inwards and Outwards
- Closing Type:** Precise Close to 0 Degrees
- Cut-Out Required**
- Includes:** Gaskets, Phillips Screws, Allen Screws, and Glass Fabrication Dimensions

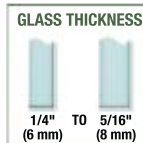
*MAXIMUM CAPACITIES	1/4" (6 MM) GLASS		5/16" (8 MM) GLASS	
	WEIGHT	DOOR WIDTH	WEIGHT	DOOR WIDTH
Using Two Hinges	62 lbs/28 kg	28"/711 mm	62 lbs/28 kg	28"/711 mm
Using Three Hinges	90 lbs/41 kg	32"/813 mm	90 lbs/41 kg	32"/813 mm

* NOTE: Do not exceed maximum door weight or width when choosing proper quantity of hinges.

Wall Mount Full Back Plate



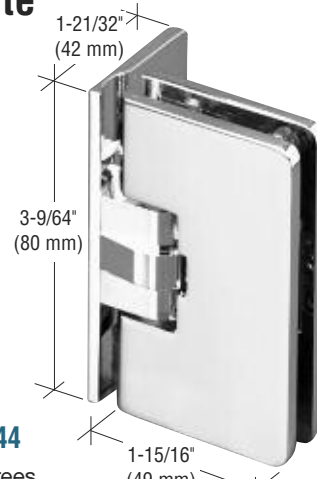
MODEL M1L037
Opens 90 degrees outwards and inwards



CAT. NO.	FINISH
M1L037CH	Polished Chrome
M1L037SC	Satin Chrome (Matte)
M1L037BR	Polished Brass
M1L037GP	Gold Plated
M1L037W	White/Polished Chrome Center Block and Screws

Minimum order: 1 each. All Frameless Shower Door Hinges can be combined for quantity pricing. Other finishes available on special order. **NOTE:** All Shower Door Hinges are sold by the each, not in pairs. Be sure to order a minimum of two each hinges to install one door.

Wall Mount Offset Back Plate



MODEL M1L044
Opens 90 degrees outwards and inwards



CAT. NO.	FINISH
M1L044CH	Polished Chrome
M1L044SC	Satin Chrome (Matte)
M1L044BR	Polished Brass
M1L044GP	Gold Plated
M1L044W	White/Polished Chrome Center Block and Screws

Minimum order: 1 each. All Frameless Shower Door Hinges can be combined for quantity pricing. Other finishes available on special order. **NOTE:** All Shower Door Hinges are sold by the each, not in pairs. Be sure to order a minimum of two each hinges to install one door.

CRL HINGES FOR 1/4" TO 5/16" (6 TO 8 MM) GLASS

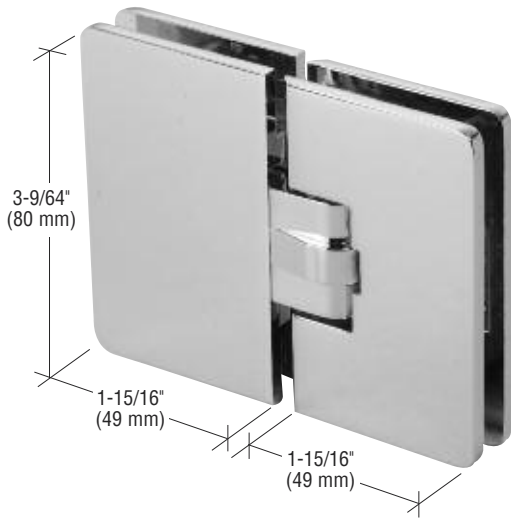
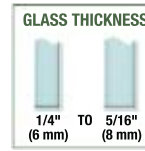
For Pricing Visit crlaurence.com or Call Us Toll Free at the Phone Numbers Shown on the Back Cover

CRL Milano Series Glass-to-Glass Hinges

180 Degree Glass-to-Glass



Certification
(See Page 107J)



MODEL M1L180
Opens 90 degrees
outwards and inwards

FINISHES:

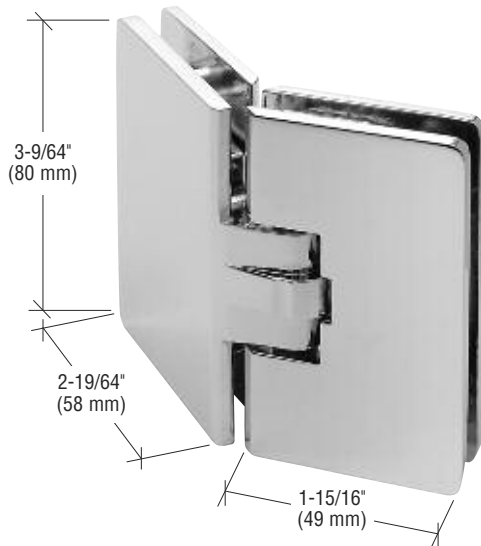


Most models are stocked in the finishes shown here, others are available on special order.

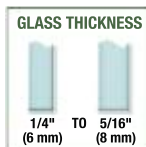
CAT. NO.	FINISH
M1L180CH	Polished Chrome
M1L180SC	Satin Chrome (Matte)
M1L180BR	Polished Brass
M1L180W	White/Polished Chrome Center Block and Screws

Minimum order: 1 each. All Frameless Shower Door Hinges can be combined for quantity pricing. Other finishes available on special order. **NOTE:** All Shower Door Hinges are sold by the each, not in pairs. Be sure to order a minimum of two each hinges to install one door.

135 Degree Glass-to-Glass



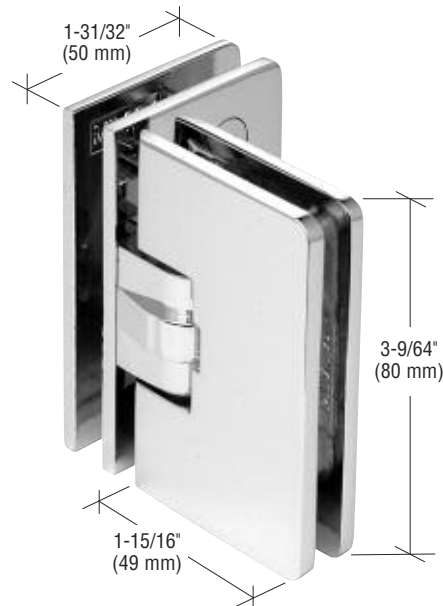
MODEL M1L045
Opens 90 degrees
outwards and inwards



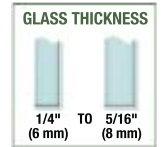
CAT. NO.	FINISH
M1L045CH	Polished Chrome
M1L045SC	Satin Chrome (Matte)
M1L045BR	Polished Brass

Minimum order: 1 each. All Frameless Shower Door Hinges can be combined for quantity pricing. Other finishes available on special order. **NOTE:** All Shower Door Hinges are sold by the each, not in pairs. Be sure to order a minimum of two each hinges to install one door.

90 Degree Glass-to-Glass



MODEL M1L090
Opens 90 degrees
outwards and inwards



CAT. NO.	FINISH
M1L090CH	Polished Chrome
M1L090SC	Satin Chrome (Matte)
M1L090BR	Polished Brass
M1L090W	White/Polished Chrome Center Block and Screws

Minimum order: 1 each. All Frameless Shower Door Hinges can be combined for quantity pricing. Other finishes available on special order. **NOTE:** All Shower Door Hinges are sold by the each, not in pairs. Be sure to order a minimum of two each hinges to install one door.



C.R. LAURENCE COMPANY

crlaurence.com | usalum.com

200J | crlaurence.ca crlaurence.com.au crlaurence.co.uk crlaurence.de crlaurence.eu

CRL Petite Series Wall Mount Hinges

- Four Wall Mount Styles and Five Glass-to-Glass Styles Allow Virtually Any Design
- Mitered Edges With Curved Corners for a Chiseled Appearance
- Thicker Hinge Plates Reduce Deflection and Provide Excellent Holding Power
- Many Popular Stock Finishes, With Custom Finishes Available



The Petite Series provides a complete spectrum of hinges for frameless shower doors using 1/4" (6 mm) to 5/16" (8 mm) tempered safety glass. Developed to allow virtually every application configuration, they deliver design freedom. The Petite Series includes three distinctive types: the PET044 Wall Mount Flush Back Plate Hinge allows for a clean exterior sight line by having all the mounting screws inside the shower; the PET045 Glass-to-Wall Hinge is used to mount a door to a Wall at 45 degrees inwards; or the PET054 Glass-to-Wall Hinge at 45 degrees outward.

3 YEAR WARRANTY

USE MONOLITHIC TEMPERED GLASS

GLASS THICKNESS

1/4" (6 mm) TO 5/16" (8 mm)

Brass

See the complete range of beautiful shower hardware finishes on page 114J

SPECIFICATIONS:

Glass Thickness Range: 1/4" (6 mm) to 5/16" (8 mm)
Tempered Safety Glass

Material: Solid Brass

Hinge Swings: 90 Degrees Inwards and Outwards

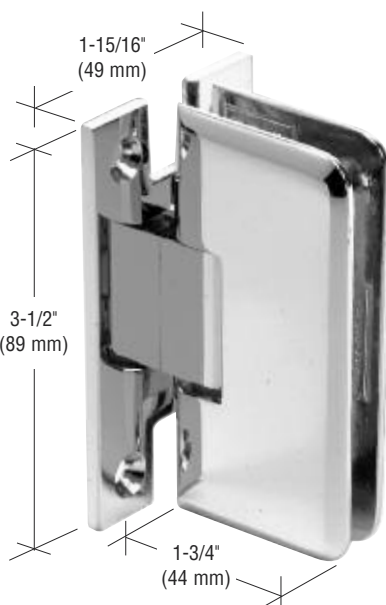
Closing Type: Precise Closing to 0 Degrees

Cut-Out Required, Except PET045, PET054, PET135, PET181, and PET182 Which Require Holes Only

Includes: Gaskets, Phillips Screws, Allen Screws, and Glass Fabrication Dimensions

*MAXIMUM CAPACITIES	1/4" (6 MM) GLASS		5/16" (8 MM) GLASS	
	WEIGHT	DOOR WIDTH	WEIGHT	DOOR WIDTH
Using Two Hinges	55 lbs/25 kg	31"/787 mm	55 lbs/25 kg	31"/787 mm
Using Three Hinges	82 lbs/37 kg	34"/864 mm	82 lbs/37 kg	34"/864 mm

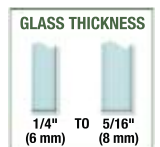
*NOTE: Do not exceed maximum door weight or width when choosing proper quantity of hinges.



Wall Mount Full Back Plate

MODEL PET037

Opens 90 degrees outwards and inwards



FINISHES:



Most models are stocked in the finishes shown here, others are available on special order.

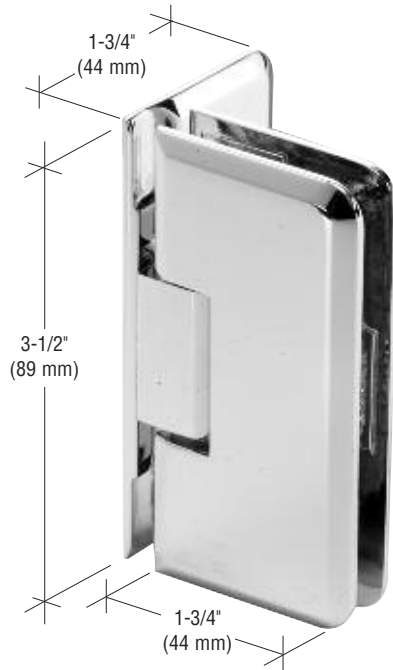
CAT. NO.	FINISH
PET037CH	Polished Chrome
PET037SC	Satin Chrome (Matte)
PET037BN	Brushed Nickel
PET037BR	Polished Brass
PET037ORB	Oil Rubbed Bronze
PET037GP	Gold Plated
PET037WC	White/Chrome Center Block and Screws

Minimum order: 1 each. All Frameless Shower Door Hinges can be combined for quantity pricing. Other finishes available on special order. NOTE: All Shower Door Hinges are sold by the each, not in pairs. Be sure to order a minimum of two each hinges to install one door.

CRL HINGES FOR 1/4" TO 5/16" (6 TO 8 MM) GLASS

For Pricing Visit crlaurence.com or Call Us Toll Free at the Phone Numbers Shown on the Back Cover

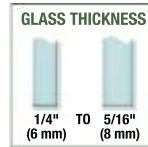
CRL Petite Series Wall Mount Hinges



Wall Mount Offset Back Plate

MODEL PET044

Opens 90 degrees outwards and inwards



FINISHES:



Most models are stocked in the finishes shown here, others are available on special order.

CAT. NO.	FINISH
PET044CH	Polished Chrome
PET044SC	Satin Chrome (Matte)
PET044BN	Brushed Nickel
PET044PN	Polished Nickel
PET044BR	Polished Brass
PET044ORB	Oil Rubbed Bronze
PET044GP	Gold Plated
PET044WC	White/Polished Chrome Center Block and Screws

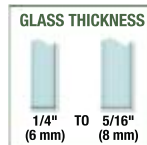
Minimum order: 1 each. All Frameless Shower Door Hinges can be combined for quantity pricing. Other finishes available on special order. **NOTE:** All Shower Door Hinges are sold by the each, not in pairs. Be sure to order a minimum of two each hinges to install one door.

Wall Mount 45 Degree Inside Plane

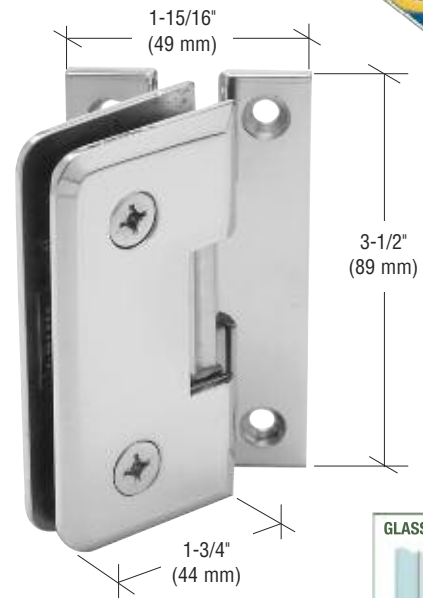


MODEL PET045

Mounts to wall running at a 45 degree inside plane

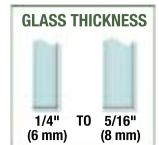


Wall Mount 45 Degree Outside Plane



MODEL PET054

Mounts to wall running at a 45 degree outside plane



CAT. NO.	FINISH
PET045CH	Polished Chrome
PET045SC	Satin Chrome (Matte)
PET045BR	Polished Brass
PET045GP	Gold Plated

Minimum order: 1 each. All Frameless Shower Door Hinges can be combined for quantity pricing. Other finishes available on special order. **NOTE:** All Shower Door Hinges are sold by the each, not in pairs. Be sure to order a minimum of two each hinges to install one door.

CAT. NO.	FINISH
PET054CH	Polished Chrome
PET054SC	Satin Chrome (Matte)
PET054BR	Polished Brass
PET054GP	Gold Plated
PET054WC	White/Polished Chrome Center Block and Screws

Minimum order: 1 each. All Frameless Shower Door Hinges can be combined for quantity pricing. Other finishes available on special order. **NOTE:** All Shower Door Hinges are sold by the each, not in pairs. Be sure to order a minimum of two each hinges to install one door.



C.R. LAURENCE COMPANY

crlaurence.com | usalum.com

202J | crlaurence.ca crlaurence.com.au crlaurence.co.uk crlaurence.de crlaurence.eu

CRL HINGES FOR 1/4" TO 5/16" (6 TO 8 MM) GLASS

For Pricing Visit crlaurence.com or Call Us Toll Free at the Phone Numbers Shown on the Back Cover

CRL Petite Series Glass-to-Glass Hinges

- Four Wall Mount Styles and Five Glass-to-Glass Styles Allow Virtually Any Design
- Mitered Edges With Curved Corners for a Chiseled Appearance
- Thicker Hinge Plates Reduce Deflection and Provide Excellent Holding Power
- Many Popular Stock Finishes, With Custom Finishes Available

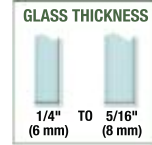
FINISHES:



Most models are stocked in the finishes shown here, others are available on special order.

*MAXIMUM CAPACITIES	1/4" (6 MM) GLASS		5/16" (8 MM) GLASS	
	WEIGHT	DOOR WIDTH	WEIGHT	DOOR WIDTH
Using Two Hinges	55 lbs/25 kg	31"/787 mm	55 lbs/25 kg	31"/787 mm
Using Three Hinges	82 lbs/37 kg	34"/864 mm	82 lbs/37 kg	34"/864 mm

* NOTE: Do not exceed maximum door weight or width when choosing proper quantity of hinges.



SPECIFICATIONS:

Glass Thickness Range: 1/4" (6 mm) to 5/16" (8 mm)
Tempered Safety Glass

Material: Solid Brass

Hinge Swings: 90 Degrees Inwards or Outwards Unless Otherwise Stated

Closing Type: Precise Closing to 0 Degrees

Cut-Out Required, Except PET045, PET054, PET135, PET181, and PET182 Which Require Holes Only

Includes: Gaskets, Phillips Screws, Allen Screws, and Glass Fabrication Dimensions

180 Degree Glass-to-Glass (Outswing)



MODEL PET181

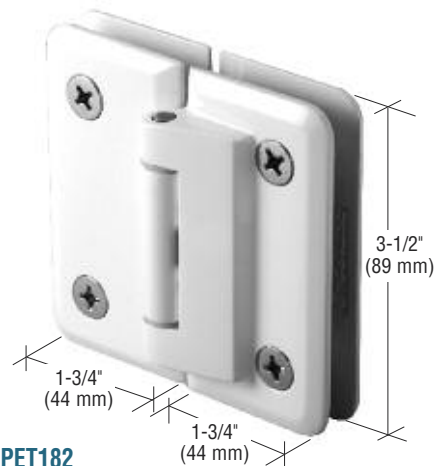
Opens 180 degrees outwards. Door Stop must be used. Requires holes only (no cut-out necessary).



CAT. NO.	FINISH
PET181CH	Polished Chrome
PET181SC	Satin Chrome (Matte)
PET181BN	Brushed Nickel
PET181PN	Polished Nickel
PET181BR	Polished Brass
PET181GP	Gold Plated
PET181WC	White/Polished Chrome Center Block and Screws

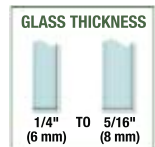
Minimum order: 1 each. All Frameless Shower Door Hinges can be combined for quantity pricing. Other finishes available on special order. **NOTE:** All Shower Door Hinges are sold by the each, not in pairs. Be sure to order a minimum of two each hinges to install one door.

180 Degree Glass-to-Glass (Inswing)



MODEL PET182

Opens 180 degrees inwards. Door Stop must be used. Requires holes only (no cut-out necessary).



CAT. NO.	FINISH
PET182CH	Polished Chrome
PET182SC	Satin Chrome (Matte)
PET182BN	Brushed Nickel
PET182BR	Polished Brass
PET182GP	Gold Plated
PET182WC	White/Polished Chrome Center Block and Screws

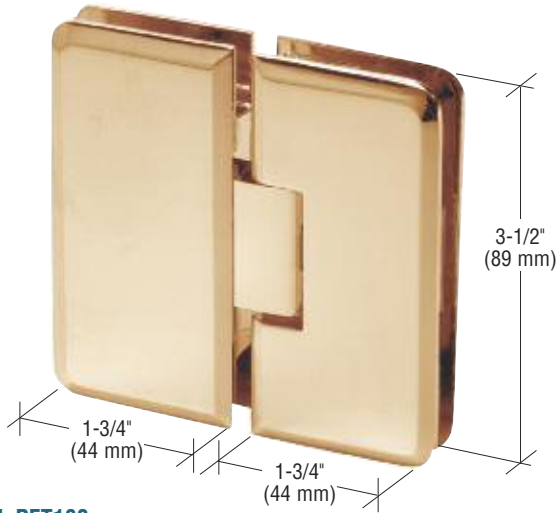
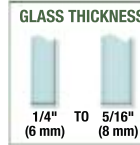
Minimum order: 1 each. All Frameless Shower Door Hinges can be combined for quantity pricing. Other finishes available on special order. **NOTE:** All Shower Door Hinges are sold by the each, not in pairs. Be sure to order a minimum of two each hinges to install one door.

CRL HINGES FOR 1/4" TO 5/16" (6 TO 8 MM) GLASS

For Pricing Visit crlaurence.com or Call Us Toll Free at the Phone Numbers Shown on the Back Cover

CRL Petite Series Glass-to-Glass Hinges

180 Degree Glass-to-Glass



MODEL PET180

Opens 90 degrees outwards and inwards

FINISHES:

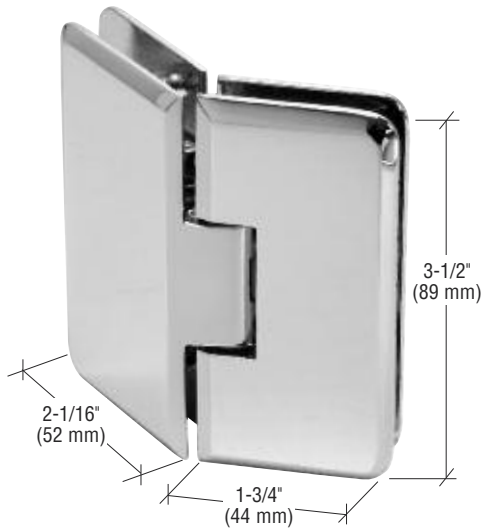


Most models are stocked in the finishes shown here, others are available on special order.

CAT. NO.	FINISH
PET180CH	Polished Chrome
PET180SC	Satin Chrome (Matte)
PET180BN	Brushed Nickel
PET180BR	Polished Brass
PET180GP	Gold Plated
PET180ORB	Oil Rubbed Bronze

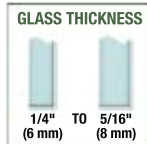
Minimum order: 1 each. All Frameless Shower Door Hinges can be combined for quantity pricing. Other finishes available on special order. **NOTE:** All Shower Door Hinges are sold by the each, not in pairs. Be sure to order a minimum of two each hinges to install one door.

135 Degree Glass-to-Glass



MODEL PET135

Opens 90 degrees outwards and 45 degrees inwards



CAT. NO.	FINISH
PET135CH	Polished Chrome
PET135SC	Satin Chrome (Matte)
PET135BR	Polished Brass
PET135GP	Gold Plated
PET135ORB	Oil Rubbed Bronze

Minimum order: 1 each. All Frameless Shower Door Hinges can be combined for quantity pricing. Other finishes available on special order. **NOTE:** All Shower Door Hinges are sold by the each, not in pairs. Be sure to order a minimum of two each hinges to install one door.

90 Degree Glass-to-Glass



MODEL PET090

Opens 90 degrees outwards and inwards



CAT. NO.	FINISH
PET090CH	Polished Chrome
PET090SC	Satin Chrome (Matte)
PET090BR	Polished Brass
PET090GP	Gold Plated
PET090WC	White/Polished Chrome Center Block and Screws

Minimum order: 1 each. All Frameless Shower Door Hinges can be combined for quantity pricing. Other finishes available on special order. **NOTE:** All Shower Door Hinges are sold by the each, not in pairs. Be sure to order a minimum of two each hinges to install one door.



C.R. LAURENCE COMPANY

crlaurence.com | usalum.com

204J | crlaurence.ca crlaurence.com.au crlaurence.co.uk crlaurence.de crlaurence.eu

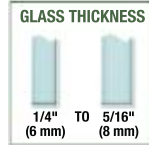
CRL HINGES FOR 1/4" TO 5/16" (6 TO 8 MM) GLASS

For Pricing Visit crlaurence.com or Call Us Toll Free at the Phone Numbers Shown on the Back Cover

CRL Monaco Series Wall Mount Hinges

- Aesthetically Pleasing Beveled Edges and Corners
- Thicker Hinge Plates Reduce Deflection and Provide Excellent Holding Power
- A Large Assortment of Wall Mount and Glass-to-Glass Models
- Several Popular Stock Finishes, With Custom Finishes Available

The Monaco Series introduces richness and character to the choice of frameless shower door hinges using 1/4" (6 mm) to 5/16" (8 mm) tempered safety glass. Available in five Wall Mount and six Glass-to-Glass styles, Monaco Hinges present numerous design and configuration options. Aesthetically pleasing beveled edges and corners give Monaco Hinges the look many architects and designers desire. Two distinct models stand out in the Monaco series: the MON044 model is an Offset Back Plate Wall Mount Hinge that provides a clean exterior sight line because the mounting plate is visible only from the inside of the shower. The MON244 has also an Offset Back Plate but only needs two holes in the glass instead of a cut-out.



FINISHES:



Most models are stocked in the finishes shown here, others are available on special order.



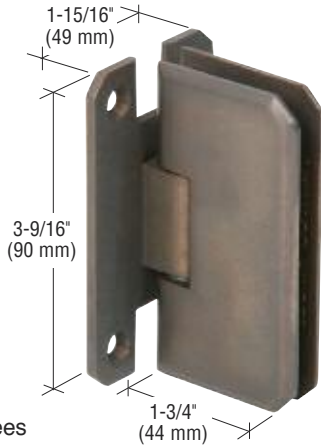
SPECIFICATIONS:

- Glass Thickness Range:** 1/4" (6 mm) to 5/16" (8 mm)
- Tempered Safety Glass**
- Material:** Solid Brass
- Hinge Swings:** 90 Degrees Inwards and Outwards. Unless otherwise stated.
- Closing Type:** Precise Close to 0 Degrees
- Cut-Out Required,** Except MON045, MON054, MON135, MON181, MON182, MON183, AND MON244, Which Require Holes Only
- Includes:** Gaskets, Phillips Screws, Allen Screws, and Glass Fabrication Dimensions

*MAXIMUM CAPACITIES	1/4" (6 MM) GLASS		5/16" (8 MM) GLASS	
	WEIGHT	DOOR WIDTH	WEIGHT	DOOR WIDTH
Using Two Hinges	55 lbs/25 kg	31"/787 mm	55 lbs/25 kg	31"/787 mm
Using Three Hinges	82 lbs/37 kg	34"/864 mm	82 lbs/37 kg	34"/864 mm

* NOTE: Do not exceed maximum door weight or width when choosing proper quantity of hinges.

Wall Mount Full Back Plate



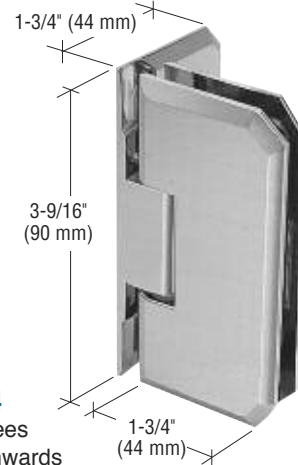
MODEL MON037
Opens 90 degrees outwards and inwards



CAT. NO.	FINISH
MON037CH	Polished Chrome
MON037SC	Satin Chrome (Matte)
MON037BN	Brushed Nickel
MON037BR	Polished Brass
MON037ORB	Oil Rubbed Bronze
MON037WC	White/Polished Chrome Center Block and Screws

Minimum order: 1 each. All Frameless Shower Door Hinges can be combined for quantity pricing. Other finishes available on special order. NOTE: All Shower Door Hinges are sold by the each, not in pairs. Be sure to order a minimum of two each hinges to install one door.

Wall Mount Offset Back Plate



MODEL MON044
Opens 90 degrees outwards and inwards



CAT. NO.	FINISH
MON044CH	Polished Chrome
MON044SC	Satin Chrome (Matte)
MON044BN	Brushed Nickel
MON044PN	Polished Nickel
MON044BR	Polished Brass
MON044GP	Gold Plated
MON044WC	White/Polished Chrome Center Block and Screws

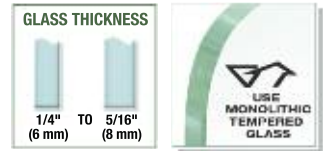
Minimum order: 1 each. All Frameless Shower Door Hinges can be combined for quantity pricing. Other finishes available on special order. NOTE: All Shower Door Hinges are sold by the each, not in pairs. Be sure to order a minimum of two each hinges to install one door.

CRL HINGES FOR 1/4" TO 5/16" (6 TO 8 MM) GLASS

For Pricing Visit crlaurence.com or Call Us Toll Free at the Phone Numbers Shown on the Back Cover

CRL Monaco Series Wall Mount Hinges

Wall Mount Offset Back Plate Door



MODEL MON244

Only swings 90 degrees outwards. Door Stop must be used. Requires holes only (no cut-out required).



FINISHES:



Most models are stocked in the finishes shown here, others are available on special order.

CAT. NO.	FINISH
MON244CH	Polished Chrome
MON244SC	Satin Chrome (Matte)
MON244BN	Brushed Nickel
MON244BR	Polished Brass

Minimum order: 1 each. All Frameless Shower Door Hinges can be combined for quantity pricing. Other finishes available on special order. **NOTE:** All Shower Door Hinges are sold by the each, not in pairs. Be sure to order a minimum of two each hinges to install one door.

Wall Mount 45 Degree Inside Plane



MODEL MON045

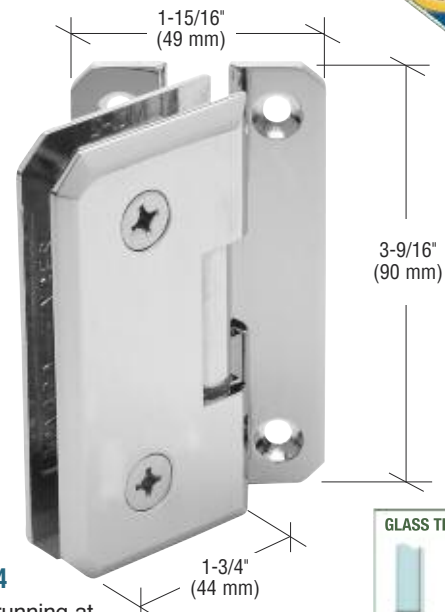
Mounts to wall running at a 45 degree inside plane



CAT. NO.	FINISH
MON045CH	Polished Chrome
MON045SC	Satin Chrome (Matte)
MON045BR	Polished Brass
MON045GP	Gold Plated

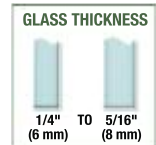
Minimum order: 1 each. All Frameless Shower Door Hinges can be combined for quantity pricing. Other finishes available on special order. **NOTE:** All Shower Door Hinges are sold by the each, not in pairs. Be sure to order a minimum of two each hinges to install one door.

Wall Mount 45 Degree Outside Plane



MODEL MON054

Mounts to wall running at a 45 degree outside plane



CAT. NO.	FINISH
MON054CH	Polished Chrome
MON054SC	Satin Chrome (Matte)
MON054BR	Polished Brass
MON054GP	Gold Plated
MON054WC	White/Polished Chrome Center Block and Screws

Minimum order: 1 each. All Frameless Shower Door Hinges can be combined for quantity pricing. Other finishes available on special order. **NOTE:** All Shower Door Hinges are sold by the each, not in pairs. Be sure to order a minimum of two each hinges to install one door.



C.R. LAURENCE COMPANY

crlaurence.com | usalum.com

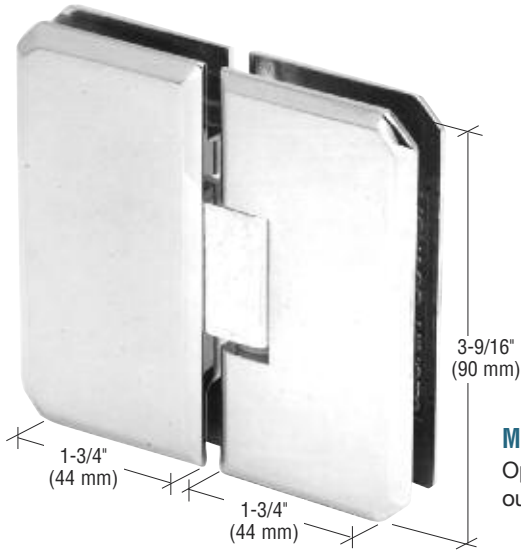
206J | crlaurence.ca crlaurence.com.au crlaurence.co.uk crlaurence.de crlaurence.eu

CRL HINGES FOR 1/4" TO 5/16" (6 TO 8 MM) GLASS

For Pricing Visit crlaurence.com or Call Us Toll Free at the Phone Numbers Shown on the Back Cover

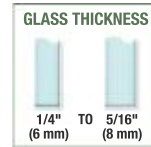
CRL Monaco Series Glass-to-Glass Hinges

180 Degree Glass-to-Glass



MODEL MON180
Opens 90 degrees outwards and inwards

CE
Certification
(See Page 107J)



FINISHES:

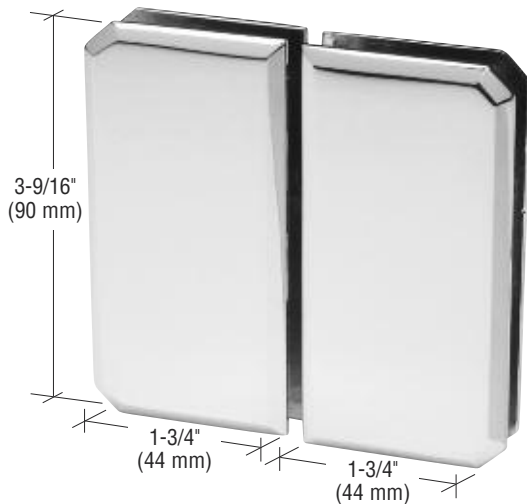


Most models are stocked in the finishes shown here, others are available on special order.

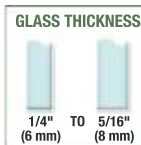
CAT. NO.	FINISH
MON180CH	Polished Chrome
MON180SC	Satin Chrome (Matte)
MON180BN	Brushed Nickel
MON180ABN	Antique Brushed Nickel
MON180BR	Polished Brass
MON180GP	Gold Plated
MON180WC	White/Polished Chrome Center Block and Screws

Minimum order: 1 each. All Frameless Shower Door Hinges can be combined for quantity pricing. Other finishes available on special order. **NOTE:** All Shower Door Hinges are sold by the each, not in pairs. Be sure to order a minimum of two each hinges to install one door.

180 Degree Glass-to-Glass (Inswing)



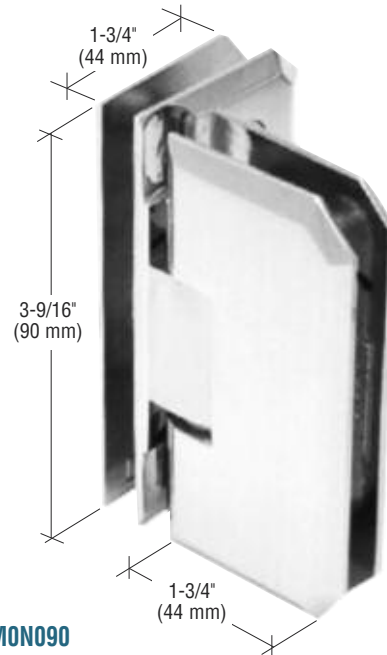
MODEL MON182
Opens 180 degrees inwards.
Door Stop must be used.
Requires holes only
(no cut-out required).



CAT. NO.	FINISH
MON182CH	Polished Chrome
MON182SC	Satin Chrome (Matte)
MON182BR	Polished Brass
MON182GP	Gold Plated
MON182W	All White
MON182WC	White/Polished Chrome Center Block and Screws

Minimum order: 1 each. All Frameless Shower Door Hinges can be combined for quantity pricing. Other finishes available on special order. **NOTE:** All Shower Door Hinges are sold by the each, not in pairs. Be sure to order a minimum of two each hinges to install one door.

90 Degree Glass-to-Glass



MODEL MON090
Opens 90 degrees outwards and inwards



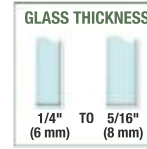
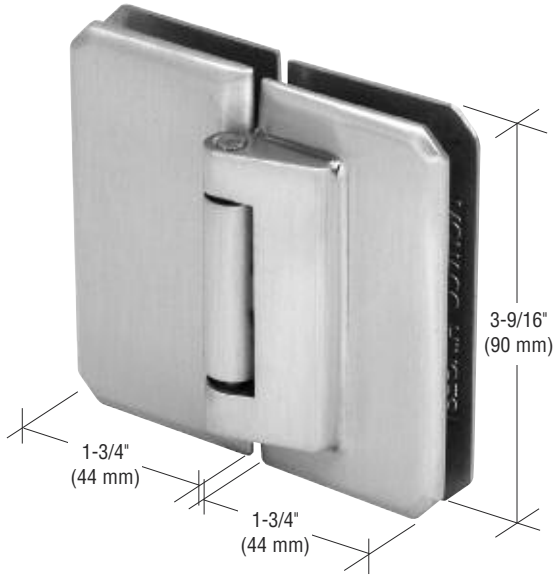
CAT. NO.	FINISH
MON090CH	Polished Chrome
MON090SC	Satin Chrome (Matte)
MON090BN	Brushed Nickel
MON090BR	Polished Brass
MON090GP	Gold Plated
MON090WC	White/Polished Chrome Center Block and Screws

Minimum order: 1 each. All Frameless Shower Door Hinges can be combined for quantity pricing. Other finishes available on special order. **NOTE:** All Shower Door Hinges are sold by the each, not in pairs. Be sure to order a minimum of two each hinges to install one door.

CRL HINGES FOR 1/4" TO 5/16" (6 TO 8 MM) GLASS

For Pricing Visit crlaurence.com or Call Us Toll Free at the Phone Numbers Shown on the Back Cover

CRL Monaco Series Glass-to-Glass Hinges 180 Degree Glass-to-Glass (Outswing)



MODEL MON181

Opens 180 degrees outwards. Door Stop must be used. Requires holes only (no cut-out required).

FINISHES:



Most models are stocked in the finishes shown here, others are available on special order.

CAT. NO.	FINISH
MON181CH	Polished Chrome
MON181SC	Satin Chrome (Matte)
MON181BN	Brushed Nickel
MON181GP	Gold Plated
MON181WC	White/Polished Chrome Center Block and Screws

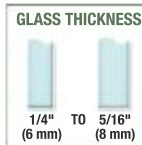
Minimum order: 1 each. All Frameless Shower Door Hinges can be combined for quantity pricing. Other finishes available on special order. **NOTE:** All Shower Door Hinges are sold by the each, not in pairs. Be sure to order a minimum of two each hinges to install one door.

180 to 135 Degree Glass-to-Glass Adjustable



MODEL MON183

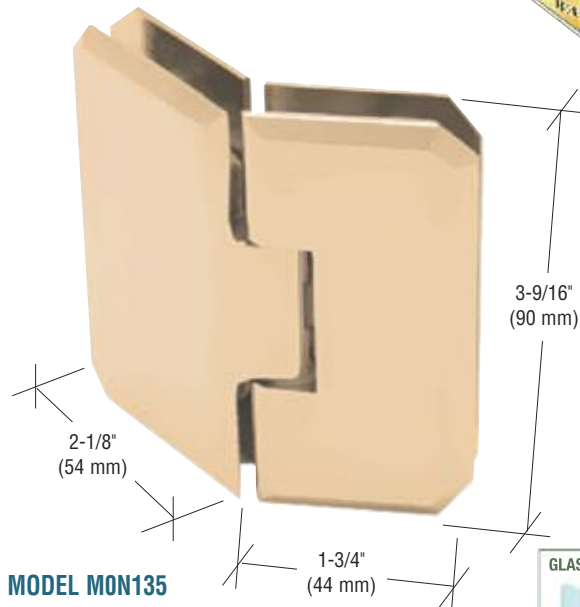
Opens 180 degrees outwards. Door Stop must be used. Requires holes only (no cut-out required).



CAT. NO.	FINISH
MON183CH	Polished Chrome
MON183SC	Satin Chrome (Matte)
MON183BN	Brushed Nickel
MON183PN	Polished Nickel

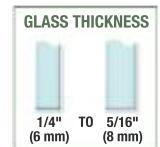
Minimum order: 1 each. All Frameless Shower Door Hinges can be combined for quantity pricing. Other finishes available on special order. **NOTE:** All Shower Door Hinges are sold by the each, not in pairs. Be sure to order a minimum of two each hinges to install one door.

135 Degree Glass-to-Glass



MODEL MON135

Opens 90 degrees outwards and 45 degrees inwards



CAT. NO.	FINISH
MON135CH	Polished Chrome
MON135SC	Satin Chrome (Matte)
MON135BN	Brushed Nickel
MON135BR	Polished Brass
MON135UBR	Ultra Brass
MON135GP	Gold Plated
MON135WC	White/Polished Chrome Center Block and Screws

Minimum order: 1 each. All Frameless Shower Door Hinges can be combined for quantity pricing. Other finishes available on special order. **NOTE:** All Shower Door Hinges are sold by the each, not in pairs. Be sure to order a minimum of two each hinges to install one door.



C.R. LAURENCE COMPANY

crlaurence.com | usalum.com

208J | crlaurence.ca crlaurence.com.au crlaurence.co.uk crlaurence.de crlaurence.eu

CRL Junior Cathedral Series Hinges

- Eye-Catching Two-Tone Design Makes This an Ideal Hinge for Matching Multiple Décor
- Contains Same Internal Mechanism as our Popular Junior Geneva Series Hinges
- Reversible Pivot Pin Standard in Each Model
- Five Finish Accents to Choose From



The Junior Cathedral Series Hinge blends a unique two-tone design with the same internal mechanism as our Junior Geneva Hinge. The Junior Cathedral has a positive hold on the glass, utilizing a cut-out plus a hole to prevent door slippage. Constructed of solid brass, they come in one Wall Mount and three Glass-to-Glass styles. Junior Cathedral Hinges are made to fit 1/4" (6 mm) to 5/16" (8 mm) tempered safety glass, and will swing 90 degrees in and out. They contain a reversible Pivot Pin for optional 5 degree tighter door closure. The self-centering Junior Cathedral is available in up to five finish blends.

3 YEAR WARRANTY

USE MONOLITHIC TEMPERED GLASS

GLASS THICKNESS
1/4" TO 5/16"
(6 mm) (8 mm)

See the complete range of beautiful shower hardware finishes on page 114J
Brass

*MAXIMUM CAPACITIES	1/4" (6 MM) GLASS		5/16" (8 MM) GLASS	
	WEIGHT	DOOR WIDTH	WEIGHT	DOOR WIDTH
Using Two Hinges	62 lbs/28 kg	28"/711 mm	62 lbs/28 kg	28"/711 mm
Using Three Hinges	92 lbs/42 kg	32"/813 mm	92 lbs/42 kg	32"/813 mm

* NOTE: Do not exceed maximum door weight or width when choosing proper quantity of hinges.

SPECIFICATIONS

Glass Thickness Range: 1/4" (6 mm) to 5/16" (8 mm)

Tempered Safety Glass

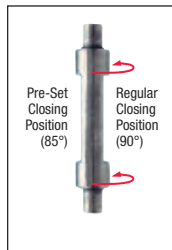
Material: Solid Brass

Hinge Swings: 90 Degrees Inwards and Outwards

Closing Type: Self-Centering When Within 15 Degrees of Closed Position

Cut-Out and Hole Required

Includes: Gaskets, Phillips Screws, Allen Screws, and Glass Fabrication Dimensions



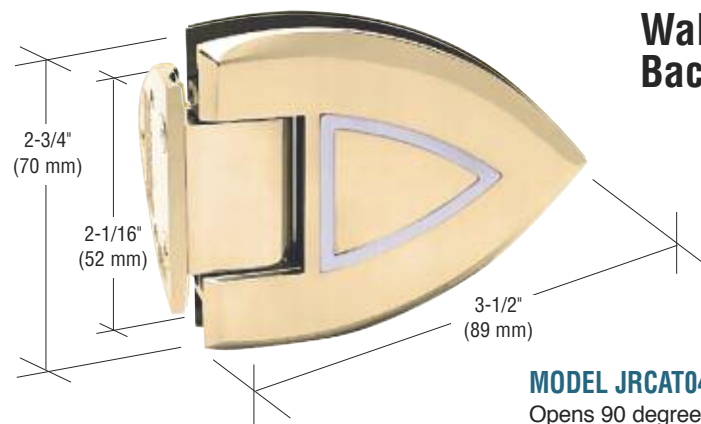
STANDARD REVERSIBLE PIVOT PIN

Each Junior Cathedral Hinge contains a Reversible Pivot Pin. One side of the Pin is marked at 90 degrees. The opposite side of the Pin is marked 85 degrees. The Pin can be rotated (not flipped upside down) to activate the other side.



CUSTOM PIVOT PIN

Custom Pivot Pins are available to accommodate "off-angle" installations. As an example, you may encounter a wall that will not meet your door at 90 degrees. If the standard 5 degree Pivot Pin contained in the hinge does not assist in closing the door to the position desired, you may specify the angle needed for a Custom pivot Pin (up to 45 degrees).



Wall Mount Offset Back Plate

MODEL JRCAT044

Opens 90 degrees outwards and inwards



CAT. NO.

JRCAT044CH
JRCAT044SC
JRCAT044BR
JRCAT044GP
JRCAT044WC

FINISH/ACCENT

Polished Chrome/Gold Plated
Satin Chrome (Matte)/Polished Chrome
Polished Brass/Polished Chrome
Gold Plated/Polished Chrome
White/Polished Chrome

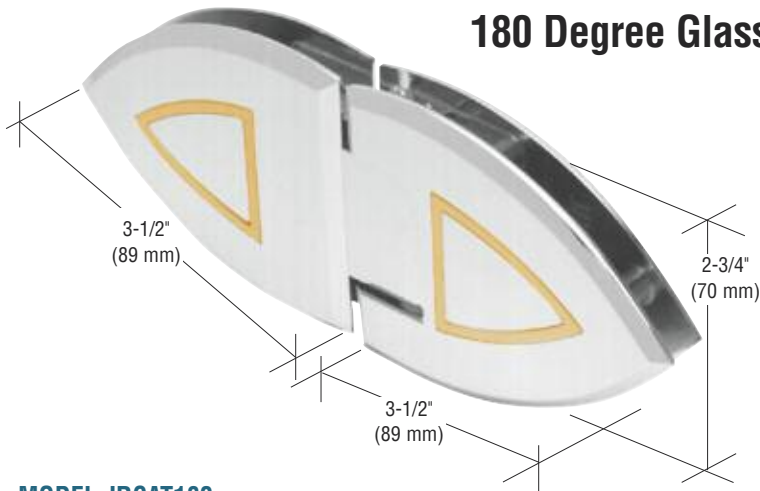
Minimum order: 1 each. All Frameless Shower Door Hinges can be combined for quantity pricing. Other finishes available on special order. **NOTE:** All Shower Door Hinges are sold by each, not in pairs. Be sure to order a minimum of two each hinges to install one door.

CRL HINGES FOR 1/4" TO 5/16" (6 TO 8 MM) GLASS

For Pricing Visit crlaurence.com or Call Us Toll Free at the Phone Numbers Shown on the Back Cover

CRL Junior Cathedral Series Hinges

180 Degree Glass-to-Glass



MODEL JRCAT180

Opens 90 degrees outwards and inwards

CAT. NO.

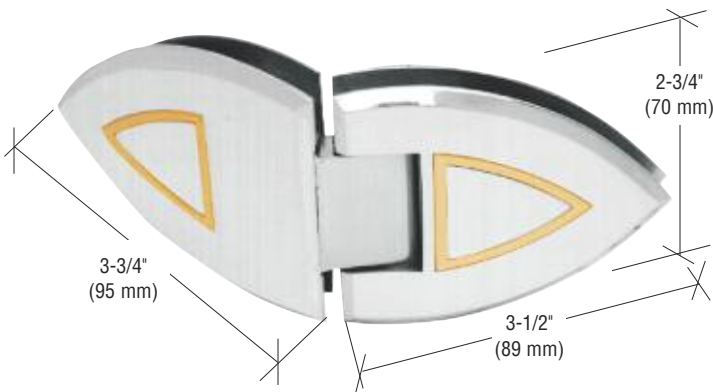
JRCAT180CH
JRCAT180BR
JRCAT180GP

FINISH/ACCENT

Polished Chrome/Gold Plated
Polished Brass/Polished Chrome
Gold Plated/Polished Chrome

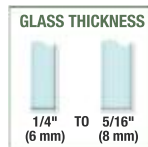
Minimum order: 1 each. All Frameless Shower Door Hinges can be combined for quantity pricing. Other finishes available on special order. **NOTE:** All Shower Door Hinges are sold by each, not in pairs. Be sure to order a minimum of two each hinges to install one door.

135 Degree Glass-to-Glass



MODEL JRCAT045

Opens 90 degrees outwards and inwards



CAT. NO.

JRCAT045CH
JRCAT045SC
JRCAT045BR

FINISH/ACCENT

Polished Chrome/Gold Plated
Satin Chrome (Matte)/Polished Chrome
Polished Brass/Polished Chrome

Minimum order: 1 each. All Frameless Shower Door Hinges can be combined for quantity pricing. Other finishes available on special order. **NOTE:** All Shower Door Hinges are sold by each, not in pairs. Be sure to order a minimum of two each hinges to install one door.

90 Degree Glass-to-Glass



MODEL JRCAT090

Opens 90 degrees outwards and inwards



CAT. NO.

JRCAT090CH
JRCAT090SC
JRCAT090BR
JRCAT090GP

FINISH/ACCENT

Polished Chrome/Gold Plated
Satin Chrome (Matte)/Polished Chrome
Polished Brass/Polished Chrome
Gold Plated/Polished Chrome

Minimum order: 1 each. All Frameless Shower Door Hinges can be combined for quantity pricing. Other finishes available on special order. **NOTE:** All Shower Door Hinges are sold by each, not in pairs. Be sure to order a minimum of two each hinges to install one door.



C.R. LAURENCE COMPANY

crlaurence.com | usalum.com

210J | crlaurence.ca crlaurence.com.au crlaurence.co.uk crlaurence.de crlaurence.eu

CRL Berlin Series Hinges



- **Rounded Shape of Hinge Makes it an Ideal Choice for Softer Decors**
- **Features Wall Mount Hinge With Offset Back Plate**
- **Contains Reversible Pivot Pin**
- **Many Popular Stock Finishes, With Custom Finishes Available**

The Berlin Series of Hinges combines elegant design with superb quality. This family of hinges features a Wall Mount Hinge with Offset Back Plate, which leaves the mounting plate visible only from inside the shower. Three Glass-to-Glass models round out the selection. Choose from a number of beautiful finishes to accentuate the décor of most bathrooms. Berlin Hinges are constructed of solid brass, and will provide a new inspiration combined with classic past. They contain a Reversible Pivot Pin for optional 5 degree tighter door closure.



GLASS THICKNESS

See the complete range of beautiful shower hardware finishes on page 114J

*MAXIMUM CAPACITIES	1/4" (6 MM) GLASS		5/16" (8 MM) GLASS	
	WEIGHT	DOOR WIDTH	WEIGHT	DOOR WIDTH
Using Two Hinges	60 lbs/27 kg	28"/711 mm	60 lbs/27 kg	28"/711 mm
Using Three Hinges	90 lbs/41 kg	32"/813 mm	90 lbs/41 kg	32"/813 mm

* NOTE: Do not exceed maximum door weight or width when choosing proper quantity of hinges.

SPECIFICATIONS

Glass Thickness Range: 1/4" (6 mm) to 5/16" (8 mm)
Tempered Safety Glass

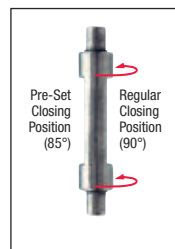
Material: Solid Brass

Hinge Swings: 90 Degrees Inwards and Outwards

Closing Type: Self-Centering When Within 15 Degrees of Closed Position

Cut-Out and Hole Required

Includes: Gaskets, Phillips Screws, Allen Screws, and Glass Fabrication Dimensions



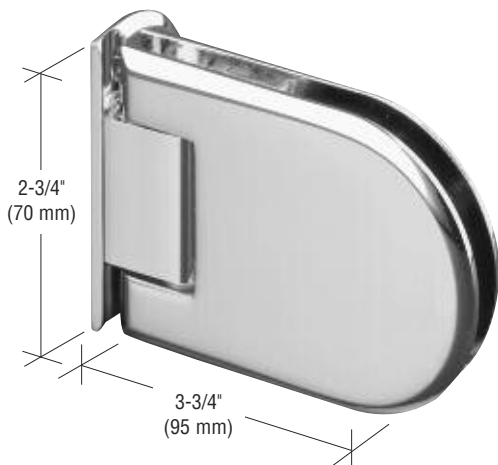
STANDARD REVERSIBLE PIVOT PIN

Each Berlin Hinge contains a Reversible Pivot Pin. One side of the Pin is marked at 90 degrees. The opposite side of the Pin is marked 85 degrees. Berlin Hinges come with the 90 degree side activated. The Pin can be rotated (not flipped upside down) to activate the other side.



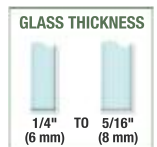
CUSTOM PIVOT PIN

Custom Pivot Pins are available to accommodate "off-angle" installations. As an example, you may encounter a wall that will not meet your door at 90 degrees. If the standard 5 degree Pivot Pin contained in the hinge does not assist in closing the door to the position desired, you may specify the angle needed for a Custom pivot Pin (up to 45 degrees).



Wall Mount Offset Back Plate

MODEL BER044
Opens 90 degrees outwards and inwards



CAT. NO.	FINISH
BER044CH	Polished Chrome
BER044SC	Satin Chrome (Matte)
BER044BN	Brushed Nickel
BER044BR	Polished Brass
BER044ABR	Antique Brass
BER044ORB	Oil Rubbed Bronze
BER044W	White/Polished Chrome Center Block and Screws

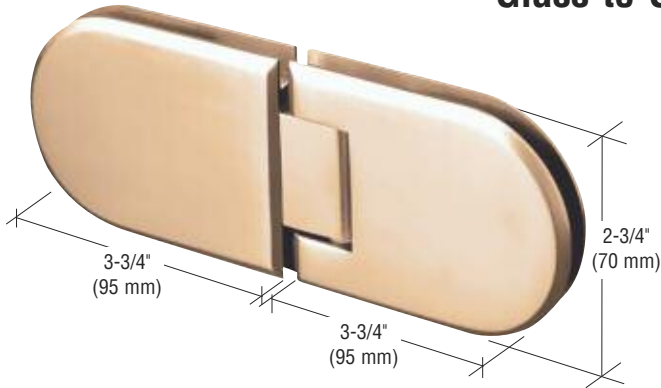
Minimum order: 1 each. All Frameless Shower Door Hinges can be combined for quantity pricing. Other finishes available on special order. **NOTE:** All Shower Door Hinges are sold by the each, not in pairs. Be sure to order a minimum of two each hinges to install one door.

CRL HINGES FOR 1/4" TO 5/16" (6 TO 8 MM) GLASS

For Pricing Visit crlaurence.com or Call Us Toll Free at the Phone Numbers Shown on the Back Cover

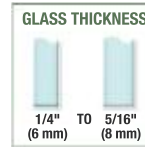
CRL Berlin Series Hinges

180 Degree Glass-to-Glass Model



MODEL BER180

Opens 90 degrees outwards and inwards



FINISHES:

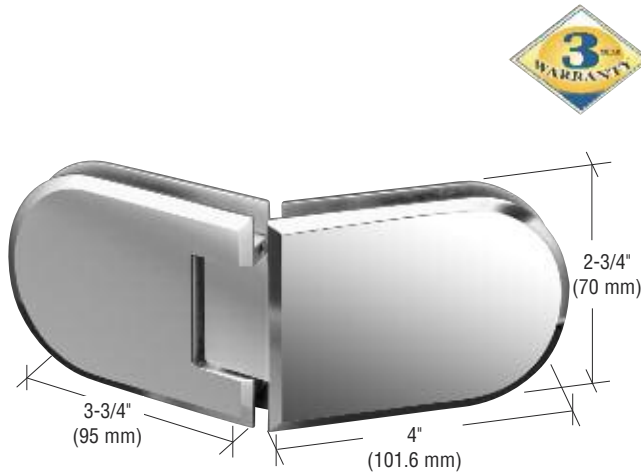


Most models are stocked in the finishes shown here, others are available on special order.

CAT. NO.	FINISH
BER180CH	Polished Chrome
BER180SC	Satin Chrome (Matte)
BER180BN	Brushed Nickel
BER180GP	Gold Plated

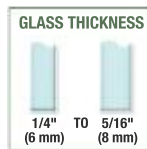
Minimum order: 1 each. All Frameless Shower Door Hinges can be combined for quantity pricing. Other finishes available on special order. **NOTE:** All Shower Door Hinges are sold by the each, not in pairs. Be sure to order a minimum of two each hinges to install one door.

135 Degree Glass-to-Glass Model



CAT. NO. BER135

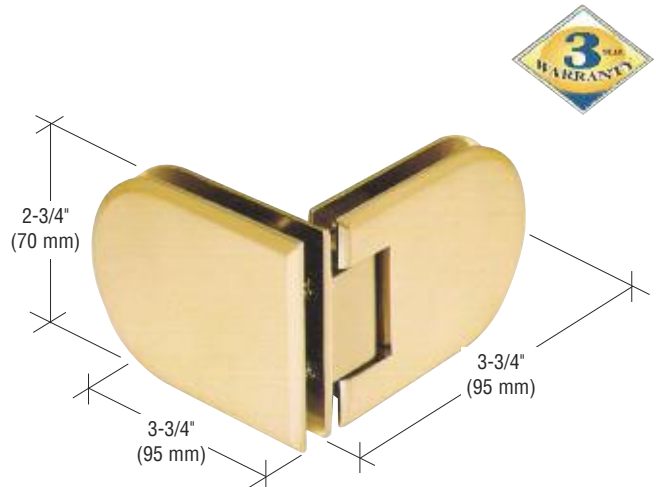
Opens 90 degrees outwards and inwards



CAT. NO.	FINISH
BER135CH	Polished Chrome
BER135BN	Brushed Nickel

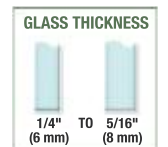
Minimum order: 1 each. All Frameless Shower Door Hinges can be combined for quantity pricing. Other finishes available on special order. **NOTE:** All Shower Door Hinges are sold by the each, not in pairs. Be sure to order a minimum of two each hinges to install one door.

90 Degree Glass-to-Glass Model



CAT. NO. BER090

Opens 90 degrees outwards and inwards



CAT. NO.	FINISH
BER090CH	Polished Chrome
BER090SC	Satin Chrome (Matte)
BER090BN	Brushed Nickel
BER090BR	Polished Brass
BER090GP	Gold Plated

Minimum order: 1 each. All Frameless Shower Door Hinges can be combined for quantity pricing. Other finishes available on special order. **NOTE:** All Shower Door Hinges are sold by the each, not in pairs. Be sure to order a minimum of two each hinges to install one door.



C.R. LAURENCE COMPANY

crlaurence.com | usalum.com

212J | crlaurence.ca crlaurence.com.au crlaurence.co.uk crlaurence.de crlaurence.eu

CRL Light Duty Frameless Shower Door and Cabinet Hinges

- An Excellent Choice for Small, Single Shower Stalls
- Available in Half-Round or Square Corner Shapes for Use With 1/4" to 5/16" (6 to 8 mm) Thick Glass
- Also a Great Choice as a Cabinet Hinge
- Free-Swinging Hinges Requires a Hole in the Glass

Light Duty Frameless Shower Door and Cabinet Hinges provide design versatility. They can be used for smaller (see Maximum Capacity Chart below), single stall frameless shower doors, and also prove to be an excellent choice for cabinets in the general bathroom area or anywhere else. Wherever installed, they help perpetuate the 'all-glass' look desired by so many architects and designers.

Light Duty Hinges are free-swinging, meaning they do not have a self-centering or self-closing mechanism. The Half-Round Shape is perfect for softer, more subtle doors. The Square Corner Shape has a stronger, more dominant appearance. These Hinges are stocked in up to four popular finishes, with custom finishes available upon request. Light Duty Hinges will accommodate 1/4" to 5/16" (6 to 8 mm) thick glass. A single hole in the glass is all that is needed for fabrication; no cut-out is necessary. Gaskets are included for glass-to-metal protection. Hinges are sold two per pack.



FINISHES:



Most models are stocked in the finishes shown here, others are available on special order.

*MAXIMUM CAPACITIES	1/4" (6 MM) GLASS		5/16" (8 MM) GLASS	
	WEIGHT	DOOR WIDTH	WEIGHT	DOOR WIDTH
Using Two Hinges	50 lbs/23 kg	24"/610 mm	50 lbs/23 kg	24"/610 mm
Using Three Hinges	75 lbs/34 kg	24"/610 mm	75 lbs/34 kg	24"/610 mm

* NOTE: Do not exceed maximum door weight or width when choosing proper quantity of hinges.

SPECIFICATIONS

Glass Thickness: 1/4" to 5/16" (6 to 8 mm) Tempered Safety Glass

Material: Solid Brass

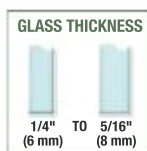
Hinge Swings: 90 Degrees Outward Only

Closing Type: Free-Swinging

Fabrication: EH84, EH85, and EH86: 9/16" (14 mm) Hole Required
EH184, EH185, and EH186: 1/2" (12 mm) Hole Required

Includes: Gaskets

Half-Round Style

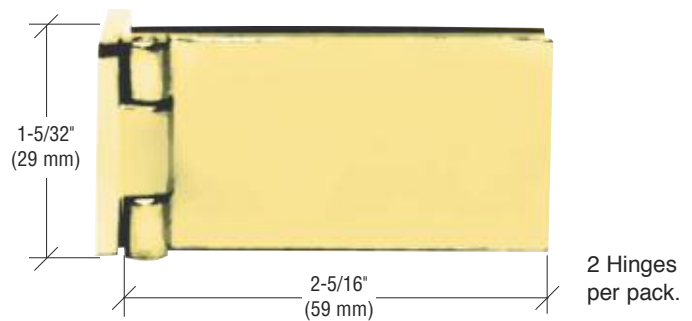


2 Hinges per pack.

CAT. NO.	FINISH
EH184	Polished Chrome
EH185	Satin Chrome (Matte)
EH186	Polished Brass

Minimum order: 1 pack. All finishes can be combined for quantity pricing.

Square Corner Style



2 Hinges per pack.

CAT. NO.	FINISH
EH84	Polished Chrome
EH85	Brushed Nickel
EH86	Polished Brass

Minimum order: 1 pack. All finishes can be combined for quantity pricing.

CRL JAMB MOUNTED HINGE KITS

For Pricing Visit crlaurence.com or Call Us Toll Free at the Phone Numbers Shown on the Back Cover

CRL Frameless Hinge KD Door Kits

- Provides the Appearance of a Heavy Glass Unit While You Actually Supply Only 1/4" (6 mm) Glass
- Door is Manually Closed and Has a Magnetic Hold
- Two 1" (25.4 mm) Holes Required in the Glass
- Horizontal Adjustment of 3/16" (5 mm) in Each Direction
- Four Popular Stock Finishes in Two Heights are Available

Our Frameless Hinge KD Door Kit for 1/4" (6 mm) thick glass provides an appearance of a heavier enclosure, while you only need to supply the thinner, less expensive glass. The Hinges are mounted through a 1" (25.4 mm) diameter hole, and feature a molded nylon insert that allows a 3/16" (5 mm) horizontal adjustment in each direction to assist with undesirable wall conditions. This design has the Hinges holding the glass firmly, without relying on clamping or compression pressure.

Kits include a hinge jamb assembly with the Hinges and Fin Seal attached, an Aluminum Strike Jamb, a "slip over the edge" Magnetic Latch Handle, Seals for around the doors, and a complete Hardware Package for installation. Glass is not included as part of the kit. Four popular stock finishes are offered, in a choice of two heights. Kit utilizes two Hinges only. Replacement Hinges also available (see below).



FINISHES:



SPECIFICATIONS

Glass Thickness: 1/4" (6 mm). (Glass not included in kit)

Material: Aluminum

Closing Type: Free Swinging with Magnetic Hold

Maximum Sizes: Width: 36" (914 mm); Height: 72" (1829 mm)

Fabrication: Two 1" (25.4 mm) Diameter Holes Required, 1-1/4" (32 mm) from Edge of Glass to Center of Hole.

KIT CONTAINS:

- Hinge Jamb Assembly With Hinges and Fin Seal Attached
- Aluminum Strike Jamb
- Magnetic Latch Handle
- Door Seals
- Hardware Package



For Replacement Aluminum Jamb With Clear Vinyl Wipe see page 326J.

FRAMELESS HINGE KD DOOR KITS

CAT. NO.	HEIGHT	FINISH
HDK64BA	64" (1625 mm)	Brite Anodized
HDK64BGA	64" (1625 mm)	Brite Gold Anodized
HDK64BN	64" (1625 mm)	Brushed Nickel
HDK64W	64" (1625 mm)	White
HDK72BA	72" (1829 mm)	Brite Anodized
HDK72BGA	72" (1829 mm)	Brite Gold Anodized
HDK72BN	72" (1829 mm)	Brushed Nickel
HDK72W	72" (1829 mm)	White

Minimum order: 1 each. All Kits can be combined for quantity pricing.



REPLACEMENT HINGES ONLY

CAT. NO.	FINISH
MH1CH	Brite Anodized
MH1BR	Brite Gold Anodized
MH1BN	Brushed Nickel
MH1W	White

Minimum order: 1 each.

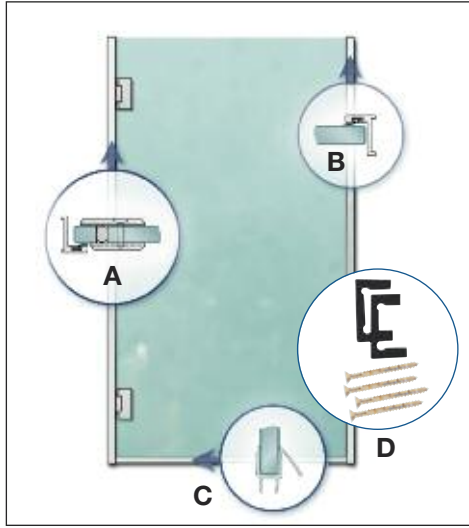


C.R. LAURENCE COMPANY

crlaurence.com | usalum.com

214J | crlaurence.ca crlaurence.com.au crlaurence.co.uk crlaurence.de crlaurence.eu

CRL Jamb Mounted Hinge Kits



- Square or Radius/Beveled Forged Brass Hinges With Anodized Aluminum Jamb and Clear Vinyl Sweep
- 72" (1.83 m) and 78" (1.98 m) Height Kits in the Three Most Popular Hinge Finishes Available for 3/8" to 1/2" (10 to 12 mm) Glass
- 5 Degree Hinge Pins Ensure Positive Closure to Provide a Water Resistant Seal at Both the Sides and the Bottom
- Self-Centering From 15 Degrees
- All Necessary Mounting Hardware Included



JAMB MOUNTED HINGE KITS CONSIST OF:

- A. Aluminum Jamb with Two Hinges Attached (Plus Vinyl)
- B. Aluminum Strike Jamb with Vinyl
- C. Clear Vinyl Bottom Sweep with Drip Rail
- D. Mounting Hardware

NOTE: Pulls or Knobs must be ordered separately. Glass not included.

Our Jamb Mounted Hinge Kits let you provide an 'all-glass' look shower door in an easy-to-install configuration. Water leakage around the door is minimized with the use of extruded aluminum jamb with vinyl for both the hinge and strike sides (see page 326J for additional information), and a clear vinyl sweep for the bottom. Kits come in your choice of three of our most popular finishes, with glass cut-out templates and installation instructions enclosed.

Standard Hinge Kits for 3/8" (10 mm) Glass Only

Geneva Series Square Style Hinges



72" (1.83 M) HEIGHT GENEVA SERIES KITS

CAT. NO.	FINISH
GEN03372CH	Polished Chrome
GEN03372BR	Polished Brass
GEN03372BN	Brushed Nickel

* **NOTE:** Maximum door width 28"/711 mm; weight 80 lbs/36 kg.

78" (1.98 M) HEIGHT GENEVA SERIES KITS

CAT. NO.	FINISH
GEN03378CH	Polished Chrome
GEN03378BR	Polished Brass
GEN03378BN	Brushed Nickel

* **NOTE:** Maximum door width 28"/711 mm; weight 80 lbs/36 kg.

FINISHES:



Pinnacle Series Radius/Beveled Style Hinges



72" (1.83 M) HEIGHT PINNACLE SERIES KITS

CAT. NO.	FINISH
P1N03372CH	Polished Chrome
P1N03372BR	Polished Brass
P1N03372BN	Brushed Nickel

* **NOTE:** Maximum door width 28"/711 mm; weight 80 lbs/36 kg.

78" (1.98 M) HEIGHT PINNACLE SERIES KITS

CAT. NO.	FINISH
P1N03378CH	Polished Chrome
P1N03378BR	Polished Brass
P1N03378BN	Brushed Nickel

* **NOTE:** Maximum door width 28"/711 mm; weight 80 lbs/36 kg.

Heavy-Duty Hinge Kits for 3/8" or 1/2" (10 or 12 mm) Glass

Vienna Series Square Style Hinges



72" (1.83 M) HEIGHT VIENNA SERIES KITS

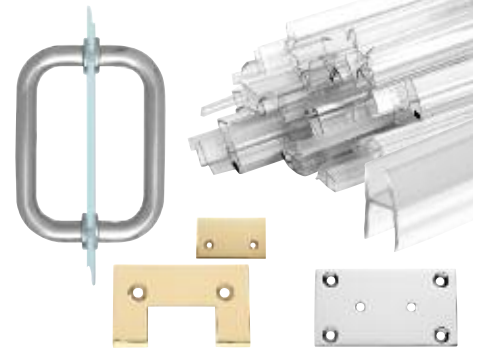
CAT. NO.	FINISH
V1E03372CH	Polished Chrome
V1E03372BR	Polished Brass
V1E03372BN	Brushed Nickel

* **NOTE:** 3/8" Glass maximum door width 36"/914 mm; weight 100 lbs/45 kg.
1/2" Glass maximum door width 30"/762 mm; weight 100 lbs/45 kg.

Heavy-Duty Kits also contain Bottom Sweeps for both 3/8" and 1/2" (10 and 12 mm) glass. All Kits can be mounted with the hinge on the left or right hand side when viewed from inside of the shower, and should be installed so that the door swings outward.

CRL Replacement Hardware for CRL Hinges, Handles and Other Hardware

- Replacement Hardware for Our Most Popular Hinges and Handles in All Commonly Used Finishes
- Renovate Without the Expense of Replacing an Entire Unit
- A Terrific Opportunity to Expand Your Profits While Servicing Your Customers



Since 1988 C.R. Laurence Co., Inc. has provided Frameless Shower Door Hardware for millions of residential and hotel shower door units. Due to improper cleaning, or hard water, hardware and seals can deteriorate. Some of these early units are now ready for service or replacement. This is another opportunity to service your customer and secure future business. In this catalog we show a variety of the most commonly asked for Replacement Hardware. Some items are not shown, but are available on special order. If you don't see what you want please call our Shower Technical Department at (800) 421-6144 in the U.S., (877) 421-6144 from Canada, or (323) 588-1281 International. Ask for Ext. 7740.

Four Commonly Required Repairs:

Door Alignment

After years of use the shower door has a tendency to get out of alignment and start making contact with other surfaces. If not corrected door glass breakage is the most common result.



Loosen the cover plate and align the door.



After alignment, tighten the cover plate screws by hand. Do not use a power tool, or you risk damaging the screw heads.

Corroded Cover Plate or Screws

Because of hard water or improper cleaning over a period of time, interior cover plates and screws have a tendency to become dull or corroded. Replacement will bring back the original luster.



Block the door to maintain alignment and remove the cover plate. Clean glass in gasket area.



Install a new gasket and interior cover plate, replace screws, then secure in place.

Door Handles or Knobs

Alkaline, rings, and wear and tear will take away the newness and luster of the handle or knob over a period of time. A simple replacement of the handle or knob brings the shower back to life.



Remove existing handle or knob and discard.

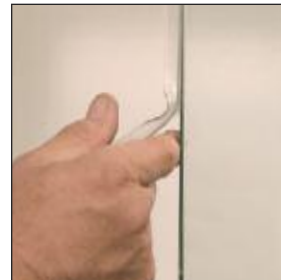


Install the new handle or knob and secure washers and set screws.

See Pages 230J-257J for our complete selection of Knobs and Pull Handles.

Water Seals

As good as seal technology has become, over time the water seal will deteriorate or become brittle and allow for leakage. Removing and replacing these seals will contain water leaks and bring the shower back to it's original condition.



Remove the damaged or brittle water seals or wipe.



Cut the new and matching water seals to the same length as the originals and install.

See Pages 319J-326J for our complete selection of Water Seals.

CRL Watertight Cover Plates

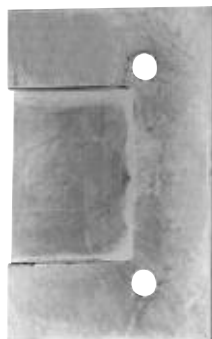
- New Watertight Cover Plates Seal the Small Gap Between the Center Block and the Hinge
- Available in Our Four Most Popular Models
- Stocked in Many Popular Finishes

CRL Geneva Watertight Cover Plates

Watertight Cover Plate for the Door



Exterior Surface



Interior Surface

For: GEN037, GEN337, GEN537, GEN044, GEN344, GEN544, GEN074, GEN574, GEN092, GEN180, GEN380, GEN580, GEN045, GEN345, GEN545

CAT. NO.	FINISH
GL2CH	Polished Chrome
GL2SC	Satin Chrome (Matte)
GL2BN	Brushed Nickel
GL2BR	Polished Brass
GL2ABR	Antique Brass
GL2ORB	Oil Rubbed Bronze

Minimum order: 1 each. Other finishes are available on special order.

CRL has designed a Cover Plate to reduce water leakage. It's a replacement for the standard plate, and there are no modifications needed for installation. Take off the standard cover plate and replace it with the New Watertight Cover Plate, it's as simple as that.

NOTE: When using a Watertight Cover Plate the door can only be opened outwards. A stop or jamb must be used so the door cannot be pushed inwards.

CRL Pinnacle Watertight Cover Plates

Watertight Cover Plate for the Door



Exterior Surface



Interior Surface

For: P1N037, P1N337, P1N537, P1N044, P1N344, P1N544, P1N092, P1N180, P1N380, P1N580, P1N045, P1N345, P1N545, P1N074, P1N574

CAT. NO.	FINISH
PL2CH	Polished Chrome
PL2SC	Satin Chrome (Matte)
PL2BN	Brushed Nickel
PL2BR	Polished Brass
PL2ABR	Antique Brass
PL2ORB	Oil Rubbed Bronze

Minimum order: 1 each. Other finishes are available on special order.

INSTALLATION TIP:

From the inside of the shower, wedge the glass door to prevent movement. Then remove the existing cover plate. Clean the area around the existing cover plate and make sure the gasket is aligned. Now install the new Watertight Cover Plate. Tighten the Cover Plate screws by hand so you won't damage the screw heads. Allow gaskets to settle 10 minutes or so and re-tighten.



CRL Watertight Cover Plates

NOTE: When using a Watertight Cover Plate the door can only be opened outwards. A stop or jamb must be used so the door cannot be pushed inwards.

CRL Vienna Watertight Cover Plates

Watertight Cover Plate for the Door



Exterior Surface



Interior Surface

For: V1E037, V1E337, V1E537, V1E044, V1E344, V1E544, V1E045, V1E074, V1E092, V1E180, V1E380, V1E580

CAT. NO.	FINISH
VL2CH	Polished Chrome
VL2SC	Satin Chrome (Matte)
VL2BN	Brushed Nickel
VL2BR	Polished Brass
VL2ABR	Antique Brass
VL2ORB	Oil Rubbed Bronze

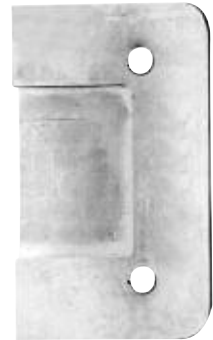
Minimum order: 1 each. Other finishes are available on special order.

CRL Cologne Watertight Cover Plates

Watertight Cover Plate for the Door



Exterior Surface



Interior Surface

For: COL037, COL337, COL537, COL044, COL544, COL045, COL074, COL092, COL180, COL380

CAT. NO.	FINISH
CL2CH	Polished Chrome
CL2SC	Satin Chrome (Matte)
CL2BN	Brushed Nickel
CL2BR	Polished Brass
CL2ABR	Antique Brass
CL2ORB	Oil Rubbed Bronze

Minimum order: 1 each. Other finishes are available on special order.



CRL Geneva Hinge Replacement Plates

- Replacement Parts Now in Stock for Several Hinge Models in Our Most Popular Finishes

Several Models of Hinge Plates are now stocked in many popular finishes for your convenience. This allows an inexpensive and convenient way to replace old and worn plates. Additional popular replacement parts are shown on the following pages. Other parts are available on special order.

Wall Mount Full Back Plate

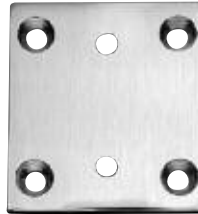


For: GEN037, GEN337, GEN537

CAT. NO.	FINISH
G3CH	Polished Chrome
G3SC	Satin Chrome (Matte)
G3BN	Brushed Nickel
G3PN	Polished Nickel
G3BR	Polished Brass
G3ABR	Antique Brass
G3ORB	Oil Rubbed Bronze

Minimum order: 1 each. Other finishes are available on special order.

Wall Mount Short Back Plate



For: GEN074, GEN574

CAT. NO.	FINISH
G3SBYCH	Polished Chrome
G3SBYSC	Satin Chrome (Matte)
G3SBYBN	Brushed Nickel
G3SBYBR	Polished Brass
G3SBYABR	Antique Brass
G3SBYORB	Oil Rubbed Bronze

Minimum order: 1 each. Other finishes are available on special order.

Wall Mount Offset Back Plate

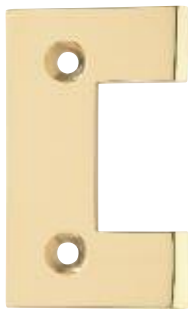


For: GEN044, GEN344, GEN544

CAT. NO.	FINISH
G044CH	Polished Chrome
G044SC	Satin Chrome (Matte)
G044BN	Brushed Nickel
G044BR	Polished Brass
G044ABR	Antique Brass
G044ORB	Oil Rubbed Bronze

Minimum order: 1 each. Other finishes are available on special order.

Standard Cover Plate for the Door Side



For: GEN037, GEN337, GEN537, GEN044, GEN344, GEN544, GEN074, GEN574, GEN092, GEN180, GEN380, GEN580, GEN045, GEN345, GEN545

CAT. NO.	FINISH
G2CH	Polished Chrome
G2SC	Satin Chrome (Matte)
G2BN	Brushed Nickel
G2BR	Polished Brass
G2ABR	Antique Brass
G2ORB	Oil Rubbed Bronze
G2ABCO	Antique Brushed Copper

Minimum order: 1 each. Other finishes are available on special order.

Standard Cover Plate for the Fixed Panel



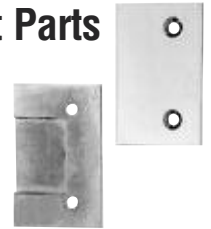
For: GEN180, GEN380, GEN580, GEN045, GEN345, GEN545

CAT. NO.	FINISH
G6CH	Polished Chrome
G6SC	Satin Chrome (Matte)
G6BN	Brushed Nickel
G6BR	Polished Brass
G6ABR	Antique Brass
G6ORB	Oil Rubbed Bronze

Minimum order: 1 each. Other finishes are available on special order.

Other Geneva Replacement Parts

Watertight Cover Plates
See Page 217J



Cover Plate Gaskets
See Page 225J



Cover Plate Screws
See Page 224J



Wall Mount Back Plate Screws
See Page 225J



CRL HINGE REPLACEMENT HARDWARE

For Pricing Visit crlaurence.com or Call Us Toll Free at the Phone Numbers Shown on the Back Cover

CRL Pinnacle Hinge Replacement Plates

- Replacement Parts Now in Stock for Several Hinges in Our Most Popular Finishes

For your convenience we now stock Hinge Plates in many popular finishes. This allows an inexpensive and convenient way to replace old and worn plates. Additional popular replacement parts are shown on the following pages. Other parts are available on special order.

Wall Mount Full Back Plate



For: P1N037, P1N337, P1N537

CAT. NO.	FINISH
P3CH	Polished Chrome
P3SC	Satin Chrome (Matte)
P3BN	Brushed Nickel
P3BR	Polished Brass
P3ABR	Antique Brass
P3ORB	Oil Rubbed Bronze

Minimum order: 1 each. Other finishes are available on special order.

Wall Mount Short Back Plate



For: P1N074, P1N574

CAT. NO.	FINISH
P3SBYCH	Polished Chrome
P3SBYSC	Satin Chrome (Matte)
P3SBYBN	Brushed Nickel
P3SBYBR	Polished Brass
P3SBYABR	Antique Brass
P3SBYORB	Oil Rubbed Bronze

Minimum order: 1 each. Other finishes are available on special order.

Wall Mount Offset Back Plate



For: P1N044, P1N344, P1N544

CAT. NO.	FINISH
P044CH	Polished Chrome
P044SC	Satin Chrome (Matte)
P044BN	Brushed Nickel
P044BR	Polished Brass
P044ABR	Antique Brass
P044ORB	Oil Rubbed Bronze

Minimum order: 1 each. Other finishes are available on special order.

Standard Cover Plate for the Door Side



For: P1N037, P1N337, P1N044, P1N344, P1N544, P1N537, P1N092, P1N180, P1N380, P1N580, P1N045, P1N345, P1N545

CAT. NO.	FINISH
P2CH	Polished Chrome
P2SC	Satin Chrome (Matte)
P2BN	Brushed Nickel
P2BR	Polished Brass
P2ABR	Antique Brass
P2ORB	Oil Rubbed Bronze

Minimum order: 1 each. Other finishes are available on special order.

Standard Cover Plate for the Fixed Panel



For: P1N180, P1N380, P1N580, P1N045, P1N345, P1N545

CAT. NO.	FINISH
P6CH	Polished Chrome
P6SC	Satin Chrome (Matte)
P6BN	Brushed Nickel
P6BR	Polished Brass
P6ABR	Antique Brass
P6ORB	Oil Rubbed Bronze

Minimum order: 1 each. Other finishes are available on special order.

Other Pinnacle Replacement Parts

Watertight Cover Plates
See Page 217J



Cover Plate Gaskets
See Page 225J



Cover Plate Screws
See Page 224J



Wall Mount Back Plate Screws
See Page 225J



C.R. LAURENCE COMPANY

crlaurence.com | usalum.com

220J | crlaurence.ca crlaurence.com.au crlaurence.co.uk crlaurence.de crlaurence.eu

CRL HINGE REPLACEMENT HARDWARE

For Pricing Visit crlaurence.com or Call Us Toll Free at the Phone Numbers Shown on the Back Cover

CRL Vienna Hinge Replacement Plates

- Replacement Parts Now in Stock for Several Hinge Models in Our Most Popular Finishes

Several Popular Hinge plates are now stocked in many popular finishes for your convenience. This allows an inexpensive and convenient way to replace old and worn plates. Additional popular replacement parts are shown on the following pages. Other parts are available on special order.

Wall Mount Full Back Plate

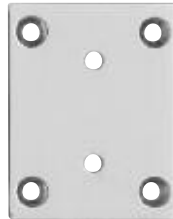


For: V1E037, V1E337, V1E537

CAT. NO.	FINISH
V3CH	Polished Chrome
V3SC	Satin Chrome (Matte)
V3BN	Brushed Nickel
V3BR	Polished Brass
V3ABR	Antique Brass
V3ORB	Oil Rubbed Bronze

Minimum order: 1 each. Other finishes are available on special order.

Wall Mount Short Back Plate



For: V1E074

CAT. NO.	FINISH
V3SBYCH	Polished Chrome
V3SBYSC	Satin Chrome (Matte)
V3SBYBN	Brushed Nickel
V3SBYBR	Polished Brass
V3SBYABR	Antique Brass
V3SBYORB	Oil Rubbed Bronze

Minimum order: 1 each. Other finishes are available on special order.



Standard Cover Plate for the Door Side



For: V1E037, V1E337, V1E537, V1E044, V1E344, V1E544, V1E045, V1E074, V1E092, V1E180, V1E380, V1E580

CAT. NO.	FINISH
V2CH	Polished Chrome
V2SC	Satin Chrome (Matte)
V2BN	Brushed Nickel
V2BR	Polished Brass
V2ABR	Antique Brass
V2ORB	Oil Rubbed Bronze

Minimum order: 1 each. Other finishes are available on special order.

Standard Cover Plate for the Fixed Panel



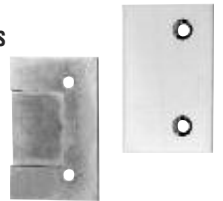
For: V1E045, V1E180, V1E380, V1E580

CAT. NO.	FINISH
V6CH	Polished Chrome
V6SC	Satin Chrome (Matte)
V6BN	Brushed Nickel
V6BR	Polished Brass
V6ABR	Antique Brass
V6ORB	Oil Rubbed Bronze

Minimum order: 1 each. Other finishes are available on special order.

Other Vienna Replacement Plates

Watertight Cover Plates
See Page 218J



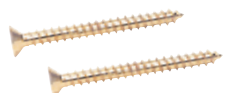
Cover Plate Gaskets
See Page 225J



Cover Plate Screws
See Page 224J



Wall Mount Back Plate Screws
See Page 225J



CRL Cologne Hinge Replacement Plates

- Replacement Parts Now in Stock for Several Hinge Models in our Most Popular Finishes

For your convenience we now stock several Hinge Plates in many popular finishes. This allows an inexpensive and convenient way to replace old and worn plates. Additional popular replacement parts are shown on the following pages. Other parts are available on special order.

Wall Mount Full Back Plate



For: COL037, COL337, COL537

CAT. NO.	FINISH
COL3CH	Polished Chrome
COL3SC	Satin Chrome (Matte)
COL3BN	Brushed Nickel
COL3BR	Polished Brass
COL3ABR	Antique Brass
COL3ORB	Oil Rubbed Bronze

Minimum order: 1 each. Other finishes are available on special order.

Standard Cover Plate for the Door Side



For: COL037, COL337, COL537, COL044, COL544
COL074, COL092, COL180, COL380, COL045

CAT. NO.	FINISH
COL2CH	Polished Chrome
COL2SC	Satin Chrome (Matte)
COL2BN	Brushed Nickel
COL2BR	Polished Brass
COL2ABR	Antique Brass
COL2ORB	Oil Rubbed Bronze

Minimum order: 1 each. Other finishes are available on special order.

Standard Cover Plate for the Fixed Panel



For: COL180, COL380, COL045

CAT. NO.	FINISH
COL6CH	Polished Chrome
COL6SC	Satin Chrome (Matte)
COL6BN	Brushed Nickel
COL6BR	Polished Brass
COL6ABR	Antique Brass
COL6ORB	Oil Rubbed Bronze

Minimum order: 1 each. Other finishes are available on special order.

CRL Concord Hinge Replacement Plates

Standard Cover Plate for the Door and Fixed Side



For: SDH037, SDH090, SDH135, SDH180

CAT. NO.	FINISH
L2CH	Polished Chrome
L2SC	Satin Chrome (Matte)
L2BN	Brushed Nickel
L2BR	Polished Brass
L2ABR	Antique Brass
L2ORB	Oil Rubbed Bronze

Minimum order: 1 each. Other finishes are available on special order.

CRL Estate Hinge Replacement Plates

Standard Cover Plate for the Door and Fixed Side



For: EST037, EST090, EST135, EST180

CAT. NO.	FINISH
E2CH	Polished Chrome
E2SC	Satin Chrome (Matte)
E2BN	Brushed Nickel
E2BR	Polished Brass
E2ABR	Antique Brass
E2ORB	Oil Rubbed Bronze

Minimum order: 1 each. Other finishes are available on special order.

CRL HINGE REPLACEMENT HARDWARE

For Pricing Visit crlaurence.com or Call Us Toll Free at the Phone Numbers Shown on the Back Cover

CRL Prima Hinge Replacement Plates

- Replacement Parts Now in Stock for Popular Hinge Models in Our Most Requested Finishes

Several Popular Hinge Plates are now stocked in many popular finishes for your convenience. This allows an inexpensive and convenient way to replace old and worn plates. Additional popular replacement parts are shown on the following pages. Other parts are available on special order.

Standard Cover Plate for the Door



For: PPH01, PPH0151, PPH0152, PPH02, PPH03, PPH04, PPH05L, PPH05R, PPH06, PPH07, PPH0735L, PPH0735R, PPH135L, PPH135R

CAT. NO.	FINISH
PPH2CH	Polished Chrome
PPH2SC	Satin Chrome (Matte)
PPH2BN	Brushed Nickel
PPH2BR	Polished Brass
PPH2ABR	Antique Brass
PPH2ORB	Oil Rubbed Bronze

Minimum order: 1 each. Other finishes are available on special order.

Base Plate



For: PPH01, PPH06, PPH08, (May also be used for Rondo RON001, and Shell SHE001 Models)

CAT. NO.	FINISH
PPH3CH	Polished Chrome
PPH3SC	Satin Chrome (Matte)
PPH3BN	Brushed Nickel
PPH3BR	Polished Brass
PPH3ABR	Antique Brass
PPH3ORB	Oil Rubbed Bronze

Minimum order: 1 each. Other finishes are available on special order.

Rear Cover Plate with Drip Rail

new

- Helps Deflect Water Back Into Shower Enclosure



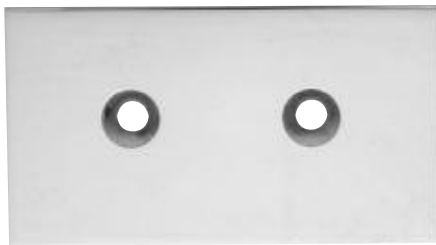
For: PPH01, PPH08

CAT. NO.	FINISH
PPHWP1CH	Polished Chrome
PPHWP1SC	Satin Chrome (Matte)
PPHWP1BN	Brushed Nickel
PPHWP1PN	Polished Nickel
PPHWP1SN	Satin Nickel
PPHWP1BR	Polished Brass
PPHWP1ORB	Oil Rubbed Bronze
PPHWP1BBRZ	Brushed Bronze

Minimum order: 1 each. Other finishes are available on special order.

CRL Cardiff Hinge Replacement Plates

Standard Cover Plate for the Door



For: CAR01, CAR02, CAR03, CAR04, CAR05L, CAR05R

CAT. NO.	FINISH
CA2CH	Polished Chrome
CA2SC	Satin Chrome (Matte)
CA2BN	Brushed Nickel
CA2BR	Polished Brass
CA2ABR	Antique Brass
CA2ORB	Oil Rubbed Bronze

Minimum order: 1 each. Other finishes are available on special order.

Base Plate



For: CAR01

CAT. NO.	FINISH
CA3CH	Polished Chrome
CA3SC	Satin Chrome (Matte)
CA3BN	Brushed Nickel
CA3BR	Polished Brass
CA3ABR	Antique Brass
CA3ORB	Oil Rubbed Bronze

Minimum order: 1 each. Other finishes are available on special order.

CRL Cover Plate Screws

- CRL has a Full Range of Shower Door Replacement Screws
- Available in Up to Twenty One Finishes
- Stainless Steel 304

5 mm x 12 mm Flat Head Screws (8 per Pack)



Phillips Head



Allen Head

For: Jr. Cathedral, Jr. Geneva, Jr. Prima, Trianon, and Zurich Hinges

PHILLIPS HEAD CAT. NO.	ALLEN HEAD CAT. NO.	FINISH
P512CH	A512CH	Polished Chrome
P512SC	A512SC	Satin Chrome (Matte)
P512BN	A512BN	Brushed Nickel
P512PN	A512PN	Polished Nickel
P512SN	A512SN	Satin Nickel
P512BR	A512BR	Polished Brass
P512SB	A512SB	Satin Brass
P512ORB	A512ORB	Oil Rubbed Bronze
P512GM	A512GM	Gun Metal
P512GP	A512GP	Gold Plated
P512W	A512W	White
P512BL	A512BL	Black

Minimum order: 1 pack. Screws can be combined for quantity pricing. Other Finishes are available on special order.

6 mm x 15 mm Flat Head Screws (8 per Pack)



Phillips Head



Allen Head

Fit: Elite, Senior Prima, Regal, Cologne, and Vienna Hinges

PHILLIPS HEAD CAT. NO.	ALLEN HEAD CAT. NO.	FINISH
P615CH	A615CH	Polished Chrome
P615SC	A615SC	Satin Chrome (Matte)
P615BN	A615BN	Brushed Nickel
P615PN	A615PN	Polished Nickel
P615BR	A615BR	Polished Brass
P615SB	A615SB	Satin Brass
P615ABR	A615ABR	Antique Brass
P615ORB	A615ORB	Oil Rubbed Bronze
P615BBRZ	A615BBRZ	Brushed Bronze
P615GP	A615GP	Gold Plated
P615W	A615W	White

Minimum order: 1 pack. Screws can be combined for quantity pricing. Other Finishes are available on special order.

CRL carries an extensive inventory of Replacement Screws for all of our Hinge Cover Plates. Three sizes of Screws are available, 5 mm x 12 mm, 6 mm x 12 mm, and 6 mm x 15 mm. Two styles of heads, Phillips or Allen are offered to meet your needs. Up to 21 finishes will definitely meet your requirements.

6 mm x 12 mm Flat Head Screws (8 per Pack)



Phillips Head



Allen Head

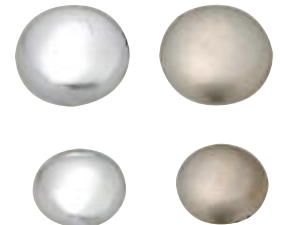
For: Berlin, Cardiff, Cathedral, Classique, Concord, Estate Geneva, Grande, Milano, Monaco, Petite, Pinnacle, Prima, Roman, Rondo, Shell, and Ultimate Hinges

PHILLIPS HEAD CAT. NO.	ALLEN HEAD CAT. NO.	FINISH
P612CH	A612CH	Polished Chrome
P612SC	A612SC	Satin Chrome (Matte)
P612BSC	A612BSC	Brushed Satin Chrome
P612BN	A612BN	Brushed Nickel
P612PN	A612PN	Polished Nickel
P612SN	A612SN	Satin Nickel
P612ABN	A612ABN	Antique Brushed Nickel
P612BR	A612BR	Polished Brass
P612SB	A612SB	Satin Brass
P612ABR	A612ABR	Antique Brass
P612UBR	A612UBR	Ultra Brass
P612ORB	A612ORB	Oil Rubbed Bronze
P612ABRZ	A612ABRZ	Antique Bronze
P612BBRZ	A612BBRZ	Brushed Bronze
P612ABCO	A612ABCO	Antique Brushed Copper
P612BCO	A612BCO	Brushed Copper
P612PCO	A612PCO	Polished Copper
P612GM	A612GM	Gun Metal
P612GP	A612GP	Gold Plated
P612W	A612W	White
P612BL	A612BL	Black

Minimum order: 1 pack. Screws can be combined for quantity pricing. Other Finishes are available on special order.

CRL Caps for Cover Plate Screws

- Fits 5 mm and 6 mm Flat Head Phillips Screws (8 per Pack)



Apply a small dab of silicone sealant into the Phillips recess in the Screw, then snap the cap in place.

For: All CRL Cover Plates that use 5 mm or 6 mm Flat Head Phillips Screws

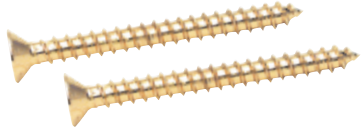
5 MM HEAD CAPS CAT. NO.	6 MM HEAD CAPS CAT. NO.	FINISH
CAP5CH	CAP6CH	Polished Chrome
CAP5BN	CAP6BN	Brushed Nickel
CAP5BR	CAP6BR	Polished Brass

Minimum order: 1 pack. Caps can be combined for quantity pricing. Other Finishes are available on special order.

Wall Mount Back Plate Screws

- CRL has a Full Range of Shower Door Replacement Screws
- Available in Up to Twenty One Finishes
- Stainless Steel 304

10 x 2" Flat Head Phillips Sheet Metal Screws (10 per Pack and 50 per Pack)



Fits: Berlin, Cardiff, Cathedral, Classique, Cologne, Concord, Estate, Geneva, Grande, Junior Cathedral, Junior Geneva, Junior Prima, Milano, Monaco, Petite, Pinnacle, Prima, Roman, Rondo, Shell, Ultimate, and Zurich Hinges.

10 PACK CAT. NO.	50 PACK CAT. NO.	FINISH
P102CH	P102CH50	Polished Chrome
P102SC	---	Satin Chrome (Matte)
P102BSC	---	Brushed Satin Chrome
P102BN	---	Brushed Nickel
P102PN	---	Polished Nickel
P102SN	---	Satin Nickel
P102ABN	---	Antique Brushed Nickel
P102BR	P102BR50	Polished Brass
P102SB	---	Satin Brass
P102ABR	---	Antique Brass
P102UBR	---	Ultra Brass
P102ORB	---	Oil Rubbed Bronze
P102ABRZ	---	Antique Bronze
P102BBRZ	---	Brushed Bronze
P102ABC0	---	Antique Brushed Copper
P102BC0	---	Brushed Copper
P102PC0	---	Polished Copper
P102GM	---	Gun Metal
P102GP	---	Gold Plated
P102W	---	White
P102BL	---	Black

Minimum order: 1 pack. Screws can be combined for quantity pricing. Other Finishes are available on special order.

Hinge Pin Wrench

- Time Saving Tool for Changing Pivot Pin Degree Angle



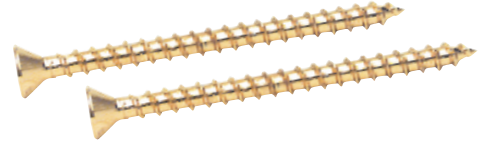
Works with the following hinge series: Geneva, Pinnacle, Elite, Ultimate, Cathedral, and Roman

The Hinge Pin Wrench simplifies the process of reversing 5 Degree Pivot Pins contained in select CRL Hinge Series. Minimum order is one each.

CAT. NO. HPW1

CRL carries a full range of replacement screws for Hinge Cover Plates. Three sizes of screws are available, 5 mm x 12 mm, 6 mm x 12 mm, and 6 mm x 15 mm. Two styles of heads, Phillips or Allen are offered to meet your needs. Up to 21 finishes will definitely meet your requirements.

10 x 3" Flat Head Phillips Sheet Metal Screws (10 per Pack)



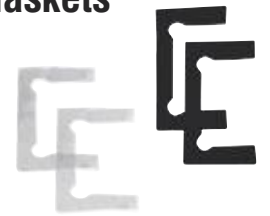
Fits: Berlin, Cardiff, Cathedral, Classique, Cologne, Concord, Estate, Geneva, Grande, Junior Cathedral, Junior Geneva, Junior Prima, Milano, Monaco, Petite, Pinnacle, Prima, Roman, Rondo, Shell, Ultimate, and Zurich Hinges.

10 PACK CAT. NO.	FINISH
P103CH	Polished Chrome
P103SC	Satin Chrome (Matte)
P103BSC	Brushed Satin Chrome
P103BN	Brushed Nickel
P103PN	Polished Nickel
P103BR	Polished Brass
P103ABR	Antique Brass
P103ORB	Oil Rubbed Bronze
P103ABRZ	Antique Bronze
P103BBRZ	Brushed Bronze
P103GP	Gold Plated
P103W	White

Minimum order: 1 pack. Screws can be combined for quantity pricing. Other Finishes are available on special order.

Replacement Hinge Gaskets

- Now Stocked in Black and Clear for Many Hinge Series
- 2.5 mm Gaskets for 5/16" (8 mm) Glass



We stock Replacement Gaskets to fit many popular hinge series. Packages contain two thick and two thin gaskets, in either black or clear as designated in chart below. Gaskets for hinge series not shown here are available on special order.

BLACK CAT. NO.	CLEAR CAT. NO.	*BLACK 2.5 MM THICK CAT. NO.	HINGE SERIES GASKET SETS
GENGK1	GEN4GKCLR	GEN13	Geneva
JRG4GK1	JRG4GKCLR	---	Junior Geneva
SDGK	SDGKCLR	SDH13	Concord
---	---	EST13	Estate
PETGASK	PETGASKCLR	---	Petite
---	MONGASKCLR	---	Monaco
P1NGASK	P1NGASKCLR	P1N13	Pinnacle
PPHGK	PPHGKCLR	---	Prima
JRPPHGK	---	---	Junior Prima
SRPPHGK	---	---	Senior Prima
TR1GASK	---	---	Trianon
V1EGK1	V1E4GKCLR	V1E13	Vienna
COLGK1	---	COL13	Cologne
---	---	ROM13	Roman
ZURGK1	---	---	Zurich

Minimum order: 1 each. *Special 2.5 mm thick Black Gaskets (2 per pack) for 5/16" (8 mm) glass.

CRL Frameless 'All-Glass' Custom Restroom Partition System

- For Use With 1/2" (12 mm) Thick Tempered Glass Only (Not Included)
- 2" x 3" (51 x 76 mm) Posts Do Not Interrupt Glass Panels
- No Field Fabrication Required – Built to Your Specifications
- Stainless Steel Posts With Concealed Base Fastener
- Posts Mounted Behind Glass to Maximize Frameless Appearance
- Doors Accommodate Slide-Bolt Latches (Sold Separately)
- Doors are Inswing Only
- Allows Thru-Glass Mounted Optional Fixtures
- Polished Stainless, Brushed Stainless, and Powder Coat Colors Available

new



Choice of Cologne or Vienna Hinges Used With Restroom Partition System

(Hinges Included With Post)



Cologne Series

180 Degrees Glass-to-Glass
(see page 162J)



Vienna Series

180 Degrees Glass-to-Glass
(see page 156J)

The CRL Frameless 'All-Glass' Restroom Partition System will modernize any commercial bathroom area with your choice of multiple architectural finishes. Since metal posts do not interrupt the glass panels, a beautiful frameless environment is attained. No field fabrication is required, ensuring easy installation. Vienna or Cologne Series Hinges are utilized for this system that is designed for use with 1/2" (12 mm) thick tempered glass only (not included). Please contact our Frameless Shower Door Department or send us a drawing (see page 228J). We will generate a quote and provide any further details required.

See Quotation/Ordering Menu on Page 228J



Brackets Used With Restroom Partition System

(Sold Separately)

Fixed Panel Clamps for Glass-to-Wall Fastening



Wall Bracket
(see page 289J)

For Use With Cologne Series Hinges



Wall Bracket
(see page 288J)

For Use With Vienna Series Hinges

CAT. NO.	FINISH	DESCRIPTION
RPS12PS	Polished Stainless	Custom Restroom Partition System
RPS12BS	Brushed Stainless	Custom Restroom Partition System
RPS12P	Painted (Specify Color)	Custom Restroom Partition System

Minimum order: 1 each.

CRL RESTROOM PARTITION SYSTEM

For Pricing Visit crlaurence.com or Call Us Toll Free at the Phone Numbers Shown on the Back Cover

CRL Privacy Lock Used With Frameless 'All-Glass' Restroom Partition System

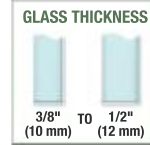
CRL Geneva Privacy Lock for the Restroom Partition System

new

- Slide Bolt Action Makes Lock Compliant With ADA Standards
- Square Style Matches Popular CRL Hardware Such as Geneva and Vienna Hinges
- Ideal for Use With Our 'All-Glass' Restroom Partition System
- Requires a Notch in the Glass
- Available in Chrome and Brushed Nickel Finishes
- For Use With 3/8" to 1/2" (10 to 12 mm) Tempered Glass Doors

The Geneva Glass Door Lock provides privacy for the user while also complying with ADA standards. The easy to slide locking mechanism has an exterior indicator that displays red when locked and blue when unlocked. A low profile screw on the exterior face allows for emergency access. The Geneva Glass Door Lock was developed for use with our 'All-Glass' Restroom Partition System. It can be used in conjunction with our Catalog Number GE90SCB Receiver for glass-to-glass installations, as well as our GE90SC3 Door Stop for single acting doors. Lock and Receiver each include gaskets for 3/8" and 1/2" (10 and 12 mm) glass, Phillips head and Allen head screws, and a hex wrench.

CE
Certification
(See Page 107J)



MODEL GE90SC3
Stop Plate



Exterior View



Interior View



MODEL GE90SCA
Lock

MODEL GE90SCB
Receiver

LOCK CAT. NO.	RECEIVER CAT. NO.	STOP PLATE CAT. NO.	FINISH
GE90SCACH	GE90SCBCH	GE90SC3CH	Polished Chrome
GE90SCABN	GE90SCBBN	GE90SC3BN	Brushed Nickel

Minimum order: 1 each. Locks, Receivers, and Stop Plates can be combined for quantity pricing.

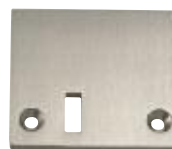
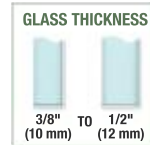
CRL Pinnacle Privacy Lock for the Restroom Partition System

new

- Slide Bolt Action Makes Lock Compliant With ADA Standards
- Beveled Style Matches Popular CRL Hardware Such as Pinnacle and Cologne Hinges
- Ideal for Use With Our 'All-Glass' Restroom Partition System
- Requires a Notch in the Glass
- Available in Chrome and Brushed Nickel Finishes
- For Use With 3/8" to 1/2" (10 to 12 mm) Tempered Glass Doors

The Pinnacle Glass Door Lock provides privacy for the user while also complying with ADA standards. The easy to slide locking mechanism has an exterior indicator that displays red when locked and blue when unlocked. A low profile screw on the exterior face allows for emergency access. The Pinnacle Glass Door Lock was developed for use with our 'All-Glass' Restroom Partition System. It can be used in conjunction with our Catalog Number P190SCB Receiver for glass-to-glass installations, as well as our P190SC3 Door Stop for single acting doors. Lock and Receiver each include gaskets for 3/8" and 1/2" (10 and 12 mm) glass, Phillips head and Allen head screws, and a hex wrench.

CE
Certification
(See Page 107J)



MODEL P190SC3
Stop Plate



Exterior View



Interior View



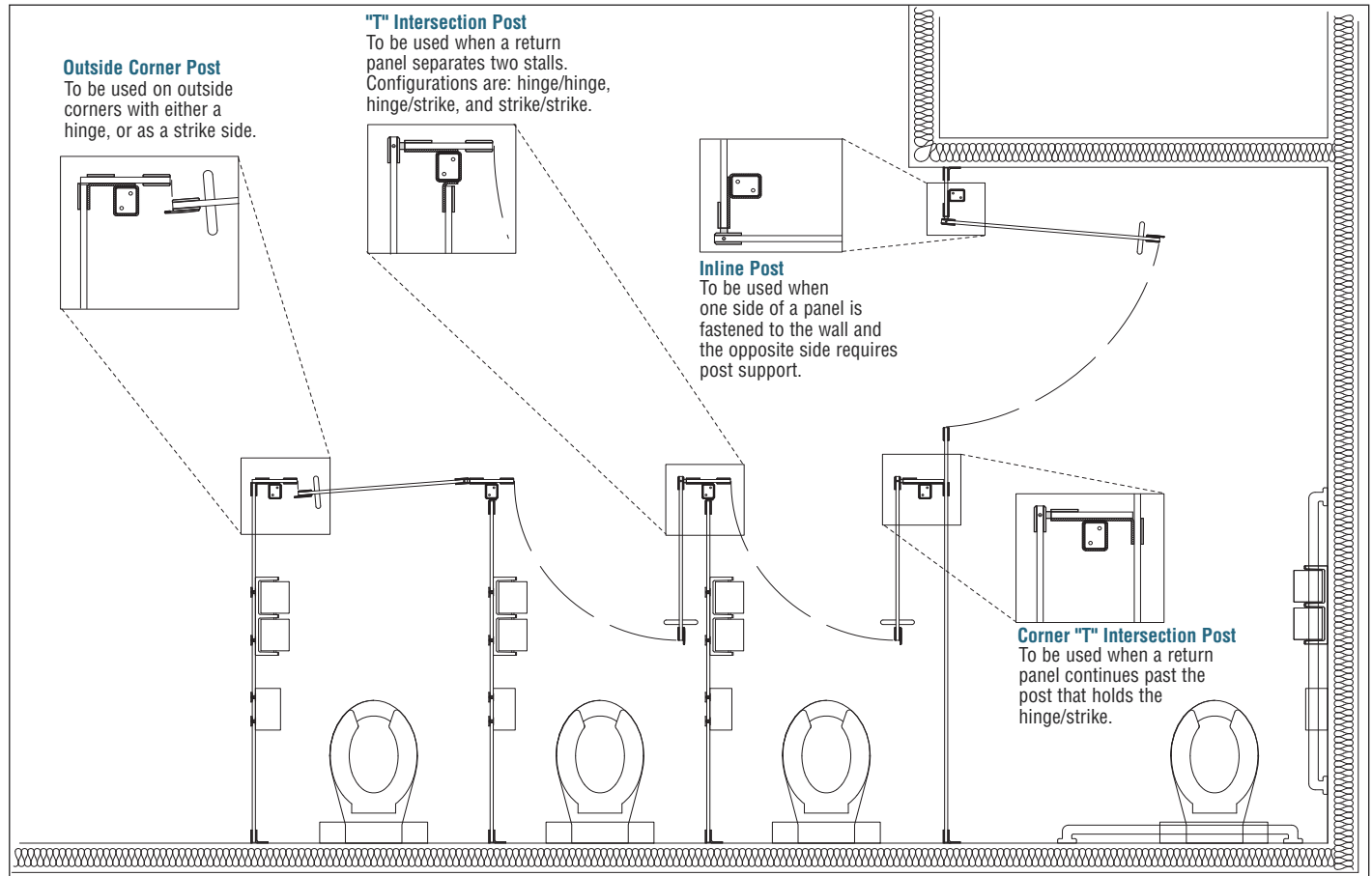
MODEL P190SCA
Lock

MODEL P190SCB
Receiver

LOCK CAT. NO.	RECEIVER CAT. NO.	STOP PLATE CAT. NO.	FINISH
P190SCACH	P190SCBCH	P190SC3CH	Polished Chrome
P190SCABN	P190SCBBN	P190SC3BN	Brushed Nickel

Minimum order: 1 each. Locks, Receivers, and Stop Plates can be combined for quantity pricing.

CRL Frameless 'All-Glass' Custom Restroom Partition System



QUOTATION/ORDERING MENU

Fax to CRL's Shower Door Technical Staff along with your company information at fax number (800) 458-7496 (USA) or (323) 584-5293 (International)

NOTE: Further detailed drawings and specifications can be obtained at crlaurence.com or by contacting our Shower Door Technical Staff

1. HARDWARE COLOR

- Polished Stainless (Polished Chrome Appearance)
- Brushed Stainless (Brushed Nickel Appearance)
- Powder Coated – Specify Color

2. TIGHT FLOOR TO CEILING HEIGHT: _____

3. CEILING BACKING: _____
(Ceiling must have adequate backing to support system)

4. CHOICE OF 180° GLASS-TO-GLASS HINGES

- Cologne Series (Beveled Edges)
- Vienna Series (Square Corner)

5. GLASS HEIGHT: (CRL does not supply glass)

Glass height suggestion is 60" (1.52 m). Standard distance from floor to the bottom of the glass is 12" (305 mm).

6. OTHER HARDWARE REQUESTED

- Slide-Bolt (Specify Choice) _____
- Wall Brackets (Specify Choice) _____
- Handle or Knobs (Specify Choice) _____
- Other _____

7. QUANTITIES OF POST CONFIGURATIONS

- Outside Corner Post _____
- "T" Intersection Post _____
- Corner "T" Intersection Post _____
- Inline Post _____

8. ADDITIONAL NOTES:



2

Enclosure Accessories

- KNOBS
 - PULL HANDLES
 - TOWEL BARS
 - GLASS CLAMPS
 - U-CHANNELS
 - HEADERS
 - SUPPORT BARS
 - WATER SEALS
AND SWEEPS
 - SLIDING DOOR KITS
 - REPLACEMENT
HARDWARE
-

See other side for Section Index.

SECTION 2 INDEX

For a complete index to this catalog, turn to Section 5. To search for all CRL products, go to CRL Total Search at crlaurence.com.

135 Degree Glass Clamps	276J, 280J, 283J, 287J, 290J, 293J, 295J, 298J-300J
180 Degree Glass Clamps	276J-277J, 280J-281J, 284J, 287J, 290J, 293J, 298J-300J
90 Degree Glass Clamps	274J-276J, 278J-280J, 283J, 287J-290J, 294J, 296J-300J

A

Acrylic Pull Handles and Towel Bars	248J, 257J, 262J, 270J
Adhesive Tapes	327J
Adjustable Curved Shower Rods	317J
Adjustable Glass Clamps	285J, 295J
Aluminum Jamb With Clear Vinyl Wipe	326J

B

Back-to-Back Knobs	230J-235J
Back-to-Back Pull Handles	242J-250J
Back-to-Back Towel Bars	266J-270J
Ball Style Knobs	234J
Bars, Towel	260J-271J
Berlin Series Glass Clamps	297J
Beveled Style Glass Clamps	278J-281J
Blue Joint Framing Tape	327J
BM Series Pull Handles	242J
BM Series Towel Bars	252J-253J, 260J-261J, 266J
Bottom Guides for Framed Shower Doors	363J-366J
Bottom Guides for Frameless Shower Doors	339J, 343J, 345J
Bottom Rails With Wipes	323J
Bottom Sill, Frameless Shower Doors	338J, 342J, 345J
Bow-Tie Style Knobs	232J, 234J

C

Cabo Soft Slide Shower Door System	335J
Cathedral Series Glass Clamps	288J, 290J
Circular Style Pull Handles	243J
CK Series Sliding Shower Door Kits	336J-337J
Clamps, Glass	272J-300J
Classique Series Glass Clamps	289J
Clear Acrylic Handles and Towel Bars	248J, 257J, 262J, 270J
Co-Extruded Bottom Wipe	323J
Colonial Style Pull Handles and Towel Bars	244J, 255J, 263J, 268J
Combination Pull Handle/Towel Bar Sets	252J-257J
Contemporary Style Knobs	230J, 236J
Cottage Series Sliding Shower Door Kits	336J-343J
Crescent Grip Style Knobs	233J
Crescent Series Pull Handles and Towel Bars	245J, 264J, 267J
Crystal Knobs	238J
Cylinder Style Knobs	232J, 237J

D

Deep U-Channel	302J
Deluxe Header Kits	304J-307J
Deluxe Serenity Series Shower Door Kits	330J-331J
DK Series Sliding Shower Door Kits	340J-341J
Door	
Locks With Indicators	251J
Pull Handles	241J-250J
Pull Knobs	230J-240J
Seals and Sweeps	319J-326J
Stops	318J
Dry Glaze U-Channel	301J

E

EK Series Sliding Shower Door Kits	344J
Essence Series Rolling Shower Door Kits	328J-329J
Estate Series Glass Clamps	278J
Euro Style Knobs	235J
EZ-Adjust Header Kits	308J

F

Finger Pull Knob	261J
Fixed Panel Support Bars	310J
Fixed Panel U-Channel	301J-303J
Fixed Panel U-Clamps	282J, 287J, 299J
Flair Style Knobs	234J
Flush Ring Style Knobs	231J
Framed Shower Door Replacement Parts	368J-372J

Frameless Sliding Shower Door Kits	328J-346J
Frameless Vertical Post System	316J

G

Geneva Series Glass Clamps	288J
Geneva Series Transom Clamps	291J
Glass Clamps	272J-300J
Glass Clamps to Match Hinges	288J-289J, 296J-297J
Glass Door Handles	241J-250J
Glass Door Locks With Indicators	251J
Glass Knobs	235J, 238J
Glass-to-Glass 90 Degree Clamps	288J-289J, 296J-297J
Glass-to-Glass Support Bars	310J, 313J
Glue-On Knobs	238J
Grab Bars	271J
Grande Series Glass Clamps	289J

H

Handles for Shower Doors	241J-250J
Header Kits	304J-309J
Hydroslide Sliding Shower Door Kits	332J-334J

I

Instructions for Installing Knobs	240J
Instructions for Installing Pull Handles and Towel Bars	258J-259J

J

Joint Framing Tape	327J
Junior Cathedral Series Glass Clamps	296J, 300J
Junior Contemporary Style Knobs	231J
Junior Header Kits	309J
Junior Traditional Series Glass Clamps	299J

K

Kits, Sliding Shower Door	328J-346J
Knob Latch	235J
Knobs for Shower Doors	230J-240J

L

Ladder Style Pull Handles	247J
Laguna Series Pivot Door System	356J
Laguna Series Sliding Glass Door System	347J-355J
Locks for Glass Doors	251J

M

Magnetic Profile Door Seals	326J
Mini Bulb Style Knobs	237J
Mitered Corner Pull Handles and Towel Bars	246J, 265J, 269J
MK Series Sliding Shower Door Kits	346J
Monaco Series Glass Clamps	297J-298J
Mounting Brackets for Deluxe Headers	307J
Movable Transom Glass Clamps	277J, 281J, 291J-293J
MT Series Pull Handles and Towel Bars	246J, 256J, 265J, 269J

N

No-Drill Fixed Panel Clamps	286J
-----------------------------------	------

O

Oversized 90 Degree Glass Clamps	283J
Oversized Fixed Panel U-Clamps	282J

P

Petite Series Glass Clamps	297J
Pinnacle Series Glass Clamps	289J
Pinnacle Series Transom Clamps	291J
Polycarbonates and PVC Water Seals	319J-326J
Protruding Ring Style Knobs	231J
Pull Handle/Towel Bar Combinations	252J-257J
Pull Handles	241J-250J

R

Regular U-Channel	303J
Replacement Hardware for Shower Doors	357J-372J
Replacement Parts for Support Bars	311J-313J
Ribbed Bow-Tie Style Knobs	234J
RM Series Back-to-Back Pull Handles	247J

Roman Series Glass Clamps	287J-288J
Round Style Glass Clamps	286J

S

Sculptured Style Pull Handles	245J
SD Series Pull Handles and Towel Bars	243J, 254J, 262J, 267J
Seals and Sweeps	319J-326J
Shower Door	
Knobs	230J-240J
Pull Handles	241J-250J
Repair and Replacement Hardware	357J-372J
Sliding Kits	328J-346J
Thresholds	309J
U-Channel	301J-303J
Water Seals and Sweeps	319J-326J
Shower Rods	317J
Silicone Bulb Seal	325J
Single-Sided Knobs	236J-238J
Single-Sided Pull Handles	249J
Single-Sided Towel Bars	260J-265J
Sleeve-Over Glass Clamps	294J-295J
Sliding Shower Door Kits	328J-346J
Solid Brass Towel Bars	263J, 268J, 270J
Solid Glass Door Knobs	238J
Solid Pull Handles	244J-245J, 249J-250J, 255J
SQ Series Pull Handles and Towel Bars	246J, 256J, 265J, 269J
Square Style Glass Clamps	274J-277J
Square Style Knobs	233J
Stainless Steel Screws	303J
Standard Fixed Panel U-Clamps	282J
Standard Movable Transom Glass Clamps	292J-293J
Suite Series Sliding Shower Door Kits	344J-345J
Support Bars	310J-315J
Swinging Glass Door Lock	251J

T

Tape, Very Hi-Bond	327J
Thresholds	309J
Thru-Glass Pull Handle for Sliding Glass Doors	239J
Towel Bar Mounting Instructions	258J-259J
Towel Bars	260J-271J
Traditional Glass Clamps	282J-284J, 292J-295J
Traditional Style Knobs	230J, 236J
Translucent Tapes	327J
Translucent Vinyl Seals	324J-325J
Transom Clamps	277J, 281J, 291J-293J
Transparent Tapes	327J
Trianon Series Glass Clamps	296J

U

U-Channel	301J-303J
U-Clamps	282J, 287J, 299J
UV Adhesive	240J
UV Pull for Sliding Glass Doors	239J
UV Threaded Adapters	238J

V

Very Hi-Bond Tape	327J
Victorian Style Pull Handles and Towel Bars	244J, 255J, 263J, 268J
Vinyl Water Seals	324J-325J

W

Wall Mount Glass Clamps	274J-275J, 277J-279J, 281J-282J, 285J-290J, 292J, 294J, 296J-300J
Wall Mount Sliding Glass Door Assemblies	348J
Wall Mount Towel Bars	271J
Wall-to-Glass Support Bars	310J, 313J
Water Seals and Sweeps	319J-326J

SECTION 2 QUICK MENU

CRL23R has over 500 pages of products organized by specific product categories.
For the fastest way to find what you want, check our A to Z Product Index starting on page 566J.

KNOBS AND HANDLES PAGES 230J-250J



TOWEL AND GRAB BARS PAGES 252J-271J



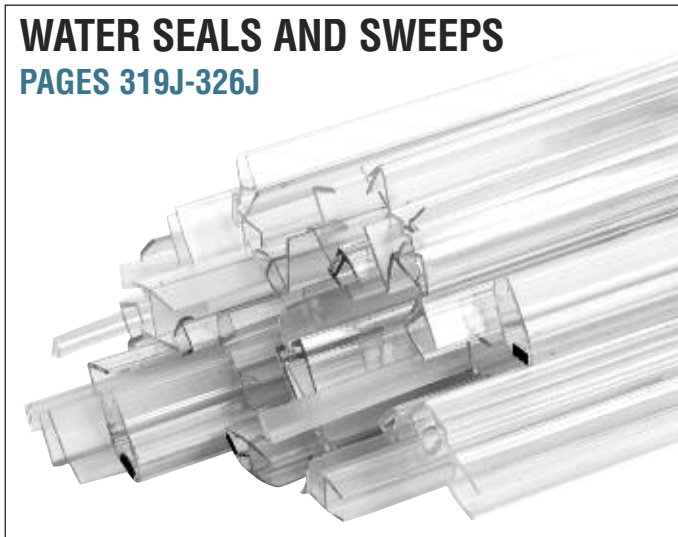
GLASS CLAMPS PAGES 272J-300J



CHANNELS AND HEADERS PAGES 301J-317J



WATER SEALS AND SWEEPS PAGES 319J-326J



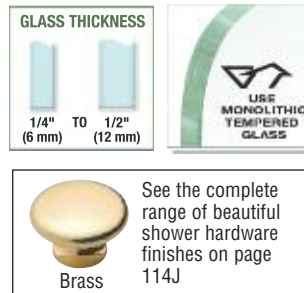
SLIDING SHOWER DOOR KITS PAGES 328J-346J



CRL Shower Door Knobs

- Back-to-Back and Single-Sided Models Available
- Through-Glass or Glue-On Styles to Choose From
- Stocked in Numerous Finishes, With Custom Finishes Available
- For 1/4" (6 mm) to 1/2" (12 mm) Thick Glass

Shower Door Knobs are a functional and elegant method of entering and exiting a shower enclosure, while maintaining a low profile and helping to emphasize the 'all-glass' look. Back-to-Back and Single-Sided models are offered, with mounting choices of through-the-glass or glue-on. Some models offer up to 20 stock finishes to choose from, and custom finishes are also available.

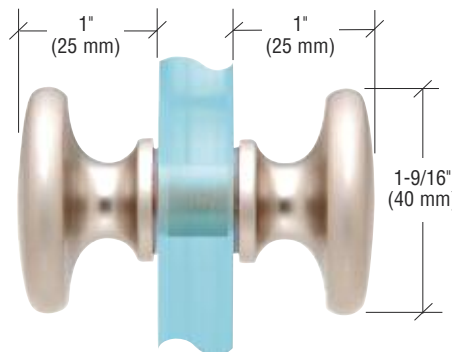


CRL Back-to-Back Style (Through-Glass Installation)

CRL Traditional Style Knobs

- Solid Brass Material
- Fits 1/4" to 1/2" (6 to 12 mm) Thick Tempered Glass

Our solid brass constructed Traditional Style Knobs provide a decorative method of entry and exit to a frameless shower enclosure, and add to the beauty of an 'all-glass' enclosure. Available in numerous stock finishes (custom finishes available), Traditional Style Knobs have an overall diameter of 1-9/16" (40 mm), and an overall height of 1" (25 mm) from the glass.



MODEL SDK100

SPECIFICATIONS:
Material: Solid Brass
Glass Thickness Range: 1/4" (6 mm) to 1/2" (12 mm)
Hole Diameter Required: 3/8" (10 mm) or 1/2" (12 mm)
See page 240J for simple installation instructions

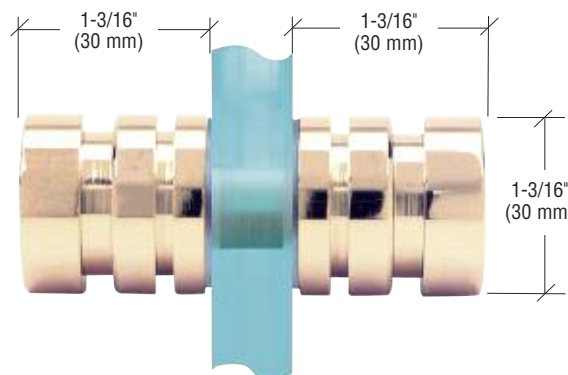
CAT. NO.	FINISH
SDK100CH	Polished Chrome
SDK100SC	Satin Chrome (Matte)
SDK100BSC	Brushed Satin Chrome
SDK100BN	Brushed Nickel
SDK100PN	Polished Nickel
SDK100SN	Satin Nickel
SDK100ABN	Antique Brushed Nickel
SDK100BR	Polished Brass
SDK100SB	Satin Brass
SDK100ABR	Antique Brass
SDK100UBR	Ultra Brass
SDK100ORB	Oil Rubbed Bronze
SDK100ABRZ	Antique Bronze
SDK100BBRZ	Brushed Bronze
SDK100ABCO	Antique Brushed Copper
SDK100GM	Gun Metal
SDK100GP	Gold Plated
SDK100W	White
SDK100BL	Black
SDK100RD	Red

Minimum order: 1 each. All Knobs can be combined for quantity pricing.

CRL Contemporary Style Knobs

- Solid Brass Material
- Fits 1/4" to 1/2" (6 to 12 mm) Thick Tempered Glass

The solid brass constructed Contemporary Style Knob has been a favorite of architects and designers for years. The sleek cylindrical shape blends into the aesthetics of the modern frameless shower enclosure. Available in nearly 20 stock finishes (custom finishes available), the Contemporary Knob measures 1-3/16" (30 mm) in diameter, and stands 1-3/16" (30 mm) from the glass.



MODEL SDK106

SPECIFICATIONS:
Material: Solid Brass
Glass Thickness Range: 1/4" (6 mm) to 1/2" (12 mm)
Hole Diameter Required: 3/8" (10 mm) or 1/2" (12 mm)
See page 240J for simple installation instructions

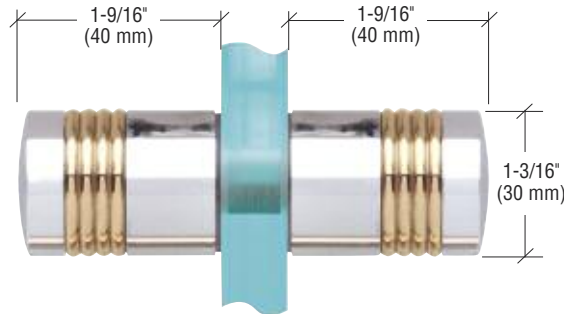
CAT. NO.	FINISH
SDK106CH	Polished Chrome
SDK106SC	Satin Chrome (Matte)
SDK106BSC	Brushed Satin Chrome
SDK106BN	Brushed Nickel
SDK106PN	Polished Nickel
SDK106SN	Satin Nickel
SDK106BR	Polished Brass
SDK106SB	Satin Brass
SDK106ABR	Antique Brass
SDK106UBR	Ultra Brass
SDK106ORB	Oil Rubbed Bronze
SDK106BBRZ	Brushed Bronze
SDK106ABCO	Antique Brushed Copper
SDK106GM	Gun Metal
SDK106GP	Gold Plated
SDK106W	White
SDK106BL	Black
SDK106RD	Red

Minimum order: 1 each. All Knobs can be combined for quantity pricing.

CRL Back-to-Back Style (Through-Glass Installation)

CRL Flush Ring Style Knobs

- Choice of High Contrast Dual Colored Knobs or Same Colored Rings

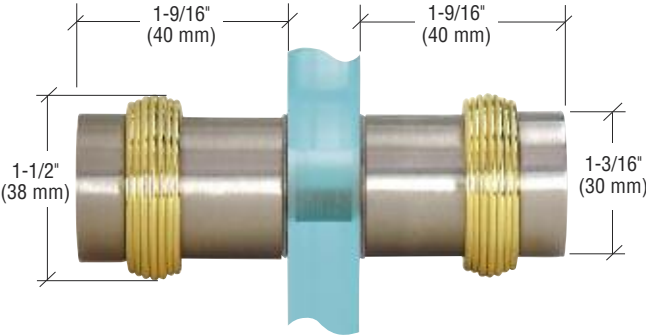


MODEL SDK118

The rings on this Knob are flush to the surface. Contrasting ring colors allow matching multiple finish decors. Knob measures 1-3/16" (30 mm) in diameter, and extends 1-9/16" (40 mm) from the door surface. Knob is made of solid brass in your choice of eight color combinations.

CRL Protruding Ring Style Knobs

- Choice of High Contrast Dual Colored Knobs or Same Colored Rings

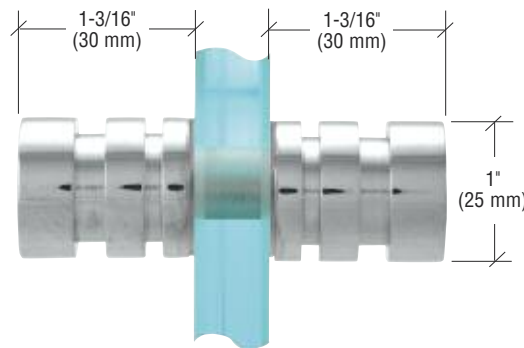


MODEL SDK643

The rings on the Protruding Style Knob are raised above the surface. Contrasting ring colors allow matching multiple finish decors. The Knob measures 1-3/16" (30 mm) in diameter, and extends 1-9/16" (40 mm) from the surface. Knob is made of solid brass in your choice of seven color combinations.

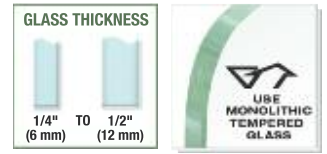
CRL Junior Contemporary Style Knobs

- A Smaller Version of Our Popular Contemporary Knob



MODEL SDK107

The solid brass Junior Contemporary Style Knob is a smaller version of our popular standard size Contemporary Knob. The narrow 1" (25 mm) diameter of the Knob assists in displaying as little hardware as possible. Knob stands 1-3/16" (30 mm) from the surface.



SPECIFICATIONS:

Glass Thickness Range: 1/4" (6 mm) to 1/2" (12 mm)
Hole Diameter Required: 3/8" (10 mm) or 1/2" (12 mm)
 See page 240J for simple installation instructions

CAT. NO.	KNOB FINISH/RING FINISH
SDK118CH	Polished Chrome/Polished Brass
SDK118CC	Polished Chrome/Polished Chrome
SDK118BN	Brushed Nickel/Polished Brass
SDK118BNBN	Brushed Nickel/Brushed Nickel
SDK118BR	Polished Brass/Polished Chrome
SDK118BB	Polished Brass/Polished Brass
SDK118GP	Gold Plated/Polished Chrome
SDK118W	White/Polished Brass

Minimum order: 1 each. All Knobs can be combined for quantity pricing.



SPECIFICATIONS:

Glass Thickness Range: 1/4" (6 mm) to 1/2" (12 mm)
Hole Diameter Required: 3/8" (10 mm) or 1/2" (12 mm)
 See page 240J for simple installation instructions

CAT. NO.	KNOB FINISH/RING FINISH
SDK643CH	Polished Chrome/Polished Brass
SDK643CC	Polished Chrome/Polished Chrome
SDK643BN	Brushed Nickel/Polished Brass
SDK643BR	Polished Brass/Polished Chrome
SDK643BB	Polished Brass/Polished Brass
SDK643GP	Gold Plated/Polished Chrome
SDK643W	White/Polished Brass

Minimum order: 1 each. All Knobs can be combined for quantity pricing.

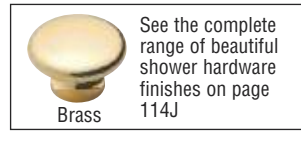
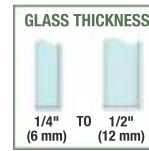
SPECIFICATIONS:

Glass Thickness Range: 1/4" (6 mm) to 1/2" (12 mm)
Hole Diameter Required: 3/8" (10 mm) or 1/2" (12 mm)
 See page 240J for simple installation instructions

CAT. NO.	KNOB FINISH/RING FINISH
SDK107CH	Polished Chrome
SDK107SC	Satin Chrome (Matte)
SDK107BSC	Brushed Satin Chrome
SDK107BN	Brushed Nickel
SDK107PN	Polished Nickel
SDK107BR	Polished Brass
SDK107ORB	Oil Rubbed Bronze
SDK107GP	Gold Plated
SDK107W	White

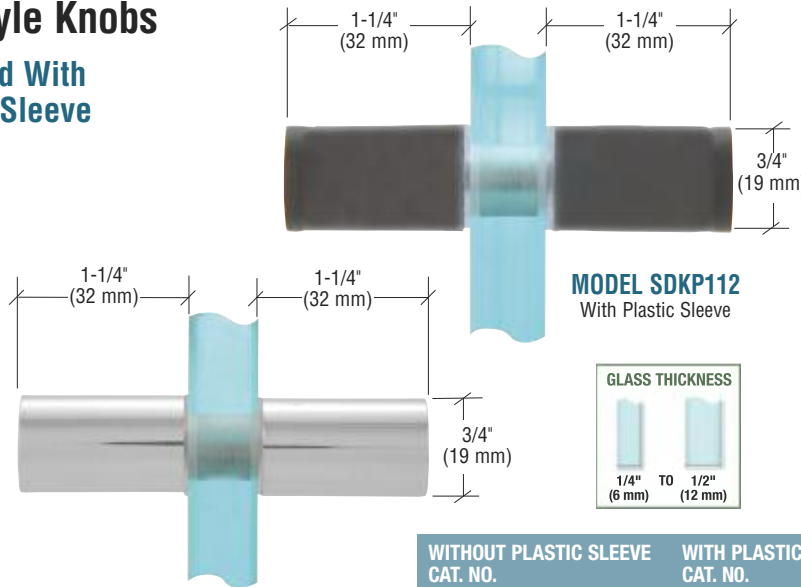
Minimum order: 1 each. All Knobs can be combined for quantity pricing.

CRL Back-to-Back Style (Through-Glass Installation)



CRL Cylinder Style Knobs

- New Model Offered With Protective Plastic Sleeve



SPECIFICATIONS:

Glass Thickness Range:
1/4" (6 mm) to 1/2" (12 mm)
Hole Diameter Required:
3/8" (10 mm) or 1/2" (12 mm)
See page 240J for simple installation instructions

MODEL SDK112
Without Plastic Sleeve

MODEL SDKP112
With Plastic Sleeve

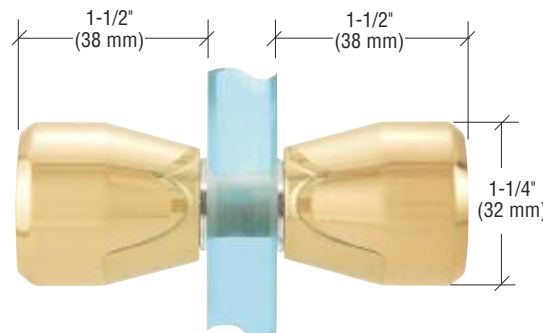
WITHOUT PLASTIC SLEEVE CAT. NO.	WITH PLASTIC SLEEVE CAT. NO.	FINISH
SDK112CH	SDKP112CH	Polished Chrome
SDK112SC	SDKP112SC	Satin Chrome (Matte)
SDK112BSC	SDKP112BSC	Brushed Satin Chrome
SDK112BN	SDKP112BN	Brushed Nickel
SDK112PN	SDKP112PN	Polished Nickel
SDK112BR	SDKP112BR	Polished Brass
SDK112SB	SDKP112SB	Satin Brass
SDK112ABR	SDKP112ABR	Antique Brass
SDK112ORB	SDKP112ORB	Oil Rubbed Bronze
SDK112BRZ	SDKP112BRZ	Brushed Bronze
SDK112W	SDKP112W	White

Minimum order: 1 each. All Knobs can be combined for quantity pricing.

Our Cylinder Style Knob adds a simple elegance to a frameless shower enclosure. The new Plastic Sleeve Model is ideal for use on sliding bypass shower doors to protect the knob surface. The sleek, cylindrical shape is functional without detracting from the beauty of an 'all-glass' door. Knob diameter is 3/4" (19 mm), and it stands 1-1/4" (32 mm) from the glass surface. Stocked in ten beautiful finishes, with custom finishes available on request.

CRL "Bow-Tie" Style Knobs

- Provides a Sturdy Grip for Frameless Shower Doors



MODEL SDK109



SPECIFICATIONS:

Glass Thickness Range:
1/4" (6 mm) to 1/2" (12 mm)
Hole Diameter Required:
3/8" (10 mm) or 1/2" (12 mm)
See page 240J for simple installation instructions

CAT. NO.	FINISH
SDK109CH	Polished Chrome
SDK109SC	Satin Chrome (Matte)
SDK109BSC	Brushed Satin Chrome
SDK109BN	Brushed Nickel
SDK109PN	Polished Nickel
SDK109SN	Satin Nickel
SDK109BR	Polished Brass
SDK109SB	Satin Brass
SDK109ABR	Antique Brass
SDK109ORB	Oil Rubbed Bronze
SDK109W	White

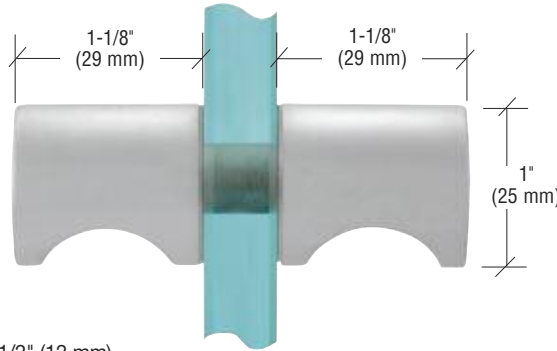
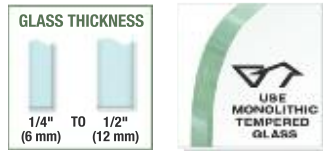
Minimum order: 1 each. All Knobs can be combined for quantity pricing.

The "Bow-Tie" Style Knob offers eye-catching appeal to a frameless shower door. Knob measures 1-1/4" (32 mm) in diameter, and stands 1-1/2" (38 mm) from the glass surface, providing a sturdy grip. Back-to-Back configuration "Bow-Tie" Style Knobs are available in eleven beautiful finishes to match most any bathroom décor. Custom finishes are available on request.

CRL Back-to-Back Style (Through-Glass Installation)

CRL Crescent Grip Style Knobs

- Concave Area Allows Easy Gripping Action
- The Choice of Many Architects and Designers



SPECIFICATIONS:

Glass Thickness Range: 1/4" (6 mm) to 1/2" (12 mm)
Hole Diameter Required: 3/8" (10 mm) or 1/2" (12 mm)
 See page 240J for simple installation instructions

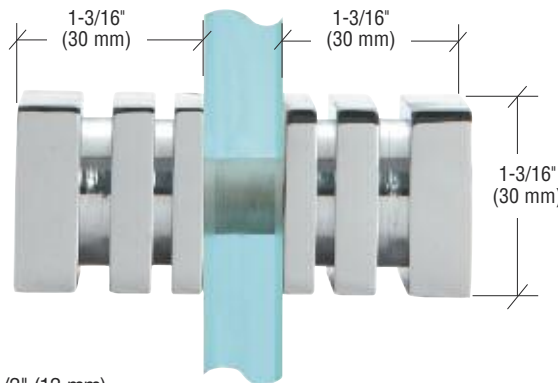
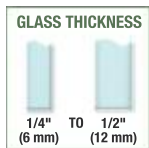
Our Crescent Grip Style Knob gives a firm grip and designer styling to a frameless shower door. Knob measures 1" (25 mm) in diameter, and stands 1-1/8" (29 mm) from the glass surface. Back-to-Back configuration Crescent Grip Style Knobs are suitable for most any bathroom décor, and are stocked in nine beautiful finishes. Custom finishes are available on request.

CAT. NO.	FINISH
SDK140CH	Polished Chrome
SDK140SC	Satin Chrome (Matte)
SDK140BSC	Brushed Satin Chrome
SDK140BN	Brushed Nickel
SDK140PN	Polished Nickel
SDK140BR	Polished Brass
SDK140ABR	Antique Brass
SDK140ORB	Oil Rubbed Bronze
SDK140BL	Black

Minimum order: 1 each. All Knobs can be combined for quantity pricing.

CRL Square Style Knobs

- Square Shape to Match Configuration of Geneva, Vienna, Concord, Cardiff and Other Square Cornered CRL Hinges
- Attractive Ribbed Appearance



SPECIFICATIONS:

Glass Thickness Range: 1/4" (6 mm) to 1/2" (12 mm)
Hole Diameter Required: 3/8" (10 mm) or 1/2" (12 mm)
 See page 240J for simple installation instructions

The new solid brass Square Style Knob will be a favorite of architects, designers, and homeowners who wish to match the square cornered construction of such popular CRL Hinges at the Geneva, Vienna, Concord, Cardiff, and Junior Geneva Series. The ribbed appearance will add to the appeal and create a beautifully aesthetic appearance. The Square Style Knob measures 1-3/16" (30 mm) in diameter, and stands 1-3/16" (30 mm) from the surface of the glass. Stocked in numerous popular stock finishes, the Square Style Knob can also be ordered in custom finishes.

CAT. NO.	FINISH
SDK160CH	Polished Chrome
SDK160SC	Satin Chrome (Matte)
SDK160BN	Brushed Nickel
SDK160BR	Polished Brass
SDK160ORB	Oil Rubbed Bronze

Minimum order: 1 each. All Knobs can be combined for quantity pricing.

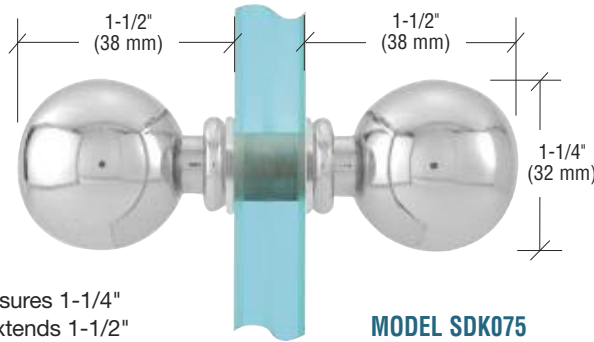
CRL SHOWER DOOR KNOBS

For Pricing Visit crlaurence.com or Call Us Toll Free at the Phone Numbers Shown on the Back Cover

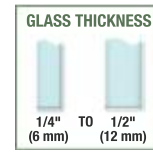
CRL Back-to-Back Style (Through-Glass Installation)

CRL Ball Style Knobs

- A Classic Shape for Use With Frameless Shower Doors or Display Cabinets



Our Ball Style Knob measures 1-1/4" (32 mm) in diameter, and extends 1-1/2" (38 mm) from the door surface. Knob is made of solid brass in your choice of nine finishes.



SPECIFICATIONS:

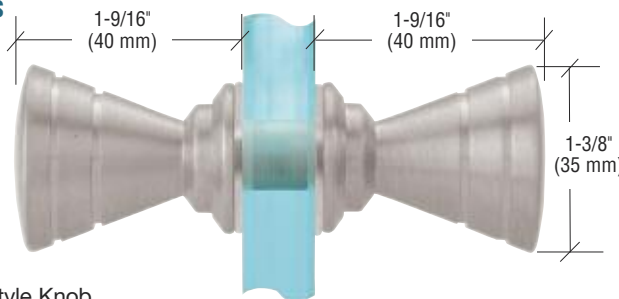
Glass Thickness Range: 1/4" (6 mm) to 1/2" (12 mm)
Hole Diameter Required: 3/8" (10 mm) or 1/2" (12 mm)
 See page 240J for simple installation instructions

CAT. NO.	FINISH
SDK075CH	Polished Chrome
SDK075SC	Satin Chrome (Matte)
SDK075BSC	Brushed Satin Chrome
SDK075BN	Brushed Nickel
SDK075PN	Polished Nickel
SDK075BR	Polished Brass
SDK075SB	Satin Brass
SDK075ORB	Oil Rubbed Bronze
SDK075W	White

Minimum order: 1 each. All Knobs can be combined for quantity pricing.

CRL Ribbed Bow-Tie Style Knobs

- Ribbed Indentations Accent the Finish Beautifully



The Ribbed Bow-Tie Style Knob measures 1-3/8" (35 mm) in diameter, and extends 1-9/16" (40 mm) from the door surface. Knob is made of solid brass in your choice of nine finishes.

SPECIFICATIONS:

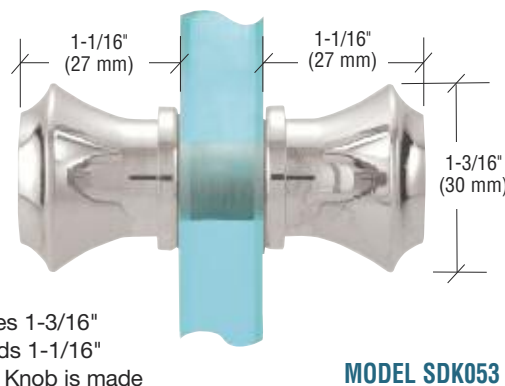
Glass Thickness Range: 1/4" (6 mm) to 1/2" (12 mm)
Hole Diameter Required: 3/8" (10 mm) or 1/2" (12 mm)
 See page 240J for simple installation instructions

CAT. NO.	FINISH
SDK046CH	Polished Chrome
SDK046SC	Satin Chrome (Matte)
SDK046BSC	Brushed Satin Chrome
SDK046BN	Brushed Nickel
SDK046PN	Polished Nickel
SDK046BR	Polished Brass
SDK046SB	Satin Brass
SDK046ORB	Oil Rubbed Bronze
SDK046W	White

Minimum order: 1 each. All Knobs can be combined for quantity pricing.

CRL Flair Style Knobs

- Gently Curved Sides With a Flat End Surface Will Match Many Décors



The Flair Style Knob measures 1-3/16" (30 mm) in diameter, and extends 1-1/16" (27 mm) from the door surface. Knob is made of solid brass in your choice of nine finishes.

SPECIFICATIONS:

Glass Thickness Range: 1/4" (6 mm) to 1/2" (12 mm)
Hole Diameter Required: 3/8" (10 mm) or 1/2" (12 mm)
 See page 240J for simple installation instructions

CAT. NO.	FINISH
SDK053CH	Polished Chrome
SDK053SC	Satin Chrome (Matte)
SDK053BSC	Brushed Satin Chrome
SDK053BN	Brushed Nickel
SDK053PN	Polished Nickel
SDK053BR	Polished Brass
SDK053SB	Satin Brass
SDK053ORB	Oil Rubbed Bronze
SDK053W	White

Minimum order: 1 each. All Knobs can be combined for quantity pricing.



C.R. LAURENCE COMPANY

crlaurence.com | usalum.com

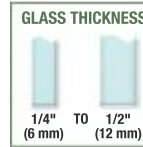
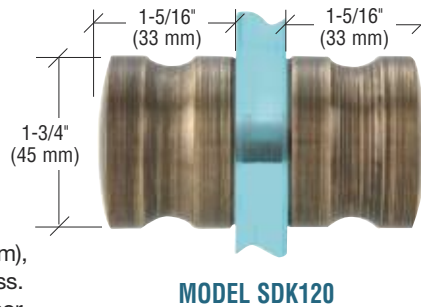
234J | crlaurence.ca crlaurence.com.au crlaurence.co.uk crlaurence.de crlaurence.eu

CRL Back-to-Back Style (Through-Glass Installation)

CRL Euro Style Knobs

- Elegant Style With a Larger Gripping Surface
- Finishes to Match Popular Bathroom Décor

The Euro Style Knob is an elegant brass constructed type preferred by European designers. The larger size of this Knob allows easy gripping. Knob diameter is 1-3/4" (45 mm), and it protrudes 1-5/16" (33 mm) from the glass. Ten beautiful finishes makes matching the décor of most bathrooms easy.



Brass

See the complete range of beautiful shower hardware finishes on page 114J



SPECIFICATIONS:

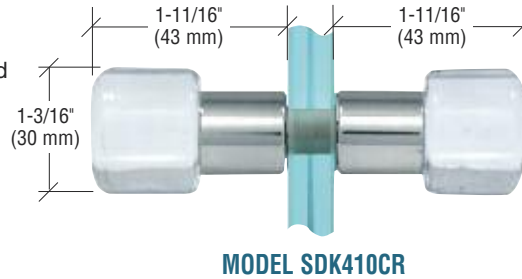
Glass Thickness Range: 1/4" (6 mm) to 1/2" (12 mm)
Hole Diameter Required: 1/2" (12 mm)
 See page 240J for simple installation instructions

CAT. NO.	FINISH
SDK120CH	Polished Chrome
SDK120SC	Satin Chrome (Matte)
SDK120BN	Brushed Nickel
SDK120PN	Polished Nickel
SDK120BR	Polished Brass
SDK120ABR	Antique Brass
SDK120ORB	Oil Rubbed Bronze
SDK120GP	Gold Plated
SDK120W	White
SDK120BL	Black

Minimum order: 1 each. All Knobs can be combined for quantity pricing.

CRL Glass Knob

This Glass Knob provides a clean and transparent look, as it blends the Knob and door together for a see-through appearance. It has a chrome insert for added beauty. Knob diameter is 1-3/16" (30 mm), and it protrudes 1-11/16" (43 mm) from the glass.



- Glass Knob Blends Into Door to Allow Clean, See-Through Appearance

SPECIFICATIONS:

Glass Thickness Range: 1/4" (6 mm) to 1/2" (12 mm)
Hole Diameter Required: 3/8" (10 mm)
 See page 240J for simple installation instructions

CAT. NO.	DESCRIPTION
SDK410CR	Glass Knob with Chrome Plated Ends

Minimum order: 1 each. All Knobs can be combined for quantity pricing.

CRL Knob Latch

- Provides Positive Closure by Latching Door in Glass-to-Wall or Glass-to-Glass Installations
- Centers the Door in Out-of-Alignment Situations Caused by Various Job Site Conditions



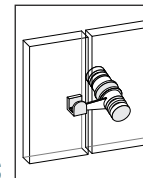
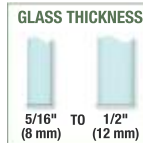
MODEL LAT001

180 Degree Model With 2-1/2" (63 mm) Throw Extension Shown With J-Hook for Glass-to-Glass Installation

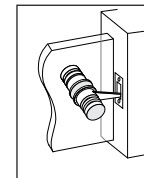


MODEL LAT135

135 Degree Model With 2" (51 mm) Throw Extension Shown With J-Hook for Glass-to-Glass Installation



Glass-to-Glass Inside View



Glass-to-Wall Inside View



Tapered Strike for Glass-to-Wall Installation

SPECIFICATIONS:

Glass Thickness Range: 5/16" (8 mm) to 1/2" (12 mm)
Hole Diameter Required: 7/8" (22 mm)
 See page 240J for simple installation instructions

NOTE: LAT001 Knob Latch does not include mounting screws for the tapered strike, due to variations in mounting surfaces. Customer should choose a mounting screw appropriate to surface type.

180 DEGREE CAT. NO.	135 DEGREE CAT. NO.	FINISH
LAT001CH	LAT135CH	Polished Chrome
LAT001SC	LAT135SC	Satin Chrome (Matte)
LAT001BSC	LAT135BSC	Brushed Satin Chrome
LAT001BN	LAT135BN	Brushed Nickel
LAT001PN	LAT135PN	Polished Nickel
LAT001BR	LAT135BR	Polished Brass
LAT001ORB	LAT135ORB	Oil Rubbed Bronze
LAT001PCO	---	Polished Copper
LAT001GP	LAT135GP	Gold Plated
LAT001W	LAT135W	White

Minimum order: 1 each. All Knobs can be combined for quantity pricing.

The Knob Latch assists in latching and centering a door in either glass-to-wall or glass-to-glass installations. It is very helpful in job conditions where a slightly out of alignment situation exists, and positive closure to zero degrees is needed. An internal three-point ball bearing index mechanism keeps the Knob Latch from "free-spinning." The Knob Latch is operational from both sides of the door. Knob measures 1-3/16" (30 mm) in diameter, and stands 1-1/2" (38 mm) from the surface of the glass. It includes a Tapered Strike (180 Degree Model only) for glass-to-wall installation, and a J-Hook for glass-to-glass installations. J-Hook is adhered using our water clear UV70330 Ultraviolet Adhesive (see page 495J).

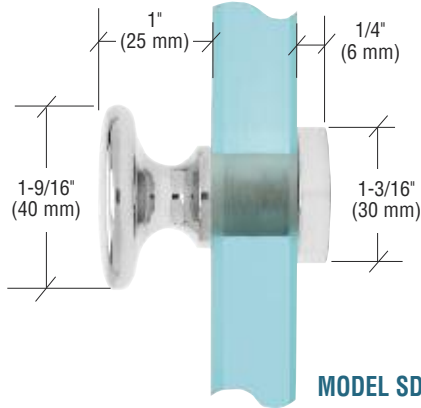
CRL SHOWER DOOR KNOBS

For Pricing Visit crlaurence.com or Call Us Toll Free at the Phone Numbers Shown on the Back Cover

CRL Single-Sided Style (Through-Glass Installation)

CRL Traditional Style Knobs

- Use for Frameless Shower Doors or Display Cabinets

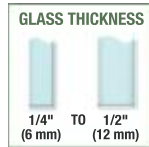


MODEL SDK200

SPECIFICATIONS:

Glass Thickness Range: 1/4" (6 mm) to 1/2" (12 mm)
Hole Diameter Required: 3/8" (10 mm) or 1/2" (12 mm)
 See page 240J for simple installation instructions

Our solid brass Traditional Style Knobs are available in over 20 popular finishes. Overall diameter of Knob is 1-9/16" (40 mm), overall height is 1" (25 mm) from glass. End cap for single-sided Knob stands 1/4" (6 mm) from the door surface.



FINISHES:



Most models are stocked in the finishes shown here, others are available on special order.

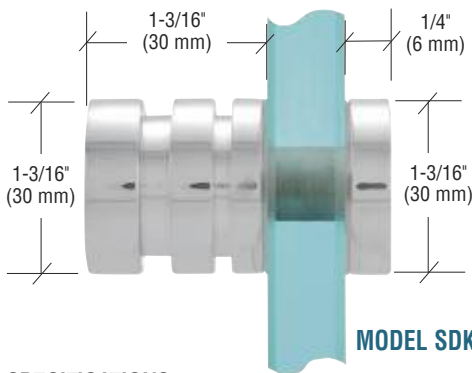


CAT. NO.	FINISH	CAT. NO.	FINISH
SDK200CH	Polished Chrome	SDK200ABRZ	Antique Bronze
SDK200SC	Satin Chrome (Matte)	SDK200BBRZ	Brushed Bronze
SDK200BSC	Brushed Satin Chrome	SDK200ABC0	Antique Brushed Copper
SDK200BN	Brushed Nickel	SDK200BC0	Brushed Copper
SDK200PN	Polished Nickel	SDK200PC0	Polished Copper
SDK200SN	Satin Nickel	SDK200GM	Gun Metal
SDK200ABN	Antique Brushed Nickel	SDK200GP	Gold Plated
SDK200BR	Polished Brass	SDK200W	White
SDK200SB	Satin Brass	SDK200BL	Black
SDK200ABR	Antique Brass	SDK200RD	Red
SDK2000RB	Oil Rubbed Bronze		

Minimum order: 1 each. All Knobs can be combined for quantity pricing.

CRL Contemporary Style Knobs

- Use for Frameless Shower Doors or Display Cabinets

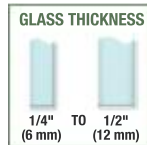


MODEL SDK206

SPECIFICATIONS:

Glass Thickness Range: 1/4" (6 mm) to 1/2" (12 mm)
Hole Diameter Required: 1/2" (12 mm)
 See page 240J for simple installation instructions

Solid brass Contemporary Style Knobs come in over a dozen beautiful finishes. Knobs measure 1-3/16" (30 mm) in diameter, and stand 1-3/16" (30 mm) from the door surface. End cap for single-sided Knob stands 1/4" (6 mm) from the door surface.



CAT. NO.	FINISH	CAT. NO.	FINISH
SDK206CH	Polished Chrome	SDK2060RB	Oil Rubbed Bronze
SDK206SC	Satin Chrome (Matte)	SDK206BBRZ	Brushed Bronze
SDK206BSC	Brushed Satin Chrome	SDK206GM	Gun Metal
SDK206BN	Brushed Nickel	SDK206GP	Gold Plated
SDK206PN	Polished Nickel	SDK206W	White
SDK206BR	Polished Brass	SDK206BL	Black
SDK206SB	Satin Brass	SDK206RD	Red
SDK206ABR	Antique Brass		

Minimum order: 1 each. All Knobs can be combined for quantity pricing.



C.R. LAURENCE COMPANY

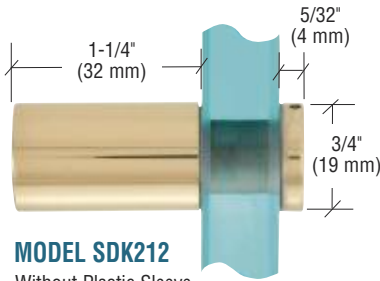
crlaurence.com | usalum.com

236J | crlaurence.ca crlaurence.com.au crlaurence.co.uk crlaurence.de crlaurence.eu

CRL Single-Sided Style (Through-Glass Installation)

CRL Cylinder Style Knobs

- Typically Used With Frameless Slider Shower Door Kits
- Available With or Without Plastic Protective Sleeve



MODEL SDK212

Without Plastic Sleeve

SPECIFICATIONS

Glass Thickness Range: 1/4" (6 mm) to 1/2" (12 mm)
Hole Diameter Required: 3/8" (10 mm) or 1/2" (12 mm)
 See page 240J for simple installation instructions

Our Cylinder Style Knob adds a simple elegance to a frameless shower enclosure. The new Plastic Sleeve Model is ideal for use on sliding bypass shower doors to protect the knob surface. Knob diameter is 3/4" (19 mm), and it stands 1-1/4" (32 mm) from the glass surface. The end cap for the single-sided model stands only 5/32" (4 mm) from the glass surface.

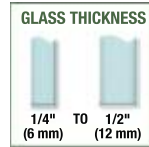


MODEL SDKP212
With Plastic Sleeve

FINISHES:



Most models are stocked in the finishes shown here, others are available on special order.

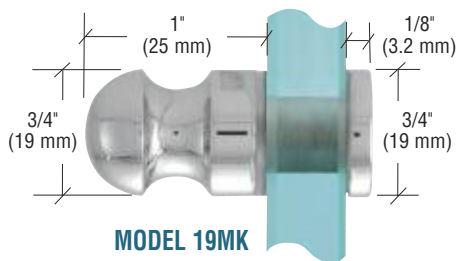


WITHOUT PLASTIC SLEEVE CAT. NO.	WITH PLASTIC SLEEVE CAT. NO.	FINISH
SDK212CH	SDKP212CH	Polished Chrome
SDK212SC	SDKP212SC	Satin Chrome (Matte)
SDK212BSC	SDKP212BSC	Brushed Satin Chrome
SDK212BN	SDKP212BN	Brushed Nickel
SDK212PN	SDKP212PN	Polished Nickel
SDK212BR	SDKP212BR	Polished Brass
SDK212SB	SDKP212SB	Satin Brass
SDK212ABR	SDKP212ABR	Antique Brass
SDK212ORB	SDKP212ORB	Oil Rubbed Bronze
SDK212BBRZ	SDKP212BBRZ	Brushed Bronze
SDK212W	SDKP212W	White

Minimum order: 1 each. All Knobs can be combined for quantity pricing.

CRL Mini Bulb Style Knobs

- A Petite and Practical Knob for Frameless Shower Doors, Sliding Cabinet Doors, and Display Cabinets

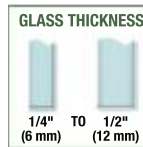


MODEL 19MK

SPECIFICATIONS

Glass Thickness Range: 1/4" (6 mm) to 1/2" (12 mm)
Hole Diameter Required: 1/2" (12 mm)
 See page 240J for simple installation instructions

The Mini Bulb Style Knob is a brass constructed, single-sided model with a blind fastener end cap. Knob extends 1" (25 mm) from surface, and measures 3/4" (19 mm) in diameter. 1/8" (3.2 mm) low profile end cap makes it perfect for sliding doors, standard swinging doors or cabinet doors. Stocked in 12 beautiful finishes. Custom finishes are available upon request.



FINISHES:



Most models are stocked in the finishes shown here, others are available on special order.



CAT. NO.	FINISH	CAT. NO.	FINISH
19MKCH	Polished Chrome	19MKBR	Polished Brass
19MKSC	Satin Chrome (Matte)	19MKABR	Antique Brass
19MKBSC	Brushed Satin Chrome	19MKORB	Oil Rubbed Bronze
19MKBN	Brushed Nickel	19MKABRZ	Antique Bronze
19MKPN	Polished Nickel	19MKGP	Gold Plated
19MKSN	Satin Nickel	19MKW	White

Minimum order: 1 each. All Knobs can be combined for quantity pricing.

CRL UV Threaded Adapters

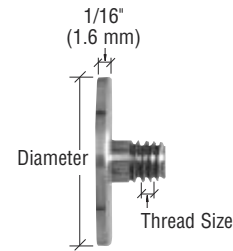
- Available in Four Popular Thread Sizes
- Affix Standoffs, Knobs, Pulls, Towel Bars to Glass Without Drilling Holes
- Fabricated From 316 Stainless Steel

CRL's new UV Threaded Adapters will not only substantially expand your UV business and glass hardware opportunities, but will also save glass fabrication time and expense. Use the Adapters to install glass signage using standoff bases, knobs for glass door cabinets or showers, towel bars or handles without drilling holes. Quickly and easily mount hardware in either new construction or existing installations using CRL's large selection of compatible hardware and UV adhesives, curing lamps, fixation devices, and cleaning supplies (see pages 491J-510J).

UV Adapters are available in seven different diameters and four thread sizes to accommodate almost any requirement. UV Adapters have a bonding plate thickness of 1/16" (1.6 mm). For additional information regarding hardware that can be used with our UV Adapter, contact CRL Glass and Glazing Technical Sales.



Affix knobs and handles to glass doors without drilling



CAT. NO.	DIAMETER	THREAD SIZE	QTY
UV34ADP	3/4" (19 mm)	1/4"-20 UNC	1 Each
UV1ADP	1" (25.4 mm)	1/4"-20 UNC	1 Each
UV1316ADP	1-3/16" (30.2 mm)	1/4"-20 UNC	1 Each
UV114ADP	1-1/4" (31.8 mm)	5/16"-18 UNC	1 Each
UV112ADP	1-1/2" (38.1 mm)	3/8"-16 UNC	1 Each
UV2ADP	2" (50.8 mm)	3/8"-16 UNC	1 Each
UV6169	5/8" (16 mm)	M4	4/Pack

Minimum order: 1 each. Sizes can be combined for quantity pricing.

CRL UV Glass Knobs

- Knobs Blend With 'All-Glass' Doors



CAT. NO. UV367

1-3/16" (30 mm) Diameter;
1" (25 mm) Height



CAT. NO. UVK01

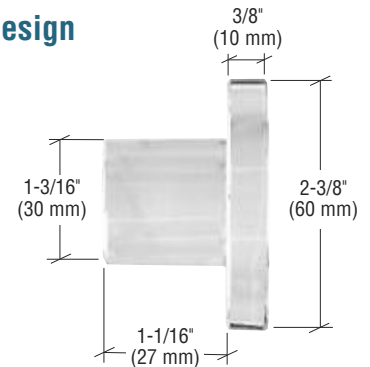
1-9/16" (40 mm) Diameter;
1-5/16" (33 mm) Height

CRL's UV Glass Knobs are perfect for your 'all-glass' cabinet or showcase doors. The clean, simple lines make for a great appearance and creates a total see-through look. Minimum order is one each.

CRL UV Solid Glass Knob

- Transparent Crystal Design

CRL's Solid Glass UV Knob is beautifully styled and can provide several applications: Door Knob, Foot for Glass Showcase, or Robe Hook on a Shower Door. Knob extends 1-1/2" (38 mm) from the glass surface. Use UV702 Adhesive for bonding Glass-to-Glass (see page 499J). Minimum order is one each.

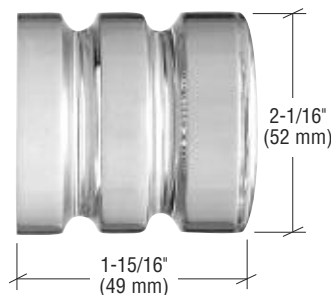


CAT. NO. SDK061

CRL UV Contemporary Crystal Knob

- Transparent and Elegant

The Contemporary Style UV Crystal Knob and a glass door blend together for a see-through appearance. Use UV702 Adhesive for bonding Glass-to-Glass (see page 499J). Minimum order is one each.

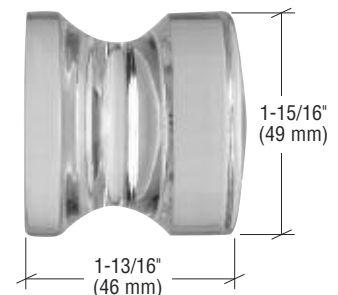


CAT. NO. SDK406CR

CRL UV Traditional Crystal Knob

- All Crystal Design

The Traditional Style UV Crystal Knob provides a clean and transparent look. Use UV702 Adhesive for bonding Glass-to-Glass (see page 499J). Minimum order is one each.



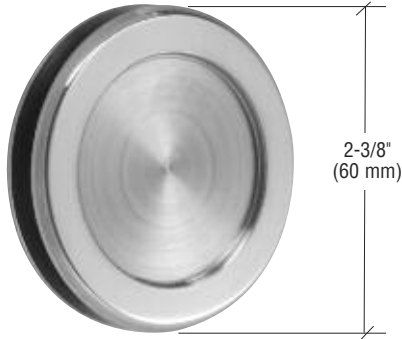
CAT. NO. SDK400CR

CRL UV Pull for Sliding Glass Doors

new



- No Holes Required in Glass
- Solid Stainless Steel
- Ideal for Sliding Glass Doors



FINISHES:



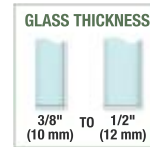
This CRL UV Pull for Sliding Glass Doors offers a unique design and easy application using our UV703 UV adhesive. No need to fabricate holes in the glass. Inside diameter measures 1-5/8" (41 mm), and the outside diameter is 2-3/8" (60 mm). Comes two pulls per box, for back-to-back mounting.

CAT. NO.	FINISH
1810PS	Polished Stainless
1810BS	Brushed Stainless

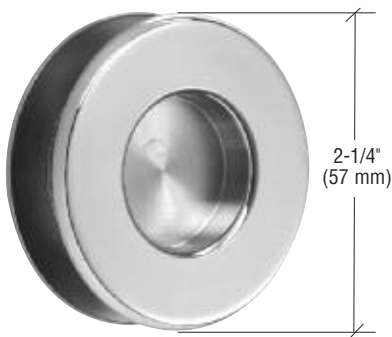
Minimum order: 1 box. All Pulls can be combined for quantity pricing.

CRL Thru-Glass Pull Handle for Sliding Glass Doors

new



- Low Profile
- Solid Stainless Steel
- Hole Required in Glass



FINISHES:



The CRL Thru-Glass Pull Handle has a recessed low profile design that screws together to install. Its solid stainless steel construction makes this a rugged yet elegant solution for a pull handle for a sliding glass door. The thickness of this Thru-Glass Pull doesn't impede movement in front of wall or glass sidelites as it allows for full door opening access. It is supplied with clear PVC gaskets to accommodate door glass from 3/8" to 1/2" (10 to 12 mm) thick. Requires a minimum 1-19/32" (40 mm) hole in glass panel for installation.

CAT. NO.	FINISH
1819PS	Polished Stainless
1819BS	Brushed Stainless

Minimum order: 1 each. All Pulls can be combined for quantity pricing.

CRL INSTALLATION INSTRUCTIONS

For Pricing Visit crlaurence.com or Call Us Toll Free at the Phone Numbers Shown on the Back Cover

CRL Installation Instructions for Back-to-Back and Single-Sided Knobs

• Glue-On Installation



1. Prepare both surfaces first by cleaning with a Cleaner and Degreaser, such as our Cat. No. CRL7528 or Cat. No. 20162.
2. Apply a small amount of Cat. No. UV70330 or UV349 UV Adhesive to the knob (just enough to cover the entire surface of the Knob when pressed against the glass door). A 1/4" (6 mm) diameter bead will usually suffice.
3. Move the Knob in a circular motion while pressing down to remove any small bubbles in the Adhesive.
4. Based on testing done in advance, use a UV Lamp to cure the Knob to the glass door just enough to provide an initial set.
5. Clean off any excess Adhesive that has oozed out around the Knob with a single edge razor blade (Cat. No. 51S). Any trace of Adhesive remaining should be removed by using Cat. No. CRL2032 General Purpose Solvent and Adhesive Remover while the Adhesive is still relatively soft after the initial set.
6. Fully cure the UV Adhesive with the UV Lamp by holding the lamp as close to the glass as possible. Prior testing with the UV Lamp is essential to determine full cure time as lamps vary based on strength of lamp, UV wavelength emitted, age of bulb, etc.



CAT. NO. UV70330
CRL Brand
UV Adhesive



CAT. NO. UV349
Loctite
UV Adhesive



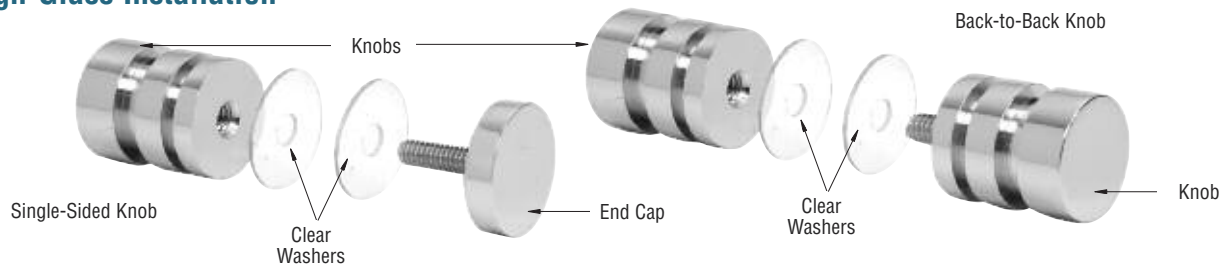
CAT. NO. CRL7528
CRL Brand
Cleaner and Degreaser



CAT. NO. 20162
Loctite
Cleaner and Degreaser

CRL Installation Instructions for Back-to-Back and Single-Sided Knobs

• Through-Glass Installation



1. The Single-Sided Knob consists of the Knob, and one End Cap with a threaded stud. The Back-to-Back Knob consists of two Knobs, one with a threaded stud. In addition to these hardware parts, there are two Clear Washers that act as a buffer between the hardware and glass.
2. Take the End Cap with the threaded stud (for single-sided mounting), or one side of the Knob with the stud protruding (for back-to-back mounting), and sleeve a Clear Washer on it.
3. From the inside of the shower, push the threaded stud through the hole in the glass.
4. Sleeve the second Clear Washer on this stud from the outside of the enclosure.
5. Place the Knob into position and thread the components together.



CRL Knob Latch Installation Instructions

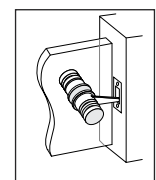
• Provides Positive Closure by Latching Door in Glass-to-Wall or Glass-to-Glass Installations

The Knob Latch is more detailed and has more mounting options than our standard Knobs. Information may be obtained in PDF format from our web site at crlaurence.com by entering the product number in the "Entering Your Search Words Here", then clicking on "Technical Drawings". Complete installation information on the Knob Latch and all other CRL Frameless Shower Door Hardware and Supplies may also be obtained by purchasing our SDT21 Frameless Shower Door Guide (see page 101J).

As always, if you have any installation questions, contact our Shower Technical Sales Department. They may be reached at (800) 421-6144 in the U.S., (877) 421-6144 from Canada, or (323) 588-1281 International. Ask for Ext. 7740. You may also contact us by e-mail from the crlaurence.com home page. Click on Contact Us, and then click on Technical Sales for Shower Products.



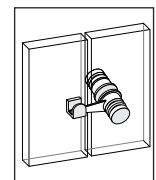
MODEL LAT001
180 Degree Latch



Glass-to-Wall
Inside View



MODEL LAT135
135 Degree Latch



Glass-to-Glass
Inside View

CRL Shower Door Pull Handles

- Choose From Back-to-Back and Single-Sided Models
- Tubular or Solid Brass Construction, Acrylic Models Also Available
- Over 20 Finish Choices in Some Models, With Custom Finishes Upon Request
- Styles to Fit 1/4" (6 mm) to 1/2" (12 mm) Thick Glass

FINISHES **new**



CRL's offering of quality Shower Door Pull Handles continues to grow, with numerous choices of styles to complement the décor of most any shower enclosure. Quality tubular or solid brass construction is offered in a variety of shapes and sizes, along with acrylic handles, a favorite of many.

Both Back-to-Back and Single-Sided Handles allow the user to choose the type of shower entry they desire. Some models are stocked in over 20 popular finishes, allowing color matching of modern traditional bathroom fixtures. Custom finishes are available upon request when something special is needed.

CRL Shower Door Pull Handles can be mounted on glass ranging from 1/4" (6 mm) to 1/2" (12 mm) thick. Installation is quick and easy. As always, our Shower Technical Sales Department is available to answer your questions and assist with design choices. They may be reached at (800) 421-6144 in the U.S., (877) 421-6144 from Canada, or (323) 588-1281 International. Ask for Ext. 7740. You may also contact us by e-mail from the crlaurence.com home page. Click on Contact Us, and then click on Technical Sales for Shower Products.

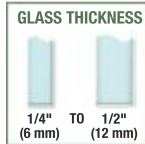
CRL SHOWER DOOR PULL HANDLES

For Pricing Visit crlaurence.com or Call Us Toll Free at the Phone Numbers Shown on the Back Cover

CRL BM Series Back-to-Back Tubular Pull Handles With Metal Washers

- Our Most Popular Handle Series
- Heavy 3/4" (19 mm) Diameter Tubular Construction
- Decorative Metal Washers Also Serve to Cover Any Hole Defects in Glass
- Numerous Finish Choices in 6" (152 mm) and 8" (203 mm) Sizes
- Custom Finishes Available

New Economical Polished and Brushed Stainless Handles.



SPECIFICATIONS:

Material: Heavy 3/4" (19 mm) Diameter Brass, or Stainless Steel Tubing (1.5 mil thick); 1-1/4" (32 mm) Diameter Washers

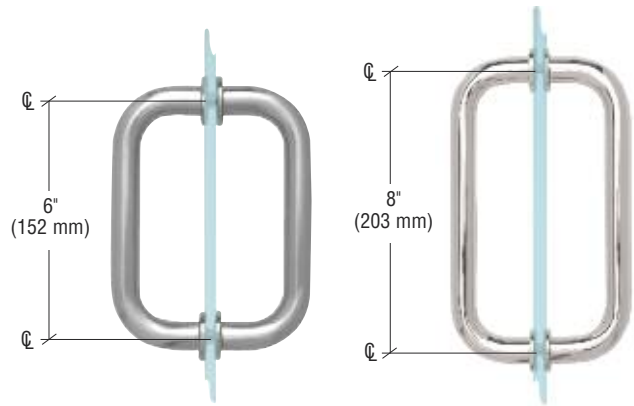
Glass Thickness Range: 1/4" (6 mm) to 1/2" (12 mm)

Hole Diameter Required: 1/2" (12 mm)

Center-to-Center Hole Spacing: 6" (152 mm); 8" (203 mm)

See page 259J for simple installation instructions

The BM Series of Back-to-Back Tubular Pull Handles With Metal Washers are constructed of heavy brass, or stainless steel tubing. Decorative metal back-up washers are included, as well as plastic washers to protect against glass-to-metal contact. Consists of one Pull for each side of the door (back-to-back).



MODEL BM6X6

MODEL BM8X8

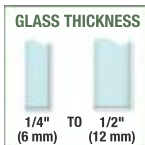
6" (152 MM) SIZE CAT. NO.	8" (203 MM) SIZE CAT. NO.	FINISH
BM6X6CH	BM8X8CH	Polished Chrome
BM6X6SC	BM8X8SC	Satin Chrome (Matte)
BM6X6BSC	BM8X8BSC	Brushed Satin Chrome
BM6X6BN	BM8X8BN	Brushed Nickel
BM6X6PN	BM8X8PN	Polished Nickel
BM6X6SN	BM8X8SN	Satin Nickel
BM6X6ABN	BM8X8ABN	Antique Brushed Nickel
BM6X6BR	BM8X8BR	Polished Brass
BM6X6SB	BM8X8SB	Satin Brass
BM6X6ORB	BM8X8ORB	Oil Rubbed Bronze
---	BM8X8PCO	Polished Copper
BM6X6W	BM8X8W	White
BM6X6PS	BM8X8PS	Polished Stainless
BM6X6BS	BM8X8BS	Brushed Stainless

Minimum order: 1 each. All Pull Handles can be combined for quantity pricing.

CRL BM Series Back-to-Back Tubular Pull Handles Without Metal Washers

- Our Most Popular Handle Series
- Heavy 3/4" (19 mm) Diameter Tubular Construction
- No Metal Washers Creates a Sleek, Continuous Profile of the 3/4" (19 mm) Pull Handle
- Numerous Finish Choices in 6" (152 mm) and 8" (203 mm) Sizes
- Custom Finishes Available

New Economical Polished and Brushed Stainless Handles.



SPECIFICATIONS:

Material: Heavy 3/4" (19 mm) Diameter Brass, or Stainless Steel Tubing (1.5 mil thick)

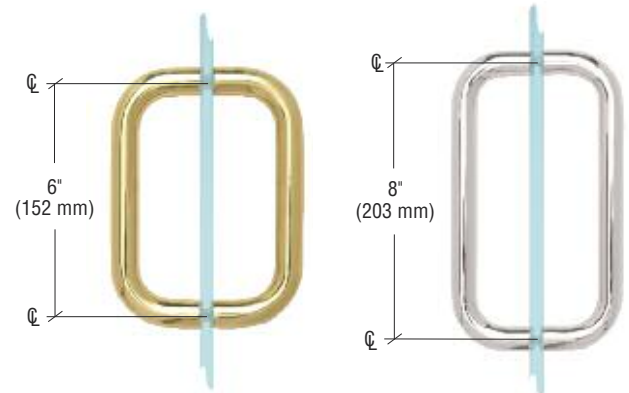
Glass Thickness Range: 1/4" (6 mm) to 1/2" (12 mm)

Hole Diameter Required: 1/2" (12 mm)

Center-to-Center Hole Spacing: 6" (152 mm); 8" (203 mm)

See page 259J for simple installation instructions

The BM Series of Back-to-Back Tubular Pull Handles Without Metal Washers are constructed of heavy brass or stainless steel tubing. These Pull Handles do not include decorative metal washers, although standard plastic washers are included to protect against glass-to-metal contact. Consists of one Pull for each side of the door (back-to-back).



MODEL BMNW6X6

MODEL BMNW8X8

6" (152 MM) SIZE CAT. NO.	8" (203 MM) SIZE CAT. NO.	FINISH
BMNW6X6CH	BMNW8X8CH	Polished Chrome
BMNW6X6SC	BMNW8X8SC	Satin Chrome (Matte)
BMNW6X6BSC	BMNW8X8BSC	Brushed Satin Chrome
BMNW6X6BN	BMNW8X8BN	Brushed Nickel
BMNW6X6PN	BMNW8X8PN	Polished Nickel
BMNW6X6SN	BMNW8X8SN	Satin Nickel
---	BMNW8X8ABN	Antique Brushed Nickel
BMNW6X6BR	BMNW8X8BR	Polished Brass
BMNW6X6SB	BMNW8X8SB	Satin Brass
BMNW6X6ORB	BMNW8X8ORB	Oil Rubbed Bronze
BMNW6X6W	BMNW8X8W	White
BMNW6X6PS	BMNW8X8PS	Polished Stainless
BMNW6X6BS	BMNW8X8BS	Brushed Stainless

Minimum order: 1 each. All Pull Handles can be combined for quantity pricing.

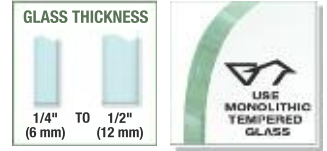


C.R. LAURENCE COMPANY

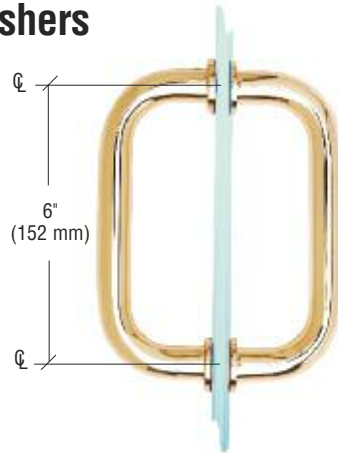
crlaurence.com | usalum.com

242J | crlaurence.ca crlaurence.com.au crlaurence.co.uk crlaurence.de crlaurence.eu

CRL SD Series Regular Style Tubular Pull Handles With Metal Washers



- Traditional Handle Appearance and Style
- Heavy 3/4" (19 mm) Diameter Tubular Construction
- Numerous Stock Finish Choices
- Custom Finishes Available



MODEL SDPR6

SPECIFICATIONS:

Material: Heavy 3/4" (19 mm) Diameter Brass Tubing (1.5 mil thick); 1-1/4" (32 mm) Diameter Washers
Glass Thickness Range: 1/4" (6 mm) to 1/2" (12 mm)
Hole Diameter Required: 1/2" (12 mm)
Center-to-Center Hole Spacing: 6" (152 mm)
 See page 259J for simple installation instructions

These Regular Style Shower Pulls are constructed of heavy wall brass tubing. Brass back-up washers and nylon spacer washers are included to protect against glass-to-metal contact. Consists of one Pull for each side of the door. Custom Pulls available on special order.

FINISHES:



Most models are stocked in the finishes shown here, others are available on special order.

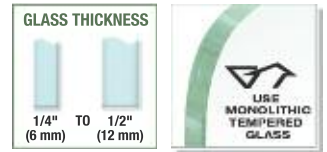
CAT. NO.	FINISH
SDPR6CH	Polished Chrome
SDPR6SC	Satin Chrome (Matte)
SDPR6BSC	Brushed Satin Chrome
SDPR6BN	Brushed Nickel
SDPR6PN	Polished Nickel
SDPR6SN	Satin Nickel
SDPR6BR	Polished Brass
SDPR6SB	Satin Brass
SDPR6ABR	Antique Brass
SDPR6UBR	Ultra Brass

Minimum order: 1 each. All Pull Handles can be combined for quantity pricing.

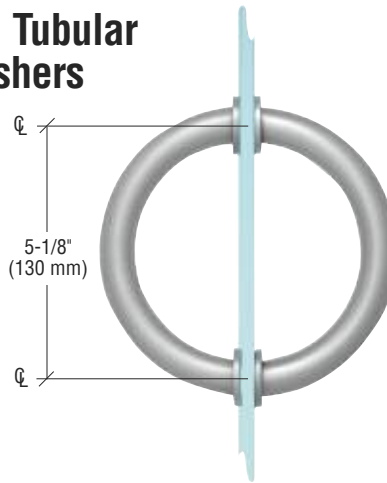
CAT. NO.	FINISH
SDPR6ORB	Oil Rubbed Bronze
SDPR6BBRZ	Brushed Bronze
SDPR6PCO	Polished Copper
SDPR6ABC	Antique Brushed Copper
SDPR6BCO	Brushed Copper
SDPR6GM	Gun Metal
SDPR6GP	Gold Plated
SDPR6W	White
SDPR6BL	Black
SDPR6RD	Red

Minimum order: 1 each. All Pull Handles can be combined for quantity pricing.

CRL SD Series Circular Style Tubular Pull Handles With Metal Washers



- Circular Shape Ideal for Matching Softer or Curved Décor
- Heavy 3/4" (19 mm) Diameter Tubular Construction
- Numerous Stock Finish Choices
- Custom Finishes Available



MODEL SDPC575

SPECIFICATIONS:

Material: Heavy 3/4" (19 mm) Diameter Brass Tubing (1.5 mil thick); 1-1/4" (32 mm) Diameter Washers
Glass Thickness Range: 1/4" (6 mm) to 1/2" (12 mm)
Hole Diameter Required: 1/2" (12 mm)
Center-to-Center Hole Spacing: 5-1/8" (130 mm)
 See page 259J for simple installation instructions

Circular Style Door Pulls are made of a heavy wall brass tubing to match hinge hardware. Consists of one Pull for each side of the door. Brass back-up washers and nylon spacer washers prevent glass-to-metal contact. Custom Pulls are available on special order.

FINISHES:



Most models are stocked in the finishes shown here, others are available on special order.

CAT. NO.	FINISH
SDPC575CH	Polished Chrome
SDPC575SC	Satin Chrome (Matte)
SDPC575BSC	Brushed Satin Chrome
SDPC575BN	Brushed Nickel
SDPC575PN	Polished Nickel
SDPC575SN	Satin Nickel
SDPC575BR	Polished Brass
SDPC575SB	Satin Brass
SDPC575ABR	Antique Brass

Minimum order: 1 each. All Pull Handles can be combined for quantity pricing.

CAT. NO.	FINISH
SDPC575UBR	Ultra Brass
SDPC575ORB	Oil Rubbed Bronze
SDPC575ABRZ	Antique Bronze
SDPC575GM	Gun Metal
SDPC575GP	Gold Plated
SDPC575W	White
SDPC575BL	Black
SDPC575RD	Red

Minimum order: 1 each. All Pull Handles can be combined for quantity pricing.

CRL SHOWER DOOR PULL HANDLES

For Pricing Visit crlaurence.com or Call Us Toll Free at the Phone Numbers Shown on the Back Cover

CRL Colonial Style Back-to-Back Pull Handles

- Unique Appearance With Multiple Contours and Fittings
- Integrated Brass Hardware
- Nine Stock Finishes, With Custom Finishes Available

SPECIFICATIONS:

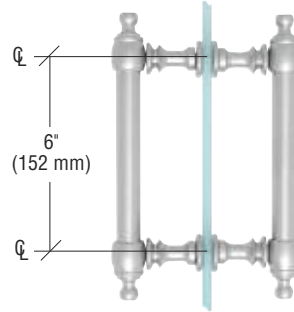
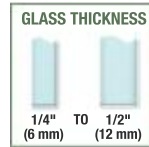
Material: 3/4" (19 mm) Brass Tubing
Glass Thickness Range: 1/4" (6 mm) to 1/2" (12 mm)
Hole Diameter Required: 1/2" (12 mm)
Center-to-Center Hole Spacing: 6" (152 mm); 8" (203 mm)
 See page 259J for simple installation instructions

FINISHES:

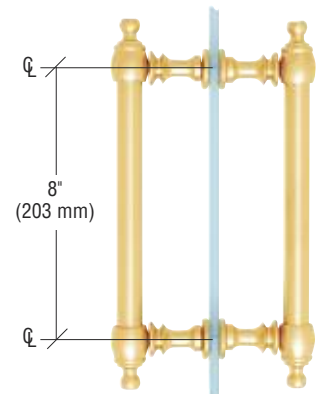


Most models are stocked in the finishes shown here, others are available on special order.

The Colonial Style Back-to-Back Pull Handle has a unique appearance and visual appeal. The multiple contours of the Handle, along with the numerous integrated brass hardware fittings, make this Handle one you will surely want to consider for a lasting impression of your modern frameless shower enclosure.



MODEL COL6X6



MODEL COL8X8

6" (152 MM) SIZE CAT. NO.	8" (203 MM) SIZE CAT. NO.	FINISH
COL6X6CH	COL8X8CH	Polished Chrome
COL6X6SC	COL8X8SC	Satin Chrome (Matte)
COL6X6BN	COL8X8BN	Brushed Nickel
COL6X6PN	COL8X8PN	Polished Nickel
COL6X6BR	COL8X8BR	Polished Brass
COL6X6SB	COL8X8SB	Satin Brass
COL6X6ABR	COL8X8ABR	Antique Brass
COL6X6ORB	COL8X8ORB	Oil Rubbed Bronze
COL6X6W	COL8X8W	White

Minimum order: 1 each. All Pull Handles can be combined for quantity pricing.

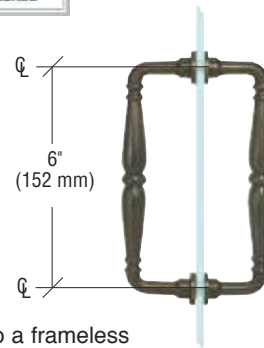
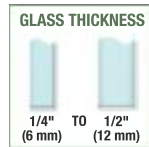
CRL Victorian Style Back-to-Back Pull Handles

- Eye-Catching Appeal With a Contoured Appearance
- Firm Grip With a Strong Solid Brass Feel
- 18 Stock Finishes, With Custom Finishes Available

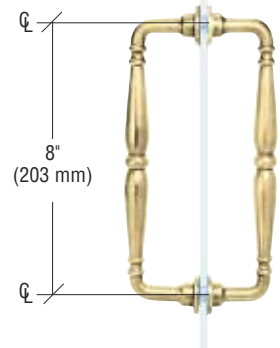
SPECIFICATIONS:

Material: Solid Brass; 1-1/4" (32 mm) Diameter Washers
Glass Thickness Range: 1/4" (6 mm) to 1/2" (12 mm)
Hole Diameter Required: 1/2" (12 mm)
Center-to-Center Hole Spacing: 6" (152 mm); 8" (203 mm)
 See page 259J for simple installation instructions

The Victorian Style Back-to-Back Handle will bring unique style and elegance to a frameless shower door. The vertical sides of the Handle have a thick middle portion for solid gripping and strong feel, then taper to a thinner, sleeker look culminating in stylish and handsome knuckles.



MODEL V1C6X6



MODEL V1C8X8

6" (152 MM) SIZE CAT. NO.	8" (203 MM) SIZE CAT. NO.	FINISH
V1C6X6CH	V1C8X8CH	Polished Chrome
V1C6X6SC	V1C8X8SC	Satin Chrome (Matte)
V1C6X6BSC	V1C8X8BSC	Brushed Stain Chrome
V1C6X6BN	V1C8X8BN	Brushed Nickel
V1C6X6PN	V1C8X8PN	Polished Nickel
V1C6X6SN	V1C8X8SN	Satin Nickel
V1C6X6ABN	V1C8X8ABN	Antique Brushed Nickel
V1C6X6BR	V1C8X8BR	Polished Brass
V1C6X6SB	V1C8X8SB	Satin Brass

Minimum order: 1 each. All Pull Handles can be combined for quantity pricing.

6" (152 MM) SIZE CAT. NO.	8" (203 MM) SIZE CAT. NO.	FINISH
V1C6X6ABR	V1C8X8ABR	Antique Brass
V1C6X6ORB	V1C8X8ORB	Oil Rubbed Bronze
V1C6X6ABRZ	V1C8X8ABRZ	Antique Bronze
V1C6X6BBRZ	V1C8X8BBRZ	Brushed Bronze
V1C6X6ABC0	V1C8X8ABC0	Antique Brushed Copper
V1C6X6BC0	V1C8X8BC0	Brushed Copper
V1C6X6GP	V1C8X8GP	Gold Plated
V1C6X6W	V1C8X8W	White
V1C6X6BL	V1C8X8BL	Black

Minimum order: 1 each. All Pull Handles can be combined for quantity pricing.



C.R. LAURENCE COMPANY

crlaurence.com | usalum.com

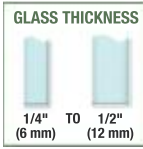
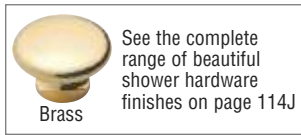
244J | crlaurence.ca crlaurence.com.au crlaurence.co.uk crlaurence.de crlaurence.eu

CRL SHOWER DOOR PULL HANDLES

For Pricing Visit crlaurence.com or Call Us Toll Free at the Phone Numbers Shown on the Back Cover

CRL Crescent Series Back-to-Back Pull Handles

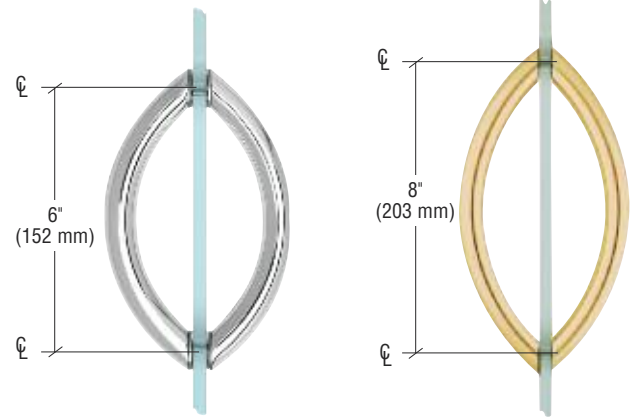
- Crescent or "Eyelet" Shaped Handle Stands Out From the Ordinary
- No Metal Washers Allow a Sleek Profile
- 12 Popular Stock Finishes, With Custom Finishes Upon Request
- Two Standard Sizes to Choose From



SPECIFICATIONS:

Material: 3/4" (19 mm) Diameter Brass Tubing
Glass Thickness Range: 1/4" (6 mm) to 1/2" (12 mm)
Hole Diameter Required: 1/2" (12 mm)
Center-to-Center Hole Spacing: 6" (152 mm); 8" (203 mm)
 See page 259J for simple installation instructions

The Crescent Series Handle is sure to stand out from the ordinary with its sleek "eyelet" shape. It's formed from tubular brass, and does not include metal washers, but plastic washers are included to protect against glass-to-metal contact. This back-to-back model consists of one Pull for each side of the door. 12 stock finishes make it easy to match most any popular décor. Custom finishes are available.



MODEL CSH6X6

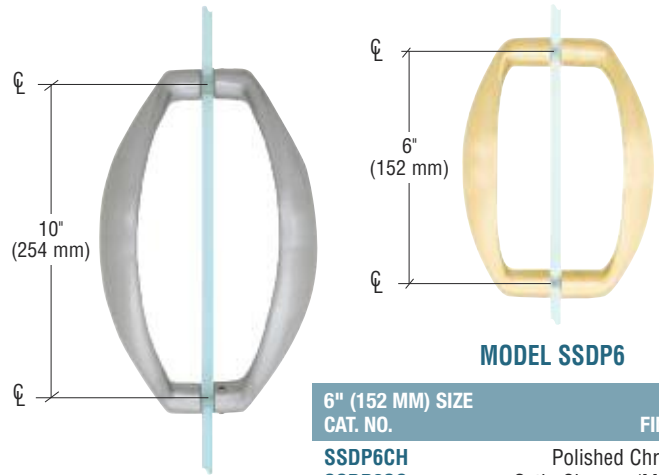
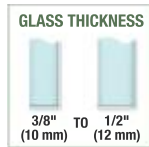
MODEL CSH8X8

6" (152 MM) SIZE CAT. NO.	8" (203 MM) SIZE CAT. NO.	FINISH
CSH6X6CH	CSH8X8CH	Polished Chrome
CSH6X6SC	CSH8X8SC	Satin Chrome (Matte)
CSH6X6BSC	CSH8X8BSC	Brushed Satin Chrome
CSH6X6BN	CSH8X8BN	Brushed Nickel
CSH6X6PN	CSH8X8PN	Polished Nickel
---	CSH8X8SN	Satin Nickel
CSH6X6ABN	CSH8X8ABN	Antique Brushed Nickel
CSH6X6BR	CSH8X8BR	Polished Brass
CSH6X6SB	CSH8X8SB	Satin Brass
CSH6X6ABR	---	Antique Brass
CSH6X6ORB	CSH8X8ORB	Oil Rubbed Bronze
CSH6X6W	CSH8X8W	White

Minimum order: 1 each. All Pull Handles can be combined for quantity pricing.

CRL Sculptured Style Back-to-Back Pull Handles

- Strong Appeal With a Defined, Unique Appearance
- A Great Choice for Heavier Shower Doors
- 6" (152 mm) and 10" (254 mm) Sizes in Stock
- Up to 16 Stock Finishes, With Custom Finishes Available



MODEL CQ10X10

MODEL SSDP6

SPECIFICATIONS:

Material: Solid Brass
Glass Thickness Range: 3/8" (10 mm) to 1/2" (12 mm)
Hole Diameter Required:
 1/2" (12 mm) for 6" Handles
 5/8" (16 mm) for 10" Handles
Center-to-Center Hole Spacing: 6" (152 mm); 10" (254 mm)
 See page 259J for simple installation instructions

The beautiful Sculptured Style Shower Door Pull has a unique free-form design that sets it apart from other pull handles. The curved shape, combined with a distinguishing flat tapered appearance, guarantees that this Pull Handle will be noticed. The longer 10" (254 mm) size is a great choice for heavier shower doors. Up to 16 stock finishes with custom finishes available upon request.

10" (254 MM) SIZE CAT. NO.	FINISH
CQ10X10CH	Polished Chrome
CQ10X10BSC	Brushed Satin Chrome
CQ10X10BN	Brushed Nickel
CQ10X10PN	Polished Nickel
CQ10X10BR	Polished Brass
CQ10X10ABR	Antique Brass
CQ10X10ORB	Oil Rubbed Bronze
CQ10X10GP	Gold Plated

Minimum order: 1 each. All Pull Handles can be combined for quantity pricing.

6" (152 MM) SIZE CAT. NO.	FINISH
SSDP6CH	Polished Chrome
SSDP6SC	Satin Chrome (Matte)
SSDP6BSC	Brushed Satin Chrome
SSDP6BN	Brushed Nickel
SSDP6PN	Polished Nickel
SSDP6SN	Satin Nickel
SSDP6ABN	Antique Brushed Nickel
SSDP6BR	Polished Brass
SSDP6SB	Satin Brass
SSDP6ABR	Antique Brass
SSDP6ORB	Oil Rubbed Bronze
SSDP6ABRZ	Antique Bronze
SSDP6ABC0	Antique Brushed Copper
SSDP6GP	Gold Plated
SSDP6W	White
SSDP6BL	Black

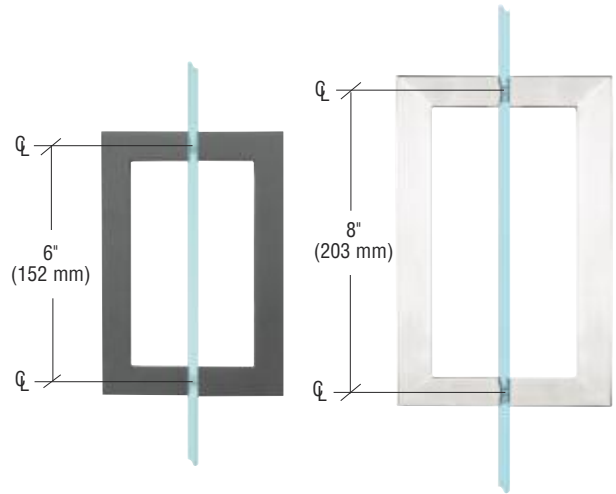
Minimum order: 1 each. All Pull Handles can be combined for quantity pricing.

CRL SHOWER DOOR PULL HANDLES

For Pricing Visit crlaurence.com or Call Us Toll Free at the Phone Numbers Shown on the Back Cover

CRL SQ Series Square Tubing Mitered Corner Pull Handles

- Square Corners Make This Handle the Ideal Choice to Match Square Cornered Hinges
- No Metal Washers Allow Continuity of Square Profile
- Stocked in Popular 6" (152 mm) and 8" (203 mm) Sizes
- Nine Stock Finishes, With Custom Finishes Available



MODEL SQ6X6

MODEL SQ8X8

SPECIFICATIONS:

Material: 3/4" (19 mm) Square Brass Tubing
Glass Thickness Range: 1/4" (6 mm) to 1/2" (12 mm)
Hole Diameter Required: 1/2" (12 mm)
Center-to-Center Hole Spacing: 6" (152 mm); 8" (203 mm)
 See page 259J for simple installation instructions

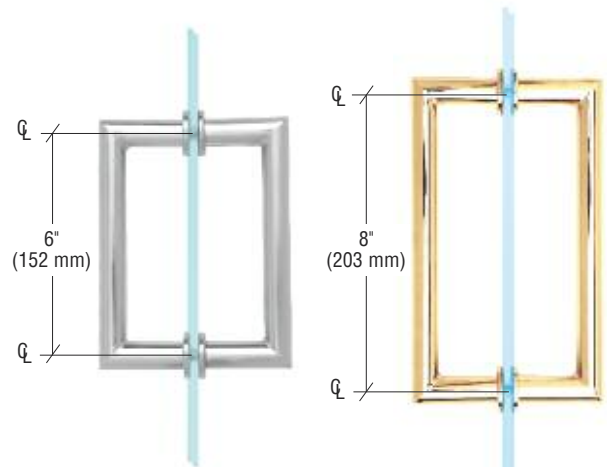
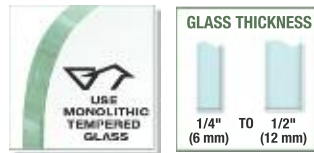
The sharp looking SQ Series Square Corner Pull Handle gives the clean and modern look that many designers prefer. This Handle perfectly complements numerous CRL Hinge Series with similar corner styles, such as Geneva, Vienna, Concord, Cardiff, and others. Back-up plastic washers and nylon spacers are included to protect against glass-to-metal contact. The back-to-back style includes one Pull for each side of the door. Available in 6" and 8" (152 and 203 mm) sizes. Nine stock finishes are available, with custom finishes upon request.

6" (152 MM) SIZE CAT. NO.	8" (203 MM) SIZE CAT. NO.	FINISH
SQ6X6CH	SQ8X8CH	Polished Chrome
SQ6X6SC	SQ8X8SC	Satin Chrome (Matte)
SQ6X6BSC	SQ8X8BSC	Brushed Satin Chrome
SQ6X6BN	SQ8X8BN	Brushed Nickel
SQ6X6PN	SQ8X8PN	Polished Nickel
SQ6X6SN	SQ8X8SN	Satin Nickel
SQ6X6BR	SQ8X8BR	Polished Brass
SQ6X6ORB	SQ8X8ORB	Oil Rubbed Bronze
SQ6X6W	SQ8X8W	White

Minimum order: 1 each. All Pull Handles can be combined for quantity pricing.

CRL MT Series Round Tubing Mitered Corner Pull Handles

- Attractive Handle Adds Contrast to Décor
- Stocked in Popular 6" (152 mm) and 8" (203 mm) Sizes
- Nine Stock Finishes, With Custom Finishes Available



MODEL MT6X6

MODEL MT8X8

SPECIFICATIONS:

Material: 3/4" (19 mm) Diameter Brass Tubing; 1-1/4" (32 mm) Metal Washers
Glass Thickness Range: 1/4" (6 mm) to 1/2" (12 mm)
Hole Diameter Required: 1/2" (12 mm)
Center-to-Center Hole Spacing: 6" (152 mm); 8" (203 mm)
 See page 259J for simple installation instructions

The Round Tubing Mitered Corner Pull Handle offers the contrast of round tubing along with square mitered corners, which makes it a Handle that is sure to be noticed. The round tubing of this Handle provides a comfortable gripping surface and strong feel. The geometry of the Handle shape makes it a favorite to match many of CRL's Hinge shapes and styles. Back-up plastic washers, and nylon spacers are included to protect against glass-to-metal contact. The back-to-back style includes one Pull for each side of the door. Stocked in popular 6" (152 mm) and 8" (203 mm) sizes. Nine standard finishes are offered, with custom finishes available upon demand.

6" (152 MM) SIZE CAT. NO.	8" (203 MM) SIZE CAT. NO.	FINISH
MT6X6CH	MT8X8CH	Polished Chrome
MT6X6SC	MT8X8SC	Satin Chrome (Matte)
MT6X6BSC	MT8X8BSC	Brushed Satin Chrome
MT6X6BN	MT8X8BN	Brushed Nickel
MT6X6PN	MT8X8PN	Polished Nickel
MT6X6SN	MT8X8SN	Satin Nickel
MT6X6BR	MT8X8BR	Polished Brass
MT6X6ORB	MT8X8ORB	Oil Rubbed Bronze
MT6X6W	MT8X8W	White

Minimum order: 1 each. All Pull Handles can be combined for quantity pricing.



C.R. LAURENCE COMPANY

crlaurence.com | usalum.com

ALUMINUM 246J | crlaurence.ca crlaurence.com.au crlaurence.co.uk crlaurence.de crlaurence.eu

CRL SHOWER DOOR PULL HANDLES

For Pricing Visit crlaurence.com or Call Us Toll Free at the Phone Numbers Shown on the Back Cover

CRL Ladder Style Back-to-Back Pull Handles

- For Unique Shower Door Appearance and Contemporary Design
- Heavy Wall Brass Tubing
- Five Sizes Offered in Popular Shower Door Finishes
- Custom Finishes Available

SPECIFICATIONS:

Material: 3/4" (19 mm) Diameter Brass Tubing 6" and 8" (152 mm and 203 mm) Sizes; 1-1/4" (32 mm) Brass Tubing All Other Sizes

Glass Thickness Range: 5/16" (8 mm) to 1/2" (12 mm)

Hole Diameter Required: For 6" and 8" (152 and 203 mm) Handles: 1/2" (12 mm); For All Other Sizes: 5/8" (16 mm)

Center-to-Center Hole Spacing: 6" (152 mm); 8" (203 mm); 12" (305 mm); 24" (610 mm); 36" (914 mm)



MODEL LP6X6

6" Center-to-Center Size

MODEL LP8X8

8" Center-to-Center Size

MODEL LP24

12" Center-to-Center Size

MODEL LP36

24" Center-to-Center Size

MODEL LP48

36" Center-to-Center Size



CRL Ladder Style Pulls say "notice me" when mounted to a heavy frameless shower enclosure. The extra height, when compared to typical shower door pull handles, makes for a unique appearance and contemporary design. Ladder Style Pull Handles are for back-to-back mounting using supplied through-bolts on 5/16" (8 mm) to 1/2" (12 mm) thick glass. Five stock sizes are offered in several popular shower door finishes. Custom finishes available.

FINISHES:



Most models are stocked in the finishes shown here, others are available on special order.

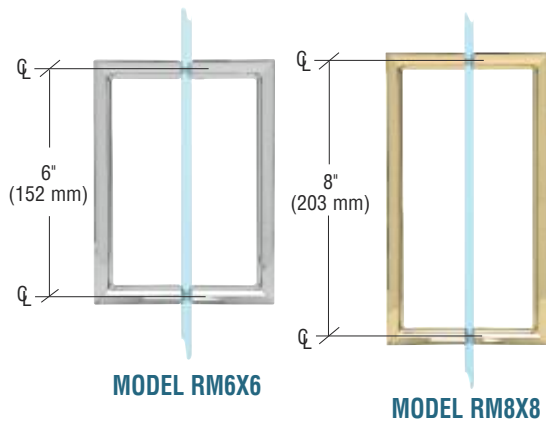
OVERALL HANDLE LENGTHS

10" (254 MM) SIZE CAT. NO.	12" (305 MM) SIZE CAT. NO.	24" (610 MM) SIZE CAT. NO.	36" (610 MM) SIZE CAT. NO.	48" (1219 MM) SIZE CAT. NO.	FINISH
LP6X6CH	LP8X8CH	LP24CH	LP36CH	LP48CH	Polished Chrome Satin Chrome (Matte) Brushed Satin Chrome Brushed Nickel Polished Nickel Antique Brushed Nickel Polished Brass Satin Brass Antique Brass Oil Rubbed Bronze Antique Brushed Copper White
LP6X6SC	LP8X8SC	---	---	---	
LP6X6BSC	LP8X8BSC	---	---	---	
LP6X6BN	LP8X8BN	LP24BN	LP36BN	LP48BN	
LP6X6PN	LP8X8PN	---	---	---	
LP6X6ABN	LP8X8ABN	---	---	---	
LP6X6BR	LP8X8BR	LP24BR	LP36BR	LP48BR	
LP6X6SB	LP8X8SB	---	---	---	
LP6X6ABR	LP8X8ABR	---	---	---	
LP6X6ORB	LP8X8ORB	LP24ORB	LP36ORB	LP48ORB	
LP6X6ABC0	LP8X8ABC0	---	---	---	
LP6X6W	LP8X8W	---	---	---	



Minimum order: 1 each. All Pull Handles can be combined for quantity pricing.

RM Series Flat Outside Surface/Round Tubing Inside Back-to-Back Pull Handles



SPECIFICATIONS:

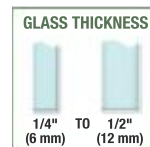
Material: 3/4" (19 mm) Brass Tubing; 1-1/4" (31.8 mm) Metal Washers

Glass Thickness Range: 1/4" (6 mm) to 1/2" (12 mm)

Hole Diameter Required: 1/2" (12 mm)

Center-to-Center Hole Spacing: 6" (152 mm); 8" (203 mm)

See page 259J for simple installation instructions



new

FINISHES:



Most models are stocked in the finishes shown here, others are available on special order.

6" (152 MM) SIZE CAT. NO.	8" (203 MM) SIZE CAT. NO.	FINISH
RM6X6CH	RM8X8CH	Polished Chrome
RM6X6SC	RM8X8SC	Satin Chrome (Matte)
RM6X6BSC	RM8X8BSC	Brushed Satin Chrome
RM6X6BN	RM8X8BN	Brushed Nickel
RM6X6PN	RM8X8PN	Polished Nickel
RM6X6SN	RM8X8SN	Satin Nickel
RM6X6BR	RM8X8BR	Polished Brass
RM6X6ORB	RM8X8ORB	Oil Rubbed Bronze
RM6X6W	RM8X8W	White

Minimum order: 1 each. All Pull Handles can be combined for quantity pricing.

The RM Series Back-to-Back Handles offer features from both the popular SQ and MT Series Handles. The RM Series Handle has a flat outside surface, thus having the square cornered appearance of the SQ Series. Therefore it is a good choice for similar CRL Hinge Series such as Geneva, Vienna, Concord, Cardiff, and others. The inside portion of the handle has the same round tubing as the MT Series Handle, ensuring a comfortable grip. Two stock sizes are offered in nine popular shower door finishes. Custom finishes available.

CRL SHOWER DOOR PULL HANDLES

For Pricing Visit crlaurence.com or Call Us Toll Free at the Phone Numbers Shown on the Back Cover

CRL Acrylic Back-to-Back Pull Handles

- Acrylic Material Helps Perpetuate the 'All-Glass' Look
- Choice of Metal Accent Ring Washers to Assist in Matching Various Décor

Acrylic Back-to-Back Pull Handles have a "see-through" look that enhances the 'all-glass' appearance of a frameless shower door. They are formed of 3/4" (19 mm) diameter clear acrylic rod, and secured with your choice of brass, chrome or brushed nickel finish washers. Available in 6" (152 mm) or 8" (203 mm) sizes, a set consists of one Pull for each side of the door.

SPECIFICATIONS:

Material: 3/4" (19 mm) Acrylic Rod

Glass Thickness Range:

1/4" (6 mm) to 1/2" (12 mm)

Hole Diameter Required: 1/2" (12 mm)

Center-to-Center Hole Spacing: 6" (152 mm); 8" (203 mm)

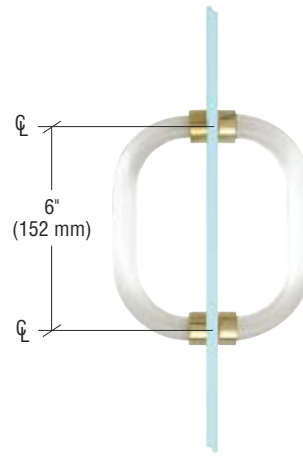
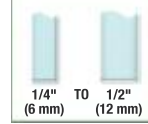
See page 259J for simple installation instructions

RING FINISHES:

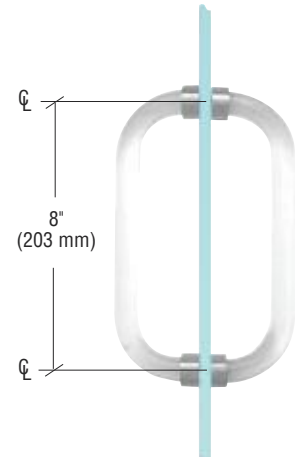


Most models are stocked in the finishes shown here, others are available on special order.

GLASS THICKNESS



MODEL CAP6X6



MODEL CAP8X8

6" (152 MM) SIZE CAT. NO.	8" (203 MM) SIZE CAT. NO.	ACCENT RING FINISH
CAP6X6CH	CAP8X8CH	Polished Chrome
CAP6X6BN	CAP8X8BN	Brushed Nickel
CAP6X6BR	CAP8X8BR	Polished Brass

Minimum order: 1 each. All Pull Handles can be combined for quantity pricing.

CRL Slip-On Handles for Frameless Pivot and Sliding Doors

- Excellent for New or Retrofit Applications
- No Glass Fabrication Required

Slip-On Handles are offered for either pivot doors or sliding doors, to accommodate glass thicknesses from 3/16" to 1/4" (5 to 6 mm). These aluminum constructed Handles are ideal for new or retrofit installations. The Pivot Door Handle includes vinyl, a magnet, and stainless steel strike insert. Handle is secured using the provided vinyl, or with silicone. The Sliding Door Handle contains no other components and is secured using silicone. No glass fabrication is required for either Handle.

SPECIFICATIONS:

Material: Aluminum

Glass Thickness Range:

3/16" to 1/4" (5 to 6 mm)

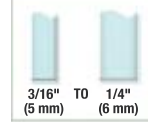
No Glass Fabrication Required

FINISHES:



Most models are stocked in the finishes shown here, others are available on special order.

GLASS THICKNESS



MODEL SOH334
Pivot Door Handle



MODEL SOH238
Sliding Door Handle

CAT. NO.	SIZE	APPLICATION	FINISH
SOH334CH	3-3/4" (95 mm)	Pivot Door	Brite Chrome
SOH334BR	3-3/4" (95 mm)	Pivot Door	Brite Brass
SOH334BN	3-3/4" (95 mm)	Pivot Door	Brushed Nickel
SOH238CH	2-3/8" (60 mm)	Bypass Sliding Door	Brite Chrome
SOH238BR	2-3/8" (60 mm)	Bypass Sliding Door	Brite Brass
SOH238BN	2-3/8" (60 mm)	Bypass Sliding Door	Brushed Nickel

Minimum order: 1 each. All Pull Handles can be combined for quantity pricing.



C.R. LAURENCE COMPANY

crlaurence.com | usalum.com

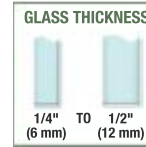
248J | crlaurence.ca crlaurence.com.au crlaurence.co.uk crlaurence.de crlaurence.eu

CRL Solid Brass Constructed Pull Handles

- 3/4" (19 mm) Diameter Back-to-Back and Single-Sided Models
- Choice of Handles With or Without Metal Washers
- Back-to-Back Handle Includes Pull for Each Side or Door
- Single-Sided Handle has Decorative End Cap for Other Side of Door

SPECIFICATIONS:

Material: 3/4" (19 mm) Diameter Solid Brass Rod
Glass Thickness Range: 1/4" (6 mm) to 1/2" (12 mm)
Hole Diameter Required: 1/2" (12 mm)
Center-to-Center Hole Spacing: 6" (152 mm); 8" (203 mm)
 See page 259J for simple installation instructions



Solid Brass Pull Handles offer a selection of back-to-back or single-sided styles, with or without 1-1/4" (32 mm) diameter metal washers. The Back-to-Back Handle includes a Pull for each side of the door, and is commonly used in frameless shower door applications. The Single-Sided Handle has an 1/8" (3 mm) protruding end cap, and is commonly used for bypassing cabinet and wardrobe doors. All Pull Handles are offered in a choice of 6" (152 mm) and 8" (203 mm) sizes. Custom finishes are also available on special order.

BACK-TO-BACK



With Metal Washers



Without Metal Washers

WITH WASHERS 6" (152 MM) SIZE CAT. NO.	WITH WASHERS 8" (203 MM) SIZE CAT. NO.	WITHOUT WASHERS 6" (152 MM) SIZE CAT. NO.	WITHOUT WASHERS 8" (203 MM) SIZE CAT. NO.	FINISH
SPH6CH	SPH8CH	BPD6CH	BPD8CH	Polished Chrome
SPH6SC	SPH8SC	BPD6SC	BPD8SC	Satin Chrome (Matte)
SPH6BSC	SPH8BSC	BPD6BSC	BPD8BSC	Brushed Satin Chrome
SPH6BN	SPH8BN	BPD6BN	BPD8BN	Brushed Nickel
SPH6PN	SPH8PN	BPD6PN	BPD8PN	Polished Nickel
SPH6SN	SPH8SN	BPD6SN	BPD8SN	Satin Nickel
SPH6ABN	SPH8ABN	BPD6ABN	BPD8ABN	Antique Brushed Nickel
SPH6BR	SPH8BR	BPD6BR	BPD8BR	Polished Brass
SPH6SB	SPH8SB	BPD6SB	BPD8SB	Satin Brass
SPH6ABR	SPH8ABR	BPD6ABR	BPD8ABR	Antique Brass
---	---	---	BPD8UBR	Ultra Brass
SPH6ORB	SPH8ORB	BPD6ORB	BPD8ORB	Oil Rubbed Bronze
SPH6ABRZ	SPH8ABRZ	BPD6ABRZ	BPD8ABRZ	Antique Bronze
SPH6BBRZ	SPH8BBRZ	BPD6BBRZ	BPD8BBRZ	Brushed Bronze
SPH6ABCO	SPH8ABCO	BPD6ABCO	BPD8ABCO	Antique Brushed Copper
---	---	---	BPD8BCO	Brushed Copper
---	---	BPD6PCO	BPD8PCO	Polished Copper
---	SPH8GM	---	BPD8GM	Gun Metal
SPH6GP	SPH8GP	BPD6GP	BPD8GP	Gold Plated
SPH6W	SPH8W	BPD6W	BPD8W	White
SPH6BL	SPH8BL	BPD6BL	BPD8BL	Black

SINGLE-SIDED



With Metal Washers



Without Metal Washers

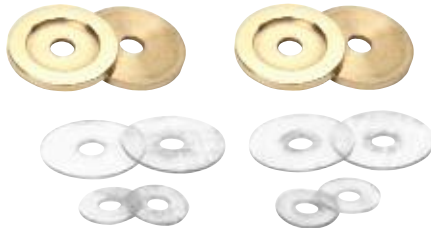
WITH WASHERS 6" (152 MM) SIZE CAT. NO.	WITH WASHERS 8" (203 MM) SIZE CAT. NO.	WITHOUT WASHERS 6" (152 MM) SIZE CAT. NO.	WITHOUT WASHERS 8" (203 MM) SIZE CAT. NO.	FINISH
SSP6CH	SSP8CH	BPS6CH	BPS8CH	Polished Chrome
SSP6SC	SSP8SC	BPS6SC	BPS8SC	Satin Chrome (Matte)
SSP6BSC	SSP8BSC	BPS6BSC	BPS8BSC	Brushed Satin Chrome
SSP6BN	SSP8BN	BPS6BN	BPS8BN	Brushed Nickel
SSP6PN	SSP8PN	BPS6PN	BPS8PN	Polished Nickel
SSP6BR	SSP8BR	BPS6BR	BPS8BR	Polished Brass
SSP6SB	SSP8SB	BPS6SB	BPS8SB	Satin Brass
SSP6ABR	SSP8ABR	BPS6ABR	BPS8ABR	Antique Brass
SSP6ORB	SSP8ORB	BPS6ORB	BPS8ORB	Oil Rubbed Bronze
SSP6GP	SSP8GP	BPS6GP	BPS8GP	Gold Plated
SSP6W	SSP8W	BPS6W	BPS8W	White
SSP6BL	SSP8BL	BPS6BL	BPS8BL	Black

Minimum order: 1 each. All Pull Handles can be combined for quantity pricing.

CRL Replacement Washer and Washer/Stud Kits for 3/4" Diameter Pull Handles

For Back-to-Back Pull Handles

- Sold as a Kit of Replacement Parts for One Back-to-Back 3/4" (19 mm) Diameter Pull Handle
- Finishes to Match Stock Pull Handles



MODEL 30WK

Each Kit Contains: 4 Metal and 8 Plastic Washers (4 Small, 4 Large)

SPECIFICATIONS:

Material: Brass, Plastic
Size: Metal Washers and End Caps are 1-1/4" (32 mm) Diameter. Plastic Washers Come in Two Diameters, 1-1/4" (32 mm) and 3/4" (19 mm)
See page 259J for simple installation instructions

CAT. NO.	FINISH
30WKCH	Polished Chrome
30WKSC	Satin Chrome (Matte)
30WKBSC	Brushed Satin Chrome
30WKBN	Brushed Nickel
30WKPN	Polished Nickel
30WKSN	Satin Nickel
30WKABN	Antique Brushed Nickel
30WKBR	Polished Brass
30WKS	Satin Brass
30WKABR	Antique Brass

Minimum order: 1 set. Sizes and finishes can be combined for quantity pricing.

CAT. NO.	FINISH
30WKORB	Oil Rubbed Bronze
30WKABRZ	Antique Bronze
30WKBBRZ	Brushed Bronze
30WKABCO	Antique Brushed Copper
30WKBCO	Brushed Copper
30WKPCO	Polished Copper
30WKGM	Gun Metal
30WKGP	Gold Plated
30WKW	White
30WKBL	Black

Minimum order: 1 set. Sizes and finishes can be combined for quantity pricing.

For Single-Sided Pull Handles

- Sold as a Kit of Replacement Parts for One Single-Sided 3/4" (19 mm) Diameter Pull Handle
- Finishes to Match Stock Pull Handles



MODEL 30SK

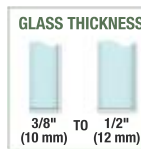
Each Kit Contains: 2 each 1/4"-20 Threaded Rods with 1-1/4" (32 mm) Diameter End Cap, 2 each 1-1/4" (32 mm) Metal Washers, 6 Plastic Washers (4 Large, 2 Small)

CAT. NO.	FINISH
30SKCH	Polished Chrome
30SKSC	Satin Chrome (Matte)
30SKBSC	Brushed Satin Chrome
30SKBN	Brushed Nickel
30SKPN	Polished Nickel
30SKBR	Polished Brass
30SKSB	Satin Brass
30SKABR	Antique Brass
30SKORB	Oil Rubbed Bronze
30SKABRZ	Antique Bronze
30SKABCO	Antique Brushed Copper
30SKGP	Gold Plated
30SKW	White
30SKBL	Black

Minimum order: 1 set. Sizes and finishes can be combined for quantity pricing.

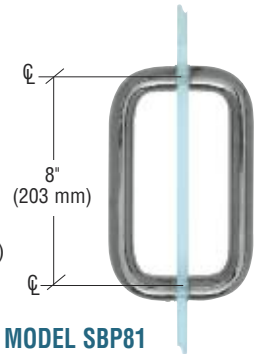
CRL 1" Diameter Solid Brass Constructed Back-to-Back Pull Handle

- Thick 1" (25 mm) Diameter Solid Brass Rod Handle Provides Firm Grip
- A Great Choice for Heavy Doors
- No Metal Washers for Sleek Profile Appearance
- 16 Stock Finishes, With Custom Finishes Available



SPECIFICATIONS:

Material: 1" (25 mm) Diameter Solid Brass Rod
Glass Thickness Range: 3/8" (10 mm) to 1/2" (12 mm)
Center-to-Center Hole Spacing: 8" (203 mm)
See page 259J for simple installation instructions



MODEL SBP81

CAT. NO.	FINISH
SBP81CH	Polished Chrome
SBP81SC	Satin Chrome (Matte)
SBP81BSC	Brushed Satin Chrome
SBP81BN	Brushed Nickel
SBP81PN	Polished Nickel
SBP81ABN	Antique Brushed Nickel
SBP81BR	Polished Brass
SBP81SB	Satin Brass
SBP81ABR	Antique Brass

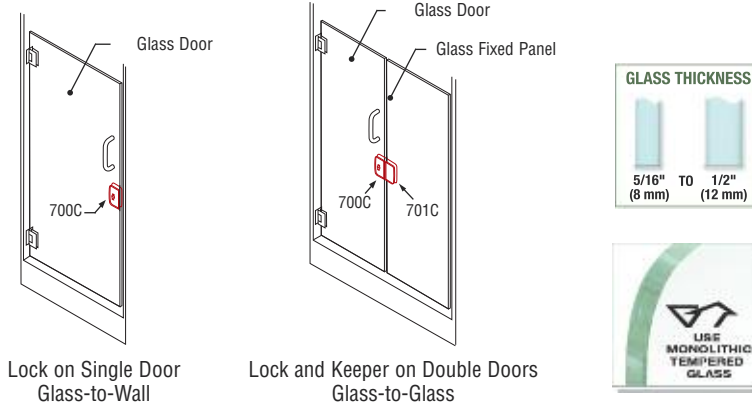
CAT. NO.	FINISH
SBP81ORB	Oil Rubbed Bronze
SBP81ABRZ	Antique Bronze
SBP81ABCO	Antique Brushed Copper
SBP81BCO	Brushed Copper
SBP81GM	Gun Metal
SBP81GP	Gold Plated
SBP81W	White

Minimum order: 1 each. All Pull Handles can be combined for quantity pricing.

With its substantial appearance and firm feel, our 1" (25 mm) diameter Solid Brass Pull Handle becomes an integral part of an 'all-glass' frameless shower enclosure. The size and weight of this larger diameter Handle makes it an ideal choice for use with heavier doors. Available only without metal washers to provide a sleek, continuous Handle profile. The 8" (203 mm) long Handle comes in sixteen stock finishes, with custom finishes available upon request.

CRL Swinging Glass Door Lock With Indicator

- Suitable for Glass Doors from 5/16" to 1/2" (8 to 12 mm) Thick
- Lock Can Be Used Glass-to-Wall or Glass-to-Glass, With Optional Matching Keeper
- Indicator on Exterior Displays Red if Lock is Activated; Blue if Lock is Open



Lock on Single Door Glass-to-Wall

Lock and Keeper on Double Doors Glass-to-Glass



MODEL 700C Lock

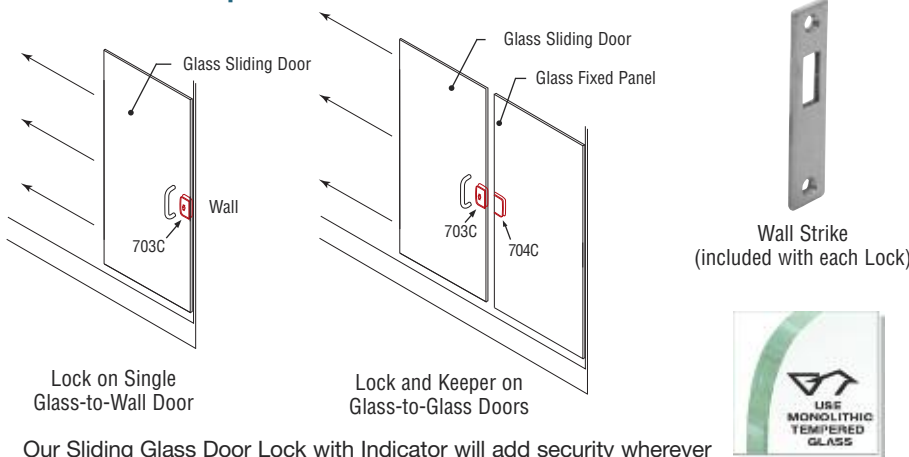
MODEL 701C Keeper

LOCK CAT. NO.	KEEPER CAT. NO.	FINISH
700CCH	701CCH	Polished Chrome
700CBN	701CBN	Brushed Nickel
700CBR	701CBR	Polished Brass
700CABR	701CABR	Antique Brass
700CORB	701CORB	Oil Rubbed Bronze

Minimum order: 1 each. Locks and Keepers can be combined for quantity pricing.

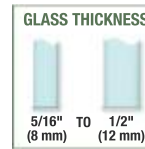
CRL Sliding Glass Door Lock With Indicator

- Suitable for Sliding Glass Doors from 5/16" to 1/2" (8 to 12 mm) Thick
- Lock Can Be Used Glass-to-Wall, or Glass-to-Glass Inline Panel or Door
- Indicator on Exterior Displays Red if Lock is Activated; Blue if Lock is Open



Lock on Single Glass-to-Wall Door

Lock and Keeper on Glass-to-Glass Doors



MODEL 703C Lock

MODEL 704C Keeper

LOCK CAT. NO.	KEEPER CAT. NO.	FINISH
703CCH	704CCH	Polished Chrome
703CBN	704CBN	Brushed Nickel
703CBR	704CBR	Polished Brass
703CORB	704CORB	Oil Rubbed Bronze

Minimum order: 1 each. Locks and Keepers can be combined for quantity pricing.

Our Sliding Glass Door Lock with Indicator will add security wherever 5/16" to 1/2" (8 to 12 mm) glass sliding doors are installed. This Lock can accommodate glass-to-wall or glass-to-glass inline installations. A turn of the thumbturn on the interior side of the Lock changes the color of the exterior indicator. Emergency access is made possible by a low profile screw on the exterior face. The Lock comes with a wall mounted strike plate, screws, and anchors. Both Lock and Keeper come with gaskets and hex wrench. **NOTE:** Glass must be notched for installation of Lock and Keeper.

CRL PULL HANDLE/TOWEL BAR COMBINATIONS

For Pricing Visit crlaurence.com or Call Us Toll Free at the Phone Numbers Shown on the Back Cover

CRL BM Series Pull Handle/Towel Bar Combinations With Metal Washers



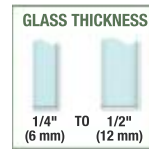
6" x 22" and 8" x 22" Sizes
Ideal for Popular 28" Wide Doors!

- Our Most Popular Combination Series
- New Sizes Incorporating 22" (559 mm) Towel Bars are Excellent for Use With Popular 28" (711 mm) Wide Doors
- Provides a Functional Pull Handle for Inside the Shower Enclosure, Along With a Convenient Towel Bar for the Outside
- Attractive Metal Washers

The BM Series of Pull Handle/Towel Bar Combinations With Metal Washers are provided with all the hardware required for installation. They are constructed of heavy brass tubing. Each consists of a Pull Handle/Towel Bar Set, along with decorative metal back-up washers and plastic washers to protect against glass-to-metal contact.

SPECIFICATIONS:

Material: 3/4" (19 mm) Diameter Brass Tubing;
1-1/4" (32 mm) Diameter Washers
Glass Thickness Range: 1/4" (6 mm) to 1/2" (12 mm)
Hole Diameter Required: 1/2" (12 mm)
Center-to-Center Hole Spacing:
6" Pull = 6" (152 mm); 8" Pull = 8" (203 mm); 12" Pull = 12" (305 mm);
12" Towel Bar = 12" (305 mm); 18" Towel Bar = 18" (457 mm);
22" Towel Bar = 22" (559 mm); 24" Towel Bar = 24" (610 mm)
See page 258J for simple installation instructions



6" HANDLE WITH 12" TOWEL BAR CAT. NO.	6" HANDLE WITH 18" TOWEL BAR CAT. NO..	6" HANDLE WITH 22" TOWEL BAR CAT. NO.	6" HANDLE WITH 24" TOWEL BAR CAT. NO.	FINISH
BM6X12CH	BM6X18CH	BM6X22CH	BM6X24CH	Polished Chrome
BM6X12SC	BM6X18SC	BM6X22SC	BM6X24SC	Satin Chrome (Matte)
BM6X12BSC	BM6X18BSC	BM6X22BSC	BM6X24BSC	Brushed Satin Chrome
BM6X12BN	BM6X18BN	BM6X22BN	BM6X24BN	Brushed Nickel
BM6X12PN	BM6X18PN	BM6X22PN	BM6X24PN	Polished Nickel
BM6X12SN	BM6X18SN	BM6X22SN	BM6X24SN	Satin Nickel
BM6X12BR	BM6X18BR	BM6X22BR	BM6X24BR	Polished Brass
BM6X12SB	BM6X18SB	BM6X22SB	BM6X24SB	Satin Brass
BM6X12ABR	BM6X18ABR	---	BM6X24ABR	Antique Brass
BM6X12ORB	BM6X18ORB	BM6X22ORB	BM6X24ORB	Oil Rubbed Bronze
---	BM6X18ABRZ	---	---	Antique Bronze
---	BM6X18ABCO	---	BM6X24ABCO	Antique Brushed Copper
BM6X12W	BM6X18W	BM6X22W	BM6X24W	White
---	BM6X18BL	---	---	Black

Minimum order: 1 each. All Pulls and Bars can be combined for quantity pricing.

8" HANDLE WITH 18" TOWEL BAR CAT. NO.	8" HANDLE WITH 22" TOWEL BAR CAT. NO..	8" HANDLE WITH 24" TOWEL BAR CAT. NO.	12" HANDLE WITH 24" TOWEL BAR CAT. NO.	FINISH
BM8X18CH	BM8X22CH	BM8X24CH	BM12X24CH	Polished Chrome
BM8X18SC	BM8X22SC	BM8X24SC	BM12X24SC	Satin Chrome (Matte)
BM8X18BSC	BM8X22BSC	BM8X24BSC	BM12X24BSC	Brushed Satin Chrome
BM8X18BN	BM8X22BN	BM8X24BN	BM12X24BN	Brushed Nickel
BM8X18PN	BM8X22PN	BM8X24PN	BM12X24PN	Polished Nickel
BM8X18SN	BM8X22SN	BM8X24SN	---	Satin Nickel
BM8X18BR	BM8X22BR	BM8X24BR	BM12X24BR	Polished Brass
BM8X18SB	BM8X22SB	BM8X24SB	BM12X24SB	Satin Brass
BM8X18ABR	---	BM8X24ABR	---	Antique Brass
BM8X18ORB	BM8X22ORB	BM8X24ORB	BM12X24ORB	Oil Rubbed Bronze
BM8X18ABRZ	---	BM8X24ABRZ	---	Antique Bronze
BM8X18ABCO	---	---	---	Antique Brushed Copper
BM8X18GP	---	---	---	Gold Plated
BM8X18W	BM8X22W	BM8X24W	BM12X24W	White
BM8X18BL	---	---	---	Black

Minimum order: 1 each. All Pulls and Bars can be combined for quantity pricing.



C.R. LAURENCE COMPANY

crlaurence.com | usalum.com

252J | crlaurence.ca crlaurence.com.au crlaurence.co.uk crlaurence.de crlaurence.eu

CRL PULL HANDLE/TOWEL BAR COMBINATIONS

For Pricing Visit crlaurence.com or Call Us Toll Free at the Phone Numbers Shown on the Back Cover

CRL BM Series Pull Handle/Towel Bar Combinations Without Metal Washers

- Our Most Popular Combination Series
- New Sizes Featuring 22" (559 mm) Towel Bar are Excellent for Use With Popular 28" (711 mm) Wide Doors
- Provides a Functional Pull Handle for Inside the Enclosure, Along With a Convenient Towel Bar for the Outside
- No Metal Washers for Sleek, Continuous Profile Appeal



6" x 22" and 8" x 22" Sizes
Ideal for Popular 28" Wide Doors!

The BM Series of Pull Handle/Towel Bar Combinations Without Metal Washers are provided with all the hardware required for installation. They are constructed of heavy brass tubing. Each consists of a Pull Handle/Towel Bar set, along with plastic washers to protect against glass-to-metal contact.

SPECIFICATIONS:

Material: 3/4" (19 mm) Diameter Brass Tubing

Glass Thickness Range: 1/4" (6 mm) to 1/2" (12 mm)

Hole Diameter Required: 1/2" (12 mm)

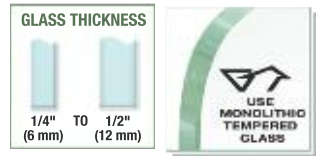
Center-to-Center Hole Spacing:

6" Pull = 6" (152 mm); 8" Pull = 8" (203 mm); 12" Pull = 12" (305 mm);

12" Towel Bar = 12" (305 mm); 18" Towel Bar = 18" (457 mm);

22" Towel Bar = 22" (559 mm); 24" Towel Bar = 24" (610 mm)

See page 258J for simple installation instructions



6" HANDLE WITH 12" TOWEL BAR CAT. NO.	6" HANDLE WITH 18" TOWEL BAR CAT. NO.	6" HANDLE WITH 22" TOWEL BAR CAT. NO.	6" HANDLE WITH 24" TOWEL BAR CAT. NO.	FINISH
BMNW6X12CH	BMNW6X18CH	BMNW6X22CH	BMNW6X24CH	Polished Chrome
---	BMNW6X18SC	BMNW6X22SC	BMNW6X24SC	Satin Chrome (Matte)
BMNW6X12BSC	BMNW6X18BSC	BMNW6X22BSC	BMNW6X24BSC	Brushed Satin Chrome
BMNW6X12BN	BMNW6X18BN	BMNW6X22BN	BMNW6X24BN	Brushed Nickel
BMNW6X12PN	BMNW6X18PN	BMNW6X22PN	BMNW6X24PN	Polished Nickel
---	BMNW6X18SN	BMNW6X22SN	BMNW6X24SN	Satin Nickel
BMNW6X12BR	BMNW6X18BR	BMNW6X22BR	BMNW6X24BR	Polished Brass
BMNW6X12SB	BMNW6X18SB	BMNW6X22SB	BMNW6X24SB	Satin Brass
BMNW6X12ORB	BMNW6X18ORB	BMNW6X22ORB	BMNW6X24ORB	Oil Rubbed Bronze
BMNW6X12W	BMNW6X18W	BMNW6X22W	BMNW6X24W	White

Minimum order: 1 each. All Pulls and Bars can be combined for quantity pricing.

8" HANDLE WITH 18" TOWEL BAR CAT. NO.	8" HANDLE WITH 22" TOWEL BAR CAT. NO.	8" HANDLE WITH 24" TOWEL BAR CAT. NO.	12" HANDLE WITH 24" TOWEL BAR CAT. NO.	FINISH
BMNW8X18CH	BMNW8X22CH	BMNW8X24CH	BMNW12X24CH	Polished Chrome
BMNW8X18SC	BMNW8X22SC	BMNW8X24SC	BMNW12X24SC	Satin Chrome (Matte)
BMNW8X18BSC	BMNW8X22BSC	BMNW8X24BSC	BMNW12X24BSC	Brushed Satin Chrome
BMNW8X18BN	BMNW8X22BN	BMNW8X24BN	BMNW12X24BN	Brushed Nickel
BMNW8X18PN	BMNW8X22PN	BMNW8X24PN	BMNW12X24PN	Polished Nickel
BMNW8X18SN	BMNW8X22SN	BMNW8X24SN	---	Satin Nickel
---	---	BMNW8X24ABN	---	Antique Brushed Nickel
BMNW8X18BR	BMNW8X22BR	BMNW8X24BR	BMNW12X24BR	Polished Brass
BMNW8X18SB	---	BMNW8X24SB	BMNW12X24SB	Satin Brass
BMNW8X18ORB	BMNW8X22ORB	BMNW8X24ORB	BMNW12X24ORB	Oil Rubbed Bronze
---	---	BMNW8X24ABC0	---	Antique Brushed Copper
BMNW8X18W	BMNW8X22W	BMNW8X24W	BMNW12X24W	White

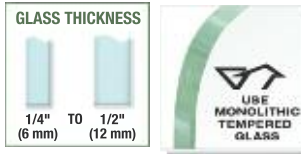
Minimum order: 1 each. All Pulls and Bars can be combined for quantity pricing.

CRL PULL HANDLE/TOWEL BAR COMBINATIONS

For Pricing Visit crlaurence.com or Call Us Toll Free at the Phone Numbers Shown on the Back Cover

CRL SD Series Pull Handle/Towel Bar Combinations With Metal Washers

- Traditional Pull Handle/Towel Bar Combination Provides a Pull Handle for Inside the Door With a Towel Bar for the Outside
- Metal Washers to Provide Style and Cover Imperfections in Hole Drilling if Necessary
- Over a Dozen Stock Finishes, With Custom Finishes Available



These attractive Pull Handle/Towel Bar Combinations have all the hardware needed for installation. They are constructed of heavy brass tubing. Each set consists of one Towel Bar, one Pull, and matching finish metal washers. They fit glass thicknesses from 1/4" (6 mm) to 1/2" (12 mm).



SPECIFICATIONS:

Material: 3/4" (19 mm) Diameter Brass Tubing; 1-1/4" (32 mm) Diameter Washers

Glass Thickness Range: 1/4" (6 mm) to 1/2" (12 mm)

Hole Diameter Required: 1/2" (12 mm)

Center-to-Center Hole Spacing:

6" Pull = 6" (152 mm); 12" Pull = 12" (305 mm);

12" Towel Bar = 12" (305 mm); 18" Towel Bar = 18" (457 mm);

24" Towel Bar = 24" (610 mm)

See page 258J for simple installation instructions

6" HANDLE WITH 12" TOWEL BAR CAT. NO.	6" HANDLE WITH 18" TOWEL BAR CAT. NO.	6" HANDLE WITH 24" TOWEL BAR CAT. NO.	12" HANDLE WITH 24" TOWEL BAR CAT. NO.	FINISH
SDP6TB12CH	SDP6TB18CH	SDP6TB24CH	SDP12TB24CH	Polished Chrome
SDP6TB12SC	SDP6TB18SC	SDP6TB24SC	SDP12TB24SC	Satin Chrome (Matte)
SDP6TB12BN	SDP6TB18BN	SDP6TB24BN	SDP12TB24BN	Brushed Nickel
SDP6TB12PN	SDP6TB18PN	SDP6TB24PN	---	Polished Nickel
---	SDP6TB18ABN	SDP6TB24ABN	---	Antique Brushed Nickel
SDP6TB12BR	SDP6TB18BR	SDP6TB24BR	SDP12TB24BR	Polished Brass
SDP6TB12SB	SDP6TB18SB	SDP6TB24SB	---	Satin Brass
SDP6TB12ABR	SDP6TB18ABR	SDP6TB24ABR	SDP12TB24ABR	Antique Brass
SDP6TB12ORB	SDP6TB18ORB	SDP6TB24ORB	SDP12TB24ORB	Oil Rubbed Bronze
---	SDP6TB18BBRZ	SDP6TB24BBRZ	---	Brushed Bronze
SDP6TB12GM	SDP6TB18GM	SDP6TB24GM	---	Gun Metal
SDP6TB12GP	SDP6TB18GP	SDP6TB24GP	SDP12TB24GP	Gold Plated
SDP6TB12W	SDP6TB18W	SDP6TB24W	---	White
SDP6TB12BL	SDP6TB18BL	SDP6TB24BL	---	Black

Minimum order: 1 each. All Pulls and Bars can be combined for quantity pricing.



C.R. LAURENCE COMPANY

crlaurence.com | usalum.com

254J | crlaurence.ca crlaurence.com.au crlaurence.co.uk crlaurence.de crlaurence.eu

CRL PULL HANDLE/TOWEL BAR COMBINATIONS

For Pricing Visit crlaurence.com or Call Us Toll Free at the Phone Numbers Shown on the Back Cover

CRL Victorian Style Pull Handle/Towel Bar Combinations

- Part of Our Victorian Line of Accessories Featuring the Same Contoured Visual Appeal as Our Handles and Towel Bars
- Decorative Metal Washers
- Four Stock Sizes to Choose From

SPECIFICATIONS:

Material: Solid Brass

Glass Thickness Range: 1/4" (6 mm) to 1/2" (12 mm)

Hole Diameter Required: 1/2" (12 mm)

Center-to-Center Hole Spacing: 6" Pull Handle = 6" (152 mm);

8" Pull Handle = 8" (203 mm); 18" Towel Bar = 18" (457 mm);

24" Towel Bar = 24" (610 mm)

See page 258J for simple installation instructions

Victorian Style Pull Handle/Towel Bar Combination Sets are for glass mounting on shower doors. Each set consists of one Towel Bar and one Pull Handle, along with decorative metal washers. Four sizes are offered in up to 11 popular finishes. Custom finishes are available upon request.



FINISHES:



Most models are stocked in the finishes shown here, others are available on special order.

6" HANDLE WITH 18" TOWEL BAR CAT. NO.	6" HANDLE WITH 24" TOWEL BAR CAT. NO.	8" HANDLE WITH 18" TOWEL BAR CAT. NO.	8" HANDLE WITH 24" TOWEL BAR CAT. NO.	FINISH
V1C6X18CH	V1C6X24CH	V1C8X18CH	V1C8X24CH	Polished Chrome
V1C6X18SC	V1C6X24SC	V1C8X18SC	V1C8X24SC	Satin Chrome (Matte)
V1C6X18BN	V1C6X24BN	V1C8X18BN	V1C8X24BN	Brushed Nickel
---	---	V1C8X18PN	V1C8X24PN	Polished Nickel
---	---	V1C8X18ABN	V1C8X24ABN	Antique Brushed Nickel
V1C6X18BR	V1C6X24BR	V1C8X18BR	V1C8X24BR	Polished Brass
---	---	V1C8X18SB	V1C8X24SB	Satin Brass
V1C6X18RB	V1C6X24RB	V1C8X18RB	V1C8X24RB	Oil Rubbed Bronze
---	---	V1C8X18ABC0	---	Antique Brushed Copper
---	---	V1C8X18GM	---	Gun Metal
---	---	V1C8X18GP	---	Gold Plated

Minimum order: 1 each. All Pulls and Bars can be combined for quantity pricing.

CRL Colonial Style Pull Handle/Towel Bar Combinations

- Part of Colonial Line of Accessories Featuring the Same Design as Colonial Handles and Towel Bars
- Custom Finishes Available Upon Request

SPECIFICATIONS:

Material: Tubular Brass

Glass Thickness Range: 1/4" (6 mm) to 1/2" (12 mm)

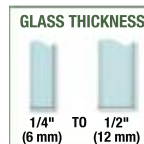
Hole Diameter Required: 1/2" (12 mm)

Center-to-Center Hole Spacing: 6" Pull Handle = 6" (152 mm)

18" Towel Bar = 18" (457 mm); 24" Towel Bar = 24" (610 mm)

See page 258J for simple installation instructions

The Colonial Style Combination Pull Handle/Towel Bar is a great choice to break away from the everyday looking accessory. The style and elegance will make this choice one to be noticed. Two sizes are stocked in six popular finishes. Custom finishes are available upon request.



FINISHES:



Most models are stocked in the finishes shown here, others are available on special order.

6" HANDLE WITH 18" TOWEL BAR CAT. NO.	6" HANDLE WITH 24" TOWEL BAR CAT. NO.	FINISH
COL6X18CH	COL6X24CH	Polished Chrome
COL6X18SC	COL6X24SC	Satin Chrome (Matte)
COL6X18BN	COL6X24BN	Brushed Nickel
COL6X18BR	COL6X24BR	Polished Brass
COL6X18ORB	COL6X24ORB	Oil Rubbed Bronze
COL6X18W	COL6X24W	White

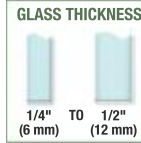
Minimum order: 1 each. All Pulls and Bars can be combined for quantity pricing.

CRL PULL HANDLE/TOWEL BAR COMBINATIONS

For Pricing Visit crlaurence.com or Call Us Toll Free at the Phone Numbers Shown on the Back Cover

CRL SQ Series Square Corner Pull Handle/Towel Bar Combinations

new



- Part of Our "SQ" Square Line of Accessories Featuring the Same Mitered Corners as Our Handles and Towel Bars
- Made of 3/4" (19 mm) Brass Tubing
- Four Sizes Available
- Six Stock Finishes, With Custom Finishes Available



SPECIFICATIONS:

Material: 3/4" (19 mm) Brass Tubing

Glass Thickness Range: 1/4" (6 mm) to 1/2" (12 mm)

Hole Diameter Required: 1/2" (12 mm)

Center-to-Center Hole Spacing: 6" Pull Handle = 6" (152 mm);

8" Pull Handle = 8" (203 mm); 18" Towel Bar = 18" (457 mm);

24" Towel Bar = 24" (610 mm);

See page 258J for simple installation instructions

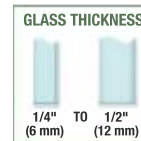
SQ Series Style Pull Handle/Towel Bar Combination Sets are for glass mounting on shower doors. Each set consists of one towel bar and one pull handle. Made of square tubing.

6" HANDLE WITH 18" TOWEL BAR CAT. NO.	6" HANDLE WITH 24" TOWEL BAR CAT. NO.	8" HANDLE WITH 18" TOWEL BAR CAT. NO.	8" HANDLE WITH 24" TOWEL BAR CAT. NO.	FINISH
SQ6X18CH	SQ6X24CH	SQ8X18CH	SQ8X24CH	Polished Chrome
SQ6X18SC	SQ6X24SC	SQ8X18SC	SQ8X24SC	Satin Chrome (Matte)
SQ6X18BN	SQ6X24BN	SQ8X18BN	SQ8X24BN	Brushed Nickel
SQ6X18PN	SQ6X24PN	SQ8X18PN	SQ8X24PN	Polished Nickel
SQ6X18BR	SQ6X24BR	SQ8X18BR	SQ8X24BR	Polished Brass
SQ6X18ORB	SQ6X24ORB	SQ8X18ORB	SQ8X24ORB	Oil Rubbed Bronze

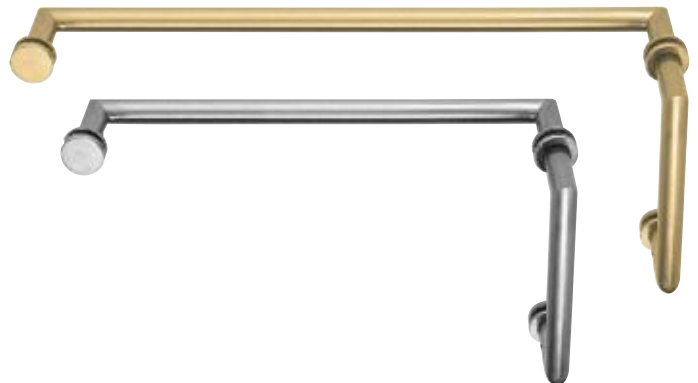
Minimum order: 1 each. All Pulls and Bars can be combined for quantity pricing.

CRL MT Series Round Tubing With Mitered Corners Pull Handle/Towel Bar Combinations

new



- Part of Our "MT" Round Tubing Line of Accessories Featuring the Same Mitered Corners as Our Handles and Towel Bars
- Made of 3/4" (19 mm) Diameter Brass Tubing
- Four Sizes Available
- Six Finishes to Choose From, With Custom Finishes Available



SPECIFICATIONS:

Material: 3/4" (19 mm) Diameter Brass Tubing

Glass Thickness Range: 1/4" (6 mm) to 1/2" (12 mm)

Hole Diameter Required: 1/2" (12 mm)

Center-to-Center Hole Spacing: 6" Pull Handle = 6" (152 mm);

8" Pull Handle = 8" (203 mm); 18" Towel Bar = 18" (457 mm);

24" Towel Bar = 24" (610 mm)

See page 258J for simple installation instructions

MT Series Style Pull Handle/Towel Bar Combination Sets are for glass mounting on shower doors. Each set consists of one towel bar and one pull handle, along with decorative metal washers. Bars are round tubes with mitered corners.

6" HANDLE WITH 18" TOWEL BAR CAT. NO.	6" HANDLE WITH 24" TOWEL BAR CAT. NO.	8" HANDLE WITH 18" TOWEL BAR CAT. NO.	8" HANDLE WITH 24" TOWEL BAR CAT. NO.	FINISH
MT6X18CH	MT6X24CH	MT8X18CH	MT8X24CH	Polished Chrome
MT6X18SC	MT6X24SC	MT8X18SC	MT8X24SC	Satin Chrome (Matte)
MT6X18BN	MT6X24BN	MT8X18BN	MT8X24BN	Brushed Nickel
MT6X18PN	MT6X24PN	MT8X18PN	MT8X24PN	Polished Nickel
MT6X18BR	MT6X24BR	MT8X18BR	MT8X24BR	Polished Brass
MT6X18ORB	MT6X24ORB	MT8X18ORB	MT8X24ORB	Oil Rubbed Bronze

Minimum order: 1 each. All Pulls and Bars can be combined for quantity pricing.



C.R. LAURENCE COMPANY

crlaurence.com | usalum.com

256J | crlaurence.ca crlaurence.com.au crlaurence.co.uk crlaurence.de crlaurence.eu

CRL PULL HANDLE/TOWEL BAR COMBINATIONS

For Pricing Visit crlaurence.com or Call Us Toll Free at the Phone Numbers Shown on the Back Cover

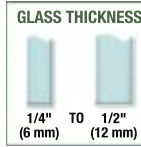
CRL Acrylic Pull Handle/Towel Bar Combinations

- Acrylic Material Assists in Perpetuating the 'All-Glass' Appearance
- Decorative Metal Ring Finishes Allow Matching of Surrounding Décor
- Three Stock Sizes to Choose From, With Custom Sizes Available



SPECIFICATIONS:

Materials: 3/4" (19 mm) Diameter Clear Acrylic Rod; 1-1/8" (28 mm) Diameter Brass Washers
Glass Thickness Range: 1/4" (6 mm) to 1/2" (12 mm)
Hole Diameter Required: 1/2" (12 mm)
Center-to-Center Hole Spacing:
 6" Pull Handle = 6" (152 mm); 8" Pull Handle = 8" (203 mm);
 18" Towel Bar = 18" (457 mm); 24" Towel Bar = 24" (610 mm)
See page 258J for simple installation instructions



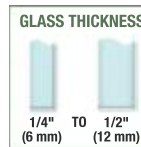
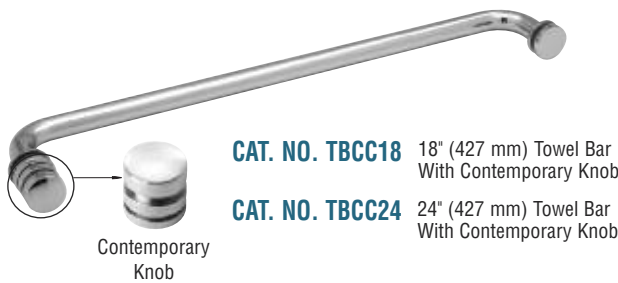
Acrylic Pull Handle/Towel Bar Combinations help maintain the see-through, 'all-glass' look preferred by many architects and designers. Constructed of 3/4" (19 mm) diameter clear acrylic rod, they are accented by attractive metal rings in finishes to match the surrounding décor. Three stock sizes are available, with custom sizes upon request.

6" HANDLE WITH 18" TOWEL BAR CAT. NO.	8" HANDLE WITH 18" TOWEL BAR CAT. NO.	8" HANDLE WITH 24" TOWEL BAR CAT. NO.	FINISH
CAC6X18CH	CAC8X18CH	CAC8X24CH	Polished Chrome
CAC6X18BN	CAC8X18BN	CAC8X24BN	Brushed Nickel
CAC6X18BR	CAC8X18BR	CAC8X24BR	Polished Brass

Minimum order: 1 each. All Pulls and Bars can be combined for quantity pricing.

CRL Knob/Towel Bar Combination Sets

- Towel Bars are Tubular Brass, Knobs are Solid Brass
- Two Sizes, and Two Knob Styles Available
- Nine Stock Finishes, With Custom Finishes Available



new



SPECIFICATIONS:

Material: Towel Bar 3/4" (19 mm) Diameter Brass Tubing, 1-1/4" (32 mm) Diameter Metal Washers; Knob-Solid Brass
Glass Thickness Range: 1/4" (6 mm) to 1/2" (12 mm)
Hole Diameter Required: 1/2" (12 mm)
Center-to-Center Hole Spacing: 18" Towel Bar = 18" (457 mm) 24" Towel Bar = 24" (610 mm)
See page 259J for simple installation instructions

Our New Towel Bar/Knob Combinations allow the flexibility of design that appeals to many homeowners, designers, and architects. The Towel Bars are constructed of tubular brass, thus keeping lighter weight hardware installed on the door. The Knobs are constructed of solid brass, with a choice of CRL's popular Contemporary or Traditional Styles. Decorative metal washers are included, with plastic washers to protect against glass-to-metal contact. Stocked in nine standard finishes, with custom finishes available upon request.

NOTE: Due to the wide variety of Towel Bars and Knobs that CRL stocks, it may be possible for you to construct the Towel Bar/Knob Combo you desire by purchasing separate component parts. In addition to the stock catalog numbers shown here, virtually all CRL Knobs will thread into our Towel Bars. Call our Frameless Shower Technical Sales Department for assistance.

TOWEL BARS WITH CONTEMPORARY KNOBS

CONTEMP. KNOB WITH 18" TOWEL BAR CAT. NO.	CONTEMP. KNOB WITH 24" TOWEL BAR CAT. NO.	FINISH
TBCC18CH	TBCC24CH	Polished Chrome
TBCC18SC	TBCC24SC	Satin Chrome (Matte)
TBCC18BN	TBCC24BN	Brushed Nickel
TBCC18PN	TBCC24PN	Polished Nickel
TBCC18BR	TBCC24BR	Polished Brass
TBCC18ABR	TBCC24ABR	Antique Brass
TBCC18BBRZ	TBCC24BBRZ	Brushed Bronze
TBCC18ORB	TBCC24ORB	Oil Rubbed Bronze
TBCC18ABCO	TBCC24ABCO	Antique Brushed Copper

Minimum order: 1 each. All Pull and Bars can be combined for quantity pricing.

TOWEL BARS WITH TRADITIONAL KNOBS

TRAD. KNOB WITH 18" TOWEL BAR CAT. NO.	TRAD. KNOB WITH 24" TOWEL BAR CAT. NO.	FINISH
TBCT18CH	TBCT24CH	Polished Chrome
TBCT18SC	TBCT24SC	Satin Chrome (Matte)
TBCT18BN	TBCT24BN	Brushed Nickel
TBCT18PN	TBCT24PN	Polished Nickel
TBCT18BR	TBCT24BR	Polished Brass
TBCT18ABR	TBCT24ABR	Antique Brass
TBCT18BBRZ	TBCT24BBRZ	Brushed Bronze
TBCT18ORB	TBCT24ORB	Oil Rubbed Bronze
TBCT18ABCO	TBCT24ABCO	Antique Brushed Copper

Minimum order: 1 each. All Pull and Bars can be combined for quantity pricing.



- Do it the Right Way the First Time



CRL Combination Door Pull and Towel Bar Installation Instructions

There are eleven hardware components for Combination Door Pull and Towel Bar mounting: one Towel Bar; one Pull Handle; two 3/4" (19 mm) tall End Caps with threaded studs; Six 1-1/4" (32 mm) Metal Washers; one Stud Head Screw. In addition to these hardware parts, there are nine Clear Washers that act as a buffer between the hardware and the glass.

STEP 1

Take the Stud Head Screw and sleeve a 1-1/4" (32 mm) Metal Washer on it. Now take both 3/4" (19 mm) tall End Caps with a stud protruding and sleeve a 1-1/4" (32 mm) Metal Washer on them. Sleeve a Clear Washer on each of the screws.

STEP 2

The Towel Bar will be mounted first. Take the Stud Head Screw with the Washers attached, and from inside the shower enclosure push the threaded portion through the top hole in the glass on the strike side of the door. Place a Clear Washer, then a 1-1/4" (32 mm) Metal Washer over the Stud Head Screw on the exterior side of the shower enclosure. Now thread the Stud Head Screw into the Towel Bar and tighten. On the other end of the Towel Bar (the door hinge side) push one of the 3/4" (19 mm) tall End Caps with the stud protruding through the hole. Now place a Clear Washer, then a 1-1/4" (32 mm) Metal Washer over the threaded stud on the exterior side. Thread the 3/4" (19 mm) tall End Cap into the Towel Bar and tighten by hand. Tighten both components down, the Stud Head Screw with a screwdriver, the 3/4" (19 mm) tall End Cap by hand.

STEP 3

The Towel Bar is now complete and it is time to mount the Pull Handle portion. From outside the enclosure, push the 3/4" (19 mm) tall End Cap with the stud protruding through the bottom hole in the door. First place a Clear Washer, then a 1-1/4" (32 mm) Metal Washer over the threaded stud on the inside of the shower enclosure. Now thread the stud into the small threaded opening of the Pull. Do not tighten this end of the Pull down at this time. Place the end of the Pull with the large hole and the set screw over the stud head. Now tighten the 3/4" (19 mm) End Cap by hand as tight as possible. Use the Allen Wrench provided to tighten the Set Screw on the Pull Handle to the Stud Head Screw.

For mounting instructions using Acrylic Pulls or Towel Bars, please call CRL Shower Technical Sales at (800) 421-6144, Ext. 7740 for details.



CRL Single-Sided Towel Bar or Door Pull Installation Instructions

Hardware components for mounting: Two End Caps with threaded studs; the Pull or Towel Bar; Four Clear Washers that act as a buffer between the hardware and the glass; Two Clear Plastic Bushings.



- STEP 1** Take both of the End Caps with the threaded studs protruding, and sleeve one Clear Washer on each. Then sleeve a Clear Plastic Bushing onto the stud.
- STEP 2** From the inside of the shower, push the End Cap with threaded stud through the hole in the glass. The Clear Plastic Bushing acts as a buffer between the threaded stud and glass.
- STEP 3** Sleeve a Clear Washer on the threaded stud on the exterior side of the enclosure.
- STEP 4** Place the Pull or Towel Bar into position and thread the stud into the bar until tight. Repeat this process on the other end.

• Quick, Simple, and Secure



CRL Back-to-Back Pull or Towel Bar Mounting Instructions

Hardware components for back-to-back mounting: Two Pulls; Four 1-1/4" (32 mm) Metal Washers (some series). In addition to these hardware parts there are: Four Clear Washers; Two Clear Plastic Bushings; Two Stud Head Mounting Screws. A decision must be made at this time as to the location of the half of the Pull that contains the set screws. Most installers put the set screws to the outside of the enclosure so they are not exposed to direct water contact. These instructions will address this application.



- STEP 1** Take the two Stud Head Mounting screws and sleeve one 1-1/4" (32 mm) Metal Washer (some Series) on each Screw. Next, sleeve one of the Clear Washers onto the Screw. Sleeve a Clear Plastic Bushing onto the Stud. From the outside of the enclosure, push the thread of the Screw through the hole in the glass. On the inside of the enclosure, sleeve a Clear Washer onto the threads of the Screw. Place the 1-1/4" (32 mm) Metal Washer (some Series) over the threads and onto the glass.
- STEP 2** Take the Pull that has the smaller threaded holes in each end and begin to thread the Screw into it. Line up the other end of the Pull with the other Screw and begin to thread it through as well. Tighten both Screws to "finger-tightness", then tighten the Stud Head Screws down permanently with a screwdriver.
- STEP 3** Place the remaining Pull, with the large holes in each end as well as a set screw, onto the stud heads of the Screws. Tighten the set screws with the Allen Wrench provided.

For mounting instructions using Acrylic Pulls or Towel Bars, please call CRL Shower Technical Sales at (800) 421-6144, Ext. 7740 for details.

CRL SINGLE-SIDED TOWEL BARS

For Pricing Visit crlaurence.com or Call Us Toll Free at the Phone Numbers Shown on the Back Cover

CRL BM Series Single-Sided Tubular Towel Bars With Metal Washers

- Our Most Popular Single-Sided Towel Bar Series
- Decorative Metal Washers Also Serve to Cover Any Defect in Hole in Glass
- Heavy 3/4" (19 mm) Diameter Tubular Construction
- Numerous Finish Choices in Sizes Ranging From 12" (305 mm) to 30" (762 mm)
- Custom Finishes Available



The BM Series of Single-Sided Towel Bars With Metal Washers are designed for glass mounting on fixed panels or doors. The 3/16" (5 mm) low profile end caps make this an ideal bar for sliding bypass doors as well. Bars are constructed of 1.5 mil thick heavy brass tubing. Decorative metal backup washers are included, as well as plastic washers to protect against glass-to-metal contact.

SPECIFICATIONS:

Material: 3/4" (19 mm) Diameter Brass Tubing (1.5 mil thick); 1-1/4" (32 mm) Diameter Metal Washers

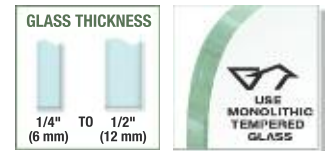
Glass Thickness Range: 1/4" (6 mm) to 1/2" (12 mm)

Hole Diameter Required: 1/2" (12 mm)

Center-to-Center Hole Spacing:

12" Towel Bar = 12" (305 mm); 18" Towel Bar = 18" (457 mm);
20" Towel Bar = 20" (508 mm); 22" Towel Bar = 22" (559 mm);
24" Towel Bar = 24" (610 mm); 26" Towel Bar = 26" (660 mm);
27" Towel Bar = 27" (686 mm); 28" Towel Bar = 28" (711 mm);
30" Towel Bar = 30" (762 mm)

See page 259J for simple installation instructions



12" (305 MM) CAT. NO.	18" (457 MM) CAT. NO.	20" (508 MM) CAT. NO.	22" (559 MM) CAT. NO.	FINISH
BM12CH	BM18CH	BM20CH	BM22CH	Polished Chrome
BM12SC	BM18SC	BM20SC	BM22SC	Satin Chrome (Matte)
BM12BSC	BM18BSC	BM20BSC	BM22BSC	Brushed Satin Chrome
BM12BN	BM18BN	BM20BN	BM22BN	Brushed Nickel
BM12PN	BM18PN	BM20PN	BM22PN	Polished Nickel
---	BM18SN	---	---	Satin Nickel
---	BM18ABN	---	---	Antique Brushed Nickel
BM12BR	BM18BR	BM20BR	BM22BR	Polished Brass
BM12SB	BM18SB	BM20SB	BM22SB	Satin Brass
BM12ABR	BM18ABR	BM20ABR	BM22ABR	Antique Brass
BM12ORB	BM18ORB	BM20ORB	BM22ORB	Oil Rubbed Bronze
---	BM18ABRZ	---	---	Antique Bronze
---	---	BM20ABCO	---	Antique Brushed Copper
BM12W	BM18W	BM20W	BM22W	White
---	BM18BL	---	BM22BL	Black

Minimum order: 1 each. All Towel Bars can be combined for quantity pricing.

24" (610 MM) CAT. NO.	26" (660 MM) CAT. NO.	27" (686 MM) CAT. NO.	28" (711 MM) CAT. NO.	30" (762 MM) CAT. NO.	FINISH
BM24CH	BM26CH	BM27CH	BM28CH	BM30CH	Polished Chrome
BM24SC	BM26SC	BM27SC	BM28SC	BM30SC	Satin Chrome (Matte)
BM24BSC	BM26BSC	BM27BSC	BM28BSC	BM30BSC	Brushed Satin Chrome
BM24BN	BM26BN	BM27BN	BM28BN	BM30BN	Brushed Nickel
BM24PN	BM26PN	BM27PN	BM28PN	BM30PN	Polished Nickel
BM24SN	---	---	---	---	Satin Nickel
BM24ABN	---	---	---	---	Antique Brushed Nickel
BM24BR	BM26BR	BM27BR	BM28BR	BM30BR	Polished Brass
BM24SB	BM26SB	BM27SB	BM28SB	BM30SB	Satin Brass
---	BM26ABR	---	BM28ABR	BM30ABR	Antique Brass
BM24ORB	BM26ORB	BM27ORB	BM28ORB	BM30ORB	Oil Rubbed Bronze
BM24ABRZ	---	---	---	---	Antique Bronze
BM24ABCO	---	---	---	---	Antique Brushed Copper
BM24W	BM26W	BM27W	BM28W	BM30W	White
BM24BL	---	---	---	---	Black

Minimum order: 1 each. All Towel Bars can be combined for quantity pricing.



C.R. LAURENCE COMPANY

crlaurence.com | usalum.com

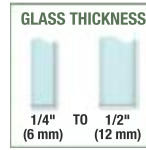
260J | crlaurence.ca crlaurence.com.au crlaurence.co.uk crlaurence.de crlaurence.eu

CRL SINGLE-SIDED TOWEL BARS

For Pricing Visit crlaurence.com or Call Us Toll Free at the Phone Numbers Shown on the Back Cover

CRL BM Series Single-Sided Tubular Towel Bars Without Metal Washers

- This Single-Sided Towel Bar With No Metal Washers Creates a Sleek, Continuous Profile
- Heavy 3/4" (19 mm) Diameter Tubular Construction
- Numerous Finish Choices in Sizes Ranging From 12" (305 mm) to 30" (762 mm)
- Custom Finishes Available



SPECIFICATIONS:

Material: 3/4" (19 mm) Diameter Brass Tubing (1.5 mil thick)

Glass Thickness Range: 1/4" (6 mm) to 1/2" (12 mm)

Hole Diameter Required: 1/2" (12 mm)

Center-to-Center Hole Spacing:

12" Towel Bar = 12" (305 mm); 18" Towel Bar = 18" (457 mm);

20" Towel Bar = 20" (508 mm); 22" Towel Bar = 22" (559 mm);

24" Towel Bar = 24" (610 mm); 26" Towel Bar = 26" (660 mm);

27" Towel Bar = 27" (686 mm); 28" Towel Bar = 28" (711 mm);

30" Towel Bar = 30" (762 mm)

See page 259J for simple installation instructions

The BM Series of Single-Sided Towel Bars Without Metal Washers are designed for glass mounting on fixed panels or doors. The 1/8" (3 mm) low profile end caps make this an ideal bar for sliding bypass doors as well. The bars are constructed of 1.5 mil thick heavy brass tubing. Plastic washers protect against glass-to-metal contact.

12" (305 MM) CAT. NO.	18" (457 MM) CAT. NO.	20" (508 MM) CAT. NO.	22" (559 MM) CAT. NO.	FINISH
BMNW12CH	BMNW18CH	BMNW20CH	BMNW22CH	Polished Chrome
BMNW12SC	BMNW18SC	BMNW20SC	BMNW22SC	Satin Chrome (Matte)
BMNW12BSC	BMNW18BSC	BMNW20BSC	BMNW22BSC	Brushed Satin Chrome
BMNW12BN	BMNW18BN	BMNW20BN	BMNW22BN	Brushed Nickel
BMNW12PN	BMNW18PN	BMNW20PN	BMNW22PN	Polished Nickel
BMNW12BR	BMNW18BR	BMNW20BR	BMNW22BR	Polished Brass
---	BMNW18SB	BMNW20SB	BMNW22SB	Satin Brass
BMNW12ORB	BMNW18ORB	BMNW20ORB	BMNW22ORB	Oil Rubbed Bronze
---	BMNW18GP	---	---	Gold Plated
BMNW12W	BMNW18W	BMNW20W	BMNW22W	White

Minimum order: 1 each. All Towel Bars can be combined for quantity pricing.

24" (610 MM) CAT. NO.	26" (660 MM) CAT. NO.	27" (686 MM) CAT. NO.	28" (711 MM) CAT. NO.	30" (762 MM) CAT. NO.	FINISH
BMNW24CH	BMNW26CH	BMNW27CH	BMNW28CH	BMNW30CH	Polished Chrome
BMNW24SC	BMNW26SC	BMNW27SC	BMNW28SC	BMNW30SC	Satin Chrome (Matte)
BMNW24BSC	BMNW26BSC	BMNW27BSC	BMNW28BSC	BMNW30BSC	Brushed Satin Chrome
BMNW24BN	BMNW26BN	BMNW27BN	BMNW28BN	BMNW30BN	Brushed Nickel
BMNW24PN	BMNW26PN	BMNW27PN	BMNW28PN	BMNW30PN	Polished Nickel
BMNW24ABN	---	---	---	---	Antique Brushed Nickel
BMNW24BR	BMNW26BR	BMNW27BR	BMNW28BR	BMNW30BR	Polished Brass
BMNW24SB	BMNW26SB	BMNW27SB	BMNW28SB	BMNW30SB	Satin Brass
---	BMNW26ABR	---	---	---	Antique Brass
BMNW24ORB	BMNW26ORB	BMNW27ORB	BMNW28ORB	BMNW30ORB	Oil Rubbed Bronze
BMNW24W	BMNW26W	BMNW27W	BMNW28W	BMNW30W	White

Minimum order: 1 each. All Towel Bars can be combined for quantity pricing.

CRL Finger Pull Knob

- Perfect for Use With Our BMNW Single-Sided Towel Bars Above

SPECIFICATIONS:

Material: Solid Brass

Glass Thickness Range: 1/4" (6 mm) to 1/2" (12 mm)

Hole Diameter Required: 13/16" or 7/8" (21 mm or 22 mm)

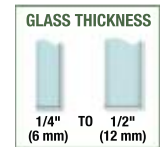
new

The NEW Finger Pull Knob is ideal for use with CRL Bypass Sliding Shower Door Systems. They allow for easy opening of the doors from inside the shower enclosure. The 1/4-20 threading of the Finger Pull Knob makes it compatible with most other CRL Towel Bars and Knobs, including our BMNW Series above. Stocked in our four most popular finishes. Custom finishes available upon demand.



CAT. NO.	FINISH
FPK1CH	Polished Chrome
FPK1BN	Brushed Nickel
FPK1BR	Polished Brass
FPK1ORB	Oil Rubbed Bronze

Minimum order: 1 each. All Knobs can be combined for quantity pricing.



CRL SINGLE-SIDED TOWEL BARS

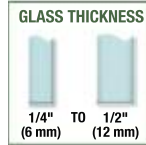
For Pricing Visit crlaurence.com or Call Us Toll Free at the Phone Numbers Shown on the Back Cover

CRL SD Series Single-Sided Tubular Towel Bars With Metal Washers

- Traditional Towel Bar Appearance and Style
- Heavy 3/4" (19 mm) Diameter Tubular Construction
- Numerous Finish Choices in Popular Sizes
- Custom Finishes Available



See the complete range of beautiful shower hardware finishes on page 114J



SPECIFICATIONS:

Material: 3/4" (19 mm) Diameter Brass Tubing (1.5 mil thick); 1-1/4" (32 mm) Diameter Metal Washers

Glass Thickness Range: 1/4" (6 mm) to 1/2" (12 mm)

Hole Diameter Required: 1/2" (12 mm)

Center-to-Center Hole Spacing: 12" Towel Bar = 12" (305 mm); 18" Towel Bar = 18" (457 mm); 24" Towel Bar = 24" (610 mm)

See page 259J for simple installation instructions

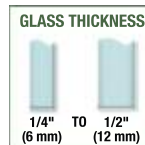
These Single-Sided Towel Bars are designed for use on frameless glass doors or fixed panels. Bars are made from 3/4" (19 mm) diameter brass tubing, and come with matching finish metal washers. The inside end cap protrudes only 1/4" (6 mm) from the glass surface. Three popular sizes offered in up to 11 finishes. Custom finishes are available upon request.

12" (305 MM) CAT. NO.	18" (457 MM) CAT. NO.	24" (610 MM) CAT. NO.	FINISH
SDTBS12CH	SDTBS18CH	SDTBS24CH	Polished Chrome
SDTBS12SC	SDTBS18SC	SDTBS24SC	Satin Chrome (Matte)
SDTBS12BN	SDTBS18BN	SDTBS24BN	Brushed Nickel
SDTBS12PN	SDTBS18PN	SDTBS24PN	Polished Nickel
SDTBS12BR	SDTBS18BR	SDTBS24BR	Polished Brass
SDTBS12SB	SDTBS18SB	SDTBS24SB	Satin Brass
---	SDTBS18ABR	SDTBS24ABR	Antique Brass
---	SDTBS18BBRZ	SDTBS24BBRZ	Brushed Bronze
SDTBS12ORB	SDTBS18ORB	SDTBS24ORB	Oil Rubbed Bronze
SDTBS12GP	SDTBS18GP	SDTBS24GP	Gold Plated
SDTBS12W	SDTBS18W	SDTBS24W	White

Minimum order: 1 each. All Towel Bars can be combined for quantity pricing.

CRL Acrylic Single-Sided Towel Bars

- Acrylic Material Helps Perpetuate the 'All-Glass' Look
- Choice of Metal Accent Ring Washers to Assist in Matching Various Decors
- Two Popular Towel Bar Sizes



RING FINISHES:



Most models are stocked in the finishes shown here, others are available on special order.

SPECIFICATIONS:

Material: 3/4" (19 mm) Diameter Clear Acrylic Rod; 1-1/8" (28 mm) Diameter Brass Washers

Glass Thickness Range: 1/4" (6 mm) to 1/2" (12 mm)

Hole Diameter Required: 1/2" (12 mm)

Center-to-Center Hole Spacing: 18" Towel Bar = 18" (457 mm); 24" Towel Bar = 24" (610 mm)

See page 259J for simple installation instructions

Acrylic Single-Sided Towel Bars have a "see-through" look that enhances the 'all-glass' appearance of the modern frameless shower door. They are formed of 3/4" (19 mm) clear acrylic rod, and secured with your choice of polished chrome, polished brass or brushed nickel accent ring washers. End Caps are 1/8" (3 mm) low profile depth.

18" (457 MM) CAT. NO.	24" (610 MM) CAT. NO.	ACCENT RING FINISH
CATB18CH	CATB24CH	Polished Chrome
CATB18BN	CATB24BN	Brushed Nickel
CATB18BR	CATB24BR	Polished Brass

Minimum order: 1 each. All Towel Bars can be combined for quantity pricing.



C.R. LAURENCE COMPANY

crlaurence.com | usalum.com

262J | crlaurence.ca crlaurence.com.au crlaurence.co.uk crlaurence.de crlaurence.eu

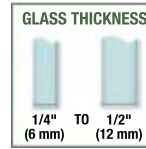
CRL Colonial Style Single-Sided Towel Bars

- Unique Appearance With Multiple Contours and Fittings
- Integrated All Brass Hardware
- Nine Stock Finishes, With Custom Finishes Available

SPECIFICATIONS:

Material: 3/4" (19 mm) Diameter Brass Tubing
Glass Thickness Range: 1/4" (6 mm) to 1/2" (12 mm)
Hole Diameter Required: 1/2" (12 mm)
Center-to-Center Hole Spacing: 18" Towel Bar = 18" (457 mm); 24" Towel Bar = 24" (610 mm)
 See page 259J for simple installation instructions

The Colonial Style Single-Sided Towel Bar has a unique appearance and visual appeal. The multiple contours of the Towel Bar, along with the numerous integrated brass hardware fittings, make this Towel Bar one you will surely consider for a lasting impression of your frameless shower enclosure. Nine popular stock finishes are available, with custom finishes upon request. The Colonial Style Single-Sided Towel Bar will work with 1/4" (6 mm) to 1/2" (12 mm) thick glass. **NOTE:** Not designed for sliding doors.



18" (457 MM) CAT. NO.	24" (610 MM) CAT. NO.	FINISH
COL18CH	COL24CH	Polished Chrome
COL18SC	COL24SC	Satin Chrome (Matte)
COL18BN	COL24BN	Brushed Nickel
COL18PN	COL24PN	Polished Nickel
COL18BR	COL24BR	Polished Brass
---	COL24SB	Satin Brass
COL18ABR	COL24ABR	Antique Brass
COL18ORB	COL24ORB	Oil Rubbed Bronze
---	COL24W	White

Minimum order: 1 each. All Towel Bars can be combined for quantity pricing.

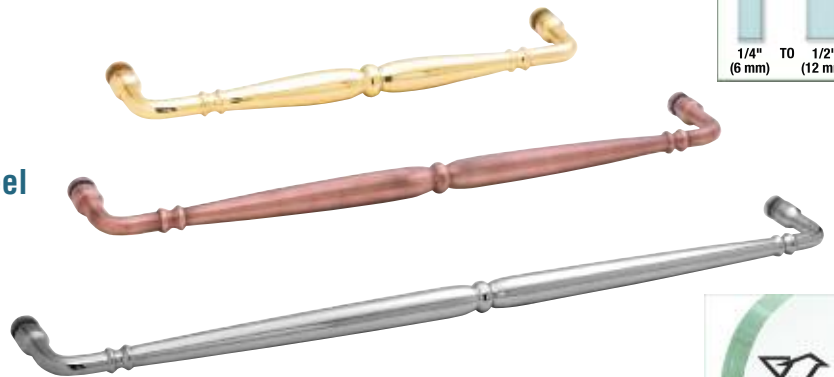
CRL Victorian Style Single-Sided Towel Bars

- Eye-Catching Appeal With a Contoured Appearance
- Firm Grip With a Strong Solid Brass Feel
- Up to Ten Stock Finishes to Choose From, With Custom Finishes Available

SPECIFICATIONS:

Material: Solid Brass
Glass Thickness Range: 1/4" (6 mm) to 1/2" (12 mm)
Hole Diameter Required: 1/2" (12 mm)
Center-to-Center Hole Spacing: 12" Towel Bar = 12" (305 mm); 18" Towel Bar = 18" (457 mm); 24" Towel Bar = 24" (610 mm)
 See page 259J for simple installation instructions

Victorian Style Single-Sided Towel Bars are designed for glass mounting on fixed panels or doors. The eye-catching design features the same contoured, "woodturning" visual appeal to match our popular Victorian Style Back-to-Back Pull Handles. Decorative metal washers provide the finishing touch. Up to ten stock finishes are provided, with custom finishes available.



12" (305 MM) CAT. NO.	18" (457 MM) CAT. NO.	24" (610 MM) CAT. NO.	FINISH
V1C12CH	V1C18CH	V1C24CH	Polished Chrome
V1C12SC	V1C18SC	V1C24SC	Satin Chrome (Matte)
V1C12BN	V1C18BN	V1C24BN	Brushed Nickel
V1C12PN	V1C18PN	V1C24PN	Polished Nickel
V1C12SN	V1C18SN	V1C24SN	Satin Nickel
---	---	V1C24ABN	Antique Brushed Nickel
V1C12BR	V1C18BR	V1C24BR	Polished Brass
---	V1C18ABR	V1C24ABR	Antique Brass
V1C12ORB	V1C18ORB	V1C24ORB	Oil Rubbed Bronze
---	V1C18ABC0	---	Antique Brushed Copper

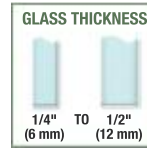
Minimum order: 1 each. All Towel Bars can be combined for quantity pricing.

CRL SINGLE-SIDED TOWEL BARS

For Pricing Visit crlaurence.com or Call Us Toll Free at the Phone Numbers Shown on the Back Cover

CRL Crescent Style Single-Sided Towel Bars

- Eye-Catching Appeal With an Arched Appearance
- Adds Elegance to Shower Enclosure
- Nine Stock Finishes, With Custom Finishes Available



SPECIFICATIONS:

Material: 3/4" (19 mm) Diameter Brass Tubing

Glass Thickness Range: 1/4" (6 mm) to 1/2" (12 mm)

Hole Diameter Required: 1/2" (12 mm)

Center-to-Center Hole Spacing: 18" Towel Bar = 18" (457 mm); 24" Towel Bar = 24" (610 mm)

See page 259J for simple installation instructions

The Crescent Style Single-Sided Towel Bar is designed for glass mounting on fixed panels or swinging doors. The eye-catching design features tubular brass in an arched appearance that lends style and elegance to any shower enclosure. Crescent Style Single-Sided Towel Bars are available in two popular sizes and several beautiful finishes. Custom finishes available upon request. **NOTE:** Not designed for sliding doors.

18" (457 MM) CAT. NO.	24" (610 MM) CAT. NO.	FINISH
CSH18CH	CSH24CH	Polished Chrome
CSH18SC	CSH24SC	Satin Chrome (Matte)
CSH18BSC	CSH24BSC	Brushed Satin Chrome
CSH18BN	CSH24BN	Brushed Nickel
CSH18PN	CSH24PN	Polished Nickel
CSH18BR	CSH24BR	Polished Brass
CSH18SB	CSH24SB	Satin Brass
CSH18ORB	CSH24ORB	Oil Rubbed Bronze
CSH18W	CSH24W	White

Minimum order: 1 each. All Towel Bars can be combined for quantity pricing.



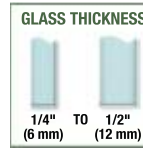
C.R. LAURENCE COMPANY

crlaurence.com | usalum.com

264J | crlaurence.ca crlaurence.com.au crlaurence.co.uk crlaurence.de crlaurence.eu

CRL MT Series Round Tubing Mitered Corner Single-Sided Towel Bars

- Round Tubing With Mitered Corners Adds Contrast to Décor
- No Metal Washers Creates a Sleek Appearance
- Stocked in Popular 18" (457 mm) and 24" (610 mm) Sizes
- Nine Stock Finishes, With Custom Finishes Available



SPECIFICATIONS:

Material: 3/4" (19 mm) Diameter Brass Tubing
Glass Thickness Range: 1/4" (6 mm) to 1/2" (12 mm)
Hole Diameter Required: 1/2" (12 mm)
Center-to-Center Hole Spacing: 18" Towel Bar = 18" (457 mm);
 24" Towel Bar = 24" (610 mm)
 See page 259J for simple installation instructions

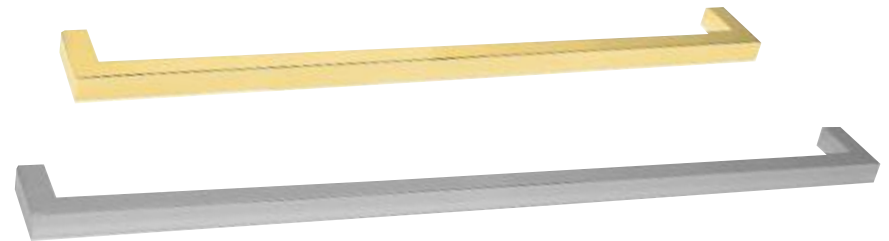
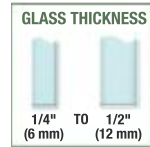
The Round Tubing Mitered Corner Single-Sided Towel Bar offers the contrast of round tubing along with square mitered corners. The round tubing provides a comfortable gripping surface and strong feel. The geometry of the shape will make it a favorite to match many of CRL's Hinge shapes and styles. Stocked in popular 18" (457 mm) and 24" (610 mm) sizes. Nine standard finishes are offered, with custom finishes available upon request.

18" (457 MM) CAT. NO.	24" (610 MM) CAT. NO.	FINISH
MT18CH	MT24CH	Polished Chrome
MT18SC	MT24SC	Satin Chrome (Matte)
MT18BSC	MT24BSC	Brushed Satin Chrome
MT18BN	MT24BN	Brushed Nickel
MT18PN	MT24PN	Polished Nickel
MT18SN	MT24SN	Satin Nickel
MT18BR	MT24BR	Polished Brass
MT18ORB	MT24ORB	Oil Rubbed Bronze
MT18W	MT24W	White

Minimum order: 1 each. All Towel Bars can be combined for quantity pricing.

CRL SQ Series Square Tubing Mitered Corner Single-Sided Towel Bars

- Clean and Modern Look
- Two Sizes Available
- Nine Stock Finishes to Choose From, With Custom Finishes Available



SPECIFICATIONS:

Material: 3/4" (19 mm) Brass Tubing
Glass Thickness Range: 1/4" (6 mm) to 1/2" (12 mm)
Hole Diameter Required: 1/2" (12 mm)
Center-to-Center Hole Spacing: 18" Towel Bar = 18" (457 mm);
 24" Towel Bar = 24" (610 mm)
 See page 259J for simple installation instructions

These sharp looking SQ Series Square Tubing Mitered Corner Single-Sided Towel Bars offer the clean and modern style that many designers prefer. They perfectly complement numerous CRL Hinge Series with similar corner styles, such as Geneva, Vienna, Concord, Cardiff, and others. Available in 18" (457 mm) and 24" (610 mm) sizes. Nine stock finishes are available, with custom finishes available upon request.

NOTE: Not designed for sliding doors.

18" (457 MM) CAT. NO.	24" (610 MM) CAT. NO.	FINISH
SQ18CH	SQ24CH	Polished Chrome
SQ18SC	SQ24SC	Satin Chrome (Matte)
SQ18BSC	SQ24BSC	Brushed Satin Chrome
SQ18BN	SQ24BN	Brushed Nickel
SQ18PN	SQ24PN	Polished Nickel
SQ18SN	SQ24SN	Satin Nickel
SQ18BR	SQ24BR	Polished Brass
SQ18ORB	SQ24ORB	Oil Rubbed Bronze
SQ18W	SQ24W	White

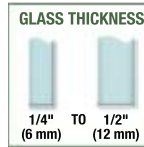
Minimum order: 1 each. All Towel Bars can be combined for quantity pricing.

CRL BACK-TO-BACK TOWEL BARS

For Pricing Visit crlaurence.com or Call Us Toll Free at the Phone Numbers Shown on the Back Cover

CRL BM Series Back-to-Back Tubular Towel Bars With Metal Washers

- Our Most Popular Back-to-Back Towel Bar Series
- Decorative Metal Washers Also Serve to Cover Any Defect in Hole in Glass
- Custom Finishes Available



SPECIFICATIONS:

Material: 3/4" (19 mm) Diameter Brass Tubing (1.5 mil thick); 1-1/4" (32 mm) Diameter Metal Washers

Glass Thickness Range: 1/4" (6 mm) to 1/2" (12 mm)

Hole Diameter Required: 1/2" (12 mm)

Center-to-Center Hole Spacing: 12" Towel Bar = 12" (305 mm); 18" Towel Bar = 18" (457 mm); 24" Towel Bar = 24" (610 mm); 30" Towel Bar = 30" (762 mm).

See page 259J for simple installation instructions

The BM Series of Back-to-Back Towel Bars With Metal Washers are constructed of heavy brass tubing. Decorative metal back-up washers are included, as well as plastic washers to protect against glass-to-metal contact. Consists of one Bar for each side of the door in four standard sizes. Up to 15 popular finishes are carried, with custom finishes available.

12" (305 MM) CAT. NO.	18" (457 MM) CAT. NO.	24" (610 MM) CAT. NO.	30" (762 MM) CAT. NO.	FINISH
BM12X12CH	BM18X18CH	BM24X24CH	BM30X30CH	Polished Chrome
BM12X12SC	BM18X18SC	BM24X24SC	BM30X30SC	Satin Chrome (Matte)
BM12X12BSC	BM18X18BSC	BM24X24BSC	BM30X30BSC	Brushed Satin Chrome
BM12X12BN	BM18X18BN	BM24X24BN	BM30X30BN	Brushed Nickel
BM12X12PN	BM18X18PN	BM24X24PN	BM30X30PN	Polished Nickel
BM12X12SN	BM18X18SN	BM24X24SN	BM30X30SN	Satin Nickel
BM12X12ABN	BM18X18ABN	BM24X24ABN	BM30X30ABN	Antique Brushed Nickel
BM12X12BR	BM18X18BR	BM24X24BR	BM30X30BR	Polished Brass
BM12X12SB	BM18X18SB	BM24X24SB	BM30X30SB	Satin Brass
BM12X12ABR	BM18X18ABR	BM24X24ABR	BM30X30ABR	Antique Brass
BM12X12ORB	BM18X18ORB	BM24X24ORB	BM30X30ORB	Oil Rubbed Bronze
---	BM18X18ABRZ	---	---	Antique Bronze
---	BM18X18ABC0	BM24X24ABC0	---	Antique Brushed Copper
---	---	BM24X24BC0	---	Brushed Copper
BM12X12W	BM18X18W	BM24X24W	BM30X30W	White

Minimum order: 1 each. All Towel Bars can be combined for quantity pricing.

CRL BM Series Back-to-Back Tubular Towel Bars Without Metal Washers

- A Very Popular Back-to-Back Towel Bar
- No Metal Washers Creates a Sleek, Continuous Profile of a Pull Handle
- Heavy 3/4" (19 mm) Diameter Construction

SPECIFICATIONS:

Material: 3/4" (19 mm) Diameter Brass Tubing (1.5 mil thick)

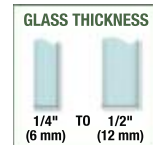
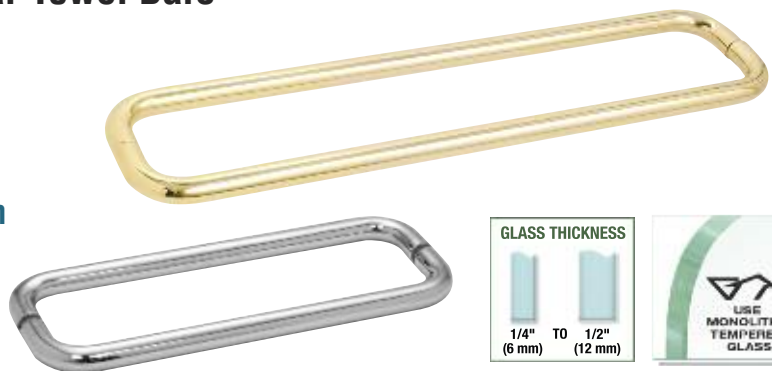
Glass Thickness Range: 1/4" (6 mm) to 1/2" (12 mm)

Hole Diameter Required: 1/2" (12 mm)

Center-to-Center Hole Spacing: 12" Towel Bar = 12" (305 mm); 18" Towel Bar = 18" (457 mm); 24" Towel Bar = 24" (610 mm); 30" Towel Bar = 30" (762 mm)

See page 259J for simple installation instructions

The BM Series of Back-to-Back Towel Bars Without Metal Washers are constructed of heavy brass tubing. Plastic washers are included to protect against glass-to-metal contact. Consists of one Bar for each side of the door in four standard sizes. Up to 12 popular finishes are carried, with custom finishes available.



12" (305 MM) CAT. NO.	18" (457 MM) CAT. NO.	24" (610 MM) CAT. NO.	30" (762 MM) CAT. NO.	FINISH
BMNW12X12CH	BMNW18X18CH	BMNW24X24CH	BMNW30X30CH	Polished Chrome
BMNW12X12SC	BMNW18X18SC	BMNW24X24SC	BMNW30X30SC	Satin Chrome (Matte)
BMNW12X12BSC	BMNW18X18BSC	BMNW24X24BSC	BMNW30X30BSC	Brushed Satin Chrome
BMNW12X12BN	BMNW18X18BN	BMNW24X24BN	BMNW30X30BN	Brushed Nickel
BMNW12X12PN	BMNW18X18PN	BMNW24X24PN	BMNW30X30PN	Polished Nickel
BMNW12X12SN	BMNW18X18SN	BMNW24X24SN	BMNW30X30SN	Satin Nickel
BMNW12X12BR	BMNW18X18BR	BMNW24X24BR	BMNW30X30BR	Polished Brass
BMNW12X12SB	BMNW18X18SB	BMNW24X24SB	BMNW30X30SB	Satin Brass
---	---	BMNW24X24ABR	---	Antique Brass
BMNW12X12ORB	BMNW18X18ORB	BMNW24X24ORB	BMNW30X30ORB	Oil Rubbed Bronze
---	---	BMNW24X24ABRZ	---	Antique Bronze
BMNW12X12W	BMNW18X18W	BMNW24X24W	BMNW30X30W	White

Minimum order: 1 each. All Towel Bars can be combined for quantity pricing.



C.R. LAURENCE COMPANY

crlaurence.com | usalum.com

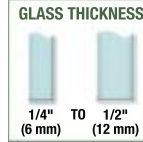
266J | crlaurence.ca crlaurence.com.au crlaurence.co.uk crlaurence.de crlaurence.eu

CRL BACK-TO-BACK TOWEL BARS

For Pricing Visit crlaurence.com or Call Us Toll Free at the Phone Numbers Shown on the Back Cover

CRL SD Series Back-to-Back Tubular Towel Bars

- Traditional Towel Bar Appearance and Style
- Heavy 3/4" (19 mm) Diameter Tubular Construction With Metal Washers
- Numerous Finish Choices
- Custom Finishes Available



SPECIFICATIONS:

Material: 3/4" (19 mm) Diameter Brass Tubing (1.5 mil thick);
1-1/4" (32 mm) Diameter Metal Washers

Glass Thickness Range: 1/4" (6 mm) to 1/2" (12 mm)

Hole Diameter Required: 1/2" (12 mm)

Center-to-Center Hole Spacing: 12" Towel Bar = 12" (305 mm);
18" Towel Bar = 18" (457 mm);
24" Towel Bar = 24" (610 mm)

See page 259J for simple installation instructions

SD Series Towel Bars are for back-to back mounting on opposite sides of the glass. Each set is made from 3/4" (19 mm) diameter brass tubing, and includes two Bars for back-to-back mounting, with matching finish metal washers. Numerous stock finishes are available to match most any décor. Custom finishes are available as well.

12" (305 MM) CAT. NO.	18" (457 MM) CAT. NO.	24" (610 MM) CAT. NO.	FINISH
SDTB12X12CH	SDTB18X18CH	SDTB24X24CH	Polished Chrome
SDTB12X12SC	SDTB18X18SC	SDTB24X24SC	Satin Chrome (Matte)
SDTB12X12BN	SDTB18X18BN	SDTB24X24BN	Brushed Nickel
SDTB12X12PN	SDTB18X18PN	SDTB24X24PN	Polished Nickel
SDTB12X12BR	SDTB18X18BR	SDTB24X24BR	Polished Brass
SDTB12X12SB	SDTB18X18SB	---	Satin Brass
---	SDTB18X18ABR	---	Antique Brass
SDTB12X12ORB	SDTB18X18ORB	SDTB24X24ORB	Oil Rubbed Bronze
---	SDTB18X18BBRZ	SDTB24X24BBRZ	Brushed Bronze
---	SDTB18X18ABCO	SDTB24X24ABCO	Antique Brushed Copper
---	SDTB18X18GM	SDTB24X24GM	Gun Metal
SDTB12X12GP	SDTB18X18GP	SDTB24X24GP	Gold Plated
SDTB12X12W	SDTB18X18W	SDTB24X24W	White
---	SDTB18X18BL	SDTB24X24BL	Black

Minimum order: 1 each. All Towel Bars can be combined for quantity pricing.

CRL Crescent Series Back-to-Back Towel Bars

- Crescent or "Eyelet" Shaped Towel Bar Stands Out From the Ordinary
- No Metal Washers Allow a Sleek Profile
- Several Popular Stock Finishes, With Custom Finishes Available Upon Request
- Two Standard Sizes to Choose From



SPECIFICATIONS:

Material: 3/4" (19 mm) Diameter Brass Tubing

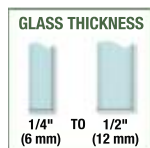
Glass Thickness Range: 1/4" (6 mm) to 1/2" (12 mm)

Hole Diameter Required: 1/2" (12 mm)

Center-to-Center Hole Spacing: 18" Towel Bar = 18" (457 mm);
24" Towel Bar = 24" (610 mm)

See page 259J for simple installation instructions

Tubular Brass Crescent Series Back-to-Back Towel Bars have an arched appearance that lends style and elegance to any shower enclosure. Set of two for mounting on each side of the glass. Stock finishes are shown at right, with custom finishes available upon request.



18" (457 MM) CAT. NO.	24" (610 MM) CAT. NO.	FINISH
CSH18X18CH	CSH24X24CH	Polished Chrome
CSH18X18SC	CSH24X24SC	Satin Chrome (Matte)
CSH18X18BSC	CSH24X24BSC	Brushed Satin Chrome
CSH18X18BN	CSH24X24BN	Brushed Nickel
CSH18X18PN	CSH24X24PN	Polished Nickel
CSH18X18BR	CSH24X24BR	Polished Brass
CSH18X18SB	CSH24X24SB	Satin Brass
CSH18X18ORB	CSH24X24ORB	Oil Rubbed Bronze
CSH18X18W	CSH24X24W	White

Minimum order: 1 each. All Towel Bars can be combined for quantity pricing.

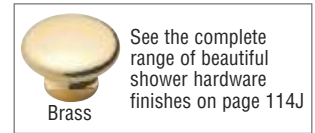
CRL Colonial Style Back-to-Back Tubular Towel Bars

- Unique Appearance With Multiple Contours and Fittings
- Integrated Hardware on Towel Bar Lends to Appeal
- Nine Stock Finishes, With Custom Finishes Available

SPECIFICATIONS:

Material: 3/4" (19 mm) Diameter Brass Tubing
Glass Thickness Range: 1/4" (6 mm) to 1/2" (12 mm)
Hole Diameter Required: 1/2" (12 mm)
Center-to-Center Hole Spacing: 18" Towel Bar = 18" (457 mm); 24" Towel Bar = 24" (610 mm)
 See page 259J for simple installation instructions

The Colonial Style Back-to-Back Towel Bar has a unique appearance and visual appeal. The multiple contours of the Towel Bar, along with the numerous integrated brass hardware fittings, make this Towel Bar one you will surely want to consider for your modern frameless shower enclosure. Nine popular stock finishes are available, with custom finishes upon request. The Colonial Style Back-to-Back Towel Bar will work with 1/4" (6 mm) to 1/2" (12 mm) thick glass.



18" (457 MM) CAT. NO.	24" (610 MM) CAT. NO.	FINISH
COL18X18CH	COL24X24CH	Polished Chrome
COL18X18SC	COL24X24SC	Satin Chrome (Matte)
COL18X18BN	COL24X24BN	Brushed Nickel
COL18X18PN	COL24X24PN	Polished Nickel
COL18X18BR	COL24X24BR	Polished Brass
COL18X18SB	COL24X24SB	Satin Brass
COL18X18ABR	COL24X24ABR	Antique Brass
COL18X18ORB	COL24X24ORB	Oil Rubbed Bronze
COL18X18W	COL24X24W	White

Minimum order: 1 each. All Towel Bars can be combined for quantity pricing.

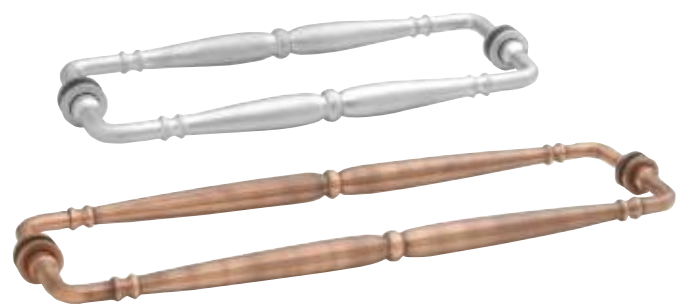
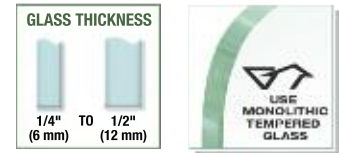
CRL Victorian Style Back-to-Back Towel Bars

- Eye-Catching Appeal With a Contoured Appearance
- Firm Grip With a Strong Solid Brass Feel
- Three Popular Sizes
- Custom Finishes Available Upon Request

SPECIFICATIONS:

Material: Solid Brass
Glass Thickness Range: 1/4" (6 mm) to 1/2" (12 mm)
Hole Diameter Required: 1/2" (12 mm)
Center-to-Center Hole Spacing: 12" Towel Bar = 12" (305 mm); 18" Towel Bar = 18" (457 mm); 24" Towel Bar = 24" (610 mm)
 See page 259J for simple installation instructions

Victorian Style Back-to-Back Towel Bars are designed for glass mounting on fixed panels or doors. The eye-catching design features the same contoured, "woodturning" visual appeal to match our popular Victorian Style Back-to-Back Pull Handles. Decorative metal washers provide the finishing touch.



12" (305 MM) CAT. NO.	18" (457 MM) CAT. NO.	24" (610 MM) CAT. NO.	FINISH
V1C12X12CH	V1C18X18CH	V1C24X24CH	Polished Chrome
V1C12X12SC	V1C18X18SC	V1C24X24SC	Satin Chrome (Matte)
---	---	V1C24X24BSC	Brushed Satin Chrome
V1C12X12BN	V1C18X18BN	V1C24X24BN	Brushed Nickel
---	V1C18X18PN	---	Polished Nickel
V1C12X12SN	V1C18X18SN	V1C24X24SN	Satin Nickel
V1C12X12BR	V1C18X18BR	V1C24X24BR	Polished Brass
V1C12X12SB	V1C18X18SB	V1C24X24SB	Satin Brass
V1C12X12ABR	V1C18X18ABR	---	Antique Brass
V1C12X12ORB	V1C18X18ORB	V1C24X24ORB	Oil Rubbed Bronze
---	V1C18X18ABC0	V1C24X24ABC0	Antique Brushed Copper

Minimum order: 1 each. All Towel Bars can be combined for quantity pricing.

CRL BACK-TO-BACK TOWEL BARS

For Pricing Visit crlaurence.com or Call Us Toll Free at the Phone Numbers Shown on the Back Cover

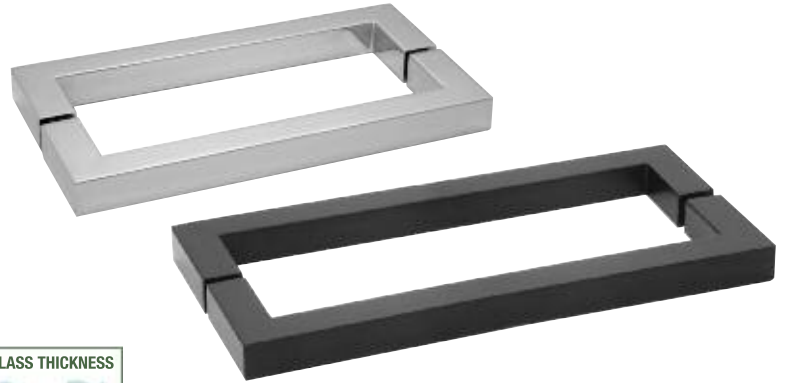
CRL SQ Series Square Tubing Mitered Corner Back-to-Back Towel Bars

- Square Corners Make This Towel Bar the Ideal Choice to Match Square Cornered Hinges
- No Metal Washers Allows Continuity of Square Profile
- Stocked in Popular 18" (457 mm) and 24" (610 mm) Sizes
- Nine Stock Finishes, With Custom Finishes Available



Brass

See the complete range of beautiful shower hardware finishes on page 114J



SPECIFICATIONS:

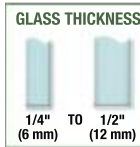
Material: 3/4" (19 mm) Brass Tubing

Glass Thickness Range: 1/4" (6 mm) to 1/2" (12 mm)

Hole Diameter Required: 1/2" (12 mm)

Center-to-Center Hole Spacing: 18" Towel Bar = 18" (457 mm); 24" Towel Bar = 24" (610 mm)

See page 259J for simple installation instructions



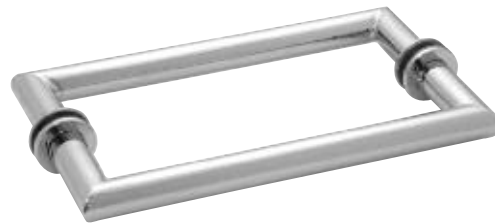
These sharp looking SQ Series Square Corner Back-to-Back Towel Bars give the clean and modern style that many designers prefer. They perfectly complement numerous CRL Hinge Series with similar corner styles, such as Geneva, Vienna, Concord, Cardiff, and others. Available in 18" (457 mm) and 24" (610 mm) sizes. Nine stock finishes are available, with custom finishes upon request.

18" (457 MM) CAT. NO.	24" (610 MM) CAT. NO.	FINISH
SQ18X18CH	SQ24X24CH	Polished Chrome
SQ18X18SC	SQ24X24SC	Satin Chrome (Matte)
SQ18X18BSC	SQ24X24BSC	Brushed Satin Chrome
SQ18X18BN	SQ24X24BN	Brushed Nickel
SQ18X18PN	SQ24X24PN	Polished Nickel
SQ18X18SN	SQ24X24SN	Satin Nickel
SQ18X18BR	SQ24X24BR	Polished Brass
SQ18X18ORB	SQ24X24ORB	Oil Rubbed Bronze
SQ18X18W	SQ24X24W	White

Minimum order: 1 each. All Towel Bars can be combined for quantity pricing.

CRL MT Series Round Tubing Mitered Corner Back-to-Back Towel Bars

- Round Tubing With Mitered Corners Makes This an Attractive Towel Bar That Adds Contrast to Décor
- Stocked in Popular 18" (457 mm) and 24" (610 mm) Sizes
- Nine Stock Finishes, With Custom Finishes Available



SPECIFICATIONS:

Material: 3/4" (19 mm) Diameter Brass Tubing;

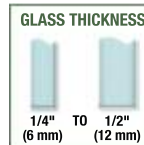
1-1/4" (32 mm) Diameter Washers

Glass Thickness Range: 1/4" (6 mm) to 1/2" (12 mm)

Hole Diameter Required: 1/2" (12 mm)

Center-to-Center Hole Spacing: 18" Towel Bar = 18" (457 mm); 24" Towel Bar = 24" (610 mm)

See page 259J for simple installation instructions



The Round Tubing Mitered Corner Back-to-Back Towel Bar offers the contrast of round tubing along with square mitered corners, which makes it a Towel Bar that is sure to be noticed. The geometry of the Bar's shape will make it a favorite to match many of CRL's Hinge shapes and styles. Stocked in popular 18" (457 mm) and 24" (610 mm) sizes. Nine stock finishes are offered, with custom finishes available upon request.

18" (457 MM) CAT. NO.	24" (610 MM) CAT. NO.	FINISH
MT18X18CH	MT24X24CH	Polished Chrome
MT18X18SC	MT24X24SC	Satin Chrome (Matte)
MT18X18BSC	MT24X24BSC	Brushed Satin Chrome
MT18X18BN	MT24X24BN	Brushed Nickel
MT18X18PN	MT24X24PN	Polished Nickel
MT18X18SN	MT24X24SN	Satin Nickel
MT18X18BR	MT24X24BR	Polished Brass
MT18X18ORB	MT24X24ORB	Oil Rubbed Bronze
MT18X18W	MT24X24W	White

Minimum order: 1 each. All Towel Bars can be combined for quantity pricing.

CRL BACK-TO-BACK TOWEL BARS

For Pricing Visit crlaurence.com or Call Us Toll Free at the Phone Numbers Shown on the Back Cover

CRL Solid Brass Back-to-Back Towel Bars Without Metal Washers

- Made of 3/4" (19 mm) Solid Brass Material
- Sleek No Washers Style
- Three Stock Sizes in Three Stock Finishes
- Custom Sizes and Finishes Available

SPECIFICATIONS:

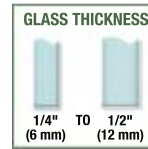
Material: 3/4" (19 mm) Diameter Solid Brass Rod
Glass Thickness Range: 1/4" (6 mm) to 1/2" (12 mm)
Hole Diameter Required: 1/2" (12 mm)
Center-to-Center Hole Spacing: 18" Towel Bar = 18" (457 mm); 24" Towel Bar = 24" (610 mm); 30" Towel Bar = 30" (762 mm)
 See page 259J for simple installation instructions

Solid Brass Back-to-Back Towel Bars represent a choice for those customers looking for a heavy, solid feel to their towel bar. Solid Brass Back-to-Back Towel Bars come without metal washers, which give them a streamlined, aesthetic appeal. Three popular sizes are stocked, with a choice of three standard finishes. Custom sizes and finishes are available upon request.

FINISHES:



Most models are stocked in the finishes shown here, others are available on special order.



18" (457 MM) CAT. NO.	24" (610 MM) CAT. NO.	30" (762 MM) CAT. NO.	FINISH
BPD18CH	BPD24CH	BPD30CH	Polished Chrome Brushed Nickel Polished Brass
BPD18BN	BPD24BN	BPD30BN	
BPD18BR	BPD24BR	BPD30BR	

Minimum order: 1 each. All Towel Bars can be combined for quantity pricing.

CRL Acrylic Back-to-Back Towel Bars

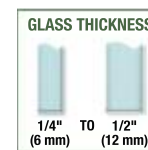
- Acrylic Material Helps Perpetuate the 'All-Glass' Look
- Choice of Metal Accent Ring Washers to Assist in Matching Various Décor
- Stocked in 12" (305 mm) Size
- Other Sizes Available on Special Order

SPECIFICATIONS:

Material: 3/4" (19 mm) Diameter Clear Acrylic Rod;
 1-1/8" (28 mm) Diameter Brass Washers
Glass Thickness Range: 1/4" (6 mm) to 1/2" (12 mm)
Hole Diameter Required: 1/2" (12 mm)
Center-to-Center Hole Spacing: 12" Towel Bar = 12" (305 mm)
 See page 259J for simple installation instructions

Acrylic Back-to-Back Towel Bars have a "see-through" look that enhances the 'all-glass' appearance of the modern frameless shower door. They are formed of 3/4" (19 mm) clear acrylic rod, and secured with your choice of polished chrome, polished brass or brushed nickel accent ring washers.

RING FINISHES:



12" (305 MM) CAT. NO.	ACCENT RING FINISH
CATB12X12CH	Polished Chrome Brushed Nickel Polished Brass
CATB12X12BN	
CATB12X12BR	

Minimum order: 1 each. All Towel Bars can be combined for quantity pricing.



C.R. LAURENCE COMPANY

crlaurence.com | usalum.com

270J | crlaurence.ca crlaurence.com.au crlaurence.co.uk crlaurence.de crlaurence.eu

CRL WALL MOUNT TOWEL AND GRAB BARS

For Pricing Visit crlaurence.com or Call Us Toll Free at the Phone Numbers Shown on the Back Cover

CRL Wall Mount Tubular Towel Bars

- Bars Made to Resemble Appearance of Through-Glass Bars
- Matching Finish Metal Washers to Accent Look
- 3/4" (19 mm) Diameter Heavy Brass Tubing
- Studs Screw Into Wall for Easy Installation
- Three Sizes in Up to Eight Popular Finishes



See the complete range of beautiful shower hardware finishes on page 114J



SPECIFICATIONS:

Material: 3/4" (19 mm) Diameter Brass Tubing;

1-1/4" (32 mm) Diameter Metal Washers

Wall Mounted: Studs Screw Into Wall

Center-to-Center Hole Spacing: 12" Towel Bar = 12" (305 mm); 18" Towel Bar = 18" (457 mm); 24" Towel Bar = 24" (610 mm)

These Wall Mounted Towel Bars are designed to be used where there is a desire for wall hardware that matches the hardware used in the shower enclosure. To install, simply screw studs into wall and secure the Towel Bar to them. Bars are 3/4" (19 mm) diameter brass tubing with matching finish metal washers. Bars project 3" (76 mm) from the wall.

12" (305 MM) CAT. NO.	18" (457 MM) CAT. NO.	24" (610 MM) CAT. NO.	FINISH
WTB12CH	WTB18CH	WTB24CH	Polished Chrome
WTB12SC	WTB18SC	WTB24SC	Satin Chrome
WTB12BN	WTB18BN	WTB24BN	Brushed Nickel
WTB12PN	WTB18PN	WTB24PN	Polished Nickel
WTB12SN	WTB18SN	WTB24SN	Satin Nickel
WTB12BR	WTB18BR	WTB24BR	Polished Brass
WTB12ORB	WTB18ORB	WTB24ORB	Oil Rubbed Bronze
WTB12GP	WTB18GP	WTB24GP	Gold Plated
WTB12W	WTB18W	WTB24W	White

Minimum order: 1 each. All Towel Bars can be combined for quantity pricing.

CRL Tubular Grab Bars

- Add an Element of Safety to Wet Environments
- Three Styles to Choose From
- Attractive Cover Flanges Conceal Mounting Hardware
- Nine Stock Finishes, With Custom Finishes Available



SPECIFICATIONS:

Material: 1-1/4" (32 mm) Diameter Stainless Steel (Chrome) or Brass Tubing (All Other Finishes)

Includes: Cover Flanges and All Necessary Mounting Hardware

No Glass Drilling: Bars are Mounted to Inside Surface of Shower

These heavy-duty Grab Bars will add to the décor of any shower enclosure. At the same time, they provide an important element of bathroom safety. These surface mounted Bars are 1-1/4" (32 mm) in diameter, and feature a cover flange to conceal the fasteners. Standard straight lengths are 18" (457 mm) and 24" (610 mm). The stylish 20" (508 mm) 135 Degree Grab Bar (with or without basket) brings a new and different look to Grab Bars. Constructed of stainless steel (chrome) or brass material (all other finishes), Grab Bars come individually wrapped with fasteners included.

18" (457 MM) STRAIGHT CAT. NO.	24" (610 MM) STRAIGHT CAT. NO.	20" (508 MM) 135 DEGREE CAT. NO.	20" (508 MM) 135 DEGREE BAR AND BASKET CAT. NO.	FINISH
GB18CH	GB24CH	GB135CH	GB535CH	Polished Chrome
GB18SC	GB24SC	GB135SC	GB535SC	Satin Chrome
GB18BSC	GB24BSC	GB135BSC	GB535BSC	Brushed Satin Chrome
GB18BN	GB24BN	GB135BN	GB535BN	Brushed Nickel
GB18PN	GB24PN	GB135PN	GB535PN	Polished Nickel
GB18BR	GB24BR	GB135BR	GB535BR	Polished Brass
GB18ORB	GB24ORB	GB135ORB	GB535ORB	Oil Rubbed Bronze
GB18W	GB24W	GB135W	GB535W	White
GB18BL	GB24BL	GB135BL	GB535BL	Black

Minimum order: 1 each. All Grab Bars can be combined for quantity pricing.

CRL Glass Clamps for Frameless Shower Enclosures

- For the Truly "All-Glass" Appearance of a Frameless Shower Enclosure
- Various Designs to Assist in Matching CRL Shower Door Hinge Configurations
- Wall Mount, Glass-to-Glass, Transom and Specialty Clamps for Most Any Application
- Over 20 Stock Finishes in Some Models, With Custom Finishes Available Upon Request
- Solid Brass Construction

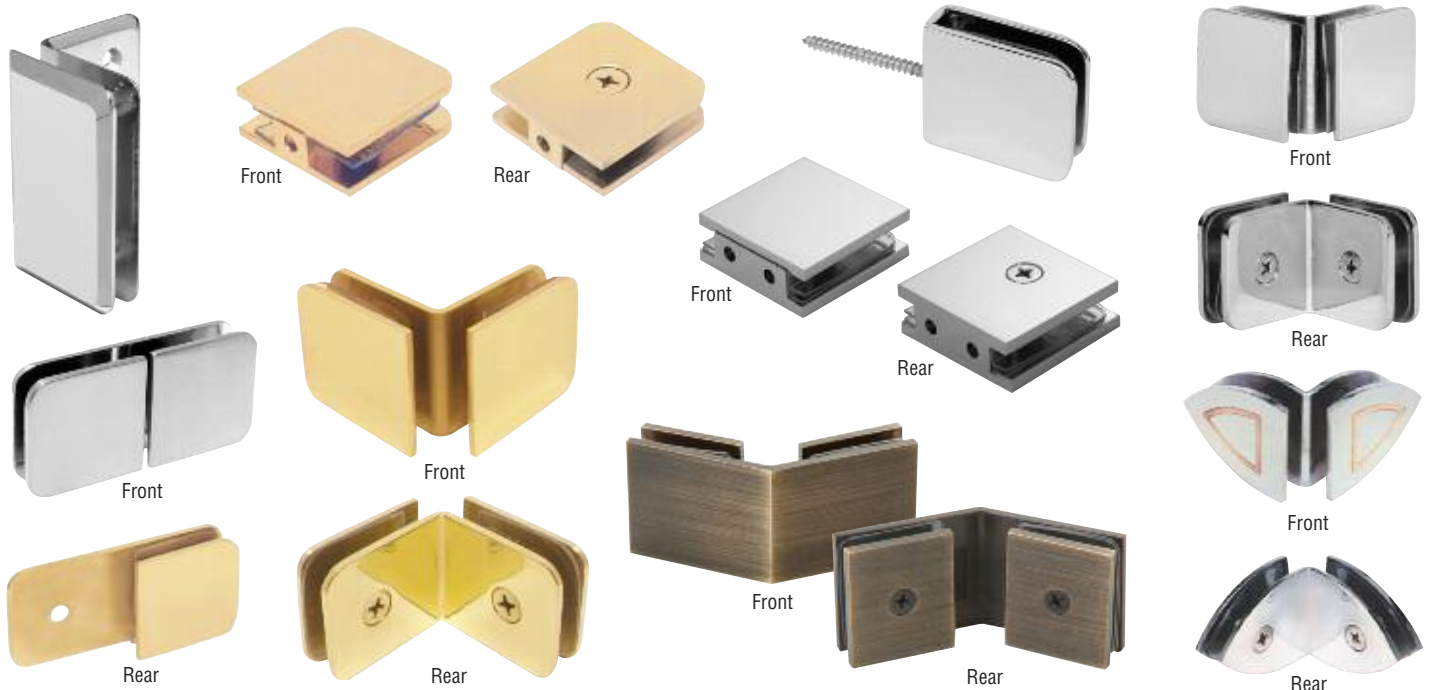


CRL Glass Clamps present a more modern and alternative method of securing vertical lites of glass in frameless shower enclosures. Clamps generally require holes or a notch in the glass, thus truly acting as a mechanical fastener. Therefore, while serving this practical function, they assist in perpetuating the 'all-glass' appearance preferred by many designers, architects, and homeowners. U-Clamps for fixed panels, Glass-to-Glass Clamps for joining fixed panels at various angles, as well as Specialty and Transom Clamps complete a product line that allows the use of these Clamps to assist in most any frameless shower application.

Why Would You Want to Use Glass Clamps to Secure Fixed Panels, Instead of Traditional U-Channel?

The answer to this question is basically a matter of aesthetics and individual customer preference. It is always interesting that while these modern shower enclosures are referred to as "frameless", by installing U-Channel around the fixed panels you are actually starting to give the shower a "framed" appearance. By utilizing the range of CRL Glass Clamps available, the enclosure can have more of a truly 'all-glass', or "frameless" appearance, while maintaining a high level of safety.

Fixed Panel U-Clamps, Glass-to-Glass Clamps, Transom Clamps, and Specialty Clamps for Most Any Frameless Shower Application



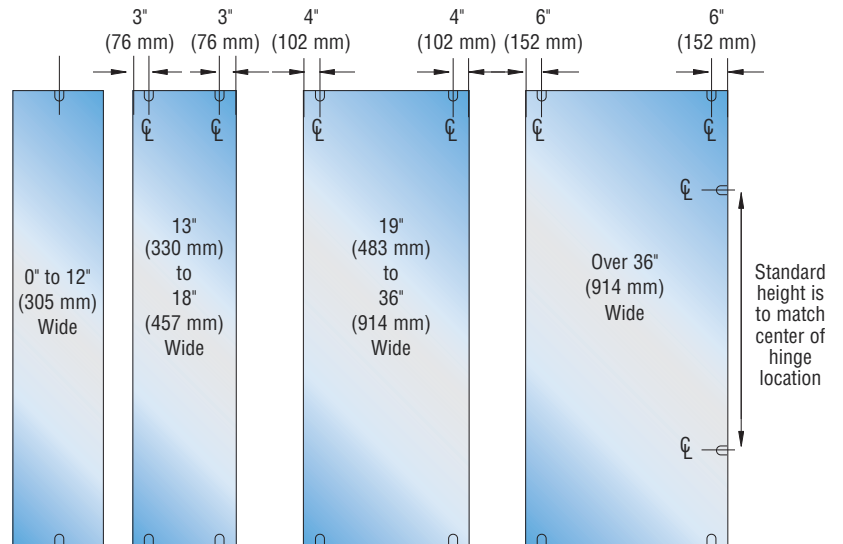
CRL Guidelines for Glass Clamp Positioning

Top and Bottom Placement

In most Clamp installations the top or bottom placement fall under these recommended guidelines.

Depending on the design and symmetry of the shower enclosure, CRL Glass Clamps can be positioned in a variety of locations. However, you should never place the design above the structural strength of the unit. With a little planning you can generally accomplish both feats.

The diagrams to the right were developed as guidelines to assist with proper positioning of our Glass Clamps. As always, if you have any questions concerning Clamp placement, contact our Shower Technical Sales Department for design assistance.



Panel Width

0 to 12" (305 mm)

13" (330 mm) to 18" (457 mm)

19" (483 mm) to 36" (914 mm)

Over 36" (914 mm)

Clamp Location (To Center-Line of Hole)

Location depends on installation conditions, but at least one Clamp is always recommended.

Two Clamps recommended, located 3" (76 mm) in from each vertical edge.

Two Clamps recommended, located 4" (102 mm) in from each vertical edge.

Two Clamps recommended, located 6" (152 mm) in from each vertical edge.



Side Placement

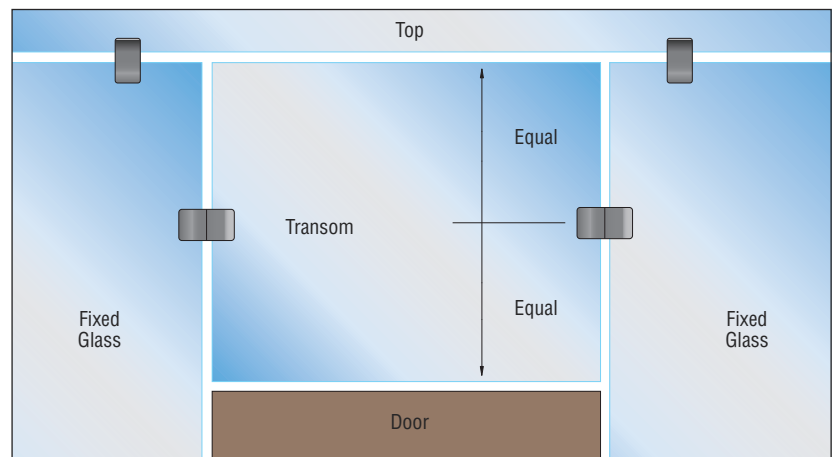
Side placement of the Clamps depends on installation conditions, but most of the time the placement location matches Hinges or some other hardware to achieve symmetry. At least one Clamp should be positioned near the top, unless a header is used.



CAT. NO. SDT21

Movable Transom Clamp Placement

Transom Clamps should be perfectly centered to provide a "teeter-totter" effect to the moving panel.



Complete Glass Clamp Installation Details are shown in our Cat. No. SDT21 Frameless Shower Door Guide. Contact your CRL Sales Representative to purchase this over 800 page Guide to Design Criteria, Glass Fabrication, Installation Details, and a complete set of Templates for CRL Frameless Shower Door Hardware. Or you may contact our Shower Technical Sales Department for individual assistance with your project.

CRL CLAMPS FOR 3/8" TO 1/2" (10 TO 12 MM) GLASS

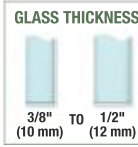
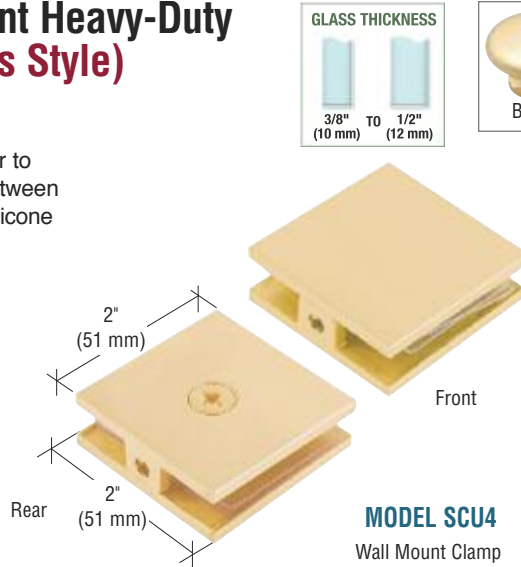
For Pricing Visit crlaurence.com or Call Us Toll Free at the Phone Numbers Shown on the Back Cover

CRL Square Style Wall Mount Heavy-Duty Glass Clamps (Hole-in-Glass Style)

Square Style Wall Mount Heavy-Duty Glass Clamps mount directly to the wall, ceiling or floor to secure vertical fixed glass panels. Clearance between the glass and the wall is 3/16" (5 mm). Clear silicone can be used to provide a clean, water-tight seal. Replacement Gasket is Cat. No. SCU4G.

SPECIFICATIONS:

Glass Thickness: 3/8" (10 mm) to 1/2" (12 mm)
Size: 2" (51 mm) wide x 2" (51 mm) high
Material: Solid Brass
Includes: Gaskets and mounting screw
Hole Diameter Required: 3/4" (19 mm)



CAT. NO.	FINISH
SCU4CH	Polished Chrome
SCU4SC	Satin Chrome (Matte)
SCU4BSC	Brushed Satin Chrome
SCU4BN	Brushed Nickel
SCU4PN	Polished Nickel
SCU4SN	Satin Nickel
SCU4BR	Polished Brass
SCU4ABR	Antique Brass
SCU4ORB	Oil Rubbed Bronze
SCU4ABRZ	Antique Bronze
SCU4BRZ	Brushed Bronze
SCU4GP	Gold Plated
SCU4W	White

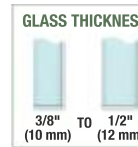
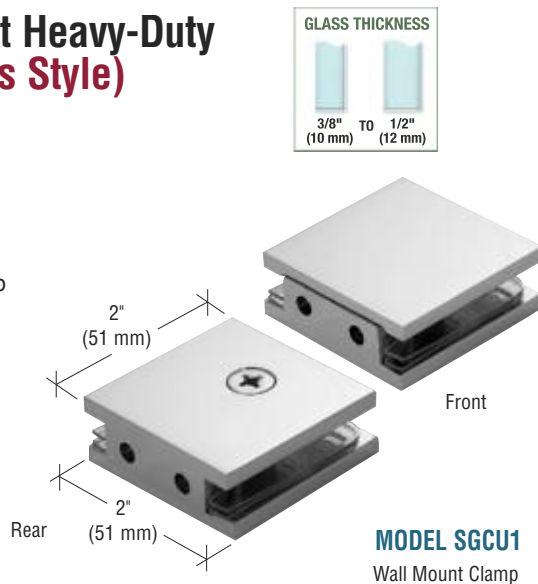
Minimum order: 1 each. All Glass Clamps can be combined for quantity pricing.

CRL Square Style Wall Mount Heavy-Duty Glass Clamps (Notch-in-Glass Style)

Square Style Wall Mount Heavy-Duty Glass Clamps mount directly to the wall, ceiling or floor to secure vertical fixed glass panels. This Clamp is designed with two mounting screws to give extra support. The cut-out is a notch to position the glass with a 1/16" (2 mm) to 3/16" (5 mm) gap from the wall. Clear silicone can be used to provide a clean, water-tight seal. Replacement Gasket is Cat. No. SGCU1G.

SPECIFICATIONS:

Glass Thickness: 3/8" (10 mm) to 1/2" (12 mm)
Size: 2" (51 mm) wide x 2" (51 mm) high
Material: Solid Brass
Includes: Gaskets and mounting screws
Glass Fabrication Required: Notch



CAT. NO.	FINISH
SGCU1CH	Polished Chrome
SGCU1SC	Satin Chrome (Matte)
SGCU1BSC	Brushed Satin Chrome
SGCU1BN	Brushed Nickel
SGCU1PN	Polished Nickel
SGCU1SN	Satin Nickel
SGCU1ABN	Antique Brushed Nickel
SGCU1BR	Polished Brass
SGCU1SB	Satin Brass
SGCU1ABR	Antique Brass
SGCU1ORB	Oil Rubbed Bronze
SGCU1ABRZ	Antique Bronze
SGCU1BRZ	Brushed Bronze
SGCU1ABC0	Antique Brushed Copper
SGCU1PC0	Polished Copper
SGCU1GP	Gold Plated
SGCU1W	White
SGCU1BL	Black

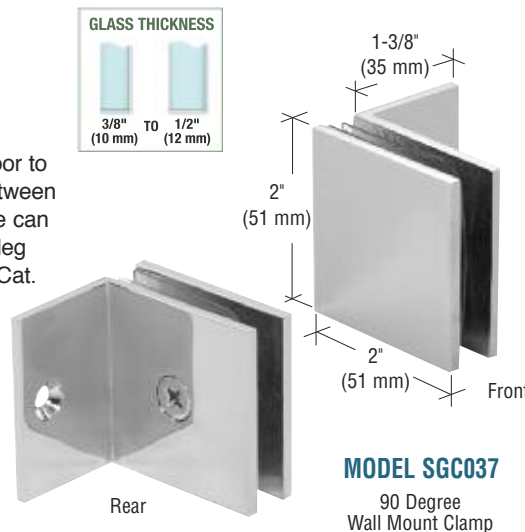
Minimum order: 1 each. All Glass Clamps can be combined for quantity pricing.

CRL 90 Degree Wall Mount Heavy-Duty Glass Clamps (With Small Leg)

Clamps mount directly to the wall, ceiling or floor to secure vertical fixed glass panels. Clearance between the glass and wall is 3/16" (5 mm). Clear silicone can be used to provide a clean water-tight seal. 90° leg provides extra strength. Replacement gasket is Cat. No. SGCU1G.

SPECIFICATIONS:

Glass Thickness: 3/8" (10 mm) to 1/2" (12 mm)
Clamp Size: 2" (51 mm) wide x 2" (51 mm) high
Leg Size: 1-3/8" (35 mm) wide x 2" (51 mm) high
Material: Solid Brass
Includes: Gaskets and Wood Screw for wall mount
Hole Diameter Required: 3/4" (19 mm)



new

CAT. NO.	FINISH
SGC037CH	Polished Chrome
SGC037SC	Satin Chrome (Matte)
SGC037BSC	Brushed Satin Chrome
SGC037BN	Brushed Nickel
SGC037PN	Polished Nickel
SGC037SN	Satin Nickel
SGC037BR	Polished Brass
SGC037ABR	Antique Brass
SGC037ORB	Oil Rubbed Bronze
SGC037BRZ	Brushed Bronze
SGC037GP	Gold Plated
SGC037W	White
SGC037BL	Black

Minimum order: 1 each. All Glass Clamps can be combined for quantity pricing.



C.R. LAURENCE COMPANY

crlaurence.com | usalum.com

ALUMINUM

274J

crlaurence.ca

crlaurence.com.au

crlaurence.co.uk

crlaurence.de

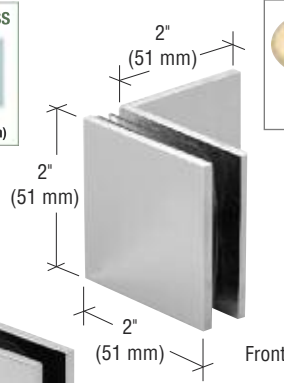
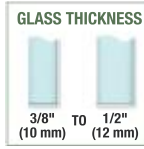
crlaurence.eu

CRL CLAMPS FOR 3/8" TO 1/2" (10 TO 12 MM) GLASS

For Pricing Visit crlaurence.com or Call Us Toll Free at the Phone Numbers Shown on the Back Cover

CRL 90 Degree Wall Mount Heavy-Duty Glass Clamps (With Large Leg)

new



See the complete range of beautiful shower hardware finishes on page 114J



Clamps mount directly to the wall, ceiling or floor to secure vertical fixed glass panels. Clearance between the glass and wall is 3/16" (5 mm). Clear silicone can be used to provide a clean, water-tight seal. 90° leg provides extra strength. Larger leg covers more tile area. Replacement gasket is Cat. No. SGCU1G.

SPECIFICATIONS:

Glass Thickness: 3/8" (10 mm) to 1/2" (12 mm)

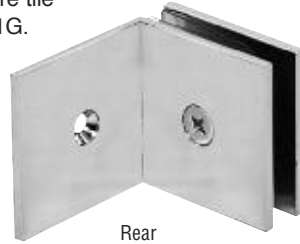
Clamp Size: 2" (51 mm) wide x 2" (51 mm) high

Leg Size: 2" (51 mm) wide x 2" (51 mm) high

Material: Solid Brass

Includes: Gaskets and Wood Screw for wall mount

Hole Diameter Required: 3/4" (19 mm)



Rear

MODEL SGC039

90 Degree Wall Mount Clamp

CAT. NO.

FINISH

SGC039CH	Polished Chrome
SGC039SC	Satin Chrome (Matte)
SGC039BSC	Brushed Satin Chrome
SGC039BN	Brushed Nickel
SGC039PN	Polished Nickel
SGC039SN	Satin Nickel
SGC039BR	Polished Brass
SGC039ABR	Antique Brass
SGC039ORB	Oil Rubbed Bronze
SGC039BRZ	Brushed Bronze
SGC039GP	Gold Plated
SGC039W	White
SGC039BL	Black

Minimum order: 1 each. All Glass Clamps can be combined for quantity pricing.

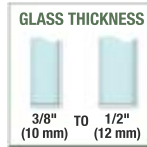


CRL CLAMPS FOR 3/8" TO 1/2" (10 TO 12 MM) GLASS

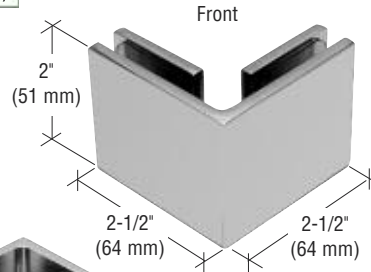
For Pricing Visit crlaurence.com or Call Us Toll Free at the Phone Numbers Shown on the Back Cover

CRL Square Style 90 Degree Glass-to-Glass Clamps

These Square Style 90 Degree Glass-to-Glass Clamps are designed to join two panels at 90 degrees. Replacement Gasket is Cat. No. SGCU1G.



See the complete range of beautiful shower hardware finishes on page 114J



MODEL SGC90

90 Degree Glass-to-Glass Clamp

SPECIFICATIONS:

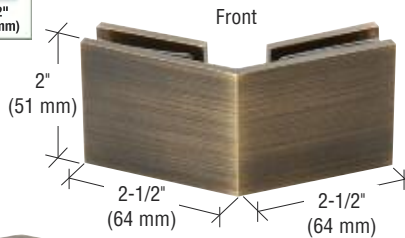
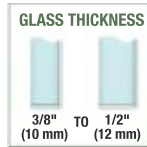
Glass Thickness: 3/8" (10 mm) to 1/2" (12 mm)
Size: Each Leg 2-1/2" (64 mm) wide x 2" (51 mm) high
Material: Solid Brass
Includes: Gaskets
Hole Diameter Required: 3/4" (19 mm) each panel

CAT. NO.	FINISH
SGC90CH	Polished Chrome
SGC90SC	Satin Chrome (Matte)
SGC90BSC	Brushed Satin Chrome
SGC90BN	Brushed Nickel
SGC90PN	Polished Nickel
SGC90SN	Satin Nickel
SGC90BR	Polished Brass
SGC90SB	Satin Brass
SGC90ABR	Antique Brass
SGC90ORB	Oil Rubbed Bronze
SGC90ABRZ	Antique Bronze
SGC90BBRZ	Brushed Bronze
SGC90ABCO	Antique Brushed Copper
SGC90GP	Gold Plated
SGC90W	White
SGC90BL	Black

Minimum order: 1 each. All Glass Clamps can be combined for quantity pricing.

CRL Square Style 135 Degree Glass-to-Glass Clamps

These Square Style 135 Degree Glass-to-Glass Clamps are designed to join two panels at 135 degrees. Replacement Gasket is Cat. No. SGCU1G.



MODEL SGC135

135 Degree Glass-to-Glass Clamp

SPECIFICATIONS:

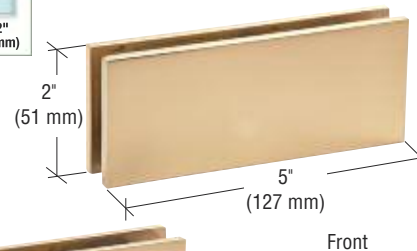
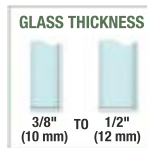
Glass Thickness: 3/8" (10 mm) to 1/2" (12 mm)
Size: Each Leg 2-1/2" (64 mm) wide x 2" (51 mm) high
Material: Solid Brass
Includes: Gaskets
Hole Diameter Required: 3/4" (19 mm) each panel

CAT. NO.	FINISH
SGC135CH	Polished Chrome
SGC135SC	Satin Chrome (Matte)
SGC135BSC	Brushed Satin Chrome
SGC135BN	Brushed Nickel
SGC135PN	Polished Nickel
SGC135SN	Satin Nickel
SGC135ABN	Antique Brushed Nickel
SGC135BR	Polished Brass
SGC135SB	Satin Brass
SGC135ABR	Antique Brass
SGC135ORB	Oil Rubbed Bronze
SGC135BBRZ	Brushed Bronze
SGC135ABCO	Antique Brushed Copper
SGC135GP	Gold Plated
SGC135W	White

Minimum order: 1 each. All Glass Clamps can be combined for quantity pricing.

CRL Square Style 180 Degree Glass-to-Glass Clamps

These Square Style 180 Degree Glass-to-Glass Clamps are designed to join two panels inline, or a fixed transom in a frameless shower enclosure. Replacement Gasket is Cat. No. SGCU1G.



MODEL SGC180

180 Degree Glass-to-Glass Clamp

SPECIFICATIONS:

Glass Thickness: 3/8" (10 mm) to 1/2" (12 mm)
Size: 5" (127 mm) wide x 2" (51 mm) high
Material: Solid Brass
Includes: Gaskets
Hole Diameter Required: 3/4" (19 mm) each panel

CAT. NO.	FINISH
SGC180CH	Polished Chrome
SGC180SC	Satin Chrome (Matte)
SGC180BSC	Brushed Satin Chrome
SGC180BN	Brushed Nickel
SGC180PN	Polished Nickel
SGC180ABN	Antique Brushed Nickel
SGC180BR	Polished Brass
SGC180ABR	Antique Brass
SGC180ORB	Oil Rubbed Bronze
SGC180BBRZ	Brushed Bronze
SGC180GP	Gold Plated
SGC180W	White

Minimum order: 1 each. All Glass Clamps can be combined for quantity pricing.



C.R. LAURENCE COMPANY

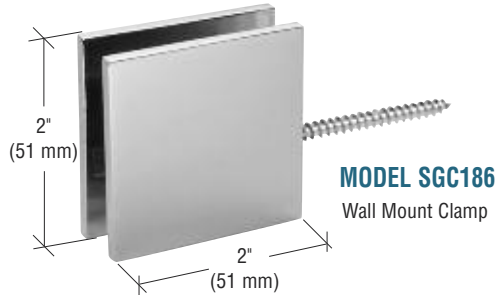
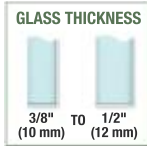
crlaurence.com | usalum.com

276J | crlaurence.ca crlaurence.com.au crlaurence.co.uk crlaurence.de crlaurence.eu

CRL CLAMPS FOR 3/8" TO 1/2" (10 TO 12 MM) GLASS

For Pricing Visit crlaurence.com or Call Us Toll Free at the Phone Numbers Shown on the Back Cover

CRL Square Style Wall Mount Movable Transom Clamps



Square Style Wall Mount Movable Transom Clamps are designed to rotate a movable transom off a wall. This style Clamp can also be used in combination with our Cat. No. SGC188 180 Degree Glass-to-Glass Movable Transom Clamp. Clamp must be centered on the transom to achieve balanced movement. Replacement Nylon Washer is Cat. No. 90295A120. Replacement Gasket is Cat. No. SGCU1G.

SPECIFICATIONS:

Glass Thickness: 3/8" (10 mm) to 1/2" (12 mm)

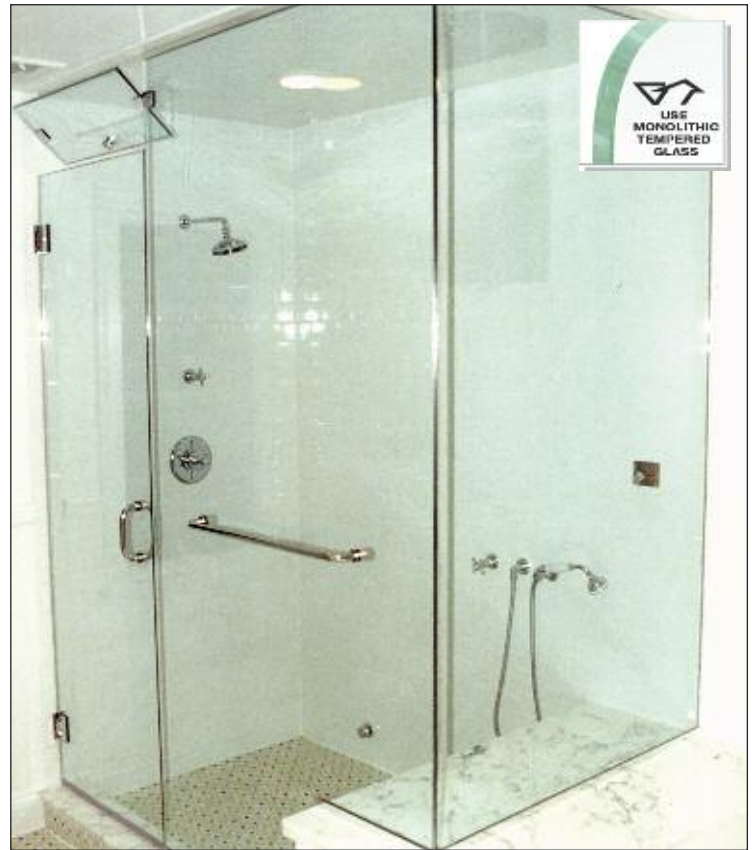
Size: 2" (51 mm) wide x 2" (51 mm) high

Material: Solid Brass

Includes: Gaskets and mounting screws

Hole Diameter Required: 3/4" (19 mm)

NOTE: Maximum transom size is 16" (406 mm) high x 30" (762 mm) wide. Larger transoms require the use of pivot hinges used as transom clamps. Call for details



CAT. NO.	FINISH	CAT. NO.	FINISH
SGC186CH	Polished Chrome	SGC186ABR	Antique Brass
SGC186SC	Satin Chrome (Matte)	SGC186ORB	Oil Rubbed Bronze
SGC186BSC	Brushed Satin Chrome	SGC186ABCO	Antique Brushed Copper
SGC186BN	Brushed Nickel	SGC186GM	Gun Metal
SGC186PN	Polished Nickel	SGC186GP	Gold Plated
SGC186BR	Polished Brass	SGC186W	White
SGC186SB	Satin Brass	SGC186BL	Black

Minimum order: 1 each. All Glass Clamps can be combined for quantity pricing. **NOTE:** All Shower Door Transom Clamps are sold by the each, not in pairs. Be sure to order a minimum of two each clamps to install one transom.

CRL Square Style 180 Degree Glass-to-Glass Movable Transom Clamps

SPECIFICATIONS:

Glass Thickness: 3/8" (10 mm) to 1/2" (12 mm)

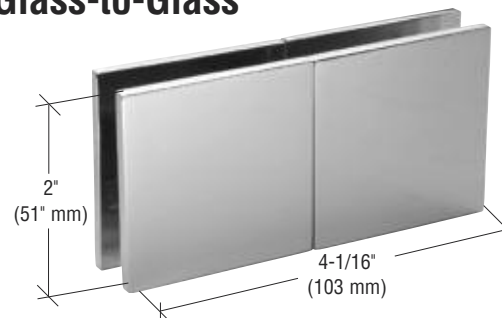
Size: 4-1/16" (103 mm) wide x 2" (51 mm) high

Material: Solid Brass

Includes: Gaskets

Glass Fabrication Required: 3/4" (19 mm) diameter hole in the fixed panel, notch in the transom

NOTE: Maximum transom size is 16" (406 mm) high x 30" (762 mm) wide. Larger transoms require the use of pivot hinges used as transom clamps. Call for details



MODEL SGC188

180 Degree Glass-to-Glass Clamp



CAT. NO.	FINISH
SGC188CH	Polished Chrome
SGC188SC	Satin Chrome (Matte)
SGC188BSC	Brushed Satin Chrome
SGC188BN	Brushed Nickel
SGC188PN	Polished Nickel
SGC188BR	Polished Brass
SGC188SB	Satin Brass
SGC188ABR	Antique Brass
SGC188ORB	Oil Rubbed Bronze
SGC188ABRZ	Antique Bronze
SGC188ABCO	Antique Brushed Copper
SGC188GP	Gold Plated
SGC188W	White

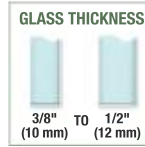
Minimum order: 1 each. All Glass Clamps can be combined for quantity pricing. **NOTE:** All Shower Door Transom Clamps are sold by the each, not in pairs. Be sure to order a minimum of two each clamps to install one transom.

CRL CLAMPS FOR 3/8" TO 1/2" (10 TO 12 MM) GLASS

For Pricing Visit crlaurence.com or Call Us Toll Free at the Phone Numbers Shown on the Back Cover

CRL Beveled Style Wall Mount Heavy-Duty Glass Clamps (Hole-in-Glass Style)

Beveled Style Wall Mount Heavy-Duty Glass Clamps mount directly to the wall, ceiling or floor to secure vertical fixed glass panels. Clearance between the glass and the wall is 3/16" (5 mm). Clear silicone can be used to provide a clean, water-tight seal. Replacement Gasket is Cat. No. BCU4G.



SPECIFICATIONS:

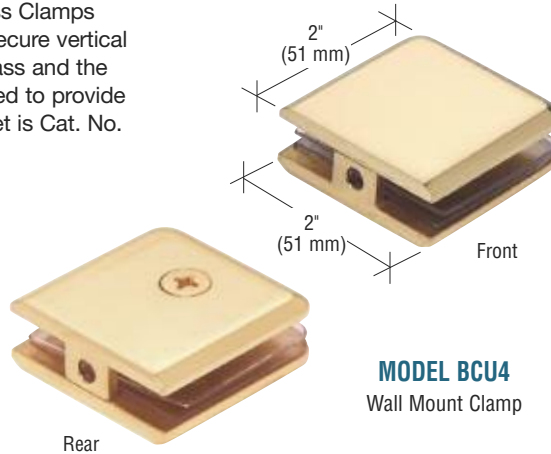
Glass Thickness: 3/8" (10 mm) to 1/2" (12 mm)

Size: 2" (51 mm) wide x 2" (51 mm) high

Material: Solid Brass

Includes: Gaskets and Mounting Screws

Hole Diameter Required: 3/4" (19 mm)



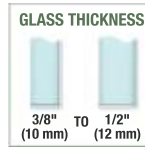
MODEL BCU4
Wall Mount Clamp

CAT. NO.	FINISH
BCU4CH	Polished Chrome
BCU4SC	Satin Chrome (Matte)
BCU4BSC	Brushed Satin Chrome
BCU4BN	Brushed Nickel
BCU4PN	Polished Nickel
BCU4SN	Satin Nickel
BCU4ABN	Antique Brushed Nickel
BCU4BR	Polished Brass
BCU4SB	Satin Brass
BCU4ABR	Antique Brass
BCU4ORB	Oil Rubbed Bronze
BCU4ABRZ	Antique Bronze
BCU4BBRZ	Brushed Bronze
BCU4ABC0	Antique Brushed Copper
BCU4GP	Gold Plated
BCU4BL	Black/Chrome Screw

Minimum order: 1 each. All Glass Clamps can be combined for quantity pricing.

CRL Beveled Style Wall Mount Heavy-Duty Glass Clamps (Notch-in-Glass Style)

Beveled Style Wall Mount Heavy-Duty Glass Clamps mount directly to the wall, ceiling or floor to secure vertical fixed glass panels. This Clamp is designed with two mounting screws to give extra support. The cut-out is a notch to allow the glass to have a 1/16" (2 mm) to 3/16" (5 mm) gap from the wall. Clear silicone can be used to provide a clean, water-tight seal. Replacement Gasket is Cat. No. BGCU1G.



SPECIFICATIONS:

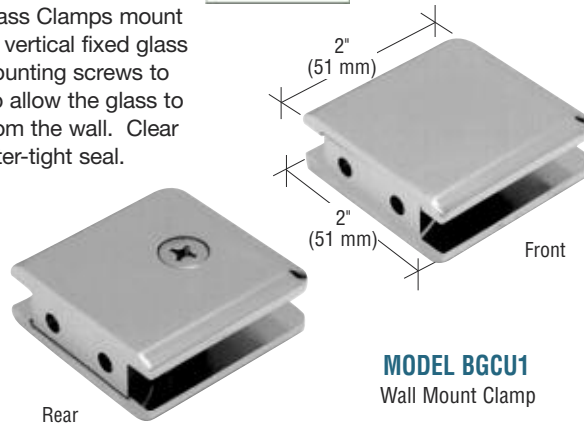
Glass Thickness: 3/8" (10 mm) to 1/2" (12 mm)

Size: 2" (51 mm) wide x 2" (51 mm) high

Material: Solid Brass

Includes: Gaskets and Mounting Screws

Glass Fabrication Required: Notch



MODEL BGCU1
Wall Mount Clamp

CAT. NO.	FINISH
BGCU1CH	Polished Chrome
BGCU1SC	Satin Chrome (Matte)
BGCU1BSC	Brushed Satin Chrome
BGCU1BN	Brushed Nickel
BGCU1PN	Polished Nickel
BGCU1SN	Satin Nickel
BGCU1ABN	Antique Brushed Nickel
BGCU1BR	Polished Brass
BGCU1SB	Satin Brass
BGCU1ABR	Antique Brass
BGCU1ORB	Oil Rubbed Bronze
BGCU1ABRZ	Antique Bronze
BGCU1BBRZ	Brushed Bronze
BGCU1ABC0	Antique Brushed Copper
BGCU1PC0	Polished Copper
BGCU1GM	Gun Metal
BGCU1GP	Gold Plated
BGCU1W	White/Chrome Screw

Minimum order: 1 each. All Glass Clamps can be combined for quantity pricing.

CRL Estate Series 90 Degree Glass-to-Glass Clamps

The Estate Series 90 Degree Glass-to-Glass Clamp has attractive mitered edges, and will match hinges offering a similar design. Used to connect two fixed glass panels meeting at 90 degrees, or as a bracket for horizontal glass shelves within the enclosure. Can also be used as offset Wall Mount Clamp. Replacement Gasket is Cat. No. UCG77.

SPECIFICATIONS:

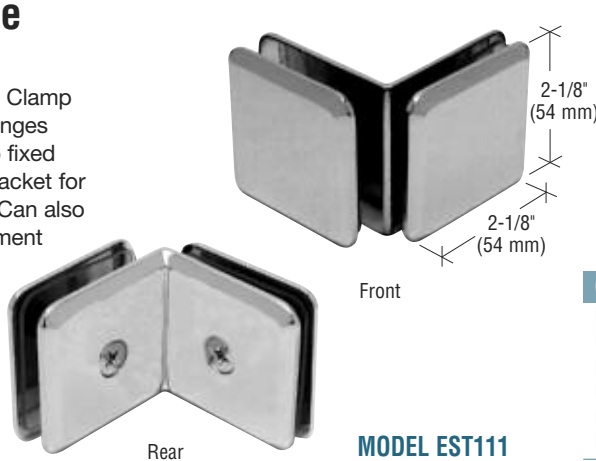
Glass Thickness: 3/8" (10 mm) to 1/2" (12 mm)

Size: 2-1/8" (54 mm) wide x 2-1/8" (54 mm) high (each plate)

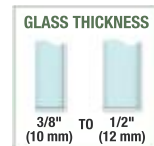
Material: Solid Brass

Includes: Gaskets

Hole Diameter Required: 5/8" (16 mm) or 3/4" (19 mm) each panel



MODEL EST111
90 Degree Glass-to-Glass Clamp



CAT. NO.	FINISH
EST111CH	Polished Chrome
EST111SC	Satin Chrome (Matte)
EST111BN	Brushed Nickel
EST111BR	Polished Brass
EST111GP	Gold Plated
EST111W	White/Chrome Screws

Minimum order: 1 each. All Glass Clamps can be combined for quantity pricing.



C.R. LAURENCE COMPANY

crlaurence.com | usalum.com

ALUMINUM

278J

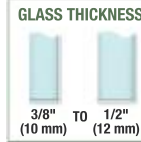
| crlaurence.ca crlaurence.com.au crlaurence.co.uk crlaurence.de crlaurence.eu

CRL CLAMPS FOR 3/8" TO 1/2" (10 TO 12 MM) GLASS

For Pricing Visit crlaurence.com or Call Us Toll Free at the Phone Numbers Shown on the Back Cover

CRL Beveled Style 90 Degree Wall Mount Heavy-Duty Glass Clamps (With Small Leg)

new



Clamps mount directly to the wall, ceiling or floor to secure vertical fixed glass panels. Clearance between the glass and wall is 3/16" (5 mm). Clear silicone can be used to provide a clean, water-tight seal. 90 degree leg provides extra strength. Replacement Gasket is Cat. No. BGCU1G.

SPECIFICATIONS:

Glass Thickness: 3/8" (10 mm) to 1/2" (12 mm)

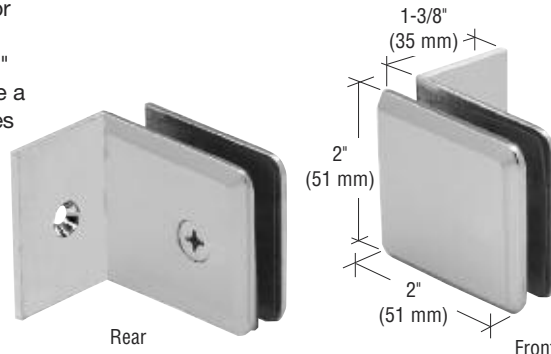
Clamp Size: 2" (51 mm) wide x 2" (51 mm) high

Leg Size: 1-3/8" (35 mm) wide x 2" (51 mm) high

Material: Solid Brass

Includes: Gaskets and Wood Screw for wall mount

Hole Diameter Required: 3/4" (19 mm)



MODEL BGC037
90 Degree Wall Mount Clamp

CAT. NO.	FINISH
BGC037CH	Polished Chrome
BGC037SC	Satin Chrome (Matte)
BGC037BN	Brushed Nickel
BGC037PN	Polished Nickel
BGC037BR	Polished Brass
BGC037ABR	Antique Brass
BGC037ORB	Oil Rubbed Bronze
BGC037BRZ	Brushed Bronze

Minimum order: 1 each. All Glass Clamps can be combined for quantity pricing.

CRL Beveled Style 90 Degree Wall Mount Heavy-Duty Glass Clamps (With Large Leg)

new



Clamps mount directly to the wall, ceiling or floor to secure vertical fixed glass panels. Clearance between the glass and wall is 3/16" (5 mm). Clear silicone can be used to provide a clean, water-tight seal. 90 degree leg provides extra strength. Larger leg covers more tile area. Replacement Gasket is Cat. No. BGCU1G.

SPECIFICATIONS:

Glass Thickness: 3/8" (10 mm) to 1/2" (12 mm)

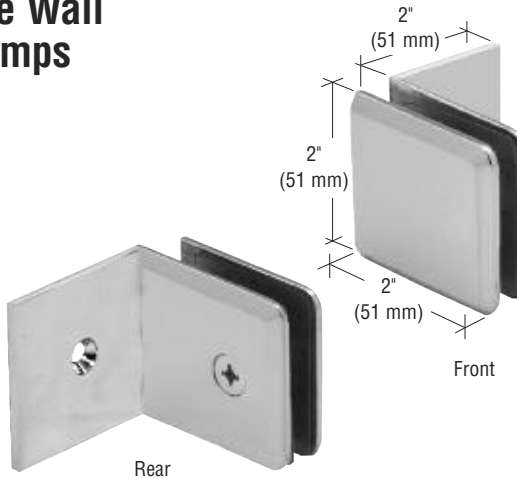
Clamp Size: 2" (51 mm) wide x 2" (51 mm) high

Leg Size: 2" (51 mm) wide x 2" (51 mm) high

Material: Solid Brass

Includes: Gaskets and Wood Screw for wall mount

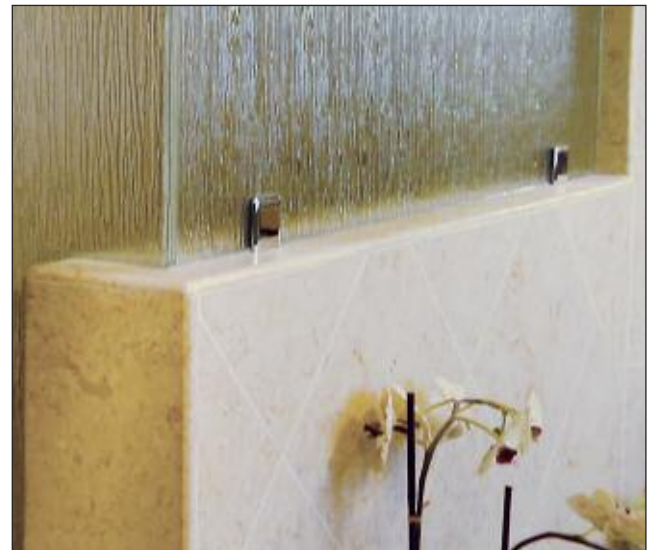
Hole Diameter Required: 3/4" (19 mm)



MODEL BGC039
90 Degree Wall Mount Clamp

CAT. NO.	FINISH
BGC039CH	Polished Chrome
BGC039SC	Satin Chrome (Matte)
BGC039BN	Brushed Nickel
BGC039PN	Polished Nickel
BGC039BR	Polished Brass
BGC039ABR	Antique Brass
BGC039ORB	Oil Rubbed Bronze
BGC039BRZ	Brushed Bronze

Minimum order: 1 each. All Glass Clamps can be combined for quantity pricing.



CRL CLAMPS FOR 3/8" TO 1/2" (10 TO 12 MM) GLASS

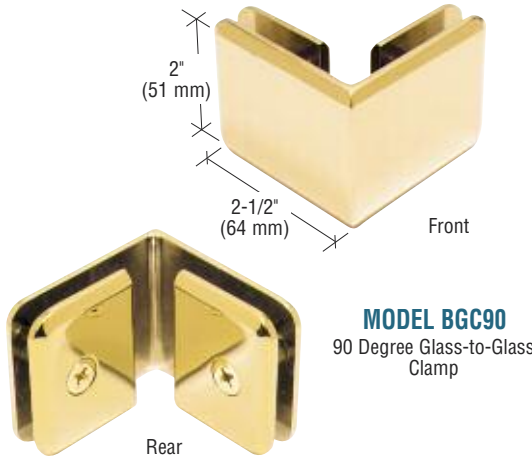
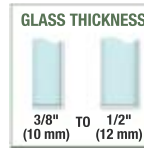
For Pricing Visit crlaurence.com or Call Us Toll Free at the Phone Numbers Shown on the Back Cover

CRL Beveled Style 90 Degree Glass-to-Glass Clamps

These Beveled Style 90 Degree Glass-to-Glass Clamps are designed to join two panels at 90 degrees. Replacement Gasket is Cat. No. BGCU1G.

SPECIFICATIONS:

Glass Thickness: 3/8" (10 mm) to 1/2" (12 mm)
Size: Each leg 2-1/2" (64 mm) wide x 2" (51 mm) high
Material: Solid Brass
Includes: Gaskets
Hole Diameter Required: 3/4" (19 mm) each panel



CAT. NO.	FINISH
BGC90CH	Polished Chrome
BGC90SC	Satin Chrome (Matte)
BGC90BSC	Brushed Satin Chrome
BGC90BN	Brushed Nickel
BGC90PN	Polished Nickel
BGC90BR	Polished Brass
BGC90SB	Satin Brass
BGC90ABR	Antique Brass
BGC90ORB	Oil Rubbed Bronze
BGC90BBRZ	Brushed Bronze
BGC90ABC0	Antique Brushed Copper
BGC90GM	Gun Metal
BGC90GP	Gold Plated
BGC90W	White/Chrome Screws

Minimum order: 1 each. All Glass Clamps can be combined for quantity pricing.

CRL Beveled Style 135 Degree Glass-to-Glass Clamps

These Beveled Style 135 Degree Glass-to-Glass Clamps are designed to join two panels at 135 degrees. Replacement Gasket is Cat. No. BGCU1G.

SPECIFICATIONS:

Glass Thickness: 3/8" (10 mm) to 1/2" (12 mm)
Size: Each leg 2-1/2" (64 mm) wide x 2" (51 mm) high
Material: Solid Brass
Includes: Gaskets
Hole Diameter Required: 3/4" (19 mm) each panel



CAT. NO.	FINISH
BGC135CH	Polished Chrome
BGC135SC	Satin Chrome (Matte)
BGC135BSC	Brushed Satin Chrome
BGC135BN	Brushed Nickel
BGC135PN	Polished Nickel
BGC135BR	Polished Brass
BGC135SB	Satin Brass
BGC135ABR	Antique Brass
BGC135ORB	Oil Rubbed Bronze
BGC135BBRZ	Brushed Bronze
BGC135GP	Gold Plated

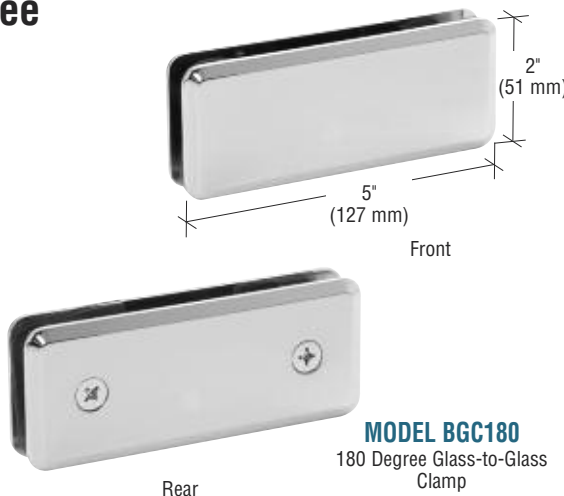
Minimum order: 1 each. All Glass Clamps can be combined for quantity pricing.

CRL Beveled Style 180 Degree Glass-to-Glass Clamps

These Beveled Style 180 Degree Glass-to-Glass Clamps are designed to join two panels inline, or a fixed transom in a frameless shower enclosure. Replacement Gasket is Cat. No. BGCU1G.

SPECIFICATIONS:

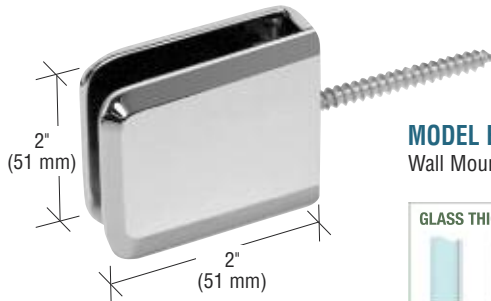
Glass Thickness: 3/8" (10 mm) to 1/2" (12 mm)
Size: 5" (127 mm) wide x 2" (51 mm) high
Material: Solid Brass
Includes: Gaskets
Hole Diameter Required: 3/4" (19 mm) each panel



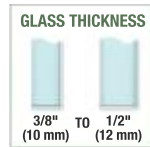
CAT. NO.	FINISH
BGC180CH	Polished Chrome
BGC180SC	Satin Chrome (Matte)
BGC180BSC	Brushed Satin Chrome
BGC180BN	Brushed Nickel
BGC180PN	Polished Nickel
BGC180BR	Polished Brass
BGC180ABR	Antique Brass
BGC180ORB	Oil Rubbed Bronze
BGC180BBRZ	Brushed Bronze
BGC180GM	Gun Metal
BGC180GP	Gold Plated

Minimum order: 1 each. All Glass Clamps can be combined for quantity pricing.

CRL Beveled Style Wall Mount Movable Transom Clamps



MODEL BGC186
Wall Mount Clamp



SPECIFICATIONS:

Glass Thickness: 3/8" (10 mm) to 1/2" (12 mm)

Size: 2" (51 mm) wide x 2" (51 mm) high

Material: Solid Brass

Includes: Gaskets and mounting screws

Hole Diameter Required: 3/4" (19 mm)

NOTE: Maximum transom size is 16" (406 mm) high x 30" (762 mm) wide. Larger transoms require the use of pivot hinges used as transom clamps. Call for details.

Beveled Style Wall Mount Movable Transom Clamps are designed to rotate a movable transom off a wall. This style Clamp can also be used in combination with our Cat. No. BGC188 Glass-to-Glass Movable Transom Clamp. Clamp must be centered on the transom to achieve balanced movement. Replacement Nylon Washer is Cat. No. 90295A120. Replacement Gasket is Cat. No. BGC1G.



CAT. NO.	FINISH	CAT. NO.	FINISH
BGC186CH	Polished Chrome	BGC186BR	Polished Brass
BGC186SC	Satin Chrome (Matte)	BGC186SB	Satin Brass
BGC186BSC	Brushed Satin Chrome	BGC186ABR	Antique Brass
BGC186BN	Brushed Nickel	BGC186ORB	Oil Rubbed Bronze
BGC186PN	Polished Nickel	BGC186GM	Gun Metal
BGC186SN	Satin Nickel	BGC186GP	Gold Plated

Minimum order: 1 each. All Glass Clamps can be combined for quantity pricing. **NOTE:** All Shower Door Transom Clamps are sold by the each, not in pairs. Be sure to order a minimum of two each clamps to install one transom.

CRL Beveled Style 180 Degree Glass-to-Glass Movable Transom Clamps

SPECIFICATIONS:

Glass Thickness: 3/8" (10 mm) to 1/2" (12 mm)

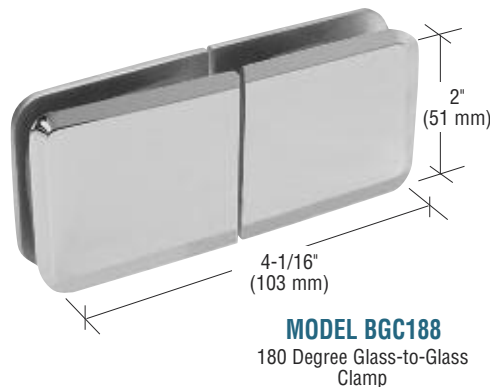
Size: 4-1/16" (103 mm) wide x 2" (51 mm) high

Material: Solid Brass

Includes: Gaskets

Glass Fabrication Required: 3/4" (19 mm) diameter hole in the fixed panel, notch in the transom

NOTE: Maximum transom size is 16" (406 mm) high x 30" (762 mm) wide. Larger transoms require the use of pivot hinges used as transom clamps. Call for details.



MODEL BGC188
180 Degree Glass-to-Glass Clamp



CAT. NO.	FINISH
BGC188CH	Polished Chrome
BGC188SC	Satin Chrome (Matte)
BGC188BSC	Brushed Satin Chrome
BGC188BN	Brushed Nickel
BGC188PN	Polished Nickel
BGC188SN	Satin Nickel
BGC188ABN	Antique Brushed Nickel
BGC188BR	Polished Brass
BGC188SB	Satin Brass
BGC188ABR	Antique Brass
BGC188ORB	Oil Rubbed Bronze
BGC188GM	Gun Metal
BGC188GP	Gold Plated
BGC188W	White/Chrome Screws

Minimum order: 1 each. All Glass Clamps can be combined for quantity pricing. **NOTE:** All Shower Door Transom Clamps are sold by the each, not in pairs. Be sure to order a minimum of two each clamps to install one transom.

CRL CLAMPS FOR 5/16" TO 1/2" (8 TO 12 MM) GLASS

For Pricing Visit crlaurence.com or Call Us Toll Free at the Phone Numbers Shown on the Back Cover

CRL Traditional Glass Clamps

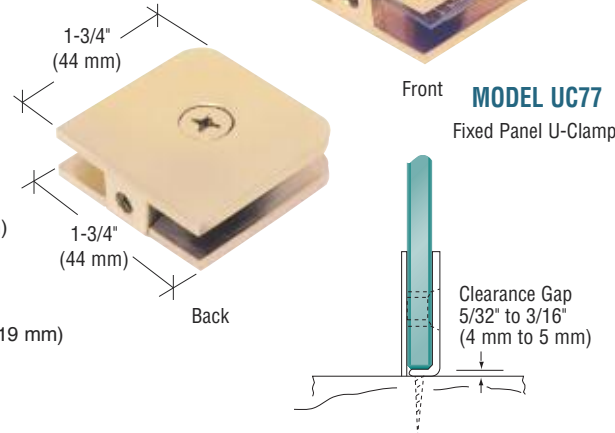
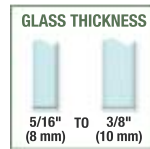
- For 5/16" to 1/2" (8 to 12 mm) Glass
- Used to Secure Fixed Panels of Glass for Frameless Shower Enclosures
- A Nice Option to More Traditional U-Channel, in that the Clamps Help the Appearance of an 'All-Glass' Look
- Glass Fabrication Required to Accommodate Clamps



Our solid brass Traditional Glass Clamps are designed to secure glass panels in contemporary shower enclosures. They assist in maintaining the frameless appearance and provide a clean looking alternative to U-Channel "framing". All our Traditional Clamps feature solid brass or stainless steel construction, and a variety of finishes to match our complete line of Shower Door Hinges and Handles. Custom finishes can be ordered.

CRL Fixed Panel Standard U-Clamps

Fixed Panel Standard U-Clamps mount directly to the wall, ceiling or floor to secure vertical fixed glass panels. Clearance between the glass and the floor is 5/32" (4 mm) to 3/16" (5 mm). Clear silicone can be used to provide a clean, water-tight seal.



SPECIFICATIONS:

Glass Thickness: 5/16" (8 mm) and 3/8" (10 mm)

Size: 1-3/4" (44 mm) wide x 1-3/4" (44 mm) high

Material: Solid Brass

Includes: Mounting Screw and Clear Gaskets

Hole Diameter Required: 5/8" (16 mm) or 3/4" (19 mm)

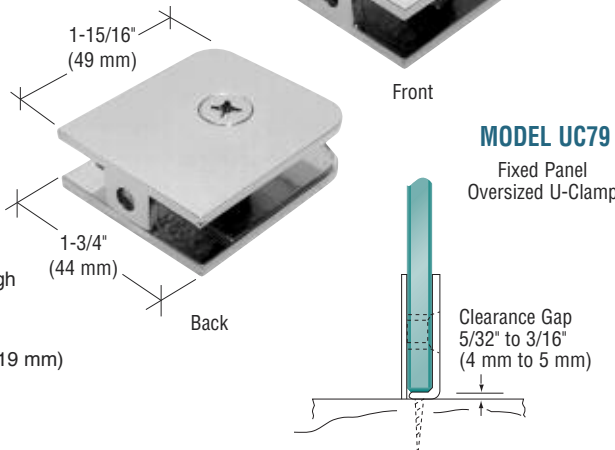
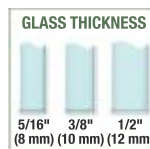
NOTE: An additional set of clear gaskets (Cat. No. UCG77) is required for 5/16" (8 mm) glass

CAT. NO.	FINISH
UC77CH	Polished Chrome
UC77SC	Satin Chrome (Matte)
UC77BSC	Brushed Satin Chrome
UC77BN	Brushed Nickel
UC77PN	Polished Nickel
UC77SN	Satin Nickel
UC77ABN	Antique Brushed Nickel
UC77BR	Polished Brass
UC77SB	Satin Brass
UC77ABR	Antique Brass
UC77UBR	Ultra Brass
UC77ORB	Oil Rubbed Bronze
UC77ABRZ	Antique Bronze
UC77BBRZ	Brushed Bronze
UC77ABCO	Antique Brushed Copper
UC77BCO	Brushed Copper
UC77PCO	Polished Copper
UC77GM	Gun Metal
UC77GP	Gold Plated
UC77W	White
UC77BL	Black
UC77RD	Red

Minimum order: 1 each. All Glass Clamps can be combined for quantity pricing.

CRL Fixed Panel Oversized U-Clamps

Fixed Panel Oversized U-Clamps are especially recommended for 1/2" (12 mm) thick glass installations where a hole drilling measurement of one and a half times glass thickness (from the edge of the hole to the closest edge of the hole) is required by the temperer. Clear silicone can be used to provide a clean, water-tight seal.



SPECIFICATIONS:

Glass Thickness: 5/16" (8 mm) to 1/2" (12 mm)

Size: 1-3/4" (44 mm) wide x 1-15/16" (49 mm) high

Material: Solid Brass

Includes: Mounting Screw and Clear Gaskets

Hole Diameter Required: 5/8" (16 mm) or 3/4" (19 mm)

NOTE: An additional set of clear gaskets (Cat. No. UCG77) is required for 5/16" (8 mm) glass

CAT. NO.	FINISH
UC79CH	Polished Chrome
UC79SC	Satin Chrome (Matte)
UC79BSC	Brushed Satin Chrome
UC79BN	Brushed Nickel
UC79PN	Polished Nickel
UC79SN	Satin Nickel
UC79ABN	Antique Brushed Nickel
UC79BR	Polished Brass
UC79SB	Satin Brass
UC79ABR	Antique Brass
UC79UBR	Ultra Brass
UC79ORB	Oil Rubbed Bronze
UC79ABRZ	Antique Bronze
UC79BBRZ	Brushed Bronze
UC79ABCO	Antique Brushed Copper
UC79BCO	Brushed Copper
UC79PCO	Polished Copper
UC79GM	Gun Metal
UC79GP	Gold Plated
UC79W	White
UC79BL	Black
UC79RD	Red

Minimum order: 1 each. All Glass Clamps can be combined for quantity pricing.



C.R. LAURENCE COMPANY

crlaurence.com | usalum.com

282J | crlaurence.ca crlaurence.com.au crlaurence.co.uk crlaurence.de crlaurence.eu

CRL CLAMPS FOR 5/16" TO 1/2" (8 TO 12 MM) GLASS

For Pricing Visit crlaurence.com or Call Us Toll Free at the Phone Numbers Shown on the Back Cover

CRL Traditional 90 Degree Glass-to-Glass Clamps

A truly versatile 90 Degree Glass-to-Glass Clamp that has two uses: As a 90 Degree Clamp for vertical fixed panels in a glass shower enclosure; as a bracket for horizontal glass shelves within the enclosure. The traditional 90 Degree Clamp design allows for flush mounting of shelf to wall, or for adjoining panels to meet with a minimal gap.

SPECIFICATIONS:

Glass Thickness: 5/16" (8 mm) to 3/8" (10 mm)

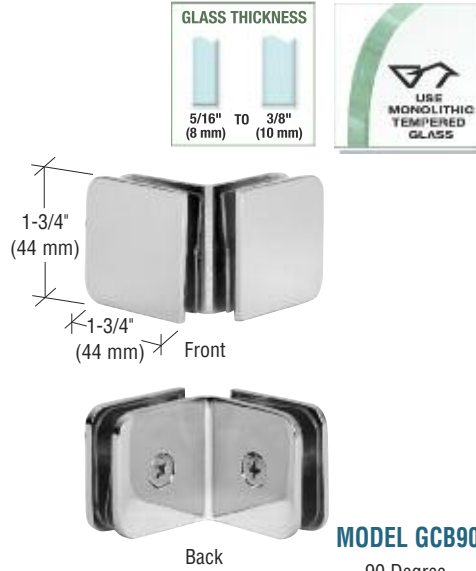
Size: 1-3/4" (44 mm) wide x 1-3/4" (44 mm) high (each plate)

Material: Solid Brass or Stainless Steel

Includes: Gaskets and wood screw for wall mount application

Hole Diameter Required: 5/8" (16 mm) or 3/4" (19 mm) each panel

NOTE: An additional set of gaskets is required for 5/16" (8 mm) glass (Cat. No. UCG77)



MODEL GCB90
90 Degree Glass-to-Glass Clamp

CAT. NO.	FINISH
GCB90CH	Polished Chrome
GCB90SC	Satin Chrome (Matte)
GCB90BSC	Brushed Satin Chrome
GCB90BN	Brushed Nickel
GCB90PN	Polished Nickel
GCB90SN	Satin Nickel
GCB90ABN	Antique Brushed Nickel
GCB90BR	Polished Brass
GCB90SB	Satin Brass
GCB90ABR	Antique Brass
GCB90UBR	Ultra Brass
GCB90ORB	Oil Rubbed Bronze
GCB90ABRZ	Antique Bronze
GCB90BBRZ	Brushed Bronze
GCB90ABCO	Antique Brushed Copper
GCB90GM	Gun Metal
GCB90GP	Gold Plated
GCB90W	White
GCB90BL	Black
GCB90PS	Polished Stainless
GCB90SS	Satin Stainless

Minimum order: 1 each. All Glass Clamps can be combined for quantity pricing.

CRL 90 Degree Oversized Glass-to-Glass Clamps

90 Degree Oversized Glass-to-Glass Clamps are especially suggested for use in 1/2" (12 mm) thick glass installations where a hole drilling measurement of one and a half times the glass thickness (from the edge of the glass to the closest edge of the hole) is required by the temperer.

SPECIFICATIONS:

Glass Thickness: 5/16" (8 mm) to 1/2" (12 mm)

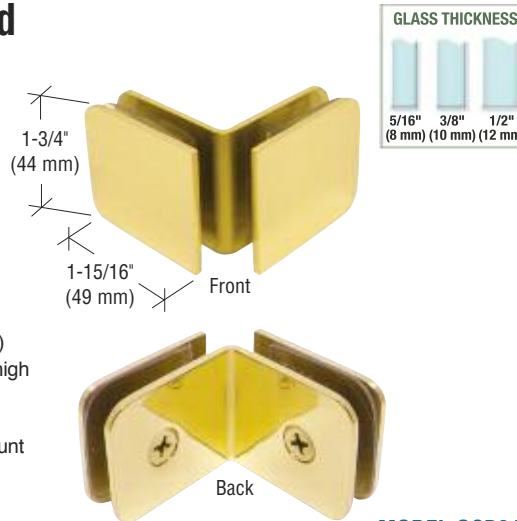
Size: 1-15/16" (49 mm) wide x 1-3/4" (44 mm) high (each panel)

Material: Solid Brass

Includes: Gaskets and wood screw for wall mount application

Hole Diameter Required: 5/8" (16 mm) or 3/4" (19 mm) each panel

NOTE: An additional set of gaskets is required for 5/16" (8 mm) glass (Cat. No. UCG77)



MODEL GCB91
90 Degree Oversized Glass-to-Glass Clamp

CAT. NO.	FINISH
GCB91CH	Polished Chrome
GCB91SC	Satin Chrome (Matte)
GCB91BSC	Brushed Satin Chrome
GCB91BN	Brushed Nickel
GCB91PN	Polished Nickel
GCB91SN	Satin Nickel
GCB91ABN	Antique Brushed Nickel
GCB91BR	Polished Brass
GCB91SB	Satin Brass
GCB91ABR	Antique Brass
GCB91UBR	Ultra Brass
GCB91ORB	Oil Rubbed Bronze
GCB91ABRZ	Antique Bronze
GCB91BBRZ	Brushed Bronze
GCB91ABCO	Antique Brushed Copper
GCB91BCO	Brushed Copper
GCB91GM	Gun Metal
GCB91GP	Gold Plated
GCB91W	White
GCB91BL	Black
GCB91RD	Red

Minimum order: 1 each. All Glass Clamps can be combined for quantity pricing.

CRL Traditional 135 Degree Glass-to-Glass Clamps

Traditional 135 Degree Glass-to-Glass Clamps are designed to join 5/16" (8 mm) to 1/2" (12 mm) thick glass panels that meet at 135 degrees.

SPECIFICATIONS:

Glass Thickness: 5/16" (8 mm) to 1/2" (12 mm)

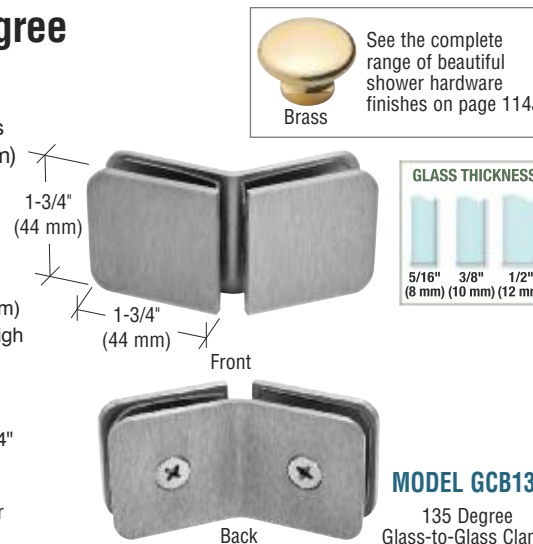
Size: 1-3/4" (44 mm) wide x 1-3/4" (44 mm) high (each plate)

Material: Solid Brass

Includes: Gaskets

Hole Diameter Required: 5/8" (16 mm) or 3/4" (19 mm) each panel

NOTE: An additional set of gaskets is required for 5/16" (8 mm) glass (Cat. No. UCG77)



MODEL GCB135
135 Degree Glass-to-Glass Clamp

CAT. NO.	FINISH
GCB135CH	Polished Chrome
GCB135SC	Satin Chrome (Matte)
GCB135BSC	Brushed Satin Chrome
GCB135BN	Brushed Nickel
GCB135PN	Polished Nickel
GCB135SN	Satin Nickel
GCB135ABN	Antique Brushed Nickel
GCB135BR	Polished Brass
GCB135SB	Satin Brass
GCB135ABR	Antique Brass
GCB135ORB	Oil Rubbed Bronze
GCB135ABRZ	Antique Bronze
GCB135BBRZ	Brushed Bronze
GCB135ABCO	Antique Brushed Copper
GCB135BCO	Brushed Copper
GCB135GM	Gun Metal
GCB135GP	Gold Plated
GCB135W	White
GCB135BL	Black

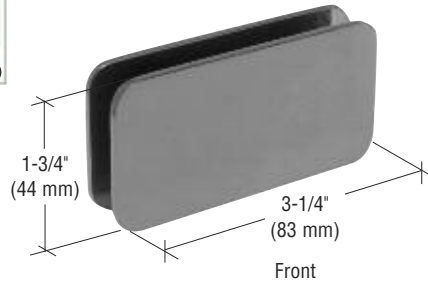
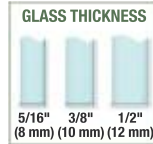
Minimum order: 1 each. All Glass Clamps can be combined for quantity pricing.

CRL CLAMPS FOR 5/16" TO 1/2" (8 TO 12 MM) GLASS

For Pricing Visit crlaurence.com or Call Us Toll Free at the Phone Numbers Shown on the Back Cover

CRL Traditional 180 Degree Glass-to-Glass Clamps

Traditional 180 Degree Glass-to-Glass Clamps are ideal for fixed transom or inline panel installations in frameless shower enclosures. Stud will fit between panels with 7/16" (11 mm) gap, or you can notch the glass around the screw for a tighter gap.



MODEL GCB180
180 Degree Glass-to-Glass Clamp



See the complete range of beautiful shower hardware finishes on page 114J



SPECIFICATIONS:

Glass Thickness: 5/16" (8 mm) to 1/2" (12 mm)

Size: 3-1/4" (83 mm) wide x 1-3/4" (44 mm) high

Material: Solid Brass

Includes: Gaskets

Glass Fabrication Required: 7/16" (11 mm) gap required between two panels, or you can notch the panels around the screw stud for a tighter gap

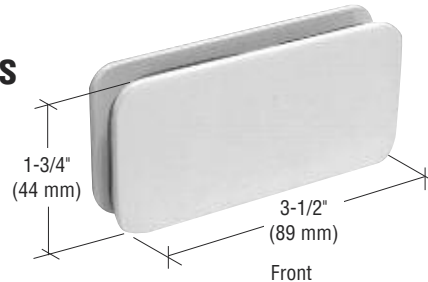
NOTE: An additional set of gaskets is required for 5/16" (8 mm) glass (Cat. No. UCG77)

CAT. NO.	FINISH
GCB180CH	Polished Chrome
GCB180SC	Satin Chrome (Matte)
GCB180BN	Brushed Nickel
GCB180PN	Polished Nickel
GCB180SN	Satin Nickel
GCB180BR	Polished Brass
GCB180SB	Satin Brass
GCB180ABR	Antique Brass
GCB180ORB	Oil Rubbed Bronze
GCB180BBRZ	Brushed Bronze
GCB180ABCO	Antique Brushed Copper
GCB180GM	Gun Metal
GCB180GP	Gold Plated
GCB180W	White
GCB180BL	Black

Minimum order: 1 each. All Glass Clamps can be combined for quantity pricing.

CRL Traditional 180 Degree Double-Stud Glass-to-Glass Clamps

Traditional 180 Degree Double-Stud Glass-to-Glass Clamps allow two inline glass panels to be connected together. A hole through each piece of glass provides extra stability and security.



MODEL GCB184
180 Degree Double-Stud Glass-to-Glass Clamp

SPECIFICATIONS:

Glass Thickness: 5/16" (8 mm) to 1/2" (12 mm)

Size: 3-1/2" (89 mm) wide x 1-3/4" (44 mm) high

Material: Solid Brass

Includes: Gaskets

Hole Diameter Required: 5/8" (16 mm) or 3/4" (19 mm) each panel

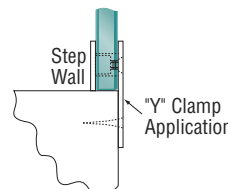
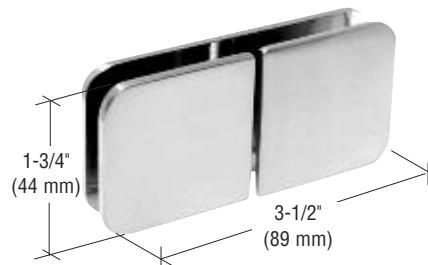
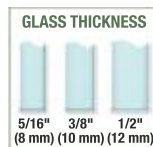
NOTE: An additional set of gaskets is required for 5/16" (8 mm) glass (Cat. No. GCBG184)

CAT. NO.	FINISH
GCB184CH	Polished Chrome
GCB184SC	Satin Chrome (Matte)
GCB184BSC	Brushed Satin Chrome
GCB184BN	Brushed Nickel
GCB184PN	Polished Nickel
GCB184SN	Satin Nickel
GCB184BR	Polished Brass
GCB184SB	Satin Brass
GCB184ABR	Antique Brass
GCB184ORB	Oil Rubbed Bronze
GCB184ABRZ	Antique Bronze
GCB184BBRZ	Brushed Bronze
GCB184GM	Gun Metal
GCB184GP	Gold Plated
GCB184W	White
GCB184BL	Black
GCB184RD	Red

Minimum order: 1 each. All Glass Clamps can be combined for quantity pricing.

CRL Traditional 180 Degree Split Face and "Y" Glass Clamps

This dual purpose Clamp can be used to connect glass panels inline, or as a "Y" Clamp to fasten glass panels flush with the edge of marble or tile walls.



MODEL GCB182
180 Degree Split Face Clamp

SPECIFICATIONS:

Glass Thickness: 5/16" (8 mm) to 1/2" (12 mm)

Size: 3-1/2" (89 mm) wide x 1-3/4" (44 mm) high

Material: Solid Brass

Includes: Gaskets and screw for optional "Y" Inline Clamp installation

Hole Diameter Required: 5/8" (16 mm) or 3/4" (19 mm) each panel

NOTE: An additional set of gaskets is required for 5/16" (8 mm) glass (Cat. No. UCG77)

CAT. NO.	FINISH
GCB182CH	Polished Chrome
GCB182SC	Satin Chrome (Matte)
GCB182BSC	Brushed Satin Chrome
GCB182BN	Brushed Nickel
GCB182PN	Polished Nickel
GCB182BR	Polished Brass
GCB182SB	Satin Brass
GCB182ABR	Antique Brass
GCB182ORB	Oil Rubbed Bronze
GCB182BBRZ	Brushed Bronze
GCB182GM	Gun Metal
GCB182GP	Gold Plated
GCB182W	White
GCB182BL	Black

Minimum order: 1 each. All Glass Clamps can be combined for quantity pricing.



C.R. LAURENCE COMPANY

crlaurence.com | usalum.com

284J | crlaurence.ca crlaurence.com.au crlaurence.co.uk crlaurence.de crlaurence.eu

CRL CLAMPS FOR 5/16" TO 1/2" (8 TO 12 MM) GLASS

For Pricing Visit crlaurence.com or Call Us Toll Free at the Phone Numbers Shown on the Back Cover

CRL Adjustable Glass Clamps

- Adjusts for Non-Standard Angles
- Two Models Available

Our solid brass Wall Mount and Glass-to-Glass Adjustable Glass Clamps are designed to secure glass panels in contemporary shower enclosures. They assist in maintaining the frameless appearance, and provide a clean looking alternative when a wall is not at 90 degrees to the fixed panel, or the glass-to-glass application is not a standard angle. This range of Glass Clamps can accommodate 5/16" (8 mm) to 1/2" (12 mm) glass. Custom finishes are available.



FINISHES:



Most models are stocked in the finishes shown here, others are available on special order.



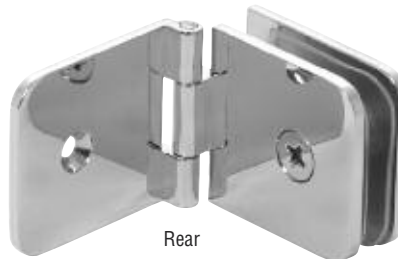
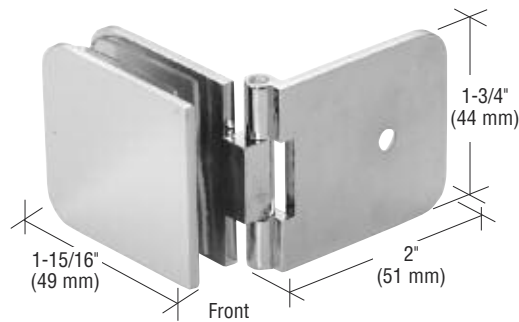
CRL Adjustable Wall Mount Clamps

- Nine Popular Finishes

Adjustable Wall Mount Clamps mount directly to the wall, ceiling or floor to secure vertical fixed glass panels at any angle. Clearance between the glass and surface is 5/32" (4 mm) to 3/16" (5 mm). Clear silicone can be used to provide a clean, water resistant seal.

SPECIFICATIONS:

Glass Thickness: 5/16" (8 mm) to 1/2" (12 mm)
Size: 1-15/16" (49 mm) wide x 1-3/4" (44 mm) high
Material: Solid Brass
Includes: Clear Gaskets and Mounting Screw
Hole Diameter Required: 7/8" (22 mm) each panel
NOTE: An additional set of gaskets is required for 5/16" (8 mm) glass (Cat. No. UCG77)



MODEL ADJ037
Adjustable Wall Mount Clamp



CAT. NO.	FINISH
ADJ037CH	Polished Chrome
ADJ037SC	Satin Chrome (Matte)
ADJ037BSC	Brushed Satin Chrome
ADJ037BN	Brushed Nickel
ADJ037PN	Polished Nickel
ADJ037BR	Polished Brass
ADJ037ABR	Antique Brass
ADJ037ORB	Oil Rubbed Bronze
ADJ037GP	Gold Plated

Minimum order: 1 each. All Glass Clamps can be combined for quantity pricing.

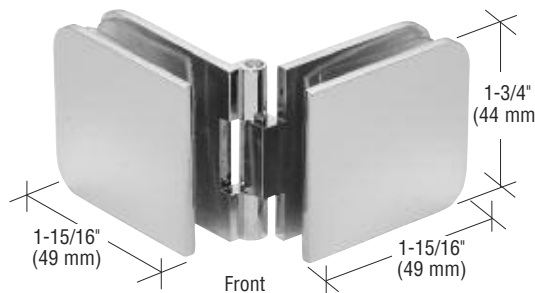
CRL Adjustable Glass-to-Glass Clamps

- Nine Popular Finishes

Adjustable Glass-to-Glass Clamps are designed to join two glass panels 5/16" (8 mm) to 1/2" (12 mm) thick that meet between 90 and 180 degrees. Clear silicone can be used to seal the gap and provide a clean water resistant appearance.

SPECIFICATIONS:

Glass Thickness: 5/16" (8 mm) to 1/2" (12 mm)
Size: 1-15/16" (49 mm) wide x 1-3/4" (44 mm) high (each plate)
Material: Solid Brass
Includes: Clear Gaskets
Hole Diameter Required: 7/8" (22 mm) each panel
NOTE: An additional set of gaskets is required for 5/16" (8 mm) glass (Cat. No. UCG77)



MODEL ADJ180
Adjustable Glass-to-Glass Clamp



CAT. NO.	FINISH
ADJ180CH	Polished Chrome
ADJ180SC	Satin Chrome (Matte)
ADJ180BSC	Brushed Satin Chrome
ADJ180BN	Brushed Nickel
ADJ180PN	Polished Nickel
ADJ180BR	Polished Brass
ADJ180ABR	Antique Brass
ADJ180ORB	Oil Rubbed Bronze
ADJ180GP	Gold Plated

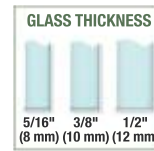
Minimum order: 1 each. All Glass Clamps can be combined for quantity pricing.

CRL CLAMPS FOR 1/4" TO 1/2" (6 TO 12 MM) GLASS

For Pricing Visit crlaurence.com or Call Us Toll Free at the Phone Numbers Shown on the Back Cover

CRL Round Style Fixed Panel U-Clamps

new



Solid Brass Round Style Clamps are designed to secure glass panels in contemporary shower enclosures. They assist in maintaining the frameless appearance and provide a clean looking alternative to U-Channel. Clear silicone can be used to seal the gap and provide a clean, water-tight seal.

SPECIFICATIONS:

Glass Thickness: 5/16" (8 mm) to 1/2" (12 mm)

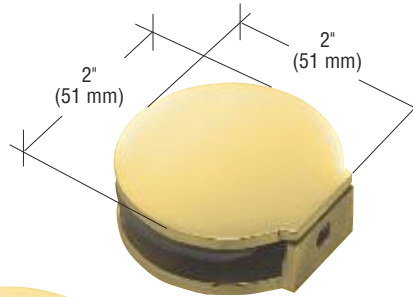
Size: 2" (51 mm) Wide x 2" (51 mm) High

Material: Solid Brass

Includes: Mounting Screw and Clear Gaskets

Hole Diameter Required: 5/8" (16 mm) or 3/4" (19 mm)

NOTE: An additional set of clear gaskets (Cat. No. UCG77) is required for 5/16" (8 mm) glass



Front View



Rear View

MODEL RC79
Wall Mount Clamp

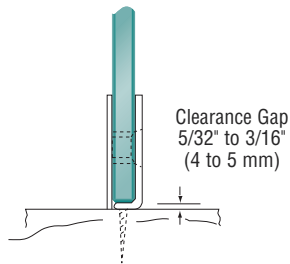
FINISHES:



Most models are stocked in the finishes shown here, others are available on special order.

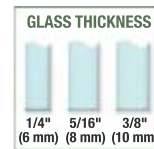
CAT. NO.	FINISH
RC79CH	Polished Chrome
RC79SC	Satin Chrome
RC79BN	Brushed Nickel
RC79PN	Polished Nickel
RC79BR	Polished Brass
RC79ABR	Antique Brass
RC79ORB	Oil Rubbed Bronze
RC79BBRZ	Brushed Bronze
RC79ABCO	Antique Brushed Copper

Minimum order: 1 each. All Glass Clamps can be combined for quantity pricing.



CRL No-Drill Fixed Panel Clamps

new



Made of solid brass, and available in numerous stock finishes, No-Drill Fixed Panel Clamps provide an alternative to Clamps requiring drilled holes or notches in the glass. Two nylon tipped set screws are tightened to secure the glass. Mounting screws are also provided for the wall/ceiling/floor. Silicone must also be used for reinforcement along all glass edges where Clamps are used.

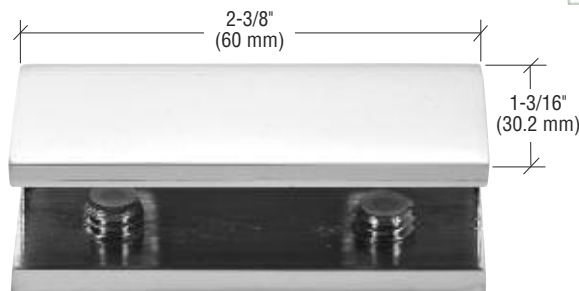
SPECIFICATIONS:

Glass Thickness: NDC4: 5/16" (8 mm) to 3/8" (10 mm); NDC6: 1/4" (6 mm)

Material: Solid Brass

Includes: Mounting Screw and Clear Gaskets

No Glass Fabrication Required



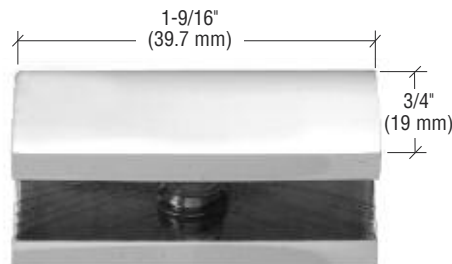
MODEL NDC4

For 5/16" to 3/8" (8 to 10 mm) Glass

FINISHES:



Most models are stocked in the finishes shown here, others are available on special order.



MODEL NDC6

For 1/4" (6 mm) Glass

IMPORTANT NOTE: Do not hinge a door off a fixed panel using these Clamps. Clamps must be used on minimum of three sides of fixed panel (top, bottom, and at least one side). Silicone must be used for reinforcement along the entire edge of the glass where Clamps are used. It is the responsibility of the installer to determine if adequate structural backing support is being used.

5/16" TO 3/8" GLASS CAT. NO.	1/4" GLASS CAT. NO.	FINISH
NDC4CH	NDC6CH	Polished Chrome
NDC4SC	NDC6SC	Satin Chrome
NDC4BN	NDC6BN	Brushed Nickel
NDC4PN	NDC6PN	Polished Nickel
NDC4BR	NDC6BR	Polished Brass
NDC4ABR	NDC6ABR	Antique Brass
NDC4ORB	NDC6ORB	Oil Rubbed Bronze
NDC4BBRZ	NDC6BBRZ	Brushed Bronze
NDC4ABCO	NDC6ABCO	Antique Brushed Copper

Minimum order: 1 each. All Glass Clamps can be combined for quantity pricing.



C.R. LAURENCE COMPANY

crlaurence.com | usalum.com

286J | crlaurence.ca crlaurence.com.au crlaurence.co.uk crlaurence.de crlaurence.eu

CRL CLAMPS FOR 5/16" TO 1/2" (8 TO 12 MM) GLASS

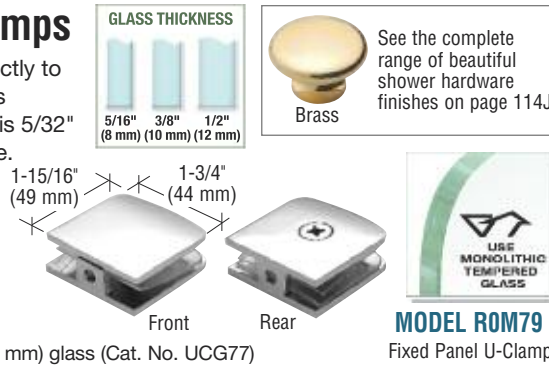
For Pricing Visit crlaurence.com or Call Us Toll Free at the Phone Numbers Shown on the Back Cover

CRL Roman Fixed Panel U-Clamps

Curved design Fixed Panel U-Clamps mount directly to the wall, ceiling or floor to secure vertical fixed glass panels. Clearance between the glass and the floor is 5/32" (4 mm) to 3/16" (5 mm). Seal gap with clear silicone.

SPECIFICATIONS:

Glass Thickness: 5/16" (8 mm) to 1/2" (12 mm)
Size: 1-3/4" (44 mm) wide x 1-15/16" (49 mm) high
Material: Solid Brass
Includes: Gaskets and Mounting Screw
Hole Diameter Required: 5/8" (16 mm) or 3/4" (19 mm)
NOTE: An additional set of gaskets is required for 5/16" (8 mm) glass (Cat. No. UCG77)



CAT. NO.	FINISH
ROM79CH	Polished Chrome
ROM79SC	Satin Chrome (Matte)
ROM79BN	Brushed Nickel
ROM79PN	Polished Nickel
ROM79SN	Satin Nickel
ROM79BR	Polished Brass
ROM79ABR	Antique Brass
ROM79SB	Satin Brass
ROM79ORB	Oil Rubbed Bronze

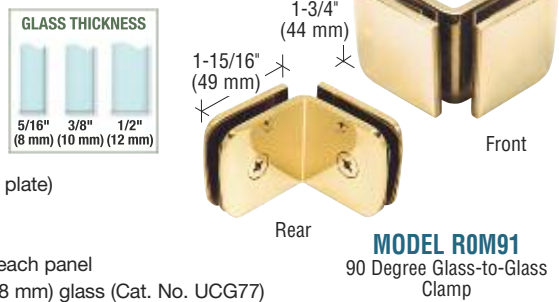
Minimum order: 1 each. All Glass Clamps can be combined for quantity pricing.

CRL Roman 90 Degree Glass-to-Glass Clamps

90 Degree Glass-to-Glass Clamp has two uses: as a 90 Degree Clamp for vertical fixed panels in a glass shower enclosure; as a Bracket for horizontal glass shelves within the enclosure.

SPECIFICATIONS:

Glass Thickness: 5/16" (8 mm) to 1/2" (12 mm)
Size: 1-3/4" (44 mm) wide x 1-15/16" (49 mm) high (each plate)
Material: Solid Brass
Includes: Gaskets and Wood Screws
Hole Diameter Required: 5/8" (16 mm) or 3/4" (19 mm) each panel
NOTE: An additional set of gaskets is required for 5/16" (8 mm) glass (Cat. No. UCG77)



CAT. NO.	FINISH
ROM91CH	Polished Chrome
ROM91SC	Satin Chrome (Matte)
ROM91BN	Brushed Nickel
ROM91PN	Polished Nickel
ROM91SN	Satin Nickel
ROM91BR	Polished Brass
ROM91ORB	Oil Rubbed Bronze

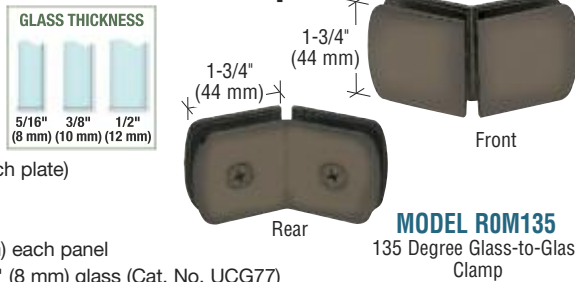
Minimum order: 1 each. All Glass Clamps can be combined for quantity pricing.

CRL Roman 135 Degree Glass-to-Glass Clamps

These Glass-to-Glass Clamps are designed to join 5/16" (8 mm) to 1/2" (12 mm) thick glass panels that meet at 135 degrees.

SPECIFICATIONS:

Glass Thickness: 5/16" (8 mm) to 1/2" (12 mm)
Size: 1-3/4" (44 mm) wide x 1-15/16" (49 mm) high (each plate)
Material: Solid Brass
Includes: Gaskets
Hole Diameter Required: 5/8" (16 mm) or 3/4" (19 mm) each panel
NOTE: An additional set of gaskets is required for 5/16" (8 mm) glass (Cat. No. UCG77)



CAT. NO.	FINISH
ROM135CH	Polished Chrome
ROM135SC	Satin Chrome (Matte)
ROM135BN	Brushed Nickel
ROM135PN	Polished Nickel
ROM135BR	Polished Brass
ROM135ORB	Oil Rubbed Bronze

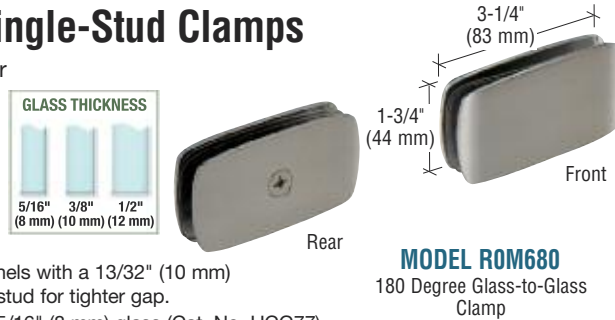
Minimum order: 1 each. All Glass Clamps can be combined for quantity pricing.

CRL Roman 180 Degree Single-Stud Clamps

180 Degree Glass-to-Glass Clamp ideal for inline fixed transom or panel installations.

SPECIFICATIONS:

Glass Thickness: 5/16" (8 mm) to 1/2" (12 mm)
Size: 3-1/4" (83 mm) wide x 1-3/4" (44 mm) high
Material: Solid Brass
Includes: Gaskets
Hole Diameter Required: Stud will fit between panels with a 13/32" (10 mm) gap, or you can notch the glass around the screw stud for tighter gap.
NOTE: An additional set of gaskets is required for 5/16" (8 mm) glass (Cat. No. UCG77)



CAT. NO.	FINISH
ROM680CH	Polished Chrome
ROM680SC	Satin Chrome (Matte)
ROM680BN	Brushed Nickel
ROM680BR	Polished Brass
ROM680ORB	Oil Rubbed Bronze

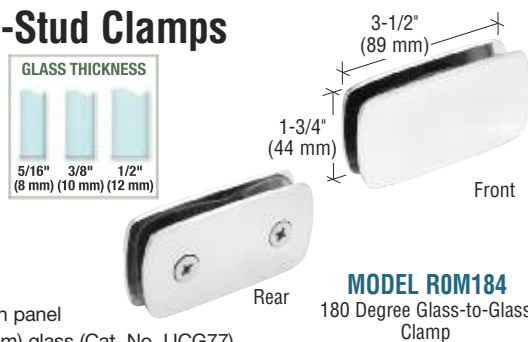
Minimum order: 1 each. All Glass Clamps can be combined for quantity pricing.

CRL Roman 180 Degree Double-Stud Clamps

180 Degree Double-Stud Glass-to-Glass Clamps are used to join together two fixed inline glass panels. Extra stability is achieved by the hole made in each panel to accommodate the clamp's internal studs.

SPECIFICATIONS:

Glass Thickness: 5/16" (8 mm) to 1/2" (12 mm)
Size: 3-1/2" (89 mm) wide x 1-3/4" (44 mm) high
Material: Solid Brass
Includes: Gaskets
Hole Diameter Required: 5/8" (16 mm) or 3/4" (19 mm) each panel
NOTE: An additional set of gaskets is required for 5/16" (8 mm) glass (Cat. No. UCG77)



CAT. NO.	FINISH
ROM184CH	Polished Chrome
ROM184SC	Satin Chrome (Matte)
ROM184BN	Brushed Nickel
ROM184PN	Polished Nickel
ROM184BR	Polished Brass
ROM184ORB	Oil Rubbed Bronze

Minimum order: 1 each. All Glass Clamps can be combined for quantity pricing.

CRL CLAMPS FOR 5/16" TO 1/2" (8 TO 12 MM) GLASS

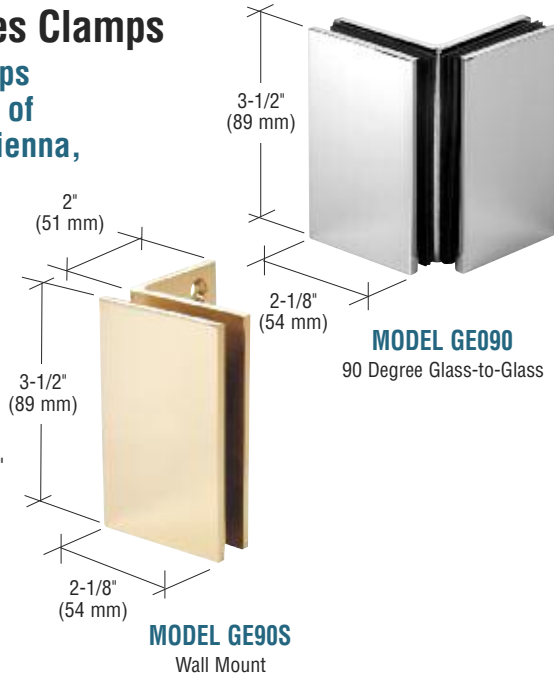
For Pricing Visit crlaurence.com or Call Us Toll Free at the Phone Numbers Shown on the Back Cover

CRL Glass Clamps to Match Hinges

- Wall Mount and 90 Degree Glass-to-Glass Brackets That Match the Configuration of Our Hinge Series

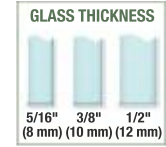
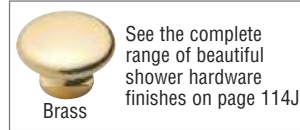
CRL Geneva Series Clamps

- Square Corner Clamps Match Configuration of Geneva, Concord, Vienna, and Cardiff Hinges



SPECIFICATIONS:

Glass Thickness:
5/16" (8 mm) to 1/2" (12 mm)
Size: 2-1/8" (54 mm) wide x 3-1/2" (89 mm) high
Material: Solid Brass
Includes: Gaskets and Mounting Screws
Hole Diameter Required:
Two 3/4" (19 mm) holes per panel

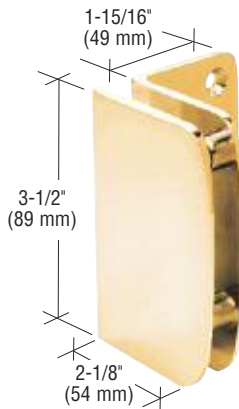


WALL MOUNT CAT. NO.	90 DEGREE GLASS-TO-GLASS CAT. NO.	FINISH
GE90SCH	GE90CH	Polished Chrome
GE90SSC	GE90SC	Satin Chrome (Matte)
GE90SBSC	GE90BSC	Brushed Satin Chrome
GE90SBN	GE90BN	Brushed Nickel
GE90SPN	GE90PN	Polished Nickel
GE90SSN	GE90SN	Satin Nickel
GE90SBR	GE90BR	Polished Brass
GE90SSB	---	Satin Brass
GE90SABR	GE90ABR	Antique Brass
GE90SORB	GE90ORB	Oil Rubbed Bronze
GE90SABRZ	---	Antique Bronze
GE90SBRZ	---	Brushed Bronze
GE90SABCO	GE90ABCO	Antique Brushed Copper
GE90SGP	GE90GP	Gold Plated
GE90SW	GE90W	White/Chrome Screws

Minimum order: 1 each. All Glass Clamps can be combined for quantity pricing.

CRL Roman Series Clamps

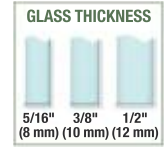
- Curved Corners to Match Roman Series Hinges



SPECIFICATIONS:

Glass Thickness: 5/16" (8 mm) to 1/2" (12 mm)
Size: 2-1/8" (54 mm) wide x 3-1/2" (89 mm) high
Material: Solid Brass
Includes: Gaskets and Mounting Screws
Hole Diameter Required:
Two 3/4" (19 mm) holes per panel

MODEL R090S
Wall Mount

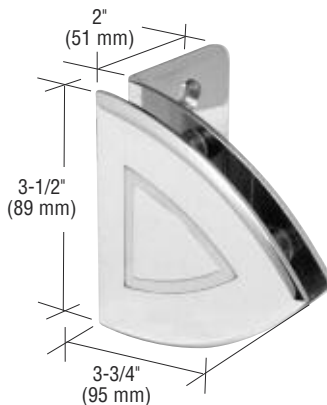


WALL MOUNT CAT. NO.	FINISH
R090SCH	Polished Chrome
R090SSC	Satin Chrome (Matte)
R090SBN	Brushed Nickel
R090SPN	Polished Nickel
R090SBR	Polished Brass
R090SORB	Oil Rubbed Bronze

Minimum order: 1 each. All Glass Clamps can be combined for quantity pricing.

CRL Cathedral Series Clamps

- Arrowhead Design to Match Cathedral Series Hinges



SPECIFICATIONS:

Glass Thickness: 5/16" (8 mm) to 1/2" (12 mm)
Size: 3-3/4" (95 mm) wide x 3-1/2" (89 mm) high
Material: Solid Brass
Includes: Gaskets and Mounting Screws
Hole Diameter Required:
Three 3/4" (19 mm) holes per panel

MODEL CA90S
Wall Mount



WALL MOUNT CAT. NO.	FINISH/ACCENT
CA90SCH	Polished Chrome/Gold Plated
CA90SSC	Satin Chrome (Matte)/Polished Chrome
CA90SBR	Polished Brass/Polished Chrome
CA90SGP	Gold Plated/Satin Chrome (Matte)
CA90SW	White/Chrome

Minimum order: 1 each. All Glass Clamps can be combined for quantity pricing.



C.R. LAURENCE COMPANY

crlaurence.com | usalum.com

288J | crlaurence.ca crlaurence.com.au crlaurence.co.uk crlaurence.de crlaurence.eu

CRL CLAMPS FOR 5/16" TO 1/2" (8 TO 12 MM) GLASS

For Pricing Visit crlaurence.com or Call Us Toll Free at the Phone Numbers Shown on the Back Cover

CRL Pinnacle Series Clamps

- Beveled Clamps to Match Pinnacle, Prima, Senior Prima, Cologne, and Estate Hinges

SPECIFICATIONS:

Glass Thickness: 5/16" (8 mm) to 1/2" (12 mm)

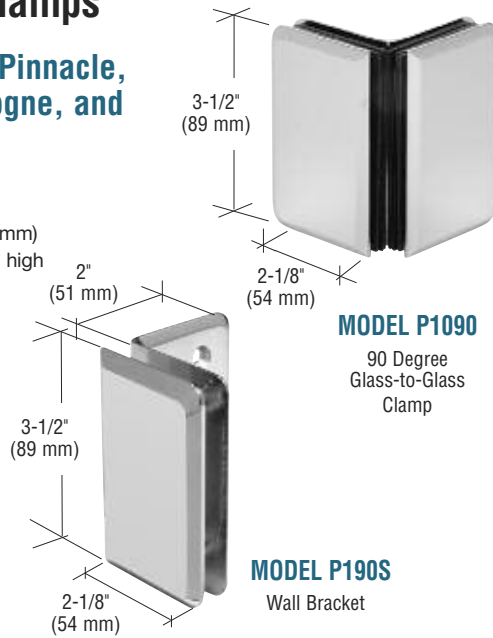
Size: 2-1/8" (54 mm) wide x 3-1/2" (89 mm) high

Material: Solid Brass

Includes: Gaskets and Mounting Screws

Hole Diameter Required:

Two 3/4" (19 mm) holes per panel



WALL MOUNT CAT. NO.	90 DEGREE GLASS-TO-GLASS CAT. NO.	FINISH
P190SCH	P1090CH	Polished Chrome
P190SSC	P1090SC	Satin Chrome (Matte)
P190SBSC	P1090BSC	Brushed Satin Chrome
P190SBN	P1090BN	Brushed Nickel
P190SPN	P1090PN	Polished Nickel
P190SABN	---	Antique Brushed Nickel
P190SBR	P1090BR	Polished Brass
P190SSB	P1090SB	Satin Brass
P190SABR	P1090ABR	Antique Brass
P190SORB	P1090ORB	Oil Rubbed Bronze
P190SABRZ	---	Antique Bronze
P190SBBRZ	---	Brushed Bronze
P190SGP	P1090GP	Gold Plated
P190SW	P1090W	White/Chrome Screws

Minimum order: 1 each. All Glass Clamps can be combined for quantity pricing.

CRL Grande Series Clamps

- Beveled Edge Design

SPECIFICATIONS:

Glass Thickness: 5/16" (8 mm) to 3/8" (10 mm)

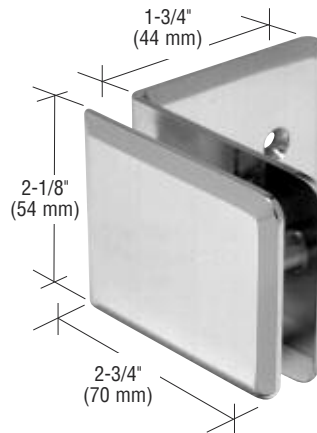
Size: 2-3/4" (70 mm) wide x 2-1/8" (54 mm) high

Material: Solid Brass

Includes: Gaskets and Mounting Screws

Hole Diameter Required:

One 3/4" (19 mm) hole and notch



MODEL GR90S
Wall Bracket

WALL MOUNT CAT. NO.	FINISH
GR90SCH	Polished Chrome
GR90SSC	Satin Chrome (Matte)
GR90SBN	Brushed Nickel
GR90SBR	Polished Brass

Minimum order: 1 each. All Glass Clamps can be combined for quantity pricing.

CRL Classique Series Clamps

- Rounded Design With Beveled Edges

SPECIFICATIONS:

Glass Thickness: 5/16" (8 mm) to 1/2" (12 mm)

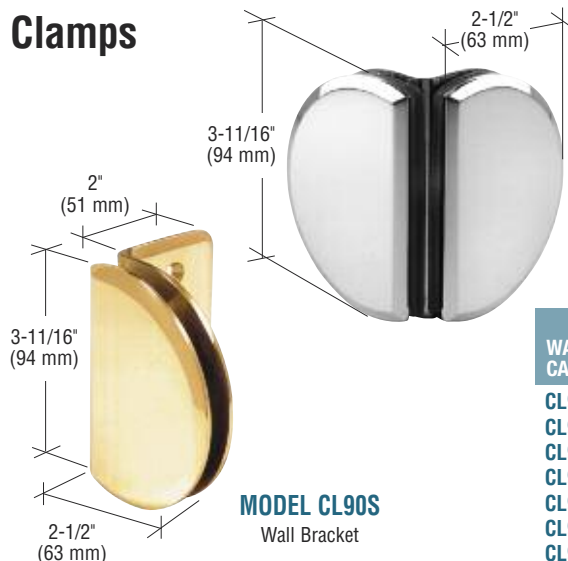
Size: 2-1/2" (63 mm) wide x 3-11/16" (94 mm) high

Material: Solid Brass

Includes: Gaskets and Mounting Screws

Hole Diameter Required:

Two 5/8" (16 mm) or 3/4" (19 mm) holes per panel



MODEL CL090
90 Degree Glass-to-Glass Clamp

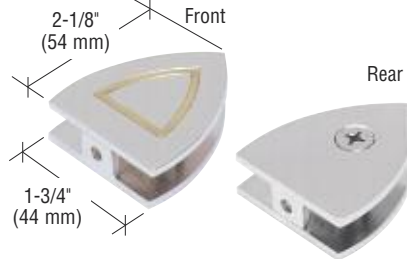
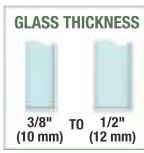
WALL MOUNT CAT. NO.	90 DEGREE GLASS-TO-GLASS CAT. NO.	FINISH
CL90SCH	CL090CH	Polished Chrome
CL90SSC	CL090SC	Satin Chrome (Matte)
CL90SBN	CL090BN	Brushed Nickel
CL90SBR	CL090BR	Polished Brass
CL90SORB	CL090ORB	Oil Rubbed Bronze
CL90SGP	CL090GP	Gold Plated
CL90SW	CL090W	White/Chrome Screws

Minimum order: 1 each. All Glass Clamps can be combined for quantity pricing.

CRL CLAMPS FOR 3/8" TO 1/2" (10 TO 12 MM) GLASS

For Pricing Visit crlaurence.com or Call Us Toll Free at the Phone Numbers Shown on the Back Cover

CRL Cathedral Wall Mount Clamps



MODEL GCB279
Wall Mount Clamp

SPECIFICATIONS:

Glass Thickness: 3/8" (10 mm) to 1/2" (12 mm)

Size: 2-1/8" (54 mm) wide x 1-3/4" (44 mm) high

Material: Solid Brass

Includes: Gasket and Mounting Screw

Hole Diameter Required: 5/8" (16 mm) or 3/4" (19 mm)

Cathedral U-Clamps mount directly to the wall, ceiling or floor to secure vertical fixed glass panels. The Clamps are designed to match two-tone Cathedral Hinges. Clearance between the glass and the floor is 5/32" (4 mm) to 3/16" (5 mm). Seal gap with clear silicone.

CAT. NO.	FINISH/ACCENT
GCB279CH	Polished Chrome/Gold Plated
GCB279SC	Satin Chrome (Matte)/Polished Chrome
GCB279BR	Polished Brass/Polished Chrome
GCB279BRBA	Polished Brass/Polished Brass
GCB279GP	Gold Plated/Satin Chrome (Matte)
GCB279W	White/Chrome

Minimum order: 1 each. All Glass Clamps can be combined for quantity pricing.

CRL Cathedral 90 Degree Glass-to-Glass Clamps



MODEL GCB290
90 Degree Glass-to-Glass Clamp

SPECIFICATIONS:

Glass Thickness: 3/8" (10 mm) to 1/2" (12 mm)

Size: 2-1/8" (54 mm) wide x 1-3/4" (44 mm) high (each plate)

Material: Solid Brass

Includes: Gaskets and Wood Screw for wall mount application

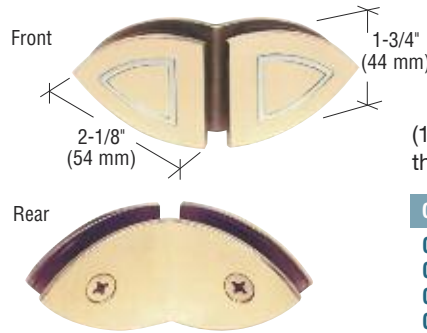
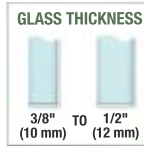
Hole Diameter Required: 5/8" (16 mm) or 3/4" (19 mm) (each panel)

A truly versatile 90 Degree Glass Clamp that has two uses: As a 90 Degree Clamp for vertical fixed panels in a glass shower enclosure; as a Bracket for horizontal glass shelves within the enclosure. The 90 Degree Glass Clamp design allows for flush mounting of shelf to wall, or for adjoining panels to meet with minimal gap.

CAT. NO.	FINISH/ACCENT
GCB290CH	Polished Chrome/Gold Plated
GCB290SC	Satin Chrome (Matte)/Polished Chrome
GCB290BR	Polished Brass/Polished Chrome
GCB290GP	Gold Plated/Satin Chrome (Matte)
GCB290W	White/Chrome

Minimum order: 1 each. All Glass Clamps can be combined for quantity pricing.

CRL Cathedral 135 Degree Glass-to-Glass Clamps



MODEL GCB235
135 Degree Glass-to-Glass Clamp

SPECIFICATIONS:

Glass Thickness: 3/8" (10 mm) to 1/2" (12 mm)

Size: 2-1/8" (54 mm) wide x 1-3/4" (44 mm) high (each plate)

Material: Solid Brass

Includes: Gaskets

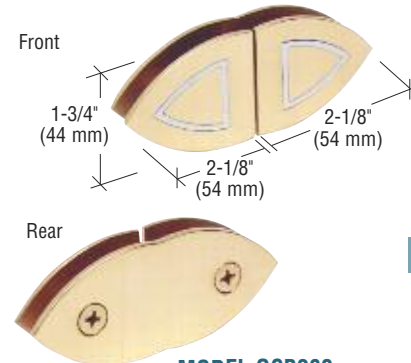
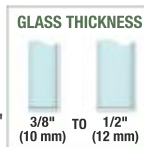
Hole Diameter Required: 5/8" (16 mm) or 3/4" (19 mm) (each panel)

These Clamps are designed to join 3/8" (10 mm) or 1/2" (12 mm) thick glass panels that meet at 135 degrees.

CAT. NO.	FINISH/ACCENT
GCB235CH	Polished Chrome/Gold Plated
GCB235SC	Satin Chrome (Matte)/Polished Chrome
GCB235BR	Polished Brass/Polished Chrome
GCB235GP	Gold Plated/Satin Chrome (Matte)
GCB235W	White/Chrome

Minimum order: 1 each. All Glass Clamps can be combined for quantity pricing.

CRL Cathedral 180 Degree Glass-to-Glass Clamps



MODEL GCB280
180 Degree Glass-to-Glass Clamp

SPECIFICATIONS:

Glass Thickness: 3/8" (10 mm) to 1/2" (12 mm)

Size: 4-5/16" (110 mm) wide x 1-3/4" (44 mm) high

Material: Solid Brass

Includes: Gaskets

Hole Diameter Required: 5/8" (16 mm) or 3/4" (19 mm) (each panel)

These Clamps are designed to join 3/8" (10 mm) or 1/2" (12 mm) thick glass panels that meet at 180 degrees.

CAT. NO.	FINISH/ACCENT
GCB280CH	Polished Chrome/Gold Plated
GCB280SC	Satin Chrome (Matte)/Polished Chrome
GCB280BR	Polished Brass/Polished Chrome
GCB280GP	Gold Plated/Satin Chrome (Matte)

Minimum order: 1 each. All Glass Clamps can be combined for quantity pricing.



C.R. LAURENCE COMPANY

crlaurence.com | usalum.com

290J | crlaurence.ca crlaurence.com.au crlaurence.co.uk crlaurence.de crlaurence.eu

CRL CLAMPS FOR 5/16" TO 1/2" (8 TO 12 MM) GLASS

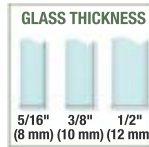
For Pricing Visit crlaurence.com or Call Us Toll Free at the Phone Numbers Shown on the Back Cover

CRL 3-Point Ceiling Mount Movable Transom Clamps

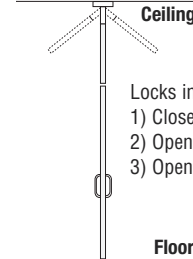
- Mounts to Ceiling Instead of Traditional Side Mounting Application
- Three Stopping Points Include 45 Degrees Out, Closed Position, and 45 Degrees In
- Stocked in Two Styles and Five Popular Finishes

Our new 3-Point Movable Transom Clamps provide design alternatives to the traditional side mounted "teeter-totter" application. Mounted to the ceiling instead of the sides of the transom allows more glass exposure. The Clamps will hold at 45 degrees inward, at the closed position, and at 45 degrees outward. The square or beveled appearance matches many of our popular Hinge Series. Available finishes are Polished Chrome, Polished Brass, Brushed Nickel, Oil Rubbed Bronze, and Satin Chrome. Accommodates 5/16", 3/8", and 1/2" (8, 10, and 12 mm) thick tempered glass. **NOTE:** Maximum transom size is 28" W x 12" H (711 x 305 mm). Two Clamps must be used per transom.

new



Ceiling Mount Movable Transom Clamp



- Locks into 3 Positions:
- 1) Closed (Inline with Door)
 - 2) Open 45° Outward
 - 3) Open 45° Inward

FINISHES:



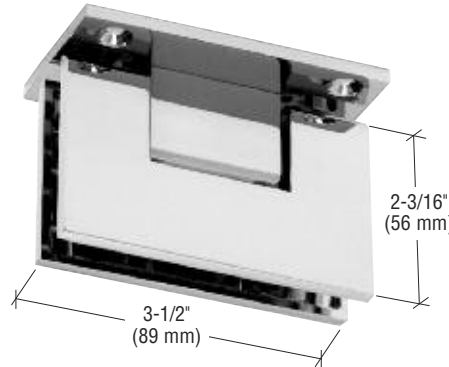
Most models are stocked in the finishes shown here, others are available on special order.

CRL Geneva Style 3-Point Ceiling Mount Movable Transom Clamp

- Square Style
- Five Popular Finishes

SPECIFICATIONS:

Glass Thickness: 5/16" (8 mm) to 1/2" (12 mm)
Size: 3-1/2" (89 mm) Wide x 2-3/16" (56 mm) High
Material: Solid Brass
Includes: Gaskets, Mounting Screws, Phillips Screws, Allen Screws, and Glass Fabrication Dimensions
Cut-Out Required



new



CAT. NO.	FINISH
GTC037CH	Polished Chrome
GTC037SC	Satin Chrome (Matte)
GTC037BN	Brushed Nickel
GTC037BR	Polished Brass
GTC037ORB	Oil Rubbed Bronze

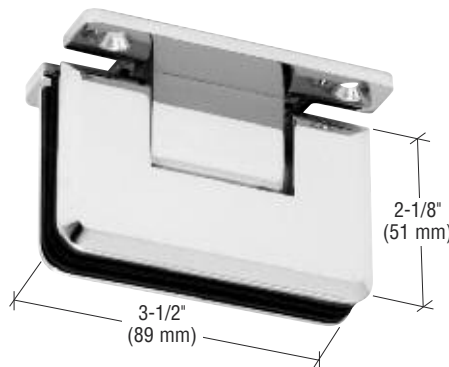
Minimum order: 1 each. All Glass Clamps can be combined for quantity pricing.

CRL Pinnacle Style 3-Point Ceiling Mount Movable Transom Clamp

- Beveled Style
- Five Popular Finishes

SPECIFICATIONS:

Glass Thickness: 5/16" (8 mm) to 1/2" (12 mm)
Size: 3-1/2" (89 mm) Wide x 2-1/8" (54 mm) High
Material: Solid Brass
Includes: Gaskets, Mounting Screws, Phillips Screws, Allen Screws, and Glass Fabrication Dimensions
Cut-Out Required



new



CAT. NO.	FINISH
PTC037CH	Polished Chrome
PTC037SC	Satin Chrome (Matte)
PTC037BN	Brushed Nickel
PTC037BR	Polished Brass
PTC037ORB	Oil Rubbed Bronze

Minimum order: 1 each. All Glass Clamps can be combined for quantity pricing.

CRL CLAMPS FOR 5/16" TO 1/2" (8 TO 12 MM) GLASS

For Pricing Visit crlaurence.com or Call Us Toll Free at the Phone Numbers Shown on the Back Cover

CRL Movable Transom Glass Clamps

- Glass Transom Swivels to Allow Release of Steam
- Wall Mount, 180 Degree, and 135 Degree Models Available



MODEL GCB186



MODEL GCB188



MODEL GCB335

Our Movable Transom Glass Clamps feature solid brass construction and a variety of finishes to match our complete line of Shower Door Hinges. Appropriate mounting screws and one set of gaskets are included with each Clamp. Extra gaskets may be ordered separately (Cat. No. UCG77). Glass fabrication is required.

CRL Standard Wall Mount Movable Transom Glass Clamps

- Simply Screws Into Wall
- Washer Allows Transom to Pivot

Standard Wall Mount Movable Transom Glass Clamps are designed to rotate a movable transom off a wall. Clamp must be centered on the transom to achieve balanced movement and optimum performance. Replacement Nylon Washer is Cat. No. 90295A120, and Gaskets are Cat. No. UCG77.

SPECIFICATIONS:

Glass Thickness: 5/16" (8 mm) to 1/2" (12 mm)

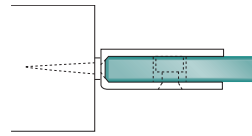
Size: 1-15/16" (49 mm) wide x 1-3/4" (44 mm) high

Material: Solid Brass

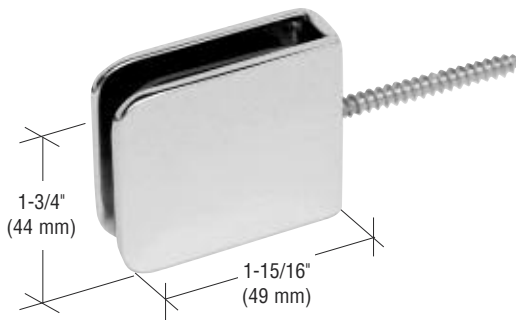
Includes: Gaskets and mounting screw

Hole Diameter Required: 5/8" (16 mm) or 3/4" (19 mm)

NOTE: Maximum transom size is 12" (305 mm) high x 30" (762 mm) wide. Larger transoms require the use of Square or Beveled Transom Clamps, or pivot hinges used as movable transom clamps. Call for details.



Wall Mount Movable Transom Application



MODEL GCB186

Wall Mount Movable Transom Clamp

CAT. NO.	FINISH
GCB186CH	Polished Chrome
GCB186SC	Satin Chrome (Matte)
GCB186BSC	Brushed Satin Chrome
GCB186BN	Brushed Nickel
GCB186PN	Polished Nickel
GCB186SN	Satin Nickel
GCB186ABN	Antique Brushed Nickel
GCB186BR	Polished Brass
GCB186SB	Satin Brass
GCB186ABR	Antique Brass
GCB186ORB	Oil Rubbed Bronze
GCB186ABC0	Antique Brushed Copper
GCB186GM	Gun Metal
GCB186GP	Gold Plated
GCB186W	White
GCB186BL	Black

Minimum order: 1 each. All Glass Clamps can be combined for quantity pricing. **NOTE:** All Shower Door Transom Clamps are sold by the each, not in pairs. Be sure to order a minimum of two each clamps to install one transom.



C.R. LAURENCE COMPANY

crlaurence.com | usalum.com

292J | crlaurence.ca crlaurence.com.au crlaurence.co.uk crlaurence.de crlaurence.eu

CRL CLAMPS FOR 5/16" TO 1/2" (8 TO 12 MM) GLASS

For Pricing Visit crlaurence.com or Call Us Toll Free at the Phone Numbers Shown on the Back Cover

CRL Standard 180 Degree Glass-to-Glass Movable Transom Clamps

• Special Nylock Nut Allows Pivoting of Clamps

The Standard 180 Degree Glass-to-Glass Movable Transom Clamp is designed to pivot transom panels above the shower door. Wall Mount and 180 Degree Glass-to-Glass Clamps can be used in combination, depending upon the configuration of the enclosure. Clamp should be centered on glass for optimum performance. Replacement Nylon Washer is Cat. No. 90295A120, and Gaskets are Cat. No. UCG77.

SPECIFICATIONS:

Glass Thickness: 5/16" (8 mm) to 1/2" (12 mm)

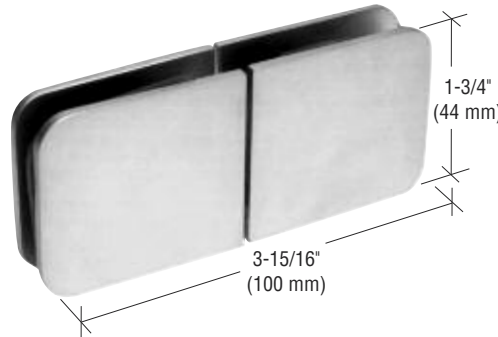
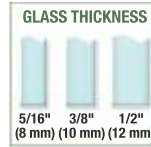
Size: 3-15/16" (100 mm) wide x 1-3/4" (44 mm) high

Material: Solid Brass

Includes: Gaskets

Glass Fabrication Required: 5/8" (16 mm) or 3/4" (19 mm) diameter hole in fixed panel and a notch in transom.

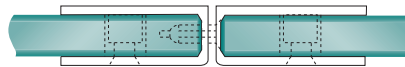
NOTE: Maximum transom size is 12" (305 mm) high x 30" (762 mm) wide. Larger transoms require the use of Square or Beveled Transom Clamps, or pivot hinges used as movable transom clamps. Call for details.



MODEL GCB188

180 Degree Glass-to-Glass Movable Transom Clamp

180 Degree Glass-to-Glass Movable Transom Application



CAT. NO.	FINISH
GCB188CH	Polished Chrome
GCB188SC	Satin Chrome (Matte)
GCB188BSC	Brushed Satin Chrome
GCB188BN	Brushed Nickel
GCB188PN	Polished Nickel
GCB188SN	Satin Nickel
GCB188ABN	Antique Brushed Nickel
GCB188BR	Polished Brass
GCB188SB	Satin Brass
GCB188ABR	Antique Brass
GCB188ORB	Oil Rubbed Bronze
GCB188ABRZ	Antique Bronze
GCB188ABCO	Antique Brushed Copper
GCB188GP	Gold Plated
GCB188W	White
GCB188BL	Black

Minimum order: 1 each. All Glass Clamps can be combined for quantity pricing. **NOTE:** All Shower Door Transom Clamps are sold by the each, not in pairs. Be sure to order a minimum of two each clamps to install one transom.

CRL Standard 135 Degree Glass-to-Glass Movable Transom Clamps

• Can Be Used in Conjunction With Other CRL Movable Transom Clamps

135 Degree Movable Transom Glass Clamps are used to pivot transom panels above the door, when the door is meeting a fixed panel at 135 degrees. These Clamps can also be used in combination with our Wall Mount Movable Transom Clamp (Cat. No. GCB186), or our 180 Degree Glass-to-Glass Movable Transom Clamp (Cat. No. GCB188). The movable transom and the door should be square cut, while the fixed panel using the 135 Degree Movable Transom Clamp should be mitered at 45 degrees. Constructed of solid brass, these Clamps come in all standard finishes, with custom finishes available on special order. Clamp should be centered on glass for optimum performance. Replacement parts are Cat. Nos. 90295A120 (Nylon Washer), 193004 (Nut), 211039 (Screw), and UCG77 (Gaskets).

SPECIFICATIONS:

Glass Thickness: 5/16" (8 mm) to 1/2" (12 mm)

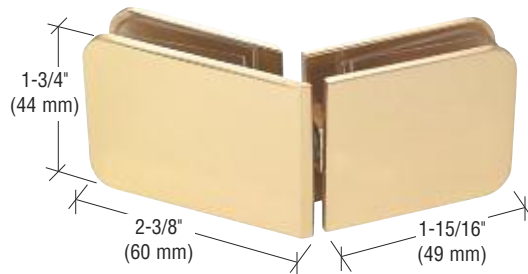
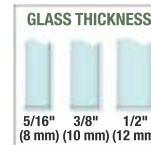
Size: 1-15/16" (49 mm) wide x 1-3/4" (44 mm) high

Material: Solid Brass

Includes: Gaskets

Glass Fabrication Required: 5/8" (16 mm) or 3/4" (19 mm) diameter hole in movable transom, notch in the fixed panel

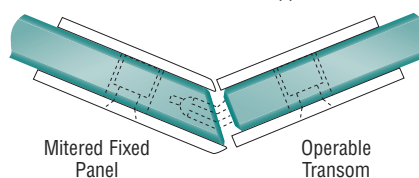
NOTE: Maximum transom size is 12" (305 mm) high x 30" (762 mm) wide.



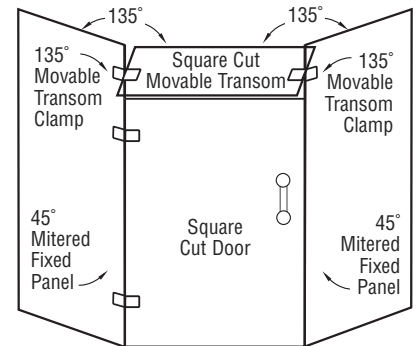
MODEL GCB335

135 Degree Glass-to-Glass Movable Transom Clamp

135 Degree Glass-to-Glass Movable Transom Application



Typical Application



CAT. NO.	FINISH
GCB335CH	Polished Chrome
GCB335SC	Satin Chrome (Matte)
GCB335BSC	Brushed Satin Chrome
GCB335BN	Brushed Nickel
GCB335PN	Polished Nickel
GCB335SN	Satin Nickel
GCB335ABN	Antique Brushed Nickel
GCB335BR	Polished Brass
GCB335SB	Satin Brass
GCB335ABR	Antique Brass
GCB335ORB	Oil Rubbed Bronze
GCB335ABRZ	Antique Bronze
GCB335ABCO	Antique Brushed Copper
GCB335GP	Gold Plated
GCB335SGP	Satin Gold Plated

Minimum order: 1 each. All Glass Clamps can be combined for quantity pricing. **NOTE:** All Shower Door Transom Clamps are sold by the each, not in pairs. Be sure to order a minimum of two each clamps to install one transom.

CRL CLAMPS FOR 5/16" TO 1/2" (8 TO 12 MM) GLASS

For Pricing Visit crlaurence.com or Call Us Toll Free at the Phone Numbers Shown on the Back Cover

CRL Sleeve-Over Glass Clamps

Sleeve-Over Glass Clamps were designed with two purposes in mind. The first is to provide a mechanical fastener to assist with shear forces placed on the glass panels. The second is to provide a securing clamp that would hold the glass panels in position while the sealant applied in the joint cures (the silicone sealant glues the glass panels together, prevents water leakage, and provides the pull strength to keep panels from separating). Clamps are secured in place by a nylon tipped Allen screw, and can be used on both square cut or mitered panels.

SPECIFICATIONS:

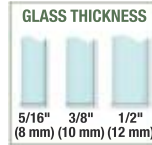
Glass Thickness: 5/16" (8 mm) to 1/2" (12 mm)

Material: Solid Brass

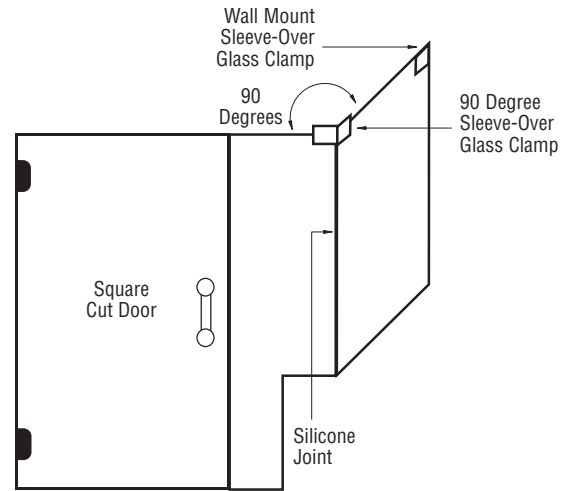
Includes: Gaskets

No Glass Fabrication Required

NOTE: Clamps tighten using nylon tipped Allen screws. These Clamps are not designed to take the place of Headers or a Support Bar. Contact CRL Frameless Shower Technical Sales for more details.



See the complete range of beautiful shower hardware finishes on page 114J
Brass

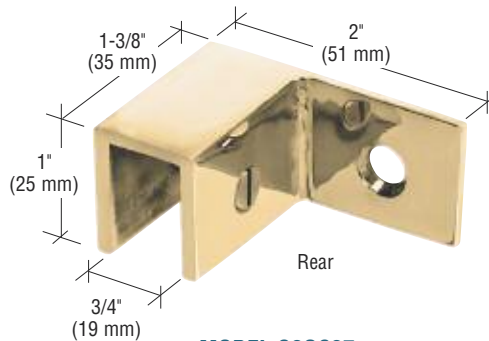


Typical 90 Degree Application

CRL Wall Mount Sleeve-Over Glass Clamps



Front



MODEL SOGC37

Wall Mount Sleeve-Over Glass Clamp (Left Hand Shown)



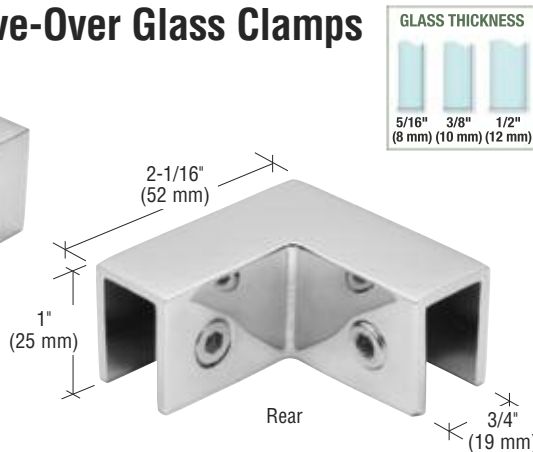
LEFT HAND * CAT. NO.	RIGHT HAND * CAT. NO.	FINISH
SOGC37LCH	SOGC37RCH	Polished Chrome
SOGC37LSC	SOGC37RSC	Satin Chrome (Matte)
SOGC37LBSC	SOGC37RBSC	Brushed Satin Chrome
SOGC37LBN	SOGC37RBN	Brushed Nickel
SOGC37LPN	SOGC37RPN	Polished Nickel
SOGC37LABR	SOGC37RABR	Antique Brushed Nickel
SOGC37LBR	SOGC37RBR	Polished Brass
SOGC37LSB	SOGC37RSB	Satin Brass
SOGC37LORB	SOGC37RORB	Oil Rubbed Bronze

Minimum order: 1 each. All Glass Clamps can be combined for quantity pricing.
* As viewed from outside of shower.

CRL 90 Degree Sleeve-Over Glass Clamps



Front



MODEL SOGC90

90 Degree Sleeve-Over Glass Clamp



CAT. NO.	FINISH
SOGC90CH	Polished Chrome
SOGC90SC	Satin Chrome (Matte)
SOGC90BSC	Brushed Satin Chrome
SOGC90BN	Brushed Nickel
SOGC90PN	Polished Nickel
SOGC90SN	Satin Nickel
SOGC90ABN	Antique Brushed Nickel
SOGC90BR	Polished Brass
SOGC90SB	Satin Brass
SOGC90ABR	Antique Brass
SOGC90ORB	Oil Rubbed Bronze
SOGC90ABRZ	Antique Bronze
SOGC90BBRZ	Brushed Bronze
SOGC90ABCO	Antique Brushed Copper
SOGC90BCO	Brushed Copper
SOGC90GM	Gun Metal
SOGC90GP	Gold Plated
SOGC90W	White

Minimum order: 1 each. All Glass Clamps can be combined for quantity pricing.



C.R. LAURENCE COMPANY

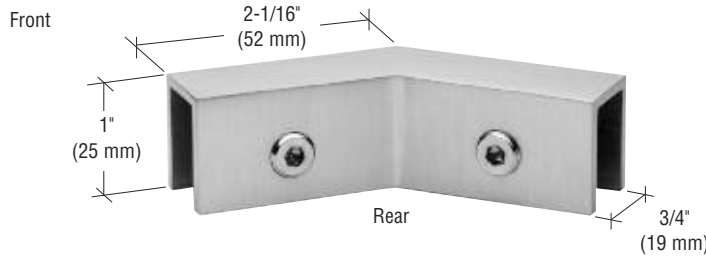
crlaurence.com | usalum.com

294J | crlaurence.ca crlaurence.com.au crlaurence.co.uk crlaurence.de crlaurence.eu

CRL CLAMPS FOR 5/16" TO 1/2" (8 TO 12 MM) GLASS

For Pricing Visit crlaurence.com or Call Us Toll Free at the Phone Numbers Shown on the Back Cover

CRL 135 Degree Sleeve-Over Glass Clamps



MODEL SOGC135
135 Degree Sleeve-Over Glass Clamp



Brass

See the complete range of beautiful shower hardware finishes on page 114J



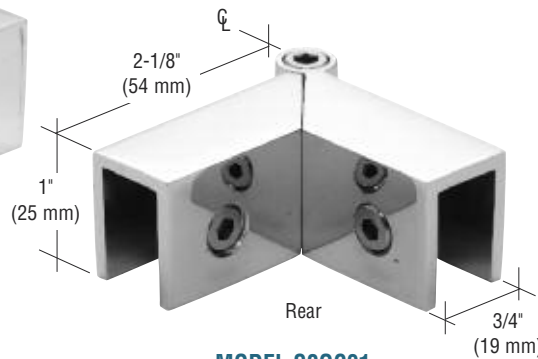
CAT. NO.	FINISH
SOGC135CH	Polished Chrome
SOGC135SC	Satin Chrome (Matte)
SOGC135BSC	Brushed Satin Chrome
SOGC135BN	Brushed Nickel
SOGC135PN	Polished Nickel
SOGC135BR	Polished Brass
SOGC135SB	Satin Brass
SOGC135ABR	Antique Brass
SOGC135ORB	Oil Rubbed Bronze
SOGC135ABRZ	Antique Bronze
SOGC135BRZ	Brushed Bronze
SOGC135ABCO	Antique Brushed Copper
SOGC135GP	Gold Plated
SOGC135W	White

Minimum order: 1 each. All Glass Clamps can be combined for quantity pricing.

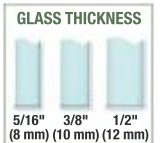
CRL Adjustable 90 to 180 Degree Sleeve-Over Glass Clamps



Front



MODEL SOGC91
Adjustable Sleeve-Over Glass Clamp



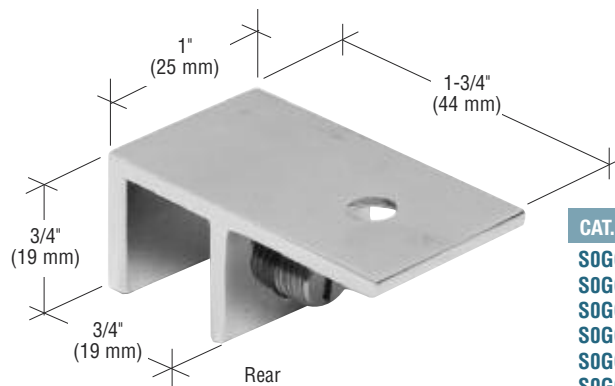
CAT. NO.	FINISH
SOGC91CH	Polished Chrome
SOGC91SC	Satin Chrome (Matte)
SOGC91BSC	Brushed Satin Chrome
SOGC91BN	Brushed Nickel
SOGC91PN	Polished Nickel
SOGC91BR	Polished Brass
SOGC91ORB	Oil Rubbed Bronze
SOGC91GP	Gold Plated

Minimum order: 1 each. All Glass Clamps can be combined for quantity pricing.

CRL Ceiling Mount Sleeve-Over Glass Clamps



Front



MODEL SOGC01
Ceiling Mount Sleeve-Over Glass Clamp



CAT. NO.	FINISH
SOGC01CH	Polished Chrome
SOGC01SC	Satin Chrome (Matte)
SOGC01BSC	Brushed Satin Chrome
SOGC01BN	Brushed Nickel
SOGC01PN	Polished Nickel
SOGC01BR	Polished Brass
SOGC01ORB	Oil Rubbed Bronze
SOGC01ABRZ	Antique Bronze
SOGC01GP	Gold Plated

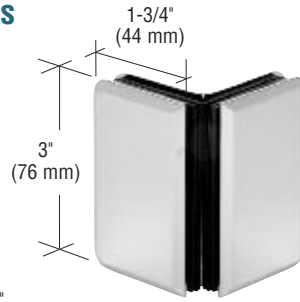
Minimum order: 1 each. All Glass Clamps can be combined for quantity pricing.

CRL CLAMPS FOR 1/4" TO 5/16" (6 TO 8 MM) GLASS

For Pricing Visit crlaurence.com or Call Us Toll Free at the Phone Numbers Shown on the Back Cover

CRL Glass Clamps to Match Hinges

- Wall Mount and 90 Degree Glass-to-Glass Bracket That Match the Configuration of Our Hinge Series



MODEL TR90
90 Degree Glass-to-Glass Clamp



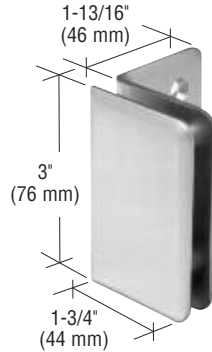
Brass

See the complete range of beautiful shower hardware finishes on page 114J



CRL Trianon Series Clamps

- Edges are Beveled to Match Trianon and Junior Prima Hinges



MODEL TR90S
Wall Bracket

SPECIFICATIONS:

Glass Thickness: 1/4" (6 mm) to 5/16" (8 mm)

Size: 1-3/4" (44 mm) wide x 3" (76 mm) high

Material: Solid Brass

Includes: Gaskets and Mounting Screws

Hole Diameter Required:

Two 5/8" (16 mm) or 3/4" (19 mm) holes per panel

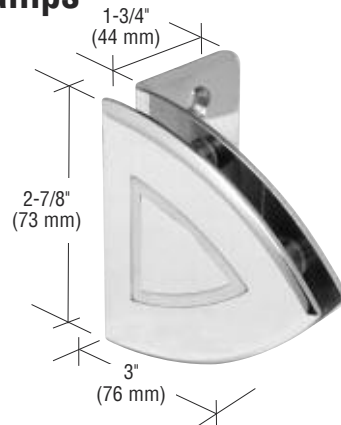


WALL MOUNT CAT. NO.	90 DEGREE GLASS-TO-GLASS CAT. NO.	FINISH
TR90SCH	TR90CH	Polished Chrome
TR90SSC	TR90SC	Satin Chrome (Matte)
TR90SBN	TR90BN	Brushed Nickel
TR90SBR	TR90BR	Polished Brass
TR90SGP	TR90GP	Gold Plated
TR90SW	TR90W	White/Chrome Screws

Minimum order: 1 each. All Glass Clamps can be combined for quantity pricing.

CRL Junior Cathedral Series Clamps

- Match Design of Our Junior Cathedral Hinges



MODEL JRCA90S
Wall Bracket

SPECIFICATIONS:

Glass Thickness: 1/4" (6 mm) to 5/16" (8 mm)

Size: 3" (76 mm) wide x 2-7/8" (73 mm) high

Material: Solid Brass

Includes: Gaskets and Mounting Screws

Hole Diameter Required:

Three 5/8" (16 mm) holes per panel



WALL MOUNT CAT. NO.	FINISH/ACCENT
JRCA90SCH	Polished Chrome/Gold Plated
JRCA90SSC	Satin Chrome (Matte)/Polished Chrome
JRCA90SBR	Polished Brass/Polished Chrome
JRCA90SGP	Gold Plated/Satin Chrome (Matte)
JRCA90SW	White/Chrome

Minimum order: 1 each. All Glass Clamps can be combined for quantity pricing.



C.R. LAURENCE COMPANY

crlaurence.com | usalum.com

ALUMINUM

296J | crlaurence.ca crlaurence.com.au crlaurence.co.uk crlaurence.de crlaurence.eu

CRL CLAMPS FOR 1/4" TO 5/16" (6 TO 8 MM) GLASS

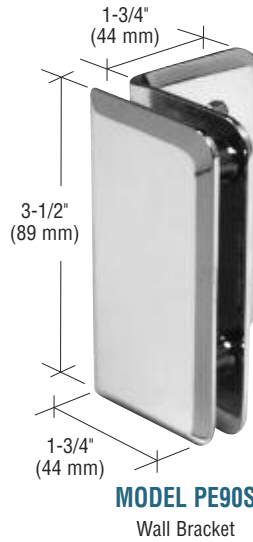
For Pricing Visit crlaurence.com or Call Us Toll Free at the Phone Numbers Shown on the Back Cover

CRL Petite Series Clamps

- Clamps Match Design of Petite Series Hinges

SPECIFICATIONS:

Glass Thickness: 1/4" (6 mm) to 5/16" (8 mm)
Size: 1-3/4" (44 mm) wide x 3-1/2" (89 mm) high
Material: Solid Brass
Includes: Gaskets and Mounting Screws
Hole Diameter Required:
 Two 5/8" (16 mm) holes per panel



WALL MOUNT CAT. NO.	FINISH
PE90SCH	Polished Chrome
PE90SSC	Satin Chrome (Matte)
PE90SBC	Brushed Satin Chrome
PE90SBR	Polished Brass
PE90SGP	Gold Plated
PE90SW	White/Chrome Screws

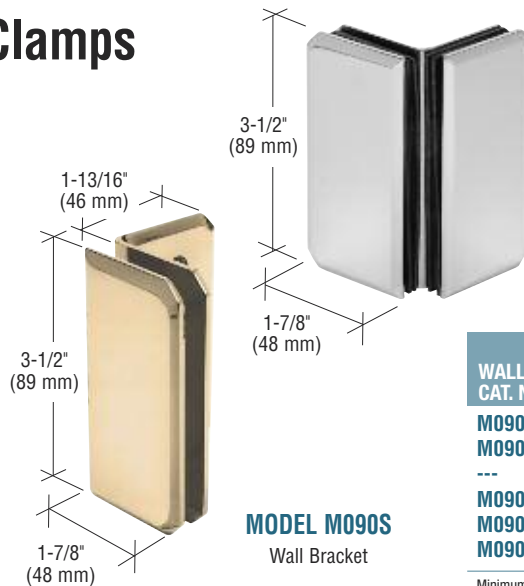
Minimum order: 1 each. All Glass Clamps can be combined for quantity pricing.

CRL Monaco Series Clamps

- Mitered With Cut Corners to Match Configuration of Monaco Hinges

SPECIFICATIONS:

Glass Thickness: 1/4" (6 mm) to 5/16" (8 mm)
Size: 1-7/8" (48 mm) wide x 3-1/2" (89 mm) high
Material: Solid Brass
Includes: Gaskets and Mounting Screw
Hole Diameter Required:
 Two 5/8" (16 mm) or 3/4" (19 mm) holes per panel



MODEL M090
90 Degree Glass-to-Glass Clamp



WALL MOUNT CAT. NO.	90 DEGREE GLASS-TO-GLASS CAT. NO.	FINISH
M090SCH	M0090CH	Polished Chrome
M090SSC	M0090SC	Satin Chrome (Matte)
---	M0090BN	Brushed Nickel
M090SBR	M0090BR	Polished Brass
M090SGP	M0090GP	Gold Plated
M090SW	M0090W	White/Chrome Screws

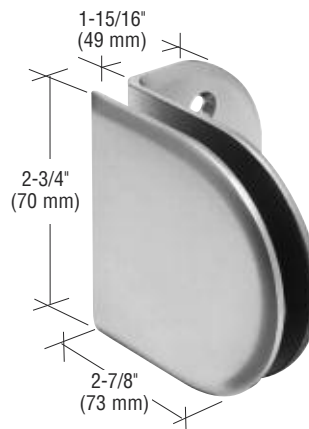
Minimum order: 1 each. All Glass Clamps can be combined for quantity pricing.

CRL Berlin Series Clamps

- Match the Design of Our Berlin Series Hinges

SPECIFICATIONS:

Glass Thickness: 1/4" (6 mm) to 5/16" (8 mm)
Size: 2-7/8" (73 mm) wide x 2-3/4" (70 mm) high
Material: Solid Brass
Includes: Gaskets and Mounting Screws
Hole Diameter Required:
 One 3/4" (19 mm) hole



MODEL BE90S
Wall Bracket



WALL MOUNT CAT. NO.	FINISH
BE90SCH	Polished Chrome
BE90SSC	Satin Chrome (Matte)
BE90SBN	Brushed Nickel
BE90SW	White/Chrome Screws

Minimum order: 1 each. All Glass Clamps can be combined for quantity pricing.

CRL CLAMPS FOR 1/4" TO 5/16" (6 TO 8 MM) GLASS

For Pricing Visit crlaurence.com or Call Us Toll Free at the Phone Numbers Shown on the Back Cover

CRL Monaco Fixed Panel U-Clamps

Monaco Fixed Panel U-Clamps mount directly to the wall, ceiling or floor to secure vertical fixed glass panels. Clearance between the glass and the floor is 5/32" (4 mm) to 3/16" (5 mm). Seal gap with clear silicone.

SPECIFICATIONS:

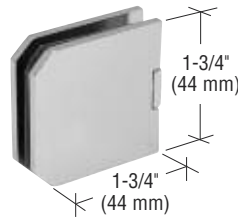
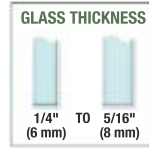
Glass Thickness: 1/4" (6 mm) to 5/16" (8 mm)

Size: 1-3/4" (44 mm) wide x 1-3/4" (44 mm) high

Material: Solid Brass

Includes: Gaskets and Mounting Screw

Hole Diameter Required: 5/8" (16 mm) or 3/4" (19 mm)



MODEL M0638
Fixed Panel U-Clamp



FINISHES:



Most models are stocked in the finishes shown here, others are available on special order.

CAT. NO.	FINISH
M0638CH	Polished Chrome
M0638SC	Satin Chrome (Matte)
M0638BN	Brushed Nickel
M0638BR	Polished Brass
M0638GP	Gold Plated

Minimum order: 1 each. All Glass Clamps can be combined for quantity pricing.

CRL Monaco 90 Degree Glass-to-Glass Clamps

90 Degree Glass Clamp that has two uses: as a 90 Degree Clamp for vertical fixed panels in a glass shower enclosure; as a Bracket for horizontal glass shelves within the enclosure.

SPECIFICATIONS:

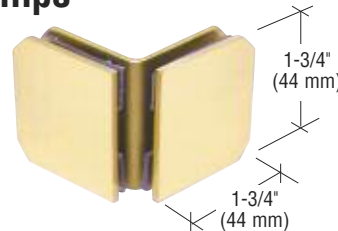
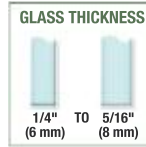
Glass Thickness: 1/4" (6 mm) to 5/16" (8 mm)

Size: 1-3/4" (44 mm) wide x 1-3/4" (44 mm) high (each plate)

Material: Solid Brass

Includes: Gaskets and Wood Screws

Hole Diameter Required: 5/8" (16 mm) or 3/4" (19 mm) each panel



MODEL M0690

90 Degree Glass-to-Glass Clamp

CAT. NO.	FINISH
M0690CH	Polished Chrome
M0690SC	Satin Chrome (Matte)
M0690BN	Brushed Nickel
M0690BR	Polished Brass
M0690GP	Gold Plated

Minimum order: 1 each. All Glass Clamps can be combined for quantity pricing.

CRL Monaco 135 Degree Glass-to-Glass Clamps

These Clamps are designed to join 1/4" (6 mm) or 5/16" (8 mm) thick glass panels that meet at 135 degrees.

SPECIFICATIONS:

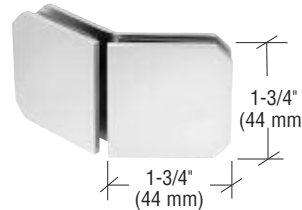
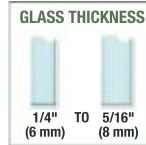
Glass Thickness: 1/4" (6 mm) to 5/16" (8 mm)

Size: 1-3/4" (44 mm) wide x 1-3/4" (44 mm) high (each plate)

Material: Solid Brass

Includes: Gaskets

Hole Diameter Required: 5/8" (16 mm) or 3/4" (19 mm) each panel



MODEL M0635

135 Degree Glass-to-Glass Clamp

CAT. NO.	FINISH
M0635CH	Polished Chrome
M0635SC	Satin Chrome (Matte)
M0635BN	Brushed Nickel
M0635BR	Polished Brass
M0635GP	Gold Plated
M0635W	White/Chrome Screws

Minimum order: 1 each. All Glass Clamps can be combined for quantity pricing.

CRL Monaco 180 Degree Double-Stud Clamps

180 Degree Double-Stud Glass-to-Glass Clamps are used to join together two fixed inline glass panels. Extra stability is achieved by the hole made in each panel to accommodate the clamp's internal studs.

SPECIFICATIONS:

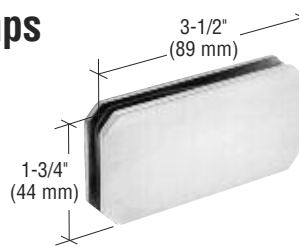
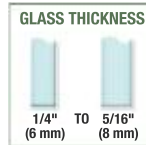
Glass Thickness: 1/4" (6 mm) to 5/16" (8 mm)

Size: 3-1/2" (89 mm) wide x 1-3/4" (44 mm) high

Material: Solid Brass

Includes: Gaskets

Hole Diameter Required: 5/8" (16 mm) or 3/4" (19 mm) each panel



MODEL M0684

180 Degree Glass-to-Glass Clamp

CAT. NO.	FINISH
M0684CH	Polished Chrome
M0684SC	Satin Chrome (Matte)
M0684BN	Brushed Nickel
M0684GP	Gold Plated

Minimum order: 1 each. All Glass Clamps can be combined for quantity pricing.

CRL Monaco 180 Degree Split Face and "Y" Glass Clamps

This dual purpose Clamp can be used to connect glass panels inline, or as a 'Y' Clamp to fasten glass panels flush with the edge of marble or tile walls.

SPECIFICATIONS:

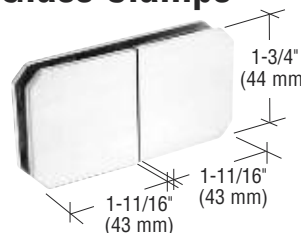
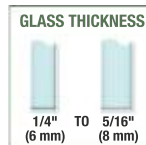
Glass Thickness: 1/4" (6 mm) to 5/16" (8 mm)

Size: 3-1/2" (89 mm) wide x 1-3/4" (44 mm) high

Material: Solid Brass

Includes: Gaskets and Screws for 'Y' Inline Clamp Installation

Hole Diameter Required: 5/8" (16 mm) or 3/4" (19 mm) each panel



MODEL M0682

180 Degree Split Face Clamp

CAT. NO.	FINISH
M0682CH	Polished Chrome
M0682SC	Satin Chrome (Matte)
M0682BR	Polished Brass
M0682GP	Gold Plated
M0682W	White/Chrome Screws

Minimum order: 1 each. All Glass Clamps can be combined for quantity pricing.



C.R. LAURENCE COMPANY

crlaurence.com | usalum.com

298J | crlaurence.ca crlaurence.com.au crlaurence.co.uk crlaurence.de crlaurence.eu

CRL CLAMPS FOR 1/4" (6 MM) GLASS

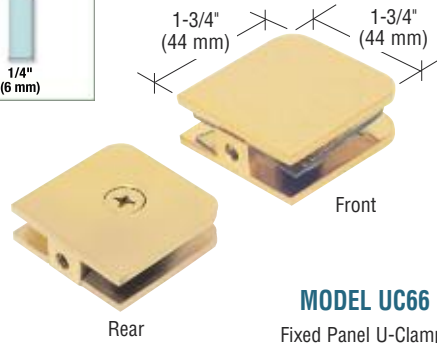
For Pricing Visit crlaurence.com or Call Us Toll Free at the Phone Numbers Shown on the Back Cover

CRL Junior Traditional Fixed Panel U-Clamps

Junior Traditional Fixed Panel U-Clamps mount directly to the wall, ceiling or floor to secure vertical fixed glass panels. Clearance between the glass and the floor is 5/32" (4 mm) to 3/16" (5 mm). Clear silicone can be used to provide a clean, water-tight seal.

SPECIFICATIONS:

Glass Thickness: 1/4" (6 mm)
Size: 1-3/4" (44 mm) wide x 1-3/4" (44 mm) high
Material: Solid Brass
Includes: Mounting Screw and Clear Gaskets
Hole Diameter Required: 5/8" (16 mm) or 3/4" (19 mm)



Brass

See the complete range of beautiful shower hardware finishes on page 114J



CAT. NO.	FINISH
UC66CH	Polished Chrome
UC66SC	Satin Chrome (Matte)
UC66BN	Brushed Nickel
UC66PN	Polished Nickel
UC66BR	Polished Brass
UC66ORB	Oil Rubbed Bronze
UC66ABCO	Antique Brushed Copper
UC66GP	Gold Plated
UC66W	White/Chrome Screw
UC66BL	Black/Chrome Screw

Minimum order: 1 each. All Glass Clamps can be combined for quantity pricing.

CRL Junior Traditional 90 Degree Glass-to-Glass Clamps

A truly versatile 90 Degree Glass Clamp that has two uses: As a 90 Degree Clamp for vertical fixed panels in a glass shower enclosure; as a Bracket for horizontal glass shelves within the enclosure. The traditional 90 Degree Clamp design allows for flush mounting of shelf to wall, or for adjoining panels to meet with a minimal gap.

SPECIFICATIONS:

Glass Thickness: 1/4" (6 mm)
Size: 1-3/4" (44 mm) wide x 1-3/4" (44 mm) high (each plate)
Material: Solid Brass
Includes: Gaskets and Wood Screw for wall mount application
Hole Diameter Required: 5/8" (16 mm) or 3/4" (19 mm) (each panel)



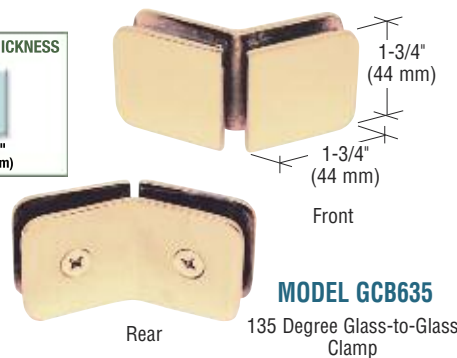
CAT. NO.	FINISH
GCB690CH	Polished Chrome
GCB690SC	Satin Chrome (Matte)
GCB690BN	Brushed Nickel
GCB690BR	Polished Brass
GCB690ORB	Oil Rubbed Bronze
GCB690GP	Gold Plated
GCB690W	White/Chrome Screw
GCB690BL	Black/Chrome Screw

Minimum order: 1 each. All Glass Clamps can be combined for quantity pricing.

CRL Junior Traditional 135 Degree Glass-to-Glass Clamps

SPECIFICATIONS:

Glass Thickness: 1/4" (6 mm)
Size: 1-3/4" (44 mm) wide x 1-3/4" (44 mm) high
Material: Solid Brass
Includes: Gaskets
Hole Diameter Required: 5/8" (16 mm) or 3/4" (19 mm) (each panel)



These Clamps are designed to join 1/4" (6 mm) thick glass panels that meet at 135 degrees.

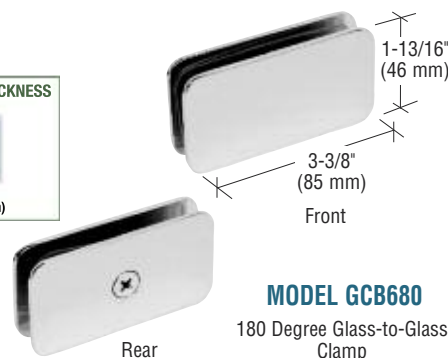
CAT. NO.	FINISH
GCB635CH	Polished Chrome
GCB635SC	Satin Chrome (Matte)
GCB635BN	Brushed Nickel
GCB635PN	Polished Nickel
GCB635BR	Polished Brass
GCB635GP	Gold Plated
GCB635W	White/Chrome Screw

Minimum order: 1 each. All Glass Clamps can be combined for quantity pricing.

CRL Junior Traditional 180 Degree Glass-to-Glass Clamps

SPECIFICATIONS:

Glass Thickness: 1/4" (6 mm)
Size: 3-3/8" (85 mm) wide x 1-13/16" (46 mm) high
Material: Solid Brass
Includes: Gaskets
Hole Diameter Required: 7/16" (11 mm) gap required between two panels, or you can notch the panels around the screw



180 Degree Glass-to-Glass Clamp ideal for 1/4" (6 mm) inline fixed transom or panel installations.

CAT. NO.	FINISH
GCB680CH	Polished Chrome
GCB680SC	Satin Chrome (Matte)
GCB680BN	Brushed Nickel
GCB680BR	Polished Brass
GCB680GP	Gold Plated
GCB680W	White/Chrome Screw

Minimum order: 1 each. All Glass Clamps can be combined for quantity pricing.

CRL CLAMPS FOR 1/4" (6 MM) GLASS

For Pricing Visit crlaurence.com or Call Us Toll Free at the Phone Numbers Shown on the Back Cover

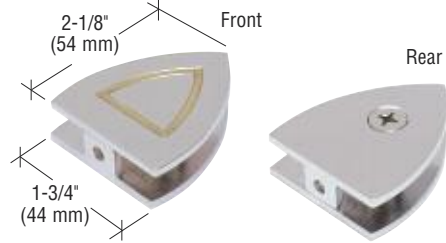
CRL Junior Cathedral Wall Mount Clamps



FINISHES:



Most models are stocked in the finishes shown here, others are available on special order.



MODEL GCB6279
Wall Mount Clamp

SPECIFICATIONS:

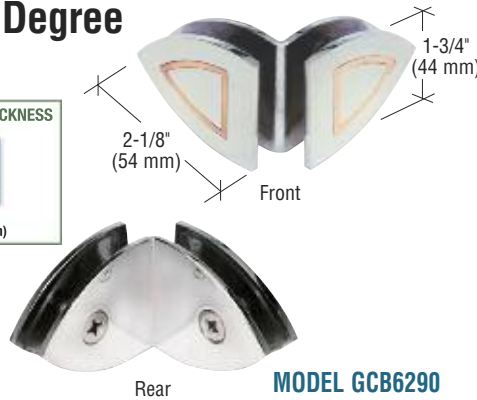
Glass Thickness: 1/4" (6 mm)
Size: 2-1/8" (54 mm) wide x 1-3/4" (44 mm) high
Material: Solid Brass
Includes: Gaskets and Mounting Screw
Hole Diameter Required: 5/8" (16 mm) or 3/4" (19 mm)

Junior Cathedral U-Clamps mount directly to the wall, ceiling or floor to secure vertical fixed glass panels. The Clamps are designed to match two-tone Junior Cathedral Hinges. Clearance between the glass and the floor is 5/32" (4 mm) to 3/16" (5 mm). Seal the gap with clear silicone.

CAT. NO.	FINISH/ACCENT
GCB6279CH	Polished Chrome/Gold Plated
GCB6279SC	Satin Chrome (Matte)/Polished Chrome
GCB6279BR	Polished Brass/Polished Chrome
GCB6279GP	Gold Plated/Satin Chrome (Matte)
GCB6279W	White/Chrome

Minimum order: 1 each. All Glass Clamps can be combined for quantity pricing.

CRL Junior Cathedral 90 Degree Glass-to-Glass Clamps



MODEL GCB6290
90 Degree Glass-to-Glass Clamp

SPECIFICATIONS:

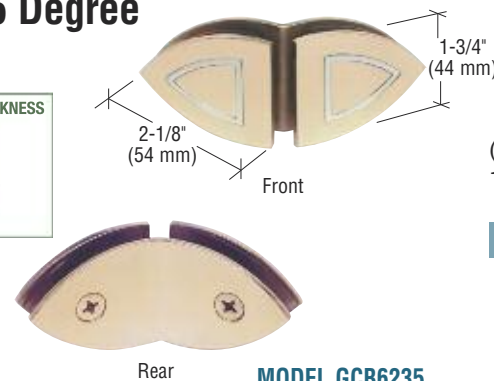
Glass Thickness: 1/4" (6 mm)
Size: 2-1/8" (54 mm) wide x 1-3/4" (44 mm) high each plate
Material: Solid Brass
Includes: Gaskets and Wood Screw for wall mount application
Hole Diameter Required: 5/8" (16 mm) or 3/4" (19 mm) each panel

A truly versatile 90 Degree Glass Clamp that has two uses: As a 90 Degree Clamp for vertical fixed panels in a glass shower enclosure; as a Bracket for horizontal glass shelves within the enclosure. The 90 Degree Glass Clamp design allows for flush mounting of shelf to wall, or for adjoining panels to meet with minimal gap.

CAT. NO.	FINISH/ACCENT
GCB6290CH	Polished Chrome/Gold Plated
GCB6290SC	Satin Chrome (Matte)/Polished Chrome
GCB6290BR	Polished Brass/Polished Chrome
GCB6290GP	Gold Plated/Satin Chrome (Matte)
GCB6290W	White/Chrome

Minimum order: 1 each. All Glass Clamps can be combined for quantity pricing.

CRL Junior Cathedral 135 Degree Glass-to-Glass Clamps



MODEL GCB6235
135 Degree Glass-to-Glass Clamp

SPECIFICATIONS:

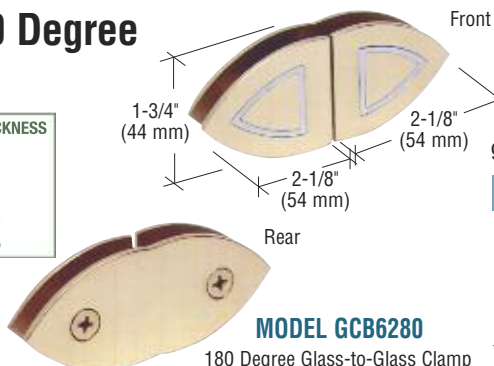
Glass Thickness: 1/4" (6 mm)
Size: 2-1/8" (54 mm) wide x 1-3/4" (44 mm) high each plate
Material: Solid Brass
Includes: Gaskets
Hole Diameter Required: 5/8" (16 mm) or 3/4" (19 mm) each panel

These Clamps are designed to join 1/4" (6 mm) thick glass panels that meet at 135 degrees.

CAT. NO.	FINISH/ACCENT
GCB6235CH	Polished Chrome/Gold Plated
GCB6235SC	Satin Chrome (Matte)/Polished Chrome
GCB6235BR	Polished Brass/Polished Chrome
GCB6235GP	Gold Plated/Satin Chrome (Matte)
GCB6235W	White/Chrome

Minimum order: 1 each. All Glass Clamps can be combined for quantity pricing.

CRL Junior Cathedral 180 Degree Glass-to-Glass Clamps



MODEL GCB6280
180 Degree Glass-to-Glass Clamp

SPECIFICATIONS:

Glass Thickness: 1/4" (6 mm)
Size: 4-5/16" (110 mm) wide x 1-3/4" (44 mm) high
Material: Solid Brass
Includes: Gaskets
Hole Diameter Required: 5/8" (16 mm) or 3/4" (19 mm) each panel

These Clamps are designed to join 1/4" (6 mm) glass panels that meet at 180 degrees.

CAT. NO.	FINISH/ACCENT
GCB6280CH	Polished Chrome/Gold Plated
GCB6280SC	Satin Chrome (Matte)/Polished Chrome
GCB6280BR	Polished Brass/Polished Chrome
GCB6280GP	Gold Plated/Satin Chrome (Matte)
GCB6280W	White/Chrome

Minimum order: 1 each. All Glass Clamps can be combined for quantity pricing.



C.R. LAURENCE COMPANY

crlaurence.com | usalum.com

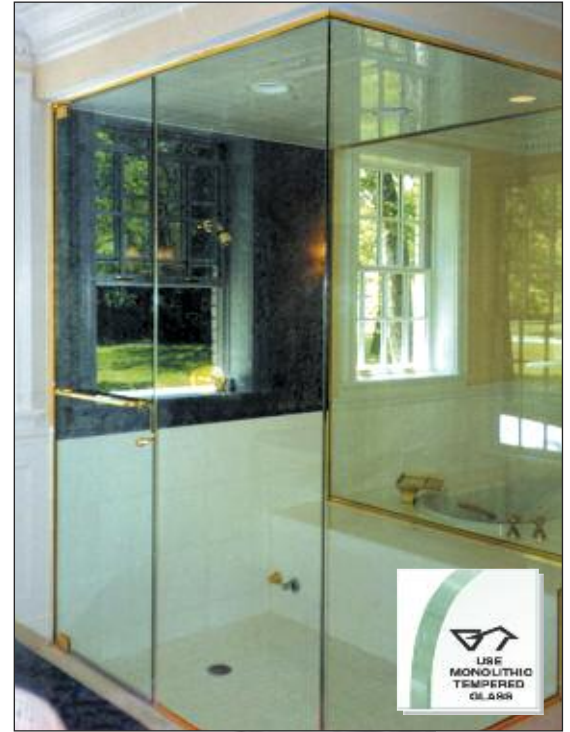
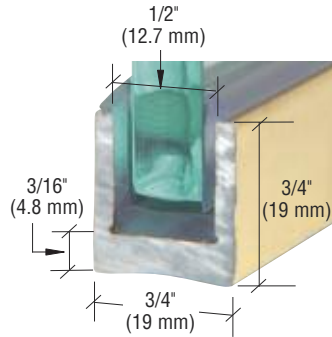
300J | crlaurence.ca crlaurence.com.au crlaurence.co.uk crlaurence.de crlaurence.eu

CRL Dry Glaze U-Channel With Vinyls for 5/16" and 3/8" (8 and 10 mm) Glass

- Clear Vinyls Secure Glass in Aluminum Channel and Eliminate the Need for Messy Silicone
- Recess in Bottom Channel Hides Caulk Line

Dry Glaze U-Channel offers the installer many benefits. It eliminates the need for messy silicone between the glass and metal, dramatically reducing installation time. If the glass is ever scratched or damaged, it can be removed without the need to cut the sealant.

The extruded aluminum channel is wrapped in a protective poly sleeve with two pieces of clear vinyl to secure 5/16" or 3/8" (8 or 10 mm) glass. The Flexible Vinyl goes on the interior of the shower, while the Rigid Leg Vinyl is inserted on the exterior side. Matching finish End Caps are available, and must be ordered separately.



"Flexible" Vinyl for Interior of Shower

"Rigid Leg" Vinyl for Exterior of Shower

Includes: 98" (2.49 m) lengths of Channel, Rigid Clear Vinyl, and Flexible Clear Vinyl (End Caps are Sold Separately)

98" (2.49 M) STOCK LENGTHS DRY GLAZE U-CHANNEL WITH CLEAR VINYL

CAT. NO.	GLASS THICKNESS	FINISH
DUC516BA	5/16" (8 mm)	Brite Anodized
DUC516BN	5/16" (8 mm)	Brushed Nickel
DUC38BA	3/8" (10 mm)	Brite Anodized
DUC38BGA	3/8" (10 mm)	Brite Gold Anodized
DUC38BN	3/8" (10 mm)	Brushed Nickel
DUC38ORB	3/8" (10 mm)	Oil Rubbed Bronze

Minimum order: 1 each. Finishes can be combined for quantity pricing. Packing Charge added to orders of fewer than five combined lengths.

U-CHANNEL END CAPS ONLY

CAT. NO.	FINISH
SDCEC12CH	Brite Anodized
SDCEC12BR	Brite Gold Anodized
SDCEC12BN	Brushed Nickel
SDCEC12ORB	Oil Rubbed Bronze

Minimum order: 10 each. Must be ordered in increments of 10. Finishes can be combined for quantity pricing.

REPLACEMENT VINYL - 98" (2.49 M) LENGTH

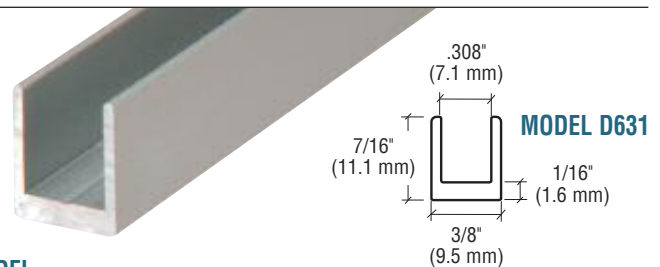
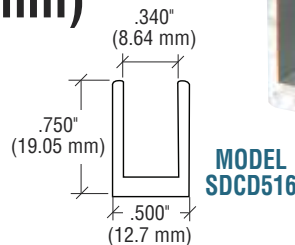
CAT. NO.	GLASS THICKNESS	FINISH
FV8DUC	5/16" (8 mm)	Flexible
RV8DUC	5/16" (8 mm)	Rigid
FV4DUC	3/8" (10 mm)	Flexible
RV4DUC	3/8" (10 mm)	Rigid

Minimum order: 1 each. Packing Charge added to orders of fewer than 10 combined lengths.

CRL Aluminum U-Channel for 1/4" and 5/16" (6 and 8 mm) Glass

- Extremely Versatile Extrusions in Up To Eight Popular Finishes
- Wet Glaze With Clear Silicone

These Aluminum U-Channels are our most versatile extrusions. Use them to secure fixed glass panels in showers or glass partition panels. Glass should be secured with CRL 33SMRC Mildew Resistant Clear Silicone Sealant. Up to eight standard finishes are available.



98" (2.49 M) STOCK LENGTHS

CAT. NO.	GLASS THICKNESS	FINISH
SDCD516BA	5/16" (8 mm)	Brite Anodized
SDCD516BGA	5/16" (8 mm)	Brite Gold Anodized
SDCD516A	5/16" (8 mm)	Satin Anodized
SDCD516BN	5/16" (8 mm)	Brushed Nickel
SDCD516ORB	5/16" (8 mm)	Oil Rubbed Bronze

Minimum order: 1 stock length. Finishes can be combined for quantity pricing. A Packing Charge will be added to orders of fewer than 10 combined lengths.

144" (3.66 M) STOCK LENGTHS

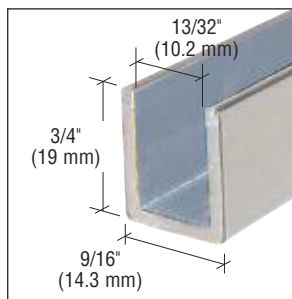
CAT. NO.	GLASS THICKNESS	FINISH
D631BA	1/4" (6 mm)	Brite Anodized
D631BGA	1/4" (6 mm)	Brite Gold Anodized
D631A	1/4" (6 mm)	Satin Anodized
D631GA	1/4" (6 mm)	Satin Gold Anodized
D631BN	1/4" (6 mm)	Brushed Nickel
D631ORB	1/4" (6 mm)	Oil Rubbed Bronze
D631DU	1/4" (6 mm)	Dark Bronze Anodized
D631BL	1/4" (6 mm)	Black

Minimum order: 1 stock length. Finishes can be combined for quantity pricing. Must ship via common carrier unless cut for UPS. A Packing Charge will be added to orders of fewer than 10 combined lengths.

CRL Fixed Panel Deep U-Channel for 3/8" and 1/2" (10 and 12 mm) Glass

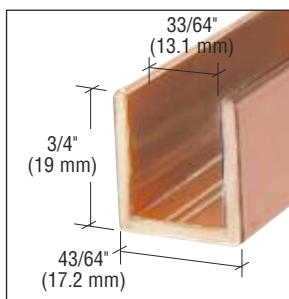
- Deep Pocket Does Excellent Job of Securing Fixed Panels of Glass
- May Be Used Alone or With Regular Depth U-Channel
- Wet Glazed With Clear Silicone to Secure Glass
- Popular 98" (2.49 m) or 144" (3.66 m) Aluminum Stock Lengths
- End Caps Offered to Conceal Ends of Channel

Deep U-Channel is for securing fixed panels of glass to the wall, ceiling or floor. Widths suitable for 3/8" and 1/2" (10 and 12 mm) thick glass are available, and are individually wrapped to protect the finish. The 3/4" (19 mm) tall profile Deep U-Channel can be used also as the top channel in installations where the glass must be inserted into the top, then lowered into the Regular U-Channel used at the bottom of the enclosure.



MODEL SDCD38

For 3/8" (10 mm) Glass



MODEL SDCD12

For 1/2" (12 mm) Glass



98" (2.49 M) STOCK LENGTHS FOR 3/8" (10 MM) GLASS

CAT. NO.	FINISH
SDCD38BA	Brite Anodized
SDCD38A	Satin Anodized
SDCD38AB	Brushed Anodized
SDCD38BN	Brushed Nickel
SDCD38PN	Polished Nickel
SDCD38SN	Satin Nickel
SDCD38ABN	Antique Brushed Nickel
SDCD38BGA	Brite Gold Anodized
SDCD38SB	Satin Brass
SDCD38ABRS	Antique Brass
SDCD38ORB	Oil Rubbed Bronze
SDCD38BRZ	Brushed Bronze
SDCD38ABC0	Antique Brushed Copper
SDCD38PC0	Polished Copper
SDCD38GM	Gun Metal
SDCD38W	White
SDCD38BL	Black

98" (2.49 M) STOCK LENGTHS FOR 1/2" (12 MM) GLASS

CAT. NO.	FINISH
SDCD12BA	Brite Anodized
SDCD12A	Satin Anodized
SDCD12AB	Brushed Anodized
SDCD12BN	Brushed Nickel
SDCD12PN	Polished Nickel
SDCD12SN	Satin Nickel
SDCD12ABN	Antique Brushed Nickel
SDCD12BGA	Brite Gold Anodized
SDCD12SB	Satin Brass
SDCD12ABRS	Antique Brass
SDCD12ORB	Oil Rubbed Bronze
SDCD12BRZ	Brushed Bronze
SDCD12ABC0	Antique Brushed Copper
SDCD12PC0	Polished Copper
SDCD12GM	Gun Metal
SDCD12W	White
SDCD12BL	Black

144" (3.66 M) STOCK LENGTHS FOR 3/8" (10 MM) GLASS

CAT. NO.	FINISH
SDCD3812BA	Brite Anodized
SDCD3812A	Satin Anodized
SDCD3812BN	Brushed Nickel
SDCD3812BGA	Brite Gold Anodized

144" (3.66 M) STOCK LENGTHS FOR 1/2" (12 MM) GLASS

CAT. NO.	FINISH
SDCD1212BA	Brite Anodized
SDCD1212A	Satin Anodized
SDCD1212BN	Brushed Nickel
SDCD1212BGA	Brite Gold Anodized

Minimum order: 1 each. All finishes and shapes can be combined for quantity pricing. A Packing Charge will be added to orders of fewer than five combined lengths. Stock lengths longer than 98" (2.49 m) must ship common carrier, unless you specify we cut them for U.P.S. A Cutting Charge will apply.

CRL U-Channel End Caps

CRL End Caps attractively finish off fixed panels glazed in U-Channel. Caps are available for 3/8" and 1/2" (10 and 12 mm) Deep U-Channel, and 3/8" (10 mm) Dry Glaze Channel (see page 301J). Caps are easily applied with a dab of silicone sealant. Other colors available on special order.



CAT. NO.	FINISH	FITS U-CHANNEL NOS.
SDCEC38BR	Brass	SDCD38BGA/SDCD3812BGA
SDCEC38CH	Chrome	SDCD38BA/SDCD3812BA
SDCEC38BN	Brushed Nickel	SDCD38BN/SDCD3812BN
SDCEC38ORB	Oil Rubbed Bronze	SDCD38ORB
SDCEC12BR	Brass	SDCD12BGA/SDCD1212BGA
SDCEC12CH	Chrome	SDCD12BA/SDCD1212BA
SDCEC12BN	Brushed Nickel	SDCD12BN/SDCD1212BN
SDCEC12ORB	Oil Rubbed Bronze	SDCD12ORB/DUC38ORB

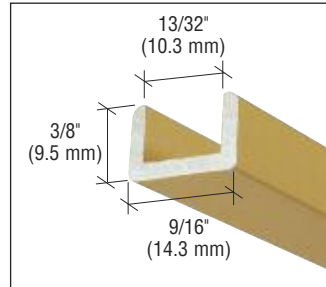
Minimum order: 10 each. Must be ordered in increments of 10.

CRL Fixed Panel Regular U-Channel for 3/8" and 1/2" (10 and 12 mm) Glass

- Wet Glazed With Clear Silicone to Secure Fixed Panels of Glass
- Lower Profile Allows Maximum Glass Exposure
- Popular 98" (2.49 m) Aluminum Stock Lengths in Three Stock Finishes

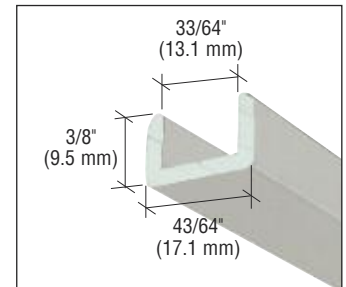
Fixed Panel Regular U-Channel is used to secure fixed panels of glass in frameless shower enclosures. The 3/8" (9.5 mm) lower profile height of the channel allows maximum glass exposure for a pleasingly aesthetic appearance.

The Regular U-Channel is most commonly used on the bottom and sides of the enclosure, while the Deep U-Channel (see page 302J) is commonly used on top for maximum coverage. Cat. No. 33SMRC Mildew Resistant Clear Silicone is used to secure glass in the channel. Three stock finishes are available.



MODEL SDCR38

For 3/8" (10 mm) Glass



MODEL SDCR12

For 1/2" (12 mm) Glass

98" (2.49 M) STOCK LENGTHS

CAT. NO.	GLASS THICKNESS	FINISH
SDCR38BA	3/8" (10 mm)	Brite Anodized
SDCR38BGA	3/8" (10 mm)	Brite Gold Anodized
SDCR38BN	3/8" (10 mm)	Brushed Nickel
SDCR12BA	1/2" (12 mm)	Brite Anodized
SDCR12BGA	1/2" (12 mm)	Brite Gold Anodized
SDCR12BN	1/2" (12 mm)	Brushed Nickel

Minimum order: 1 each. All finishes and shapes can be combined for quantity pricing. A Packing Charge will be added to orders of fewer than five combined lengths.

CRL Phillips Head Stainless Steel Screws

- Stainless Steel to Resist Corrosion
- #8 x 1-1/2" (38 mm) Size
- 10 Screws Per Pack
- Perfect for U-Channels

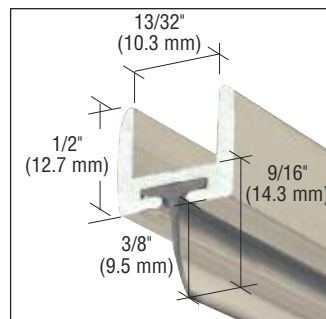
Use CRL Stainless Steel Installation Screws for a trouble-free installation of shower door extrusions. Minimum order is one pack.



CAT. NO. P815SS

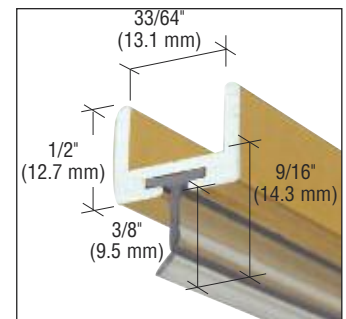
CRL Shower Door U-Channel With Wipe for 3/8" and 1/2" (10 and 12 mm) Glass

- Aluminum Channel With Built-In Vinyl Wipe Fits Onto Bottom of Shower Door
- Maintains Continuous Metal Sightline When Used on Door Next to Fixed Panels With Deep U-Channel



MODEL SDW38

For 3/8" (10 mm) Glass



MODEL SDW12

For 1/2" (12 mm) Glass

98" (2.49 M) STOCK LENGTHS

CAT. NO.	GLASS THICKNESS	FINISH
SDW38BA	3/8" (10 mm)	Brite Anodized
SDW38BGA	3/8" (10 mm)	Brite Gold Anodized
SDW38BN	3/8" (10 mm)	Brushed Nickel
SDW38SC	3/8" (10 mm)	Satin Chrome
SDW12BA	1/2" (12 mm)	Brite Anodized
SDW12BGA	1/2" (12 mm)	Brite Gold Anodized
SDW12BN	1/2" (12 mm)	Brushed Nickel

Minimum order: 1 each. All finishes and shapes can be combined for quantity pricing. A Packing Charge will be added to orders of fewer than five combined lengths.

CRL DELUXE HEADER KITS

For Pricing Visit crlaurence.com or Call Us Toll Free at the Phone Numbers Shown on the Back Cover

CRL Deluxe Header Kit for 5/16", 3/8", and 1/2" (8, 10, and 12 mm) Glass

- Acts as a Decorative Crown Over Shower Enclosure to Secure Fixed Panels of Glass Not Going All the Way to the Ceiling
- Available in Three Standard Lengths
- Custom Finishes on Special Order
- Includes Snap-In Filler for Door Pocket, Wall Mounting Brackets, and Appropriate Vinyl for Snug Fit of Glass

Our Deluxe Header Kits will provide additional support and a level of safety while securing fixed panels of glass not reaching the ceiling. Deluxe Header Kits are designed to allow installers to do "in-house" fabrication by being able to cut the Header Extrusion to size and by using a selection of component parts.

Sold in 66" (1.67 m), 98" (2.49 m), and 144" (3.66 m) stock lengths, the Deluxe Header Extrusion has only a 1-1/4" (31.8 mm) tall profile to minimize metal exposure and maximize glass exposure while maintaining safety and security. Header is constructed of Aluminum Alloy. A choice of profiles is available. Our popular "round on one side and flat on the other side" profile has been joined by a new "flat on both sides" profile.

Certain installations will require the use of additional components: Adapter Blocks used with Top and Bottom Pivot Hinges; Metal Corners used for various angled installations; Blank Wall Mounting Bracket for situations where the Header does not meet the wall at 90 degrees are all sold separately (see pages 306J-307J).

NOTE: See page 309J for Junior Header Kits used with 1/4" (6 mm) glass.

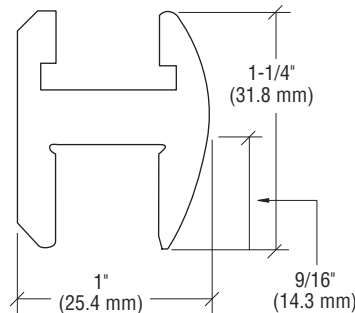
- Choice of Profiles: Round on One Side and Flat on the Other, or Flat on Both Sides of Header



- Deluxe Headers Will Work Perfectly With Our Prima Series Pivot Hinges (See Pages 117J-119J)



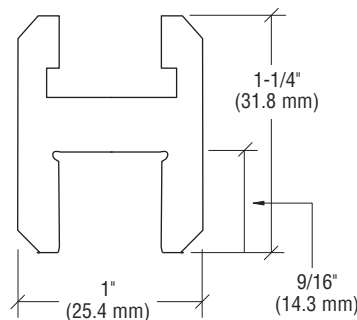
SDH Series



Popular Round/Flat Profile Deluxe Header Extrusion



SQH Series



New Flat/Flat Profile Deluxe Header Extrusion



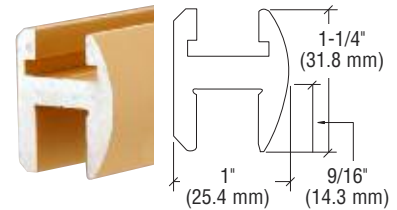
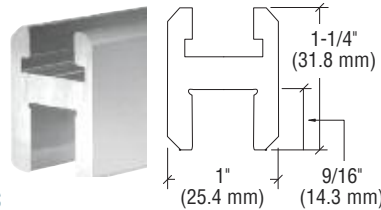
CRL Deluxe Header Kit Installation Instructions can be obtained by referring to our SDT21 Frameless Shower Door Guide, or by contacting our Shower Technical Sales Department at Ext. 7740.

CRL Deluxe Header Kit for 5/16", 3/8", and 1/2" (8, 10, and 12 mm) Glass

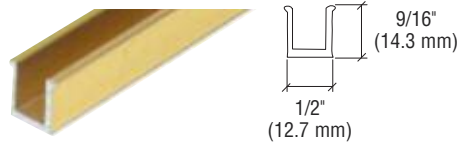


Each Deluxe Header Kit Contains:

- One 66" (1.67 m), 98" (2.49 m) or 144" (3.66 m) Piece of Header Extrusion
- One 36" (914 mm) Piece of Snap-In Filler for Door Pocket, Simply Trim to Fit
- Pack of Two BWB2 Brass Wall Mounting Brackets
- Clear Vinyl for 5/16" (8 mm) and 3/8" (10 mm) Glass



NOTE: If choosing to use this Header Kit with 1/4" (6 mm) glass, Cat. No. HV140 Vinyl may be ordered separately (see page 307J). Vinyl not required for 1/2" (12 mm) glass



Snap-In Filler Insert (Fits in Header Above Door for Even Sightline)
See page 307J



Brass Wall Mounting Brackets Included in Kit. May Be Ordered Separately. (Two Per Pack)
See page 307J



Replacement Clear Vinyl
See page 307J

SQH Series
New Flat/Flat Profile
Deluxe Header Extrusion

SDH Series
Popular Round/Flat Profile
Deluxe Header Extrusion

Since Kits Come Complete, Ordering is as Simple as Specifying

- Shape of Header Extrusion (Flat/Flat or Round/Flat)
- Length of Extrusion 66" (1.67 m), 98" (2.49 m), or 144" (3.66 m)
- Extrusion Finish (Finishes Not Shown Below May Be Available on Special Order)

Ordering assistance is available at (800) 421-6144 in the U.S., (877) 421-6144 from Canada, or (323) 588-1281 International. Ask for CRL Shower Technical Sales at Ext. 7740. You can also reach us by e-mail from the crlaurence.com home page. Click on Contact Us, and then click on Technical Sales.



FLAT/FLAT PROFILE 98" (2.49 m) CAT. NO.		ROUND/FLAT PROFILE 98" (2.49 m) CAT. NO.		ROUND/FLAT PROFILE 66" (1.67 m) CAT. NO.		ROUND/FLAT PROFILE 144" (3.66 m) CAT. NO.	
FINISH							
SQH980BA	Brite Anodized	SDH980BA		SDH660BA		SDH144BA	
SQH980A	Satin Anodized	SDH980A		---		---	
---	Brushed Anodized	SDH980AB		---		---	
SQH980BN	Brushed Nickel	SDH980BN		SDH660BN		SDH144BN	
---	Polished Nickel	SDH980PN		---		---	
---	Satin Nickel	SDH980SN		---		---	
---	Antique Brushed Nickel	SDH980ABN		---		---	
SQH980BGA	Brite Gold Anodized	SDH980BGA		SDH660BGA		SDH144BGA	
---	Satin Brass	SDH980SB		---		---	
---	Antique Brass	SDH980ABRS		---		---	
SQH9800RB	Oil Rubbed Bronze	SDH9800RB		SDH6600RB		SDH1440RB	
---	Brushed Bronze	SDH980BBRZ		---		---	
---	Antique Brushed Copper	SDH980ABCO		---		---	
---	Polished Copper	SDH980PCO		---		---	
---	White	SDH980W		SDH660W		---	
---	Black	SDH980BL		SDH660BL		---	
---	Gun Metal	SDH980GM		SDH660GM		---	

Minimum order: 1 each. Finishes and lengths can be combined for quantity pricing.

CRL Deluxe Header Kit Installation Instructions can be obtained by referring to our SDT21 Frameless Shower Door Guide, or by contacting our Shower Technical Sales Department at Ext. 7740.

CRL Deluxe Header Kit Accessories

- Adapter Blocks Required When Using Deluxe Header Kit With Top and Bottom Pivot Hinges
- For Use Only With Deluxe Header Kits Shown on Pages 304J-305J



Complete installation instructions are available in our SDT21 Frameless Shower Door Guide, or by contacting our Shower Technical Sales Department.

CRL Adapter Block for Prima, Cardiff, Rondo, and Shell Pivot Hinges



- Purpose: Adapts Top Pivot Hinge to Deluxe Header

This CRL Adapter Block is commonly used with the Regular Prima Series (not Junior or Senior Series), Cardiff, Shell, and Rondo Series Hinges. The Adapter Block allows the Hinge to be mounted directly into the Shower Header Assembly, and can be adjusted sideways to any position required. The Adapter Block has a clearance notch which allows it to fit under the wall bracket when the Hinge is mounted close to a wall. A drilled 3/16" (5 mm) hole in the Header is required for installation, and the Hinge base plate must be removed to mount the Hinge to the Header. Each Adapter Block is individually packed with a screw.

CAT. NO.	FOR USE WITH HEADER FINISHES
HAB01BA	Brite Anodized, Polished Nickel
HAB01SC	Satin Anodized
HAB01BSC	Brushed Anodized
HAB01BN	Brushed Nickel
HAB01SN	Satin Nickel
HAB01BGA	Brite Gold Anodized, Brushed Bronze, Satin Brass
HAB01ABR	Antique Brass
HAB01ORB	Oil Rubbed Bronze
HAB01ABC0	Antique Brushed Copper, Polished Copper
HAB01BL	Antique Brushed Nickel, Gun Metal, Black
HAB01W	White

Minimum order: 1 each. Finishes can be combined for quantity pricing. Adapter Block is visible only when shower door is open.

CRL Adapter Block for Senior Prima and Senior Cardiff Hinges



- Purpose: Adapts Top Pivot Hinge to Deluxe Header

The CRL Senior Adapter Block is used with our Senior Prima and Senior Cardiff Hinges. The Senior Adapter Block allows the Hinge to be mounted directly into the Deluxe Header Assembly, and can be slid sideways to any position desired. The Senior Adapter Block has a clearance notch, which allows it to fit under the wall bracket when the Hinge is mounted close to the wall. A drilled 1/4" (6.3 mm) hole in the Header is required for installation, and the base plate of the top hinge must be removed to mount the Hinge to the Header. The Senior Adapter Block comes with a pivot attached. The factory-installed Pivot Pin must be removed from the Hinge, and the Pivot Pin attached to the Senior Adapter Block is then installed into the Hinge. Each Senior Adapter Block is individually packed with a screw.

CAT. NO.	FOR USE WITH HEADER FINISHES
SRHAB01BA	Brite Anodized, Polished Nickel
SRHAB01SC	Satin Anodized, Brushed Anodized
SRHAB01BN	Satin Nickel, Brushed Nickel
SRHAB01BGA	Brite Gold Anodized, Brushed Bronze, Satin Brass
SRHAB01ORB	Oil Rubbed Bronze
SRHAB01W	White
SRHAB01BL	Gun Metal, Polished Copper, Antique Brushed Copper, Antique Brushed Nickel, Antique Brass, Black

Minimum order: 1 each. Finishes can be combined for quantity pricing. Adapter Block is visible only when shower door is open.



CRL Header Corners for Angled Enclosures



Aluminum or Brass constructed Header Corners connect and secure header pieces meeting at various angles. The appropriately angled Corner slides neatly into the "T" slot in the top of the Header, and is visible from a top view only, thus concealing the appearance from normal bathroom viewing areas. We offer fixed 90 and 135 Degree Corners, along with Adjustable Corners for non-standard angles.

ALUMINUM CAT. NO.	BRASS CAT. NO.	ANGLE
CD390	BHC90	90 Degree
CD395	BHC135	135 Degree
CD373	BHC373	Adjustable

Minimum order: 1 each. Can be combined for quantity pricing.

CRL Wall Mounting Brackets for Use With Deluxe Header



Aluminum or Brass constructed Wall Brackets connect the Header to the wall surface. Deluxe Brass constructed Wall Brackets (Cat. No. BWB2) are included in every Header Kit. Brackets come two per pack with screws.

NOTE: If the Header does not meet the wall at a 90 degree angle, a Blank Wall Mounting Bracket is offered for field fabrication (see below).

CAT. NO.	MATERIAL
SHB100	Aluminum
BWB2	Brass

Minimum order: 1 pack. Can be combined for quantity pricing.

CRL Replacement Clear Vinyl for Deluxe Header

CRL offers Replacement Vinyl if you want to keep extra on hand. Appropriate lengths of Vinyl for 5/16" (8 mm) and 3/8" (10 mm) glass are included in each Deluxe Header Kit. HV140 Vinyl is only required if using Deluxe Header Kit with 1/4" (6 mm) glass. Vinyl for 1/2" (12 mm) glass is not required, as the fit is already tight enough.



CAT. NO.	FOR GLASS THICKNESS
HV380	3/8" (10 mm)
HV516	5/16" (8 mm)
HV140	1/4" (6 mm)

Minimum order: 8 feet. Sold only in eight foot (2.49 m) increments.

CRL Blank Wall Mounting Bracket for Use With Deluxe Header

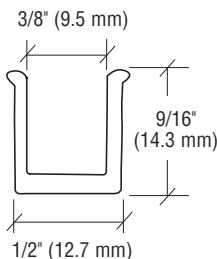
Our Blank Wall Mounting Bracket was designed to work where the Header does not meet the wall at a typical 90 degree angle, and standard Wall Mounting Brackets will not work. Make this Blank Wall Mounting Bracket any angle by identifying the angle needed in the field and fabricating the Bracket accordingly.



CAT. NO.	DESCRIPTION
SHB225	Blank Wall Mounting Bracket

Minimum order: 1 each.

CRL Replacement Snap-In-Filler for Deluxe Header



A 36" (914 mm) piece of Snap-in-Filler is provided with each Deluxe Header Kit, and is also available for replacement in both 36" (914 mm) and 72" (1829 mm) lengths in most finishes. Snap-in-Filler puts the finishing touch on the installation of the Deluxe Header. By simply press fitting the Filler into the Header directly above the door pocket, you create an even sightline of metal, and fill what would have been an unattractive Header pocket.

36" (914 MM) SIZE CAT. NO.	72" (1829 MM) SIZE CAT. NO.	FINISH
S1F360BAEXT	S1F720BAEXT	Brite Anodized
S1F360AEXT	S1F720AEXT	Satin Anodized (Matte)
S1F360ABEXT	S1F720ABEXT	Brushed Anodized
S1F360BEXT	S1F720BEXT	Brushed Nickel
S1F360BNEXT	S1F720BNEXT	Polished Nickel
S1F360PNEXT	S1F720PNEXT	Satin Nickel
S1F360SNEXT	S1F720SNEXT	Antique Brushed Nickel
S1F360ABNEXT	----	Brite Gold Anodized
S1F360BGAEXT	S1F720BGAEXT	Satin Brass
S1F360SBEXT	S1F720SBEXT	Antique Brass
S1F360ABRSEXT	----	Oil Rubbed Bronze
S1F360ORBEXT	S1F720ORBEXT	Brushed Bronze
S1F360BRZEXT	S1F720BRZEXT	Antique Brushed Copper
S1F360ABC0EXT	----	Polished Copper
S1F360PC0EXT	----	Gun Metal
S1F360GMEXT	----	White
S1F360WEXT	S1F720WEXT	Black
S1F360BLEXT	S1F720BLEXT	

Minimum order: 1 each. Can be combined for quantity pricing.

CRL EZ-Adjust Header Kit for 5/16", 3/8", and 1/2" (8, 10, and 12 mm) Glass



new



- Secures Shower Enclosure Not Going to Ceiling
- Allows Horizontal (Side-to-Side) Adjustment of Hinge After Installation
- No Hole Drilling Required Through Header for Adaptor, if Using Prima Hinge Model PPH06 or Senior Prima Hinge Model SRPPH06
- Constructed of Heavy Aluminum Alloy
- Clear Vinyl Included for 5/16" and 3/8" (8 and 10 mm) Glass

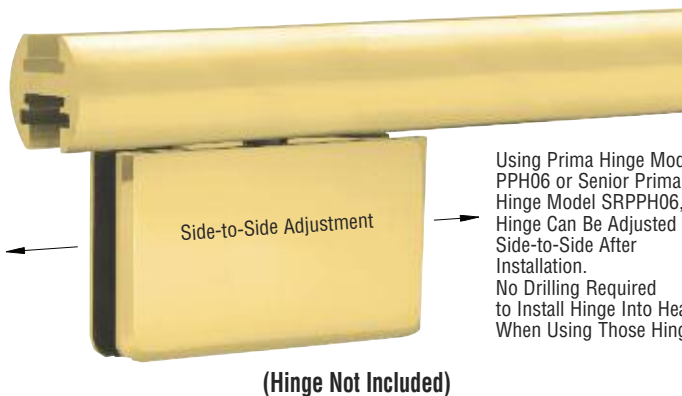
The new EZ-Adjust Shower Door Header Kit provides a safe and beautiful frameless shower installation by securing enclosures that do not reach the ceiling. Acting as a "crown" over the top of the glass, the EZ-Adjust Shower Door Header Kit is bracketed to each wall. The EZ-Adjust System allows adjustability after installation in that the hinge (PPH06 and SRPPH06 only) can be moved left and right as desired. No drilling through the Header is required for an Adaptor Block if using Prima Hinge Model PPH06 or Senior Prima Hinge Model SRPPH06, due to a built-in adaptation to the hinges (see pages 120J and 126J). Constructed of heavy aluminum alloy, the EZ-Adjust Header Kit is stocked in up to eight popular finishes. A choice of 98" and 144" (2.49 and 3.66 m) stock lengths allow the user to cut as desired. A Snap-in Filler Insert for the door pocket,

along with Wall Mounting Brackets and Clear Glazing Vinyl round out the Kit. Other accessories that may be ordered separately are shown on page 307J.

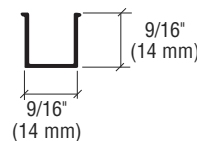
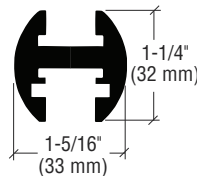
IMPORTANT NOTE: Prima Hinge Model PPH06 and Senior Prima Hinge Model SRPPH06 can be used only with the EZ-Adjust Header System, due to a built-in adaptation to the hinges (see pages 120J and 126J). No drilling required in Header when using those hinges. If using other Top Mount Pivot Hinges with the EZ-Adjust Header System, an Adaptor Block must be ordered from page 306J, and drilling will be required through the Header to accommodate the Adaptor Block. Standard models or SRPPH01 are used for the bottom hinge.

EACH EZ-Adjust HEADER KIT CONTAINS:

- 1 - 98" (2.49 m) or 144" (3.66 m) Header Length
- 1 - 36" (914 mm) Snap-In Filler Insert for Door Pocket
- 1 - Deluxe Wall Mount Bracket Kit (Two Brackets)
- 8 Feet (2.44 m) of 5/16" (8 mm) and 3/8" (10 mm) Clear Vinyl



Using Prima Hinge Model PPH06 or Senior Prima Hinge Model SRPPH06, Hinge Can Be Adjusted Side-to-Side After Installation. No Drilling Required to Install Hinge Into Header When Using Those Hinges.



Deluxe Wall Mount Brackets (2) Per Pack

NOTE: Glazing Vinyl Required When Using 5/16" (8 mm) and 3/8" (10 mm) Glass in EZ-Adjust Header System. No vinyl required for 1/2" (12 mm) Glass

98" (2.49 M) KIT CAT. NO.	144" (3.65 M) KIT CAT. NO.	FINISH
EHK98BA	EHK144BA	Brite Anodized
EHK98BGA	EHK144BGA	Brite Gold Anodized
EHK98A	---	Satin Anodized
EHK98AB	---	Brushed Anodized
EHK98BN	EHK144BN	Brushed Nickel
EHK98ORB	---	Oil Rubbed Bronze
EHK98SB	---	Satin Brass
EHK98W	---	White

Minimum order: 1 each. Finishes and lengths can be combined for quantity pricing.

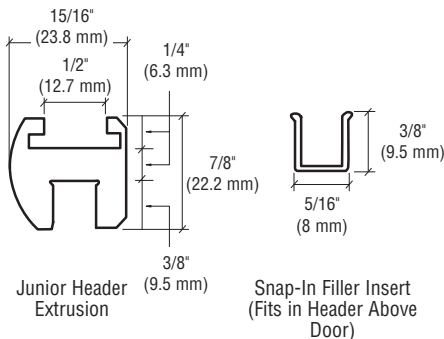
CRL JUNIOR HEADER KIT AND THRESHOLDS

For Pricing Visit crlaurence.com or Call Us Toll Free at the Phone Numbers Shown on the Back Cover

CRL Junior Header Kit for 1/4" (6 mm) Glass

- Secures Shower Enclosures Not Going All the Way to the Ceiling
- Dual Profile Allows User Choice of Soft Rounded Side or Flat Side
- 98" (2.49 m) Lengths in Your Choice of Five Popular Finishes

The Junior Header Kit for 1/4" (6 mm) thick glass provides support to shower enclosures not going all the way to the ceiling. Installers can fabricate in-house using the components provided. The Kits contain all items needed for installation, except the JRHAB01 Junior Adapter Block, which must be purchased separately. The Junior Header is constructed of Aluminum Alloy.



Kit Contents:



Header Vinyl Snap-In Filler

EACH JUNIOR HEADER KIT INCLUDES:

- 98" (2.49 m) Piece of Header Extrusion
- 36" (914 mm) Piece of Snap-In Filler for Door Pocket
- Vinyl for 1/4" (6 mm) Thick Glass
- Pack of Two Wall Mounting Brackets
- Six Corners (Two Adjustable, Two Fixed 90 Degree, and Two Fixed 135 Degree)
- 3 mm Allen Wrench
- 12 each 8 x 3/8" Pan Head Phillips Sheet Metal Screws



CAT. NO. CD395
135 Degree Corner
Two Each

CAT. NO. CD373
Adjustable Corner
Two Each



MODEL BWB2
Wall Mount Bracket
Two Per Pack



CAT. NO. CD390
90 Degree Corner
Two Each

The Junior Header Kit is adaptable to Junior Prima Hinges if using the Kit with Top and Bottom Mount Pivot Hinges. See the Junior Adapter Block below.

Junior Adapter Block

- Junior Adapter Block Required for Use With Junior Prima Hinge Only (Sold Separately)



CAT. NO. P281
Replacement Vinyl
98" (2.49 m) Length



98" (2.49 M) JUNIOR HEADER KITS

CAT. NO.	FINISH
HEADER06CH	Brite Anodized
HEADER06BR	Brite Gold Anodized
HEADER06BN	Brushed Nickel
HEADER06SC	Satin Anodized
HEADER06W	White

Minimum order: 1 each. Finishes can be combined for quantity pricing.

JUNIOR ADAPTER BLOCKS

CAT. NO.	FINISH
JRHAB01BA	Brite Anodized
JRHAB01BGA	Brite Gold Anodized
JRHAB01BN	Brushed Nickel
JRHAB01SC	Satin Anodized
JRHAB01W	White

Minimum order: 1 each. Finishes can be combined for quantity pricing.

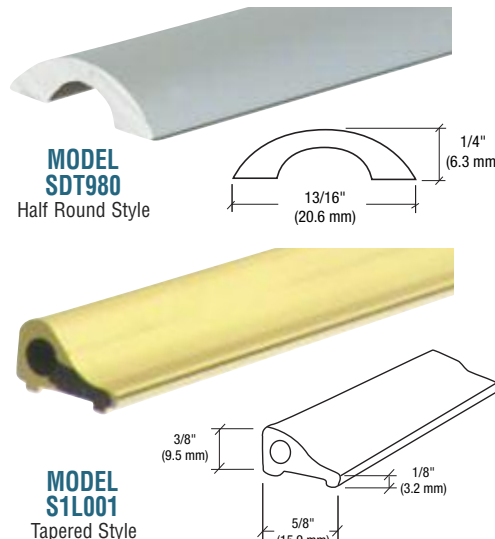
36" (914 MM) REPLACEMENT SNAP-IN FILLER

CAT. NO.	FINISH
1N06CH	Brite Anodized
1N06BR	Brite Gold Anodized
1N06BN	Brushed Nickel
1N06SC	Satin Anodized
1N06W	White

Minimum order: 1 each. Finishes can be combined for quantity pricing.

CRL Shower Door Thresholds

Shower Door Thresholds are mounted directly below the shower door to let water drain back into the shower stall. Ideal for flat or out-sloping curbs. The rounded low contour of the Half Round Threshold will not harm feet. The Tapered Style Sill leaves a minimal sightline from the exterior of the shower. Thresholds may be used in conjunction with a bottom sweep. Use Cat. No. 33SMRC Mildew Resistant Silicone Sealant to adhere to curb of shower stall.



- Assists Watershed Back Into Shower
- Perfect for Flat or Out-Sloping Curbs

SPECIFICATIONS:

Material: Aluminum Alloy

98" (2.49 M) STOCK LENGTH

CAT. NO.	STYLE	FINISH
SDT980BA	Half Round	Brite Anodized
SDT980BGA	Half Round	Brite Gold Anodized
SDT980BN	Half Round	Brushed Nickel
SDT980ORB	Half Round	Oil Rubbed Bronze
SDT980W	Half Round	White
S1L001CH	Tapered	Brite Anodized
S1L001BR	Tapered	Brite Gold Anodized
S1L001BN	Tapered	Brushed Nickel
S1L001A	Tapered	Satin Anodized
S1L001W	Tapered	White

Minimum order: 1 each. All Thresholds can be combined for quantity pricing. A Packing Charge will be added to orders of fewer than five combined lengths.

CRL Fixed Panel Support Bars

- May Be Used as an Alternative to CRL Header Kits to Secure Fixed Panels and Provide Safety
- Wall-to-Glass and Glass-to-Glass Models Available for 1/4" to 1/2" (6 to 12 mm) Glass
- Simply Cut to Size to Accommodate Individual Configurations
- No Hole Drilling Required

These Fixed Panel Support Bars stabilize fixed panels of glass in enclosures that do not go all the way up to the ceiling. The Wall-to-Glass Bar has a bell-shaped clamping device that screws into the wall, and a solid brass end cap with a swiveling U-shaped receptacle to secure the fixed glass panel. The Glass-to-Glass Bar has solid brass end caps with swiveling U-shaped receptacles on both ends to

secure each fixed panel. Nylon-tipped set screws secure the glass and prevent glass-to-metal contact. Bars are available in two lengths, and in sizes to secure 1/4" to 1/2" (6 to 12 mm) thick glass. Finishes are available to match most of our Hinges, Knobs, and Pull Handles. No holes or cut-outs are required in the glass. Longer length Bars are available separately on special order.



See the complete range of beautiful shower hardware finishes on page 114J



SPECIFICATIONS:

Material: 3/4" (19 mm) Diameter Tubular Brass Bar, Solid Brass End Caps

Bar Lengths: 39" (1 m); 51" (1.3 m)

Glass Thickness Range: 1/4" to 1/2" (6 to 12 mm)

Includes: All Required Mounting Hardware



Typical Wall-to-Glass Installation



Typical Glass-to-Glass Installation



Wall-to-Glass Bar



Glass-to-Glass Bar

WALL-TO-GLASS BARS

1/4" TO 5/16" (6 TO 8 MM) CAT. NO.	BAR LENGTH	FINISH	3/8" TO 1/2" (10 TO 12 MM) CAT. NO.
SUP06CH	39" (1 m)	Polished Chrome	SUP10CH
SUP06SC	39" (1 m)	Satin Chrome (Matte)	SUP10SC
---	39" (1 m)	Brushed Satin Chrome	SUP10BSC
SUP06BN	39" (1 m)	Brushed Nickel	SUP10BN
SUP06PN	39" (1 m)	Polished Nickel	SUP10PN
---	39" (1 m)	Satin Nickel	SUP10SN
---	39" (1 m)	Antique Brushed Nickel	SUP10ABN
SUP06BR	39" (1 m)	Polished Brass	SUP10BR
SUP06SB	39" (1 m)	Satin Brass	SUP10SB
---	39" (1 m)	Antique Brass	SUP10ABR
---	39" (1 m)	Oil Rubbed Bronze	SUP10ORB
---	39" (1 m)	Antique Bronze	SUP10ABRZ
SUP06GP	39" (1 m)	Gold Plated	SUP10GP
SUP06W	39" (1 m)	White	SUP10W
---	39" (1 m)	Black	SUP10BL
---	51" (1.3 m)	Polished Chrome	SUP10CH51
---	51" (1.3 m)	Brushed Nickel	SUP10BN51
---	51" (1.3 m)	Polished Brass	SUP10BR51

Minimum order: 1 each. All Support Bars can be combined for quantity pricing.

GLASS-TO-GLASS BARS

1/4" TO 5/16" (6 TO 8 MM) CAT. NO.	BAR LENGTH	FINISH	3/8" TO 1/2" (10 TO 12 MM) CAT. NO.
SUP26CH	39" (1 m)	Polished Chrome	SUP20CH
SUP26SC	39" (1 m)	Satin Chrome (Matte)	SUP20SC
SUP26BN	39" (1 m)	Brushed Nickel	SUP20BN
SUP26PN	39" (1 m)	Polished Nickel	SUP20PN
SUP26BR	39" (1 m)	Polished Brass	SUP20BR
---	39" (1 m)	Satin Brass	SUP20SB
SUP26UBR	39" (1 m)	Ultra Brass	---
SUP26ABR	39" (1 m)	Antique Brass	SUP20ABR
---	39" (1 m)	Oil Rubbed Bronze	SUP20ORB
---	39" (1 m)	Polished Copper	SUP20PCO
---	39" (1 m)	Gold Plated	SUP20GP
SUP26W	39" (1 m)	White	SUP20W
---	39" (1 m)	Black	SUP20BL
---	51" (1.3 m)	Polished Chrome	SUP20CH51
---	51" (1.3 m)	Brushed Nickel	SUP20BN51
---	51" (1.3 m)	Polished Brass	SUP20BR51
---	51" (1.3 m)	Antique Brass	SUP20ABR51

Minimum order: 1 each. All Support Bars can be combined for quantity pricing.

CRL Support Bar Accessories and Replacement Parts

- For Use as Replacement Parts, or for Fabrication of Your Own Custom Support Bar
- Many Popular Stock Finishes, With Custom Finishes Available
- No Glass Fabrication Required

CRL Support Bars Only

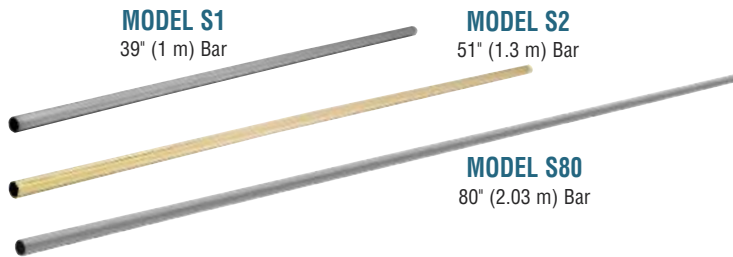
- 3/4" (19 mm) Diameter Straight Rod in a Choice of Three Lengths
- Custom Lengths and Finishes Available



See the complete range of beautiful shower hardware finishes on page 114J



CRL offers component and accessory Support Bar Parts for replacement purposes, or for the fabrication of a special Support Bar to complete your needs. Support Bars are an excellent way to stabilize a fixed panel in a frameless shower enclosure, and the assortment of the parts below gives you many options. You will find fabricating custom Support Bars for your requirements is quick and easy with our varied selection of parts. A variety of popular finishes are stocked, and as always custom finishes are available upon request.



39" (1 M) BAR CAT. NO.	51" (1.3 M) BAR CAT. NO.	80" (2.03 M) BAR CAT. NO.	FINISH
S1CH	S2CH	S80CH	Polished Chrome
S1SC	S2SC	S80SC	Satin Chrome (Matte)
S1BN	S2BN	S80BN	Brushed Nickel
---	S2PN	---	Polished Nickel
S1SN	S2SN	---	Satin Nickel
S1BR	S2BR	S80BR	Polished Brass
---	S2SB	---	Satin Brass
S1ABR	---	---	Antique Brass
S1ORB	S2ORB	S80ORB	Oil Rubbed Bronze
S1ABC0	---	---	Antique Brushed Copper
S1GP	S2GP	---	Gold Plated
S1W	S2W	---	White

Minimum order: 1 each. All Support Bars can be combined for quantity pricing.

CRL Wall or Ceiling Bracket for Support Bars

- Bracket Accepts S1, S2, or S80 Support Bar
- Fastens to Wall or Ceiling

Generally used with S4 or S5 U-Bracket on other end of Bar (see right).



MODEL S3

CAT. NO.	FINISH
S3CH	Polished Chrome
S3SC	Satin Chrome (Matte)
S3BN	Brushed Nickel
S3PN	Polished Nickel
S3SN	Satin Nickel
S3BR	Polished Brass
S3ORB	Oil Rubbed Bronze
S3W	White

Minimum order: 1 each.

CRL U-Brackets for 1/4" to 1/2" (6 to 12 mm) Glass

- Brackets Accept S1, S2, or S80 Support Bar

Adjustable bracket swivels to any angle and is secured with nylon tip screw.



MODEL S5
For 3/8" and 1/2"
(10 and 12 mm) Glass

MODEL S4
For 1/4" and 5/16"
(6 and 8 mm) Glass



FOR 1/4" AND 5/16"
(6 AND 8 MM) GLASS

CAT. NO.	FINISH
S4CH	Polished Chrome
S4SC	Satin Chrome (Matte)
S4BN	Brushed Nickel
S4SN	Satin Nickel
S4BR	Polished Brass
S4GP	Gold Plated
S4W	White

Minimum order: 1 each.

FOR 3/8" AND 1/2"
(10 AND 12 MM) GLASS

CAT. NO.	FINISH
S5CH	Polished Chrome
S5SC	Satin Chrome (Matte)
S5BN	Brushed Nickel
S5SN	Satin Nickel
S5BR	Polished Brass
S5ABR	Antique Brass
S5ORB	Oil Rubbed Bronze
S5ABC0	Antique Brushed Copper
S5W	White

Minimum order: 1 each.

CRL SUPPORT BARS

For Pricing Visit crlaurence.com or Call Us Toll Free at the Phone Numbers Shown on the Back Cover

CRL Movable Brackets for 1/4" to 1/2" (6 to 12 mm) Glass

- Bar Fits Through Bracket for Field Adjustments
- New Swivel Model for 1/4" (6 mm) Glass



MODEL S6
For 1/4" (6 mm) Glass

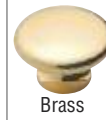


MODEL S6ADJ
Swivel For 1/4" (6 mm) Glass



MODEL S7
For 3/8" to 1/2" (10 to 12 mm) Glass

MODEL new



Brass

See the complete range of beautiful shower hardware finishes on page 114J



1/4" (6 MM) CAT. NO.	1/4" (6 MM) SWIVEL CAT. NO.	3/8" TO 1/2" (10 TO 12 MM) CAT. NO.	FINISH
S6CH	S6ADJCH	S7CH	Polished Chrome
S6SC	S6ADJSC	S7SC	Satin Chrome (Matte)
S6BN	S6ADJBN	S7BN	Brushed Nickel
S6BR	---	S7BR	Polished Brass
S6GP	---	S7GP	Gold Plated

Minimum order: 1 each.

CRL Vertical Support Bracket for 1/4" to 1/2" (6 to 12 mm) Glass

- Fixed Bracket for Edge or Top of Glass



MODEL S9
For 1/4" (6 mm) Glass



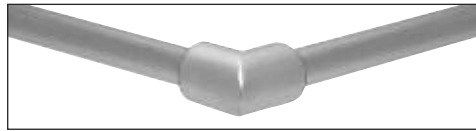
MODEL S910
For 3/8" to 1/2" (10 to 12 mm) Glass

1/4" (6 MM) CAT. NO.	3/8" TO 1/2" (10 TO 12 MM) CAT. NO.	FINISH
S9CH	S910CH	Polished Chrome
S9SC	S910SC	Satin Chrome (Matte)
S9BN	S910BN	Brushed Nickel
---	S910PN	Polished Nickel
S9BR	S910BR	Polished Brass
---	S910ORB	Oil Rubbed Bronze
---	S910GP	Gold Plated
S9WH	S910WH	White

Minimum order: 1 each.

CRL 90 Degree Corner Bracket for Support Bars

- 90 Degree Corner Accepts S1, S2, or S80 Bar in Both Ends



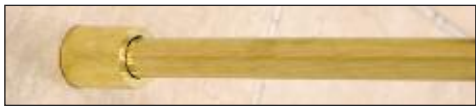
MODEL S8

CAT. NO.	FINISH
S8CH	Polished Chrome
S8SC	Satin Chrome (Matte)
S8BN	Brushed Nickel
S8GP	Gold Plated

Minimum order: 1 each.

CRL Slim Line Wall Mount Fitting for Support Bars

- Slimline Wall Mount Bracket to Accept S1, S2, or S80 Bar
- Fastens to Wall or Ceiling



MODEL S12

CAT. NO.	FINISH
S12CH	Polished Chrome
S12SC	Satin Chrome (Matte)
S12BN	Brushed Nickel
S12PN	Polished Nickel
S12BR	Polished Brass
S12ABR	Antique Brass
S12GP	Gold Plated

Minimum order: 1 each.

CRL Slim Line Glass Mount Fitting for 1/4" to 1/2" (6 to 12 mm) Glass

- Slimline Glass Mount Fitting to Accept S1, S2, or S80 Bar
- Sleeves Over Glass



MODEL S13

CAT. NO.	FINISH
S13CH	Polished Chrome
S13BN	Brushed Nickel
S13PN	Polished Nickel
S13BR	Polished Brass
S13ABR	Antique Brass
S13GP	Gold Plated

Minimum order: 1 each.



C.R. LAURENCE COMPANY

crlaurence.com | usalum.com

312J | crlaurence.ca crlaurence.com.au crlaurence.co.uk crlaurence.de crlaurence.eu

CRL Mitered Support Bar Brackets

- A Great Solution for Inline Enclosures Requiring Fixed Panel Support When a Header is Not Desired
- Replace End Fittings on Stock Support Bars
- 45 and 22-1/2 Degree Miters Available
- Available in Many Popular Finishes, With Custom Finishes Available

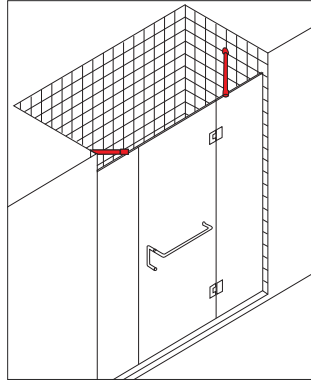
These Mitered Support Bar Wall Mount Brackets are designed to attach to the wall by screw. These Brackets are perfect for inline 180 degree shower enclosures, and fit on the end of our Support Bars. When run at angle toward an adjacent wall, they will fit flush due to their mitered ends, and secure the fixed panel (see diagram to right). Brackets come in many popular stock finishes to match CRL Frameless Shower Door Hardware, with custom finishes available.



MODEL SBB45



MODEL SBB22



Typical Installation



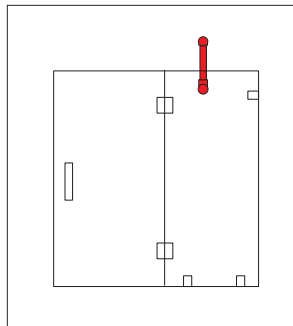
NOTE: Can be used with S1, S2, and S80 Bars and S4 and S5 U-Brackets (see page 311J).

45 DEGREE CAT. NO.	22-1/2 DEGREE CAT. NO.	FINISH
SBB45CH	SBB22CH	Polished Chrome
SBB45SC	SBB22SC	Satin Chrome (Matte)
SBB45BN	SBB22BN	Brushed Nickel
SBB45PN	---	Polished Nickel
SBB45ABN	---	Antique Brushed Nickel
SBB45BR	SBB22BR	Polished Brass
SBB45SB	---	Satin Brass
SBB45ABR	---	Antique Brass
SBB45ORB	---	Oil Rubbed Bronze
SBB45ABRZ	---	Antique Bronze
SBB45ABCO	---	Antique Brushed Copper
SBB45PCO	---	Polished Copper
SBB45GP	---	Gold Plated
SBB45W	---	White
SBB45BL	---	Black

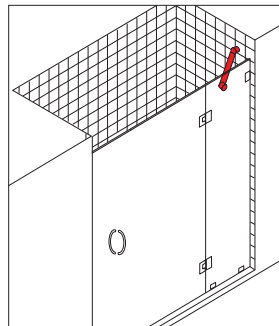
Minimum order: 1 each.

CRL Through-Glass Mounted Support Bar

- Choice of Wall/Ceiling Mount or Glass-to-Glass Mount
- Helps Strengthen Structural Integrity of Shower Enclosure
- Stocked in Numerous Finishes, With Custom Finishes Available
- All Mounting Hardware Included



Ceiling Mount Front View



Wall Mount

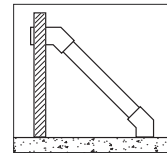
The Through-Glass Mounted Support Bar creates a means of support that strengthens an enclosure's structural integrity. It may be used in place of a Header in certain applications (call for details), and can be mounted to a wall, ceiling or glass-to-glass. You cut it to fit your exact needs. Supplied Bar is 39" (1 m) long, requires a 5/8" (16 mm) hole in the glass, and comes in finishes to match our Hinges and Pull Handles. All mounting hardware included.



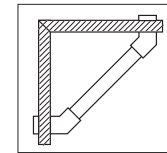
CAT. NO. SUP135
Wall Mount



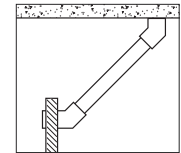
CAT. NO. SUP135G2G
Glass-to-Glass Mount



Wall Mount
Overhead View



Glass-to-Glass Mount
Overhead View



Ceiling Mount
Side View

WALL/CEILING MOUNT CAT. NO.	GLASS-TO-GLASS CAT. NO.	FINISH
SUP135CH	SUP135G2GCH	Polished Chrome
SUP135SC	SUP135G2GSC	Satin Chrome (Matte)
SUP135BN	SUP135G2GBN	Brushed Nickel
SUP135PN	SUP135G2GPN	Polished Nickel
SUP135ABN	---	Antique Brushed Nickel
SUP135BR	SUP135G2GBR	Polished Brass
SUP135SB	SUP135G2GSB	Satin Brass
SUP135ORB	SUP135G2GORB	Oil Rubbed Bronze

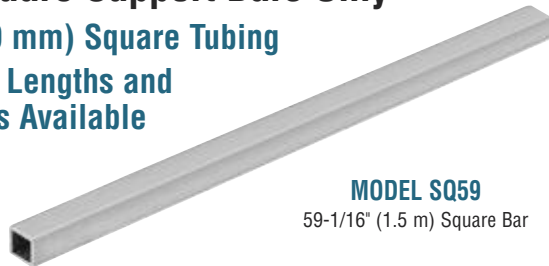
Minimum order: 1 each. All Support Bars can be combined for quantity pricing.

CRL Square Support Bar Accessories and Replacement Parts

- New Square Tubing Matches Geometry of Many Popular CRL Hinges
- Provides Fixed Panel Support for Enclosures Not Going to the Ceiling
- No Hole Drilling Required in Glass
- Five Popular Stock Finishes, With Custom Finishes Available

CRL Square Support Bars Only

- 3/4" (19 mm) Square Tubing
- Custom Lengths and Finishes Available



MODEL SQ59
59-1/16" (1.5 m) Square Bar

FINISHES:



Most models are stocked in the finishes shown here, others are available on special order.



new

Our new Square Support Bar compliments many CRL square corner style hinges. The Bar stabilizes fixed panels of glass in enclosures that do not go to the ceiling. After ordering the Bar itself, choose from a number of various Fittings to complete the desired application. The Fittings come with nylon-tipped set screws that secure the glass and prevent metal-to-metal contact. Finishes are available to match many popular decors. No holes or cut-outs are required in the glass.

59-1/16" (1.5 M) BAR CAT. NO.	FINISH
SQ59CH	Polished Chrome
SQ59SC	Satin Chrome (Matte)
SQ59BN	Brushed Nickel
SQ59BR	Polished Brass
SQ590RB	Oil Rubbed Bronze

Minimum order: 1 each. All Support Bars can be combined for quantity pricing.

CRL Wall Mount Bracket for Square Support Bars

- Bracket Accepts SQ59 Support Bar
- Fastens to Wall

Generally used with SQ41 or SQ42 U-Bracket on other end of Bar (see right).



MODEL SQ46

CAT. NO.	FINISH
SQ46CH	Polished Chrome
SQ46SC	Satin Chrome (Matte)
SQ46BN	Brushed Nickel
SQ46BR	Polished Brass
SQ460RB	Oil Rubbed Bronze

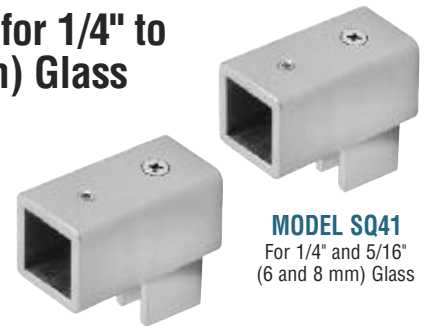
Minimum order: 1 each.

new

CRL U-Brackets for 1/4" to 1/2" (6 to 12 mm) Glass

- Brackets Accept SQ59 Support Bar

Adjustable bracket swivels to any angle and is secured with nylon tip screw.



MODEL SQ42
For 3/8" and 1/2"
(10 and 12 mm) Glass

MODEL SQ41
For 1/4" and 5/16"
(6 and 8 mm) Glass

new



FOR 1/4" AND 5/16" (6 AND 8 MM) GLASS

CAT. NO.	FINISH
SQ41CH	Polished Chrome
SQ41SC	Satin Chrome (Matte)
SQ41BN	Brushed Nickel
SQ41BR	Polished Brass
SQ410RB	Oil Rubbed Bronze

Minimum order: 1 each.

FOR 3/8" AND 1/2" (10 AND 12 MM) GLASS

CAT. NO.	FINISH
SQ42CH	Polished Chrome
SQ42SC	Satin Chrome (Matte)
SQ42BN	Brushed Nickel
SQ42BR	Polished Brass
SQ420RB	Oil Rubbed Bronze

Minimum order: 1 each.

CRL SUPPORT BARS

For Pricing Visit crlaurence.com or Call Us Toll Free at the Phone Numbers Shown on the Back Cover

CRL Movable Brackets for 1/4" to 1/2" (6 to 12 mm) Glass

- Fixed U-Bracket for Use at the Top of 1/4" to 1/2" (6 to 12 mm) Glass
- Square Bar Fits Through Bracket for Field Adjustments



new

Set Screw
No Drilling
Required

MODEL SQ43

For 1/4" to 5/16"
(6 to 8 mm) Glass



MODEL SQ44

For 3/8" to 1/2"
(10 to 12 mm) Glass



Brass

See the complete range of beautiful shower hardware finishes on page 114J

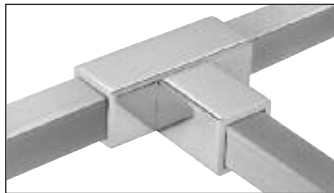


1/4" TO 5/16" (6 TO 8 MM) CAT. NO.	3/8" TO 1/2" (10 TO 12 MM) CAT. NO.	FINISH
SQ43CH	SQ44CH	Polished Chrome
SQ43SC	SQ44SC	Satin Chrome (Matte)
SQ43BN	SQ44BN	Brushed Nickel
SQ43BR	SQ44BR	Polished Brass
SQ43ORB	SQ44ORB	Oil Rubbed Bronze

Minimum order: 1 each.

CRL 'T' Junction Bracket for Square Support Bars

- Accepts SQ59 Bar in Ends



MODEL SQ50

new

CAT. NO.	FINISH
SQ50CH	Polished Chrome
SQ50SC	Satin Chrome (Matte)
SQ50BN	Brushed Nickel
SQ50BR	Polished Brass
SQ50ORB	Oil Rubbed Bronze

Minimum order: 1 each.

CRL Adjustable Corner Bracket for Square Support Bars

- Adjustable Corner Accepts SQ59 Bar in Both Ends



MODEL SQ45

new

CAT. NO.	FINISH
SQ45CH	Polished Chrome
SQ45SC	Satin Chrome (Matte)
SQ45BN	Brushed Nickel
SQ45BR	Polished Brass
SQ45ORB	Oil Rubbed Bronze

Minimum order: 1 each.

CRL Adjustable Wall Mount Bracket for Square Support Bars

- Adjustable Wall Mount Bracket to Accept SQ59 Bar
- Fastens to Wall



MODEL SQ49

new

CAT. NO.	FINISH
SQ49CH	Polished Chrome
SQ49SC	Satin Chrome (Matte)
SQ49BN	Brushed Nickel
SQ49BR	Polished Brass
SQ49ORB	Oil Rubbed Bronze

Minimum order: 1 each.

CRL Mitered Brackets for Square Support Bar

- 45 and 22-1/2 Degree Miters Available



Set Screws
to Secure Bar

MODEL SQ47

45 Degree Mitered
Wall Mount Bracket



MODEL SQ48

22-1/2 Degree Mitered
Wall Mount Bracket

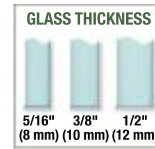
new

45 DEGREE CAT. NO.	22-1/2 DEGREE CAT. NO.	FINISH
SQ47CH	SQ48CH	Polished Chrome
SQ47SC	SQ48SC	Satin Chrome (Matte)
SQ47BN	SQ48BN	Brushed Nickel
SQ47BR	SQ48BR	Polished Brass
SQ47ORB	SQ48ORB	Oil Rubbed Bronze

Minimum order: 1 each.

CRL Frameless Vertical Post Systems

- Stock or Custom Kits Allow User to Stabilize Fixed Panels of Glass Not Going to Ceiling
- Excellent Alternative to Traditional Horizontal Header Systems
- Four Popular Stock Finishes For 5/16", 3/8", and 1/2" (8, 10, and 12 mm) Glass
- Glass Fabrication Required for Tube Adaptors/End Caps
- Custom Kits Available in Various Finishes, Post Configurations, and With Dome or Ball Style Glue-In End Caps (Two-Point System Only)



new

CRL offers two styles of our new Frameless Vertical Post System. They are used to stabilize fixed panels of glass not reaching the ceiling, and provide an excellent alternative to customers not wanting to use the more traditional horizontal Header Systems that run across the entire width of the enclosure. An especially attractive look is when patterned glass with decorative, rippled top edges is used, since a Header System cannot be applied as a crown to the glass. Posts are pre-drilled.

Two stock systems are offered the Floor-to-Ceiling Mount System and the Two-Point Ceiling Mount System. Stock Systems are prepared for behind-the-glass installation. Custom Systems and finishes are available by simply submitting a drawing to our Frameless Shower Door Technical Department. Tube Adaptors/End Caps require 3/4" (19 mm) holes in glass. Complete mounting details and installation instructions can be viewed at crlaurence.com.



Typical Floor-to-Ceiling Mount System Shown Installed Behind Decorative Glass



Typical Two-Point Ceiling Mount System Shown Installed Behind Glass
NOTE: Maximum Bar Length is 33" (838 mm)

Floor-to-Ceiling Mount System

STOCK KIT INCLUDES:

- 1 Each - 92" (2.3 m) length of 2" (51 mm) diameter Round Tubing with welded Bottom Flange and two Rivet Nuts
- 2 Each - Tube Adaptors with 1-1/2" (38 mm) diameter End Caps (with Threaded Stud)
- 1 Each - Removable Top Flange with Set Screw

NOTE: Stock Kit is prepared for one degree floor slope to the inside of the shower. Shimming is required if floor is not a one degree slope to the inside of the shower, or a Custom Kit may be ordered instead.

CAT. NO.	FINISH
VPK92CH	Polished Stainless (Polished Chrome Look)
VPK92BN	Brushed Stainless (Brushed Nickel Look)
VPK92BR	Polished Brass
VPK92ORB	Oil Rubbed Bronze

Minimum order: 1 each.

Two-Point Ceiling Mount System

STOCK KIT INCLUDES:

- 1 Each - 33" (838 mm) length of 2" (51 mm) diameter Round Tubing, two Rivet Nuts, and Flat Style End Cap
- 2 Each - Tube Adaptors with 1-1/2" (38 mm) diameter End Caps (with Threaded Stud)
- 1 Each - Removable Top Flange with Set Screw

NOTE: There are size limitations when hinging a door off a panel fastened using the VPK33. Call our Frameless Shower Department for details.

CAT. NO.	FINISH
VPK33CH	Polished Stainless (Polished Chrome Look)
VPK33BN	Brushed Stainless (Brushed Nickel Look)
VPK33BR	Polished Brass
VPK33ORB	Oil Rubbed Bronze

Minimum order: 1 each.

CRL Thru-Glass to Wall Straight Shower Rod

new

- Ideal for Use as a Shower Curtain Rod
- 72" Length Stocked in Polished and Brushed Stainless Steel
- Custom Length and Painted Finishes Available

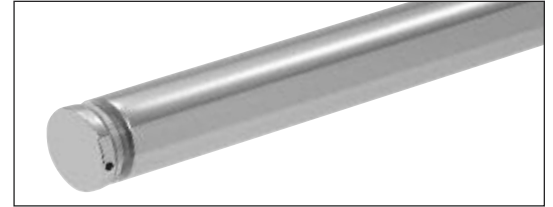
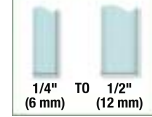
You will find our 72" (1.83 m) long Thru-Glass to Wall Rod a handy item with many uses. A typical use is as a thru-glass curtain rod to be fastened to a return panel. The 3/4" (19 mm) diameter tubing is prepped on one end with a 3/4" (19 mm) diameter end cap. A 1/2" (12 mm) diameter hole is required in the glass. Requires additional fitting for wall attachment (either S3 or S12) Support Bar Fitting, see pages 311J-312J.

FINISHES:



Most models are stocked in the finishes shown here, others are available on special order.

GLASS THICKNESS



SPECIFICATIONS:

- Material:** 3/4" (19 mm) Diameter Stainless Tubing
- Bar Length:** 72" (1.83 m)
- Glass Thickness Range:** 1/4" to 1/2" (6 to 12 mm)
- Glass Fabrication Required:** 1/2" (12 mm) Diameter Hole
- Includes:** 3/4" (19 mm) Diameter End Cap on One End

CAT. NO.	FINISH
TUBE3472PS	Polished Stainless
TUBE3472BS	Brushed Stainless

Minimum order: 1 each.

CRL Adjustable Curved Shower Rods

new

- Adjustable 54" to 72" (1.37 to 1.83 m) Length to Accommodate Most Any Shower Enclosure
- Curved Rod Provides More Shower Space
- Choice of Stainless Steel or Zinc Construction in an Assortment of Popular Finish Options
- Mounting Hardware Included
- Custom Finishes Available

FINISHES:



Most models are stocked in the finishes shown here, others are available on special order.



Easily Adjusts From 54" to 72" (1.37 to 1.83 m)

Our NEW Curved Shower Adjustable Rods will provide more space for the shower enclosure. The crescent shaped Rods are adjustable from 54" to 72" (1.37 to 1.83 m), therefore accommodating most any typical shower enclosure. The 1" (25.4 mm) diameter Curved Adjustable Shower Rods come in a choice of durable stainless steel construction (polished and brushed), or economical zinc construction in five popular finishes (polished chrome, polished brass, brushed nickel, oil rubbed bronze, and satin chrome). Mounting hardware is included in each box to assist with easy installation. Custom finishes are available upon demand.

CAT. NO.	MATERIAL	FINISH
ASR1CH	Zinc	Polished Chrome
ASR1SC	Zinc	Satin Chrome (matte)
ASR1BN	Zinc	Brushed Nickel
ASR1BR	Zinc	Polished Brass
ASR1ORB	Zinc	Oil Rubbed Bronze
ASR1PS	Stainless Steel	Polished Stainless
ASR1BS	Stainless Steel	Brushed Stainless

Minimum order: 1 each. Finishes can be combined for quantity pricing.

SPECIFICATIONS:

- Material:** 1" (25.4 mm) Stainless Steel or Zinc Tubing
- Bar Length:** Adjustable from 54" to 72" (1.37 to 1.83 m)
- No Glass Fabrication Required**
- Includes:** Mounting Hardware

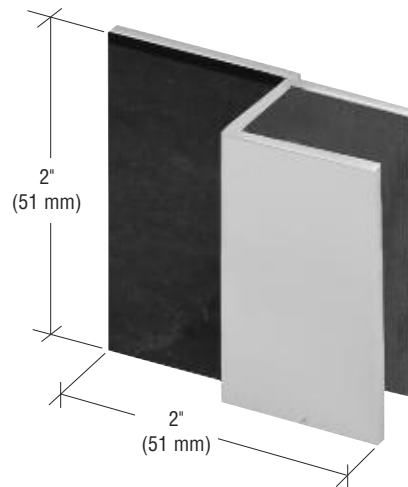
CRL Square Style Frameless Shower Door Stops

- For 1/4" to 3/8" (6 to 10 mm) Glass
- Designed to Match Configuration of Geneva, Concord, Vienna, and Cardiff Hinges
- For Use with Door and 180 Degree Inline Fixed Panel
- Prevent Door From Going Into Shower Enclosure
- No Glass Fabrication Required

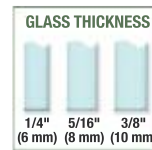
Our new CRL Door Stop is for mounting on an inline 180 degree fixed panel to prevent the door from going into the shower enclosure. The door closes into a soft rubber portion of the Door Stop. Seven stock finishes are offered to match most popular décors. The Door Stop fits glass thicknesses ranging from 1/4" to 3/8" (6 to 10 mm). Door Stop is secured to glass with nylon tipped screw.

SPECIFICATIONS:

Material: Solid Brass, Rubber
Glass Thickness Range: 1/4" to 3/8" (6 to 10 mm)
No Glass Fabrication Required



new



FINISHES:



Most models are stocked in the finishes shown here, others are available on special order.

MODEL DSSQ1 Square Door Stop

CAT. NO.	FINISH
DSSQ1CH	Polished Chrome
DSSQ1SC	Satin Chrome (Matte)
DSSQ1BN	Brushed Nickel
DSSQ1PN	Polished Nickel
DSSQ1BR	Polished Brass
DSSQ1ABR	Antique Brass
DSSQ1ORB	Oil Rubbed Bronze

Minimum order: 1 each. All Frameless Shower Door Stops can be combined for quantity pricing.

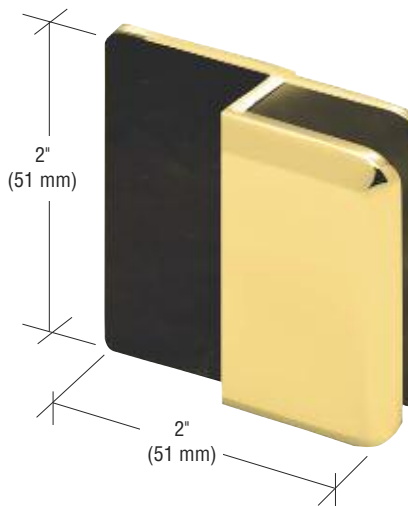
CRL Beveled Style Frameless Shower Door Stops

- For 1/4" to 3/8" (6 to 10 mm) Glass
- Designed to Match Pinnacle, Prima, Senior Prima, Cologne, and Estate Hinges
- For Use with Door and 180 Degree Inline Fixed Panel
- Prevent Door From Going Into Shower Enclosure
- No Glass Fabrication Required

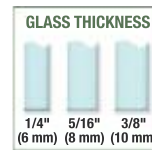
Our new CRL Door Stop is for mounting on an inline 180 degree fixed panel to prevent the door from going into the shower enclosure. The door closes into a soft rubber portion of the Door Stop. Seven stock finishes are offered to match most popular décors. The Door Stop fits glass thicknesses ranging from 1/4" to 3/8" (6 to 10 mm). Door Stop is secured to glass with nylon tipped screw.

SPECIFICATIONS:

Material: Solid Brass, Rubber
Glass Thickness Range: 1/4" to 3/8" (6 to 10 mm)
No Glass Fabrication Required



new



FINISHES:



Most models are stocked in the finishes shown here, others are available on special order.

MODEL DSBEV1 Beveled Door Stop

CAT. NO.	FINISH
DSBEV1CH	Polished Chrome
DSBEV1SC	Satin Chrome (Matte)
DSBEV1BN	Brushed Nickel
DSBEV1PN	Polished Nickel
DSBEV1BR	Polished Brass
DSBEV1ABR	Antique Brass
DSBEV1ORB	Oil Rubbed Bronze

Minimum order: 1 each. All Frameless Shower Door Stops can be combined for quantity pricing.

CRL Water Seals and Sweeps

- Water Seals and Sweeps are Designed to Minimize Water Leakage From Frameless Shower Enclosures
- Profiles to Work With Most Any Shower Configuration
- Snap-On and Tape-On Varieties Offered
- Anti-Fungus and UV Protection in Many Seals
- Range of Seals for 1/4" (6 mm) Up to 1/2" (12 mm) Glass

Our offering of Water Seals and Sweeps allows the installer to put the finishing touch on a frameless shower enclosure, and assist in minimizing water leakage. Poorly designed, or certain configurations of enclosures may still be subject to minimal water escape, but our Water Seals and Sweeps contribute to helping control it.

A variety of shapes are available for glass thicknesses ranging from 1/4" (6 mm) all the way up to 1/2" (12 mm). Some profiles are easily snapped-on to fit snugly on the glass, while other profiles require the use of our Clear Double-Sided Very High Bond Adhesive Tapes shown on page 327J. Many profiles offer anti-fungus and UV protectors to maximize seal life.



CRL Water Seal and Sweep Profile Set

- 6" (152 mm) Pieces of All Profiles
- Helpful in Calculating Glass Size Deductions
- Allows Customers to Visualize Seals for Their Shower
- Great for Showrooms and Portfolios

We offer a Water Seal and Sweep Profile Set that consists of 6" (152 mm) pieces of all Wipes and Seals. Use them to show your customers how these profiles will assist in minimizing water escape from their shower. You will also find them helpful in calculating deductions for final glass measurements.

Our Water Seal and Sweep Profile Set is perfect for your showroom or portfolio so customers can evaluate the various options they will have to seal their new frameless shower enclosure.



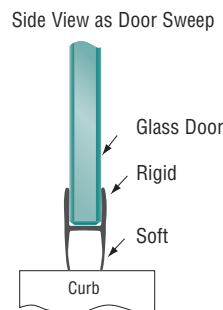
CAT. NO.	DESCRIPTION
PVPS95	Water Seal and Sweep Profile Set

Minimum order: 1 each.

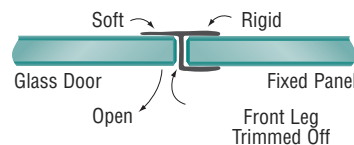
CRL Multi-Purpose 'H' Wipe

- One of Our Most Versatile Seals
- Available for Four Glass Thicknesses

Versatile Multi-Purpose 'H' Wipe has two rigid legs and two soft legs. It can be used as a bottom sweep, or as a seal if run vertically up the edge of the door or fixed panel. One or both soft legs can be trimmed to accommodate many installation options.



Top View as Vertical Edge Seal



98" (2.49 MM) STOCK LENGTHS

CAT. NO.	DESCRIPTION
P250HW	1/4" (6 mm)
P312HW	5/16" (8 mm)
P375HW	3/8" (10 mm)
P500HW	1/2" (12 mm)

Minimum order: 1 each.

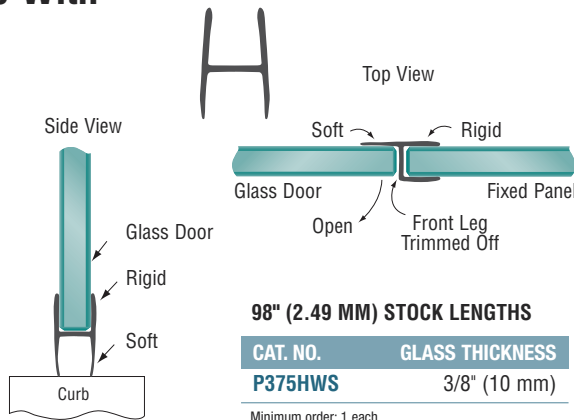


All Seals and Wipes can be combined for quantity shipping. Packing Charge added to orders of fewer than 10 combined lengths.

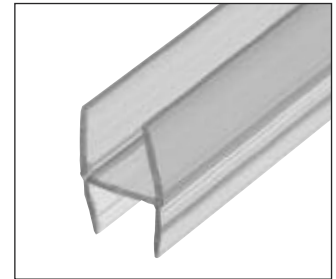
CRL Multi-Purpose 'H' Wipe With "Extra Soft" Twin Legs

- Very Soft Twin Legs Seal While Providing Quieter Door Closure

Our NEW Multi-Purpose 'H' Wipe With "Extra Soft" Twin Legs acts as a versatile seal that can be used either on the side or bottom of a door. Because of the very soft dual legs, quieter door closure can be expected, as opposed to closing into harder plastic seals. It is also easy to trim the very soft legs to accommodate your particular application.



new



98" (2.49 MM) STOCK LENGTHS

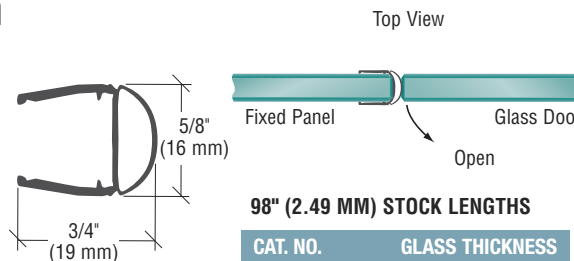
CAT. NO.	GLASS THICKNESS
P375HWS	3/8" (10 mm)

Minimum order: 1 each.

CRL Polycarbonate 'U' With Bulb Attachment

- Can Be Used on Inswing and Outswing Doors

This Clear Polycarbonate 'U' With Bulb Attachment is a versatile seal that can be mounted to the edge of a door or panel for a variety of installation configurations. The soft Bulb portion of the Seal allows doors to swing both in and out of the enclosure if desired.



new



98" (2.49 MM) STOCK LENGTHS

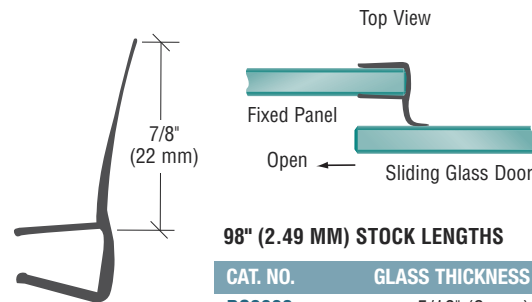
CAT. NO.	GLASS THICKNESS
PCR10	3/8" (10 mm)

Minimum order: 1 each.

CRL Polycarbonate 'U' With 90 Degree Vinyl Fin Seal

- Ideal for Use With Hydroslide Sliding System

This Polycarbonate 'U' with 90 Degree Vinyl Fin Seal has multiple uses like: applying to the sliding door or fixed panel of a Hydroslide Sliding Door System; or as a 90 degree seal for a fixed panel meeting a door at 90 degrees.



new



98" (2.49 MM) STOCK LENGTHS

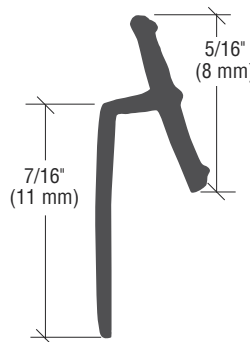
CAT. NO.	GLASS THICKNESS
PC0890	5/16" (8 mm)
PC1090	3/8" (10 mm)

Minimum order: 1 each.

CRL Clear PVC Vinyl 'T' Seal

- For Replacement in CRL Shower Door Seals

This Clear PVC Vinyl 'T' Seal is used in our door seals: P180SDJ, P120SDJ, P045DJ, P135DJ, P045SJ, and P135SJ. Sold in increments of 100 feet only. Minimum order is 100 feet (30.5 m).



new

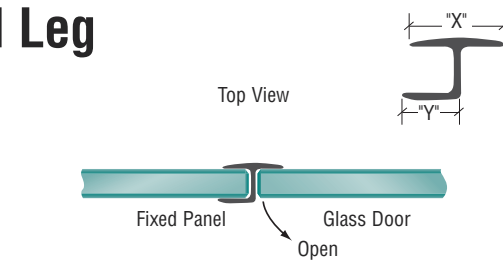


CAT. NO. V600CSGF

CRL 'h' Jamb With Hard Leg

- Our Most Popular 180 Degree Inline Seal
- Snaps Onto Fixed Panel

This Clear 'h' Jamb is for use on 180 degree inline glass-to-glass applications. Snap onto the fixed panel with a lip on the strike side, or onto the door with the lip on the hinge side. Leaves a clear appearance while serving as a functional seal. Entire 'h' Jamb is made of hard polycarbonate.



98" (2.49 M) STOCK LENGTHS

CAT. NO.	"X"	"Y"	GLASS THICKNESS
P140HJ	11/16" (17 mm)	3/8" (10 mm)	1/4" (6 mm)
P516HJ	3/4" (19 mm)	3/8" (10 mm)	5/16" (8 mm)
P380HJ	15/16" (24 mm)	1/2" (12 mm)	3/8" (10 mm)
P120HJ	15/16" (24 mm)	1/2" (12 mm)	1/2" (12 mm)

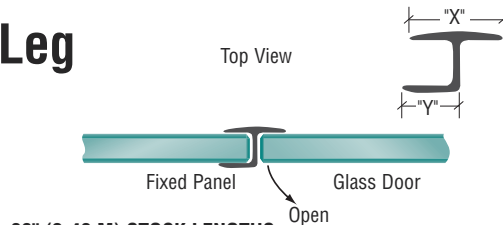
Minimum order: 1 each.



CRL 'y' Jamb With Soft Leg

- Soft Vinyl Single Leg for Quieter Door Closure

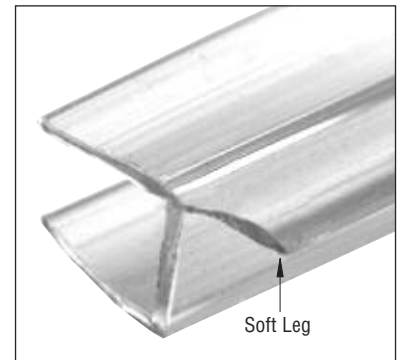
This Seal is used on 180 degree inline glass-to-glass applications. The 'U' portion is rigid, and the single leg is soft to cushion the closing. Snaps on to fixed panel inline with the door.



98" (2.49 M) STOCK LENGTHS

CAT. NO.	"X"	"Y"	GLASS THICKNESS
PCC8	3/4" (19 mm)	7/16" (11 mm)	5/16" (8 mm)
PCC10	13/16" (21 mm)	1/2" (12 mm)	3/8" (10 mm)
PCC12	13/16" (21 mm)	1/2" (12 mm)	1/2" (12 mm)

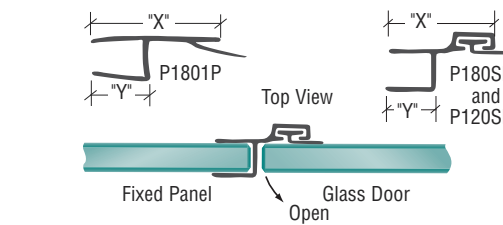
Minimum order: 1 each.



CRL Strike and Door Jamb for 180 Degrees

- Vinyl Insert for Added Coverage

This Clear 180 Degree Polycarbonate is snapped onto the fixed panel running inline with the door. P180SDJ and P120SDJ contain vinyl insert V600CSGFT. P1801P is all one piece.



98" (2.49 M) STOCK LENGTHS

CAT. NO.	"X"	"Y"	GLASS THICKNESS
P1801P	1-1/8" (29 mm)	1/2" (12 mm)	3/8" (10 mm)
P180SDJ	1-1/8" (29 mm)	1/2" (12 mm)	3/8" (10 mm)
P120SDJ	1-1/8" (29 mm)	9/16" (14 mm)	1/2" (12 mm)

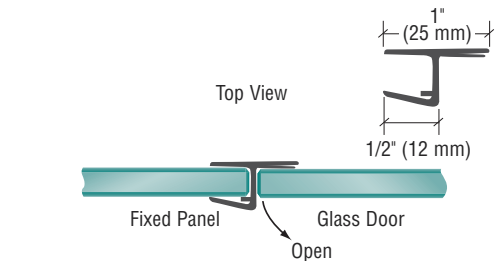
Minimum order: 1 each.



CRL 'h' Jamb With Cushion Fin

- Soft Vinyl Cushions Door Closure

This clear 180 Degree 'h' Jamb is for use on inline glass-to-glass installations. Snap on to the fixed panel with the lip on the strike side. Soft vinyl helps cushion door closure and reduce noise.



98" (2.49 M) STOCK LENGTHS

CAT. NO.	GLASS THICKNESS
PCK8	5/16" (8 mm)

Minimum order: 1 each.

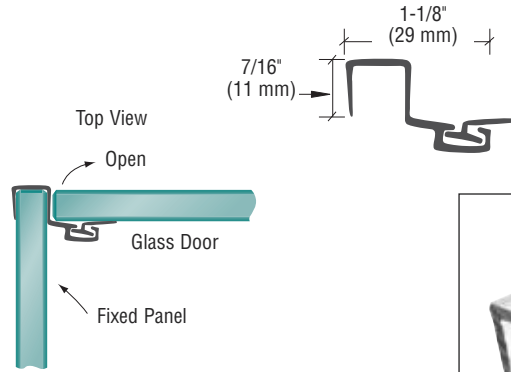


All Seals and Wipes can be combined for quantity pricing. Packing Charge added to orders fewer than 10 combined lengths.

CRL 'U' Seal With Leg and Insert at 90 Degrees

- Vinyl Insert Included for Extra Protection

This clear 'U' Seal is snapped onto the strike side fixed panel at a 90 degree angle from the door. Vinyl insert is included with each length. Configuration and sturdiness of seal contributes to additional protection.



98" (2.49 M) STOCK LENGTHS

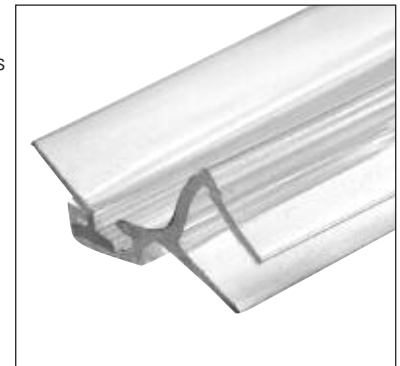
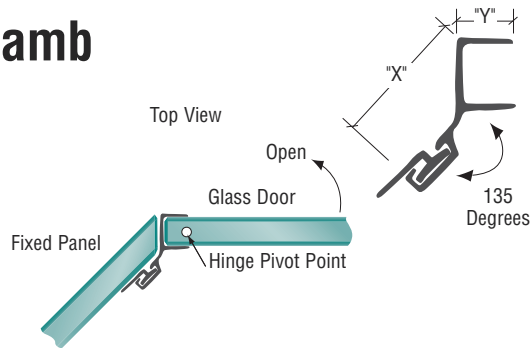
CAT. NO.	GLASS THICKNESS
P090SJ	3/8" (10 mm)

Minimum order: 1 each.

CRL 135 Degree Door Jamb

- Popular Neo-Angle Door Jamb
- Vinyl Insert Included

This clear Seal is snapped onto the door on the hinge side to achieve a seal to the fixed panel in 135 degree neo-angle installations. Clear vinyl insert V600CSGFT is included with each length.



98" (2.49 M) STOCK LENGTHS

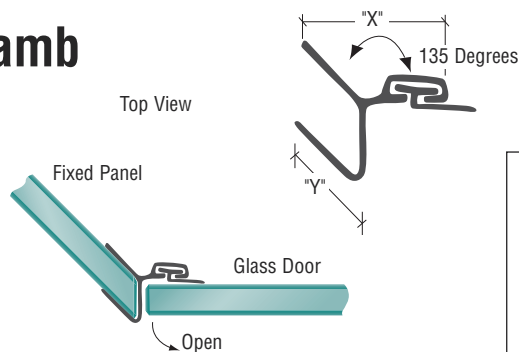
CAT. NO.	"X"	"Y"	GLASS THICKNESS
P045DJ	1" (25 mm)	3/8" (10 mm)	5/16" (8 mm)
P135DJ	1-1/4" (32 mm)	7/16" (11 mm)	3/8" (10 mm)

Minimum order: 1 each.

CRL 135 Degree Strike Jamb

- Popular Neo-Angle Strike Jamb for Mitered Fixed Panel
- Vinyl Insert Included

This clear Seal is snapped onto the fixed mitered strike panel when using hinges in 135 degree neo-angle installations. Vinyl insert V600CSGFT is included with each length.



98" (2.49 M) STOCK LENGTHS

CAT. NO.	"X"	"Y"	GLASS THICKNESS
P045SJ	1" (25 mm)	5/8" (16 mm)	5/16" (8 mm)
P135SJ	1-1/4" (32 mm)	1-1/8" (29 mm)	3/8" (10 mm)

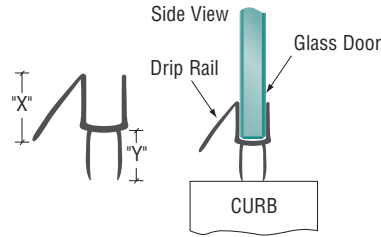
Minimum order: 1 each.

All Seals and Wipes can be combined for quantity pricing. Packing Charge added to orders fewer than 10 combined lengths.

CRL Co-Extruded Bottom Wipe With Drip Rail

- Our Most Popular Bottom Sweep
- 45 Degree Drip Rail Assists in Deflecting Water Back Into Enclosure

The clear Bottom Wipe With Drip Rail snaps onto bottom of door. Soft wipes on bottom create a water resistant seal. 45 degree Drip Rail sheds the water back into the shower.



98" (2.49 M) STOCK LENGTHS

CAT. NO.	"X"	"Y"	GLASS THICKNESS
P914WS	5/8" (16 mm)	3/8" (10 mm)	1/4" (6 mm)
P956WS	5/8" (16 mm)	3/8" (10 mm)	5/16" (8 mm)
P990WS	3/4" (19 mm)	3/8" (10 mm)	3/8" (10 mm)
P912WS	3/4" (19 mm)	3/8" (10 mm)	1/2" (12 mm)

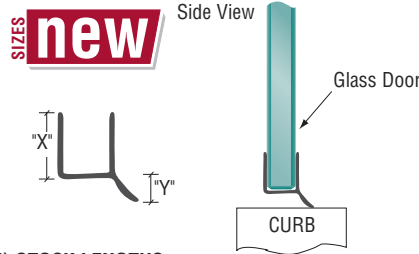
Minimum order:1 each.



CRL Dual Durometer PVC Seal With Wipe

- Versatile Seal Can Be Used as Bottom Sweep, or Vertically on Bi-Fold Doors

This clear Dual Durometer PVC Seal and Wipe has two uses: Snap it on door bottom and the soft lip acts as a wipe; snap it on an overlapping bi-fold door and the soft lip acts as a seal.



98" (2.49 M) STOCK LENGTHS

CAT. NO.	"X"	"Y"	GLASS THICKNESS
P14WS	3/8" (10 mm)	1/4" (6 mm)	1/4" (6 mm)
P770WS	1/2" (12 mm)	1/4" (6 mm)	5/16" (8 mm)
P880WS	9/16" (14 mm)	1/4" (6 mm)	3/8" (10 mm)
P120WS	5/8" (16 mm)	1/4" (6 mm)	1/2" (12 mm)

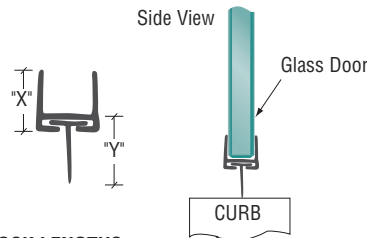
Minimum order:1 each.



CRL Clear Bottom Rail With Translucent Wipe

- Includes Insert Slot With Our SDTW "T" Wipe Included

This Clear Bottom Rail is snapped onto door bottom to achieve a seal. Bottom rail includes a length of our Cat. No. SDTW Translucent "T" Wipe.



98" (2.49 M) STOCK LENGTHS

CAT. NO.	"X"	"Y"	GLASS THICKNESS
P450BR	3/8" (10 mm)	7/16" (11 mm)	5/16" (8 mm)
P500BR	7/16" (11 mm)	7/16" (11 mm)	3/8" (10 mm)
P660BR	1/2" (12 mm)	7/16" (11 mm)	1/2" (12 mm)

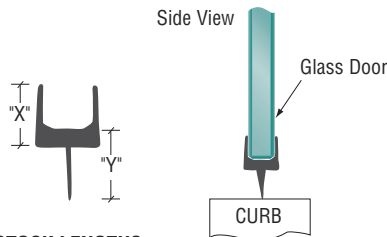
Minimum order:1 each.



CRL One-Piece Bottom Rail With Clear Wipe

- Single-Piece Bottom Sweep

This ultra clear One-Piece Bottom Rail is snapped on the bottom of the door to achieve a seal. Because it is a single piece sweep, it means the vinyl seal that hangs down from the sweep will firmly direct the water back into the shower enclosure.



98" (2.49 M) STOCK LENGTHS

CAT. NO.	"X"	"Y"	GLASS THICKNESS
P501BR	7/16" (11 mm)	7/16" (11 mm)	3/8" (10 mm)
P661BR	1/2" (12 mm)	7/16" (11 mm)	1/2" (12 mm)

Minimum order:1 each.



All Seals and Wipes can be combined for quantity pricing. Packing Charge added to orders fewer than 10 combined lengths.

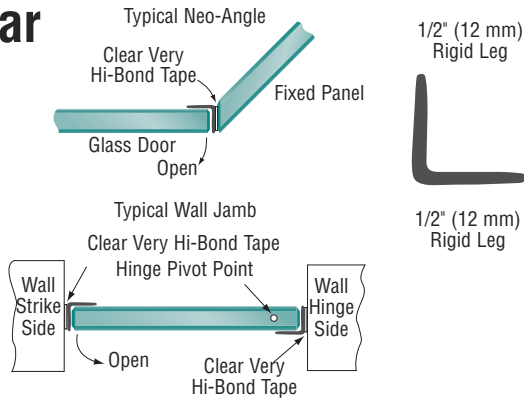
CRL WATER SEALS AND SWEEPS

For Pricing Visit crlaurence.com or Call Us Toll Free at the Phone Numbers Shown on the Back Cover

CRL Multi-Purpose Clear Strike Angle Jamb

- Multiple Uses for Versatility
- Commonly Used in 135 Degree Neo-Angle Applications

This clear Angle Jamb is used for both hinge and strike jambs. It can be adhered to the wall or a fixed panel using our Clear Very Hi-Bond Tape (see page 327J). It is also commonly used as a jamb for neo-angle installations when a clean look is most desired.



1/2" (12 mm)
Rigid Leg

1/2" (12 mm)
Rigid Leg



98" (2.49 M) STOCK LENGTHS

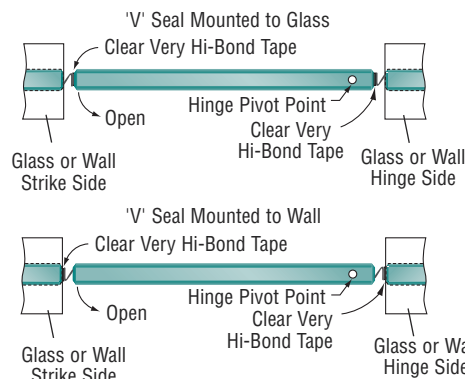
CAT. NO.	GLASS THICKNESS
P12LJ	1/4" (6 mm) to 1/2" (12 mm)

Minimum order: 1 each.

CRL Translucent Vinyl Edge 'V' Seal

- Seals Gaps From 3/16" (5 mm) to 1/4" (6 mm)
- Now Available With or Without Clear Very High Bond Tape

Translucent 'V' Seals are used only on doors swinging one way to seal gaps from 3/16" (5 mm) to 1/4" (6 mm). Adhere 5/16" (8 mm) rigid leg to the glass edge or wall using our Clear Very Hi-Bond Tape (see page 327J). Door closes into soft vinyl leg.



5/16" (8 mm)
Soft Leg

5/16" (8 mm)
Rigid Leg



98" (2.49 M) STOCK LENGTHS

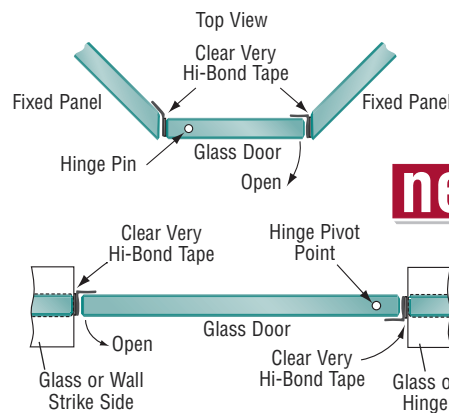
W/O TAPE CAT. NO.	WITH TAPE CAT. NO.	MAXIMUM GAP
SDTS	SDTST2	1/4" (6 mm)

Minimum order: 5 each.

CRL Translucent Vinyl 'L' Seal

- Now Available With or Without Clear Very High Bond Tape

Translucent 'L' Seals are offered in two sizes and rigidity. They should be used on outswinging doors only, and can be used on both hinge and strike side jambs. Cat. No. SDTNL has a slightly softer and shorter sealing leg than Cat. No. SDTL. Use Clear Very Hi-Bond Tape (see page 327J) to apply the rigid leg of the 'L' Seal to the surface. The soft leg of the 'L' will act as a seal, allowing for a quiet and forgiving door closure.



CAT. NO. SDTNL CAT. NO. SDTL

5/16" (8 mm)
Soft Leg

3/8" (10 mm)
Soft Leg

5/16" (8 mm)
Rigid Leg

5/16" (8 mm)
Rigid Leg



98" (2.49 M) STOCK LENGTHS

W/O TAPE CAT. NO.	WITH TAPE CAT. NO.	MAXIMUM GAP
SDTNL	SDTNLT2	5/16" (8 mm)
SDTL	SDTLT2	3/8" (10 mm)

Minimum order: 5 each.

All Seals and Wipes can be combined for quantity pricing. Packing Charge added to orders fewer than 10 combined lengths.



C.R. LAURENCE COMPANY

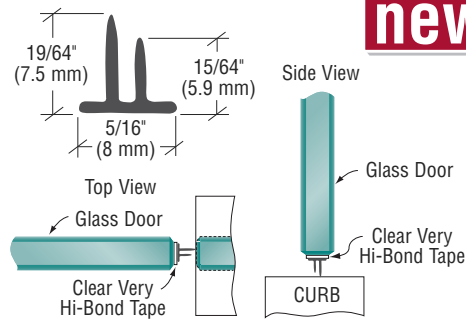
crlaurence.com | usalum.com

324J | crlaurence.ca crlaurence.com.au crlaurence.co.uk crlaurence.de crlaurence.eu

CRL Translucent Vinyl "Double Fin" Seal

- Different Length Fins Allow Versatility
- Now Available With or Without Clear Very High Bond Tape

Translucent "Double Fin" Seal can be used for inswing or outswing doors. The two different size fins allow the installer a choice of seal lengths. Use as is, or simply trim the fins as necessary. Adhere 5/16" (8 mm) rigid base to glass edge or wall using our Clear Very Hi-Bond Tape (see page 327J).



new



98" (2.49 M) STOCK LENGTHS

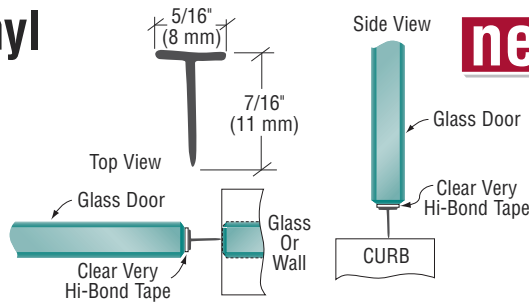
W/O TAPE CAT. NO.	WITH TAPE CAT. NO.	MAXIMUM GAP
SDTDF	SDTDF2	5/16" (8 mm)

Minimum order: 5 each. Must be ordered in increments of five.

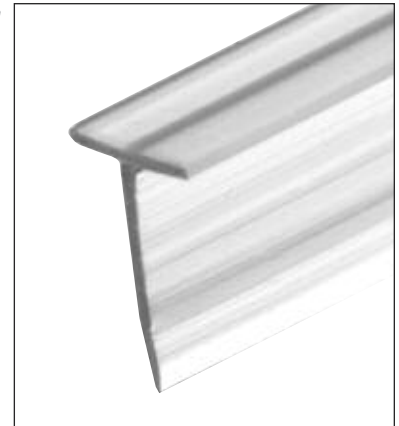
CRL Translucent Vinyl Edge 'T' Wipe

- Now Available With or Without Clear Very High Bond Tape

Translucent 'T' shaped Edge Wipe can be used on inswing or outswing doors. Fin closes gaps up to 7/16" (11 mm), and can be trimmed for smaller gaps. Adhere 5/16" (8 mm) rigid base to glass edge or wall using our Clear Very Hi-Bond Tape (see page 327J).



new



98" (2.49 M) STOCK LENGTHS

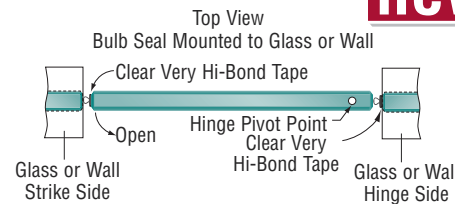
W/O TAPE CAT. NO.	WITH TAPE CAT. NO.	MAXIMUM GAP
SDTW	SDTWT2	7/16" (11 mm)

Minimum order: 5 each. Must be ordered in increments of five.

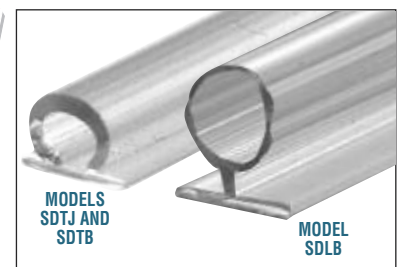
CRL Translucent Vinyl Bulb Seals

- Bulb Compresses When Door Closes
- Now Available With or Without Clear Very High Bond Tape

Translucent Vinyl Bulb Seal can be used on inswing or outswing doors. Cat. No. SDLB closes gaps from 3/16" (5 mm) to 3/8" (10 mm). Cat. No. SDTB closes gaps from 5/32" (4 mm) to 7/32" (5.6 mm). Cat. No. SDTJ closes gaps from 1/8" (3 mm) to 5/32" (4 mm). Adhere rigid flat base to glass edge or wall using our Clear Very Hi-Bond Tape (see page 327J).



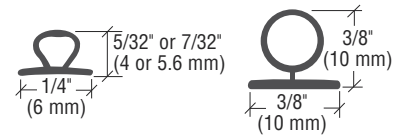
new



98" (2.49 M) STOCK LENGTHS

W/O TAPE CAT. NO.	WITH TAPE CAT. NO.	MAXIMUM GAP
SDTJ	SDTJT2	5/32" (4 mm)
SDTB	SDTBT2	7/32" (5.6 mm)
SDLB	---	3/8" (10 mm)

Minimum order: 5 each. Must be ordered in increments of five.



CRL Translucent Silicone Bulb Seal

- Can Be Used on Inswing and Outswing Doors

Translucent Silicone Bulb Seal can be used on inswing or outswing doors to close gaps from 1/16" (1.6 mm) to 3/16" (5 mm).

NOTE: Adhere flat base to glass edge or wall using clear silicone only, not tape.



98" (2.49 M) STOCK LENGTHS

CAT. NO.	MAXIMUM GAP
S1LB	3/16" (5 mm)

Minimum order: 5 each. Must be ordered in increments of five.



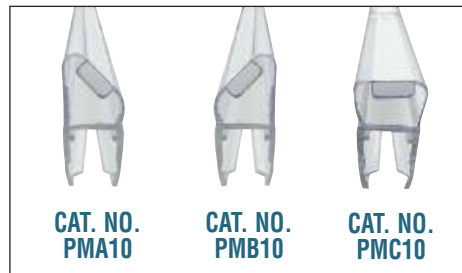
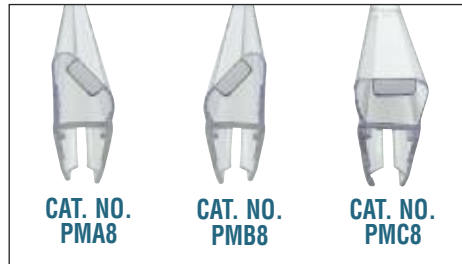
All Seals and Wipes can be combined for quantity pricing. Packing Charge added to orders fewer than 10 combined lengths.

CRL WATER SEALS AND SWEEPS

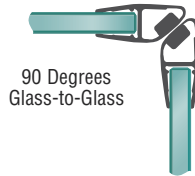
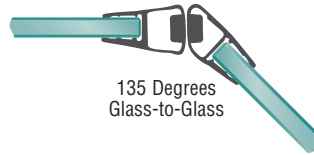
For Pricing Visit crlaurence.com or Call Us Toll Free at the Phone Numbers Shown on the Back Cover

CRL Magnetic Profiles for 1/4" to 3/8" (6 to 10 mm) Glass

- Made of Co-Extruded Plastic With Soft Magnetic Receiver
- Provide Positive Door Closure
- Mix and Match Configurations to Achieve Desired Result



Top Views



FOR 1/4" TO 5/16" (6 TO 8 MM) THICK GLASS

ANGLE	PROFILES REQUIRED	CONFIGURATION
180 Degrees	PMA8 + PMB8	Door swings in one direction only
180 Degrees	PMC8 + PMC8	Door swings in both directions
135 Degrees	PMA8 + PMC8	Door swings out only
90 Degrees	PMA8 + PMB8	Reverse for polarity-door swings out only

FOR 5/16" TO 3/8" (8 TO 10 MM) THICK GLASS

ANGLE	PROFILES REQUIRED	CONFIGURATION
180 Degrees	PMA10 + PMB10	Door swings in one direction only
180 Degrees	PMC10 + PMC10	Door swings in both directions
135 Degrees	PMA10 + PMC10	Door swings out only
90 Degrees	PMA10 + PMB10	Reverse for polarity-door swings out only

98" (2.49 M) STOCK LENGTHS

CAT. NO.	GLASS THICKNESS
PMA8	1/4" to 5/16" (6 to 8 mm)
PMB8	1/4" to 5/16" (6 to 8 mm)
PMC8	1/4" to 5/16" (6 to 8 mm)
PMA10	5/16" to 3/8" (8 to 10 mm)
PMB10	5/16" to 3/8" (8 to 10 mm)
PMC10	5/16" to 3/8" (8 to 10 mm)

Minimum order: 1 each.

All Seals and Wipes can be combined for quantity pricing. Packing Charge added to orders fewer than 10 combined lengths.

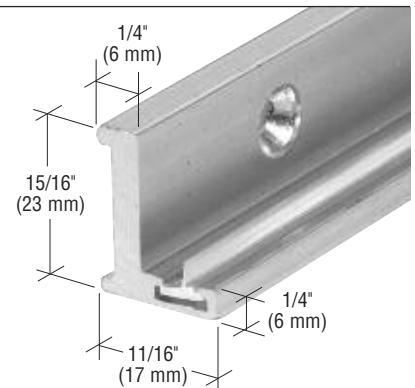
CRL Aluminum Jamb With Clear Vinyl Wipe

- For Use on Strike Side or Hinge Side of the Door Opening
- Available in Three Popular Finishes, and Two Sizes

This extruded Aluminum Jamb has a Clear Vinyl Wipe to provide water resistance when the door is closed. It can be used on the strike side of the door opening with any of our Frameless Shower Door Hinges. Also applicable to the hinge side when used with Top and Bottom Mount Pivot Hinges, such as the Prima, Senior Prima, Junior Prima, Cardiff, Senior Cardiff, Shell, and Rondo Series.



Top View of Glass Against Jamb



78" (1.98 M) CAT. NO.	98" (2.49 M) CAT. NO.	FINISH
AJ78BA	AJ98BA	Brite Anodized
AJ78BGA	AJ98BGA	Brite Gold Anodized
AJ78BN	AJ98BN	Brushed Nickel

Minimum order: 1 each. Sizes and Finishes can be combined for quantity pricing. Packing Charge added to orders fewer than 10 combined lengths.



C.R. LAURENCE COMPANY

crlaurence.com | usalum.com

326J | crlaurence.ca crlaurence.com.au crlaurence.co.uk crlaurence.de crlaurence.eu

CRL Very Hi-Bond Double-Sided Acrylic Adhesive Tape

- Specialty Tapes for the Fabrication of Shower Enclosures
- Excellent for Use With Seals and Wipes
- Instant Pressure Sensitive Bonding, With Full Strength in 72 Hours
- Transparent Water Clear or Translucent Color Choice

CRL Transparent Very Hi-Bond Double-Sided Acrylic Tape is used in adhesive applications involving glass or other clear materials, making it ideal for adhering Edge Wipes and Seals used in frameless shower installations.

CRL Translucent Very Hi-Bond Double-Sided Acrylic Tape is designed for a variety of applications, including skin-to-frame assemblies, furniture, appliances, and whenever a waterproof bond in a wide range of temperature conditions exist.



Full Size Roll

Mini Roll

TRANSPARENT TAPE

CAT. NO.	WIDTH	THICKNESS	ROLL LENGTH
AT04014	1/4" (6 mm)	.040" (1 mm)	108' (33 m)
AT0401436	1/4" (6 mm)	.040" (1 mm)	36' (11 m)
AT04012	1/2" (12 mm)	.040" (1 mm)	108' (33 m)
AT0401236	1/2" (12 mm)	.040" (1 mm)	36' (11 m)
AT02014	1/4" (6 mm)	.020" (.5 mm)	216' (66 m)
AT0201436	1/4" (6 mm)	.020" (.5 mm)	36' (11 m)

Minimum order: 1 roll. Sizes can be combined for quantity pricing.

TRANSLUCENT TAPE

CAT. NO.	WIDTH	THICKNESS	ROLL LENGTH
AT04512	1/2" (12 mm)	.045" (1.1 mm)	108' (33 m)
AT04534	3/4" (19 mm)	.045" (1.1 mm)	108' (33 m)
AT0451	1" (25 mm)	.045" (1.1 mm)	108' (33 m)
AT0452	2" (51 mm)	.045" (1.1 mm)	108' (33 m)

Minimum order: 1 roll. Sizes can be combined for quantity pricing.

CRL Transparent and Translucent Adhesive Tapes

- Instantly Adheres Wipes and Seals Evenly and Securely
- 3M® VHB® Tape Attains Full Strength Within 72 Hours



Transparent 3M® VHB® Double-Sided Tape (Used to Adhere to Wipes and Seals)



Transparent 3M® Single-Sided Tape (Protects Against Glass-to-Glass Chipping)



CRL Translucent Double-Sided Tape (Used to Adhere Wipes and Seals)

CAT. NO.	DESCRIPTION	WIDTH	THICKNESS	ROLL LENGTH
491014	Transparent Double-Sided	1/4" (6 mm)	.040" (1 mm)	108' (33 m)
491012	Transparent Double-Sided	1/2" (12 mm)	.040" (1 mm)	108' (33 m)
491034	Transparent Double-Sided	3/4" (19 mm)	.040" (1 mm)	45' (14 m)
490514	Transparent Double-Sided	1/4" (6 mm)	.020" (.5 mm)	216' (66 m)
867238	Transparent Single-Sided	3/8" (10 mm)	.006" (.15 mm)	108' (33 m)
SDT51660	Translucent Double-Sided	5/16" (8 mm)	.005" (.13 mm)	180' (55 m)

Minimum order: 1 roll. Sizes can be combined for quantity pricing.

Transparent 3M® VHB® Double-Sided Adhesive Tape

Clear 3M® VHB® (Very High Bond) Tape is a double-sided adhesive ideal for adhering Edge Wipes and Seals. Available in 1/4" or 1/2" (6 or 12 mm) widths, this tape features instant bonding, with full strength attained within 72 hours.

Transparent 3M® Single-Sided Adhesive Tape

Many installations may require a buffer to protect glass-to-glass contact when a double opposed miter on the strike side is required. This transparent 6 mil thick Tape adheres to the miter, and acts as a cushion to protect against chipping.

Translucent CRL Double-Sided Adhesive Tape

This Tape provides a translucent appearance, and is an excellent choice to adhere Edge Wipes and Seals.

CRL Blue Joint Framing Tape

- Ideal for Framing Tooled Silicone Joints
- Available in Four Widths



This Blue Joint Framing Tape is a crepe paper tape with built-in UV resistance. Excellent for use as a masking tape around tooled silicone joints in frameless shower door applications.

CAT. NO.	WIDTH	ROLL LENGTH
BL9934	3/4" (19 mm)	180' (55 m)
BL991	1" (25 mm)	180' (55 m)
BL99112	1-1/2" (38 mm)	180' (55 m)
BL992	2" (51 mm)	180' (55 m)

Minimum order: 1 roll. Sizes can be combined for quantity pricing.

3M and VHB are registered trademarks of 3M Company Corp.

new

CRL Essence Series Rolling Shower Door System (Without Header)

- Headerless System Offers Popular Frameless Look
- Bottom Rolling System Has Integrated Height Adjustment
- Rollers Include Anti-Derail/Anti-Pinch Guard
- Choice of Rounded or Square Style Roller System
- For Use Only With 1/2" (12 mm) Thick Tempered Glass (Not Included)

Our new Essence Series allows a headerless appearance by utilizing a bottom rolling system that includes an anti-derail/anti-pinch guard feature. The bottom rollers also have an integrated height adjustment for door to vertical jamb alignment. By being completely header-free, a frameless vertical and horizontal appearance is achieved. Smooth and quiet operation of the door is the cornerstone of this bottom rolling unit. At the same time, excellent water management is accomplished at the sill via the bottom track, and vertically with the use of a clear L-shape jamb.

With your separate addition of a free standing shower head and valves, new configurations are possible, such as beautiful island designs, U-shaped designs, and L-shaped designs with unconventionally placed plumbing walls.

The Essence Series Frameless Sliding Shower Door System is for use only with 1/2" (12 mm) thick tempered safety glass (not included). It is stocked in four popular finishes, with a choice of rounded or square corner rollers.

Sold in a Basic Kit that allows both 180 degree and 90 degree installations, the user simply orders the necessary Brackets, and Handle or Knob separately to complete the installation. See the important **HOW TO ORDER** section at the bottom right of this page.

SPECIFICATIONS:

Glass Thickness Range: 1/2" (12 mm) Tempered Safety Glass (Not Included)

Material: Rollers and Top Guide (Solid Brass); Bottom Sliding Track and U-Channel (Aluminum); L-Jamb (Polycarbonate)

Maximum Door Size:

Do Not Exceed Either 34" (864 mm) Wide or 127 Pounds (57.6 kg)

Basic Kit Fabrication:

Notch Required for Bottom Rollers, Holes Required for Top Guide

NOTE: Wall Mount and Glass-to-Glass Brackets also Require

Glass Fabrication (see crlaurence.com for details)



Plumbing Fixture Not Included



Rounded Roller Style



Square Corner Roller Style

FINISHES:



BASIC ESS1 OR ESS3 KITS INCLUDE THE FOLLOWING:

- Two - Bottom Rollers
- One - Spanner Wrench for Roller Adjustment
- One - Top Door Guide
- One - 64" (1.63 m) Bottom Track
- One - 98" (2.49 m) U-Channel
- One - 98" (2.49 m) Plastic L-Seal
- One - SDCEC12 End Cap for Channel
- One - 1/16" (1.6 mm) Neoprene Setting Block

NOTE: Glass Brackets, Handle or Knob, and Other Accessories Sold Separately

HOW TO ORDER FOR 180 DEGREE WALL-TO-WALL INSTALLATION:

1. Order Basic ESS1 (Rounded) or ESS3 (Square Cornered) Kit in Your Choice of Finish
2. Order Two Each CL90S (Rounded) or GE90S (Square Cornered) Wall Mount Brackets
3. Order Your Choice of Handle or Knob for Door
4. Order Any Other Accessories You May Want for the Enclosure

HOW TO ORDER FOR 90 DEGREE RETURN PANEL INSTALLATION:

1. Order Basic ESS1 (Rounded) or ESS3 (Square Cornered) Kit in Your Choice of Finish
2. Order Two Each CL90S (Rounded) or GE90S (Square Cornered) Wall Mount Brackets plus Two Each CL090 (Rounded) or GE090 (Square Cornered) Glass-to-Glass Brackets
3. Order Your Choice of Handle or Knob for Door
4. Order Any Other Accessories You May Want for the Enclosure

POLISHED CHROME CAT. NO.	BRUSHED NICKEL CAT. NO.	POLISHED BRASS CAT. NO.	OIL RUBBED BRONZE CAT. NO.	DESCRIPTION
ESS1CH	ESS1BN	ESS1BR	ESS1ORB	Basic Rounded Roller Style Essence Kit
ESS3CH	ESS3BN	ESS3BR	ESS3ORB	Basic Square Cornered Roller Style Essence Kit
BR4CH	BR4BN	BR4BR	BR4ORB	Replacement Rounded Style Bottom Roller
SR4CH	SR4BN	SR4BR	SR4ORB	Replacement Square Cornered Bottom Roller
TG4CH	TG4BN	TG4BR	TG4ORB	Replacement Top Guide
BT4CH	BT4BN	BT4BR	BT4ORB	64" (1.63 m) Replacement Bottom Track
SDCD12BA	SDCD12BN	SDCD12BGA	SDCD12ORB	98" (2.49 m) Replacement U-Channel
DK98L	DK98L	DK98L	DK98L	98" (2.49 m) Replacement Clear Plastic L-Seal

Minimum order: 1 each. **NOTE:** Glass Brackets, Door Handle or Knob, and Other Items Sold Separately

CRL Essence Series Rolling Shower Door System (With Header)

new

- Header System Allows for Use of 3/8" or 1/2" (10 or 12 mm) Thick Tempered Glass (Not Included)
- Bottom Rolling System Has Integrated Height Adjustment
- Rollers Include Anti-Derail/Anti-Pinch Guard
- Choice of Rounded or Square Cornered Roller System

Our new Essence Series Sliding Door System With Header adds to CRL's growing line of modern systems. The Header is supported by the fixed panel glass with the use of attractive thru-glass fittings. The bottom rolling system has an integrated height adjustment for door to vertical jamb alignment. The Bottom Rollers also include an anti-derail/anti-pinch guard feature. Smooth and quiet door operation is the cornerstone of the Essence Series. At the same time, water management is accomplished at the sill via the bottom track, and vertically with the use of a clear L-shape jamb.

The Essence Sliding Door System With Header is sold in a Basic Kit that allows 180 degree installations. For 90 degree installations a 90RF Return Fitting must be ordered as well. A choice of rounded or square cornered design rollers allows aesthetic matching to the bathroom surroundings.

This System may be used with 3/8" or 1/2" (10 or 12 mm) thick tempered safety glass. It is stocked in four popular finishes in a choice of 60" or 84" (1.52 or 2.13 m) length Kits. See the important **HOW TO ORDER** section at the bottom right of this page.

SPECIFICATIONS:

Glass Thickness Range: 3/8" or 1/2" (10 or 12 mm)

Thick Tempered Safety Glass (Not Included)

Material: Extrusions (Aluminum); Bottom Rollers and Top Guide (Solid Brass); L-Jamb (Polycarbonate)

Recommended Maximum Slider Sizes:

3/8" (10 mm) Glass: 34" (864 mm) Wide or 109 Pounds (49 kg);

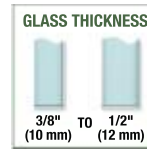
1/2" (12 mm) Glass: 34" (864 mm) Wide or 127 Pounds (58 kg)

Basic Kit Fabrication:

Notch Required for Bottom Rollers, Holes Required for Top Guide;

Holes Required for 180 Degree and 90 Degree Thru Glass Fittings.

(see crlaurence.com for details)



Plumbing Fixture Not Included



Rounded Roller Style



Square Corner Roller Style

FINISHES:



BASIC 180 DEGREE KIT INCLUDES THE FOLLOWING:

One - 60" (1.52 m) or 84" (2.13 m) Header
One - Pack of Two BWB2 Header Mounting Brackets

Two - Bottom Rollers

One - Spanner Wrench for Roller Adjustment
One - Top Guide/Roller

One - 60" (1.52 m) or 84" (2.13 m) Bottom Track

One - 98" (2.49 m) U-Channel

One - 98" (2.49 m) Plastic L-Seal

Two - 180 Degree Fixed Glass Fittings

One - SDCEC12 or SDCEC38 End Cap for Channel

One - 1/16" (1.6 mm) Neoprene Setting Block

NOTE: Handle or Knob and Other Accessories Sold Separately

POLISHED CHROME CAT. NO.	BRUSHED NICKEL CAT. NO.	POLISHED BRASS CAT. NO.	OIL RUBBED BRONZE CAT. NO.	DESCRIPTION
ESS560CH	ESS560BN	ESS560BR	ESS560RB	60" (1.52 m) Basic 180° Rounded Style Essence Kit With Header
ESS584CH	ESS584BN	ESS584BR	ESS584RB	84" (2.13 m) Basic 180° Rounded Style Essence Kit With Header
ESS760CH	ESS760BN	ESS760BR	ESS760RB	60" (1.52 m) Basic 180° Square Style Essence Kit With Header
ESS784CH	ESS784BN	ESS784BR	ESS784RB	84" (2.13 m) Basic 180° Square Style Essence Kit With Header
BR4CH	BR4BN	BR4BR	BR40RB	Replacement Rounded Style Bottom Roller
SR4CH	SR4BN	SR4BR	SR40RB	Replacement Square Style Bottom Roller
HTG4BN	HTG4BN	HTG4BN	HTG4BN	Top Guide Roller (Brushed Nickel Only - Not Exposed)
FGF4CH	FGF4BN	FGF4BR	FGF40RB	Replacement 180 Degree Fixed Glass Fitting
90RFCH	90RFBN	90RFBR	90RF0RB	90 Degree Return Fitting
ESSH60CH	ESSH60BN	ESSH60BR	ESSH600RB	60" (1.52 m) Replacement Header/Header Cover
ESSH84CH	ESSH84BN	ESSH84BR	ESSH840RB	84" (2.13 m) Replacement Header/Header Cover
BT484CH	BT484BN	BT484BR	BT4840RB	84" (2.13 m) Replacement Bottom Track
SDCD38BA	SDCD38BN	SDCD38BGA	SDCD380RB	98" (2.49 m) Replacement U-Channel for 3/8" (10 mm)
SDCD12BA	SDCD12BN	SDCD12BGA	SDCD120RB	98" (2.49 m) Replacement U-Channel for 1/2" (12 mm)
DK98L	DK98L	DK98L	DK98L	98" (2.49 m) Replacement Clear Plastic L-Seal

Minimum order: 1 each. **NOTE:** Glass Brackets, Door Handle or Knob, and Other Items Sold Separately

HOW TO ORDER FOR 180 DEGREE WALL-TO-WALL INSTALLATION:

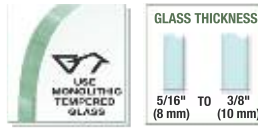
1. Order Basic 180 Degree Kit in Your Choice of Finish
2. Order Your Choice of Handle or Knob for Door
3. Order Any Other Accessories You May Want for the Enclosure

HOW TO ORDER FOR 90 DEGREE RETURN PANEL INSTALLATION:

1. Order Basic 180 Degree Kit in Your Choice of Finish
2. Order 90RF 90 Degree Return Fitting in Choice of Finish
3. Order Your Choice of Handle or Knob for Door
4. Order Any Other Accessories You May Want for the Enclosure

CRL Deluxe Serenity Series Sliding Shower Door Systems

new



- Unique 180 Degree System With Rollers Above and Below the Header Bar
- System Features One Sliding Door and One Fixed Panel
- Use of Minimal Hardware Gives Door an Almost Floating Appearance
- For 5/16" or 3/8" (8 or 10 mm) Thick Tempered Glass (Not Included)
- Specially Designed Roller Bearings Allow Easy Opening and Closing of Door
- Accessory Kit Available for 90 Degree Return Panels
- Choice of Durable Polished or Brushed Stainless Steel Finishes
- Fixed and Sliding Glass Panels are Reversible for Installation



Our new Deluxe Serenity Series Sliding Door System has an entirely different look from traditional sliding shower door systems. The use of minimal hardware provides a frameless look that gives the enclosure an almost floating appearance. Specially designed roller bearings allow for quiet, easy opening and closing of the door. This unique roller system operates above and below the header bar that spans the top of the enclosure. One sliding and one fixed panel make the 180 Degree Standard Kit beautiful and practical. The Kit includes all items pictured at bottom right of the page, with the exception of the 90 Degree Accessory Kit, which is purchased separately (see bottom left of page). The durable polished or brushed stainless steel units will work with 5/16" or 3/8" (8 or 10 mm) thick tempered glass (not included).

FINISHES:



glass magazine award winner

SPECIFICATIONS

Glass Thickness Range:

5/16" (8 mm) to 3/8" (10 mm)

Tempered Safety Glass (not included)

Material: Stainless Steel

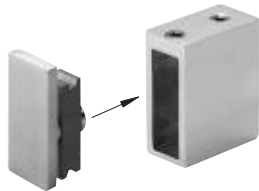
Maximum Door Size: Do Not Exceed

Either 30" (762 mm) Wide or 88 Pounds (40 kg)

Fabrication: Holes Required in Both Door and Fixed Panel (see crlaurence.com for details)

CAT. NO. SER90

Accessory Kit for 90 Degree Return is used in conjunction with Track Holder Fitting for Wall (sold separately, see right)



CAT. NO. SERAHW2

Track Holder Fitting for Wall is used in conjunction with 90 Degree Accessory Kit (sold separately, see left)

Standard 180 DEGREE Kit Includes:

- One - 78-3/4" (2 m) Length Header Bar
- Four - Rollers
- One - Stopper
- Two - Track Holder Fittings for Wall
- Two - Track Holder Fittings for Fixed Panel
- One - Thru-Glass Pull
- One - Door Guide
- One - 85" (2.16 m) Clear L-Jamb



Rollers



Stopper



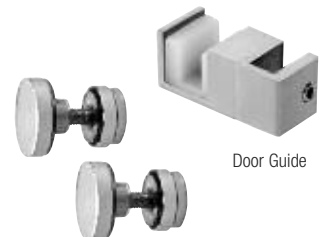
Thru-Glass Pull



Track Holder Fittings for Wall



L-Seal Clear Jamb



Track Holder Fittings for Fixed Panel

BRUSHED STAINLESS CAT. NO.	POLISHED STAINLESS CAT. NO.	DESCRIPTION
SER78BS	SER78PS	Standard 180 Degree Kit
SER90BS	SER90PS	90 Degree Accessory Kit
SERH2BS	SERH2PS	78-3/4" (2 m) Replacement Header Bar Only
SERNR1BS	SERNR1PS	Replacement Roller (1/Pack)
SERNS1BS	SERNS1PS	Replacement Stopper (1/Pack)
SERAHW2BS	SERAHW2PS	Track Holder Fittings For Wall (2/Pack)
SERFP2BS	SERFP2PS	Track Holder Fittings For Fixed Panel (2/Pack)
SERNG2BS	SERNG2PS	Replacement Door Guide (1/Pack)
SERNHP2BS	SERNHP2PS	Thru-Glass Pull
DK98L	DK98L	98" (2.49 m) Replacement Clear Plastic L-Seal

Minimum order: 1 each.



C.R. LAURENCE COMPANY

crlaurence.com | usalum.com

330J | crlaurence.ca crlaurence.com.au crlaurence.co.uk crlaurence.de crlaurence.eu

CRL SLIDING SHOWER DOOR KITS

For Pricing Visit crlaurence.com or Call Us Toll Free at the Phone Numbers Shown on the Back Cover

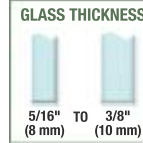
CRL Deluxe Serenity Series Double Door System

- Create an Attractive 90 Degree Double Door Corner System More Easily Than Ever Before
- Simply Purchase Two Serenity 180 Degree Kits and One 90 Degree Double Door Connector Bracket
- V-Corner Design Ideal for Smaller Bathrooms
- Choice of Polished or Brushed Stainless Steel Finishes

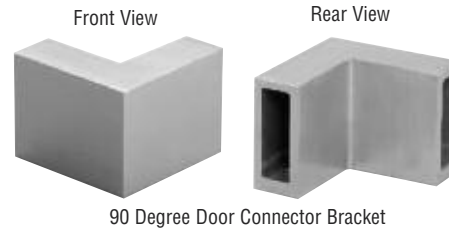
Creating a unique and attractive V-Corner shower enclosure is now easier than ever. Simply purchase two 180 Degree Serenity Series Sliding Systems (see page 330J), along with one 90 Degree Double Door Connector Bracket (see right). Combining the two sliding doors in a V-corner allows you to build a beautiful double door sliding enclosure even for smaller bathroom areas. A choice of beautiful and durable polished or brushed stainless steel finishes help to match most any modern bathroom décor.

No glass fabrication is required for the Connector Bracket itself. Minimum order is one each.

new



NOTE: Each Sliding Door Cannot Exceed 17" (432 mm) in width or 51 Pounds (23 kg)



CAT. NO. SERC2PS
Polished Stainless

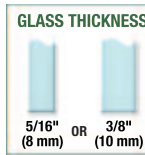
CAT. NO. SERC2BS
Brushed Stainless



CRL Hydroslide Sliding Shower Door Systems

- Excellent Design for Compact Areas
- Clean, Sleek Lines
- Accommodates a Wide Range of Shower Designs
- Quick and Easy Installation

FINISHES:



180 Degree Wall-to-Wall Installation
Uses our 180 Degree Standard Kit

CRL Hydroslide Sliding Shower Door Kits were designed for full standing showers or above bathtubs. The Hydroslide System can accommodate a wide range of shower designs with fixed glass panels on either end, or both sides at 90 or 180 degrees. The Hydroslide System also accommodates the option of floor-to-near-ceiling glass panels with a sliding door. Hydroslide Sliding Shower Door Kits feature the latest European 'all-glass' look. Kits are available in either 60" (1.52 m) or 84" (2.13 m) widths. Installers can cut the width to size, and height is optional as long as the sliding door glass weighs less than 88 pounds (40 kg).

The 180 Degree Wall-to-Wall Installation only requires the 180 Degree Standard Kit for the installation. The 90 Degree Wall-to-Glass Installation requires the 180 Degree Standard Kit, plus the 90 Degree Wall-to-Glass Accessory Kit. Individual or replacement parts can also be ordered from the next page. Hydroslide Kits come in four finishes: Chrome Fittings with a Brite Anodized Sliding Track, Polished Brass with a Brite Gold Anodized Sliding Track, Brushed Nickel with Brushed Nickel Anodized Sliding Track, and Oil Rubbed Bronze with Oil Rubbed Bronze Anodized Sliding Track. Each Kit comes with complete fabrication and installation instructions.

NOTE: Bottom Fixed Glass Attachments, Handles or Knobs must be ordered separately.

180 DEGREE STANDARD KITS

CONSIST OF:

- One - Sliding Glass Door Upper Track
- Two - Hangers for Sliding Glass Door
- Two - Sliding Glass Door Rollers
- Two - Sliding Glass Door Roller Stops
- One - Sliding Glass Door Floor Guide (HYD03)
- Two - 90 Degree Wall-to-Upper Track Connectors
- Two - 180 Degree Glass-to-Sliding Track Connectors
- One - 36" (.91 m) Half-Round SDT980 Threshold
- One - 98" (2.49 m) DK98L L-Seal for Wall

*90 DEGREE WALL-TO-GLASS

ACCESSORY KITS CONSIST OF:

- One - 90 Degree Glass-to-Sliding Track Connector
- One - 90 Degree Wall-to-Glass Bracket

*90 Degree Units require that you order one 180 Degree Standard Kit plus one 90 Degree Accessory Kit

HYDROSLIDE SLIDING SHOWER DOOR KITS

180 DEGREE STANDARD KIT 60" (1.52 M) CAT. NO.	180 DEGREE STANDARD KIT 84" (2.13 M) CAT. NO.	90 DEGREE WALL-TO-GLASS ACCESSORY KIT CAT. NO.	FINISH
HYDK60CH	HYDK84CH	HYDA9CH	Brite Anodized/Chrome
HYDK60BR	HYDK84BR	HYDA9BR	Brite Gold Anodized/Brass
HYDK60BN	HYDK84BN	HYDA9BN	Brushed Nickel
HYDK60RB	HYDK84RB	HYDA9RB	Oil Rubbed Bronze

Minimum order: 1 each.

SPECIFICATIONS:

Glass Thickness Range: 5/16" (8 mm) to 3/8" (10 mm)

Tempered Safety Glass (Not Included)

Material: Plated or Lacquered Solid Brass Fittings;

Anodized Aluminum Sliding Door Track

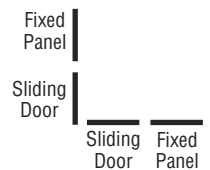
Maximum Door Size: 88 lbs (40 kg)

Fabrication: Holes Required in Fixed Panel and Door

Includes: Gaskets, Screws, and Glass Fabrication Information.

Complete installation instructions along with glass and metal cutting formula available at crlaurence.com.

NOTE: Ask our Shower Door Technical Sales Department about a special Installation using two Hydroslide Kits, along with our HYDH90 90 Degree Bracket (see next page) to allow two doors to meet at a 90 Degree Corner.



90 Degree Wall-to-Glass Installation
Uses our 180 Degree Standard Kit plus a 90 degree Wall-to-Glass Accessory Kit

CRL Hydroslide System Components

Sliding Shower Door Upper Track

The extruded aluminum Sliding Shower Door Upper Track is available in two lengths and four finishes. You can easily cut to length for your installation. Longer lengths available on special order.

BRITE ANODIZED CAT. NO.	BRITE GOLD ANODIZED CAT. NO.	BRUSHED NICKEL ANODIZED CAT. NO.	OIL RUBBED BRONZE CAT. NO.	LENGTH
HYD60BA HYD84BA	HYD60BGA HYD84BGA	HYD60BN HYD84BN	HYD60ORB HYD84ORB	60" (1.52 m) 84" (2.13 m)

Minimum order: 1 each.



1-11/16"
(43 mm)
Height

Hydroslide component parts can be ordered as replacement parts, or you can order the individual parts to fabricate your own custom installation

Sliding Door Hanger Kit

Kit consists of two Rollers, two Glass Hangers, and two Snap-In Screw Covers.



CAT. NO.	FINISH
HYD01CH	Polished Chrome
HYD01BR	Polished Brass
HYD01BN	Brushed Nickel
HYD01ORB	Oil Rubbed Bronze

Minimum order: 1 pack.

180 Degree Glass-to-Sliding Track Connector

For attaching the fixed glass to the Sliding Shower Door Upper Track in 180 degree installations.



CAT. NO.	FINISH
HYDG180CH	Polished Chrome
HYDG180BR	Polished Brass
HYDG180BN	Brushed Nickel
HYDG180ORB	Oil Rubbed Bronze

Minimum order: 1 each.

90 Degree Glass-to-Sliding Track Connector

For attaching the fixed glass to the Sliding Shower Door Upper Track in 90 degree installations.

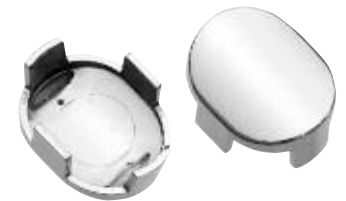


CAT. NO.	FINISH
HYDG90CH	Polished Chrome
HYDG90BR	Polished Brass
HYDG90BN	Brushed Nickel
HYDG90ORB	Oil Rubbed Bronze

Minimum order: 1 each.

Snap-In Screw Cover Kit

Kit consists of two Snap-In Screw Covers.



CAT. NO.	FINISH
HYD04CH	Polished Chrome
HYD04BR	Polished Brass
HYD04BN	Brushed Nickel
HYD04ORB	Oil Rubbed Bronze

Minimum order: 1 each.

90 Degree Wall-to-Glass Bracket

For securing a glass panel at 90 degrees to the wall. Includes two Screws and Snap-In Screw Covers.



CAT. NO.	FINISH
HYD05CH	Polished Chrome
HYD05BR	Polished Brass
HYD05BN	Brushed Nickel
HYD05ORB	Oil Rubbed Bronze

Minimum order: 1 each.

Roller Stop Kit

Kit consists of two Roller Stops and Screws.



CAT. NO.	COLOR
HYD02	Black

Minimum order: 1 each.

90 Degree Wall-to-Upper Track Connector

For attaching the Sliding Shower Door Upper Track to a wall at 90 degrees.



CAT. NO.	FINISH
HYDW90	Mill

Minimum order: 1 each.

90 Degree Hydroslide Header Bracket

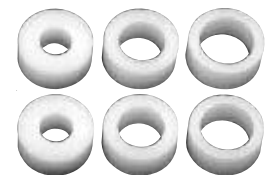
To be used when two Hydroslide doors come together in a 90 degree corner. **NOTE:** Sliding panels not to exceed 17" (432 mm) in width. Minimum order is one each.



CAT. NO. HYDH90

White Bushing Spacer Pack

A White Bushing Spacer Pack is included in each Hydroslide Sliding Shower Door Kit, but this replacement pack is available if needed. Two each of three different sizes are used to help fill the holes drilled in glass and prevent slippage. Minimum order is one pack.



CAT. NO. HYDS

CRL Hydroslide System Components

Sliding Door Floor Guide Kit

Kit consists of one Floor Guide and two Screws.

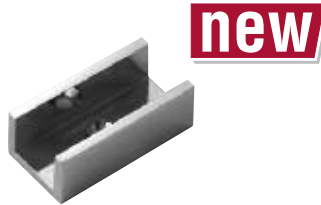


CAT. NO.	FINISH
HYD03CH	Polished Chrome
HYD03BR	Polished Brass
HYD03BN	Brushed Nickel
HYD03ORB	Oil Rubbed Bronze

Minimum order: 1 each.

Sliding Door Guide

Allows the use of our HYD98 Bottom Sweep (sold separately).

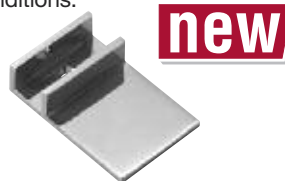


CAT. NO.	FINISH
HYD08CH	Polished Chrome
HYD08BR	Polished Brass
HYD08BN	Brushed Nickel
HYD08ORB	Oil Rubbed Bronze

Minimum order: 1 each.

Sliding Door Offset Guide

Allows the use of our HYD98 Bottom Sweep (sold separately). Offset to assist with uneven curb conditions.



CAT. NO.	FINISH
HYD09CH	Polished Chrome
HYD09BR	Polished Brass
HYD09BN	Brushed Nickel
HYD09ORB	Oil Rubbed Bronze

Minimum order: 1 each.

Bottom Sweep

Fits in both our HYD08 and HYD09 Guides, minimizing water leakage. Sold in 98" (2.49 m) stock lengths. Minimum order is one each.



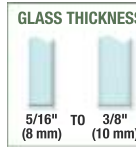
CAT. NO. HYD98

CRL Hydroslide Bi-Fold Hinges

new

- Wall Mount and Glass-to-Glass Models
- Allow Door to Bi-Fold Into Enclosure
- Four Finishes to Match Hydroslide System

These Hydroslide Bi-Fold Hinges add a different element to the already popular Hydroslide System. Instead of a standard sliding door, you can now "Bi-Fold" two folding panels of glass into the shower enclosure, creating a larger opening than the single sliding door will allow. Made of solid brass and available in four popular finishes. Upper Track, Hanger, and Wall-to-Upper Track Connectors are all sold separately.



Panels "Fold" Into the Shower

FINISHES:



MODEL HYDH037
Glass-to-Wall Mount



MODEL HYDH180
180 Degree
Glass-to-Glass



Hydroslide Bi-Fold Hinges require holes in the glass

SPECIFICATIONS:

Glass Thickness: 5/16" (8 mm) to 3/8" (10 mm)
Tempered Safety Glass

Material: Solid Brass

Hinge Swings: Bi-Fold into Shower Enclosure

Closing Type: Free Swinging

Holes Required in Glass

Includes: Gaskets, Screws, and Glass Fabrication Dimensions

Maximum Capacities: Do not Exceed Either 48" (1219 mm) or 100 lbs. (45 kg) for Both Folding Doors Combined. Use Two Hinges Only on Each Folding Panel.

GLASS-TO-WALL CAT. NO.	180° GLASS-TO-GLASS CAT. NO.	FINISH
HYDH037CH	HYDH180CH	Polished Chrome
HYDH037BN	HYDH180BN	Brushed Nickel
HYDH037BR	HYDH180BR	Polished Brass
HYDH037ORB	HYDH180ORB	Oil Rubbed Bronze

Minimum order: 1 each. All Frameless Shower Door Hinges can be combined for quantity pricing. Other finishes available on special order. **NOTE:** All Shower Door Hinges are sold by the each, not in pairs. Be sure to order a minimum of two each hinges to install one door.

CRL Cabo Soft Slide Shower Door System

new

- Featuring the New Softbrake Braking System
- Hardware for One Sliding Door and One Fixed Panel
- Concealed Overhead Roller Design
- Mounts Wall-to-Wall or Wall-to-Glass
- For Use With 5/16", 3/8" or 1/2" (8, 10 or 12 mm) Tempered Glass (Not Included)
- Can Accommodate Doors Weighing Up to 176 Pounds (80 kg)
- Available in Five Finishes, With Custom Finishes Available

The Cabo Soft Slide Shower Door System is the first to offer the Softbrake Braking System on a frameless sliding shower door, ensuring that you do not have to worry about the door slamming open or closed. Softbrake cushions the opening and closing of the door gently, quietly, and is completely concealed inside the header. Softbrake engages during the last 4" (100 mm) of door travel, preventing the glass from impacting the frame or adjacent glass panel.

The Cabo Soft Slide Series has two clamp cover designs (rounded or square), and is available in five architectural finishes.

Each Kit comes complete with a Header, two Top Clamps, a Bottom Guide, a Wall Seal, and a Half-Round Threshold. Bottom fixed Glass Attachments, Handles, or Knobs must be ordered separately. **NOTE:** Tempered glass is not included.

SPECIFICATIONS:

Glass Thickness Range: 5/16" (8 mm) to 1/2" (12 mm)
Tempered Safety Glass (Not Included)

Material: Anodized Aluminum

Maximum Door Weight: 176 lbs (80 kg)

Finished Opening Size: Minimum 60" (1.52 m) Wide;
Maximum 84" (2.13 m) Wide

Fabrication: Holes Required in Sliding Door

Includes: Gaskets, Screws, and Glass Fabrication Information



FINISHES:



Rounded Clamp Style



Square Clamp Style



Plumbing Fixture Not Included



Bottom Floor Guide Included



Square Clamp Shown on Sliding Panel

84" (2.13 M) 180 DEGREE KITS WITH HEADERS

ROUNDED CLAMP CAT. NO.	SQUARE CLAMP CAT. NO.	FINISH
CABR84CH	CABS84CH	Polished Chrome
CABR84SA	CABS84SA	Satin Anodized
CABR84BN	CABS84BN	Brushed Nickel
CABR84BR	CABS84BR	Polished Brass
CABR84DU	CABS84DU	Duranodic Bronze

Minimum order: 1 each. **NOTE:** Glass Brackets, Door Handle or Knob, and Other Items Sold Separately.

OPTIONAL 90 DEGREE RETURN BRACKET

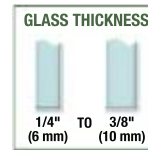
CAT. NO.	FINISH
CAB90CH	Polished Chrome
CAB90SA	Satin Anodized
CAB90BN	Brushed Nickel
CAB90BR	Polished Brass
CAB90DU	Duranodic Bronze

Minimum order: 1 each.

CRL Cottage "CK" Series Sliding Shower Door Kits With Clear Side Jambs

More Glass! Less Metal!

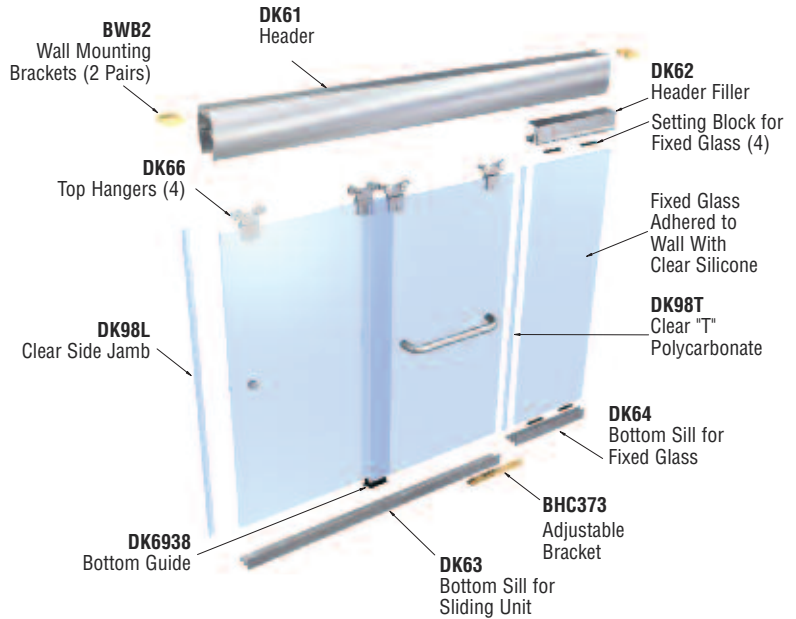
- Utilizes Clear Polycarbonate Side Jambs Instead of Traditional Metal Jambs



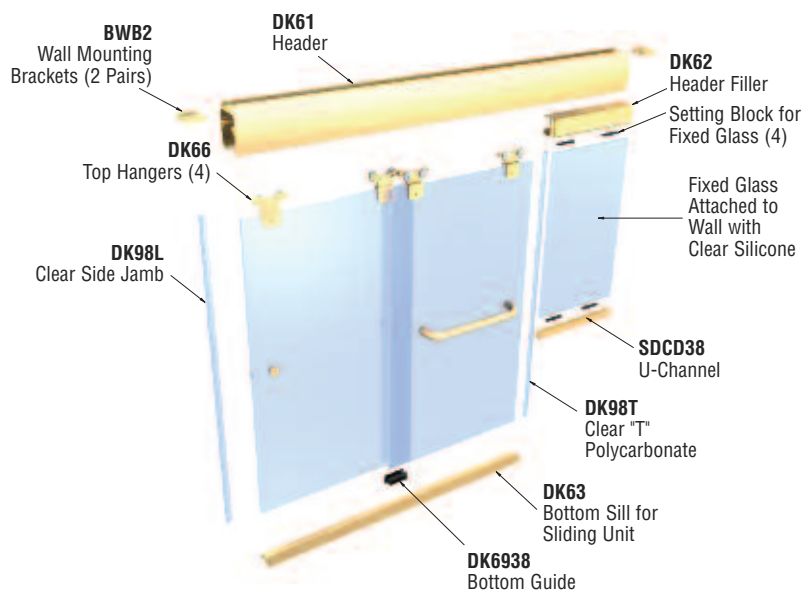
See the Next Three Pages for Diagrams and Details for Our Cottage "CK" Series Clear Jamb Sliding Frameless Door System



Typical View of a Custom Inline Cottage "CK" Series Shower Door Unit With Clear Side Jambs and an Adjacent Full Length Fixed Glass Panel. Example Shown is for use With 3/8" (10 mm) Tempered Glass



Typical View of a Custom Inline Cottage "CK" Series Shower Door Unit With Clear Side Jambs and an Adjacent Fixed Glass Panel on a Pony Wall. Example Shown is for use With 3/8" (10 mm) Tempered Glass



CRL Cottage "CK" Series Sliding Shower Door Kits With Clear Side Jambs

- Designed for Use With 1/4" or 3/8" (6 or 10 mm) Tempered Glass
- Bolt-Through Top Hangers Allow Immediate Fabrication and Installation
- Brite Anodized, Brite Gold Anodized, Brushed Nickel, and Oil Rubbed Bronze in Up to Six Stock Sizes
- Custom Units Also Available

Cottage "CK" Series Sliders are unique in that they utilize clear polycarbonate side jambs instead of traditional metal side jambs, thus providing more of the popular 'all-glass' look. Bolt-Through Top Hangers allow immediate fabrication and installation, with no waiting for messy adhesive to dry.

Cottage "CK" Series Kits come in Brite Anodized, Brite Gold Anodized, Brushed Nickel, and Oil Rubbed Bronze finishes, with other finishes available on special order. The top hung stock units include: Header, Top Hangers for 1/4" or 3/8" (6 or 10 mm) glass,

SPECIFICATIONS:

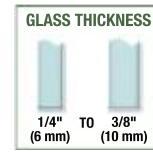
Material: Extrusions (Aluminum); Side Jambs (Polycarbonate); Towel Bar (Brass Tubing); Knob (Solid Brass)

Glass Thickness: 1/4" (6 mm) and 3/8" (10 mm) (Glass not included in Kit)

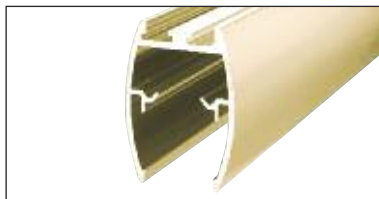
Glass Fabrication: Towel Bar – Two 1/2" (12 mm) Diameter Holes, 24" (610 mm) Center-to-Center; Knob – One 1/2" (12 mm) Diameter Hole; Top Hangers – Four 1/2" (12 mm) Diameter Holes (two per glass panel)

Clear Polycarbonate Side Jambs, Bottom Sill, Back-to-Back Knob, 24" (610 mm) Towel Bar, Nylon Rollers, Bottom Guide, Screws, and Bumpers. Tempered glass and silicone sealant are supplied by the installer to complete the installation. Since all rollers are overhead, the Bottom Sill and Clear Side Jambs are uncluttered, making cleaning easy.

Available in up to six stock sizes. Extrusions, Bottom Guide, Hardware Packages, and other accessories may be ordered separately as well (see next two pages).



See Individual Components on Next Two Pages, if Desiring to Fabricate Units Yourself



Header



Bottom Sill



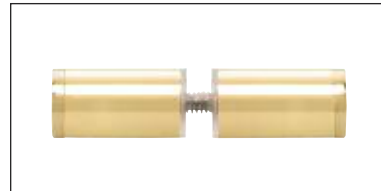
Clear Polycarbonate Side Jamb



Top Hanger for 1/4" (6 mm) Glass



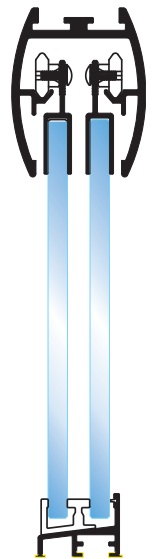
Top Hanger for 3/8" (10 mm) Glass



Back-to-Back Knob (with Plastic Sleeve)



24" (610 mm) Towel Bar



BRITE ANODIZED CAT. NO.	BRUSHED NICKEL CAT. NO.	BRITE GOLD ANODIZED CAT. NO.	OIL RUBBED BRONZE CAT. NO.	GLASS THICKNESS	SIZE (WIDTH X HEIGHT)
CK386060BA	CK386060BN	CK386060BGA	CK386060ORB	3/8" (10 mm)	60" x 60" (1.52 x 1.52 m)
CK386072BA	CK386072BN	CK386072BGA	CK386072ORB	3/8" (10 mm)	60" x 72" (1.52 x 1.83 m)
CK386080BA	CK386080BN	CK386080BGA	CK386080ORB	3/8" (10 mm)	60" x 80" (1.52 x 2.03 m)
CK387260BA	CK387260BN	CK387260BGA	CK387260ORB	3/8" (10 mm)	72" x 60" (1.83 x 1.52 m)
CK387272BA	CK387272BN	CK387272BGA	CK387272ORB	3/8" (10 mm)	72" x 72" (1.83 x 1.83 m)
CK387280BA	CK387280BN	CK387280BGA	CK387280ORB	3/8" (10 mm)	72" x 80" (1.83 x 2.03 m)
CK146060BA	CK146060BN	CK146060BGA	CK146060ORB	1/4" (6 mm)	60" x 60" (1.52 x 1.52 m)
CK146072BA	CK146072BN	CK146072BGA	CK146072ORB	1/4" (6 mm)	60" x 72" (1.52 x 1.83 m)
CK147260BA	CK147260BN	CK147260BGA	CK147260ORB	1/4" (6 mm)	72" x 60" (1.83 x 1.52 m)

Minimum order: 1 each. Kits can be combined for quantity pricing.

CRL Cottage "CK" Series Sliding Shower Door Components

- Individual Supplementary Extrusions and Hardware Components to Convert Our Frameless Shower Door Kits Into Angled Enclosures or Wider Inline Units
- Brite Anodized, Brite Gold Anodized, Brushed Nickel, and Oil Rubbed Bronze Finishes to Match Our Kits
- Do It Yourself, or You Can Send Us a Drawing to Customize a Unit for You



Cottage "CK" Series components were especially designed by CRL to add versatility to our Frameless Sliding Shower Door Kits. They allow the option of adding additional panels to create a designer enclosure, or simply construct your own sliding unit by combining the various parts. Stock lengths of Headers, Header Fillers, Bottom Sills, and Clear Polycarbonate Vertical Jamb, along with Top Hangers and other accessory items round out the items available.

Use these components to build the enclosure you desire, or we can assist with your design. Fax us a drawing (with dimensions) of the shower opening and we will put together a customized kit for you. The Kit will include everything you will need (except the glass and the silicone). Installation instructions are included in each custom kit.

NOTE: All fixed panels of glass must be 3/8" (10 mm) thick.



SPECIFICATIONS

Material: Extrusions (Aluminum), Jamb Seals (Polycarbonate), Towel Bar (Brass Tubing), Knob (Solid Brass)

Glass Thicknesses: 1/4" (6 mm) and 3/8" (10 mm) (Glass not included)

Recommended Maximum Slider Sizes: 1/4" (6 mm) Glass:

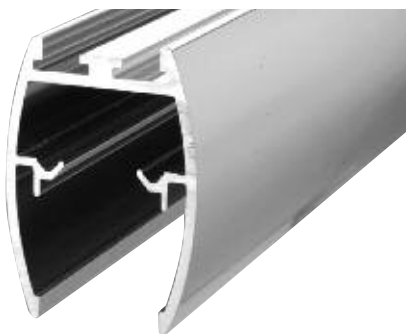
60" W x 72" H or 72" W x 60" H; 3/8" (10 mm) Glass: 72" W x 80" H

Glass Fabrication: Towel Bar – Two 1/2" (12 mm) Diameter Holes, 24" (610 mm) Center-to-Center; Knob – One 1/2" (12 mm) Diameter Hole; Top Hangers – Four 1/2" (12 mm) Diameter Holes (two per glass panel)

DIMENSIONAL DRAWINGS OF "CK" SERIES COMPONENTS

Items may be viewed on crlaurence.com by entering catalog number CK386060BA into the 'Search Area', then clicking on "Technical Drawings". At that point you may view the PDF File. You may also contact CRL Shower Technical Sales for further information.

- Top Header Extrusion Acts as a Crown, and is Used in All Cottage Series Applications



Header
Model DK61 = 72" (1.83 m)
Model DK61144 = 144" (3.66 m)

72" (1.83 M) CAT. NO.	144" (3.66 M) CAT. NO.	FINISH
DK61BA	DK61144BA	Brite Anodized
DK61BN	DK61144BN	Brushed Nickel
DK61BGA	DK61144BGA	Brite Gold Anodized
DK61ORB	DK61144ORB	Oil Rubbed Bronze

Minimum order: 1 each. Extrusions may be combined for quantity pricing. 144" (3.66 m) length must ship common carrier, or may be cut for UPS. Cutting charge will apply.

- Bottom Sill Extrusion Used in All Cottage Series Applications

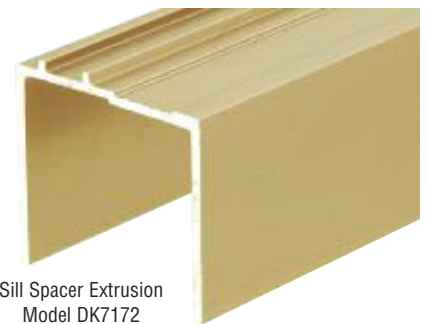


Bottom Sill
Model DK63 = 72" (1.83 m)
Model DK63144 = 144" (3.66 m)

72" (1.83 M) CAT. NO.	144" (3.66 M) CAT. NO.	FINISH
DK63BA	DK63144BA	Brite Anodized
DK63BN	DK63144BN	Brushed Nickel
DK63BGA	DK63144BGA	Brite Gold Anodized
DK63ORB	DK63144ORB	Oil Rubbed Bronze

Minimum order: 1 each. Extrusions may be combined for quantity pricing. 144" (3.66 m) length must ship common carrier, or may be cut for UPS. Cutting charge will apply.

- Bottom Sill Spacer Can Be Cut at a Taper to Bring the Bottom Sill to a Level Position



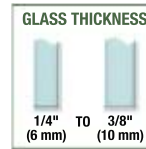
Sill Spacer Extrusion
Model DK7172
72" (1.83 m)

This Bottom Sill Spacer is used in situations where the tub is not level across the front. It can be cut at a taper to accommodate the difference. It is used in conjunction with the DK63 Series Bottom Sill.

72" (1.83 M) CAT. NO.	CUSTOM TAPER* CAT. NO.	FINISH
DK7172BA	DK71BA	Brite Anodized
DK7172BN	DK71BN	Brushed Nickel
DK7172BGA	DK71BGA	Brite Gold Anodized
DK7172ORB	DK71ORB	Oil Rubbed Bronze

Minimum order: 1 each. Extrusions may be combined for quantity pricing. *Custom fabrication available. Contact CRL Shower Technical Sales for further information.

CRL Cottage "CK" Series Sliding Shower Door Components



SPECIFICATIONS:

Material: Extrusions (Aluminum), Jamb Seals (Polycarbonate), Towel Bar (Brass Tubing), Knob (Solid Brass)

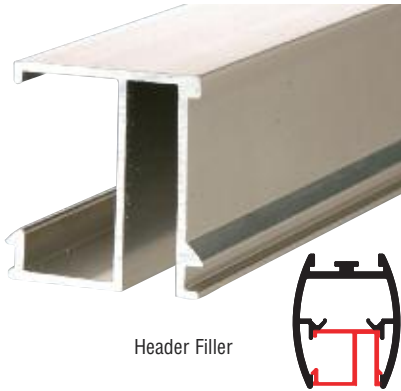
Glass Thickness: 1/4" (6 mm) and 3/8" (10 mm) (Glass not included)

Recommended Maximum Slider Sizes: 1/4" (6 mm) Glass: 60" W x 72" H or 72" W x 60" H; 3/8" (10 mm) Glass: 72" W x 80" H

Glass Fabrication: Towel Bar – Two 1/2" (12 mm) Diameter Holes, 24" (610 mm) Center-to-Center;

Knob – One 1/2" (12 mm) Diameter Hole; Top Hangers – Four 1/2" (12 mm) Diameter Holes (two per glass panel)

• Header Filler Used Where Fixed Panels are Located



Header Filler

72" (1.83 M) CAT. NO.	144" (3.66 M) CAT. NO.	FINISH
DK62BA	DK62144BA	Brite Anodized
DK62BN	DK62144BN	Brushed Nickel
DK62BGA	DK62144BGA	Brite Gold Anodized
DK62ORB	DK62144ORB	Oil Rubbed Bronze

Minimum order: 1 each. Extrusions may be combined for quantity pricing. 144" (3.66 m) length must ship common carrier, or may be cut for UPS. Cutting charge will apply.

• Roller Bracket Assembly Used in Cottage Series Applications



Top Hanger for 3/8" (10 mm) Glass Model DK66

Top Hanger for 1/4" (6 mm) Glass Model DK67

3/8" (10 MM) CAT. NO.	1/4" (6 MM) CAT. NO.	FINISH
DK66BA	DK67BA	Brite Anodized
DK66BN	DK67BN	Brushed Nickel
DK66BGA	DK67BGA	Brite Gold Anodized
DK66ORB	DK67ORB	Oil Rubbed Bronze

Minimum order: 1 each.

• Sidelite Sill Used in Cottage Series Applications Where Fixed Panel is Same Height as Doors



Sidelite Sill

72" (1.83 M) CAT. NO.	144" (3.66 M) CAT. NO.	FINISH
DK64BA	DK64144BA	Brite Anodized
DK64BN	DK64144BN	Brushed Nickel
DK64BGA	DK64144BGA	Brite Gold Anodized
DK64ORB	DK64144ORB	Oil Rubbed Bronze

Minimum order: 1 each. Extrusions may be combined for quantity pricing. 144" (3.66 m) length must ship common carrier, or may be cut for UPS. Cutting charge will apply.

• Standard 24" BMNW24 Towel Bar and SDKP112 Back-to-Back Knob (See pages 260J-265J for Alternate Towel Bar Sizes and Selections)



Towel Bar Model BMNW24

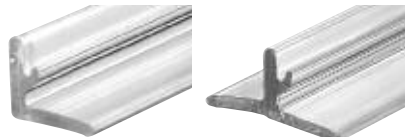


Back-to-Back Knob (with Plastic Sleeve) Model SDKP112

TOWEL BAR CAT. NO.	KNOB CAT. NO.	FINISH
BMNW24CH	SDKP112CH	Polished Chrome
BMNW24BN	SDKP112BN	Brushed Nickel
BMNW24BR	SDKP112BR	Polished Brass
BMNW24ORB	SDKP112ORB	Oil Rubbed Bronze

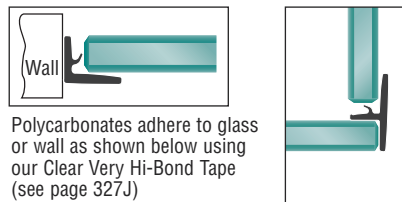
Minimum order: 1 each. Finishes may be combined for quantity pricing. Other lengths Towel Bars are available on page 261J.

• Vinyl Seals Used Glass-to-Glass or Glass-to-Wall



L-Shaped Clear Polycarbonate Model DK98L

T-Shaped Clear Polycarbonate Model DK98T

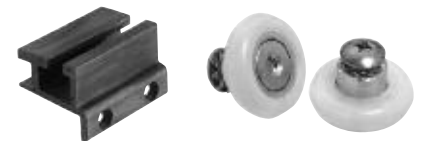


Polycarbonates adhere to glass or wall as shown below using our Clear Very Hi-Bond Tape (see page 327J)

CAT. NO.	SIZE	STYLE
DK98L	98" (2.49 m)	L-Shaped Vinyl
DK98T	98" (2.49 m)	T-Shaped Vinyl

Minimum order: 1 each. Vinyl Seals may be combined for quantity pricing.

• Guide for Glass, Rollers, and Hardware Required for Cottage Applications



Bottom Guide Model DK69

Rollers Model DKR78



Hardware Pack Model DK68

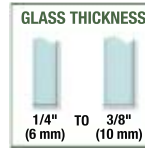
CAT. NO.	DESCRIPTION
DK6938	Bottom Guide for 3/8" (10 mm) Glass
DK6914	Bottom Guide for 1/4" (6 mm) Glass
DKR78	Attachment Rollers (2 per pack)
DK68B	Brite Anodized and Brushed Nickel Hardware Pack
DK68G	Brite Gold Anodized Hardware Pack
DK68BL	Oil Rubbed Bronze Hardware Pack

Minimum order: 1 each.

CRL SLIDING SHOWER DOOR KITS

For Pricing Visit crlaurence.com or Call Us Toll Free at the Phone Numbers Shown on the Back Cover

CRL "DK" Cottage Series Sliding Shower Door Kits With Metal Side Jambs

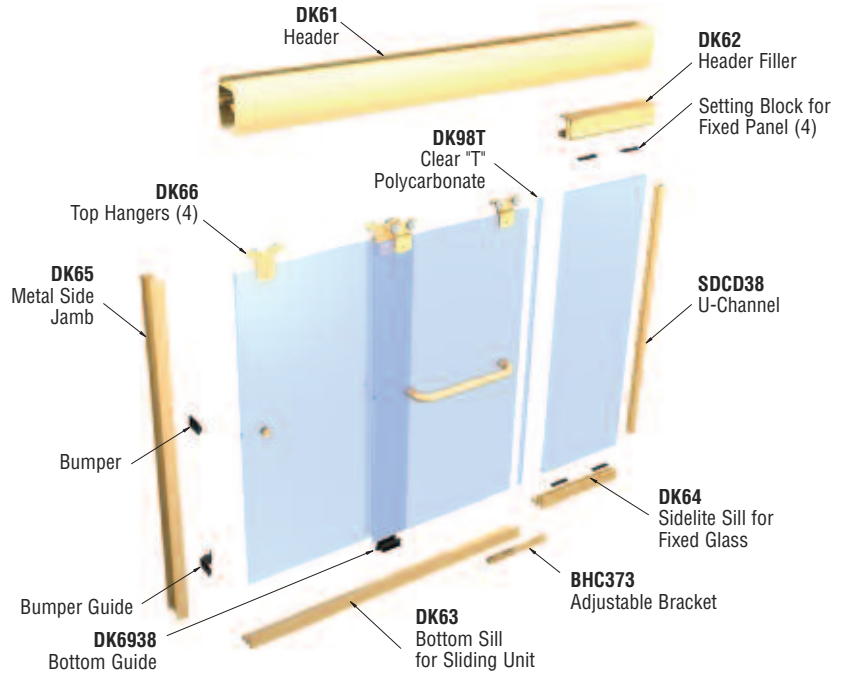


- Metal Side Jambs Allow Matching of All Extrusions for a Truly Beautiful and Functional Enclosure

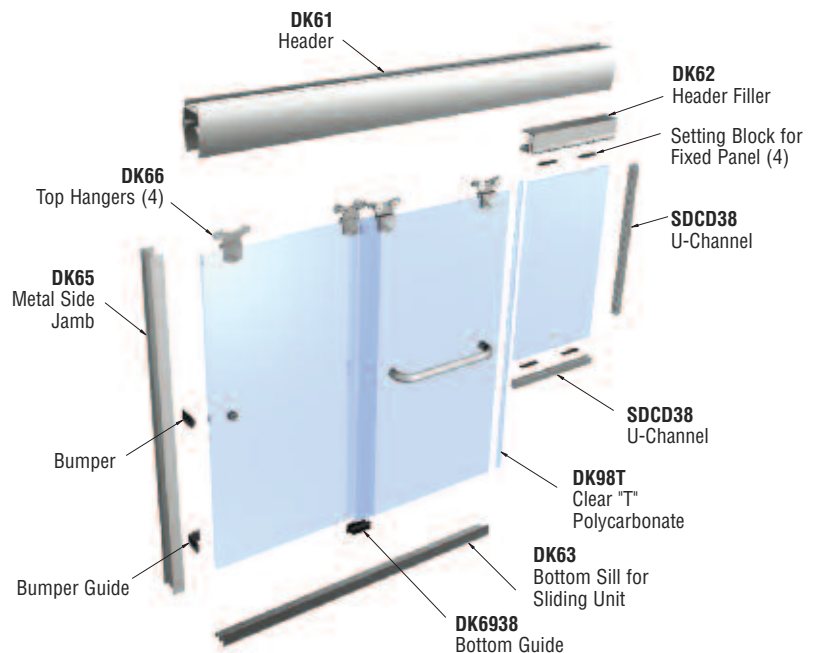
See the Next Three Pages for Diagrams and Details for Our "DK" Cottage Series Metal Jamb Sliding Frameless Door System



Typical View of a Custom Inline "DK" Cottage Series Shower Door Unit With Metal Side Jamb and an Adjacent Full Length Fixed Glass Panel. Example Shown is for use With 3/8" (10 mm) Tempered Glass.



Typical View of a Custom Inline "DK" Cottage Series Shower Door Unit With Metal Side Jamb and an Adjacent Fixed Glass Panel on a Pony Wall. Example Shown is for use With 3/8" (10 mm) Tempered Glass.

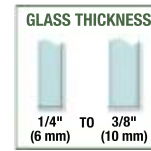


C.R. LAURENCE COMPANY

crlaurence.com | usalum.com

340J | crlaurence.ca crlaurence.com.au crlaurence.co.uk crlaurence.de crlaurence.eu

CRL "DK" Cottage Series Sliding Shower Door Kits With Metal Side Jambs



See Individual Components on Next Two Pages, if Desiring to Fabricate Units Yourself

- Utilizes Traditional Metal Side Jambs
- Bolt-Through Top Hangers Allow Immediate Fabrication and Installation
- Designed for Use With 1/4" or 3/8" (6 or 10 mm) Tempered Glass
- Brite Anodized, Brite Gold Anodized, Brushed Nickel, and Oil Rubbed Bronze in Up to Six Stock Sizes
- Custom Units Also Available

"DK" Cottage Series Sliders utilize metal side jambs for a traditional frameless sliding shower door appearance. Bolt-Through Top Hangers allow immediate fabrication and installation, with no waiting for messy adhesive to dry.

Our "DK" Cottage Series Kits come in Brite Anodized, Brite Gold Anodized, Brushed Nickel, and Oil Rubbed Bronze finishes, with other finishes available on special order. The top hung stock units include: Extruded Aluminum Header, Side Jambs, and Bottom Sill; Top Hangers for 1/4" or 3/8" (6 or 10 mm) glass, Back-to-Back

SPECIFICATIONS

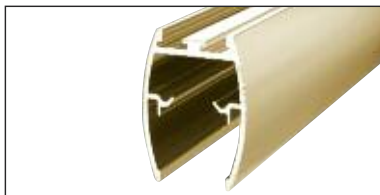
Material: Extrusions (Aluminum); Towel Bar (Brass Tubing); Knob (Solid Brass)

Glass Thickness: 1/4" and 3/8" (6 and 10 mm) (Glass not included in Kit)

Glass Fabrication: Towel Bar – Two 1/2" (12 mm) Diameter Holes, 24" (610 mm) Center-to-Center; Knob – One 1/2" (12 mm) Diameter Hole; Top Hangers – Four 1/2" (12 mm) Diameter Holes (two per glass panel)

Knob, 24" (610 mm) Towel Bar, Nylon Rollers, Bottom Guide, Screws, and Bumpers. Tempered glass and silicone sealant are supplied by the installer to complete the installation. Since all rollers are overhead, the Bottom Sill and Side Jambs are uncluttered, making cleaning easy.

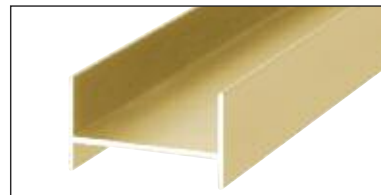
Available in up to six stock sizes. Extrusions, Bottom Guides, Hardware Packages, plus other accessories may be ordered separately (see next two pages). Custom units are available for special installations.



Header



Bottom Sill



Side Jamb



Top Hanger for 1/4" (6 mm) Glass



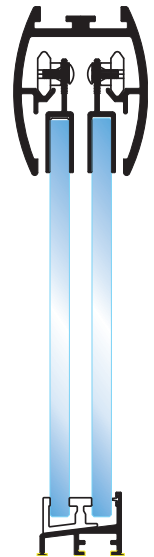
Top Hanger for 3/8" (10 mm) Glass



Back-to-Back Knob (with Plastic Sleeve)



24" (610 mm) Towel Bar



BRITE ANODIZED CAT. NO.	BRUSHED NICKEL CAT. NO.	BRITE GOLD ANODIZED CAT. NO.	OIL RUBBED BRONZE CAT. NO.	GLASS THICKNESS	SIZE (WIDTH X HEIGHT)
DK386060BA	DK386060BN	DK386060BGA	DK386060ORB	3/8" (10 mm)	60" x 60" (1.52 x 1.52 m)
DK386072BA	DK386072BN	DK386072BGA	DK386072ORB	3/8" (10 mm)	60" x 72" (1.52 x 1.83 m)
DK386080BA	DK386080BN	DK386080BGA	DK386080ORB	3/8" (10 mm)	60" x 80" (1.52 x 2.03 m)
DK387260BA	DK387260BN	DK387260BGA	DK387260ORB	3/8" (10 mm)	72" x 60" (1.83 x 1.52 m)
DK387272BA	DK387272BN	DK387272BGA	DK387272ORB	3/8" (10 mm)	72" x 72" (1.83 x 1.83 m)
DK387280BA	DK387280BN	DK387280BGA	DK387280ORB	3/8" (10 mm)	72" x 80" (1.83 x 2.03 m)
DK146060BA	DK146060BN	DK146060BGA	DK146060ORB	1/4" (6 mm)	60" x 60" (1.52 x 1.52 m)
DK146072BA	DK146072BN	DK146072BGA	DK146072ORB	1/4" (6 mm)	60" x 72" (1.52 x 1.83 m)
DK147260BA	DK147260BN	DK147260BGA	DK147260ORB	1/4" (6 mm)	72" x 60" (1.83 x 1.52 m)

Minimum order: 1 each. Kits can be combined for quantity pricing.

CRL "DK" Cottage Series Sliding Shower Door Components

- Individual Supplementary Extrusions and Hardware Components to Convert Our Frameless Shower Door Kits Into Angled Enclosures or Wider Inline Units
- Brite Anodized, Brite Gold Anodized, Brushed Nickel, and Oil Rubbed Bronze Finishes to Match Our Kits
- Do It Yourself, or You Can Send Us a Drawing to Customize a Unit for You

"DK" Cottage Series components were especially designed by CRL to add versatility to our Frameless Sliding Shower Door Kits. They allow the option of adding additional panels to create a designer enclosure, or simply construct your own sliding unit by combining the various parts. Stock lengths of Headers, Header Fillers, Side Jamb, Bottom Sills, Sidelite Sills, and Clear Polycarbonate Vertical Jamb, along with Top Hangers and other accessory items round out the items available.

Use these components to build the enclosure you desire, or we can assist with your design. Fax us a drawing (with dimensions) of the shower opening and we will put together a customized kit for you that will include everything you will need (except the glass and the silicone). Installation instructions are included in each custom kit.

NOTE: All fixed panels of glass must be 3/8" (10 mm) thick.



SPECIFICATIONS

Material: Extrusions (Aluminum), Towel Bar (Brass Tubing), Knob (Solid Brass),

Glass Thickness: 1/4" (6 mm) and 3/8" (10 mm) (Glass not included)

Recommended Maximum Slider Sizes: 1/4" (6 mm) Glass: 60" W x 72" H or 72" W x 60" H; 3/8" (10 mm) Glass: 72" W x 80" H

Glass Fabrication: Towel Bar – Two 1/2" (12 mm) Diameter Holes, 24" (610 mm) Center-to-Center; Knob – One 1/2" (12 mm) Diameter Hole; Top Hangers – Four 1/2" (12 mm) Diameter Holes (two per glass panel)



DIMENSIONAL DRAWINGS OF "DK" SERIES COMPONENTS

Items may be viewed on crlaurence.com by entering catalog number DK386060BA into the "Search Area", then clicking on "Technical Drawings". At that point you may view the PDF File. You may also contact CRL Shower Technical Sales for further information.

- Top Header Extrusion Acts as a Crown, and is Used in All Cottage Series Applications



Header

Model DK61 = 72" (1.83 m)
Model DK61144 = 144" (3.66 m)

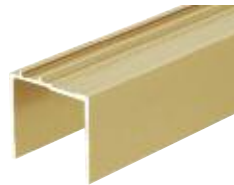
- Bottom Sill Extrusion Used in All Cottage Series Applications



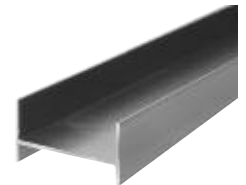
Bottom Sill

Model DK63 = 72" (1.83 m)
Model DK63144 = 144" (3.66 m)

- Simply Field Fabricate As Desired
- Bottom Sill Spacer Can Be Cut at a Taper to Bring the Bottom Sill to a Level Position
- Jamb Can Be Cut at a Taper to Fill Vertical Gap When Glass Should Have Been Cut Out of Square But Was Not



Sill Spacer Extrusion
Model DK7172 = 72" (1.83 m)



Jamb Spacer Extrusion
Model DK7080 = 80" (2.03 M)

72" (1.83 M) CAT. NO.	144" (3.66 M) CAT. NO.	FINISH
DK61BA	DK61144BA	Brite Anodized
DK61BN	DK61144BN	Brushed Nickel
DK61BGA	DK61144BGA	Brite Gold Anodized
DK61ORB	DK61144ORB	Oil Rubbed Bronze

Minimum order: 1 each. Extrusions may be combined for quantity pricing. 144" (3.66 m) length must ship common carrier, or may be cut for UPS. Cutting charge will apply.

72" (1.83 M) CAT. NO.	144" (3.66 M) CAT. NO.	FINISH
DK63BA	DK63144BA	Brite Anodized
DK63BN	DK63144BN	Brushed Nickel
DK63BGA	DK63144BGA	Brite Gold Anodized
DK63ORB	DK63144ORB	Oil Rubbed Bronze

Minimum order: 1 each. Extrusions may be combined for quantity pricing. 144" (3.66 m) length must ship common carrier, or may be cut for UPS. Cutting charge will apply.

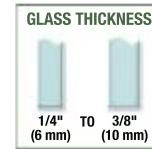
SILL SPACER CAT. NO.	JAMB CAT. NO.	FINISH
DK7172BA	DK7080BA	Brite Anodized
DK7172BN	DK7080BN	Brushed Nickel
DK7172BGA	DK7080BGA	Brite Gold Anodized
DK7172ORB	DK7080ORB	Oil Rubbed Bronze

Minimum order: 1 each. Extrusions may be combined for quantity pricing.

CRL SLIDING SHOWER DOOR COMPONENTS

For Pricing Visit crlaurence.com or Call Us Toll Free at the Phone Numbers Shown on the Back Cover

CRL "DK" Cottage Series Sliding Shower Door Components



SPECIFICATIONS:

Material: Extrusions (Aluminum), Towel Bar (Brass Tubing), Knob (Solid Brass)

Glass Thickness: 1/4" (6 mm) and 3/8" (10 mm) (Glass not included)

Recommended Maximum Slider Sizes: 1/4" (6 mm) Glass: 60" W x 72" H or 72" W x 60" H; 3/8" (10 mm) Glass: 72" W x 80" H

Glass Fabrication: Towel Bar – Two 1/2" (12 mm) Diameter Holes, 24" (610 mm) Center-to-Center;

Knob – One 1/2" (12 mm) Diameter Hole; Top Hangers – Four 1/2" (12 mm) Diameter Holes (two per glass panel)

• Header Filler Used Where Fixed Panels Are Located



Header Filler

72" (1.83 M) CAT. NO.	144" (3.66 M) CAT. NO.	FINISH
DK62BA	DK62144BA	Brite Anodized
DK62BN	DK62144BN	Brushed Nickel
DK62BGA	DK62144BGA	Brite Gold Anodized
DK62ORB	DK62144ORB	Oil Rubbed Bronze

Minimum order: 1 each. Extrusions may be combined for quantity pricing. 144" (3.66 m) length must ship common carrier, or may be cut for UPS. Cutting charge will apply.

• Side Jamb is Used Against the Vertical Wall in "DK" Series Slider Applications



Side Jamb

80" (2.03 M) CAT. NO.	144" (3.66 M) CAT. NO.	FINISH
DK65BA	DK65144BA	Brite Anodized
DK65BN	DK65144BN	Brushed Nickel
DK65BGA	DK65144BGA	Brite Gold Anodized
DK65ORB	DK65144ORB	Oil Rubbed Bronze

Minimum order: 1 each. Extrusions may be combined for quantity pricing. 144" (3.66 m) length must ship common carrier, or may be cut for UPS. Cutting charge will apply.

• Sidelite Sill Used in Cottage Series Applications Where Fixed Panel is Same Height as Doors



Sidelite Sill

72" (1.83 M) CAT. NO.	144" (3.66 M) CAT. NO.	FINISH
DK64BA	DK64144BA	Brite Anodized
DK64BN	DK64144BN	Brushed Nickel
DK64BGA	DK64144BGA	Brite Gold Anodized
DK64ORB	DK64144ORB	Oil Rubbed Bronze

Minimum order: 1 each. Extrusions may be combined for quantity pricing. 144" (3.66 m) length must ship common carrier, or may be cut for UPS. Cutting charge will apply.

• Roller Bracket Assembly Used in Cottage Series Applications



Top Hanger for 3/8" (10 mm) Glass Model DK66

Top Hanger for 1/4" (6 mm) Glass Model DK67



3/8" (10 MM) CAT. NO.	1/4" (6 MM) CAT. NO.	FINISH
DK66BA	DK67BA	Brite Anodized
DK66BN	DK67BN	Brushed Nickel
DK66BGA	DK67BGA	Brite Gold Anodized
DK66ORB	DK67ORB	Oil Rubbed Bronze

Minimum order: 1 each.

• Standard 24" BMWW24 Towel Bar and SDKP112 Back-to-Back Knob (See Pages 260J-265J for Alternate Towel Bar Sizes and Selections)



24" (610 mm) Towel Bar Model BMWW24



Back-to-Back Knob (with Plastic Sleeve) Model SDKP112

TOWEL BAR CAT. NO.	KNOB CAT. NO.	FINISH
BMWW24CH	SDKP112CH	Polished Chrome
BMWW24BN	SDKP112BN	Brushed Nickel
BMWW24BR	SDKP112BR	Polished Brass
BMWW24ORB	SDKP112ORB	Oil Rubbed Bronze

Minimum order: 1 each. Finishes may be combined for quantity pricing. Other Towel Bars lengths are available on page 261J.

• Guide for Glass, Rollers and Hardware Required for Cottage Applications



Bottom Guide Model DK69

Rollers Model DKR78



Hardware Pack Model DK68

CAT. NO.	DESCRIPTION
DK6938	Bottom Guide for 3/8" (10 mm) Glass
DK6914	Bottom Guide for 1/4" (6 mm) Glass
DKR78	Attachment Rollers (2 per pack)
DK68B	Brite Anodized and Brushed Nickel Hardware Pack
DK68G	Brite Gold Anodized Hardware Pack
DK68BL	Oil Rubbed Bronze Hardware Pack

Minimum order: 1 each.

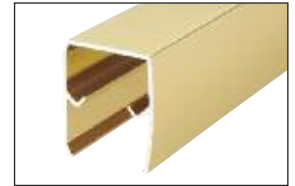
CRL Suite "EK" Series Frameless Sliding Shower Kits

- Designed for Use Only With 1/4" (6 mm) Tempered Glass
- Low Profile 2-9/16" (65 mm) Header is Reversible So You Can Expose Either the Curved or Flat Side
- Clamp-On Hanger Bracket Eliminates Glass Drilling

- Offered Only in Inline Units With Metal Side Jamb
- Brite Anodized, Brite Gold Anodized, Brushed Nickel, and Oil Rubbed Bronze in Two Stock Sizes
- Custom Size and Finish Units Also Available



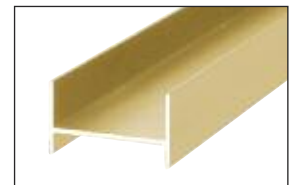
End View of Sliding Panels



Header



'No Drill' Top Hanger



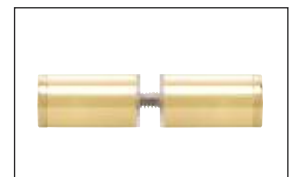
Side Jamb



Bottom Sill



Bottom Guide



Back-to-Back Knob (with Plastic Sleeve)

SPECIFICATIONS:

Material: Extrusions (Aluminum); Towel Bar (Brass Tubing); Knob (Solid Brass)

Glass Thickness: 1/4" (6 mm) (Glass not included in Kit)

Glass Fabrication: Towel Bar – Two 1/2" (12 mm) Diameter Holes, 24" (610 mm) Center-to-Center; Knob – One 1/2" (12 mm) Diameter Hole

Maximum Recommended Size: 60" W x 72" H (1.52 x 1.83 m)

The Suite "EK" Series Frameless Sliding Shower Door Kit for 1/4" (6 mm) thick glass provides an alternative design and mounting method to our Deluxe Cottage Series Sliders. The Hanger Bracket is a cost-reducing device, as it clamps directly onto the glass and eliminates the need for drilling holes (set screws only). The brackets allow for smooth, quiet operation and long service life at a lower cost.

The specially designed Header is only 2-9/16" (65 mm) tall. This reduces the profile of the top metal, and allows more of the frameless 'all-glass' look. It is reversible so the customer has the choice of using the gently curved side, or the flat side with top and bottom edge bevels.

The Suite "EK" Series is available exclusively with metal side jamb, does not offer the clear jamb system, and is available only for inline units. Kits with fixed panels are not available.

Two popular stock sizes are available: 60" W x 60" H (1.52 x 1.52 m) and 60" W x 72" H (1.52 x 1.83 m). Custom inline sizes are also available, but not to exceed 60" (1.52 m) wide or 72" (1.83 m) tall.

The Suite "EK" Series comes in four popular finishes. Custom finishes are available upon request.

CAT. NO.	SIZE (WIDTH X HEIGHT)	FINISH
EK146060BA	60" x 60" (1.52 x 1.52 m)	Brite Anodized
EK146060BN	60" x 60" (1.52 x 1.52 m)	Brushed Nickel
EK146060BGA	60" x 60" (1.52 x 1.52 m)	Brite Gold Anodized
EK146060ORB	60" x 60" (1.52 x 1.52 m)	Oil Rubbed Bronze
EK146072BA	60" x 72" (1.52 x 1.83 m)	Brite Anodized
EK146072BN	60" x 72" (1.52 x 1.83 m)	Brushed Nickel
EK146072BGA	60" x 72" (1.52 x 1.83 m)	Brite Gold Anodized
EK146072ORB	60" x 72" (1.52 x 1.83 m)	Oil Rubbed Bronze

ALL KITS INCLUDE: Aluminum Extrusions, 24" (610 mm) Towel Bar, Knob, Hardware Package, and Installation Instructions.



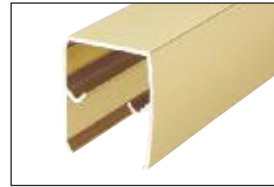
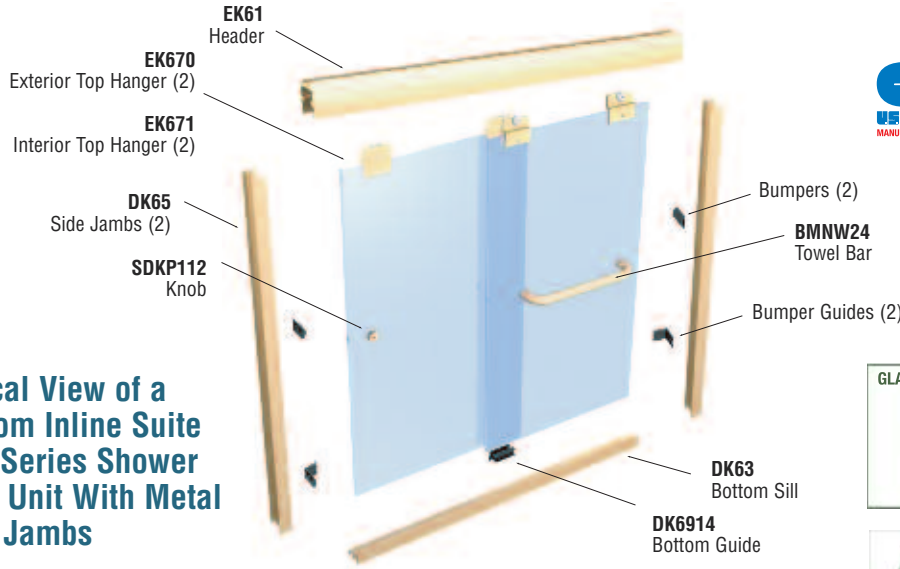
24" (610 mm) Towel Bar

Minimum order: 1 each. Finishes and sizes can be combined for quantity pricing.

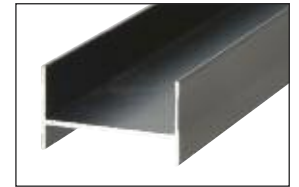
CRL Suite "EK" Series Frameless Sliding Shower Door Components

- Individual Supplementary Extrusions and Hardware Components to be Used for Replacement, or to Fabricate Your Own Kits
- Brite Anodized, Brite Gold Anodized, Brushed Nickel, and Oil Rubbed Bronze Finishes to Match Our Kits
- Custom Finishes Available Upon Request

• Typical View of a Custom Inline Suite "EK" Series Shower Door Unit With Metal Side Jamb



Header
Model EK61= 60" (1.52 m)
Model EK61121= 121" (3.07 m)



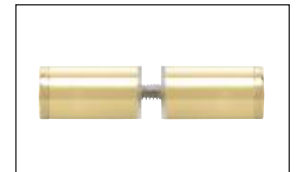
Side Jamb
Model DK65= 80" (2.03 m)
Model DK65144= 144" (3.66 m)



Bottom Sill
Model DK63= 72" (1.83 m)
Model DK63144= 144" (3.66 m)



Bottom Guide
Model DK6914



Back-to-Back Knob
(with Plastic Sleeve)



Exterior Top Hanger
Model EK670



Interior Top Hanger
Model EK671



Towel Bar
Model BMNW24

Component items for our Suite "EK" Series Frameless Sliding Shower Doors are ideal for use as replacement parts, or for units you wish to fabricate yourself. Stock lengths of the Extrusions, individual Towel Bars, Knobs, and accessory hardware provide all of the options you need to build your own inline enclosures for 1/4" (6 mm) glass. You can also send our Shower Technical Sales Department a drawing of the enclosure. They will be happy to quote a custom unit.

SPECIFICATIONS

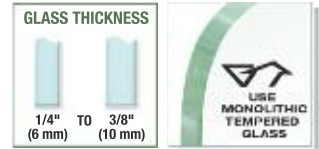
- Material:** Extrusions (Aluminum); Towel Bar (Brass Tubing); Knob (Solid Brass)
- Glass Thickness:** 1/4" (6 mm). (Glass not included)
- Glass Fabrication:** Towel Bar – Two 1/2" (12 mm) Diameter Holes, 24" (610 mm) Center-to-Center; Knob – One 1/2" (12 mm) Diameter Hole
- Maximum Recommended Size:** Not to exceed 60" W x 72" H (1.52 x 1.83 m)

COMPONENT DESCRIPTION	LENGTH	BRITE ANODIZED CAT. NO.	BRITE GOLD ANODIZED CAT. NO.	BRUSHED NICKEL CAT. NO.	OIL RUBBED BRONZE CAT. NO.
Header	60" (1.52 m)	EK61BA	EK61BGA	EK61BN	EK61ORB
Header	121" (3.07 m)	EK61121BA	EK61121BGA	EK61121BN	EK61121ORB
Exterior Top Hanger	---	EK670BA	EK670BGA	EK670BN	EK670ORB
Interior Top Hanger	---	EK671BA	EK671BGA	EK671BN	EK671ORB
Bottom Sill*	72" (1.83 m)	DK63BA	DK63BGA	DK63BN	DK63ORB
Bottom Sill*	144" (3.66 m)	DK63144BA	DK63144BGA	DK63144BN	DK63144ORB
Side Jamb*	80" (2.03 m)	DK65BA	DK65BGA	DK65BN	DK65ORB
Side Jamb*	144" (3.66 m)	DK65144BA	DK65144BGA	DK65144BN	DK65144ORB
Bottom Guide*	---	DK6914	DK6914	DK6914	DK6914
Towel Bar*	24" (610 mm)	BMNW24CH	BMNW24BR	BMNW24BN	BMNW24ORB
Knob*	---	SDKP112CH	SDKP112BR	SDKP112BN	SDKP112ORB
Hardware Package	---	EK68B	EK68G	EK68B	EK68BL

Minimum order: 1 each. *Common to both EK and DK Series. Finishes can be combined for quantity pricing.

CRL "MK" Series Sliding Shower Door Kits

- For 1/4" and 3/8" (6 and 10 mm) Glass
- Roller System Provides Smooth Gliding Panels With the Touch of a Finger
- Bonded Hanger System for Easy Installation
- Bolt-Through Hanger System Available on Special Order
- Custom Units Available



Our "MK" Series Frameless Slider Kits provide all the extrusions (Header, Top Hanger Rails, Bottom Track, and Side Jamb) necessary for installation, as well as a Towel Bar, Knob, Rollers, Guide, and Installation Hardware. The glass and silicone sealer are supplied by the installer. The easy to clean Bottom Track utilizes a center mounted guide. Each (rolling) panel has two self-leveling roller brackets and four premium quality rollers for quiet effortless panel movement. Available in custom sizes, configurations, and finishes on special order.

SPECIFICATIONS

Material: Extrusions (Aluminum); Towel Bar and Knob (Solid Aluminum)

For Glass Thickness: 1/4" (6 mm) or 3/8" (10 mm) (Glass not included in kit)

Stock Sizes Include: Aluminum Extrusions, 24" (610 mm) Towel Bar, Knob, Hardware Package, and Installation Instructions

Glass Fabrication: Towel Bar – Two 1/2" (12 mm) Diameter Holes, 24" (610 mm) Center-to-Center, Knob – One 1/2" (12 mm) Diameter Hole



COMPLETE "MK" SERIES SLIDER KITS FOR 1/4" (6 MM) GLASS

CAT. NO.	SIZE (WIDTH X HEIGHT)	FINISH
S146060BA	60" x 60" (1.52 x 1.52 m)	Brite Anodized
S146060BGA	60" x 60" (1.52 x 1.52 m)	Brite Gold Anodized
S146060BN	60" x 60" (1.52 x 1.52 m)	Brushed Nickel
S146060W	60" x 60" (1.52 x 1.52 m)	White
S146072BA	60" x 72" (1.52 x 1.83 m)	Brite Anodized
S146072BGA	60" x 72" (1.52 x 1.83 m)	Brite Gold Anodized
S146072BN	60" x 72" (1.52 x 1.83 m)	Brushed Nickel
S146072W	60" x 72" (1.52 x 1.83 m)	White

Minimum order: 1 each. Sizes and finishes can be combined for quantity pricing.

COMPLETE "MK" SERIES SLIDER KITS FOR 3/8" (10 MM) GLASS

CAT. NO.	SIZE (WIDTH X HEIGHT)	FINISH
S386060BA	60" x 60" (1.52 x 1.52 m)	Brite Anodized
S386060BGA	60" x 60" (1.52 x 1.52 m)	Brite Gold Anodized
S386060BN	60" x 60" (1.52 x 1.52 m)	Brushed Nickel
S386060W	60" x 60" (1.52 x 1.52 m)	White
S386072BA	60" x 72" (1.52 x 1.83 m)	Brite Anodized
S386072BGA	60" x 72" (1.52 x 1.83 m)	Brite Gold Anodized
S386072BN	60" x 72" (1.52 x 1.83 m)	Brushed Nickel
S386072W	60" x 72" (1.52 x 1.83 m)	White

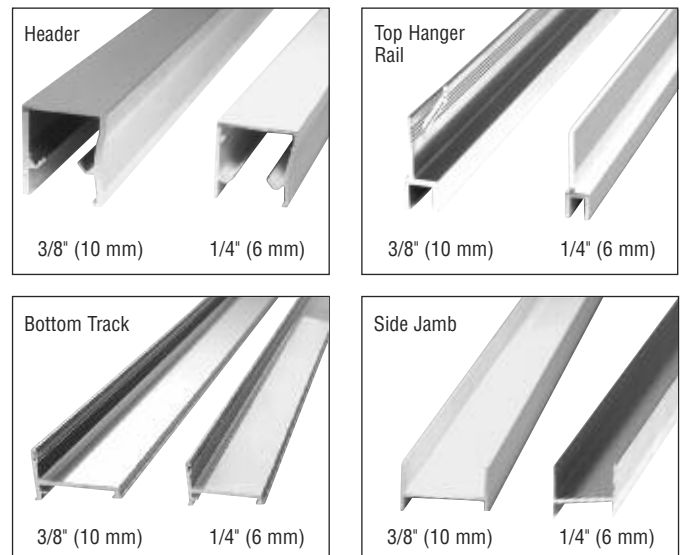
Minimum order: 1 each. Sizes and finishes can be combined for quantity pricing.

"MK" EXTRUSIONS AND ACCESSORIES

3/8" GLASS CAT. NO.	1/4" GLASS CAT. NO.	DESCRIPTION	FINISH
H72BA	H7214BA	72" (1.83 m) Header	Brite Anodized
H72BGA	H7214BGA	72" (1.83 m) Header	Brite Gold Anodized
H72BN	H7214BN	72" (1.83 m) Header	Brushed Nickel
H72W	H7214W	72" (1.83 m) Header	White
TR72BA	TR7214BA	72" (1.83 m) Top Hanger Rail	Brite Anodized
TR72BGA	TR7214BGA	72" (1.83 m) Top Hanger Rail	Brite Gold Anodized
TR72BN	TR7214BN	72" (1.83 m) Top Hanger Rail	Brushed Nickel
TR72W	TR7214W	72" (1.83 m) Top Hanger Rail	White
BT72BA Δ	BT72BA Δ	72" (1.83 m) Bottom Track	Brite Anodized
BT72BGA Δ	BT72BGA Δ	72" (1.83 m) Bottom Track	Brite Gold Anodized
BT72BN Δ	BT72BN Δ	72" (1.83 m) Bottom Track	Brushed Nickel
BT72W Δ	BT72W Δ	72" (1.83 m) Bottom Track	White
SJ72BA Δ	SJ72BA Δ	72" (1.83 m) Side Jamb	Brite Anodized
SJ72BGA Δ	SJ72BGA Δ	72" (1.83 m) Side Jamb	Brite Gold Anodized
SJ72BN Δ	SJ72BN Δ	72" (1.83 m) Side Jamb	Brushed Nickel
SJ72W Δ	SJ72W Δ	72" (1.83 m) Side Jamb	White
HP38BA	HP14BA	Hardware Package Only *	Brite Anodized
HP38BGA	HP14BGA	Hardware Package Only *	Brite Gold Anodized
HP38BN	HP14BN	Hardware Package Only *	Brushed Nickel
HP38W	HP14W	Hardware Package Only *	White

Minimum order: 1 each. *Hardware Package does not include Towel Bar or Knob. ΔThe same Bottom Track and Side Jamb may be used for either 1/4" (6 mm) or 3/8" (10 mm) glass.

• Components Available Separately So You Can Build Your Own Units



CRL Laguna Series Sliding Glass Door System With Anti-Lift Safety Features



- Anti-Lift Feature for Added Safety
- All 316 Alloy Brushed Stainless Steel Construction
- Ideal for Interior Applications
- For Use With 3/8" or 1/2" (10 or 12 mm) Glass
- Comes With All Fasteners Needed for Either Flush (Countersunk) or Surface (Straight Hole) Mounting
- Adaptor Kits Available for Wood Door Applications



Typical Wall Mount Installation

We have upgraded our popular Laguna Series Sliding Glass Door System to now include an 'anti-lift' feature. Through a combination of additions and very subtle changes, we have improved the performance, safety, and security while still offering a clean, simple look. The Laguna Series Sliding Glass Door System can be installed on glass partitions or directly to the side of a sufficiently reinforced wall. The adjustable Top Rollers make final adjustments quick and easy, without the need to remove the door. Their smooth operation and solid stainless steel construction minimizes maintenance issues.

CRL provides you with all the glass attachment fasteners for either flush mounting, requiring a countersunk hole, or surface mounting, requiring a straight hole. The glass attachment fasteners accommodate either 3/8" or 1/2" (10 or 12 mm) tempered glass. **NOTE:** Laminated glass cannot be used in these systems.

Standardized sets allow you to make planning and purchasing quick and easy for basic installations. We offer four different kits; two for wall mounting, and two for glass mounting. Available accessories give you the opportunity to customize the standard sets to accommodate the most imaginative designers. All components are sized to easily ship via UPS, which helps to keep your job costs and lead times down.

For more information or ordering assistance, contact CRL Technical Sales at (800) 421-6144 in the U.S., (877) 421-6144 from Canada, or (323) 588-1281 International, and ask for Ext. 7700. You can also e-mail us through our web site at crlaurence.com. From the home page click on Contact Us, and then click on Technical Sales for Commercial Products.

DOOR SYSTEM LIMITATIONS	
Maximum Door Weight:	220 lbs. (100 kg)
Maximum Panel Width:	53-1/2" (1.36 m)
Maximum Panel Height:	98-7/16" (2.50 m)
Maximum Track Length:	104" (2.64 m)



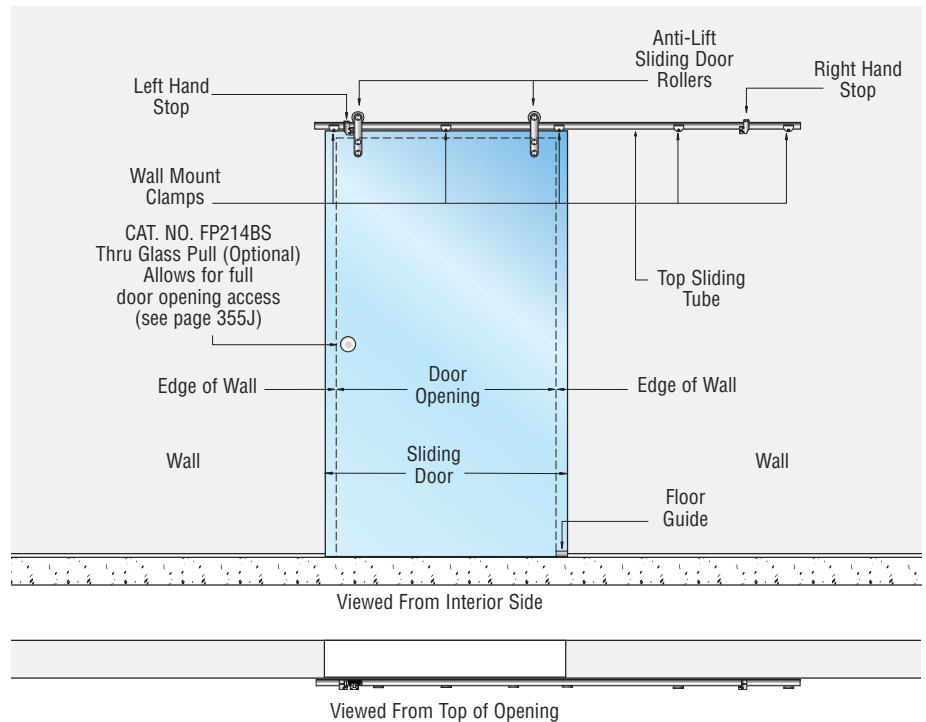
Typical Glass Mount Installation

CRL Laguna Series Wall Mount Single Slider Kit

- **Anti-Lift Design**
- **Assembly Contains All Necessary Hardware to Complete the Installation With 3/8" or 1/2" (10 or 12 mm) Tempered Glass**
- **Brushed Stainless Steel Construction**

The CRL Laguna Series Wall Mount Single Slider Kit contains all the components you will need (except the tempered glass) to complete this style of installation. This model is used in applications where you are attaching a single sliding door to the inside face of a sufficiently reinforced wall.

The Anti-Lift Sliding Door Top Rollers can be attached to the glass with either Surface Mount or Flush Mount Fittings (both are supplied). The Rollers have a 1/8" (3.2 mm) up or down vertical adjustment to aid in door alignment. This system should only be used with 3/8" or 1/2" (10 or 12 mm) tempered glass. Laminated glass cannot be used.



DOOR SYSTEM LIMITATIONS
Maximum Door Weight: 220 lbs. (100 kg)
Maximum Panel Width: 53-1/2" (1.36 m)
Maximum Panel Height: 98-7/16" (2.50 m)
Maximum Track Length: 104" (2.64 m)

Complete glass fabrication details and drawings are available from crlaurence.com or by contacting our Technical Sales Department at (800) 421-6144 in the U.S., (877) 421-6144 from Canada, or (323) 588-1281 International. Ask for Ext. 7700. You can send e-mail through the crlaurence.com home page. Click on Contact Us, and then click on Technical Sales for Commercial Products.

CAT. NO. LSWM3BS

Each Kit Contains:



Two CRL Laguna Series Anti-Lift Top Rollers With Glass Fittings



One CRL Laguna Series Top Sliding Tube With End Caps at 104" (2.64 m) in Length



Five CRL Laguna Series Top Sliding Tube Wall Mount Clamps



Two CRL Laguna Series Door Stops (One Left Hand and One Right Hand)



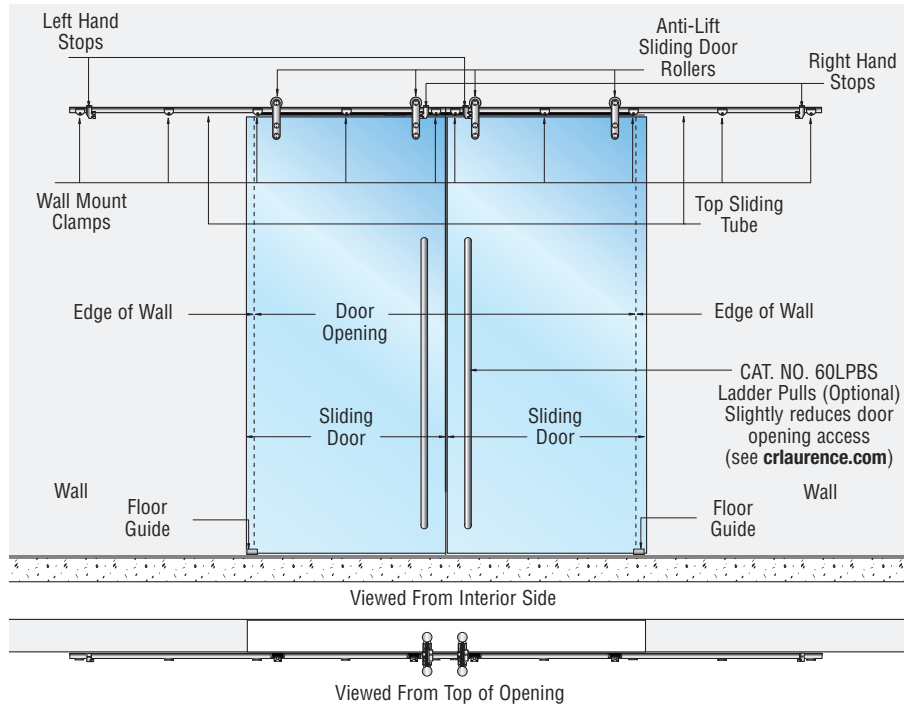
One CRL Laguna Series Bottom Floor Guide

CRL Laguna Series Wall Mount Bi-Parting Slider Kit

- **Anti-Lift Design**
- **Assembly Contains All Necessary Hardware to Complete the Installation With 3/8" or 1/2" (10 or 12 mm) Tempered Glass**
- **Brushed Stainless Steel Construction**

The CRL Laguna Series Wall Mount Bi-Parting Slider Kit contains all the components you will need (except the tempered glass) to complete this style of installation. This model is used in applications where you are attaching two bi-parting sliding doors to the inside face of a sufficiently reinforced wall.

The Anti-Lift Sliding Door Top Rollers can be attached to the glass with either Surface Mount or Flush Mount Fittings (both are supplied). The Rollers have a 1/8" (3.2 mm) up or down vertical adjustment to aid in door alignment. This system should only be used with 3/8" or 1/2" (10 or 12 mm) tempered glass. Laminated glass cannot be used.



DOOR SYSTEM LIMITATIONS
Maximum Door Weight: 220 lbs. (100 kg)
Maximum Panel Width: 53-1/2" (1.36 m)
Maximum Panel Height: 98-7/16" (2.50 m)
Maximum Track Length: 104" (2.64 m)

Complete glass fabrication details and drawings are available from crlaurence.com or by contacting our Technical Sales Department at (800) 421-6144 in the U.S., (877) 421-6144 from Canada, or (323) 588-1281 International. Ask for Ext. 7700. You can send e-mail through the crlaurence.com home page. Click on Contact Us, and then click on Technical Sales for Commercial Products.

CAT. NO. LSWM4BS

Each Kit Contains:



Four CRL Laguna Series Anti-Lift Top Rollers With Glass Fittings



Two CRL Laguna Series Top Sliding Tubes With End Caps at 104" (2.64 m) in Length



Ten CRL Laguna Series Top Sliding Tube Wall Mount Clamps



Four CRL Laguna Series Door Stops (Two Left Hand and Two Right Hand)



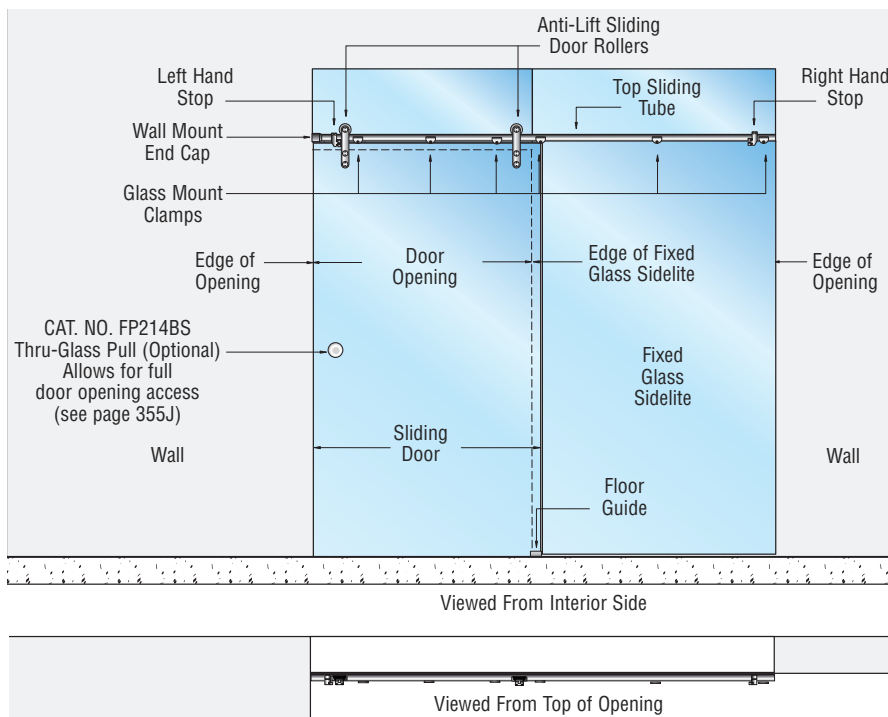
Two CRL Laguna Series Bottom Floor Guides

CRL Laguna Series Glass Mount Single Slider Kit

- **Anti-Lift Design**
- **Assembly Contains All Necessary Hardware to Complete the Installation With 3/8" or 1/2" (10 or 12 mm) Tempered Glass**
- **Brushed Stainless Steel Construction**

The CRL Laguna Series Glass Mount Single Slider Kit contains all the components you will need (except the tempered glass) to complete this style of installation. This model is used in applications where you are attaching a single sliding door in an 'all-glass' opening where you have a wall on one end next to the door, a glass transom above the door, and a fixed glass panel on the other side of the door. Bi-parting double doors are not possible for this application.

The Anti-Lift Sliding Door Top Rollers can be attached to the glass with either Surface Mount or Flush Mount Fittings (both are supplied). The Rollers have a 1/8" (3.2 mm) up or down vertical adjustment to aid in door alignment. This system should only be used with 3/8" or 1/2" (10 or 12 mm) tempered glass. Laminated glass cannot be used.



DOOR SYSTEM LIMITATIONS

- Maximum Door Weight: 220 lbs. (100 kg)
- Maximum Panel Width: 53-1/2" (1.36 m)
- Maximum Panel Height: 98-7/16" (2.50 m)
- Maximum Track Length: 104" (2.64 m)

Complete glass fabrication details and drawings are available from crlaurence.com or by contacting our Technical Sales Department at (800) 421-6144 in the U.S., (877) 421-6144 from Canada, or (323) 588-1281 International. Ask for Ext. 7700. You can send e-mail through the crlaurence.com home page. Click on Contact Us, and then click on Technical Sales for Commercial Products.

CAT. NO. LSGM3BS

Each Kit Contains:



Two CRL Laguna Series Anti-Lift Top Rollers With Glass Fittings



One CRL Laguna Series Top Sliding Tube With End Caps at 104" (2.64 m) in Length



One CRL Laguna Series Top Sliding Tube Wall Mount End Cap (fastener to wall is not included)



Six CRL Laguna Series Top Sliding Tube Glass Mount Clamps



Two CRL Laguna Series Door Stops (One Left Hand and One Right Hand)



One CRL Laguna Series Bottom Floor Guide

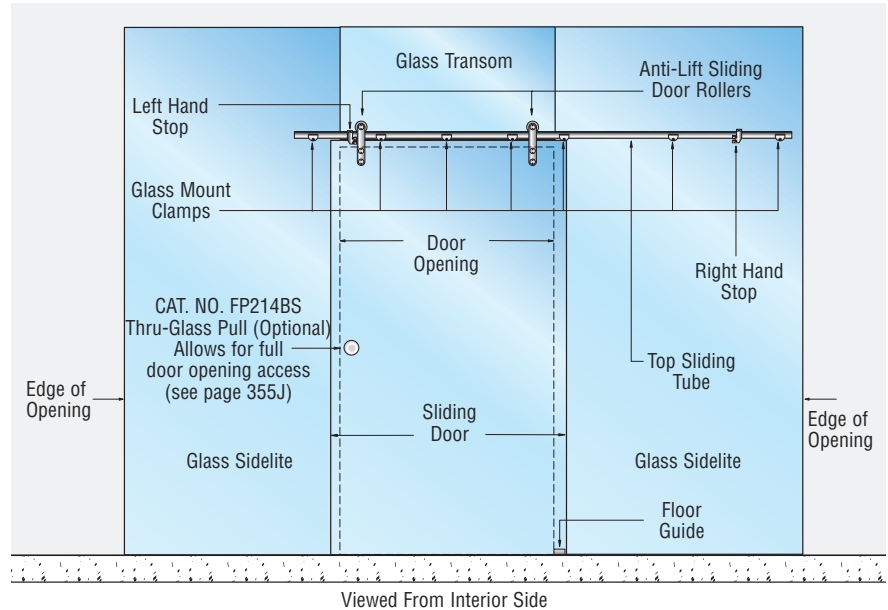
CRL Laguna Series Glass Mount Single Slider With Sidelites Kit



- **Anti-Lift Design**
- **Assembly Contains All Necessary Hardware to Complete the Installation With 3/8" or 1/2" (10 or 12 mm) Tempered Glass**
- **Brushed Stainless Steel Construction**

The CRL Laguna Series Glass Mount Single Slider With Sidelites Kit contains all the components you will need (except the tempered glass) to complete this style of installation. This model is used in applications where you are attaching a single sliding door in an 'all-glass' opening where you have a glass transom above the door and fixed glass panels on both sides of the door. Bi-parting double doors are not possible for this application.

The Anti-Lift Sliding Door Top Rollers can be attached to the glass with either Surface Mount or Flush Mount Fittings (both are supplied). The Rollers have a 1/8" (3.2 mm) up or down vertical adjustment to aid in door alignment. This system should only be used with 3/8" or 1/2" (10 or 12 mm) tempered glass. Laminated glass cannot be used.



DOOR SYSTEM LIMITATIONS

- Maximum Door Weight: 220 lbs. (100 kg)
- Maximum Panel Width: 53-1/2" (1.36 m)
- Maximum Panel Height: 98-7/16" (2.50 m)
- Maximum Track Length: 104" (2.64 m)

Complete glass fabrication details and drawings are available from crlaurence.com or by contacting our Technical Sales Department at (800) 421-6144 in the U.S., (877) 421-6144 from Canada, or (323) 588-1281 International. Ask for Ext. 7700. You can send e-mail through the crlaurence.com home page. Click on Contact Us, and then click on Technical Sales for Commercial Products.

CAT. NO. LSGM4BS

Each Kit Contains:



Two CRL Laguna Series Anti-Lift Top Rollers With Glass Fittings



One CRL Laguna Series Top Sliding Tube With End Caps at 104" (2.64 m) in Length



Seven CRL Laguna Series Top Sliding Tube Glass Mount Clamps



Two CRL Laguna Series Door Stops (One Left Hand and One Right Hand)



One CRL Laguna Series Bottom Floor Guide

CRL Laguna Sliding Door Hardware Adaptor Kit for Wood Doors

- Easily Adapts Our Laguna Slider Kits to Work With Wood Doors
- For Wood Doors From 1-3/8" to 1-3/4" (35 to 45 mm) Thick
- Brushed Stainless Steel Finish

new



Now you can easily adapt any of our Laguna Sliding Door Systems to work with wood doors. The Adaptor Kit allows you to mount Laguna Slider Hardware on wood doors ranging in thickness from 1-3/8" to 1-3/4" (35 to 45 mm). Recommended for solid wood doors, but can be used on hollow core doors that have adequate structure to accept the hardware.

Each kit comes with four Mounting Bolts for attaching the hardware to the wood door, five Wall Mount Bracket Spacers for use on openings with doors thicker than 1-3/8" (35 mm), and one Floor Guide. All parts are made of alloy 316 stainless steel. One kit is required per door.

CAT. NO. LSWMADT



Four Mounting Bolts



Five Wall Mount Bracket Spacers



One Floor Guide

For additional information or assistance contact CRL Technical Sales at (800) 421-6144 in the U.S., (877) 421-6144 from Canada, or (323) 588-1281 International, and ask for Ext. 7700. You can also send an e-mail from the crlaurence.com home page. Click on Contact Us, and then click on Technical Sales for Commercial Products.

CRL Replacement Parts for Laguna Series Sliding Glass Door System

CRL Laguna Series Top Sliding Tube



- Supports Sliding Door
- Brushed Stainless Steel
- Includes Two LS104CAP End Caps
- 104" (2.6 m) Long

This CRL Top Sliding Tube provides support for the sliding door when properly attached to walls using Cat. No. LS302BS Top Sliding Tube Wall Mount Clamps, or to glass panels when using Cat. No. LS303BS Top Sliding Tube Glass Mount Clamp Fittings (see page 354J). Minimum order is one each.

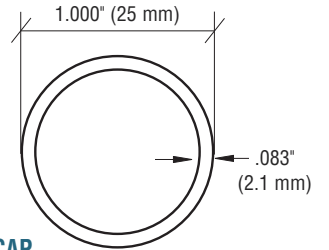
CAT. NO. LS104BS

Top Sliding Tube
With Two End Caps



CAT. NO. LS104CAP

Replacement
End Cap



CRL Laguna Series Anti-Lift Top Roller

- Includes Both Surface Mount and Flush Mount Fittings
- Allows 1/8" (3.2 mm) Vertical Adjustment
- Brushed Stainless Steel

Two CRL Laguna Series Anti-Lift Top Rollers are needed for each sliding door panel. These will be placed on the Cat. No. LS104BS Top Sliding Tube after it has been mounted to the glass panels or wall. The door panel is then positioned and attached to the Rollers. Anti-Lift Top Rollers will allow for 1/8" (3.2 mm) up or down adjustment for final alignment. Rollers are supplied with both Surface Mount and Flush Mount Fittings so the glass fabrication choice is yours. Minimum order is one each.



Supplied With:



Two Surface Mount Fittings



Two Flush Mount Fittings



CAT. NO. LS300BS

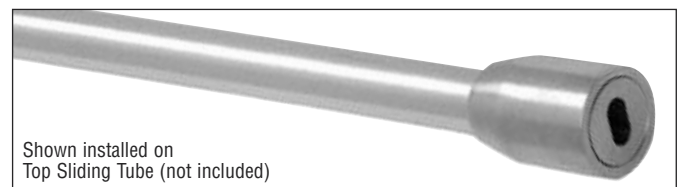
CRL Laguna Series Top Sliding Tube Wall Mount End Cap

- For Top Sliding Tubes That Terminate Into a Wall
- Brushed Stainless Steel

The CRL Top Sliding Tube Wall Mount End Cap is a non-handed fitting. It is used in conditions where the Cat. No. LS104BS Top Sliding Tube terminates into a wall. The elongated hole and internal sleeve make final minor adjustments quick and easy. Fastener to wall is not included. Minimum order is one each.



CAT. NO. LS106BS



Shown installed on
Top Sliding Tube (not included)

CRL Replacement Parts for Laguna Series Sliding Glass Door System

CRL Laguna Series Top Sliding Tube Wall Mount Clamp

- Used in Wall Mounting Applications
- Anti-Lift System
- Brushed Stainless Steel

This CRL Top Sliding Tube Wall Mount Clamp attaches to the surface of a sufficiently reinforced wall. Fasteners are not supplied. The Cat. No. LS104BS Top Sliding Tube is then clamped in place by tightening the jaws of the Clamp. Minimum order is one each.



CAT. NO. LS302BS

CRL Laguna Series Top Sliding Tube Glass Mount Clamp

- Used in Glass Transom and Sidelite Applications
- Anti-Lift System
- Brushed Stainless Steel

This CRL Top Sliding Tube Glass Mount Clamp is used in glass transom and sidelite applications. They mount through the holes prepared in the glass. Supplied with both Surface Mount and Flush Mount Fittings. The Cat. No. LS104BS Top Sliding Tube is then clamped in place by tightening the jaws. Minimum order is one each.



CAT. NO. LS303BS

CRL Laguna Series Door Stops

- Prevents 'Over Travel' of Door Panel
- Protects Finished Opening
- Simple to Install
- Brushed Stainless Steel

These Door Stops prevent 'over travel' of the door panels used in Laguna Series Assemblies, which helps protect the finished opening and the glass. Door Stops are installed by simply sliding them over the end of the Cat. No. LS104BS Top Sliding Tube and then tightening them in place. Minimum order is one each.

NOTE: Left or right handing is determined as viewed from the hardware side of the opening.



CAT. NO. LS105LBS

Left Hand



CAT. NO. LS105RBS

Right Hand

CRL Laguna Series Bottom Floor Guide

- Brushed Stainless Steel Guide Keeps Glass Door Aligned
- Adjustable for 3/8" and 1/2" (10 and 12 mm) Glass Doors

The CRL Laguna Series Bottom Floor Guide is adjustable for 3/8" and 1/2" (10 and 12 mm) glass doors. The Guide keeps the glass door aligned so it can slide straight when opening and closing. It also prevents the door glass from being pushed in at the bottom. 1-15/16" (49 mm) overall length; 29/32" (23 mm) high. Minimum order is one each.



CAT. NO. LS307BS

CRL Accessories for Laguna Series Sliding Glass Door System

CRL Laguna Series Top Sliding Tube Ceiling Mount Clamp

- Used in Ceiling Mount Applications
- Anti-Lift System
- Brushed Stainless Steel

This CRL Top Sliding Tube Ceiling Mount Clamp attaches to a structural ceiling sufficient to carry the loads of the Sliding Glass Doors. These are ordered separately from the kits and would replace the Wall Clamps included in any of the kits.

This Clamp positions the Top Sliding Tube 4-11/16" (119 mm) down from the ceiling and has 3/16" (5 mm) of up or down adjustment to help with leveling the Top Sliding Tube during installation. Comes with four fasteners for mounting, and has a snap-on cover to finish the installation. Minimum order is one each.

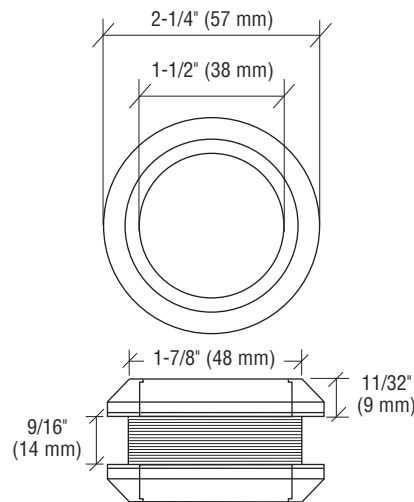


CAT. NO. LS312BS

CRL Laguna Series Thru-Glass Pull

- Low Profile Design Allows for Full Door Opening Access
- Brushed Stainless Steel

The CRL Laguna Series Thru-Glass Pull has a recessed low profile design that you screw together to install. Its solid stainless steel construction makes this a rugged yet elegant solution for a pull handle. The thickness of this Thru-Glass Pull doesn't impede movement in front of walls or glass sidelites as it allows for full door opening access. Supplied with clear gaskets to accommodate door glass from 3/8" to 1/2" (10 to 12 mm) thick. Minimum order is one each. **NOTE:** Requires 1-7/8" (48 mm) hole in glass panel for installation. You can use our Cat. No. PDT48MM Diamond Drill to fabricate the proper size hole.



CAT. NO. FP214BS

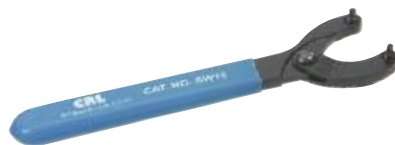
CRL Universal Spanner Wrench



Use this CRL Universal Spanner Wrench as a quick and efficient method of attaching or loosening Spanners. Kit includes: one Adjustable Tool, five Metric (1.5, 2, 2.5, 3, and 4 mm) Spanner Pin Sets, five Fractional (1/16", 3/32", 1/8", 5/32", and 3/16") Spanner Pin Sets, and one Molded Carrying Case. Minimum order is one each.

CAT. NO. USW10

CRL Spanner Wrench



Use this CRL Spanner Wrench as a quick and efficient method to secure and tighten Laguna Series Rollers, Brackets, and Fittings to the glass. Minimum order is one each.

CAT. NO. SW19

CRL Spanner Head

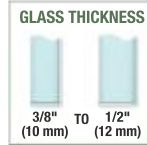


This CRL Spanner Head is used with your 1/4" drive ratchet wrench to secure and tighten Laguna Series Rollers, Brackets, and Fittings to the glass. Ratchet wrench not included. Minimum order is one each.

CAT. NO. LSSW1

CRL Laguna Series Pivot Door System

- All 316 Alloy Brushed Stainless Steel Construction
- Ideal for Interior Room Applications
- For Use With 3/8" or 1/2" (10 or 12 mm) Tempered Glass
- Comes With All Fasteners Needed for Either Flush Mount (Countersunk) or Surface Mount (Straight Hole) Glass Fabrication



Our Laguna Series Hardware brings a contemporary look to interior home or office partitions. Made of high-grade 316 alloy stainless steel, it will give years of reliable function and modern beauty to your projects.

The CRL Laguna Pivot Door System can be used with free-swinging doors, or doors controlled by floor mounted door closers. The hardware can be ordered in sets or by individual components.

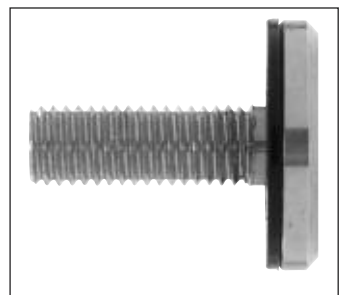
CRL provides you with all of the Glass Fasteners for either flush mounting, which requires a countersunk hole, or surface mounting, where a straight hole is needed. The Glass Fasteners will accommodate either 3/8" or 1/2" (10 or 12 mm) tempered glass. Laminated glass cannot be used with this hardware.

Standardized sets allow easy planning and purchasing for a number of basic configurations. Available accessories give you the opportunity to customize the standard sets to accommodate the most imaginative designers.

NOTE: Care should be taken when using this system in exterior applications to ensure that air and water infiltration can be minimized.

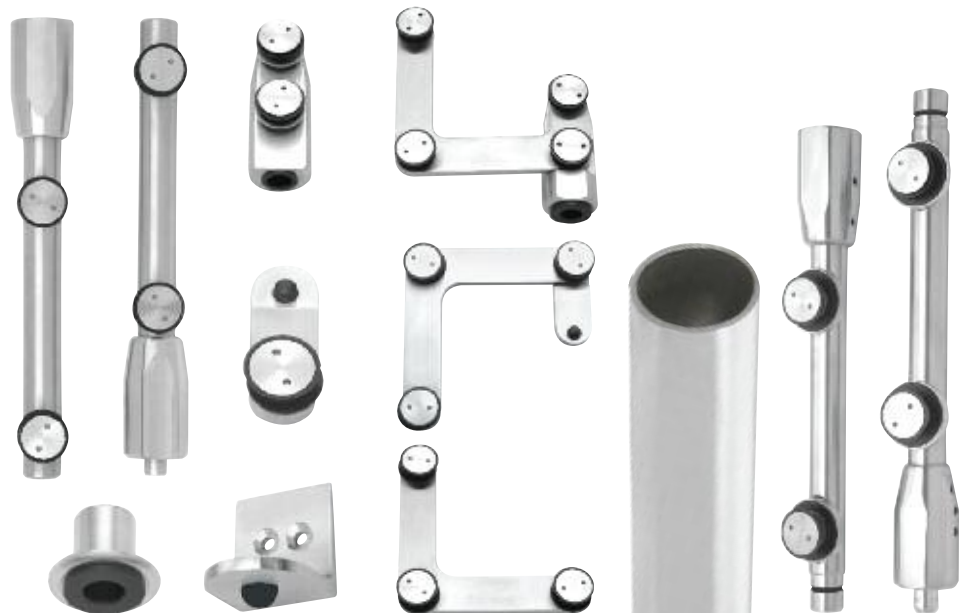


Flush Mount Fastener



Surface Mount Fastener

For additional information, contact CRL Technical Sales at (800) 421-6144 in the U.S., (877) 421-6144 from Canada, or (323) 588-1281 International. Ask for Ext. 7700. You can also e-mail us through our web site at crlaurence.com. From the home page click on Contact Us, and then click on Technical Sales for Commercial Products.



DOOR SYSTEM LIMITATIONS

- Maximum Door Weight: 176 Lbs. (80 kg)
- Maximum Panel Width: 47-1/4" (1.2 m)
- Maximum Panel Height: 98-7/8" (2.5 m)

Are You Missing Opportunities?

In today's marketplace the winners are those that take advantage of opportunities presented to them. Shower door installations, repair or maintenance are a prime example of an opportunity. Customers call back contractors that provide a quality job, in a timely manner, and leave the job as clean or cleaner than it was before the job started. Replacing or repairing a shower door for the customer greatly increases your chance of being the installer when the customer decides it's time to put in a new unit. On the following pages is a selection of repair and maintenance hardware to assist you in repairing or maintaining shower doors. If you don't see the exact part you need you can e-mail us a photo or send us a sample and we will try to locate the part for you.

Typical Repairs That Can Create Profit Opportunities for You:



Replacing Damaged Rollers



Resealing a Leaking Unit



Adjusting a Sagging Door

Download the Following Catalogs for a Complete Selection of Shower Door Hardware and Tools at crlaurence.com.

new



CAT. NO. SD12

Reacting to the "wish list" of designers and installers has brought about many of the new products that are now part of our extensive selection in the SD12 Frameless Shower Door Hardware and Supplies Catalog. Unsurpassed quality combined with technical expertise, full inventories, and the willingness to listen has contributed to create our complete package of quality hardware backed by excellent service.



CAT. NO. FS14

Our new FS14 Catalog features CRL's full line of Frameless Sliding Shower Door Systems, including our Glass Magazine Award Winning Serenity Series Slider. It's a great way to show your customers all of the choices you can offer them.



CAT. NO. ST14

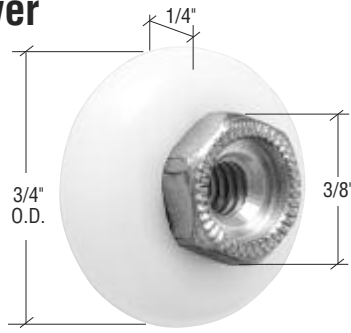
Elegant, beautifully designed frameless shower enclosures cannot become a reality without professional installers using state of the art tools and techniques. In this catalog you will see some imaginative ideas brought to production and shared with the trade by C.R. Laurence.

CRL SHOWER DOOR REPAIR AND REPLACEMENT HARDWARE

For Pricing Visit crlaurence.com or Call Us Toll Free at the Phone Numbers Shown on the Back Cover

CRL Sliding Shower Door Roller

Oval edge nylon roller, steel ball bearing inner-race with 8-32 threaded hex hub.

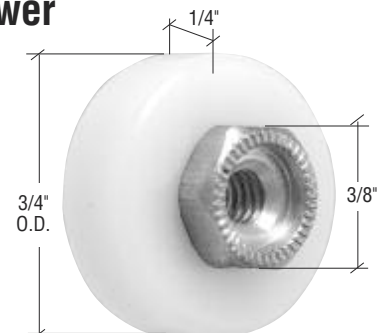


CAT. NO.	QTY/PKG
M6000	2
M6000B	100

Minimum order: 1 pack.

CRL Sliding Shower Door Roller

Flat edge nylon roller, steel ball bearing inner-race with 8-32 threaded hex hub.

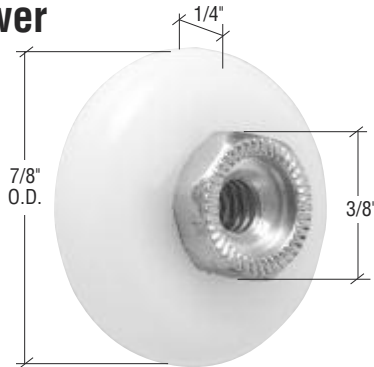


CAT. NO.	QTY/PKG
M6001	2
M6001B	100

Minimum order: 1 pack.

CRL Sliding Shower Door Roller

Oval edge nylon roller, steel ball bearing inner-race with 8-32 threaded hex hub.

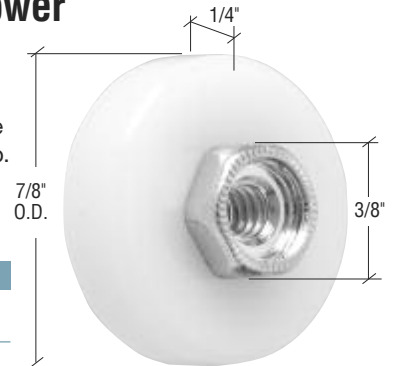


CAT. NO.	QTY/PKG
M6002	2
M6002B	100

Minimum order: 1 pack.

CRL Sliding Shower Door Roller

Flat edge nylon roller, steel ball bearing inner-race with 8-32 threaded hex hub.

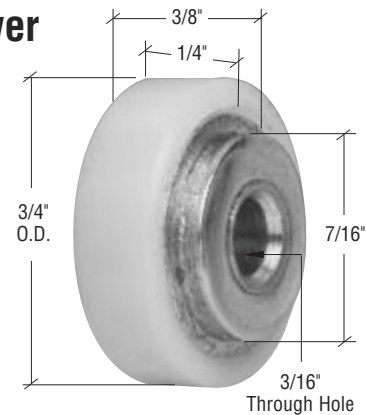


CAT. NO.	QTY/PKG
M6003	2
M6003B	100

Minimum order: 1 pack.

CRL Sliding Shower Door Roller

Flat edge nylon roller, steel ball bearing inner-race with a round hub on both sides of roller, 3/16" (4.8 mm) diameter through axle hole.

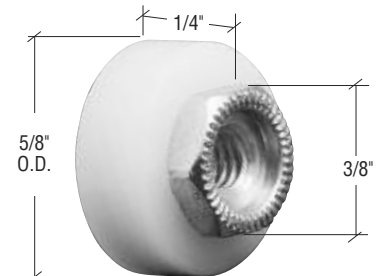


CAT. NO.	QTY/PKG
M6005	2
M6005B	100

Minimum order: 1 pack.

CRL Sliding Shower Door Roller

Flat edge nylon roller, steel ball bearing inner-race with 8-32 threaded hex hub.

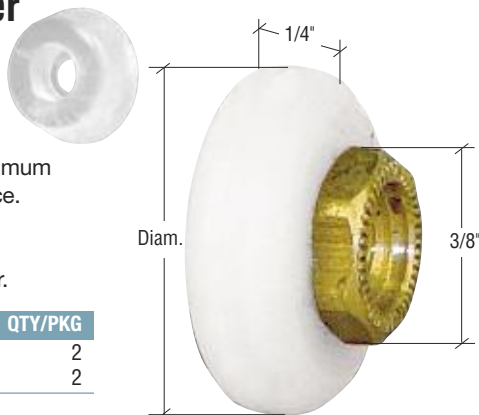


CAT. NO.	QTY/PKG
M6065	2
M6065B	100

Minimum order: 1 pack.

CRL Sliding Shower Door Roller and Bumper

Oval edge nylon roller, stainless steel ball bearing with brass inner-race for maximum corrosion resistance. Package includes 3/4" x 1/4" clear nylon door bumper.

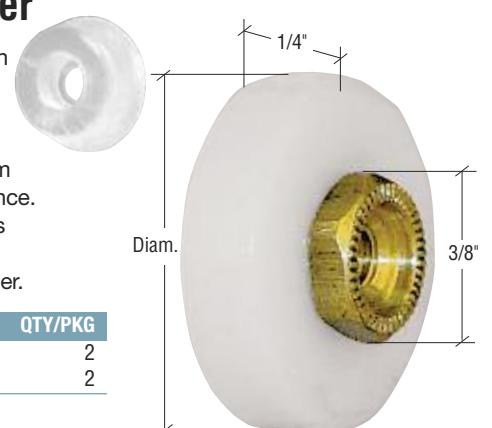


CAT. NO.	DIAM.	QTY/PKG
M6166	3/4"	2
M6168	7/8"	2

Minimum order: 1 pack.

CRL Sliding Shower Door Roller and Bumper

Flat edge nylon roller, stainless steel ball bearing with brass inner-race for maximum corrosion resistance. Package includes 3/4" x 1/4" clear nylon door bumper.



CAT. NO.	DIAM.	QTY/PKG
M6167	3/4"	2
M6169	7/8"	2

Minimum order: 1 pack.

All packs of Replacement Hardware can be combined for quantity pricing.



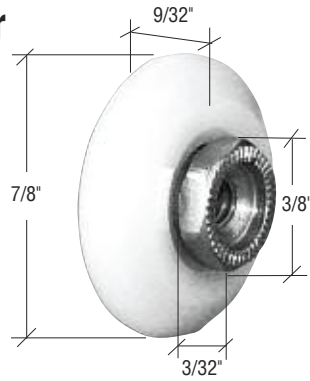
C.R. LAURENCE COMPANY

crlaurence.com | usalum.com

358J | crlaurence.ca crlaurence.com.au crlaurence.co.uk crlaurence.de crlaurence.eu

CRL Sliding Shower Door Roller

"V" shaped nylon roller, steel ball bearing inner-race with 8-32 threaded hex hub.

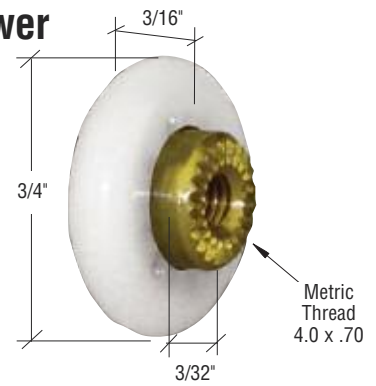


CAT. NO.	QTY/PKG
M6175	2

Minimum order: 1 pack.

CRL Sliding Shower Door Roller

Oval edge nylon roller, steel ball bearing inner-race with 4.0 x .70 metric threaded hex hub.

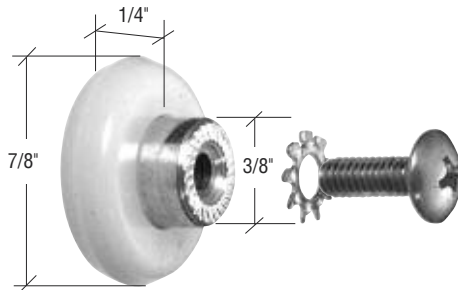


CAT. NO.	QTY/PKG
M6206	2

Minimum order: 1 pack.

CRL Sliding Shower Door Roller

Oval edge nylon roller, steel ball bearing inner-race with 8-32 threaded round hub. Fits CRL "CK", "DK", and "EK" Series Frameless Sliding Shower Doors.

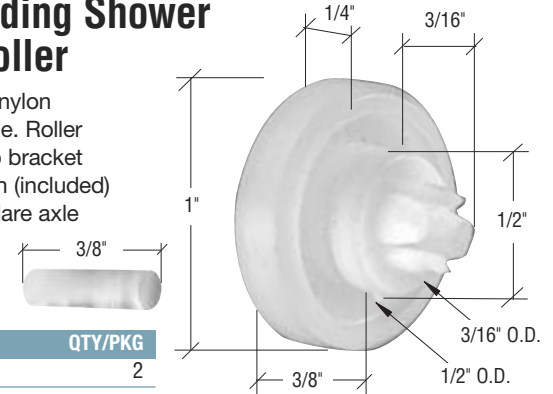


CAT. NO.	QTY/PKG
DKR78	2

Minimum order: 1 pack.

CRL Sliding Shower Door Roller

Flat edge nylon roller and axle. Roller is secured to bracket by driving pin (included) into axle to flare axle into hole in bracket.



CAT. NO.	QTY/PKG
M6068	2

Minimum order: 1 pack.

CRL Sliding Shower Door Roller

Flat edge nylon roller with a 5/16" (7.9 mm) threaded axle stud and nut. Flats on threads.

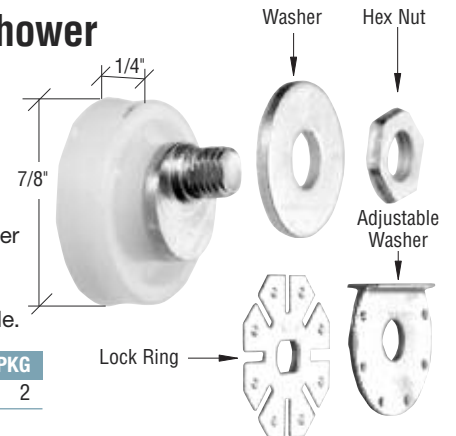


CAT. NO.	QTY/PKG
M6031	2

Minimum order: 1 pack.

CRL Sliding Shower Door Roller

Flat edge nylon roller, steel ball bearing inner-race with eccentric threaded stud. Includes an adjustable lock washer and lock ring. Vertical height adjustment is made by rotating the axle.



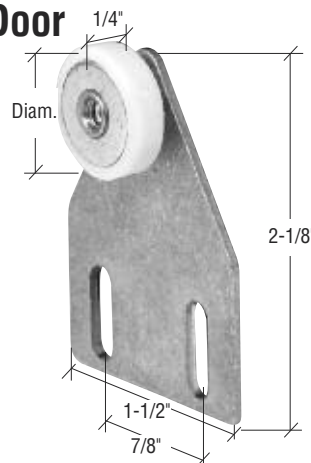
CAT. NO.	QTY/PKG
M6006	2

Minimum order: 1 pack.

CRL Sliding Shower Door Roller and Bracket

Nylon roller, steel ball bearing inner-race with stamped aluminum bracket. Slotted mounting holes for vertical adjustment.

NOTE: M6009 has a non-ball bearing roller.

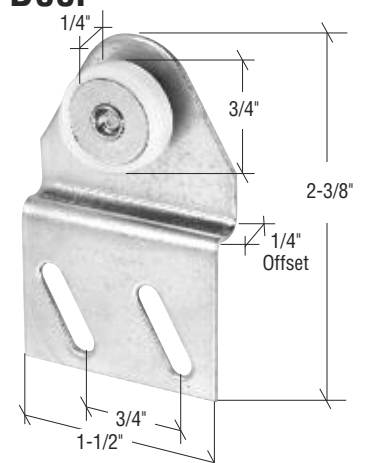


CAT. NO.	DIAM.	EDGE	QTY/PKG
M6008	3/4"	Flat	2
M6032	3/4"	Oval	2
M6009	31/32"	Flat	2

Minimum order: 1 pack.

CRL Sliding Shower Door Roller and Bracket

Flat edge nylon roller, steel ball bearing inner-race with stamped steel bracket. Slotted mounting holes for vertical adjustment.



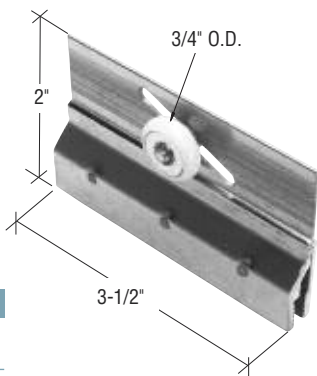
CAT. NO.	QTY/PKG
M6007	2

Minimum order: 1 pack.

All Replacement Hardware can be combined for quantity pricing.

CRL Sliding Shower Door Roller and Bracket

Oval edge nylon roller, steel ball bearing inner-race, two-part extruded aluminum bracket that clamps to the top of 3/16" or 1/4" (5 or 6 mm) thick frameless glass door panels. Package includes optional vinyl glazing channel.

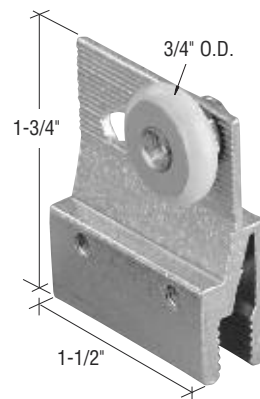


CAT. NO.	FINISH	QTY/PKG
M6053	Brite Anodized	2
M6104	Brite Gold Anodized	2

Minimum order: 1 pack.

CRL Sliding Shower Door Roller and Bracket

Oval edge nylon roller, steel ball bearing inner-race, two-part extruded aluminum bracket that clamps to the top of 3/16" (5 mm) thick frameless glass door panels.

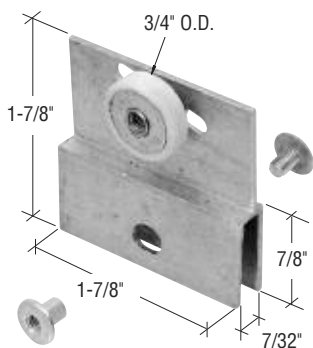


CAT. NO.	QTY/PKG
M6145	2

Minimum order: 1 pack.

CRL Sliding Shower Door Roller and Bracket

Flat edge nylon roller, steel ball bearing inner-race, extruded aluminum bracket. 1/4" binder post supplied for thru-glass mounting on 3/16" (5 mm) thick frameless glass shower doors.

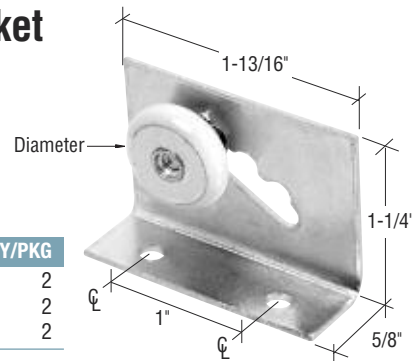


CAT. NO.	QTY/PKG
M6054	2

Minimum order: 1 pack.

CRL Sliding Shower Door Roller and Bracket

Flat or oval edge nylon roller, steel ball bearing inner-race, extruded aluminum bracket for top hung doors.

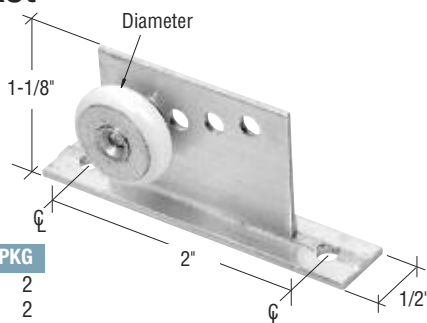


CAT. NO.	DIAM.	EDGE	QTY/PKG
M6010	3/4"	Oval	2
M6011	3/4"	Flat	2
M6012	7/8"	Oval	2

Minimum order: 1 pack.

CRL Sliding Shower Door Roller and Bracket

Oval edge nylon roller, steel ball bearing inner-race, extruded aluminum bracket for top hung doors.

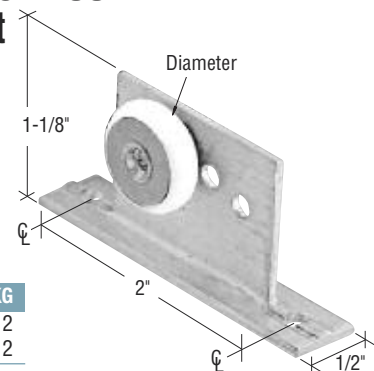


CAT. NO.	DIAM.	QTY/PKG
M6034	3/4"	2
M6036	7/8"	2

Minimum order: 1 pack.

CRL Sliding Shower Door Roller and Bracket

Flat edge nylon roller, steel ball bearing inner-race, extruded aluminum bracket for top hung doors.

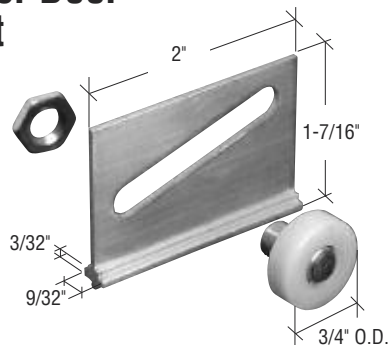


CAT. NO.	DIAM.	QTY/PKG
M6035	3/4"	2
M6037	7/8"	2

Minimum order: 1 pack.

CRL Sliding Shower Door Roller and Bracket

Flat edge nylon roller, steel ball bearing inner-race, extruded aluminum bracket. Fits Ador/Hilite brand shower doors.



CAT. NO.	QTY/PKG
M6013	2

Minimum order: 1 pack.

CRL Dry Coating, Lubricant, and Release Agent



- Provides Excellent Lubrication for Rollers
- Contains No Silicone or Oil

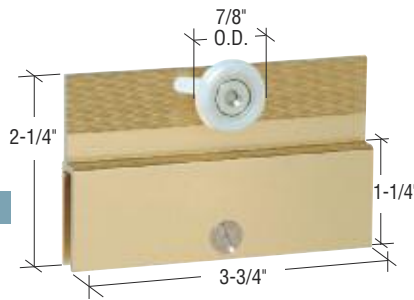
This CRL Dry Coating, Lubricant, and Release Agent is a dry lubricant and coating that reduces friction, inhibits resin build-up, and prolongs working life. Twelve each 12 ounce (340 g) cans per case. Minimum order is one each.

CAT. NO. SP295

All packs of Replacement Hardware can be combined for quantity pricing

CRL Sliding Shower Door Roller and Bracket

Fits CRL "CK" and "DK" Series 1/4" (6 mm) glass Frameless Sliding Shower Doors. Available in four finishes. For rollers only see Cat. No. DKR78 on page 359J.

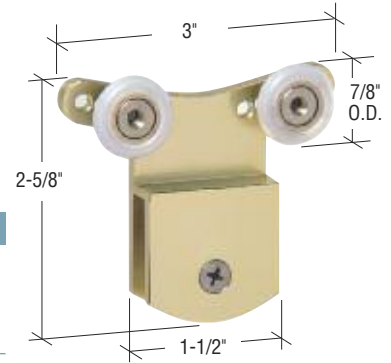


CAT. NO.	FINISH	QTY/PKG
DK67BA	Brite Anodized	1
DK67BGA	Brite Gold Anodized	1
DK67BN	Brushed Nickel	1
DK67ORB	Oil Rubbed Bronze	1

Minimum order: 1 each.

CRL Sliding Shower Door Roller and Bracket

Fits CRL "CK" and "DK" Series 3/8" (10 mm) glass Frameless Sliding Shower Doors. Available in four finishes. For rollers only see Cat. No. DKR78 on page 359J.



CAT. NO.	FINISH	QTY/PKG
DK66BA	Brite Anodized	1
DK66BGA	Brite Gold Anodized	1
DK66BN	Brushed Nickel	1
DK66ORB	Oil Rubbed Bronze	1

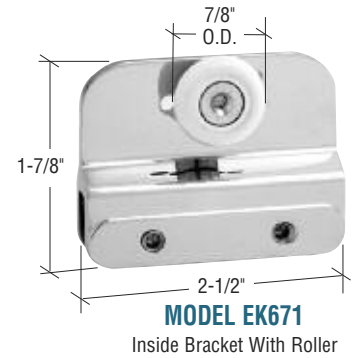
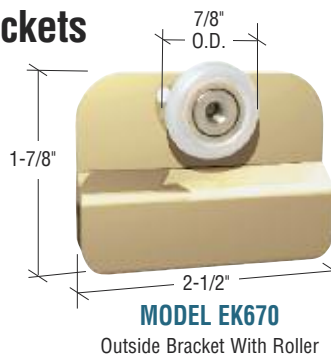
Minimum order: 1 each.

CRL Sliding Shower Door Rollers and Brackets

Fits CRL "EK" Series 1/4" (6 mm) glass Frameless Sliding Shower Doors. Two models for inside or outside sliding doors available. Four finishes offered to match shower door hardware. For rollers only see Cat. No. DKR78 on page 359J.

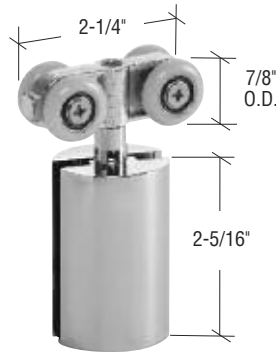
OUTSIDE BRACKET CAT. NO.	INSIDE BRACKET CAT. NO.	FINISH	QTY/PKG
EK670BA	EK671BA	Brite Anodized	1
EK670BGA	EK671BGA	Brite Gold Anodized	1
EK670BN	EK671BN	Brushed Nickel	1
EK670ORB	EK671ORB	Oil Rubbed Bronze	1

Minimum order: 1 each.



CRL Hydroslide Series Sliding Shower Door Rollers

Fits CRL Hydroslide Series Sliding Door System for 5/16" or 3/8" (8 or 10 mm) glass. The Kit consists of two Rollers, two Glass Hangers, and two Snap-In Screw Covers.

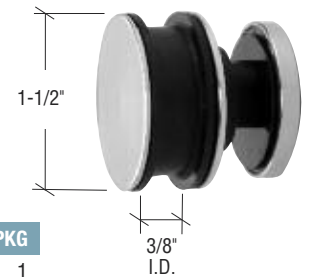


CAT. NO.	FINISH	QTY/PKG
HYD01CH	Polished Chrome	2
HYD01BR	Polished Brass	2
HYD01BN	Brushed Nickel	2
HYD01ORB	Oil Rubbed Bronze	2

Minimum order: 1 pack.

CRL Deluxe Serenity Series Sliding Shower Door Rollers

Fits CRL Deluxe Serenity Series Sliding Door System for 5/16" or 3/8" (8 or 10 mm) glass. Specially designed roller bearings allow for quiet, easy opening and closing of the door.

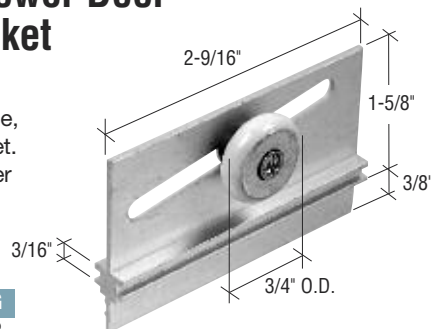


CAT. NO.	FINISH	QTY/PKG
SERNR1BS	Brushed Stainless	1
SERNR1PS	Polished Stainless	1

Minimum order: 1 pack.

CRL Sliding Shower Door Roller and Bracket

Oval edge nylon roller, steel ball bearing inner-race, extruded aluminum bracket. Fits Premiere brand shower doors.

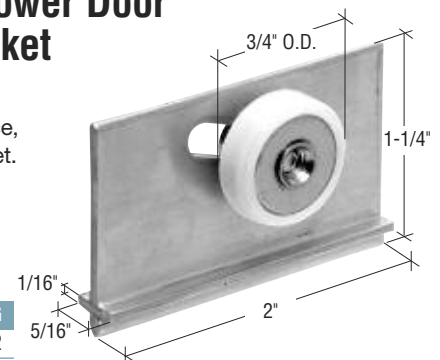


CAT. NO.	QTY/PKG
M6055	2

Minimum order: 1 pack.

CRL Sliding Shower Door Roller and Bracket

Flat edge nylon roller, steel ball bearing inner-race, extruded aluminum bracket.



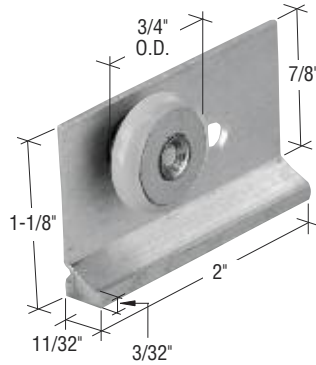
CAT. NO.	QTY/PKG
M6216	2

Minimum order: 1 pack.

All packs of Replacement Hardware can be combined for quantity pricing.

CRL Sliding Shower Door Roller and Bracket

Oval edge nylon roller, steel ball bearing inner-race, extruded aluminum bracket.

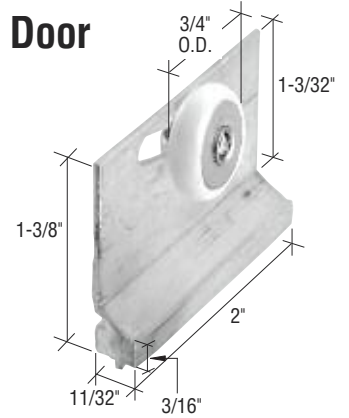


CAT. NO.	QTY/PKG
M6069	2

Minimum order: 1 pack.

CRL Sliding Shower Door Roller and Bracket

Oval edge nylon roller, steel ball bearing inner-race, extruded aluminum bracket.

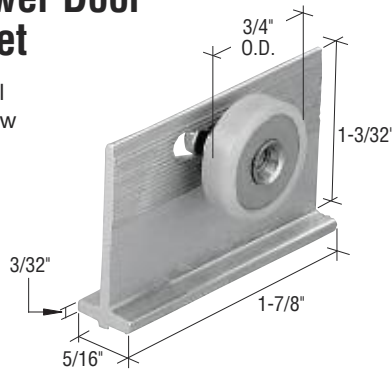


CAT. NO.	QTY/PKG
M6157	2

Minimum order: 1 pack.

CRL Sliding Shower Door Roller and Bracket

Flat edge nylon roller, steel ball bearing inner-race, narrow extruded aluminum bracket.

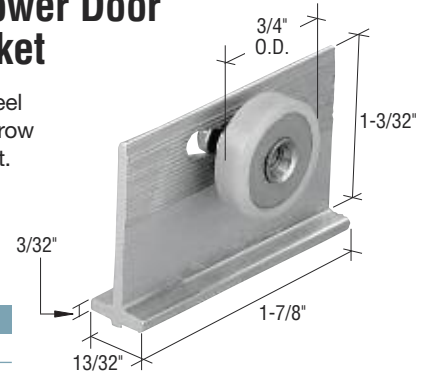


CAT. NO.	QTY/PKG
M6232	2

Minimum order: 1 pack.

CRL Sliding Shower Door Roller and Bracket

Flat edge nylon roller, steel ball bearing inner-race, narrow extruded aluminum bracket.



CAT. NO.	QTY/PKG
M6233	2

Minimum order: 1 pack.

CRL Sliding Shower Door Roller Assembly

Oval edge nylon roller with nylon bracket. Fits on Tub Master brand folding shower doors.

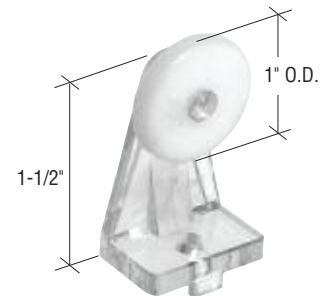


CAT. NO.	QTY/PKG
M6070	2

Minimum order: 1 pack.

CRL Sliding Shower Door Roller Assembly

Oval edge nylon roller, with nylon bracket. Fits on Tub Master brand folding shower doors.



CAT. NO.	QTY/PKG
M6071	2

Minimum order: 1 pack.

CRL Sliding Shower Door Roller and Guide Assembly

Flat edge nylon roller with spring loaded nylon guide bracket. Used on the leading edge of accordion folding vinyl sectional doors. Fits on Flair Fold brand doors.

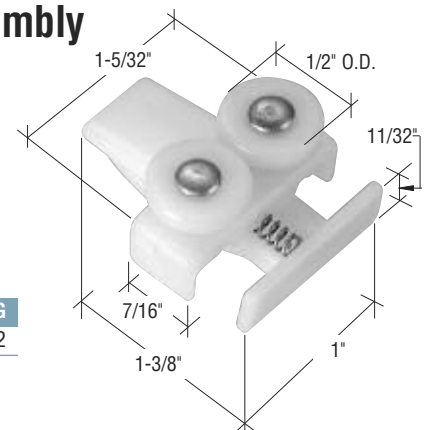


CAT. NO.	QTY/PKG
M6047	2

Minimum order: 1 pack.

CRL Sliding Shower Door Roller and Guide Assembly

Flat edge nylon roller with spring loaded nylon guide bracket. Used on top and bottom panels of accordion folding vinyl sectional doors. Fits on Flair Fold brand doors.



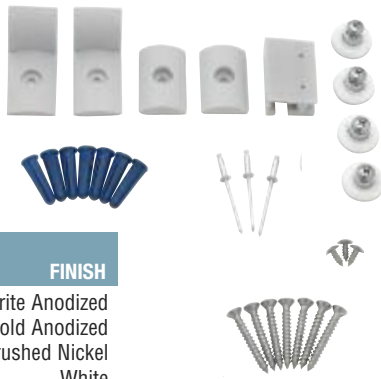
CAT. NO.	QTY/PKG
M6048	2

Minimum order: 1 pack.

All packs of Replacement Hardware can be combined for quantity pricing.

CRL Roller, Guide and Screw Kit

Complete hardware package for the CRL "MK" Series Frameless Sliding Shower Doors.

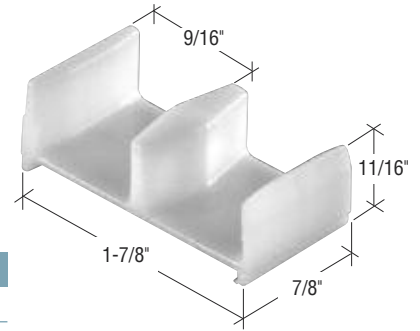


1/4" GLASS CAT. NO.	3/8" GLASS CAT. NO.	FINISH
HP14BA	HP38BA	Brite Anodized
HP14BGA	HP38BGA	Brite Gold Anodized
HP14BN	HP38BN	Brushed Nickel
HP14W	HP38W	White

Minimum order: 1 each.

CRL Sliding Shower Door Bottom Guide

Clear nylon Bottom Guide for sliding shower doors. Fits doors made by Miller manufacturing.

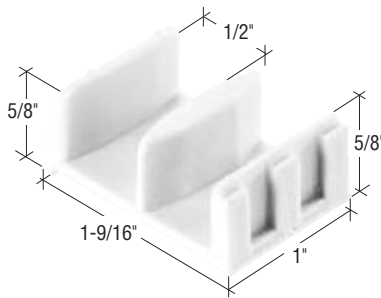


CAT. NO.	QTY/PKG
M6148	2

Minimum order: 1 pack.

CRL Sliding Shower Door Bottom Guide

White nylon Bottom Guide for sliding shower doors. Used by several door manufacturers. Fits 7/16" (11 mm) door rails.

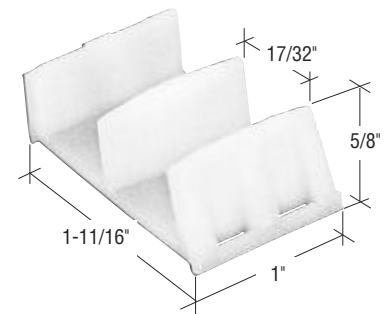


CAT. NO.	QTY/PKG
M6058	2
M6058B	20

Minimum order: 1 pack.

CRL Sliding Shower Door Bottom Guide

White nylon Bottom Guide for sliding shower doors. Used by several door manufacturers. Fits 1/2" (13 mm) door rails.

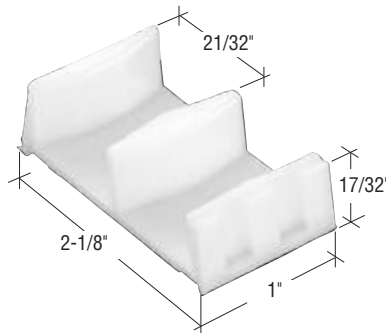


CAT. NO.	QTY/PKG
M6177	2

Minimum order: 1 pack.

CRL Sliding Shower Door Bottom Guide

White nylon Bottom Guide for sliding shower doors. Used by several door manufacturers. Fits 9/16" (14 mm) door rails.

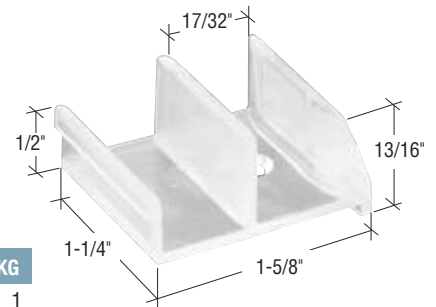


CAT. NO.	QTY/PKG
M6113	2

Minimum order: 1 pack.

CRL Sliding Shower Door Bottom Guide

Clear acrylic Bottom Guide for sliding shower doors. Fits on Sterling brand shower doors.

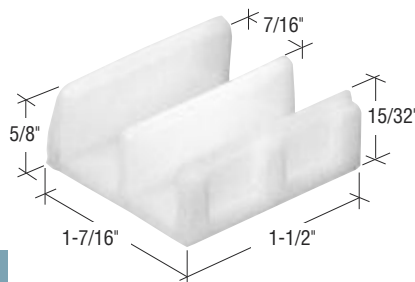


CAT. NO.	QTY/PKG
M6111	1

Minimum order: 1 pack.

CRL Sliding Shower Door Bottom Guide

White nylon Bottom Guide for sliding shower doors. Used by several door manufacturers. Fits 7/16" (14 mm) door rails.

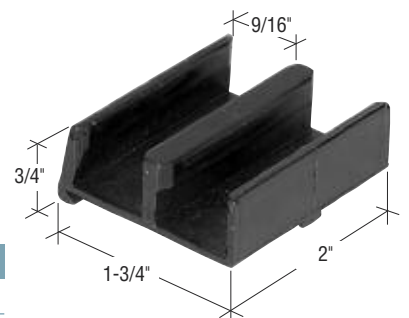


CAT. NO.	QTY/PKG
M6059	2

Minimum order: 1 pack.

CRL Sliding Shower Door Bottom Guide

Black plastic Bottom Guide for sliding shower doors. Fits on Sterling brand shower doors.



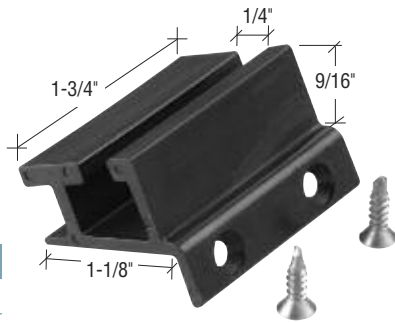
CAT. NO.	QTY/PKG
M6231	1

Minimum order: 1 pack.

All packs of Replacement Hardware can be combined for quantity pricing.

CRL Sliding Shower Door Bottom Guide

Bottom Guide for CRL "CK", "DK", and "EK" Series Frameless Sliding Shower Doors when using 1/4" (6 mm) glass.

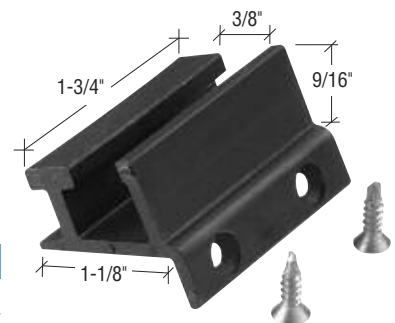


CAT. NO.	QTY/PKG
DK6914	1

Minimum order: 1 each.

CRL Sliding Shower Door Bottom Guide

Bottom Guide for CRL "CK", "DK", and "EK" Series Frameless Sliding Shower Doors when using 3/8" (10 mm) glass.

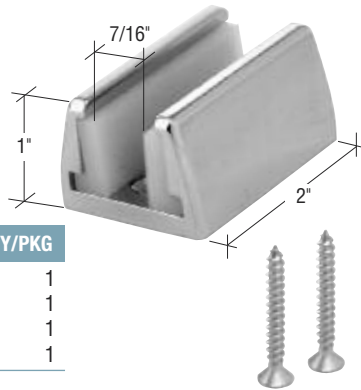


CAT. NO.	QTY/PKG
DK6938	1

Minimum order: 1 each.

CRL Hydroslide Sliding Shower Door Floor Guide

CRL Hydroslide Sliding Door Floor Guide Kit consists of one Floor Guide and two Screws. Available in four architectural finishes.

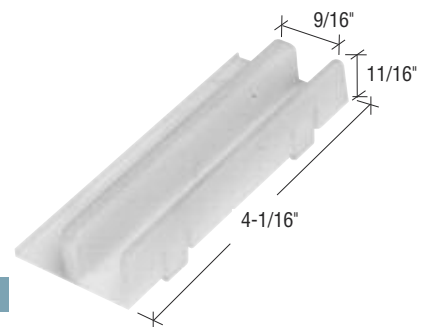


CAT. NO.	FINISH	QTY/PKG
HYD03CH	Polished Chrome	1
HYD03BR	Polished Brass	1
HYD03BN	Brushed Nickel	1
HYD03ORB	Oil Rubbed Bronze	1

Minimum order: 1 each.

CRL Sliding Shower Door Bottom Guide

Clear plastic Bottom Guide for sliding shower doors. Fits 1/2" (13 mm) door rails. Includes a two-sided clear adhesive strip for mounting guide.

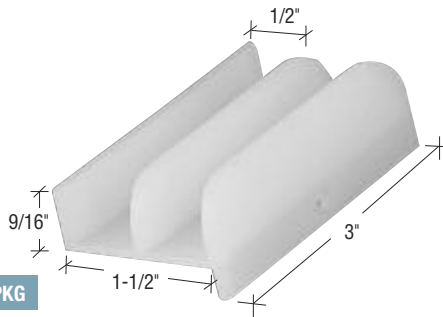


CAT. NO.	QTY/PKG
M6067	1
M6067B	20

Minimum order: 1 pack.

CRL Sliding Shower Door Bottom Guide

White plastic Bottom Guide for sliding shower doors. Fits 1/2" (13 mm) door rails.

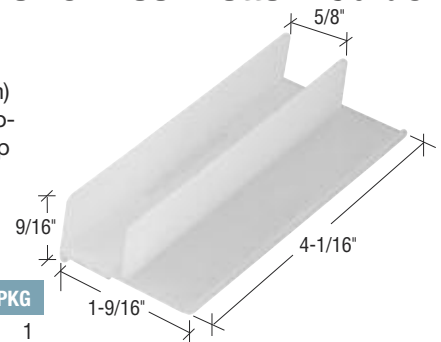


CAT. NO.	QTY/PKG
M6219	1

Minimum order: 1 pack.

CRL Sliding Shower Door Bottom Guide

White plastic Bottom Guide for sliding shower doors. Fits 7/16" (11 mm) door rails. Includes a two-sided clear adhesive strip for mounting guide.

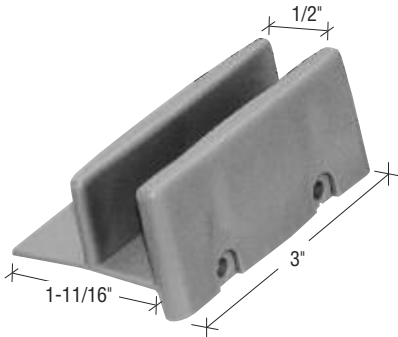


CAT. NO.	QTY/PKG
M6221	1

Minimum order: 1 pack.

CRL Sliding Shower Door Bottom Guide

Gray plastic Bottom Guide for sliding shower doors. Fits 1/2" (13 mm) door rails.

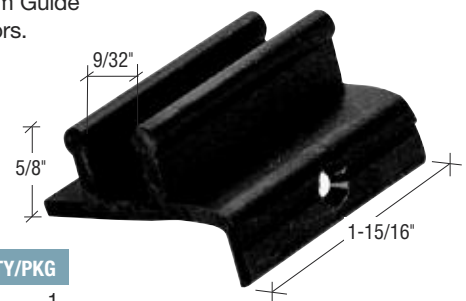


CAT. NO.	QTY/PKG
M6192	2

Minimum order: 1 pack.

CRL Sliding Shower Door Bottom Guide

Black plastic Bottom Guide for sliding shower doors.



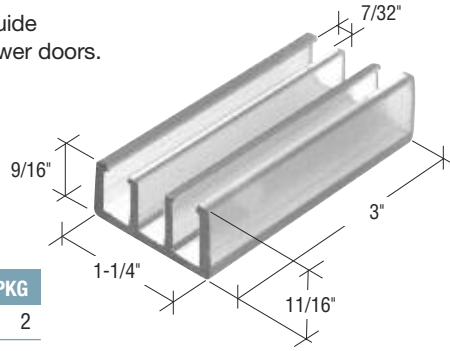
CAT. NO.	QTY/PKG
M6077	1

Minimum order: 1 pack.

All packs of Replacement Hardware can be combined for quantity pricing.

CRL Sliding Shower Door Bottom Guide

Clear nylon Bottom Guide for frameless sliding shower doors.

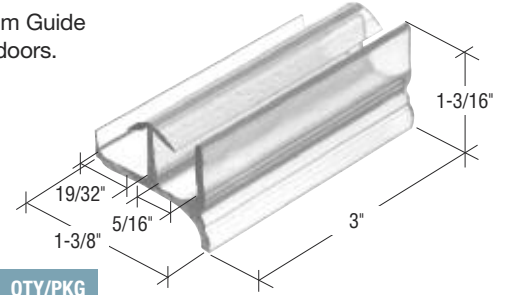


CAT. NO.	QTY/PKG
M6089	2

Minimum order: 1 pack.

CRL Sliding Shower Door Bottom Guide

Clear vinyl Bottom Guide for sliding shower doors.

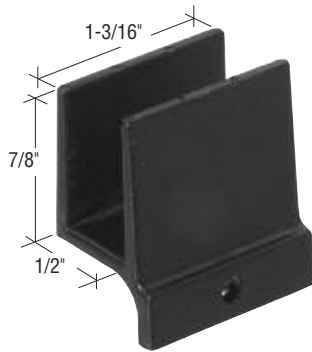


CAT. NO.	QTY/PKG
M6144	1

Minimum order: 1 pack.

CRL Sliding Shower Door Bottom Guide

Black plastic Bottom Guide for sliding shower doors.

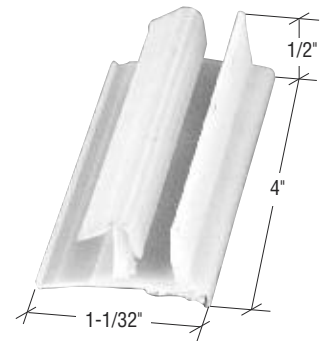


CAT. NO.	QTY/PKG
M6209	1

Minimum order: 1 pack.

CRL Sliding Shower Door Bottom Guide

Rigid white vinyl Bottom Guide for sliding shower doors.

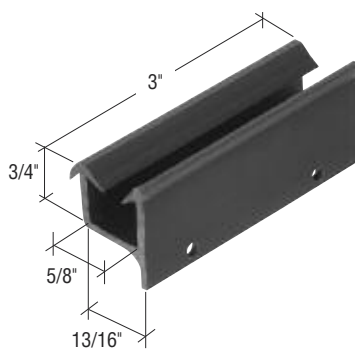


CAT. NO.	QTY/PKG
M6222	2

Minimum order: 1 pack.

CRL Sliding Shower Door Bottom Guide

Black plastic Bottom Guide for sliding shower doors.

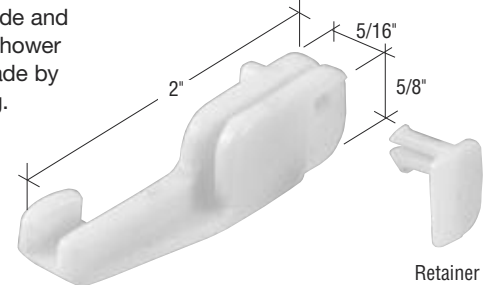


CAT. NO.	QTY/PKG
M6195	1

Minimum order: 1 pack.

CRL Sliding Shower Door Bottom Guide

Nylon Bottom Guide and Retainer for sliding shower doors. Fits doors made by Kinkead and Sterling.

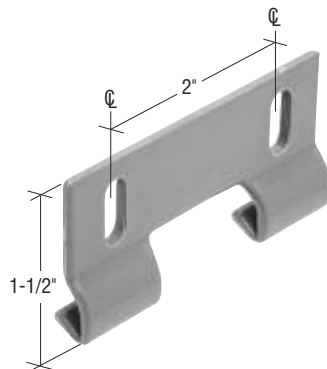


CAT. NO.	QTY/PKG
M6090	2

Minimum order: 1 pack.

CRL Sliding Shower Door Hook Guide

Gray plastic Bottom Guide and door retainer for sliding shower doors.

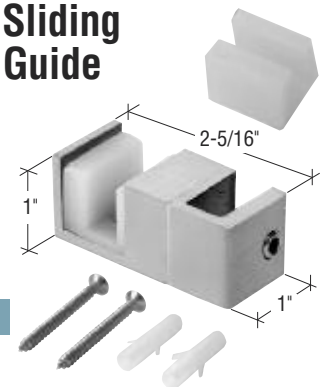


CAT. NO.	QTY/PKG
M6191	2

Minimum order: 1 pack.

CRL Deluxe Serenity Sliding Shower Door Bottom Guide

This Door Guide attaches to the fixed panel on Deluxe Serenity Series Shower Door applications to keep the sliding panel in line. Nylon pieces are included for both 3/8" and 5/16" (10 and 8 mm) thick glass.



CAT. NO.	FINISH	QTY/PKG
SERNG2BS	Brushed Stainless	1
SERNG2PS	Polished Stainless	1

Minimum order: 1 each.

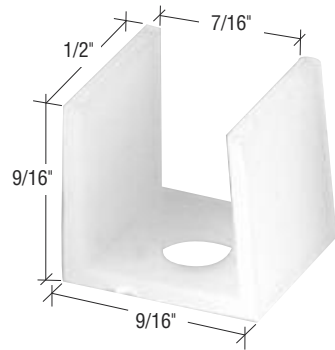
All packs of Replacement Hardware can be combined for quantity pricing.

CRL SHOWER DOOR REPAIR AND REPLACEMENT HARDWARE

For Pricing Visit crlaurence.com or Call Us Toll Free at the Phone Numbers Shown on the Back Cover

CRL Sliding Shower Door Bottom Guide

White nylon Bottom Guide for sliding shower doors. Fits onto bottom edge of framed door rail.

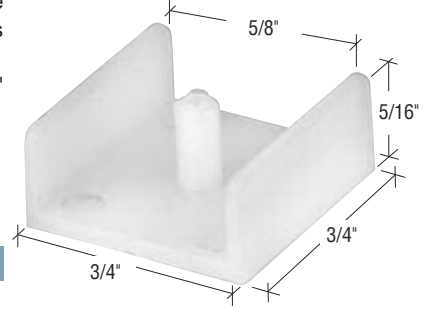


CAT. NO.	QTY/PKG
M6063	2

Minimum order: 1 pack.

CRL Sliding Shower Door Bottom Guide

White nylon Bottom Guide for sliding shower doors. Fits onto bottom edge of framed door rail. Fits doors with 5/8" (16 mm) thick door rails.

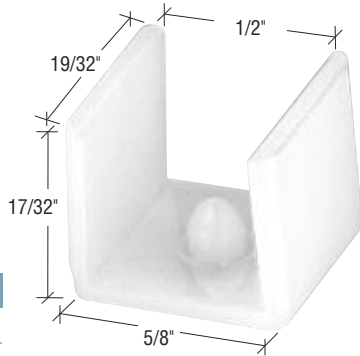


CAT. NO.	QTY/PKG
M6039	2

Minimum order: 1 pack.

CRL Sliding Shower Door Bottom Guide

White nylon Bottom Guide for sliding shower doors. Fits onto bottom edge of framed door rail.

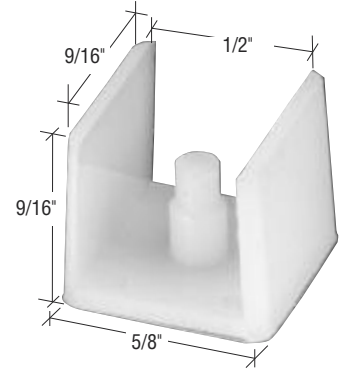


CAT. NO.	QTY/PKG
M6060	2

Minimum order: 1 pack.

CRL Sliding Shower Door Bottom Guide

White nylon Bottom Guide for sliding shower doors. Fits onto bottom edge of framed door rail.

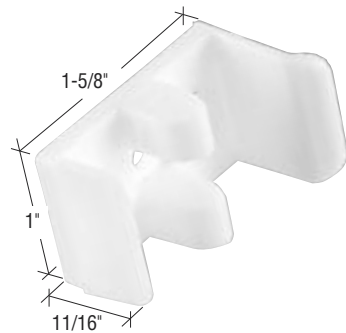


CAT. NO.	QTY/PKG
M6061	2

Minimum order: 1 pack.

CRL Sliding Shower Door Jamb Guide

White plastic Side Jamb Guide. Fits on Sterling brand shower doors.

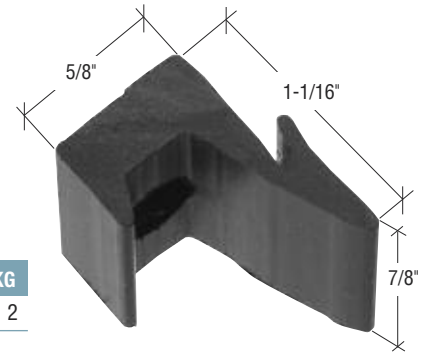


CAT. NO.	QTY/PKG
M6112	1

Minimum order: 1 pack.

CRL Sliding Shower Door Jamb Guide

Black vinyl Side Jamb Guide for shower doors.

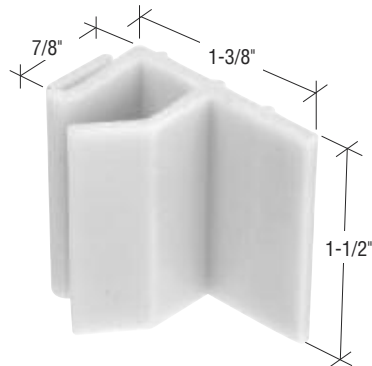


CAT. NO.	QTY/PKG
M6120	2

Minimum order: 1 pack.

CRL Sliding Shower Door Jamb Guide

White nylon Side Jamb Guide. Cushions as well as guides sliding glass door back into jamb pocket.

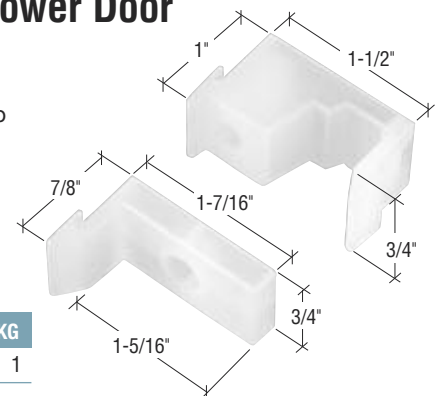


CAT. NO.	QTY/PKG
M6091	2

Minimum order: 1 pack.

CRL Sliding Shower Door Jamb Guide

Clear plastic Side Jamb Guide and Bumper Set.



CAT. NO.	QTY/PKG
M6218	1

Minimum order: 1 pack.

All packs of Replacement Hardware can be combined for quantity pricing.



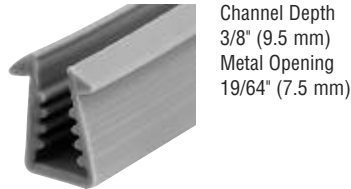
C.R. LAURENCE COMPANY

crlaurence.com | usalum.com

366J | crlaurence.ca crlaurence.com.au crlaurence.co.uk crlaurence.de crlaurence.eu

CRL Shower Door Vinyl

This gray vinyl is made of 100% extruded virgin vinyl, used to repair, re-glaze or manufacture shower doors. For glass thickness 7/32" to 1/4" (5.5 to 6 mm).



CAT. NO.	FITS GLASS	ROLL LENGTH
SDV732C	7/32" to 1/4" (5.5 to 6 mm)	100' (30.5 m)
SDV732M	7/32" to 1/4" (5.5 to 6 mm)	1000' (305 m)

Minimum order: 1 roll.

CRL Shower Door Vinyl

This gray vinyl is made of 100% extruded virgin vinyl, used to repair, re-glaze or manufacture shower doors. For glass thickness 1/4" (6 mm).

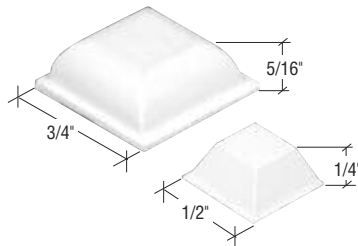


CAT. NO.	FITS GLASS	ROLL LENGTH
SDV734C	1/4" (6 mm)	100' (30.5 m)
SDV734M	1/4" (6 mm)	1000' (305 m)

Minimum order: 1 roll.

CRL Shower Door Bumper Assortment

Package contains two each 3/4" (19 mm) white Bumpers; two each 1/2" (13 mm) off-white colored Bumpers. Both are semi-soft polyurethane with adhesive backing, no screws required.

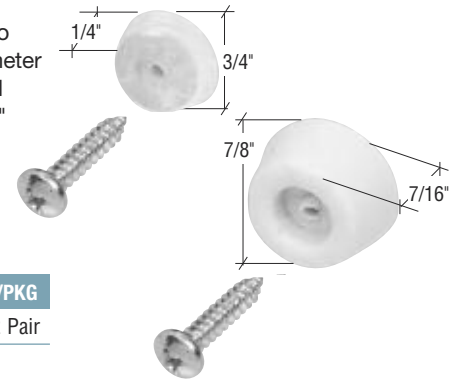


CAT. NO.	QTY/PKG
M6027	2 Pair

Minimum order: 1 pack.

CRL Shower Door Bumper Assortment

Package contains two each 3/4" (19 mm) diameter medium hard clear Vinyl Bumpers; two each 7/8" (22 mm) diameter soft white Rubber Bumpers. Screws included.

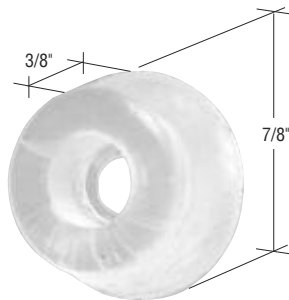


CAT. NO.	QTY/PKG
M6026	2 Pair

Minimum order: 1 pack.

CRL Shower Door Bumper

Clear polyurethane Bumper with a medium hardness. Has both an adhesive backing and center screw hole. Screws not included.

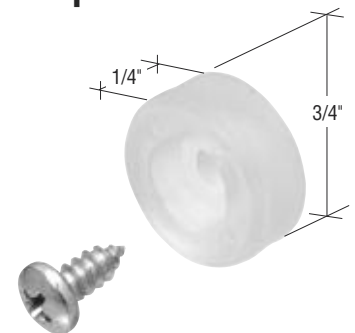


CAT. NO.	QTY/PKG
M6164	4

Minimum order: 1 pack.

CRL Shower Door Bumper

Clear vinyl Bumpers with medium hardness. Ideal for use with sliding shower doors. Screws included.

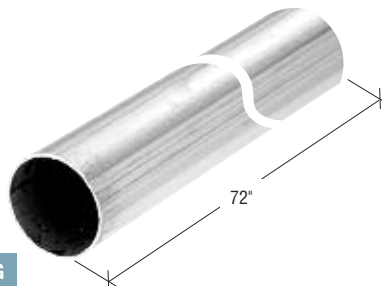


CAT. NO.	QTY/PKG
M6119	4

Minimum order: 1 pack.

CRL Shower Curtain Rod

Shower Curtain Rod is 1" (25.4 mm) in diameter and 72" (1.8 m) in length. Two finishes are available, stainless steel and anodized aluminum. Works with Cat. No. M6052 mounting brackets.



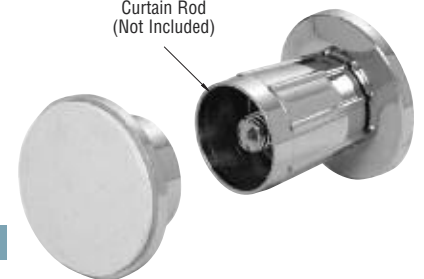
CAT. NO.	FINISH	QTY/PKG
M6140	Stainless Steel	1
M6082	Aluminum	1

Minimum order: 1 pack.

CRL Curtain Rod End Brackets

Chrome finish die cast Brackets; accepts 1" (25 mm) curtain rod; no tools necessary; simply twist to apply pressure between opposing walls.

Use With 1" Curtain Rod (Not Included)



CAT. NO.	FINISH	QTY/PKG
M6052	Chrome	1

Minimum order: 1 pack.

All packs of Replacement Hardware can be combined for quantity pricing.

CRL Pivot Door Slip-On Handle

Aluminum Slip-On Handle for pivot doors accommodates glass thicknesses from 3/16" to 1/4" (5 to 6 mm). Includes vinyl, a magnet, and stainless steel strike insert. No glass fabrication is required.

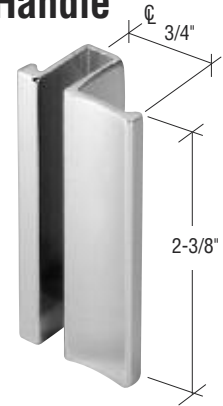


CAT. NO.	FINISH	QTY/PKG
SOH334CH	Chrome	1
SOH334BR	Brass	1
SOH334BN	Brushed Nickel	1

Minimum order: 1 each.

CRL Sliding Door Slip-On Handle

Aluminum Slip-On Handle for sliding doors to accommodate glass thicknesses from 3/16" to 1/4" (5 to 6 mm). Handle is secured to glass using silicone. No glass fabrication is required.

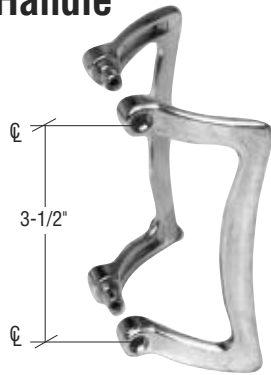


CAT. NO.	FINISH	QTY/PKG
SOH238CH	Chrome	1
SOH238BR	Brass	1
SOH238BN	Brushed Nickel	1

Minimum order: 1 each.

CRL Shower Door Pull Handle

Plated die cast Handle Set for swinging or sliding shower doors. Set includes both inside and outside pull handles, plus screws.

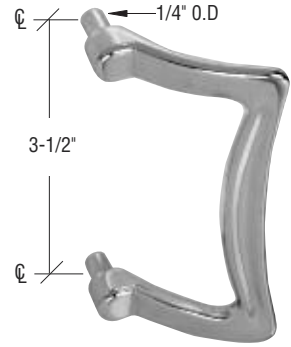


CAT. NO.	FINISH	QTY/PKG
M6029	Chrome	1

Minimum order: 1 pack.

CRL Shower Door Pull Handle

Plated die cast Pull Handle for swinging or sliding shower doors. Handle has threaded studs and screws.

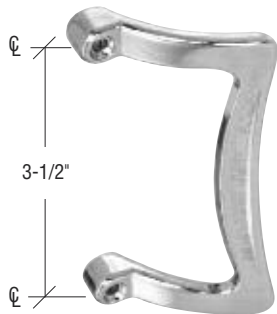


CAT. NO.	FINISH	QTY/PKG
M6018	Chrome	1
M6019	Brass	1

Minimum order: 1 pack.

CRL Shower Door Pull Handle

Plated die cast Pull Handle for swinging or sliding shower doors. Handle has through mounting holes, plus screws.

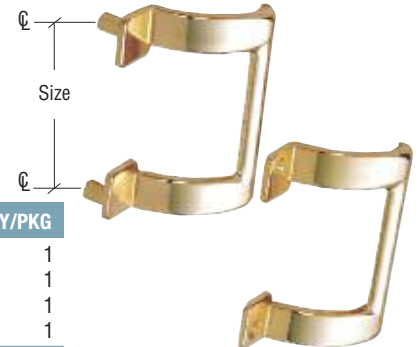


CAT. NO.	FINISH	QTY/PKG
M6016	Chrome	1
M6017	Brass	1

Minimum order: 1 pack.

CRL Shower Door Pull Handle

Plated die cast Pull Handle Set for swinging or sliding shower doors.

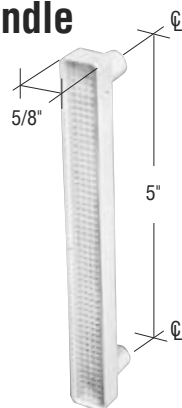


CAT. NO.	SIZE/FINISH	QTY/PKG
M6158	2" Chrome	1
M6159	2" Brass	1
M6160	2-1/4" Chrome	1
M6161	2-1/4" Brass	1

Minimum order: 1 pack.

CRL Shower Door Pull Handle

White plastic Pull Handle. Fits doors made by Kinkead.

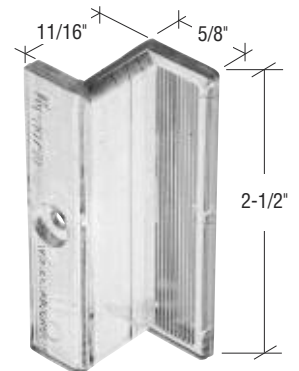


CAT. NO.	QTY/PKG
M6051	1

Minimum order: 1 pack.

CRL Shower Door Pull Handle

Clear plastic Door Handle for swinging and sliding shower doors.



CAT. NO.	QTY/PKG
M6220	2

Minimum order: 1 pack.

All packs of Replacement Hardware can be combined for quantity pricing.

CRL Tub Enclosure and Sliding Door Pull Handle

Tub Enclosure and Sliding Shower Door Pull Handle has a universal design which does not require screw holes. The extruded aluminum handle accepts 3/16" (5 mm) glass panel, and is held in place with clear silicone.

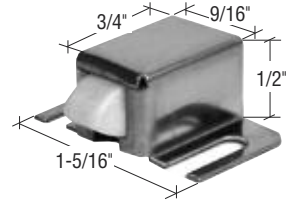


CAT. NO.	FINISH	QTY/PKG
M6142	Brushed Nickel	1

Minimum order: 1 pack.

CRL Shower Door Roller Catch

Stainless steel housing with nylon or stainless tip. Fits a large variety of swinging shower doors.

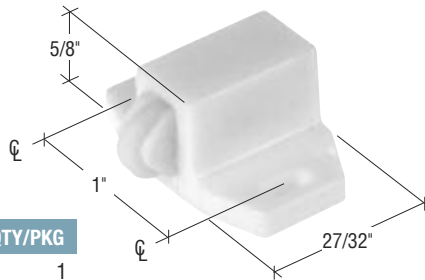


CAT. NO.	TIP	FINISH	QTY/PKG
M6014	Nylon	Stainless	1
M6014B	Nylon	Stainless	25
M6015	Stainless	Stainless	1
M6033	Nylon	Brass	1
M6128	Stainless	Brass	1

Minimum order: 1 pack.

CRL Shower Door Roller Catch

Nylon Roller Catch is spring-loaded.

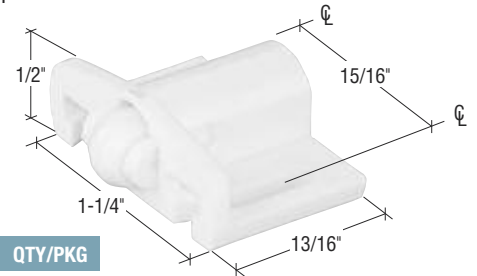


CAT. NO.	FINISH	QTY/PKG
M6064	White	1

Minimum order: 1 pack.

CRL Shower Door Roller Catch

Nylon Roller Catch is spring-loaded.

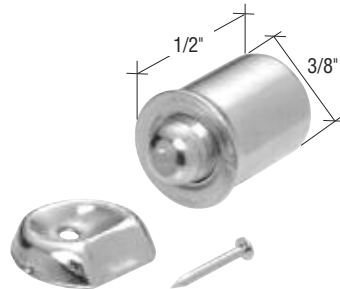


CAT. NO.	FINISH	QTY/PKG
M6213	White	1

Minimum order: 1 pack.

CRL Shower Door Bullet Catch

Nickel-plated steel, spring-loaded Bullet Catch for swinging shower doors. Fits into a 3/8" (9.5 mm) diameter hole.

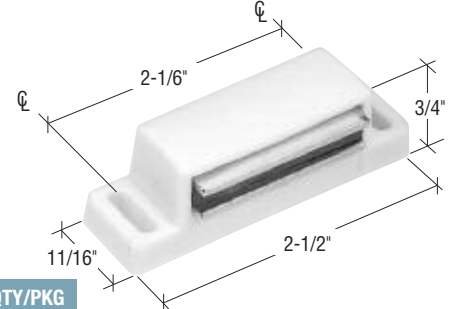


CAT. NO.	QTY/PKG
M6072	2

Minimum order: 1 pack.

CRL Shower Door Magnetic Catch

Plastic housing with magnetic insert. Used by some manufacturers as a shower or cabinet door catch. **NOTE:** Strike plate not included.

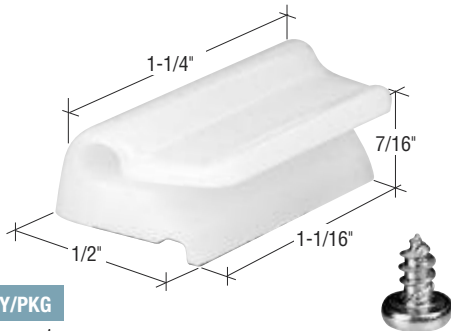


CAT. NO.	FINISH	QTY/PKG
M6050	Ivory	1

Minimum order: 1 pack.

CRL Shower Door Friction Catch

Nylon Friction Catch for swinging shower doors made by Kinhead.



CAT. NO.	QTY/PKG
M6049	1

Minimum order: 1 pack.

CRL Shower Door Pull Handle

Plastic Pull Handle Set for sliding shower doors. Vacuum plated chrome finish.



CAT. NO.	QTY/PKG
M6203	1

Minimum order: 1 pack.

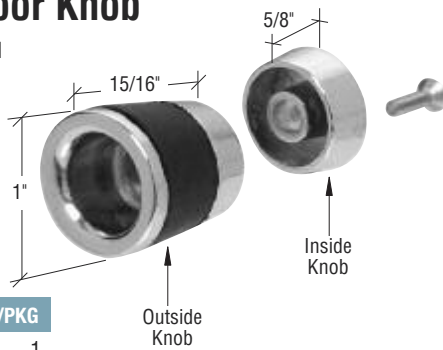
All packs of Replacement Hardware can be combined for quantity pricing.

CRL SHOWER DOOR REPAIR AND REPLACEMENT HARDWARE

For Pricing Visit crlaurence.com or Call Us Toll Free at the Phone Numbers Shown on the Back Cover

CRL Shower Door Knob

Die cast chrome plated Knobs with rubber grips. Brackets mount into a 3/8" (9.5 mm) diameter hole through the glass.

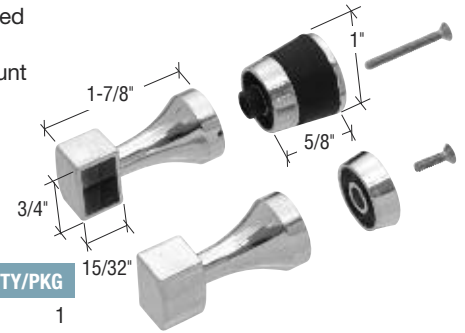


CAT. NO.	FINISH	QTY/PKG
M6099	Chrome	1

Minimum order: 1 pack.

CRL Towel Bar Brackets and Knob

Die cast chrome plated Knob with Towel Bar Brackets. Brackets mount into a 3/8" (9.5 mm) diameter hole through the glass.

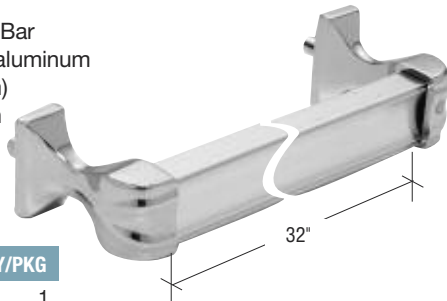


CAT. NO.	FINISH	QTY/PKG
M6098	Chrome	1

Minimum order: 1 pack.

CRL Towel Bar Kit

Plated die cast Towel Bar Brackets with extruded aluminum 3/8" x 3/4" (9.5 x 19 mm) Towel Bar. Overall length is 32" (813 mm).

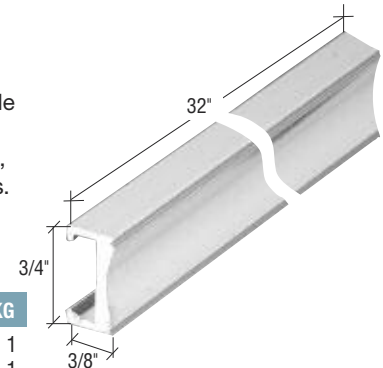


CAT. NO.	FINISH	QTY/PKG
M6093	Chrome	1
M6094	Brass	1

Minimum order: 1 pack.

CRL Towel Bar

32" (813 mm) extruded aluminum Towel Bar available in two finishes. Works with our Cat. No. M6020, M6021, M6078 and M6079 Brackets.

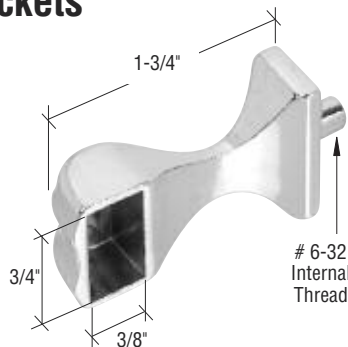


CAT. NO.	FINISH	QTY/PKG
M6073	Chrome	1
M6074	Brass	1

Minimum order: 1 pack.

CRL Towel Bar Brackets

Plated die cast Towel Bar Brackets. Use with CRL Cat. No. M6073 and M6074 Towel Bars.

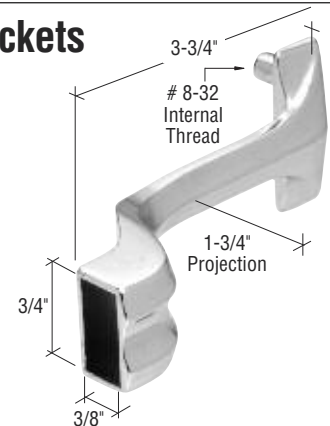


CAT. NO.	FINISH	QTY/PKG
M6020	Chrome	2
M6021	Brass	2

Minimum order: 1 pack.

CRL Towel Bar Brackets

Plated die cast Towel Bar Brackets. Use with CRL Cat. No. M6073 and M6074 Towel Bars.



CAT. NO.	FINISH	QTY/PKG
M6078	Chrome	2
M6079	Brass	2

Minimum order: 1 pack.

All packs of Replacement Hardware can be combined for quantity pricing.

CRL Adjustable Curved Shower Rods

new

- Adjustable 54" to 72" (1.37 to 1.83 m) Length to Accommodate Most Any Shower Enclosure
- Curved Rod Provides More Shower Space

Our NEW Curved Shower Adjustable Rods will provide more space for the shower enclosure. The 1" (25.4 mm) diameter Curved Adjustable Shower Rods come in a choice of durable stainless steel construction (polished and brushed), or economical zinc construction (polished chrome, polished brass, brushed nickel, oil rubbed bronze, and satin chrome). Mounting hardware is included in each box to assist with easy installation. Custom finishes are available upon demand.



CAT. NO.	MATERIAL	FINISH
ASR1CH	Zinc	Polished Chrome
ASR1SC	Zinc	Satin Chrome (matte)
ASR1BN	Zinc	Brushed Nickel
ASR1BR	Zinc	Polished Brass
ASR1ORB	Zinc	Oil Rubbed Bronze
ASR1PS	Stainless Steel	Polished Stainless
ASR1BS	Stainless Steel	Brushed Stainless

Minimum order: 1 each. Finishes can be combined for quantity pricing.



C.R. LAURENCE COMPANY

crlaurence.com | usalum.com

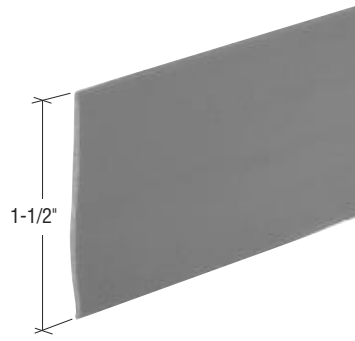
370J | crlaurence.ca crlaurence.com.au crlaurence.co.uk crlaurence.de crlaurence.eu

CRL Shower Door Bottom Seal and Wipe

Flat vinyl Bottom Seal and Wipe for swinging shower doors.

CAT. NO.	COLOR	LENGTH
M6022	Gray	36" (914 mm)
SDS200C	Gray	100' (30.5 m)
SDS200M	Gray	1000' (305 m)
M6226	Clear	36" (914 mm)

Minimum order: 1 pack.

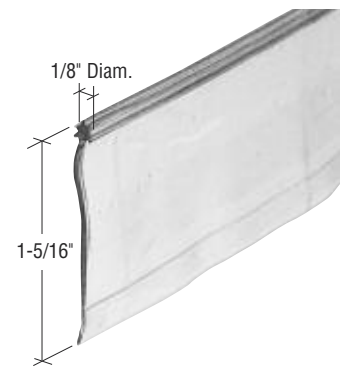


CRL Shower Door Bottom Seal and Wipe

"Star-Tip" vinyl Bottom Seal and Wipe for swinging shower doors. Installed into a slot on the bottom edge of the door.

CAT. NO.	COLOR	LENGTH
M6023	Gray	36" (914 mm)
SDS400C	Gray	100' (30.5 m)
SDS400M	Gray	1000' (305 m)
M6227	Clear	36" (914 mm)

Minimum order: 1 pack.

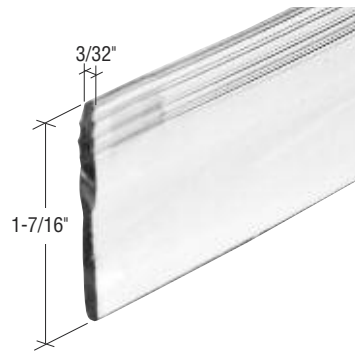


CRL Shower Door Bottom Seal and Wipe

Heavy gauge Bottom Seal and Wipe for swinging shower doors.

CAT. NO.	COLOR	LENGTH
M6092	Gray	36" (914 mm)
M6229	Clear	36" (914 mm)

Minimum order: 1 pack.

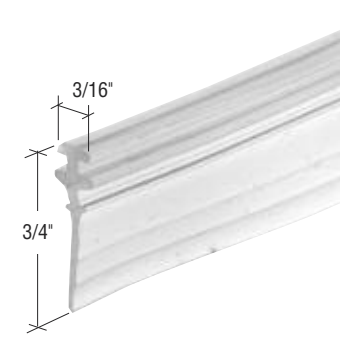


CRL Shower Door Bottom Seal and Wipe

"T" type vinyl Bottom Seal and Wipe for swinging shower doors. Installed into a slot on the bottom edge of the door.

CAT. NO.	COLOR	LENGTH
M6040	Gray	36" (914 mm)
SDS600C	Gray	100' (30.5 m)
SDS600M	Gray	1000' (305 m)
M6228	Clear	36" (914 mm)

Minimum order: 1 pack.

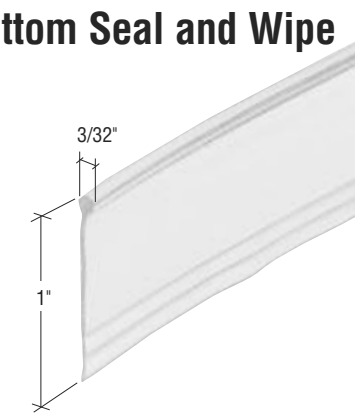


CRL Shower Door Bottom Seal and Wipe

Round top bulb type vinyl Bottom Seal and Wipe for swinging shower doors. Installed into a slot on the bottom edge of the door.

CAT. NO.	COLOR	LENGTH
M6184	Clear	36" (914 mm)

Minimum order: 1 pack.

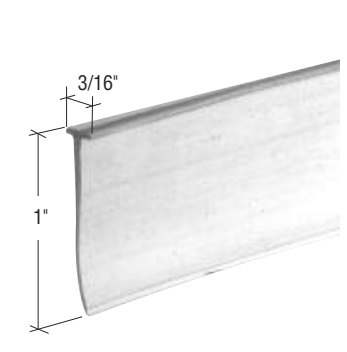


CRL Shower Door Bottom Seal and Wipe

"T" type vinyl Bottom Seal and Wipe for swinging shower doors. Installed into a slot on the bottom edge of the door.

CAT. NO.	COLOR	LENGTH
M6211	Clear	36" (914 mm)

Minimum order: 1 pack.



CRL Shower Door Bottom Seal and Wipe

"T" type vinyl Bottom Seal and Wipe for swinging shower doors. Installed into a slot on the bottom edge of the door.

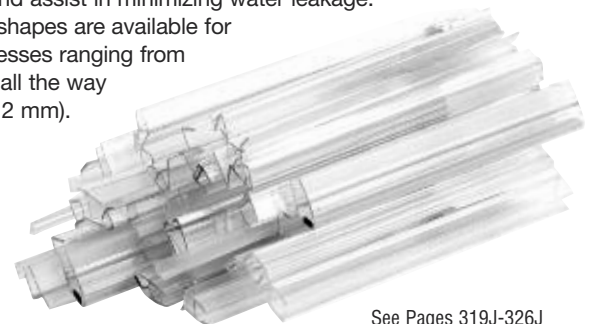
CAT. NO.	COLOR	LENGTH
M6230	Black	36" (914 mm)

Minimum order: 1 pack.



CRL Water Seals and Sweeps

Our offering of Water Seals and Sweeps allows the installer to put the finishing touch on a frameless shower enclosure, and assist in minimizing water leakage. A variety of shapes are available for glass thicknesses ranging from 1/4" (6 mm) all the way up to 1/2" (12 mm).



See Pages 319J-326J

All packs of Replacement Hardware can be combined for quantity pricing.

CRL SHOWER DOOR REPAIR AND REPLACEMENT HARDWARE

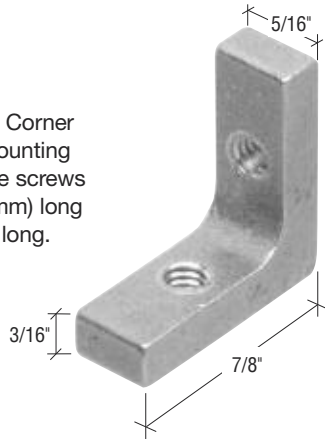
For Pricing Visit crlaurence.com or Call Us Toll Free at the Phone Numbers Shown on the Back Cover

CRL Shower Door Corner Bracket

Extruded aluminum Shower Door Corner has pre-drilled and tapped (8-32) mounting holes. For flat head Phillips machine screws order Cat. No. D121A for 3/8" (9.5 mm) long or Cat. No. D122A for 5/16" (8 mm) long. Minimum order is 100 each screws.

CAT. NO.	WIDTH	QTY/PKG
M6024	5/16" (8 mm)	4
M6024B	5/16" (8 mm)	100

Minimum order: 1 pack (or 100 each if bulk).

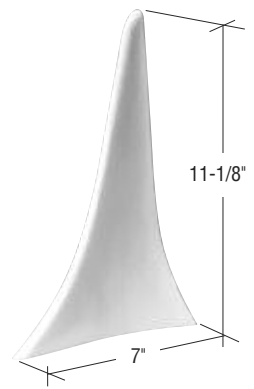


CRL Splash Guards

Porcelain color plastic Splash Guards with curved profile are packaged one right and one left per package. Mount with our Cat. No. 33SMRC Clear Silicone or similar tub caulking.

CAT. NO.	COLOR	QTY/PKG
M6087	Porcelain White	2

Minimum order: 1 pack.

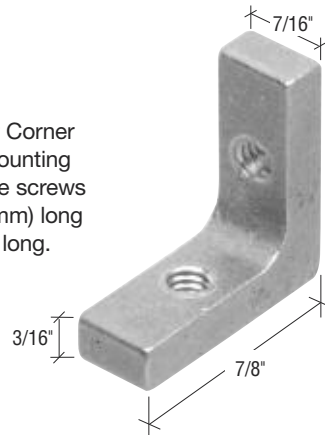


CRL Shower Door Corner Bracket

Extruded aluminum Shower Door Corner has pre-drilled and tapped (8-32) mounting holes. For flat head Phillips machine screws order Cat. No. D121A for 3/8" (9.5 mm) long or Cat. No. D122A for 5/16" (8 mm) long. Minimum order is 100 each screws.

CAT. NO.	WIDTH	QTY/PKG
M6025	7/16" (8 mm)	4
M6025B	7/16" (8 mm)	100

Minimum order: 1 pack (or 100 each if bulk).

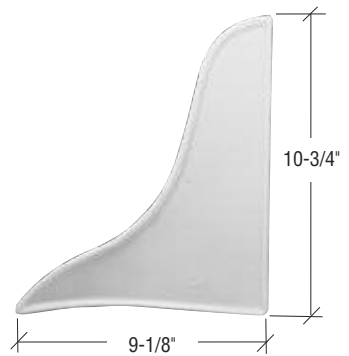


CRL Splash Guards

Plastic Splash Guards with curved profile are packaged one right and one left per package. Mount with our Cat. No. 33SMRC Clear Silicone or similar tub caulking.

CAT. NO.	COLOR	QTY/PKG
M6086	Porcelain White	2

Minimum order: 1 pack.

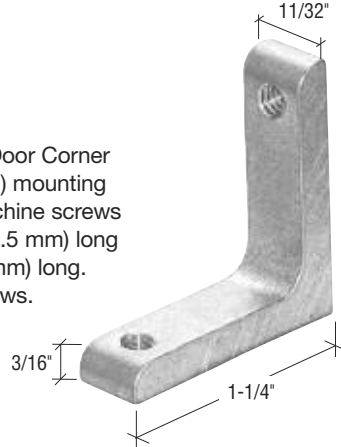


CRL Shower Door Corner Bracket

Extruded aluminum Shower Door Corner has pre-drilled and tapped (8-32) mounting holes. For flat head Phillips machine screws order Cat. No. D121A for 3/8" (9.5 mm) long or Cat. No. D122A for 5/16" (8 mm) long. Minimum order is 100 each screws.

CAT. NO.	QTY/PKG
M6165	4

Minimum order: 1 pack.

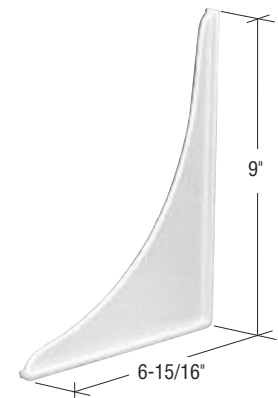


CRL Splash Guards

Porcelain color plastic Splash Guards with flat profile come with double faced adhesive foam tape for quick installation. Non-handed.

CAT. NO.	COLOR	QTY/PKG
M6085	Porcelain White	2

Minimum order: 1 pack.



All packs of Replacement Hardware can be combined for quantity pricing.

CRL Privacy Latch Set



CAT. NO. D44B



CAT. NO. D44BC

• Two Finish Combinations

Tulip design Privacy Latch Set with a 2-3/8" (60 mm) backset is ideal for bedroom and bathroom doors. Available in an all-brass finish or a brass and chrome combination, which is popular for bathroom doors.

CAT. NO.	FINISH	QTY/PKG
D44B	All-Brass	1 set
D44BC	Brass/Chrome	1 set

Minimum order: 1 each. All Finishes can be combined for quantity pricing.



C.R. LAURENCE COMPANY

crlaurence.com | usalum.com

372J | crlaurence.ca crlaurence.com.au crlaurence.co.uk crlaurence.de crlaurence.eu



3

Bathroom and Shower Accessories

- BATH AND SHOWER DESIGNER ACCESSORIES
- SHELVING KITS
- SHELF BRACKETS AND CLAMPS
- VANITY MIRRORS
- DECORATIVE MIRRORS
- MIRROR DEFOGGERS
- MIRROR FRAMES
- MIRRORED COVER PLATES AND GRILLES
- BEVELED MIRROR PARTS

See other side for Section Index.

CRL[®]
U.S. ALUMINUM
crlaurence.com • usalum.com

SECTION 3 INDEX

For a complete index to this catalog, turn to Section 5. To search for all CRL products, go to CRL Total Search at crlaurence.com.

A

Acrylic	
Mirror Bathroom Accessories	374J-375J
Mirror Grilles	430J
Mirror Knobs and Pulls	375J
Outlet Cover Plates	416J-429J
Adjustable Louver Acrylic Mirror Grilles	430J
Adjustable Stainless Steel Framed Mirror	414J

Aluminum

Extrusions for Glass Shelving	383J
Mirror Frame Molding	403J
Mirror Frames and Shelves	402J, 406J, 409J-410J
Mirror Standards	394J
Shelf Brackets	387J, 394J
Wall Mount Standards	394J

B

Baguettes, Mirror	431J
Bars, Towel	374J, 378J-379J
Bathroom Accessories to Match Hinges	378J-379J
Bathroom Accessories, Mirrored	374J-375J
Beveled Mirror Parts and Strips	432J-433J
Blank Outlet Cover Plates	425J
Brackets, Shelf	387J, 394J
Brass Metal Outlet Cover Plates	416J-421J
Bull Nose Mirror Frame Extrusion	404J

C

Cable Glass Shelf Kits	385J-386J
Clamps for Glass Shelves	389J-393J
Clear View Mirror Defoggers	398J-399J
Corner Glass Shelf Kits	385J
Cover Plates	416J-429J
Custom Glass Outlet Cover Plates	427J
Custom Mirror Frames	402J, 405J, 408J, 410J, 413J
Custom Mirror Grilles	431J

D

Decorative Aluminum Mirror Frames	404J-405J
Decorative Posters	436J
Defoggers for Mirrors	398J-399J
Designer Bathroom Accessories	376J-380J
Dimmer Switch Cover Plates	423J
Dimmer Switch Knob	423J
Double Hinged Mirrors	402J
Dual-Arm Vanity Mirrors	395J

E

Extendable Squeegee	380J
Extrusions for Glass Shelving	383J
Extrusions for Mirrors	406J-407J

F

Fogless Magnifying Mirrors	397J
Frame Extrusions for Mirrors	406J-407J
Framed Pivot Mirrors	402J
Frameless Pivot Mirrors	400J
Frameless Stainless Steel Mirrors	413J
Fully Beveled Mirror Parts	432J

G

Geneva Series Bathroom Accessories	378J
Glass	
Mirror Grilles	430J
Outlet Cover Plates	416J-429J
Shelf Kits	384J-386J

Shelves	378J-379J, 382J
Shelving Extrusions	383J
Grilles, Louvered	430J

H

Hanger Set for Frame Molding	403J
Hanging Cleat, Mirror Frame	405J
Hinge, Triple Mirror	402J

I

Integral Shelf for Mirror Frames	411J
Interior Shelf Clamps	389J

K

Kits for Glass Shelves	383J-386J
Knobs and Pulls, Mirror	375J

L

Lighted Mirrors	395J-397J
Liquid Soap Dispensers	376J
Louvered Acrylic Mirror Grilles	430J

M

Magnifying Mirrors	395J-397J
Metal Outlet Cover Plates	415J-421J
Mirror	

Baguettes	431J
Cleaner and Polish	414J, 419J
Corners, Beveled	432J-433J
Defoggers	398J-399J
Frame Extrusions	404J-407J
Grilles	430J-431J
Outlet and Switch Hole Nibbler	427J
Outlet Cover Plate Display	429J
Outlet Template Set	427J
Plates	416J-429J
Pulls	375J
Standards and Brackets	394J
Strips	432J-433J
Mirrored Bathroom Accessories	374J-375J
Mirrored Outlet Cover Plates	416J-429J
Mirrors, Lighted	395J-397J
Mirrors, Stainless Steel	412J-413J
Nibbler Tool	427J
No-Drill Glass Shelf Clamps	390J

O

Outlet Cover Plate Shims	424J
Outlet Cover Plates	415J-429J
Outlet Template Set	427J
Oval Mirror Defoggers	399J

P

Pedestal Vanity Mirrors	396J
Pinnacle Series Bathroom Accessories	379J
Pivot Mirrors	400J-402J
Pivot-N-Vue Double Hinged Mirrors	402J
Plastic Cleaner and Polish	420J
Plates, Outlet Cover	416J-429J
Posters, Decorative	436J

Q

Quarter Round Tempered Glass Shelves	382J
Quik-Draw Mirror Outlet Template Set	427J

R

Rectangular Mirror Defoggers	399J
Rectangular Mirror Frame Extrusion	404J
Rectangular Tempered Glass Shelves	382J
Reflective Tape	407J
Rings, Towel	374J, 378J-379J
Robe Hooks	374J, 377J
Round Mirror Defoggers	399J

S

Shampoo Dispensers	376J
Shelf	
Brackets	387J-388J, 390J, 394J
Clamps	389J-391J
Clip Kits	386J
Extrusion for Mirror Frames	407J
Rod and Supports	388J
Shelving Extrusions	383J
Shower Interior Shelf Clamps	389J
Shower Squeegee	380J
Sleeve-Over Robe Hooks	377J
Slot Mount Standoffs	389J
Soap Dishes	374J, 378J-379J
Squeegees	380J
Stainless Steel	
Mirrors	412J-413J
Polish and Cleaner	414J
Theft-Proof Mirror Frames	411J-413J
Tilting Mirrors	414J
Standoff Systems	434J-435J
Suction Cup Mirrors	397J
Surround Light Mirrors	395J-397J
Switch and Outlet Shims	424J
Switch Hole Nibbler Tool	427J
Switch Plates	416J-429J
Swivel Magnifying Mirrors	397J

T

Tape, Reflective	407J
Tempered Glass Shelves	382J
Template Set for Mirror Outlet Cut-Outs	427J
Theft-Proof Mirror Frames	411J-413J
Tilting Stainless Steel Mirrors	414J
Toilet Paper Roll Holders	374J, 377J-379J
Toothbrush Holders	374J, 378J-379J
Towel Bars	374J, 378J-379J
Towel Rings	374J, 378J-379J
Triple Mirror Frames	406J, 408J
Triple Mirror Hinge	402J

U

Universal Frame Hanging Cleat	403J
Universal Glass Clamps	392J

V

Vanity Mirrors	395J-397J
Victorian Mirror Frame Extrusion	404J

W

Wall Mount Vanity Mirrors	395J
Wall Mounted Soap Dispensers	376J

SECTION 3 QUICK MENU

CRL23R has over 500 pages of products organized by specific product categories.
For the fastest way to find what you want, check our A to Z Product Index starting on page 566J.

DESIGNER BATH ACCESSORIES

PAGES 374J-380J



GLASS SHELF HARDWARE

PAGES 381J-394J



MIRRORS AND ACCESSORIES

PAGES 395J-414J



OUTLET COVER PLATES

PAGES 415J-433J



CRL Acrylic Mirror Towel Bar



- Powerful Adhesive Base
- Available in Three Lengths

This CRL Acrylic Mirror Towel Bar will beautifully complement your mirrored wall installation. An adhesive backing on each base makes it easy to install. Bar has a diameter of 3/4" (19 mm).

CAT. NO.	COLOR	DESCRIPTION
MTBC12	Clear	12" (305 mm) Towel Bar
MTBC18	Clear	18" (457 mm) Towel Bar
MTBC24	Clear	24" (610 mm) Towel Bar

Minimum order: 1 each. All acrylic accessories can be combined for quantity pricing.

CRL Acrylic Mirror Toilet Paper Holder

- Powerful Adhesive Base
- Heavy-Duty and Completely Functional



This CRL Acrylic Mirror Toilet Paper Holder has strong adhesive on the base which makes this product very easy to install. The Holder has a beautiful, clear reflective finish that provides a complete mirrored look for the bathroom.

CAT. NO.	COLOR	DESCRIPTION
MPHC11	Clear	Toilet Paper Holder

Minimum order: 1 each. All acrylic accessories can be combined for quantity pricing.

CRL Acrylic Mirror Robe Hooks

- Available in Single and Double Hook Configurations
- Polished Bevel Edges
- Adhesive Backing



This CRL Acrylic Mirror Robe Hook is available in both single and double hook configurations. There are no holes to drill, simply peel off the protective paper backing and apply directly to clean mirror or glass surface.

CAT. NO.	DESCRIPTION	COLOR	BASE SIZE
MRHC10	Single Robe Hook	Clear	1-7/8" (47.6 mm) x 1-7/8" (47.6 mm)
MRHC12	Double Robe Hook	Clear	3-1/2" (89 mm) x 1-7/8" (47.6 mm)

Minimum order: 1 each. All acrylic accessories can be combined for quantity pricing.

CRL Acrylic Mirror Towel Ring

- Made From 100% Clear Acrylic
- Holds Hand or Bath Towels
- Adhesive Backing



Made of tough clear acrylic, this CRL Acrylic Mirror Towel Ring is mounted to a clear acrylic mirror base. The base has beveled edges and an adhesive backing. Installation is simple, just peel and stick to the clean surface.

CAT. NO.	COLOR	DESCRIPTION
MTRC1	Clear	5" (127 mm) Hand Towel Ring
MTRC2	Clear	7" (178 mm) Bath Towel Ring

Minimum order: 1 each. All acrylic accessories can be combined for quantity pricing.

CRL Acrylic Mirror Toothbrush Holder

- Made From 100% Clear Acrylic
- Adhesive Backing

This CRL Acrylic Mirror Toothbrush Holder has openings to accommodate up to four toothbrushes. The acrylic mirrored base has beveled edges and an adhesive backing. To install, simply peel the adhesive backing paper off and press against the clean surface.



CAT. NO.	COLOR	DESCRIPTION
MTHC4	Clear	Toothbrush Holder

Minimum order: 1 each. All acrylic accessories can be combined for quantity pricing.

CRL Acrylic Mirror Soap Dish

- 100% Clear Acrylic
- Wall Mounted
- Adhesive Backing



Our MSDC1 Soap Dish is made of clear acrylic, mounted on a mirrored acrylic base. The dish can be removed from the base for easy cleaning. The base has beveled edges and an adhesive backing for simple peel and stick installation.

CAT. NO.	COLOR	DESCRIPTION
MSDC1	Clear	Soap Dish

Minimum order: 1 each. All acrylic accessories can be combined for quantity pricing.

CRL Acrylic Mirror Knobs (Stick-On Type)

- Satin Bevel
- Just Peel and Apply



CRL's Acrylic Mirror Knobs are one of our most popular products designed for sliding mirror cabinet doors. High quality pressure sensitive adhesive will easily attach to most smooth surfaces. No holes to drill, just peel and apply directly to the glass. Base size: 1" x 1" (25.4 x 25.4 mm).

CAT. NO.	COLOR	QTY/PACK
MKC1	Clear	12
MKB2	Bronze	12

Minimum order: 1 each. All Mirror Pulls and Knobs can be combined for quantity pricing.

CRL Acrylic Small Mirror Pulls (Stick-On Type)

- Polished Bevel
- Easy to Install



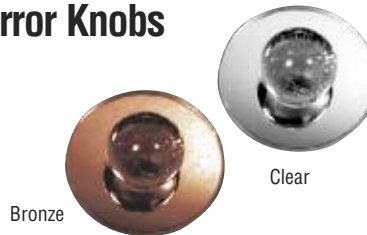
CRL Acrylic Small Mirror Pulls are very easy to install. No holes to drill, just simply peel off the protective paper and apply directly to glass, mirror or non-porous surface. Available in clear or bronze. Base size: 1-3/4" x 1-3/4" (44.4 x 44.4 mm).

CAT. NO.	COLOR	QTY/PACK
SMPC3	Clear	12
SMPB4	Bronze	12

Minimum order: 1 each. All Mirror Pulls and Knobs can be combined for quantity pricing.

CRL Acrylic Ball Mirror Knobs (Stick-On Type)

- Just Peel and Apply
- Ideal for Sliding Doors



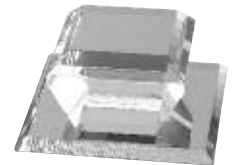
CRL's Acrylic Ball Mirror Knobs are designed for sliding mirror doors. High quality pressure sensitive adhesive will easily attach to most smooth surfaces. No holes to drill, just peel and apply directly to glass. Base size: 2" (51 mm) diameter.

CAT. NO.	COLOR	QTY/PACK
3401707	Clear	12
3401708	Bronze	12

Minimum order: 1 each. All Mirror Pulls and Knobs can be combined for quantity pricing.

CRL Acrylic Hand Cut Square Mirror Pull (Stick-On Type)

- Polished Bevel
- Just Peel and Apply



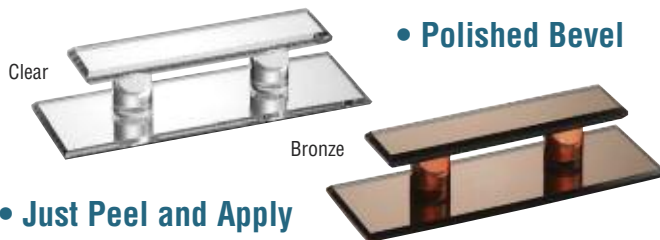
CRL Acrylic Hand Cut Square Mirror Pull will definitely please designers and customers alike. It is slightly larger than regular pulls, giving it a distinctive look, while providing an easier grasp. Hand cut and hand polished. Self-stick backing easily applies on glass, mirrors and other surfaces. Base size: 2" x 2" (51 x 51 mm).

CAT. NO.	COLOR	QTY/PACK
3401710	Clear	12

Minimum order: 1 each. All Mirror Pulls and Knobs can be combined for quantity pricing.

CRL Acrylic Large Mirror Pulls (Stick-On Type)

- Polished Bevel
- Just Peel and Apply



This CRL Acrylic Large Mirror Pull has a 5" x 1-3/4" (127 x 44.4 mm) base with pressure sensitive adhesive for easy application. No holes to drill, simply peel off the protective backing paper and apply directly to glass, mirror or non-porous surface.

CAT. NO.	COLOR	QTY/PACK
LMPC5	Clear	12
LMPB6	Bronze	12

Minimum order: 1 each. All Mirror Pulls and Knobs can be combined for quantity pricing.

CRL Acrylic Mirror Finger Pull (Stick-On Type)

- Ideal for Sliding Doors
- Just Peel and Apply

This CRL Clear Acrylic Mirror Finger Pull measures 1" x 3" (25.4 mm x 76.2 mm) and has a clear mirror base. It is an excellent choice for sliding mirror cabinet doors since there is no protrusion to impede the doors that bypass one another. There is a self-adhesive foam backing which holds it securely to glass or mirror surfaces.



CAT. NO.	COLOR	QTY/PACK
MFPC8	Clear	12

Minimum order: 1 each. All acrylic accessories can be combined for quantity pricing.

CRL ACRYLIC BATHROOM ACCESSORIES

For Pricing Visit crlaurence.com or Call Us Toll Free at the Phone Numbers Shown on the Back Cover

CRL Acrylic Finger Pull With Screw

- Durable and Long Lasting
- Easy to Install



The CRL Clear Acrylic Finger Pull with Screw is an extremely functional door pull designed for cabinets or showcases. The clear acrylic pull is both attractive and very durable. Measures 1" (25.4 mm) long x 3/4" (19 mm) in diameter. Requires a 3/8" (9.5 mm) hole for installation. Maximum panel thickness with supplied screw is 3/8" (9.5 mm).

CAT. NO.	COLOR	QTY/PACK
37P	Clear	12

Minimum order: 1 each. All acrylic accessories can be combined for quantity pricing.

CRL Acrylic Whistle Pull With Screw

- Handy Finger Grip
- Screws on Easily



This CRL Acrylic Whistle Pull Knob is perfectly suited for use on drawers and cabinet doors. Its subtle design and clean, clear acrylic color complements mirrored surfaces. Measures 1" (25.4 mm) long x 5/8" (16 mm) in diameter. Supplied screw accommodates panels from 1/2" to 3/4" (12 to 19 mm) thick.

CAT. NO.	COLOR	QTY/PACK
AP6110	Clear	12

Minimum order: 1 each. All acrylic accessories can be combined for quantity pricing.

CRL Wall Mounted Dispensers

- Elegantly Designed Dispensers Perfect for the Shower or Vanity
- Easy to Fill and Push-Button Convenient
- Eliminates Bath and Shower Clutter
- Installs in Minutes Without Tools

These translucent plastic containers hold 10 ounces (300 ml) of your favorite shampoo, conditioner, liquid soap or lotion. A push-button pump pre-measures just the right amount every time. Installation takes just minutes, and requires no tools because each unit comes with silicone and two-way foam mounting tape. Labels to mark the containers and full instructions are included.



Single Dispenser



Double Dispenser



Triple Dispenser

CAT. NO.	FINISH
78164	Satin Nickel

Minimum order: 1 each.

CAT. NO.	FINISH
78264	Satin Nickel

Minimum order: 1 each.

CAT. NO.	FINISH
78364	Satin Nickel

Minimum order: 1 each.

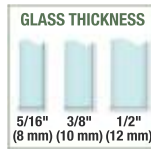


C.R. LAURENCE COMPANY

crlaurence.com | usalum.com

376J | crlaurence.ca crlaurence.com.au crlaurence.co.uk crlaurence.de crlaurence.eu

CRL Designer Series Robe Hook



Solid brass Designer Series Robe Hook is available in many popular finishes. Adjusts for through-glass mounting installations for 5/16" (8 mm) to 1/2" (12 mm) glass. A 1/2" (12 mm) diameter hole is required. The Hook may also be adhered to any glass thickness with UV Adhesive (see page 496J) to avoid drilling, or mounted to wall with supplied Hanger Bolt. Clear gaskets are included.

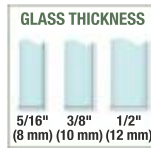
- Complements Shower Enclosures Using Pinnacle, Cologne, Prima, Estate, Trianon, and Petite Series or Other CRL Beveled Corner Hinges
- Available in Several Popular Finishes



CAT. NO.	FINISH
DRH1CH	Polished Chrome
DRH1BSC	Brushed Satin Chrome
DRH1BR	Polished Brass
DRH1ABR	Antique Brass
DRH1BN	Brushed Nickel
DRH1PN	Polished Nickel
DRH1ORB	Oil Rubbed Bronze
DRH1SN	Satin Nickel

Minimum order: 1 each.

CRL Designer Series Sleeve-Over Robe Hook



CRL's solid brass Designer Series Sleeve-Over Robe Hook mounts on the top of 5/16" (8 mm) to 1/2" (12 mm) glass without the need for drilling or notching the glass. It can be positioned anywhere you want along the top of the glass, and is secured in place by tightening a nylon-tipped Allen set screw. Clear gaskets are included.

- No Holes Required
- Available in Several Designer Finishes
- Mounts to 5/16" to 1/2" Thick Glass (8 to 12 mm)



CAT. NO.	FINISH
SORH1CH	Polished Chrome
SORH1BSC	Brushed Satin Chrome
SORH1BR	Polished Brass
SORH1ABR	Antique Brass
SORH1BN	Brushed Nickel
SORH1PN	Polished Nickel
SORH1ORB	Oil Rubbed Bronze

Minimum order: 1 each.

CRL Deluxe Tissue Paper Roll Holder



CRL's Deluxe Tissue Paper Roll Holder is made of solid brass in several designer finishes. This unique design provides an ideal method for securing the Deluxe Tissue Holder through fixed glass enclosure panels. A 1/2" (12 mm) diameter hole is required for installation.

- Attractive and Unique Tissue Roll Holder Made of Solid Brass
- Ideal for Securing Through 5/16" to 1/2" (8 to 12 mm) Thick Fixed Enclosure Panel
- Available in Several Designer Finishes



CAT. NO.	FINISH
TPH1CH	Polished Chrome
TPH1SC	Satin Chrome (Matte)
TPH1BR	Polished Brass
TPH1BN	Brushed Nickel
TPH1GP	Gold Plated
TPH1W	White
TPH1ORB	Oil Rubbed Bronze

Minimum order: 1 each.

CRL Geneva Series Glass Shelf

- Styled to Complement Enclosures Using Geneva Series or Other Square Cornered CRL Hinges
- Available in Three Popular Finishes



Beautiful 5/16" (8 mm) thick tempered glass shelf has polished flat arris edge, and measures 18" x 5" (457 mm x 127 mm). Supported by two Geneva style wall-mounted brackets with concealed fasteners.

CAT. NO.	FINISH
GEN812CH	Polished Chrome
GEN812BR	Polished Brass
GEN812BN	Brushed Nickel

Minimum order: 1 each.

CRL Geneva Series Towel Bar

- Styled to Complement Enclosures Using Geneva Series or Other Square Cornered CRL Hinges

Please see pages 136J-144J for Geneva Hinges



Towel Bars come in 18" (457 mm) and 24" (610 mm) lengths with brackets styled to complement our popular Geneva Series Hinges. Bar measures 5/8" (16 mm) in diameter. Concealed fasteners included.

CAT. NO.	SIZE	FINISH
GEN80018CH	18"	Polished Chrome
GEN80018BR	18"	Polished Brass
GEN80018BN	18"	Brushed Nickel
GEN80024CH	24"	Polished Chrome
GEN80024BR	24"	Polished Brass
GEN80024BN	24"	Brushed Nickel

Minimum order: 1 each.

CRL Geneva Series Soap Dish

- Styled to Complement Enclosures Using Geneva Series or Other Square Cornered CRL Hinges
- Available in Three Popular Finishes



CRL's oval shaped glass Soap Dish measures 5-3/8" x 4-3/8" (136 mm x 111 mm), and rests in a wall-mounted support that complements our popular Geneva Series Hinges. Concealed fastener included.

CAT. NO.	FINISH
GEN850CH	Polished Chrome
GEN850BR	Polished Brass
GEN850BN	Brushed Nickel

Minimum order: 1 each.

CRL Geneva Series Towel Ring

- Styled to Complement Enclosures Using Geneva Series or Other Square Cornered CRL Hinges
- Available in Three Popular Finishes
- Easy to Install



CRL's 6" (152 mm) diameter Towel Ring has a single bracket styled to complement our popular Geneva Series Hinges. Concealed fastener included.

CAT. NO.	FINISH
GEN820CH	Polished Chrome
GEN820BR	Polished Brass
GEN820BN	Brushed Nickel

Minimum order: 1 each.

CRL Geneva Series Toothbrush Holder

- Available in Three Popular Finishes
- Easy to Install



CRL's 4-3/4" (120 mm) tall glass tumbler makes for a perfect Toothbrush Holder. The glass rests in a wall-mounted support that complements our popular Geneva Series Hinges. Concealed fastener included.

CAT. NO.	FINISH
GEN861CH	Polished Chrome
GEN861BR	Polished Brass
GEN861BN	Brushed Nickel

Minimum order: 1 each.

CRL Geneva Series Toilet Tissue Holder

- Available in Three Popular Finishes
- Easy to Install



CRL's Toilet Tissue Holder has a spring-loaded spindle resting in twin supports that complement our popular Geneva Series Hinges. Concealed fastener included.

CAT. NO.	FINISH
GEN830CH	Polished Chrome
GEN830BR	Polished Brass
GEN830BN	Brushed Nickel

Minimum order: 1 each.

All Bathroom Accessories can be combined for quantity pricing.

CRL Pinnacle Series Glass Shelf

- Styled to Complement Enclosures Using Pinnacle Series or Other Square Cornered CRL Hinges
- Available in Three Popular Finishes



Beautiful 5/16" (8 mm) thick tempered glass shelf has polished flat arris edge, and measures 18" x 5" (457 mm x 127 mm). Supported by two Pinnacle style wall-mounted brackets with concealed fasteners.

CAT. NO.	FINISH
P1N812CH	Polished Chrome
P1N812BR	Polished Brass
P1N812BN	Brushed Nickel

Minimum order: 1 each.

CRL Pinnacle Series Towel Bar

- Styled to Complement Enclosures Using Pinnacle Series or Other Square Cornered CRL Hinges

Please see pages 145J-152J for Pinnacle Hinges



Towel Bars come in 18" (457 mm) and 24" (610 mm) lengths with brackets styled to complement our popular Pinnacle Series Hinges. Bar measures 5/8" (16 mm) in diameter. Concealed fasteners included.

CAT. NO.	SIZE	FINISH
P1N80018CH	18"	Polished Chrome
P1N80018BR	18"	Polished Brass
P1N80018BN	18"	Brushed Nickel
P1N80024CH	24"	Polished Chrome
P1N80024BR	24"	Polished Brass
P1N80024BN	24"	Brushed Nickel

Minimum order: 1 each.

CRL Pinnacle Series Soap Dish

- Styled to Complement Enclosures Using Pinnacle Series or Other Square Cornered CRL Hinges
- Available in Three Popular Finishes



CRL's oval shaped glass Soap Dish measures 5-3/8" x 4-3/8" (136 mm x 111 mm) and rests in a wall-mounted support that complements our popular Pinnacle Series Hinges. Concealed fastener included.

CAT. NO.	FINISH
P1N850CH	Polished Chrome
P1N850BR	Polished Brass
P1N850BN	Brushed Nickel

Minimum order: 1 each.

CRL Pinnacle Series Towel Ring

- Styled to Complement Enclosures Using Pinnacle Series or Other Square Cornered CRL Hinges
- Available in Three Popular Finishes
- Easy to Install



CRL's 6" (152 mm) diameter Towel Ring has a single bracket styled to complement our popular Pinnacle Series Hinges. Concealed fastener included.

CAT. NO.	FINISH
P1N820CH	Polished Chrome
P1N820BR	Polished Brass
P1N820BN	Brushed Nickel

Minimum order: 1 each.

CRL Pinnacle Series Toothbrush Holder

- Available in Three Popular Finishes
- Easy to Install



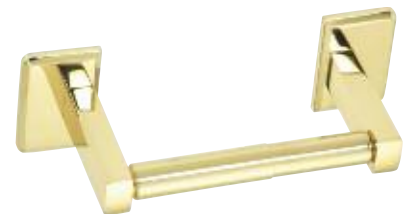
CRL's 4-3/4" (120 mm) tall glass tumbler makes for a perfect Toothbrush Holder. The glass rests in a wall-mounted support that complements our popular Pinnacle Series Hinges. Concealed fastener included.

CAT. NO.	FINISH
P1N861CH	Polished Chrome
P1N861BR	Polished Brass
P1N861BN	Brushed Nickel

Minimum order: 1 each.

CRL Pinnacle Series Toilet Tissue Holder

- Available in Four Popular Finishes
- Easy to Install



CRL's Toilet Tissue Holder has a spring-loaded spindle resting in twin supports that complement our popular Pinnacle Series Hinges. Concealed fastener included.

CAT. NO.	FINISH
P1N830CH	Polished Chrome
P1N830BR	Polished Brass
P1N830BN	Brushed Nickel
P1N8300RB	Oil Rubbed Bronze

Minimum order: 1 each.

All Bathroom Accessories can be combined for quantity pricing.

CRL Superior Squeegees

new

- Dual 10" Blades in an 8" Handle
- Two Colors With Chrome Caps



CRL Superior Squeegees have decorative end caps on white or black wiping blades and handles. This upscale combination of function and design makes it easy to wipe water spots from glass, tile, and marble surfaces. Dual 10" (254 mm) blades are held in an 8" (203 mm) handle.

CAT. NO.	HANDLE COLOR	CAP COLOR
SQBC1	Black	Chrome
SQWC1	White	Chrome

Minimum order: 1 each. Squeegees can be combined for quantity pricing.

CRL Deluxe Shower Squeegee

- 10" Wide Blade
- Chrome Handle With Gray Blade
- Includes Vacuum Cup Hook That Requires No Drilling



CRL's Deluxe Shower Squeegee has a chrome plated, zinc diecast handle that is rust and tarnish free. The polished stainless steel blade holder secures a 10" (254 mm) wide gray colored blade that effectively removes water spots and soap film. The blade is reversible to extend its service life. The Squeegee hangs on an attractively designed vacuum cup hook that installs easily without drilling.

CAT. NO.	DESCRIPTION
17600	Deluxe Shower Squeegee
RB17600	Replacement Blade

Minimum order: 1 each. Squeegees can be combined for quantity pricing.

CRL Crystal Clear Squeegee

new

- Crystal Clear Appearance Blends Beautifully With Glass
- Stainless Steel Blade Holder With 10" (254 mm) Rubber Blade
- Includes Strong Suction Cup Holder for Handy Storage



The new CRL Crystal Clear Squeegee can be used after each shower to quickly wipe glass to a spot-free finish. The stylish, ergonomically designed handle is made of durable acrylic, and the stainless steel blade holder has a gray 10" (254 mm) rubber blade. The CRL Crystal Clear Squeegee will be rust and tarnish free, and comes with a strong suction cup holder for convenient storage.

CAT. NO.	DESCRIPTION
CCS1	Crystal Clear Squeegee

Minimum order: 1 each. Squeegees can be combined for quantity pricing.

CRL Extendable Squeegee

new

- Durable Rust-Proof Aluminum With 10" (254 mm) Rubber Blade
- Handle Extends to 18" (457 mm)
- Includes Strong Suction Cup Holder for Handy Storage



The new CRL Extendable Squeegee has a telescoping handle that goes from 12" (305 mm) to 18" (457 mm) in overall length. Finish is silver chrome, and comes with a strong suction cup holder for convenient storage.

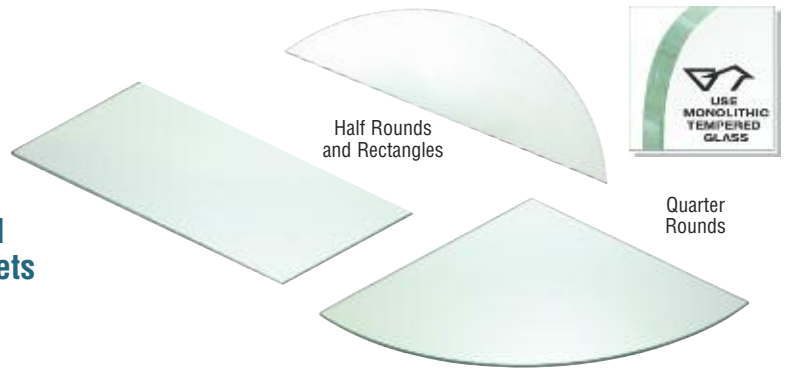
CAT. NO.	DESCRIPTION
17900	Extendable Squeegee

Minimum order: 1 each. Squeegees can be combined for quantity pricing.

CRL Shelf Hardware and Tempered Glass Shelves

- Include Shelf Brackets and Tempered Glass With Your Shower Door Sales Presentations
- 1/4" and 3/8" (6 and 10 mm) Thick Tempered Glass Shelves for Use With CRL Shelf Brackets in Over 300 Possible Combinations
- Conveniently Packed for UPS Shipment

For your convenience, CRL offers pre-packaged Tempered Glass Shelves available in nine different shapes. You can stock and display a variety of CRL Shelf Brackets and Tempered Glass that will allow your customer to "mix and match" hardware and glass to create that perfect look. See pages 383J-394J of the Shower Door and Bath Hardware section for our selection of Shelf Brackets. They can be used with our Tempered Glass Shelves to create over 300 different combinations.



For more information, contact CRL Shower Technical Sales at (800) 421-6144 in the U.S., (877) 421-6144 from Canada, or (323) 588-1281 International. Ask for Ext. 7740. You can send e-mail from the home page of crlaurence.com. Click on Contact Us, and then click on Technical Sales for Shower Products.

These Shelf Hardware and Tempered Glass Combinations are Just a Few of the Possibilities



CRL Tempered Glass Shelves

- Nine Sizes and Shapes Packaged for UPS Shipment
- Available in 1/4" and 3/8" (6 and 10 mm) Thick Glass
- Each Shelf is Individually Packed Inside a Master Carton



CRL offers the convenience of pre-packaged Tempered Glass Shelves that you can display in your showroom and have available for your customers. These Glass Shelves will allow your customer to "mix and match" different types of Shelf Bracket Hardware with different shapes, sizes, and thicknesses of glass to create that perfect shelf for their bath or shower.

CRL Tempered Glass Shelves are beautifully fabricated with highly polished flat edges. You can choose from 1/4" or 3/8" (6 or 10 mm) thicknesses in an assortment of shapes. Match them to our Shelf Bracket Hardware for over 300 different design combinations. Each Shelf is individually packed within the master carton, allowing you to sell them individually to your customers, or carry them safely to the job site.

NOTE: Only full cartons can be ordered; individual shelves cannot be shipped.



CAT. NO. 14TGQ12
12" Quarter Round
1/4" Thickness



CAT. NO. 38TGQ12
12" Quarter Round
3/8" Thickness



CAT. NO. 14TGR518
5" x 18" Rectangle
1/4" Thickness



CAT. NO. 14TGH518
5" x 18" Half Round
1/4" Thickness



CAT. NO. 14TGH824
8" x 24" Half Round
1/4" Thickness



CAT. NO. 14TGR824
8" x 24" Rectangle
1/4" Thickness



CAT. NO. 38TGR524
5" x 24" Rectangle
3/8" Thickness



CAT. NO. 38TGR1024
10" x 24" Rectangle
3/8" Thickness



CAT. NO. 38TGR1036
10" x 36" Rectangle
3/8" Thickness

CAT. NO.	SIZE	SHAPE	GLASS THICKNESS	QTY/CARTON
14TGQ12	12" (305 mm) Radius	Quarter Round	1/4" (6 mm)	5
14TGH518	5" x 18" (127 x 457 mm)	Half Round	1/4" (6 mm)	5
14TGH824	8" x 24" (203 x 610 mm)	Half Round	1/4" (6 mm)	5
14TGR518	5" x 18" (127 x 457 mm)	Rectangle	1/4" (6 mm)	5
14TGR824	8" x 24" (203 x 610 mm)	Rectangle	1/4" (6 mm)	5
38TGQ12	12" (305 mm) Radius	Quarter Round	3/8" (10 mm)	5
38TGR524	5" x 24" (127 x 610 mm)	Rectangle	3/8" (10 mm)	5
38TGR1024	10" x 24" (254 x 610 mm)	Rectangle	3/8" (10 mm)	3
38TGR1036	10" x 36" (254 x 914 mm)	Rectangle	3/8" (10 mm)	2

Minimum order: 1 full carton. Shapes and sizes can be combined for quantity pricing. F.O.B. CRL service centers.

Use Our Tempered Glass Shelves With These CRL Shelf Brackets and Clamps



CRL Aluminum Shelf Brackets
Page 387J



CRL Adjustable Shelf Brackets
Page 388J



CRL Shower Interior Shelf Brackets
Page 389J



CRL No-Drill Shelf Clamps
Page 390J

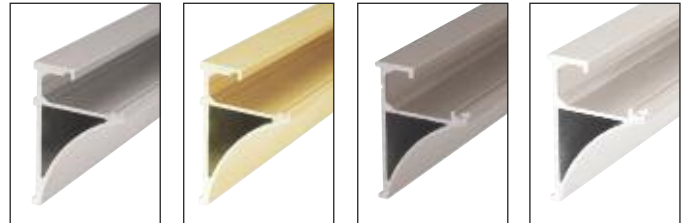
CRL Aluminum Extrusions for Glass Shelving



- Available in Four Lengths and Finishes for 1/4" and 3/8" (6 and 10 mm) Thick Glass
- Easy to Install

CRL Aluminum Shelf Extrusions are designed to support glass shelves without a lot of visible metal. The cleat easily attaches to studs with screws, and can support a shelf with a maximum projection of 12" (305 mm). Offered in 96" (2.4 m) long Extrusions, so now you are no longer limited to "standard size" shelves. The Extrusions may be easily cut to size, and by installing matching End Caps the shelves make for a beautiful presentation.

Available for both 1/4" and 3/8" (6 and 10 mm) thick glass, the Extrusions come in the following finishes: brite anodized, brite gold anodized, brushed nickel, and white. 18", 24", and 36" (457, 610, and 914 mm) long Shelf Kits come with one pair of matching plastic End Caps. All lengths come with thermoplastic rubber (TPR) strips to cushion the glass.



Brite Anodized

Brite Gold Anodized

Brushed Nickel

White

18" (457 MM) SHELF KITS

1/4" (6 MM) GLASS CAT. NO.	FINISH	3/8" (10 MM) GLASS CAT. NO.
SE1418BA	Brite Anodized	SE3818BA
SE1418BGA	Brite Gold Anodized	SE3818BGA
SE1418BN	Brushed Nickel	SE3818BN
SE1418W	White	SE3818W

Minimum order: 1 each. Sizes and finishes can be combined for quantity pricing.

36" (914 MM) SHELF KITS

1/4" (6 MM) GLASS CAT. NO.	FINISH	3/8" (10 MM) GLASS CAT. NO.
SE1436BA	Brite Anodized	SE3836BA
SE1436BGA	Brite Gold Anodized	SE3836BGA
SE1436BN	Brushed Nickel	SE3836BN
SE1436W	White	SE3836W

Minimum order: 1 each. Sizes and finishes can be combined for quantity pricing.

24" (610 MM) SHELF KITS

1/4" (6 MM) GLASS CAT. NO.	FINISH	3/8" (10 MM) GLASS CAT. NO.
SE1424BA	Brite Anodized	SE3824BA
SE1424BGA	Brite Gold Anodized	SE3824BGA
SE1424BN	Brushed Nickel	SE3824BN
SE1424W	White	SE3824W

Minimum order: 1 each. Sizes and finishes can be combined for quantity pricing.

96" (2.4 M) EXTRUSIONS ONLY

1/4" (6 MM) GLASS CAT. NO.	FINISH	3/8" (10 MM) GLASS CAT. NO.
SE1496BA	Brite Anodized	SE3896BA
SE1496BGA	Brite Gold Anodized	SE3896BGA
SE1496BN	Brushed Nickel	SE3896BN
SE1496W	White	SE3896W

Minimum order: 1 each. 96" Long Extrusions do not come with End Caps, which must be ordered separately (see below).

CRL End Caps for Aluminum Shelving Extrusions

- Cover Exposed Edges of Our Aluminum Shelving Extrusions
- Formed and Shaped to Fit, Ready to Install

CRL End Caps for Aluminum Shelving Extrusions protect the exposed edge and provide a beautiful finished product. Available for both sizes of Aluminum Shelving Extrusions, End Caps are made of injection molded plastic, and easily install with Cat. No. RTV408C Clear Silicone (see page 485J). One pair per package.



1/4" End Cap in Brite Anodized Finish



1/4" End Cap in Brite Gold Anodized Finish



3/8" End Cap in Brushed Nickel Finish



3/8" End Cap in White Finish



1/4" (6 MM) GLASS CAT. NO.	FINISH TO MATCH	3/8" (10 MM) GLASS CAT. NO.
END14BA	Brite Anodized	END38BA
END14BGA	Brite Gold Anodized	END38BGA
END14BN	Brushed Nickel	END38BN
END14W	White	END38W

Minimum order: 1 pair. Finishes can be combined for quantity pricing.

CRL Complete Glass Shelving Kits

- Boost Your "Over the Counter" Sales
- Choose From a Variety of Attractive Designs



CRL KV Glass Shelf Kits

- Beautifully Anchors Glass Shelves to Wall
- Kits Come in Two Sizes and Four Finishes
- Easy-to-Follow Instructions
- 1/4" (6 mm) Tempered Glass Shelf Included



The Glass Shelf Kit from Knappe & Vogt is guaranteed to attract the attention of buyers who want contemporary yet elegant fixtures to grace their homes. The Shelf Anchor is a one-piece support that grips the glass shelf along the full back edge and mounts almost anywhere. The Kit comes complete with 1/4" (6 mm) thick tempered glass, with smoothly radiused front corners and polished edges for maximum safety. Combined with the tempered glass shelf, and properly installed, it easily supports up to a 50 pound (22 kg) load. White and black finishes are a smooth epoxy powder coating.



CAT. NO.	GLASS SIZE	SHELF COLOR	ANCHOR FINISH
89BR30618	6" x 18" (152 x 457 mm)	Clear	Brass
89BR30824	8" x 24" (203 x 610 mm)	Clear	Brass
89CHR31618	6" x 18" (152 x 457 mm)	Clear	Chrome
89CHR31824	8" x 24" (203 x 610 mm)	Clear	Chrome
89WH10618	6" x 18" (152 x 457 mm)	Clear	White
89WH10824	8" x 24" (203 x 610 mm)	Clear	White
89BLK10618	6" x 18" (152 x 457 mm)	Clear	Black
89BLK10824	8" x 24" (203 x 610 mm)	Clear	Black

Minimum order: 1 each. Sizes and finishes can be combined for quantity pricing.

CRL KV ARC Collection Designer Glass Shelf Kits



- Elegant, Decorative Glass Shelving
- 1/4" (6 mm) Tempered Glass Shelf Included
- Brushed Nickel Finish



Knappe & Vogt's ARC Collection features a modern, contemporary design. Available in two straight shelf sizes, the half moon shape 1/4" (6 mm) tempered glass has rounded edges. Installation is simple. Each Kit has step-by-step instructions, and comes in an eye-catching retail package.



CAT. NO.	GLASS SIZE	SHELF COLOR	ANCHOR FINISH
99AEG18	6" x 18" (152 x 457 mm)	Clear	Brushed Nickel
99AEG24	8" x 24" (203 x 610 mm)	Clear	Brushed Nickel

Minimum order: 1 each. Sizes and finishes can be combined for quantity pricing.

CRL KV Corner Glass Shelf Kits

- 1/4" (6 mm) Tempered Glass Shelf
- Easy to Install in Just Minutes
- Accent and Enhance Any Room



Knape & Vogt's 12" (305 mm) Corner Glass Shelf Kit gives plenty of space for displaying collectibles. The tempered glass has smooth corners and polished edges for an elegant appearance. Each Kit comes in attractive packaging that will capture the attention of your retail customers and spell out the benefits of these innovative Shelf Kits. They practically sell themselves. White and black finishes are a smooth epoxy powder coating.



CAT. NO.	GLASS SIZE	SHELF COLOR	ANCHOR FINISH
89BRC1212	12" x 12" (305 x 305 mm)	Clear	Brass
89CHRC1212	12" x 12" (305 x 305 mm)	Clear	Chrome
89WHC1212	12" x 12" (305 x 305 mm)	Clear	White
89BLKC1212	12" x 12" (305 x 305 mm)	Clear	Black

Minimum order: 1 each. Sizes and finishes can be combined for quantity pricing.

CRL Corner Cable Glass Shelf Kits

- 3/8" (10 mm) Tempered Glass Shelf Included
- Mounts With Just One Screw
- Available in Two Sizes
- Clean, Simple Design



CRL's Corner Cable Glass Shelf Kits are great for living and bath areas. The tempered glass has flat polished edges for an elegant appearance. Kit Includes: 3/8" (10 mm) tempered glass, corner cable bracket, washer and screw, extra corner bumpers, and instructions.



CAT. NO.	GLASS SIZE	SHELF COLOR	ANCHOR FINISH
1010CC	10" x 10" (254 x 254 mm)	Clear	Aluminum
1212CC	12" x 12" (305 x 305 mm)	Clear	Aluminum

Minimum order: 1 each. Sizes and finishes can be combined for quantity pricing.

CRL Corner Shelf Clip Kits

- Installs With Just One Screw
- Two Sizes Available
- 3/8" (10 mm) Tempered Glass Shelf Included



The CRL Corner Shelf Clip Kit is an easy and attractive way to utilize wasted corner space in living and bath areas. Simple to install within minutes with just one screw, this shelf adds instant beauty. The 3/8" (10 mm) tempered glass comes with a brite, flat polished edge all around. Each Kit contains: one clip, 3/8" (10 mm) tempered glass, mounting tape, spacer tabs, a screw, and installation instructions.



CAT. NO.	GLASS SIZE	SHELF COLOR	ANCHOR FINISH
1010SCK	10" x 10" (254 x 254 mm)	Clear	Satin Chrome
1212SCK	12" x 12" (305 x 305 mm)	Clear	Satin Chrome

Minimum order: 1 each. Sizes and finishes can be combined for quantity pricing.

CRL Shelf Clip Kits

- Easily Installed With Two Screws
- Holds Up to 80 Pounds (36 kg)
- Three Sizes Available
- 3/8" (10 mm) Tempered Glass Included



Now you can buy one of our most popular selling Shelf Clips complete with 3/8" (10 mm) thick tempered glass included in the Kit. These attractive shelves are available in three popular sizes and will hold up to 80 pounds (36 kg). The tempered glass shelf comes with a bright, flat polished edge on all four sides. Each Kit contains: two clips, 3/8" (10 mm) tempered glass, mounting tape, spacer tabs, screws, and installation instructions.

CAT. NO.	GLASS SHELF SIZE	GLASS THICKNESS	FINISH
624SCK	6" x 24" (152 x 610 mm)	3/8" (10 mm)	Satin Chrome
1024SCK	10" x 24" (254 x 610 mm)	3/8" (10 mm)	Satin Chrome
1036SCK	10" x 36" (254 x 914 mm)	3/8" (10 mm)	Satin Chrome

Minimum order: 1 each. For Shelf Hardware only without glass see page XXX.



CRL Cable Glass Shelf Kits

- Stainless Cable, Aluminum Fittings
- 3/8" (10 mm) Tempered Glass Included
- Mounts With Just Two Screws
- Available in Three Sizes



CRL's Cable Glass Shelf Kits offer a clean and simple, yet strong design. Constructed of stainless steel cable and aluminum fittings, when installed properly the shelf can hold up to 150 pounds (68 kg). The design supports the front and rear of the shelf in suspension. Kit includes: 3/8" (10 mm) tempered glass with all flat polished edges, a pair of brackets, round backplates, two screws, plastic tabs, and installation instructions.

CAT. NO.	GLASS SHELF SIZE	GLASS THICKNESS	FINISH
624K	6" x 24" (152 x 610 mm)	3/8" (10 mm)	Satin Aluminum
1024K	10" x 24" (254 x 610 mm)	3/8" (10 mm)	Satin Aluminum
1036K	10" x 36" (254 x 914 mm)	3/8" (10 mm)	Satin Aluminum

Minimum order: 1 each. For Cable Shelf Hardware only without glass see page XXX.



CRL Big Hook Glass Shelf Kit

- 3/8" (10 mm) Tempered Glass Included
- Mounts With Four Screws
- Perfect Shelf for Baths and Salons



CRL's Big Hook Glass Shelf Kit is ideal for baths and salons. The large hooks at the bottom of the shelf bracket provide for hanging towels or robes. The tempered glass comes with a flat polish on all four edges for an elegant appearance. Kit includes: 3/8" (10 mm) tempered glass, two Big Hook Brackets, four screws with wall anchors. When installed properly the shelf can hold up to 60 pounds (27.2 kg).

CAT. NO.	GLASS SHELF SIZE	GLASS THICKNESS	FINISH
624BHK	6" x 24" (152 x 610 mm)	3/8" (10 mm)	Satin Chrome

Minimum order: 1 each.



CRL Aluminum Shelf Brackets

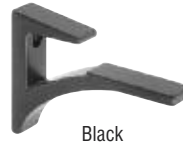
- Three Beautiful Finishes for 3/8" to 1/2" (10 to 12 mm) and 5/8" to 3/4" (16 to 19 mm) Thick Shelves
- Easily Installed
- Will Support Shelves Up to 12" (305 mm) Deep
- Holds Up to 80 Pounds (36 kg)



Chrome



White



Black



CAT. NO.	FINISH	SHELF THICKNESS	QTY/PKG
SC5CH	Chrome	3/8" to 1/2" (10 to 12 mm)	2
SC5BL	Black	3/8" to 1/2" (10 to 12 mm)	2
SC5W	White	3/8" to 1/2" (10 to 12 mm)	2
SC75CH	Chrome	5/8" to 3/4" (16 to 19 mm)	2
SC75BL	Black	5/8" to 3/4" (16 to 19 mm)	2
SC75W	White	5/8" to 3/4" (16 to 19 mm)	2

Minimum order: 1 pack. All Brackets can be combined for quantity pricing.

CRL Designer Aluminum Shelf Brackets

- Ornate Curved Design
- Will Support Shelves Up to 12" (305 mm) Deep
- Holds Up to 80 Pounds (36 kg)



Chrome



White



Black



CAT. NO.	FINISH	SHELF THICKNESS	QTY/PKG
CC5CH	Chrome	3/8" to 1/2" (10 to 12 mm)	2
CC5BL	Black	3/8" to 1/2" (10 to 12 mm)	2
CC5W	White	3/8" to 1/2" (10 to 12 mm)	2
CC75CH	Chrome	5/8" to 3/4" (16 to 19 mm)	2
CC75BL	Black	5/8" to 3/4" (16 to 19 mm)	2
CC75W	White	5/8" to 3/4" (16 to 19 mm)	2

Minimum order: 1 pack. All Brackets can be combined for quantity pricing.

CRL Aluminum Display Shelf Brackets

- Two Finishes for 3/16" to 1/4" (5 to 6 mm) Thick Shelves
- No Drilling of Glass Required
- Mount Display Shelves Efficiently and Economically



Chrome Anodized



Gold Anodized

This CRL Anodized Aluminum Display Bracket is ideally suited for installing display shelves using 3/16" or 1/4" (5 or 6 mm) thick glass. The shelf is secured to the bracket with a single nylon tipped screw; no drilling of the glass is required. It is recommended that the Brackets be installed into wall studs to provide maximum support. These Brackets are intended for lightweight display items. The maximum shelf protrusion from the wall should not exceed 8" (203 mm).

CAT. NO.	FINISH	SHELF THICKNESS	QTY/PKG
E106A	Chrome Anodized	3/16" to 1/4" (5 to 6 mm)	1
E106GA	Gold Anodized	3/16" to 1/4" (5 to 6 mm)	1

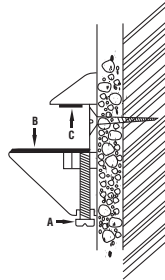
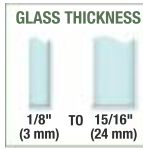
Minimum order: 1 pack. All Brackets can be combined for quantity pricing.

CRL SHOWER AND BATH SHELF HARDWARE

For Pricing Visit crlaurence.com or Call Us Toll Free at the Phone Numbers Shown on the Back Cover

CRL Adjustable Shelf Brackets

- For Glass or Wood Shelves 1/8" to 15/16" (3 to 24 mm) Thick
- Works With Shelves Up to 12" (305 mm) Deep (Protrusion From Wall)



A = Adjustment Screw
B = Plastic Cap
C = Foam Cushion

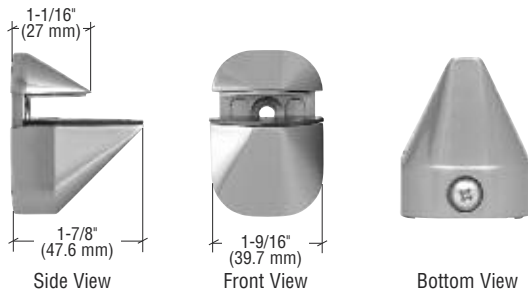
CRL Regular Size Adjustable Shelf Brackets are designed to work with 1/8" to 15/16" (3 to 24 mm) thick glass or wood shelves up to 10" (254 mm) deep. Heavy-Duty Adjustable Shelf Brackets work with 1/2" to 15/16" (12 to 24 mm) thick glass or wood shelves up to 12" (305 mm) deep.

The Brackets are secured with one screw (included) to the substrate. An adjustment screw is also included to accommodate various shelf glass thicknesses. Maximum recommended weight per pair of DL631 Brackets when correctly installed is 44 pounds (20 kg). Maximum recommended weight per pair of DL661 Brackets correctly installed is 50 pounds (23 kg).

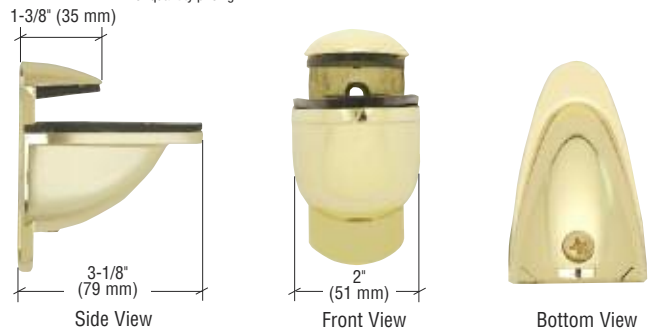
REGULAR CAT. NO.	HEAVY-DUTY CAT. NO.	FINISH
DL631CH	DL661CH	Chrome
DL631BR	DL661BR	Brass
DL631BL	DL661BL	Black
DL631BN	DL661BN	Brushed Nickel
DL631SC	DL661SC	Satin Chrome
DL631W	DL661W	White

Minimum order: DL631 Series 1 pair. DL661 Series 1 each. Finishes can be combined for quantity pricing.

Regular



Heavy-Duty



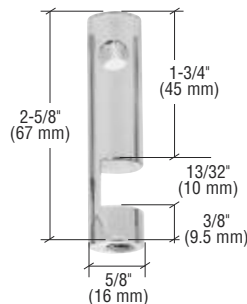
CRL Shelf Rod and Supports

- Create Beautiful and Safe Glass Shelves
- Available in Our Three Most Popular Finishes

Designed for use with 1/4" to 3/8" (6 to 10 mm) thick glass, CRL's Shelf Rods and Supports are used to create beautiful glass shelves with an extra safety factor. The 24" or 36" (610 or 914 mm) long hollow Rods can be used as is, or cut-to-size. The attractively designed Supports can be attached to the shelf wherever required to create a truly unique look. Set screws hold them tight to the glass. The Rods come in packs of six each, Supports are sold individually.



Adjustable Shelf Brackets shown in photo are sold separately. See above.



LEFT HAND ROD SUPPORT

CAT. NO.	FINISH
RDB1CH	Polished Chrome
RDB1BR	Polished Brass
RDB1BN	Brushed Nickel

CENTER ROD SUPPORT

CAT. NO.	FINISH
RDB2CH	Polished Chrome
RDB2BR	Polished Brass
RDB2BN	Brushed Nickel

RIGHT HAND ROD SUPPORT

CAT. NO.	FINISH
RDB3CH	Polished Chrome
RDB3BR	Polished Brass
RDB3BN	Brushed Nickel

24" (610 MM) ROD

CAT. NO.	FINISH
RD24CH	Polished Chrome
RD24BR	Polished Brass
RD24BN	Brushed Nickel

36" (914 MM) ROD

CAT. NO.	FINISH
RD36CH	Polished Chrome
RD36BR	Polished Brass
RD36BN	Brushed Nickel

Minimum order: 1 each. All Rod Supports can be combined for quantity pricing.

Minimum order: 1 pack. Sizes and finishes can be combined for quantity pricing.



C.R. LAURENCE COMPANY

crlaurence.com | usalum.com

388J | crlaurence.ca crlaurence.com.au crlaurence.co.uk crlaurence.de crlaurence.eu

CRL Slot Mount Standoffs

- For 1/4", 3/8" and 1/2" (6, 10, and 12 mm) Thick Material

CRL Slot Mount Standoffs are designed to be mounted either vertically or horizontally, and can be used for installing shelves without drilling holes in the material. The nylon tip set screws hold panels firmly in place without damaging panel material or glass. This 1-1/4" (31.8 mm) diameter Slot Mount Standoff is available to hold 1/4", 3/8" and 1/2" (6, 10, and 12 mm) thick material. Maximum recommended shelf projection from the wall is 5" (127 mm) when Standoff is anchored to the wall stud.



Slot Mount Standoff Assemblies Consist of:
 1 Each Standoff
 1 Each Nylon Tip Set Screw
 1 Each Clear Gasket



BRASS CAT. NO.	CHROME CAT. NO.	SATIN CHROME CAT. NO.	BRUSHED STAINLESS CAT. NO.	GUN METAL CAT. NO.	MATERIAL THICKNESS
SM14BR	SM14CH	SM14SC	SM14BS	SM14GM	1/4" (6 mm)
SM38BR	SM38CH	SM38SC	SM38BS	SM38GM	3/8" (10 mm)
SM12BR	SM12CH	SM12SC	SM12BS	SM12GM	1/2" (12 mm)

Minimum order: 1 each. All Standoffs can be combined for quantity pricing.



CRL Solid Brass Shelf Clamps

- For 1/4" to 3/8" (6 to 10 mm) Thick Glass
- No Glass Fabrication Required
- Available In Three Styles, and Up to Eight Finishes



CRL Solid Brass Shelf Clamps can be used to secure a shelf for lightweight articles. Clamps should be secured to wall with screws (not included) in studs, or with Molly-type anchors. Nylon tip brass set screws secure the glass. Maximum 5" (127 mm) glass protrusion from wall is recommended. Clamps will hold 1/4" to 3/8" (6 to 10 mm) glass, with no glass fabrication required.

CAT. NO.	FINISH
FA10CH	Chrome
FA10BR	Brass
FA10BCO	Brushed Copper
FA10BN	Brushed Nickel
FA10PN	Polished Nickel
FA10SC	Satin Chrome
FA10SB	Satin Brass
FA10UBR	Ultra Brass

CAT. NO.	FINISH
FA11CH	Chrome
FA11BR	Brass
FA11BN	Brushed Nickel
FA11PN	Polished Nickel
FA11SB	Satin Brass

CAT. NO.	FINISH
FA12CH	Chrome
FA12BR	Brass
FA12ORB	Oil Rubbed Bronze
FA12BN	Brushed Nickel
FA12SB	Satin Brass
FA12SC	Satin Chrome

Minimum order: 1 each. All Clamps can be combined for quantity pricing.



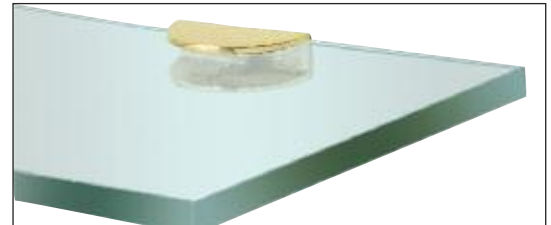
CAT. NO. FA10
 Size: 1-1/8" (28.6 mm) Wide
 x 1" (25.4 mm) Deep



CAT. NO. FA12
 Size: 1-15/16" (49.2 mm) Wide
 x 1" (25.4 mm) Deep



CAT. NO. FA11
 Size: 3-15/16" (100 mm) Wide
 x 1" (25.4 mm) Deep



CRL Shelf Clamps With Support Leg

- For 1/4" to 3/8" (6 to 10 mm) Thick Glass
- Support Leg for Extra Strength



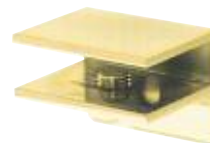
CRL Solid Brass Shelf Clamps with Support Leg can be used to secure a shelf for lightweight articles. Clamps should be secured to wall with screws (not included) in studs, or with Molly-type anchors. Nylon tip brass tension screws secure the glass. Maximum 5" (127 mm) glass protrusion from wall is recommended. Clamps will hold 1/4" to 3/8" (6 to 10 mm) glass, with no glass fabrication required. "F" shape gives an extra 1/2" (12 mm) support against the wall. One Clamp per pack.

CAT. NO.	FINISH
EH132	Chrome
EH134	Brass

CAT. NO.	FINISH
EH124	Chrome
EH126	Brass

CAT. NO.	FINISH
EH128	Chrome
EH130	Brass

Minimum order: 1 pack. All Clamps can be combined for quantity pricing.



CAT. NO. EH132/EH134
 Size: 1-9/16" (40 mm) Wide
 x 1-3/16" (30 mm) Deep



CAT. NO. EH124/EH126
 Size: 1-15/16" (49 mm) Wide
 x 15/16" (24 mm) Deep



CAT. NO. EH128/EH130
 Size: 3-15/16" (100 mm) Wide
 x 1-3/16" (30 mm) Deep

CRL No-Drill Round Glass Shelf Clamps

- Solid Brass With Chrome or Gold Plated Finishes
- For 3/8" and 1/2" (10 and 12 mm) Thick Glass

CRL No-Drill Glass Shelf Clamps are made of solid brass with a beautiful chrome or gold plated finish. They make mounting small glass shelves directly to walls or inside cabinets easy because nylon set screws secure the glass, so absolutely no glass drilling is required. The Round Clamps come in two diameters, 25/32" and 15/16" (19.8 and 23.8 mm) for 3/8" and 1/2" (10 and 12 mm) glass. Maximum shelf protrusion from the wall is 5" (127 mm). Shelf Clamps are also suitable for use with small acrylic or wood shelves. All Clamps have a single mounting hole. Sold one per package.

For Additional No-Drill Fixed Clamps See Page 286J



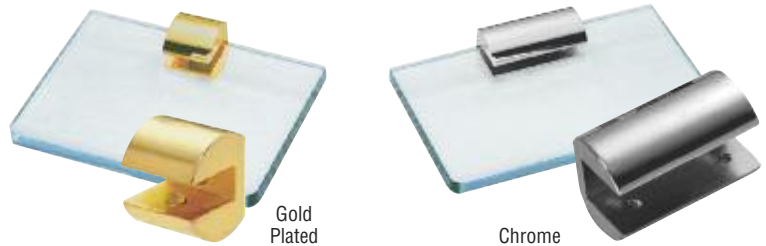
CAT. NO.	FINISH	DIAMETER	GLASS THICKNESS
1020CHR	Chrome	25/32" (19.8 mm)	3/8" (10 mm)
1020GP	Gold Plated	25/32" (19.8 mm)	3/8" (10 mm)
1222CHR	Chrome	15/16" (23.8 mm)	1/2" (12 mm)
1222GP	Gold Plated	15/16" (23.8 mm)	1/2" (12 mm)

Minimum order: 1 each. Sizes and finishes can be combined for quantity pricing.

CRL No-Drill Long Glass Shelf Clamps

- Solid Brass With Chrome or Gold Plated Finishes
- For 3/8" and 1/2" (10 and 12 mm) Thick Glass

CRL No-Drill Glass Shelf Clamps are made of solid brass with a beautiful chrome or gold plated finish. They make mounting small glass shelves directly to walls or inside cabinets easy because nylon set screws secure the glass, so absolutely no glass drilling is required. The Long Clamps are available in two lengths, 1-1/4" and 2-3/4" (32 and 70 mm) for 3/8" and 1/2" (10 and 12 mm) glass. Maximum shelf protrusion from the wall is 5" (127 mm). Shelf Clamps are also suitable for use with small acrylic or wood shelves.

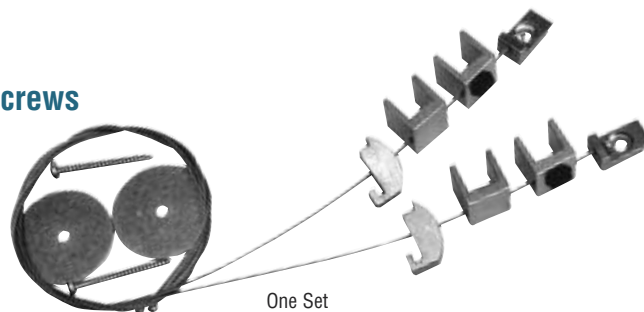


CAT. NO.	FINISH	LENGTH	GLASS THICKNESS
1230CHR	Chrome	1-1/4" (32 mm)	3/8" (10 mm)
1230GP	Gold Plated	1-1/4" (32 mm)	3/8" (10 mm)
1270CHR	Chrome	2-3/4" (70 mm)	3/8" (10 mm)
1270GP	Gold Plated	2-3/4" (70 mm)	3/8" (10 mm)
1430CHR	Chrome	1-1/4" (32 mm)	1/2" (12 mm)
1430GP	Gold Plated	1-1/4" (32 mm)	1/2" (12 mm)
1470CHR	Chrome	2-3/4" (70 mm)	1/2" (12 mm)
1470GP	Gold Plated	2-3/4" (70 mm)	1/2" (12 mm)

Minimum order: 1 each. Sizes and finishes can be combined for quantity pricing.

CRL Cable Shelf Brackets

- Put Up a Shelf With Only Two Screws
- Works on Any Shelf Up to 16" (406 mm) Deep
- Strong; Holds Up to 100 Pounds (45 kg)



One Set

CRL's Cable Shelf Bracket will help provide low-cost, high-style storage. They can hold any shelving material including wood, glass and marble. They can also be used for utility shelving. The brackets come in natural aluminum or anodized black finish and are available for 3/8" to 1/2" (10 to 12 mm) and 5/8" to 3/4" (16 to 19 mm) thick shelves. Constructed of stainless steel cable and aluminum fittings which help to hold up to 100 pounds (45 kg). The design supports the front and rear of the shelf in suspension. Includes a pair of brackets, round back plates, two screws, plastic tabs, and instructions. Shelf material not included.

- Two Sizes and Finishes to Choose From

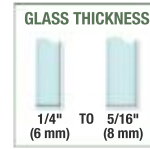
CAT. NO.	SHELF THICKNESS	FINISH
CSB5	3/8" - 1/2" (10-12 mm)	Aluminum
CSB5B	3/8" - 1/2" (10-12 mm)	Black
CSB75	5/8" - 3/4" (16-19 mm)	Aluminum
CSB75B	5/8" - 3/4" (16-19 mm)	Black

Minimum order: 1 each. Sizes and finishes can be combined for quantity pricing.

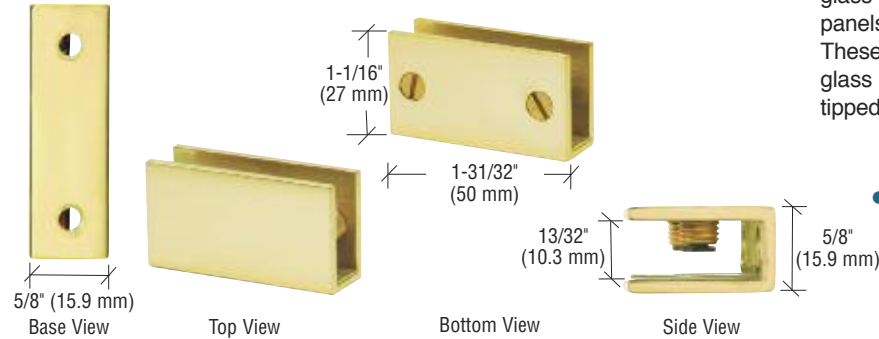


CRL Shelf Clamps

CRL has a diversified selection of Glass Clamps that can be used for a variety of shelving applications. These solid brass Clamps are designed for glass thicknesses from 1/4" to 5/16" (6 to 8 mm). It is recommended that the depth of the shelf should not exceed 5" (127 mm), and that the Clamps are installed into wall studs or a wood substrate.



CRL Rectangular Shelf Clamps



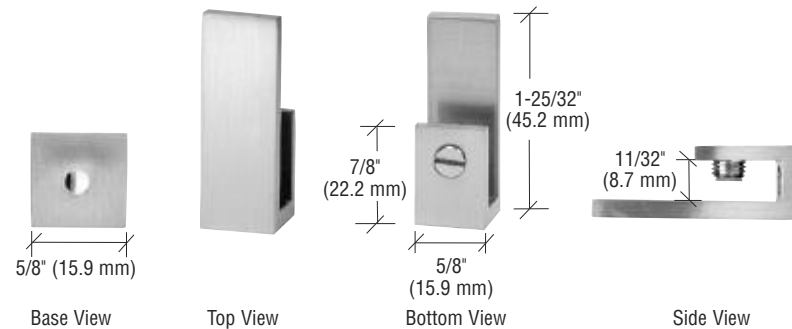
CRL Rectangular Shelf Clamps are designed to solve glass mounting problems such as flush glazing, connecting panels for railing systems or attaching shelves to walls. These long Clamps have the attaching strength to hold glass securely. The glass is secured by two plastic tipped set screws. One Clamp per pack.

• For 1/4" to 5/16" (6 to 8 mm) Glass

CAT. NO.	FINISH
EH38	Chrome
EH39	Brushed Nickel
EH40	Brass

Minimum order: 1 pack. All Glass Clamps can be combined for quantity pricing.

CRL Slim-Line Shelf Clamps



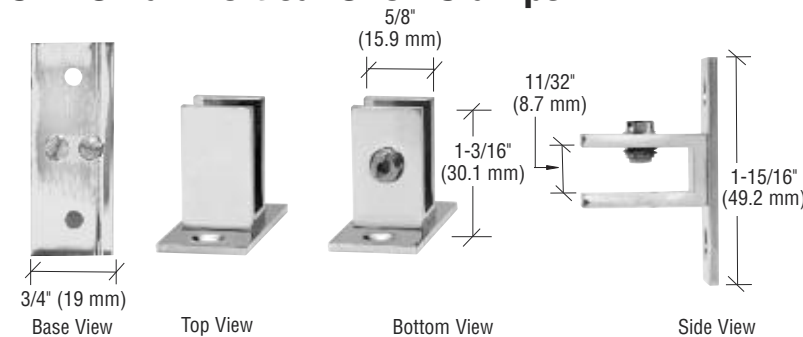
CRL Slim-Line Shelf Clamps are designed to mount glass quick and easy without having to drill holes in the glass. These solid brass Clamps can be used for a variety of glass applications. They can be attached to any substrate, and the glass is secured by a plastic tipped set screw. Each Clamp is supplied with one wood screw. One Clamp per pack.

• For 1/4" to 5/16" (6 to 8 mm) Glass

CAT. NO.	FINISH
EH42	Chrome
EH43	Brushed Nickel
EH44	Brass

Minimum order: 1 pack. All Glass Clamps can be combined for quantity pricing.

CRL Small Vertical Shelf Clamps



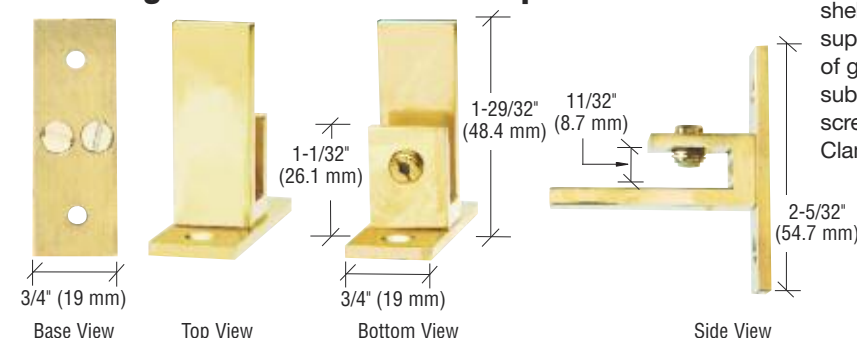
CRL Small Vertical Shelf Clamps are for glass mounting problems such as flush glazing, connecting panels for railing systems, or attaching shelves to walls. These solid brass universal Clamps can be used for a variety of glass applications. They can be attached to any substrate. The glass is secured by a plastic tipped set screw. Each Clamp is supplied with two wood screws. One Clamp per pack.

• For 1/4" to 5/16" (6 to 8 mm) Glass

CAT. NO.	FINISH
EH46	Chrome
EH47	Brushed Nickel
EH48	Brass

Minimum order: 1 pack. All Glass Clamps can be combined for quantity pricing.

CRL Large Vertical Shelf Clamps



CRL Large Vertical Shelf Clamps are great for attaching shelves to walls because the extra long leg gives added support. These solid brass Clamps can be used for a variety of glass applications as well. They can be attached to any substrate, and the glass is secured by a plastic tipped set screw. Each Clamp is supplied with two wood screws. One Clamp per pack.

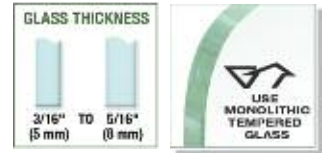
• For 1/4" to 5/16" (6 to 8 mm) Glass

CAT. NO.	FINISH
EH50	Chrome
EH51	Brushed Nickel
EH52	Brass

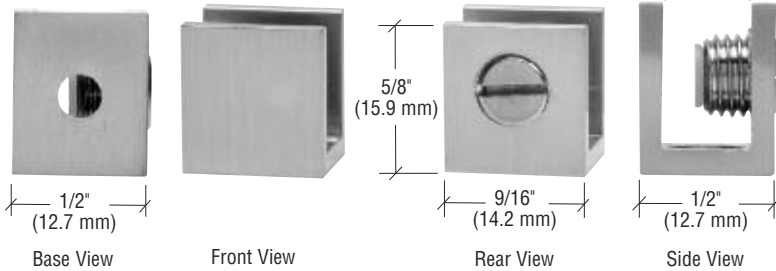
Minimum order: 1 pack. All Glass Clamps can be combined for quantity pricing.

CRL Universal Clamps

CRL's Universal Clamps are available in four different sizes that will provide several options in mounting small glass shelves or panels in glass thicknesses from 3/16" to 5/16" (5 to 8 mm). All of the Clamps in this group can be installed without drilling holes in the glass. It is recommended that these Clamps be attached into wall studs or a wood substrate. Drawings and templates for all Clamps are available online at crlaurence.com.



CRL Set Screw Clamps for 3/16" to 1/4" (5 to 6 mm) Glass



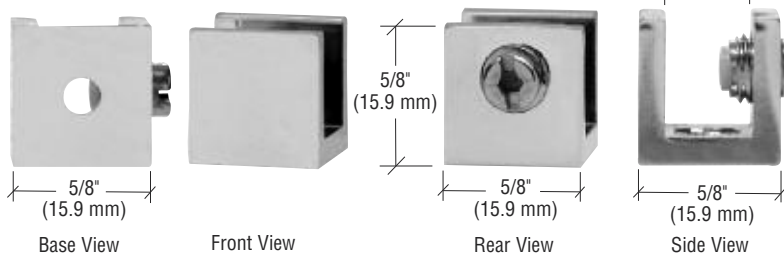
CRL Set Screw Glass Clamps are designed to attach glass without having to drill holes in the panels. These solid brass Clamps can be used for a variety of glass applications. They can be attached to any substrate, and are secured to the glass with plastic tipped set screws. Economically packaged 10 per pack for your convenience.

• Set Screw Type for 3/16" to 1/4" (5 to 6 mm) Glass

CAT. NO.	FINISH
EH22	Chrome
EH23	Brushed Nickel
EH24	Brass

Minimum order: 1 pack. All Glass Clamps can be combined for quantity pricing.

CRL Set Screw Clamps for 1/4" to 5/16" (6 to 8 mm) Glass



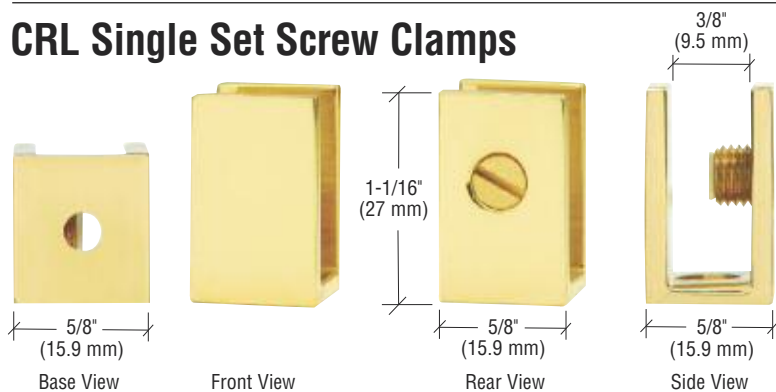
CRL Set Screw Clamps are designed for smaller glass mounting projects. They are an economical way of attaching shelves to walls. These solid brass Clamps can be used for a variety of glass applications. They can be attached to any substrate, and a plastic tipped set screw secures the glass. Sold only in packs of 10.

• Set Screw Type for 1/4" to 5/16" (6 to 8 mm) Glass

CAT. NO.	FINISH
EH26	Chrome
EH27	Brushed Nickel
EH28	Brass

Minimum order: 1 pack. All Glass Clamps can be combined for quantity pricing.

CRL Single Set Screw Clamps



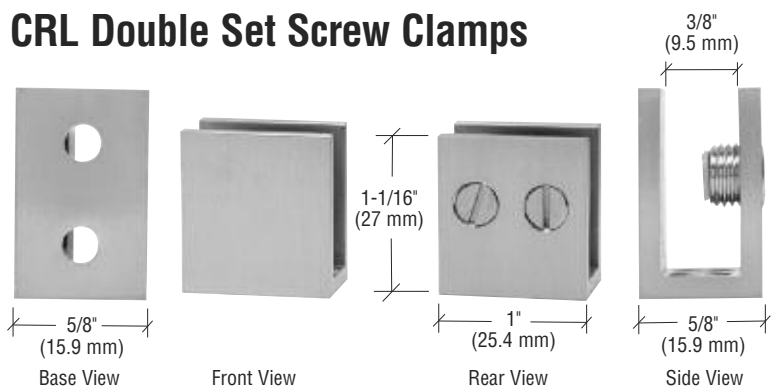
CRL Single Set Screw Glass Clamps are designed for lightweight glass mounting solutions such as erecting small signs, low glass partitions in kiosks, or attaching shelves to walls. These solid brass Clamps can be used for a variety of glass applications. They can be attached to any substrate. The glass is secured by a plastic tipped set screw. One Clamp per pack.

• Set Screw Type for 1/4" to 5/16" (6 to 8 mm) Glass

CAT. NO.	FINISH
EH30	Chrome
EH31	Brushed Nickel
EH32	Brass

Minimum order: 1 pack. All Glass Clamps can be combined for quantity pricing.

CRL Double Set Screw Clamps



CRL Double Set Screw Glass Clamps are designed to mount glass just about anywhere. With double plastic tipped set screws, this solid brass Clamp has the strength to support larger panels. Typical applications include connecting panels for railing systems, office partitions, and display merchandise signage. One Clamp per pack.

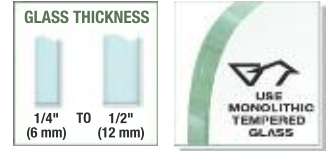
• Double Set Screw Type for 1/4" to 5/16" (6 to 8 mm) Glass

CAT. NO.	FINISH
EH34	Chrome
EH35	Brushed Nickel
EH36	Brass

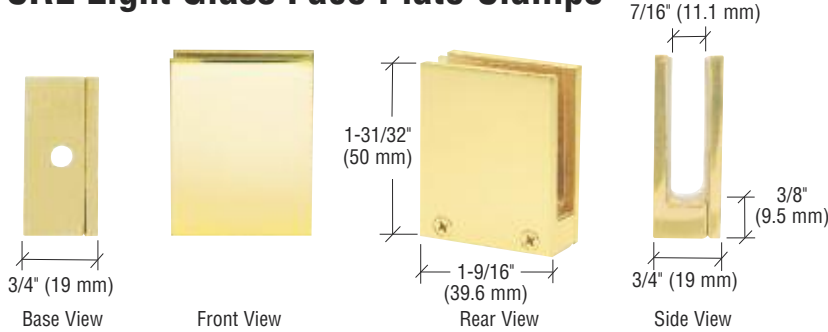
Minimum order: 1 pack. All Glass Clamps can be combined for quantity pricing.

CRL Face Plate Clamps

From Clamps with narrow profiles to traditional designs, CRL offers Glass Clamps with both removable and fixed face plates to provide flush glazing and ease of panel installation. These solid brass Clamps work with glass thicknesses from 1/4" to 1/2" (6 to 12 mm). Drawings and templates for all Clamps are available online at crlaurence.com.



CRL Light Glass Face Plate Clamps



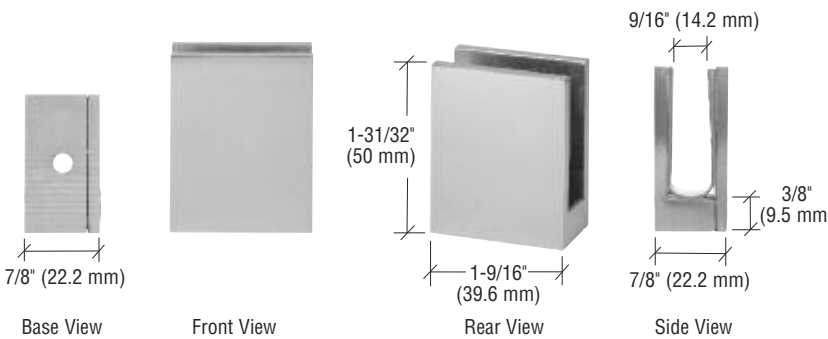
CRL Light Glass Face Plate Clamps are one of our most popular sellers. Universal in design, the Clamp has a removable face plate secured with two screws. Gasket is supplied for 3/8" (10 mm) glass. For use with 1/4" (6 mm) glass we recommend CRL Cat. No. 820 Tuff-Pak Tape. One Clamp per pack.

• For 1/4" to 3/8" (6 to 10 mm) Glass

CAT. NO.	FINISH
EH12	Chrome
EH13	Brushed Nickel
EH14	Brass

Minimum order: 1 pack. All Glass Clamps can be combined for quantity pricing.

CRL Heavy Glass Face Plate Clamps



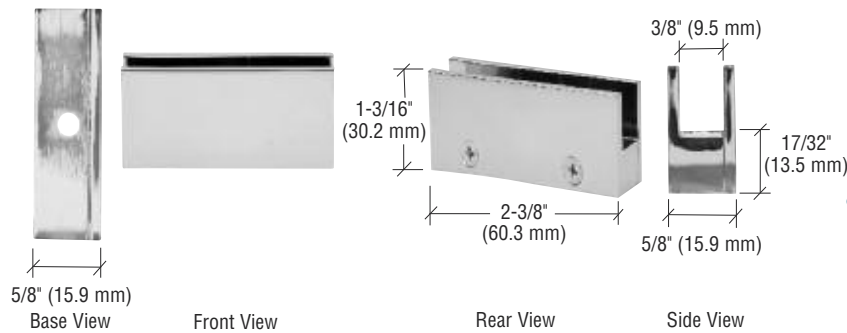
CRL Heavy Glass Face Plate Clamps are universal in design and solve many glass mounting problems. One of our most popular sellers for flush glazing, or attaching shelves to walls, this Clamp has a removable face plate secured with two screws. A gasket is supplied for 1/2" (12 mm) glass. For use with 3/8" (10 mm) glass we recommend CRL Cat. No. 820 Tuff-Pak Tape. One Clamp per pack.

• For 3/8" to 1/2" (10 to 12 mm) Glass

CAT. NO.	FINISH
EH15	Brushed Nickel
EH16	Chrome
EH17	Brass

Minimum order: 1 pack. All Glass Clamps can be combined for quantity pricing.

CRL Low Profile Face Plate Glass Clamps



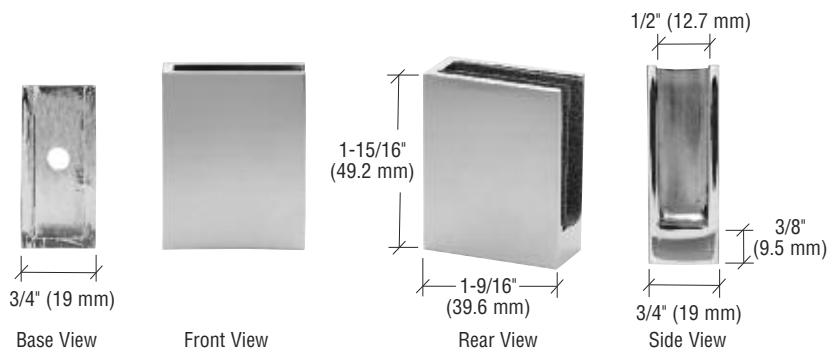
CRL Low Profile Face Plate Glass Clamps are perfect for flush glazing, or attaching shelves to walls. The Clamp has a removable face plate secured with two screws and a gasket for 5/16" (8 mm) glass is supplied. For use with 1/4" (6 mm) glass we recommend CRL Cat. No. 820 Tuff-Pak Tape. One Clamp per pack.

• For 1/4" to 5/16" (6 to 8 mm) Glass

CAT. NO.	FINISH
EH09	Brushed Nickel
EH10	Chrome
EH11	Brass

Minimum order: 1 pack. All Glass Clamps can be combined for quantity pricing.

CRL Fixed Plate Corner Glass Clamps



CRL Fixed Plate Corner Glass Clamps are ideal for securing glass at the top or bottom edges of partitions. These blank Corner Clamps have no face plates or set screws; glass is secured with packing. They give a finished look to shelves that are viewed from the front. Gasket is supplied for 3/8" (10 mm) glass. For use with 1/4" (6 mm) glass we recommend CRL Cat. No. 820 Tuff-Pak Tape. One Clamp per pack.

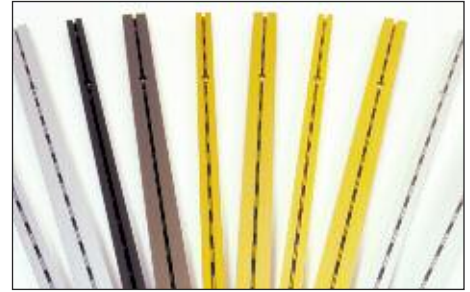
• For 1/4" to 3/8" (6 to 10 mm) Glass

CAT. NO.	FINISH
EH18	Chrome
EH19	Brushed Nickel
EH20	Brass

Minimum order: 1 pack. All Glass Clamps can be combined for quantity pricing.

CRL Aluminum Mirror and Wall Mount Standards

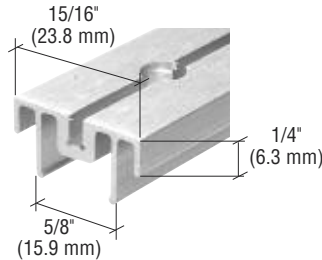
- Available in Three Standard Lengths: 36", 48", and 72" (914, 1219, and 1829 mm)
- Discreet Narrow Bracket Holes



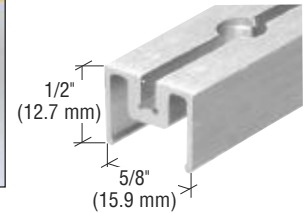
CRL Aluminum Standards are available in two styles. The 22 Series Mirror Standard is "T" Shaped, and fits between two mirror panels to cover the edges and secure them to the wall. The 322 Series Wall Standard simply secures to the wall. Five finishes and three lengths cover just about any application. Both styles provide attractive glass wall shelving for displaying selected items.



Flanges Hide Mirror Edges



Mounts Directly to Wall



22 SERIES ALUMINUM MIRROR STANDARDS

12 PER CARTON

CAT. NO.	LENGTH	FINISH
22A36	36" (914 mm)	Satin Anodized
22A48	48" (1219 mm)	Satin Anodized
22A72	72" (1829 mm)	Satin Anodized
22GA36	36" (914 mm)	Gold Anodized
22GA48	48" (1219 mm)	Gold Anodized
22GA72	72" (1829 mm)	Gold Anodized
22BA36	36" (914 mm)	Brite Anodized
22BA48	48" (1219 mm)	Brite Anodized
22BA72	72" (1829 mm)	Brite Anodized
22BGA36	36" (914 mm)	Brite Gold Anodized
22BGA48	48" (1219 mm)	Brite Gold Anodized
22BGA72	72" (1829 mm)	Brite Gold Anodized
22DU36	36" (914 mm)	Duranodic Bronze
22DU48	48" (1219 mm)	Duranodic Bronze
22DU72	72" (1829 mm)	Duranodic Bronze

Minimum order: 1 each. All Aluminum Standards can be combined for quantity pricing.

322 SERIES ALUMINUM WALL STANDARDS

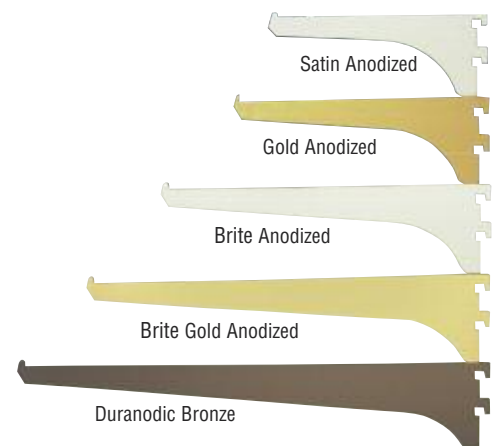
12 PER CARTON

CAT. NO.	LENGTH	FINISH
322A36	36" (914 mm)	Satin Anodized
322A48	48" (1219 mm)	Satin Anodized
322A72	72" (1829 mm)	Satin Anodized
322GA36	36" (914 mm)	Gold Anodized
322GA48	48" (1219 mm)	Gold Anodized
322GA72	72" (1829 mm)	Gold Anodized
322BA36	36" (914 mm)	Brite Anodized
322BA48	48" (1219 mm)	Brite Anodized
322BA72	72" (1829 mm)	Brite Anodized
322BGA36	36" (914 mm)	Brite Gold Anodized
322BGA48	48" (1219 mm)	Brite Gold Anodized
322BGA72	72" (1829 mm)	Brite Gold Anodized
322DU36	36" (914 mm)	Duranodic Bronze
322DU48	48" (1219 mm)	Duranodic Bronze
322DU72	72" (1829 mm)	Duranodic Bronze

Minimum order: 1 each. All Aluminum Standards can be combined for quantity pricing.

CRL Aluminum Shelf Brackets

- Fits Our 22 Series and 322 Series Aluminum Standards
- Available in Five Finishes and Five Lengths: 4", 6", 8", 10", and 12" (102, 152, 203, 254, and 305 mm)



CRL Aluminum Brackets are available in five finishes and five sizes. They only work in our 22 Series and 322 Series Aluminum Standards. They do not have a back flange, but simply slip into the hidden slots and are secured by lightly tapping down on the Bracket.

SIZE	SATIN ANODIZED CAT. NO.	GOLD ANODIZED CAT. NO.	BRITE ANODIZED CAT. NO.	BRITE GOLD ANODIZED CAT. NO.	DURANODIC BRONZE CAT. NO.	ALUMINUM BRACKET WEIGHT CAPACITIES*
4" (102 mm)	122A4	122GA4	122BA4	122BGA4	122DU4	75 Lbs (34 kg)
6" (152 mm)	122A6	122GA6	122BA6	122BGA6	122DU6	65 Lbs (29 kg)
8" (203 mm)	122A8	122GA8	122BA8	122BGA8	122DU8	55 Lbs (25 kg)
10" (254 mm)	122A10	122GA10	122BA10	122BGA10	122DU10	45 Lbs (20 kg)
12" (305 mm)	122A12	122GA12	122BA12	122BGA12	122DU12	35 Lbs (16 kg)

Minimum order: 1 each. All Aluminum Brackets are packed 25 per carton. Sizes and finishes can be combined for quantity pricing. * The above weights are based on two standards mounted 16" (406 mm) apart with the screws into the wall studs.



C.R. LAURENCE COMPANY

crlaurence.com | usalum.com

394J | crlaurence.ca crlaurence.com.au crlaurence.co.uk crlaurence.de crlaurence.eu

CRL Magnifying Mirrors

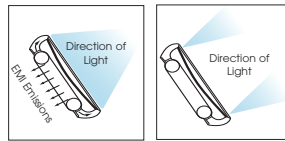
• Designer Styling With Optical Quality Glass

We have a beautiful collection of Magnifying Mirrors in wall mount, pedestal, suction cup, and counter top models. Made in the U.S.A. with the finest materials and latest technology available, our Magnifying Mirrors will complement and complete your bathroom décor with designer styling. You may choose from lighted and non-lighted types. Each has precision-ground, optical quality glass for distortion-free images of unparalleled sharpness and powerful magnification. Display a few styles in your showroom for your walk-in customers to view and create a new profit center for your business. **NOTE:** Surround Light® Vanity Mirrors are wired for 110V AC.



CRL Multi-Mag™ Wall Mount Dual Arm Mirrors With Surround Light®

- The Ultimate Wall Mount Magnifying Mirror
- 110V AC



Surround Light® amplifies light across the mirror surface, outward illuminating the face at any angle or distance from the mirror. A traditional lighted mirror only amplifies light outward, producing glare, distortion, reduced sharpness and shadows.

This one has it all! A 9-1/4" (235 mm) 5X Magnification Wall Mount Dual Arm Mirror with Surround Light®, and a 7X high power 6" (152 mm) mirror that swings into position with just a touch. It extends a maximum of 15" (381 mm) from the mounting surface. Available in two finishes: polished chrome and satin nickel, so your customers can match their other bath accessories. **NOTE:** Uses Cat. No. ZP129 Replacement Bulb see page 397J.

CAT. NO.	DIAMETER	BASE FINISH
ZMSW37	6" (152 mm) and 9-1/4" (235 mm)	Polished Chrome
ZMSW47	6" (152 mm) and 9-1/4" (235 mm)	Satin Nickel

Minimum order: 1 each. All CRL Magnifying Mirrors can be combined for quantity pricing.

CRL Wall Mount Dual Arm Mirrors With Surround Light®

- Both 5X and 7X Magnification
- 110V AC



The Surround Light® System of these 9" (228 mm) Wall Mount Dual Arm Mirrors amplifies light both across the mirror surface, and outward to illuminate the face at any angle of viewing. We've selected two high quality finishes to match the most popular bath accessories. As with all Surround Light® Mirrors, they will give you fog-free optics. Instant on/off switch has cord or direct wire connection capability. It extends a maximum of 17" (432 mm) from wall. **NOTE:** Uses Cat. No. ZP129 Replacement Bulb see page 397J.

CHROME CAT. NO.	SATIN NICKEL CAT. NO.	DIAMETER	MAGNIFICATION
ZSW35	ZSW45	9" (228 mm)	5X
ZSW37	ZSW47	9" (228 mm)	7X

Minimum order: 1 each. All CRL Magnifying Mirrors can be combined for quantity pricing.

CRL Chrome Swivel Multi-Mag Wall Mount Dual Arm Mirror

- Oval Mirror has Beveled Edge
- 1X-5X-7X Magnification



CAT. NO. Z0VW5

The CRL Swivel Multi-Mag Wall Mount Dual Arm Mirror features a 1X distortion free oval mirror combined with the functionality of selectable 5X and 7X swivel magnification. The dual arm allows the mirror to extend 11" (279 mm) from the mounting surface, and has the flexibility to be rotated to eye level. The beveled 1X oval mirror measures 12" (304 mm) x 8" (203 mm), and the 5X - 7X inset swivel mirror is 5" (127 mm) in diameter. Minimum order is one each.

Surround Light is a registered trademark of Zadro Products, Inc.

CRL Wall Mount Dual Arm Mirror

- Elegant Styling and Crystal Clear Optics
- Dual Arms Extend to 15" (381 mm)
- 5X Magnification



CAT. NO. ZZ9W5

Solid, smooth swinging action can be expected when you position our 5X Power Wall Mount Dual Arm Mirrors. You'll be impressed with the heavy chrome finish that will match your other quality bath and shower fixtures. The large 9" (228 mm) diameter mirror offers a sharp image, and extends a maximum of 15" (381 mm) out from the wall. Stores neatly against the wall when not in use. Minimum order is one each.

CRL Wall Mount Dual Arm Oval Mirror With LED Surround Light

- Lifetime LED Surround Lighting
- Brushed Nickel Finish
- Mounts Anywhere

CRL's beautifully and conveniently designed Wall Mount Oval Mirror with LED Surround Light provides 10X magnification on one side and 1X on the other. The 9" x 6-1/2" (229 x 165 mm) oval mirror is mounted on a 360 degree swivel with arms that extend 12" (305 mm) from the 1-1/2" (38 mm) thick mounting plate. This mirror can be installed on any wall in your home since it does not require plug-in power. A dimmable on/off switch adjusts LED brightness. Requires four C batteries (not included). An external power adapter is included.



CAT. NO. ZLEDW410

CRL Pedestal Oval Mirror With LED Surround Light

- LED Bulbs Never Need Replacing
- Can Be Placed Anywhere
- Brushed Nickel Finish

CRL's 19" (483 mm) tall Pedestal Oval Mirror is perfect for your vanity, bathroom counter, or dresser. The 9" x 6-1/2" (229 x 165 mm) viewing area can be rotated to use either the 1X or 10X mirror. The LED Surround Light is adjustable using the conveniently located on/off switch. Requires four C batteries (not included). Also comes with external power adapter. Minimum order is one each.



CAT. NO. ZLEDV410

CRL Vanity Mirror With LED Surround Light

- 1X and 5X Magnification
- Elegant Slim Design
- No Power Cord Required

CRL's Vanity Mirror has an LED Surround Light in a 7" (178 mm) diameter brushed nickel frame. This conveniently sized mirror is 14" (356 mm) high, and can be easily carried with you wherever you go. The 360 degree swivel mirror has 1X magnification on one side and 5X on the other. Uses four AA batteries (not included). Minimum order is one each.



CAT. NO. ZLEDV45

CRL Compact Travel Mirror With LED Surround Light

- Easy to Pack for Travel
- Fully Height and Angle Adjustable
- 1X and 10X Magnification

CRL's Compact Travel Mirror with LED Surround Light is the perfect gift for use on the road or at the office. This double compact mirror measures 3-3/4" (95 mm) in diameter and folds to 1-1/2" (38 mm) thick. The LED lights allow you to illuminate either or both mirrors at the same time. The mirror unfolds from the off-white plastic case and conveniently adjusts to any angle. Three AAA batteries are required (not included). Minimum order is one each.



CAT. NO. ZLEDT01

CRL Two-Sided Swivel Mirror

- 1X and 10X Magnification
- 360 Degree Swivel Frame
- Brushed Nickel Finish

CRL's Two-Sided Vanity Mirror has two quality 8" (203 mm) diameter mirrors mounted in a single swivel frame for easy viewing. The 16" (406 mm) tall mirror has a non-slip base and a brushed nickel finish. The perfect size make-up mirror for your guest bath or vanity. Minimum order is one each.



CAT. NO. ZVAN410

CRL Fogless Magnifying Mirror With White Frame

- Permanently Fogless Mirror With Break and Scratch Resistant Optical Quality
- 1X to 5X Magnification



This CRL Fogless Magnifying Mirror is the best ever! With just a few rotations of the attractive white frame, you can change the magnification power of this Fogless Mirror from 1X to 5X. Double razor holder built into the frame. Attaches to any smooth, non-porous surface with double suction cups.

CAT. NO.	DIAMETER	MAGNIFICATION
ZZ500W	6" (152 mm)	1X to 5X

Minimum order: 1 each. All CRL Magnifying Mirrors can be combined for quantity pricing.

CRL 5X and 7X Power Suction Cup Mirrors

- Choice of 5X or 7X Magnification
- Adheres to Any Smooth Non-Porous Surface



Our Suction Cup Mirrors feature a specially developed and patented vinyl cup for long term adhesion to mirror and tile surfaces. The large 7" (178 mm) diameter viewing area and your choice of a 5X or 7X magnification power makes it an ideal make-up mirror. Suction Cup Mirrors are made to be break and scratch resistant. The clear acrylic surround frame blends in with any background surface.

CAT. NO.	DIAMETER	MAGNIFICATION	QTY/PKG
ZZS06	7" (178 mm)	5X	1
ZZS06P	7" (178 mm)	5X	6
ZFC27	7" (178 mm)	7X	1

Minimum order: 1 each. All CRL Magnifying Mirrors can be combined for quantity pricing.

CRL 5X and 7X Swivel Magnifying Mirrors

- Portable and Attractive
- One Side is Magnified, Other Side is Normal View



Swivel Magnifying Mirrors feature a clear acrylic base with bumper pads to protect furniture surfaces. Their distortion free images are available with 5X magnification in 6-1/4" (159 mm) and 8-1/2" (216 mm) diameters, or 7X magnification in a 6-1/4" (159 mm) diameter. The reverse side of each is a 1X flat mirror. Ideal for home and travel.

CAT. NO.	DIAMETER	MAGNIFICATION
ZZV06	6-1/4" (159 mm)	5X and 1X
ZZV08	8-1/2" (216 mm)	5X and 1X
ZFS27	6-1/4" (159 mm)	7X and 1X

Minimum order: 1 each. All CRL Magnifying Mirrors can be combined for quantity pricing.

CRL Surround Light® Replacement Bulb

- Replaces Bulb in All Surround Light® Mirrors
- 110V AC - 22 Watt



This is the Replacement Bulb for all CRL Magnifying Mirrors With Surround Light®. Very easy to replace, should that ever become necessary.

CAT. NO.	DESCRIPTION
ZP129	Surround Light® Replacement Bulb

Minimum order: 1 each.

CRL Multi-Mag™ Adjustable Pedestal Vanity Mirrors With Surround Light®

- Multi-Mag Mirrors Combined With Surround Light®
- Adjusts From 16" (406 mm) to 29" (737 mm) in Height
- 110V AC

- 2X and 7X Magnification

You'll get the best features available in a vanity mirror when you choose CRL Multi-Mag™ Adjustable Pedestal Vanity Mirrors With Surround Light®. The 7X magnification mirror is 6" (152 mm) in diameter. The 2X mirror is a big 9-1/4" (235 mm), and has the Surround Light® System for illumination at its best **NOTE:** Uses Cat. No. ZP129 Replacement Bulb (see above).

CAT. NO.	DIAMETER	BASE FINISH
ZMSA37	6" (152 mm) and 9-1/4" (235 mm)	Polished Chrome
ZMSA47	6" (152 mm) and 9-1/4" (235 mm)	Satin Nickel

Minimum order: 1 each. All CRL Magnifying Mirrors can be combined for quantity pricing.

Surround Light is a registered trademark of Zadro Products, Inc.



CRL Clear View™ Mirror Defoggers

- Enjoy the Clarity of a Mirror That Automatically Defogs
- Now Available in Two Sizes and Three Shapes - Rectangular, Oval, and Round
- Provides a Crystal Clear Reflection in High Humidity Conditions
- Fast, Simple, and Cost Efficient Installation
- UL Approved



CRL Clear View™ Mirror Defoggers are specially designed thin heating elements that are adhered to the back of mirrors, gently raising their temperature just enough to keep the mirror dry and clear in high humidity conditions. Wiping moisture off the mirror with a towel is unnecessary, making shaving and applying make up easier.

Low voltage CRL Clear View™ Mirror Defoggers are available in three shapes and in two sizes each that can be incorporated into virtually any mirror design. They are easy to install by wiring to any power source, but the most common method is to wire to the bath's 120V AC vanity light switch.

Each maintenance-free Defogger carries a five year unconditional guarantee. Offering them to housing developers, homeowners, spas, and hotels while closing sales for your mirror installations brings added value to the job, and a higher profit yield for you.

Custom sizes and 220 volt models are available on special request. For additional information, contact the CRL Customer Service Department at (800) 421-6144 in the U.S., (877) 421-6144 in Canada, or (323) 588-1281 International, and ask for Ext. 5275. You can also send e-mail from the crlaurence.com home page. Click on Contact Us, and then click on Customer Service.

Some Great Opportunities

- Ask Us About Our High Volume Installer Program for Hotels, Housing Tracts, and Condominium Complexes
- Great for Private Residences, Spas and Salons, Apartment Complexes, and Hotels



CRL Clear View™ Installation

- Easy to Follow Instructions for Retrofit and New Construction



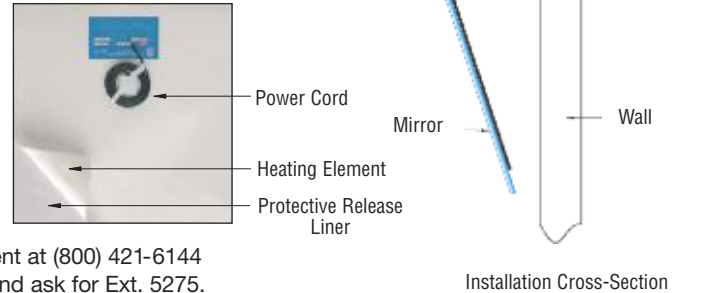
CRL Clear View™ Mirror Defoggers are specially designed thin heating elements that are adhered to the back of mirrors, gently raising their temperature just enough to keep the mirror dry and clear in high humidity conditions. Wiping moisture off the mirror with a towel is unnecessary, making shaving and applying make-up easier.

Low voltage CRL Clear View™ Mirror Defoggers are available in three shapes and in two sizes each that can be incorporated into virtually any mirror design. They are easy to install by wiring to any power source, but the most common method is to wire to the bath's 120V AC vanity light switch. Each maintenance-free Defogger carries a five year unconditional guarantee.

NOTE: Maximum temperature is 64°F (18°C) above room temperature.

Custom sizes and 220 Volt models are available on special request.

For additional information, contact the CRL Customer Service Department at (800) 421-6144 in the U.S., (877) 421-6144 in Canada, or (323) 588-1281 International, and ask for Ext. 5275. You can also send e-mail from the crlaurence.com home page. Click on Contact Us, and then click on Customer Service.



CRL Rectangular Clear View™ Mirror Defoggers

The CRL Rectangular Clear View™ Mirror Defogger fits a wide variety of applications. They can be mounted in a vertical or horizontal position to suit the mirror's dimensions and your customer's needs.

CAT. NO.	SIZE	POWER RATING (WATTS@120V AC)	ENERGY CONSUMPTION (KWH@120V AC)
R1826	18" x 26" (457 x 660 mm)	57	0.057
R2432	24" x 32" (610 x 813 mm)	96	0.096

Minimum order: 1 each. All Defoggers can be combined for quantity pricing.



CRL Oval Clear View™ Mirror Defoggers

The cameo shape of the CRL Oval Clear View™ Mirror Defogger provides the effect of a "mirror-in-a-mirror" as the clear vision of the heated area is bordered by the moist area of the unheated portion of the mirror. They can be mounted vertically or horizontally for the appropriate appearance.

CAT. NO.	SIZE	POWER RATING (WATTS@120V AC)	ENERGY CONSUMPTION (KWH@120V AC)
01826	18" x 26" (457 x 660 mm)	45	0.045
02432	24" x 32" (610 x 813 mm)	76	0.076

Minimum order: 1 each. All Defoggers can be combined for quantity pricing.



CRL Round Clear View™ Mirror Defoggers

Our 15" (381 mm) and 20" (508 mm) Round CRL Clear View™ Mirror Defoggers can be positioned according to your customer's height requirements. Consider using two Defoggers when installing over counters with two basins.

CAT. NO.	SIZE	POWER RATING (WATTS@120V AC)	ENERGY CONSUMPTION (KWH@120V AC)
R15	15" (381 mm)	20	0.020
R20	20" (508 mm)	41	0.041

Minimum order: 1 each. All Defoggers can be combined for quantity pricing.



CRL PIVOT MIRRORS

For Pricing Visit crlaurence.com or Call Us Toll Free at the Phone Numbers Shown on the Back Cover

CRL Frameless Pivot Mirrors

- Beautiful 'All-Glass' Design
- Folds to Wall When Not In Use
- Completely Adjustable for Hands-Free Use
- Clear 3/16" (5 mm) Mirror has Radius Corners and Pencil-Polished Edge
- Two Popular Designer Finishes



CRL now offers a uniquely designed series of Frameless Pivot Mirrors featuring through-glass mounting hardware for an 'all-glass' appearance. This product of CRL Manufacturing utilizes high quality 3/4" (19 mm) tubing and mounting components to provide strength and an attractive designer look to your bath or dressing room. The chrome and brushed nickel finishes match our Frameless Shower Door Hinges and Pulls.

The Frameless Pivot Mirror pivots to provide a 'surround' view, and folds to the wall when not in use. The surface of the mirror

sits only 2" (51 mm) off the wall when folded flat. Two available sizes to accommodate hotel, retail or residential applications. These easy-to-install mirrors have a matching finish all-metal back that is adhered to the glass mirror for safety. Mirrors are packed to arrive safely, and come complete with installation instructions and mounting hardware.

NOTE: Frameless Pivot Mirrors in custom sizes are available by special order.

CRL 15" x 23" Frameless Pivot Mirrors

Finishes:



Chrome
Brushed Nickel

- Ideal Size for Bath or Dressing Rooms
- Folds Flat When Not In Use



Overall Mirror Dimensions:
15" x 23" (381 x 584 mm)

This size is the perfect complement to your master bath or dressing room. When pivot arms are fully extended the mirror is 15-1/2" (394 mm) out from the wall surface, providing ample room for adjustment to any viewing angle. You can choose from two popular finishes.

CAT. NO.	FINISH
FPM1523CH	Chrome
FPM1523BN	Brushed Nickel

Minimum order: 1 each. All Frameless Pivot Mirrors can be combined for quantity pricing.

CRL 15" x 15" Frameless Pivot Mirrors

Finishes:



Chrome
Brushed Nickel

- Typical Applications Include Hotel Rooms, Retail Dressing Rooms, and Guest Bathrooms



Overall Mirror Dimensions:
15" x 15" (381 x 381 mm)

Easy-to-install, highly functional Frameless Pivot Mirrors are perfect in so many places. The 3/16" (5 mm) thick mirror has rounded pencil-polished edges, and is securely attached to the all-metal back finished to match the pivot arms and mounting hardware. Choose from two decorator finishes.

CAT. NO.	FINISH
FPM1515CH	Chrome
FPM1515BN	Brushed Nickel

Minimum order: 1 each. All Frameless Pivot Mirrors can be combined for quantity pricing.



C.R. LAURENCE COMPANY

crlaurence.com | usalum.com

400J | crlaurence.ca crlaurence.com.au crlaurence.co.uk crlaurence.de crlaurence.eu

CRL Pivot-N-View Double-Hinged Mirrors

- Swings Out and Stays in Place for Hands-Free Viewing
- Brushed Nickel and Polished Chrome Finishes in Two Sizes
- Comes Complete With Glass Mirror

Finishes:



- Available in Two Sizes



11" x 11"
(279 x 279 mm)



14" x 22"
(355 x 558 mm)

The CRL Pivot-N-View Mirror is perfect for residential and hotel bathrooms or retail store dressing rooms. It is almost infinitely adjustable, and provides the user with full back and side views. Pivot-N-View Mirrors are designed for installation on a sidewall within 18" (457 mm) or less from the existing mirror. The mirror may also be installed on an opposite wall and should be mounted at the height of the principal user. Pivot-N-View Mirrors have a 180 degree arc from the wall plus 360 degree capability within their own frames. All frames can be mounted on the right or left hand wall by simply reversing the hinges. The arms extend a total length of 10" (254 mm) from the wall. It ships complete with mounting instructions and hardware, making this product easy to install.

CAT. NO.	SIZE (W x H)	FINISH
PV11CH	11" x 11" (279 x 279 mm)	Polished Chrome
PV11BN	11" x 11" (279 x 279 mm)	Brushed Nickel
PV14CH	14" x 22" (355 x 558 mm)	Polished Chrome
PV14BN	14" x 22" (355 x 558 mm)	Brushed Nickel

Minimum order: 1 each. Sizes and finishes can be combined for quantity pricing.

CRL Mirror Pivots

- Simple and Easy to Install
- Hold 1/8" to 1/4" (3 to 6 mm) Mirror

Finishes:



CAT. NO. MP6408
Polished Chrome
Victorian Style

CAT. NO. MP6408BN
Brushed Nickel
Victorian Style

CAT. NO. MP6208
Polished Chrome
and Porcelain

CAT. NO. MP6208BN
Brushed Nickel
and Porcelain

CAT. NO. MP6208ORB
Oil Rubbed Bronze
and Porcelain

CAT. NO. MP6408ORB
Oil Rubbed Bronze
Victorian Style

CAT. NO. MP8608
Polished Chrome
Bell Style

CAT. NO. MP8608BN
Brushed Nickel
Bell Style

CAT. NO. MP8608ORB
Oil Rubbed Bronze
Bell Style

Our Mirror Pivots will enhance any bath or dressing room. You can install these Pivots anywhere wall space is available and, within minutes, have a useful accessory that will last for years. Mirror Pivots will accommodate 1/8" to 1/4" (3 to 6 mm) thick mirror of just about any configuration, and will hold up to 30 pounds (13.6 kg). Full length vanity mirrors can be mounted and tilted to view any height. Pivots are made of heavy plated cast brass, and beautifully finished. Mounting hardware is included. Minimum order is one pair. All Mirror Pivots can be combined for quantity pricing.

NOTE: Not designed for use with beveled mirror. Mirror Pivots work best with flat polished or pencil polished edges. CRL recommends using Cat. No. 2MT24 Shatterproof Safety Tape for mirrors being installed into Mirror Pivots.



CRL Custom Aluminum Pivot Mirror Frames

- Ideal for Dressing Rooms or Retail Store Fitting Rooms
- Made to Your Exact Specifications
- Available in Six Attractive Finishes
- Narrow Extrusion Face Allows Increased Mirror Visibility
- Individually Packaged to Ship U.P.S.

The D977 Custom Aluminum Pivot Mirror Frame is made to your exact size requirements and available in six finishes. The frame pivots on an adjustable hinge, which holds the mirror at any angle and then permits "pivot-away" storage when not in use. It is ideal for dressing rooms, retail store fitting rooms or where limited space is a factor.

All Custom Pivot Mirror Frames are quoted on request. Contact CRL Customer Service at (800) 421-6144 in the U.S., (877) 421-6144 from Canada, or (323) 588-1281 International, and ask for Ext. 5275. Specify finish, overall height and width, and the number of frames required. You can also email us through our web site at crlaurence.com. From the home page click on Contact Us, and then click on Customer Service.



CAT. NO.	FINISH
D977A	Satin Anodized
D977GA	Gold Anodized
D977DU	Duranodic Bronze
D977BA	Brite Anodized
D977BGA	Brite Gold Anodized
D977FB	Flat Black Anodized

NOTE:
Minimum size is 12" x 12" (305 x 305 mm);
Maximum size is 24" x 36" (610 x 914 mm);
Mirror not included.

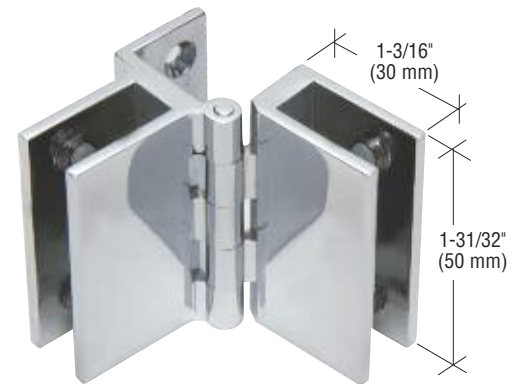
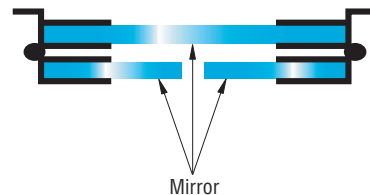
Minimum order: 1 each.

CRL Frameless Triple Mirror Hinge

- For 1/4" to 5/16" (6 to 8 mm) Glass
- Secures Mirror With Set Screws
- Chrome Finish

Maximum Panel Size to Be Used With This Hinge:

5/16" (8 mm) Glass:
Wings: 51-3/16" (1300 mm) H x 17-3/4" (450 mm) W;
Center: 51-3/16" (1300 mm) H x 31-1/2" (800 mm) W
1/4" (6 mm) Glass:
Wings: 59-1/16" (1500 mm) H x 19-1/16" (485 mm) W;
Center: 59-1/16" (1500 mm) H x 35-7/16" (900 mm) W



CAT. NO.	FINISH	QTY/PKG
EH66	Chrome	4

Minimum order: 1 pack. Can be combined with other set screw hinges for quantity pricing.

CRL Screws and Wall Anchors

- Choose from a Wide Selection

Our extended line of fasteners includes many types and sizes of Sheet Metal and Wood Screws, Plastic and Metal Wall Anchors. Refer to our CRL03 Master Catalog, or visit our web site at crlaurence.com for additional information.



Sheet Metal Screws



Wood Screws



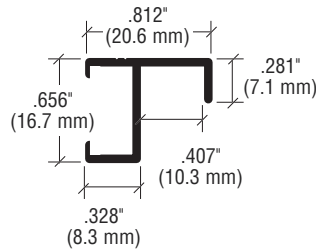
Molly Type Anchors



Plastic Toggle Anchors

CRL Aluminum Picture Frame Molding

- Easily Fabricated to Produce Beautiful Frames
- Available in Three Attractive Finishes
- Two Hanging Options



You can custom make modern frames of any size from stock with this slim profile CRL Aluminum Picture Frame Molding. Made of extruded aluminum, it comes in three beautiful finishes: brite aluminum, brite gold, and glossy black.

Easy to fabricate and assemble. Simply miter cut the extrusions, insert and tighten the Corner Set. The Spring Clips hold your picture in place in the frame by applying pressure between the frame and the picture. Finally, use either the Hanger Set or Hanger Cleat to suspend the frame on the wall. It's all very quick and easy.

CAT. NO.	FINISH	STOCK LENGTH
4410BA	Brite Aluminum	12 Ft. (3.66 m)
4410BG	Brite Gold	12 Ft. (3.66 m)
4410BL	Glossy Black	12 Ft. (3.66 m)

Minimum order: 1 stock length. All finishes can be combined for quantity pricing. A Packing Charge will be added to orders of fewer than 10 combined lengths. Stock lengths longer than 98" (2.49 m) must ship common carrier, unless you specify we cut them for UPS. A Cutting Charge will apply.

CRL Corner Set for Aluminum Frame Molding

- Holds Mitered Corner Together Firmly

CRL Corner Set is an exclusive set of two plates: one is threaded for screws that apply pressure to the second plate to hold the corner square and secure.



CAT. NO. 4443C
Minimum order: 20 each

CRL Spring Clips for Aluminum Frame Molding

- Holds Framed Object Snugly Against Frame Molding

CRL Spring Clips are designed to hold the framed object snugly against the front lip of the Aluminum Frame Molding.



CAT. NO. 4443S
Minimum order: 100 each

CRL Hanger Set for Aluminum Frame Molding

- Easy to Install Hanger Includes Set Screw

The CRL Hanger Set slides into the back channel on the Aluminum Frame Molding and locks in place with a set screw. Used to hang the fabricated frames to the wall. Consists of a stamped hanger and set screw.

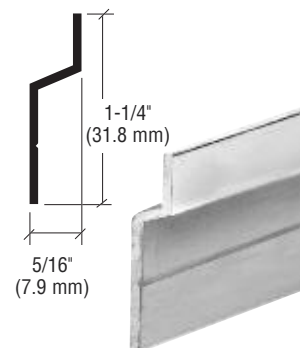


CAT. NO. 4443H
Minimum order: 100 each

CRL Universal Frame Hanging Cleat

- Attaches to Wall Studs for Secure Install

Used as an alternative to the Hanger Set, CRL Universal Frame Hanging Cleat has a unique "Z" profile that holds a frame away from direct contact with the wall surface. The shape of the Cleat locks right into the back channel on the Aluminum Frame Molding. 12 foot (3.66 m) stock lengths.



CAT. NO. MFHC144

Minimum order: 1 stock length. A Packing Charge will be added to orders of fewer than 10 combined lengths. Stock lengths longer than 98" (2.49 m) must ship common carrier, unless you specify we cut them for UPS. A Cutting Charge will apply.

CRL Decorative Aluminum Mirror Frames

- Available in 12 Foot Extrusions or Custom K.D. Units Fabricated to Your Specifications
- Designed for 3/16" to 1/4" (5 to 6 mm) Mirror
- Several Popular Architectural Finishes to Complement Bath Fixtures

CRL Decorative Aluminum Mirror Frames are an excellent way to add profits to your bottom line. If you are already installing a Frameless Shower Enclosure in your client's bath, what better way to complete the project than with complementing Decorative Mirror Frames? Available in the most popular architectural finishes: Brite Anodized, Brite Gold Anodized, Brushed Nickel, Oil Rubbed Bronze, Satin Chrome, and White.

These Aluminum Framed Mirrors are easy to fabricate. Simply miter cut the Frame extrusion, connect the Extrusion with four Corner Brackets and Screws, attach the Hanger Cleat to the wall studs for a secure installation, and hang your mirror.

All Decorative Aluminum Mirror Frames below are sold in 12 foot (3.66 m) stock lengths. The Hanger Cleat, Corner Brackets with Screws, Setting and Retainer Blocks are sold separately (see next page for Hanger Cleat and Hardware Pack).

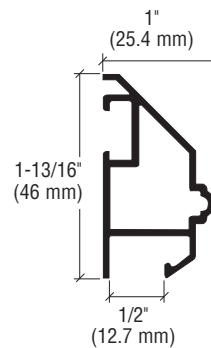
NOTE: Maximum mirror weight should not exceed 35 pounds (15.9 kg). For heavier mirrors a bottom support is required.



CRL Victorian Mirror Frame Extrusion

CRL Victorian Mirror Frames give a vintage look to the framed mirror. A truly stylish frame, your customer will be very pleased, especially when installed over antique style vanities. The Hanger Cleat and Corners are sold separately (see opposite page).

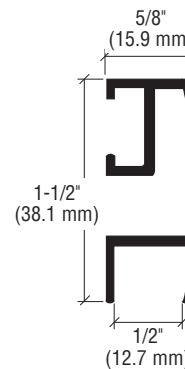
CAT. NO.	FINISH	LENGTH
VF144BA	Brite Anodized	12' (3.66 m)
VF144BGA	Brite Gold Anodized	12' (3.66 m)
VF144BN	Brushed Nickel	12' (3.66 m)
VF144ORB	Oil Rubbed Bronze	12' (3.66 m)
VF144SC	Satin Chrome	12' (3.66 m)
VF144W	White	12' (3.66 m)



CRL Rectangular Mirror Frame Extrusion

CRL Rectangular Mirror Frames offer a traditional framed look to any mirror. The aluminum frame will last for years, and is offered in several popular architectural finishes to complement bath fixtures. The Hanger Cleat and Corners are sold separately (see opposite page).

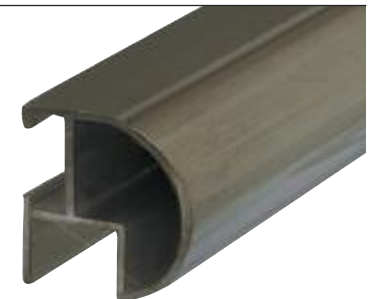
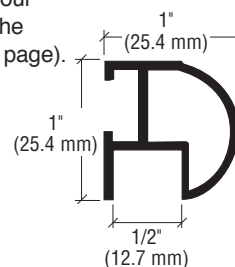
CAT. NO.	FINISH	LENGTH
RF144BA	Brite Anodized	12' (3.66 m)
RF144BGA	Brite Gold Anodized	12' (3.66 m)
RF144BN	Brushed Nickel	12' (3.66 m)
RF144ORB	Oil Rubbed Bronze	12' (3.66 m)
RF144SC	Satin Chrome	12' (3.66 m)
RF144W	White	12' (3.66 m)



CRL Bull Nose Mirror Frame Extrusion

CRL Bull Nose Mirror Frames offer a full rounded look to the framed mirror. If your customer wishes to match the Bull Nose edge work on their counter tops, this is the frame for them. The Hanger Cleat and Corners are sold separately (see opposite page).

CAT. NO.	FINISH	LENGTH
BF144BA	Brite Anodized	12' (3.66 m)
BF144BGA	Brite Gold Anodized	12' (3.66 m)
BF144BN	Brushed Nickel	12' (3.66 m)
BF144ORB	Oil Rubbed Bronze	12' (3.66 m)
BF144SC	Satin Chrome	12' (3.66 m)
BF144W	White	12' (3.66 m)

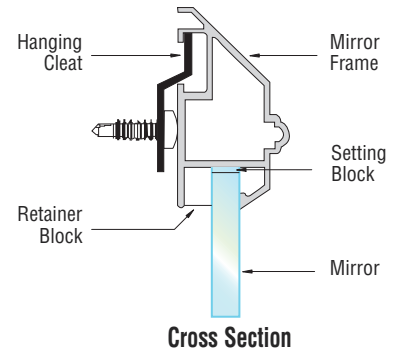
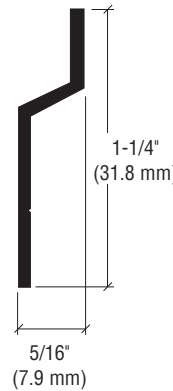


Minimum order: 1 stock length. All finishes and shapes can be combined for quantity pricing. A Packing Charge will be added to orders of fewer than 10 combined lengths. Stock lengths longer than 98" (2.49 m) must ship common carrier, unless you specify we cut them for U.P.S. A Cutting Charge will apply.

CRL Mirror Frame Hanging Cleat

- Attaches to Wall Studs for Secure Install of Decorative Aluminum Mirror Frames

This CRL Mirror Frame Hanging Cleat has a unique "stepped" profile that holds a mirror away from direct contact with the wall surface. The shape of the Cleat helps keep moisture from being trapped behind the mirror, while also concealing screws and support hardware. 12 foot (3.66 m) stock lengths.



Cross Section

Minimum order: 1 stock length. A Packing Charge will be added to orders of fewer than 10 combined lengths. Stock lengths longer than 98" (2.49 m) must ship common carrier, unless you specify we cut them for UPS. A Cutting Charge will apply.

CAT. NO. MFHC144

CRL Decorative Mirror Frame Hardware Pack

- Corners to Join Mitered Mirror Frame Sections
- Complete With Screws and Glass Blocks

This Hardware Pack for CRL Decorative Mirror Frame works with all three profiles. It includes the Corner Brackets threaded for the screws that apply pressure to hold the mitered corner square and secure.

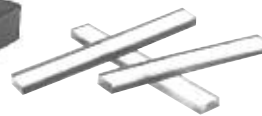
Each package contains four Corner Brackets, eight Screws, eight Retainer Blocks that go behind the mirror to snug it into the frame, and eight Setting Blocks that go along the edge of the mirror in the frame channel. See cross section illustration at top right for details on placement of Blocks.



Frame Corner with Screws



Retainer Blocks



Setting Blocks



CAT. NO. DMF144H

Minimum order: 1 pack.

CRL Custom Fabricated Decorative Aluminum Mirror Frames



- Save Time, Let CRL Custom Fabricate Decorative Mirror Frames to Your Specifications
- You Just Add Your Mirror and Hang
- Frames Can Ship K.D. Via UPS

CRL can assist you with any of your Custom Fabricated Decorative Aluminum Mirror Frames. Just choose a frame style and finish, give us the overall width and height measurements. It's that easy. You can rest assured that your frame will be ready to receive your mirror and to be hung on your customer's wall. We supply the Frame, miter cut to your specifications, plus the appropriate size Hanging Cleat and Hardware Pack required for assembly.

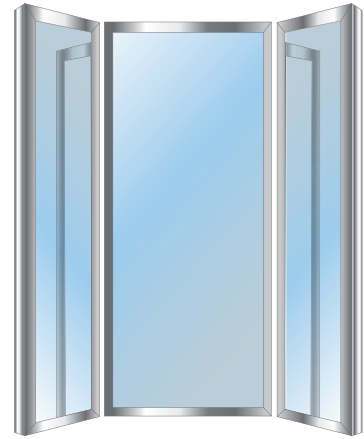
For additional information, contact CRL Customer Service at (800) 421-6144 in the U.S., (877) 421-6144 from Canada, or (323) 588-1281 International, and ask for Ext. 5275. You can also e-mail us through our web site crlaurence.com. From the home page click on Contact Us, and then click on Customer Service.



CRL Stock Aluminum Triple Mirror Frames

• Continuous Hinge Frame Model With Satin Anodized Finish

CRL Aluminum Triple Mirror Frames are available in two stock sizes. Offered in a satin anodized finish, stock frames can accommodate up to 1/4" (6 mm) thick mirror. The frame design eliminates fastening screw visibility, which enhances the overall look and quality of this product. Mirror is not included.



CAT. NO.	OVERALL OPEN SIZE	HEIGHT	CENTER WIDTH	WINGS WIDTH
D1971A60X24X18	60" x 60" (1524 x 1524 mm)	60" (1524 mm)	24" (610 mm)	18" (457 mm)
D1971A60X20X20	60" x 60" (1524 x 1524 mm)	60" (1524 mm)	20" (508 mm)	20" (508 mm)

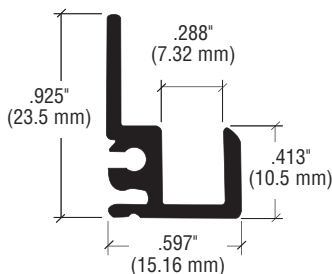
Minimum order: 1 each.

CRL "Make It Yourself" Mirror Frame Extrusions

- Fabricate Custom Frames From Stock Extrusions
- Available in Four Finishes



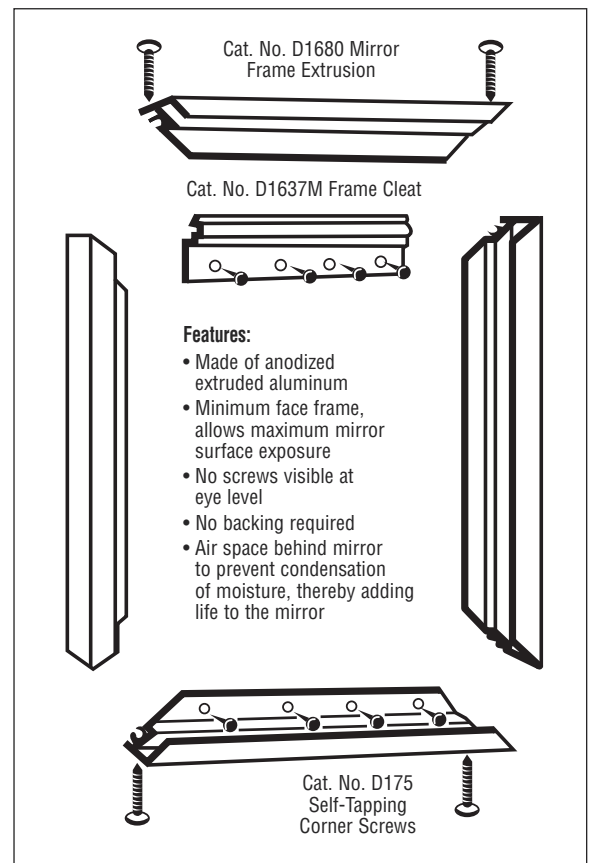
The CRL "Make It Yourself" Mirror Frame Extrusion has a 13/32" (10.5 mm) frame face, which allows for maximum mirror surface exposure and a unique profile, and eliminates the need for a backing. When hung using a Frame Cleat, the space behind the mirror prevents condensation of moisture, which adds life to the mirror. Fabrication consists of simply miter cutting the frame, drilling a 1/8" (3.2 mm) hole, and screwing the frame together using Cat. No. D175 Corner Screws. Stock lengths are 12' (3.66 m).



MODEL D1680
Frame Extrusion

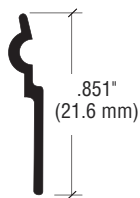
CAT. NO.	DESCRIPTION	FINISH
D1680A	Frame Extrusion	Satin Anodized
D1680BA	Frame Extrusion	Brite Anodized
D1680DU	Frame Extrusion	Duranodic Bronze
D1680GA	Frame Extrusion	Gold Anodized
D1637M	Frame Cleat	Mill
D175	# Corner Screws	Zinc

Minimum order: 1 stock length. All finishes and shapes can be combined for quantity pricing. A packing charge will be added to orders of fewer than 10 combined lengths. Stock lengths longer than 98" (2.49 m) must ship common carrier, unless you specify we cut them for UPS. A Cutting Charge will apply.
Minimum order for Corner Screws: 100 each.

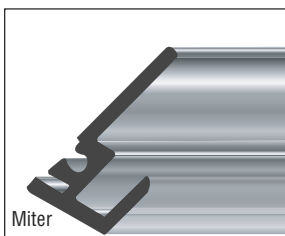


Features:

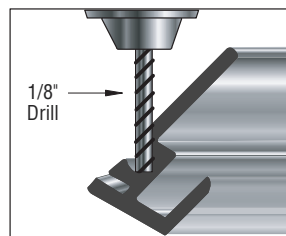
- Made of anodized extruded aluminum
- Minimum face frame, allows maximum mirror surface exposure
- No screws visible at eye level
- No backing required
- Air space behind mirror to prevent condensation of moisture, thereby adding life to the mirror



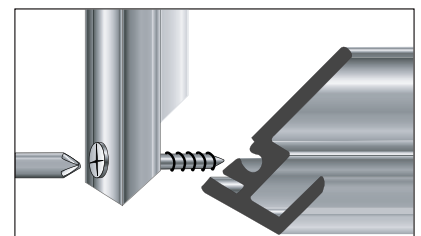
MODEL D1637M
Frame Cleat



1. Miter cut Frame Extrusion to required size.



2. Drill screw holes at each end of top and bottom frame members, using 1/8" drill.



3. Screw frame together and hang it on Cat. No. D1637M Frame Cleat.

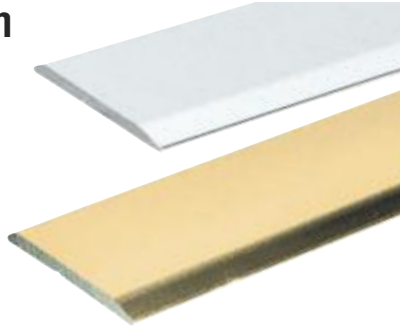
CRL MIRROR FRAMES

For Pricing Visit crlaurence.com or Call Us Toll Free at the Phone Numbers Shown on the Back Cover

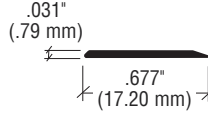
CRL 5/8" Aluminum Flat Bar Extrusion With Bevel

SPECIFICATIONS:

Material: 6063-T5 Aluminum Alloy
Thickness: .031" (.79 mm)
Stock Length: 12'-0" (3.66 m)
Typical Use: Used as Mirror Edge; may be used in place of an upper J-Channel.



CAT. NO.	FINISH	QTY/CASE
S625A	Satin Anodized	50
S625BA	Brite Anodized	50
S625BGA	Brite Gold Anodized	50
S625BN	Brushed Nickel	50
S625P	Polished	50



Minimum order: 1 stock length.

CRL Plastic Reflective Tape

SPECIFICATIONS:

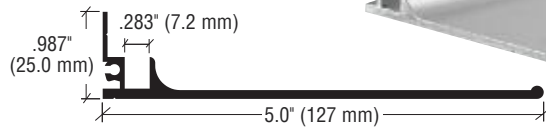
Material: Natural ABS
Roll Length: 100' (30.5 m)
Typical Use: Hide butt joints and rough edges on mirror walls.



CAT. NO.	FINISH	WIDTH	THICKNESS
PRT400CH	Chrome	1/2" (12.7 mm)	.040" (1.02 mm)
PRT400BR	Brass	1/2" (12.7 mm)	.040" (1.02 mm)
PRT475CH	Chrome	3/4" (19 mm)	.040" (1.02 mm)
PRT475BR	Brass	3/4" (19 mm)	.040" (1.02 mm)
PRT490CH	Chrome	1" (25.4 mm)	.030" (.762 mm)
PRT490BR	Brass	1" (25.4 mm)	.030" (.762 mm)

Minimum order: 1 roll. Widths and finishes can be combined for quantity pricing.

CRL Mirror Frame Shelf Extrusion

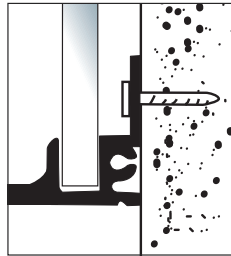


SPECIFICATIONS:

Material: 6063-T5 Aluminum Alloy
Thickness: .063" (1.60 mm)
Stock Length: 12'-0" (3.66 m)
Typical Use: Used to replace D1680 Extrusion on bottom of mirror frame to create a shelf.

CAT. NO.	FINISH	QTY/CASE
D1684A	Satin Anodized	10

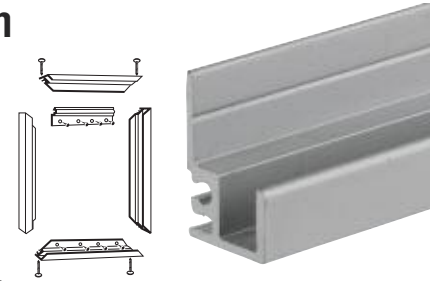
Minimum order: 1 stock length.



CRL Aluminum Mirror Frame Extrusion

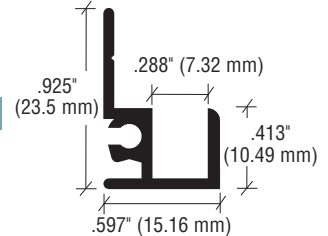
SPECIFICATIONS:

Material: 6063-T5 Aluminum Alloy
Thickness: .065" (1.65 mm)
Stock Length: 12'-0" (3.66 m)
Typical Use: Used to make custom mirror frames. See page 406J.



CAT. NO.	FINISH	QTY/CASE
D1680A	Satin Anodized	10
D1680BA	Brite Anodized	10
D1680DU	Duranodic Bronze	10
D1680GA	Gold Anodized	10

Minimum order: 1 stock length.



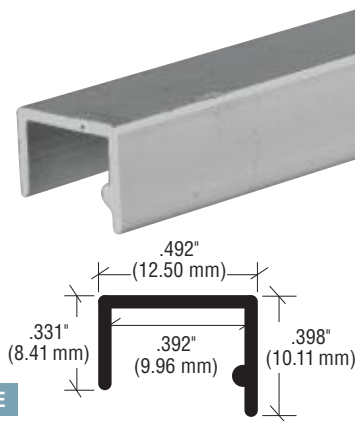
CRL Aluminum Top Channel Extrusion

SPECIFICATIONS:

Material: 6063-T5 Aluminum Alloy
Thickness: .050" (1.27 mm)
Stock Length: 12'-0" (3.66 m)
Typical Use: At the top of a mirror. Fits in the pocket created by the D1637M Cleat.

CAT. NO.	FINISH	QTY/CASE
D1638A	Satin Anodized	50
D1638DU	Duranodic Bronze	50

Minimum order: 1 stock length.



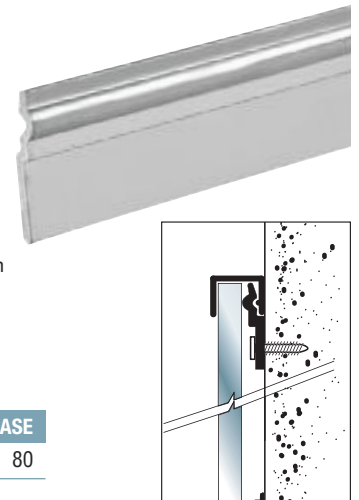
CRL Mirror Mount System Cleat

SPECIFICATIONS:

Material: 6063-T5 Aluminum Alloy
Thickness: .047" (1.19 mm)
Stock Length: 12'-0" (3.66 m)
Typical Use: Holds mirror away from direct contact with the wall surface. Can be used with D1680 Mirror Frame Extrusion or D1638 Top Channel.

CAT. NO.	FINISH	QTY/CASE
D1637M	Mill	80

Minimum order: 1 stock length.

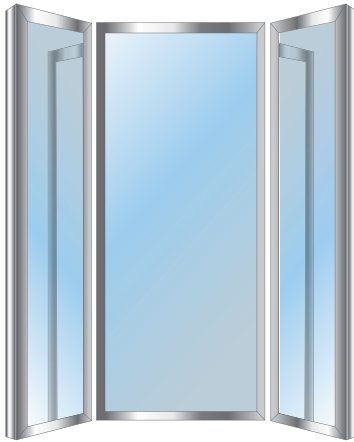


All finishes and shapes can be combined for quantity pricing. A Packing Charge will be added to orders of fewer than 10 combined lengths. Stock lengths longer than 98" (2.49 m) must ship common carrier, unless you specify we cut them for U.P.S. A Cutting Charge will apply.

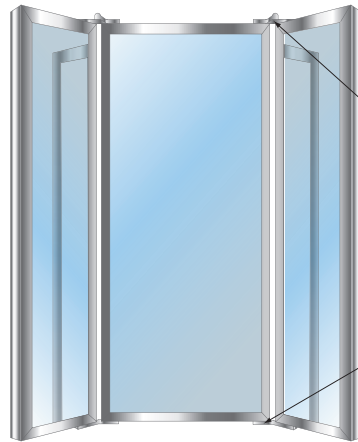
CRL Custom Made Aluminum Triple Mirror Frames

- Custom Made to Your Specifications in Three Different Styles
- Available in Up to Five Popular Finishes: Satin and Brite Anodized, Duranodic Bronze, Satin Gold, and Brite Gold Anodized

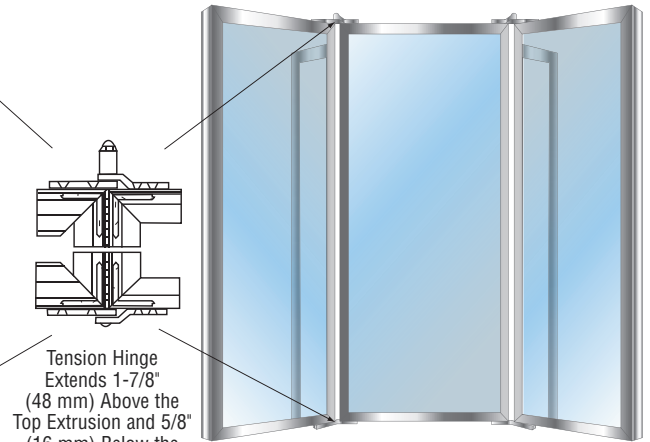
NOTE: Maximum overall height is 72" (1829 mm). Maximum width for each panel is 36" (914 mm). All Custom Mirror Frame orders are non-cancelable, and may not be returned for credit.



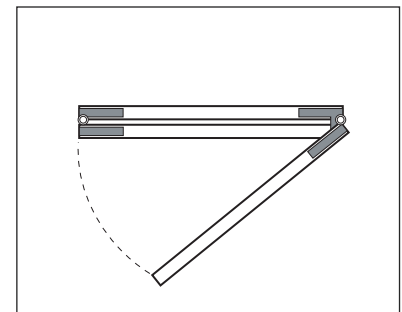
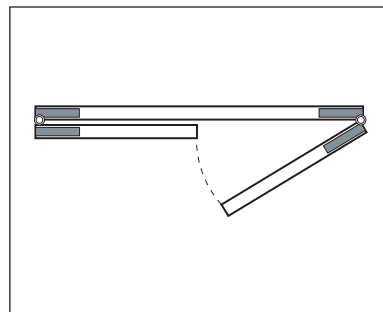
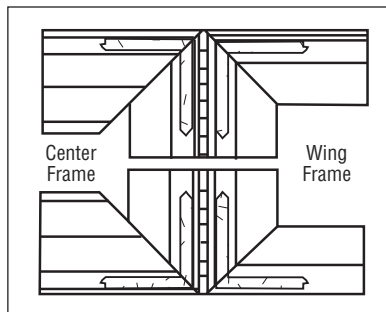
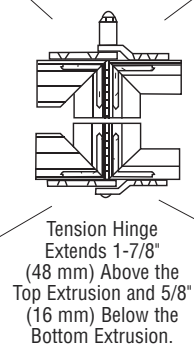
MODEL D1971
Continuous Hinge Frame



MODEL D1975
Fold Over Frame



MODEL D1976
Double Fold Over Frame



The CRL D1971 Continuous Hinge Mirror Frame is the most popular model in the Triple Mirror Frame Series. Easy to assemble and adjust, the wings swing out to any desired position. CRL has designed this model to minimize the exposure of hinge hardware. Specify overall height and width of frame and width of wing size when ordering. D750 Glazing Vinyl included. Mirror not included.

The CRL D1975 Fold Over Mirror Frame uses a "Tension Hinge Set System" to hold the side panels at the preferred angle. The mirror side panels are designed to fold over on the center panel if each wing panel width is half of the overall center panel. This product is an excellent choice if periodic storage is required. Specify overall width and height of frame and width of wing size when ordering. D750 Glazing Vinyl included. Mirror not included.

The CRL D1976 Double Fold Over Mirror Frame uses a "Tension Hinge Set System" designed to hold the panels open at any adjusted angle, and to permit the three equally dimensioned panels to fold flat when the mirror frame is not in use. Specify overall width and height of frame when ordering. D750 Glazing Vinyl included. Mirror not included.

CAT. NO.	FINISH
D1971A	Satin Anodized
D1971GA	Gold Anodized
D1971DU	Duranodic Bronze
D1971BA	Brite Anodized
D1971BGA	Brite Gold Anodized

Minimum order: 1 each.

CAT. NO.	FINISH
D1975A	Satin Anodized
D1975GA	Gold Anodized
D1975DU	Duranodic Bronze
D1975BGA	Brite Gold Anodized

Minimum order: 1 each.

CAT. NO.	FINISH
D1976A	Satin Anodized
D1976GA	Gold Anodized
D1976DU	Duranodic Bronze
D1976BGA	Brite Gold Anodized

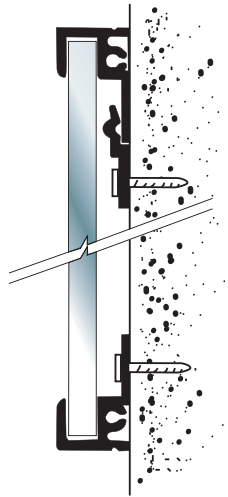
Minimum order: 1 each.

CRL Stock Size Aluminum Mirror Frames and Shelves

- Available from Stock in Nine Popular Sizes
- Two Finishes: Satin and Brite Anodized
- Optional Shelf Available

CRL Stock Size Aluminum Mirror Frames can be ordered from inventory for immediate shipment in nine of the most popular sizes in either satin or brite anodized finishes.

Stock Size Mirror Frames are easy to assemble by simply fitting the mitered extrusion lengths around the mirror and inserting screws into the pre-drilled holes. All Stock Size Aluminum Mirror Frames are individually packaged for UPS shipment.



- Easy to Mount

NOTE: Mirror not included with Mirror Frames.

SATIN ANODIZED CAT. NO.	BRITE ANODIZED CAT. NO.	FRAME SIZE WIDTH X HEIGHT
D1950A16X20	D1950BA16X20	16" x 20" (406 x 508 mm)
D1950A16X22	D1950BA16X22	16" x 22" (406 x 558 mm)
D1950A16X24	D1950BA16X24	16" x 24" (406 x 610 mm)
D1950A18X24	D1950BA18X24	18" x 24" (457 x 610 mm)
D1950A18X30	D1950BA18X30	18" x 30" (457 x 762 mm)
D1950A18X36	D1950BA18X36	18" x 36" (457 x 914 mm)
D1950A24X24	D1950BA24X24	24" x 24" (610 x 610 mm)
D1950A24X30	D1950BA24X30	24" x 30" (610 x 762 mm)
D1950A24X36	D1950BA24X36	24" x 36" (610 x 914 mm)

Minimum order: 1 each. Sizes and finishes can be combined for quantity pricing.
NOTE: Mirror not included with Mirror Frames.

D1950 Mirror Frame Only



D1950 Mirror Frame With D1684 Shelf

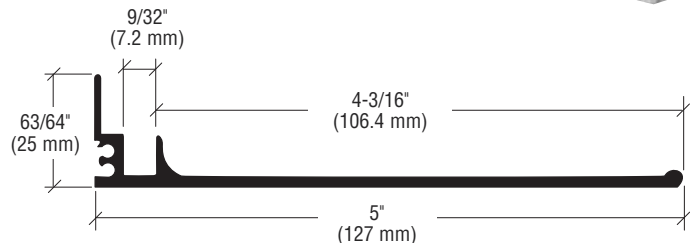
CRL Optional Shelf for Stock Size D1950 Mirror Frames

- Spacious Shelf is Over 4" (102 mm) Wide
- Available in Satin and Brite Anodized Finishes

This Optional Shelf for CRL Stock Size D1950 Mirror Frames is available in lengths of 16", 18", and 24" (406, 457, and 610 mm). The Shelf is easy to assemble since it replaces the bottom extrusion that is part of the stock frame. Shelves are stock sizes and ship as an optional component of our Stock Size D1950 Aluminum Mirror Frames.

SATIN ANODIZED CAT. NO.	BRITE ANODIZED CAT. NO.	SHELF LENGTH
D1684A16	D1684BA16	16" (406 mm)
D1684A18	D1684BA18	18" (457 mm)
D1684A24	D1684BA24	24" (610 mm)

Minimum order: 1 each. Sizes and finishes can be combined for quantity pricing.



CRL Custom Aluminum Mirror Frames

- Made to Your Exact Specifications
- Available in Many Attractive Finishes
- Narrow Extrusion Face Allows Increased Mirror Visibility
- Individually Packaged to Ship U.P.S.

CRL Custom Aluminum Mirror Frames are available in two different styles and many attractive finishes that will match virtually any décor. The entire assembly and mounting process takes only minutes because your custom frame is fabricated to exact specifications and tolerances.

The D1950 Custom Aluminum Mirror Frame is our most popular model for a number of reasons. Its narrow 13/32" (10.5 mm) frame face allows maximum exposure of the mirror surface. The entire assembly and mounting process takes only minutes because only two extrusion components, plus screws, are needed to fabricate the frame. Plus, it's available in six attractive finishes.

The D1984 Custom Aluminum Mirror Frame comes with a 5" (127 mm) wide integral shelf that replaces the normal lower extrusion. Assembly and mounting is just as simple as our D1950 Mirror Frame. It's available in four decorator finishes and custom fabricated to your specifications. The shelf of the No. D1984 makes it a handy addition for use in bathrooms, dressing rooms, etc.

By using the simple ordering guidelines below, your order can be fabricated and on its way in a few days. For additional information, contact CRL Customer Service at (800) 421-6144 in the U.S., (877) 421-6144 from Canada, or (323) 588-1281 International, and ask for extension 5275. You can also e-mail us through our web site at crlaurence.com. From the home page click on Contact Us, and then click on Customer Service.

1. Specify Frame Model

D1950 Custom Mirror Frame
D1984 Custom Mirror Frame with Integral Shelf

2. Specify Finish Required

A = Satin Anodized
GA = Gold Anodized
DU = Duranodic Bronze
BA = Brite Anodized
BGA = Brite Gold Anodized
FB = Flat Black Anodized

NOTE: Maximum frame size is 72 united inches. For example: if width is 24" (610 mm), then height cannot exceed 48" (1219 mm); if width is 36" (914 mm), then height cannot exceed 36" (914 mm). All Custom Mirror Frame orders are non-cancelable, and may not be returned for credit.

3. Specify Outside Frame Measurements, Width by Height (W x H)

NOTE: If ordering to fit stock mirror sheets, add 5/16" (7.9 mm) to the frame's width and height measurements

4. Specify Screw Type

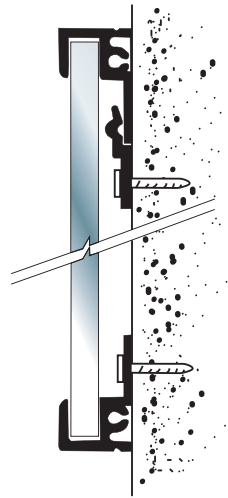
Type "B" has screw holes on the top and bottom members.
Type "S" has screw holes on the sides.



MODEL D1950



MODEL D1984



Easy to Mount

- Available in Two Styles - With or Without a Shelf

CUSTOM FRAME WITHOUT SHELF

CAT. NO.	FINISH
D1950A	Satin Anodized
D1950GA	Gold Anodized
D1950DU	Duranodic Bronze
D1950BA	Brite Anodized
D1950BGA	Brite Gold Anodized
D1950FB	Flat Black Anodized

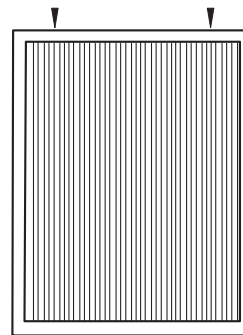
Minimum order: 1 each. **NOTE:** Mirror and Glazing Vinyl not included with Mirror Frames.

CUSTOM FRAME WITH INTEGRAL SHELF

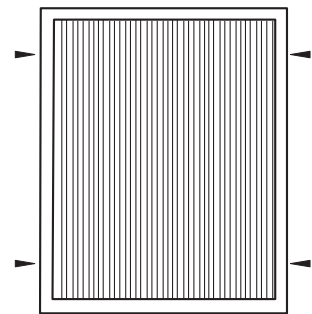
CAT. NO.	FINISH
D1984A	Satin Anodized
D1984GA	Gold Anodized
D1984DU	Duranodic Bronze
D1984BA	Brite Anodized

Minimum order: 1 each. **NOTE:** Mirror and Glazing Vinyl not included with Mirror Frames.

Mounting Screw Type



Type "B"



Type "S"

CRL Stainless Steel Theft-Proof Mirror Frames

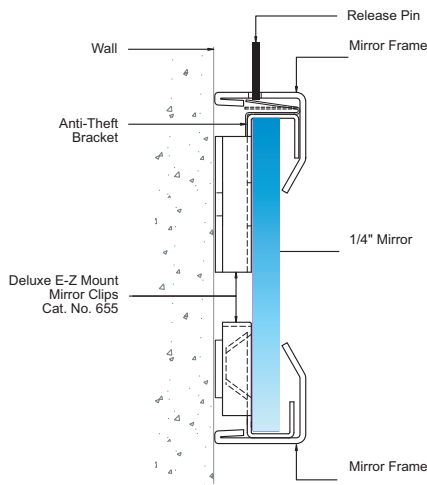


- 18 Gauge Stainless Steel One-Piece Construction
- New Precision Latching Mechanism for Simplified, Theft-Proof Installation

CRL Stock Size Stainless Steel Theft-Proof Mirror Frames feature a welded, one-piece constructed, 18 gauge stainless steel frame with ground and polished corners. Interior frame hangers provide ventilation to the mirror and silvering. A pre-drilled wall bracket and precision latching mechanisms allow mounting with no exposed screws. The latching mechanisms also keep the mirror theft-proof while permitting easy removal by maintenance personnel. This frame eliminates the need for a cardboard filler and galvanized back methods, providing the mirror with longer life expectancy. Can also be ordered with the optional Stainless Steel Integral Shelf shown below.



NOTE: Mirror not included.



Mounts in Three Easy Steps:



Fasten mounting brackets to wall and insert mirror onto bottom clips



Fasten mirror into top clips



Snap frame over mirror and into the mounting bracket

Custom Size Ordering Information:

CRL Stainless Steel Theft-Proof Mirror Frames are available in custom dimensions to meet your specific requirements. When ordering specify the width and height in inches, Style No. TPM. Also, specify if you require the TPMS Integral Lower Shelf. **NOTE:** For Frames larger than 72" (1829 mm) x 36" (914 mm), specify Style No. TPMC Custom Heavy-Duty 16 Gauge Frame. Both styles are available only in #4 Satin Stainless Steel finish, and are shipped from any CRL service center. Frames larger than 48" (1219 mm) in overall width or height will be assessed a Crating Charge. Custom Size Frames may not be returned for credit or refund.

Stock Sizes: Our most popular Stainless Steel Theft-Proof Mirror Frame sizes are available from stock. Other sizes not shown can be custom made to your specifications.

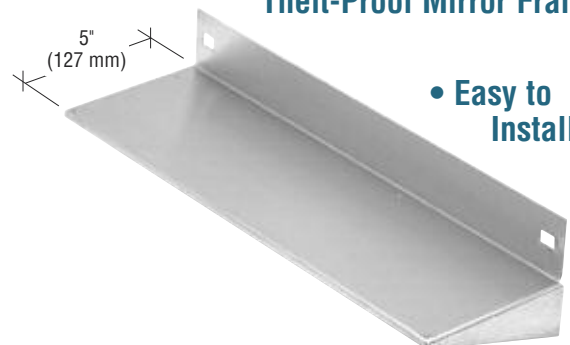
CAT. NO.	WIDTH	HEIGHT
TPM1620	16" (406 mm)	20" (508 mm)
TPM1622	16" (406 mm)	22" (559 mm)
TPM1624	16" (406 mm)	24" (610 mm)
TPM1824	18" (457 mm)	24" (610 mm)
TPM2424	24" (610 mm)	24" (610 mm)
TPM2430	24" (610 mm)	30" (762 mm)
TPM2436	24" (610 mm)	36" (914 mm)

Minimum order: 1 each. All Stainless Steel Theft-Proof Mirror Frames can be combined for quantity pricing.

CRL Stainless Steel Integral Shelf

CRL's Stainless Steel Integral Shelf is available as an option for our Stock Size Stainless Steel Theft-Proof Mirror Frames. Made of 18 gauge, 304 type stainless steel, the one-piece formed shelf has a flanged front edge and angled sides. Easy to install, this option is ideal for use in a restroom or dressing room environment. The mounting frame is secured with the lower frame hanger screws.

- Optional Shelf for Stock Size Theft-Proof Mirror Frames



- Easy to Install

CAT. NO.	WIDTH
TPMS16	16" (406 mm)
TPMS18	18" (457 mm)
TPMS24	24" (610 mm)

Minimum order: 1 each. Other sizes available on special order.

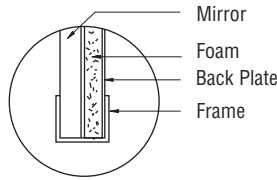
CRL FRAMED MIRRORS

For Pricing Visit crlaurence.com or Call Us Toll Free at the Phone Numbers Shown on the Back Cover

CRL Standard Channel Stainless Steel Theft-Proof Framed Mirrors

- Internal Locking System to Deter Theft
- Glazed With High Quality Float Glass Mirror
- Bright Polished Frame

CRL Standard Channel Stainless Steel Theft-Proof Framed Mirrors are fabricated from high quality float glass and surrounded by a 22 gauge bright polished 1/2" x 1/2" (12.7 x 12.7 mm) stainless steel frame. Applicable hardware furnished with the mirror complements the internal locking system, making it virtually theft-proof. Individually boxed and easy to install.



Float Glass Mirror Included

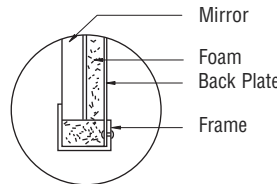
CAT. NO.	WIDTH	HEIGHT
1001620	16-1/4" (413 mm)	20-1/4" (514 mm)
1001624	16-1/4" (413 mm)	24-1/4" (616 mm)
1001824	18-1/4" (464 mm)	24-1/4" (616 mm)
1001830	18-1/4" (464 mm)	30-1/4" (768 mm)
1001836	18-3/4" (476 mm)	36-3/4" (933 mm)
1002430	24-3/4" (629 mm)	30-3/4" (781 mm)
1002436	24-3/4" (629 mm)	36-3/4" (933 mm)

Minimum order: 1 each. All Stainless Steel Framed Mirrors can be combined for quantity pricing.

CRL Deluxe Stainless Steel Theft-Proof Framed Mirrors

- Frame is Mitered, Welded, and Polished
- Glazed With High Quality Float Glass Mirror

CRL's Deluxe Stainless Steel Theft-Proof Framed Mirrors are fabricated from high quality float glass and enclosed by a beautifully mitered, welded, and polished 18 gauge Type 304 stainless steel frame. The frame measures 3/4" x 3/4" (19 x 19 mm). An internal locking system prevents theft. Individually boxed and easy to install.



Float Glass Mirror Included

CAT. NO.	WIDTH	HEIGHT
9001824	18-7/8" (479 mm)	24-7/8" (632 mm)
9001830	18-7/8" (479 mm)	30-7/8" (784 mm)
9001836	18-3/4" (476 mm)	36-3/4" (933 mm)
9002436	24-3/4" (629 mm)	36-3/4" (933 mm)

Minimum order: 1 each. All Stainless Steel Framed Mirrors can be combined for quantity pricing.

Mirror Mounting Hardware, Tools, and Supplies (See Section 4, Pages 438J - 564J)



C.R. LAURENCE COMPANY

crlaurence.com | usalum.com

412J | crlaurence.ca crlaurence.com.au crlaurence.co.uk crlaurence.de crlaurence.eu

CRL Custom Mirrors With Stainless Steel Frames

- Can Be Glazed With Six Different Reflective Surfaces
- Available in Four Different Frame Styles
- Maximum Size for 100 and 900 Series Mirrors is 60" x 120" (1524 x 3048 mm)
- Maximum Size for 990 and 190T Series Mirrors is 24" x 36" (610 x 914 mm)

Mirror Included



CRL's Quick-Fab Program offers you quick turnaround for your custom size framed mirror requirements. Only seven working days are needed to ship Series 100 and 190T Mirrors; only ten working days are needed for Series 900 and 990 Welded Angle Framed Mirrors. Custom Mirrors are F.O.B. all CRL service centers.

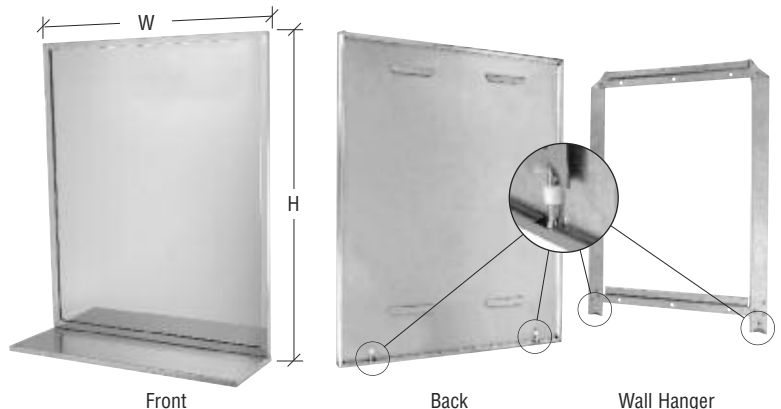
CRL offers our Stainless Steel Mirror Frames in custom sizes with up to six different reflective surfaces: standard float glass mirror, standard float glass mirror with shatterproof backing, #430 stainless steel mirror, acrylic mirror, tempered glass mirror, and laminated glass mirror. Series 100 and 900 Frames can be supplied with 5" (127 mm) stainless steel shelves if desired. They feature the same quality construction of our stock size mirror frames.

Large inventories of bulk material and state-of-the-art equipment at our manufacturing facility allow us to offer prompt delivery on Custom Framed Mirrors. Our Customer Service staff will gladly assist you with information or a quote on all of your framed mirror needs. Contact CRL Customer Service at (800) 421-6144 in the U.S., (877) 421-6144 from Canada, or (323) 588-1281 International. Ask for Ext. 5275. You can e-mail us through our web site at crlaurence.com. From the home page click on Contact Us, and then click on Customer Service.

CRL Stainless Steel Theft-Proof Mirror Frame With Shelf Combination

This CRL Stainless Steel Theft-Proof Mirror Frame With Shelf Combination is a highly functional product with flexibility of usage in a variety of applications. Best suited for restrooms or dressing rooms, it is constructed of Type 430, 22 gauge stainless steel with the front edge of the 5" (127 mm) wide Stainless Steel Shelf hemmed for maximum rigidity. The Shelf is attached to the frame by using heavy gauge concealed brackets, and is constructed of Type 304 Stainless Steel.

- Polished Stainless Steel Frame Glazed With 1/4" (6 mm) Mirror
- Functional 5" (127 mm) Shelf
- Easy to Install



CAT. NO.	WIDTH	HEIGHT
1051824	18" (457 mm)	24" (610 mm)
1052436	24" (610 mm)	36" (914 mm)

Minimum order: 1 each. All Stainless Steel Framed Mirrors can be combined for quantity pricing.

CRL Frameless Stainless Steel Mirror

- Non-Breakable, Highly Polished Stainless Steel Mirror

This CRL Frameless Stainless Steel Mirror is non-breakable due to its all 18 gauge stainless steel construction. The mirror is fabricated with a 1/4" (6 mm) hemmed edge that conceals the durable polystyrene backing. This is an ideal product for institutional use. Furnished with mounting screws.

CAT. NO.	WIDTH	HEIGHT
5301824	18" (457 mm)	24" (610 mm)

Minimum order: 1 each. All Stainless Steel Framed Mirrors can be combined for quantity pricing.



Hemmed Edge Conceals Polystyrene Backing

CRL Adjustable "Tilt" Stainless Steel Framed Mirrors

- Fully Adjustable for Use By the Disabled
- Tilts Up to 7" (178 mm) From Wall
- Glazed With High Quality Float Glass Mirror



Float Glass Mirror Included

CRL's Adjustable "Tilt" Stainless Steel Framed Mirrors provide full visibility for the disabled due to the 7" (178 mm) adjustment feature. Two elbow hinges allow the top to tilt while the bottom of the Mirror mounts to the wall with a stainless steel continuous hinge. Constructed from high quality float glass and a 1/2" x 1/2" (12.7 x 12.7 mm) stainless steel frame. Individually boxed and easy to install.

CAT. NO.	WIDTH	HEIGHT
190T1624	16-1/4" (413 mm)	24-1/4" (616 mm)
190T1824	18-1/4" (464 mm)	24-1/4" (616 mm)

Minimum order: 1 each. All Stainless Steel Framed Mirrors can be combined for quantity pricing. Must ship common carrier.

CRL Fixed "Tilt" Stainless Steel Framed Mirror

- Full Visibility Available for the Disabled
- Tilt Angle is Permanently Fixed
- Glazed With High Quality Float Glass Mirror



Float Glass Mirror Included

CRL Fixed "Tilt" Stainless Steel Mirrors have excellent visibility for the disabled. The Type 304 stainless steel frame is mitered with care, welded, and polished to a #4 satin finish. The Mirror extends 4" (102 mm) out from the top and tapers to 1" (25.4 mm) at the bottom. Individually boxed and easy to install.

CAT. NO.	WIDTH	HEIGHT
9901824	18-1/4" (464 mm)	24-1/4" (616 mm)

Minimum order: 1 each. All Stainless Steel Framed Mirrors can be combined for quantity pricing. Must ship common carrier.

CRL Mirror Cleaner and Polish

- Makes Mirrors and Glass Sparkle
- Strong Foaming Action
- Ammonia-Free Formula Won't Harm Mirrors



CRL Mirror Cleaner and Polish is formulated especially for cleaning mirrors. It has a strong working foaming action that leaves mirrors sparkling clean, with no streaking or smearing. It's also good for cleaning chrome, tile, porcelain, Formica, appliance surfaces, and stainless steel. Terrific for around the house or anywhere there are lots of mirrors to be cleaned. Sold only by the case.

CAT. NO.	NET WEIGHT	QTY/CASE
1982	15 Oz. (425 g)	12

Minimum order: 1 case.

CRL Stainless Steel Polish and Cleaner

- Cleans, Polishes, and Protects
- Resists Fingerprints, Grease, and Water Spatter
- Preserves the Factory Finish of Stainless Steel



CRL Stainless Steel Polish and Cleaner cleans, polishes, and protects stainless steel without hard rubbing and polishing. Resists fingerprints, grease, and water spatter. Helps preserve the factory finish. Stainless Steel Polish and Cleaner can be used on all types of stainless steel window frames, trims, doors, corridor guards, kick plates, dishwashers, refrigerators, freezers, sterilizers, etc. Also excellent for Formica, porcelain, ceramic tile, and chrome.

CAT. NO.	NET WEIGHT	QTY/CASE
CRL841	15 Oz. (425 g)	12

Minimum order: 1 each.

CRL Glass Mirror Plates

- Blister Carded for Retail Display
- 39 Different Styles Available in Three Colors
- Custom Fabricated Plates Available - Just Send Us a Drawing

Our Glass Mirror Switch and Outlet Cover Plates have highly polished 5/16" (8 mm) wide beveled edges, and are cut from quality 3/16" (5 mm) plate glass. The styles to choose from are single, double, triple, quad, five and six gang, including blank plates. All come in three standard colors: clear, bronze, and gray. Other colors are available on special order. Custom cover plate configurations are also possible (see page 427J).



CRL Acrylic Mirror Plates and Grilles

- High Quality Acrylic Cover Plates Have Polished Edges
- Cut From Quality 1/8" (3 mm) Mirror-Backed Acrylic
- Flame Retardant Coating

CRL's Acrylic Mirror Plates are fabricated from high quality mirror-backed acrylic. Each plate is drilled for standard mounting screws which are included with each pack. A peel-off scratch resistant film protects the surface during shipping and handling. 36 different styles are available.



CRL Brass Metal Switch and Outlet Covers

- Heavy Brass Metal in Finishes to Match Our Shower Door Hardware
- Twelve Plate Styles in Chrome, Brass, and Brushed Nickel

Our Brass Metal Switch and Outlet Cover Plates come in twelve different plate styles and three finishes: brass, chrome, and brushed nickel. Each plate has a 5/16" (8 mm) wide bevel and comes with mounting screws.



CRL Beveled Mirror Parts and Strips

- 2" (51 mm), 3" (76 mm), and 4" (102 mm) Sizes
- Mirror Parts Available in Four Different Shapes
- 1/2" (12.7 mm) Polished Bevels

Create custom decorative mirrors out of ordinary glass mirrors using CRL's Beveled Mirror Parts and Strips. Made of 1/4" (6 mm) clear plate glass mirror, Mirror Parts have highly polished 1/2" (12.7 mm) bevels, and are available in four shapes and three sizes.



CRL Glass Mirror Cover Plates



- Blister Carded for Retail Display
- Oversized With Wide Polished Beveled Edges
- 39 Different Styles Available in Three Colors
- Cut From Quality 3/16" (5 mm) Plate Glass
- Custom Cut Cover Plates Available – Just Send Us a Drawing

Our Glass Mirror Switch and Outlet Cover Plates have highly polished 5/16" (8 mm) wide beveled edges, and are cut from quality 3/16" (5 mm) plate glass. There are a total of 39 different styles to choose from in single, double, triple, quad, five and six-gang, including a variety of blank plates. All come in three standard colors: clear, bronze, and gray. Other colors are available on special order, and we can even cut plates out of the same colored mirror being used on your job. Custom cover plate configurations are also possible; just send us your drawing. All plates are individually blister carded in an attractive retail package. Mounting screws and plastic spacers included with each pack.

GLASS MIRROR SWITCH AND OUTLET COVER PLATE DIMENSIONS

STYLE	HEIGHT	WIDTH
Single	5-1/4" (133 mm)	3-1/2" (89 mm)
Double	5-1/4" (133 mm)	5-1/4" (133 mm)
Triple	5-1/4" (133 mm)	7-1/4" (184 mm)
Quad	5-1/4" (133 mm)	9" (229 mm)
Five-Gang	5-1/4" (133 mm)	10-3/4" (273 mm)
Six-Gang	5-1/4" (133 mm)	12-5/8" (321 mm)

CRL Acrylic Mirror Cover Plates



- High Quality Acrylic Cover Plates Have Polished Edges
- Cut to Full Oversize Dimensions
- Large Variety of Attractive and Economical Plates From Which to Choose
- Cut From Quality 1/8" (3 mm) Mirror-Backed Acrylic
- Flame Retardant Coating Meets CSA for Canada Standard

CRL Acrylic Mirror Switch and Outlet Cover Plates are made of high quality, 1/8" (3 mm) mirror-backed acrylic with high polished edges. Each plate is drilled for standard mounting screws (included), and are packed and shipped with peel-off scratch resistant film. There are 36 stock styles, all available in both clear and bronze mirror. CRL Acrylic Mirror Switch and Outlet Cover Plates are versatile, economical, and attractive. Flame retardant backing meets Canadian Standards Association safety performance standards.

ACRYLIC MIRROR SWITCH AND OUTLET COVER PLATE DIMENSIONS

STYLE	HEIGHT	WIDTH
Single	5-3/8" (136 mm)	3-3/8" (86 mm)
Double	5-3/8" (136 mm)	5-3/8" (136 mm)
Triple	5-3/8" (136 mm)	7-1/4" (184 mm)
Quad	5-3/8" (136 mm)	9" (229 mm)
Five-Gang	5-3/8" (136 mm)	10-7/8" (276 mm)
Six-Gang	5-3/8" (136 mm)	12-5/8" (321 mm)

CRL Brass Metal Cover Plates



- Heavy Brass Metal in Finishes to Match Our Shower Door Hardware
- Twelve Plate Styles in the Three Most Popular Finishes: Chrome, Brass, and Brushed Nickel
- 5/16" (8 mm) Wide Beveled Edges
- Complete With Matching Finish Mounting Screws

Now you can complete the overall look of a remodeled bathroom with our heavy Brass Metal Switch and Outlet Cover Plates in the same beautiful finishes as our Frameless Shower Hinges, Pulls, Knobs, Towel Bars, and Glass Clamps. Our Brass Metal Switch and Outlet Cover Plates come in twelve different plate styles and three finishes: brass, chrome, and brushed nickel. Each plate has a 5/16" (8 mm) wide bevel and comes with the mounting screws. Each Brass Metal Cover Plate is individually boxed to protect its finish until installation.

BRASS METAL SWITCH AND OUTLET COVER PLATE DIMENSIONS

STYLE	HEIGHT	WIDTH
Single	5-1/4" (133 mm)	3-1/2" (89 mm)
Double	5-1/4" (133 mm)	5-1/4" (133 mm)
Triple	5-1/4" (133 mm)	7-1/4" (184 mm)
Quad	5-1/4" (133 mm)	9" (229 mm)

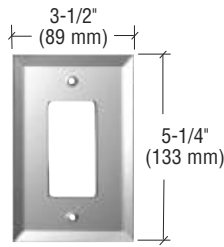
CRL SWITCH AND OUTLET COVER PLATES

For Pricing Visit crlaurence.com or Call Us Toll Free at the Phone Numbers Shown on the Back Cover

Single Designer

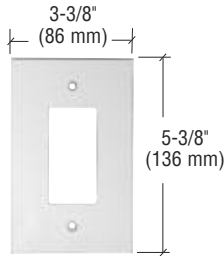
GLASS

CAT. NO.	COLOR
GMP12C	Clear
GMP12B	Bronze
GMP12G	Gray



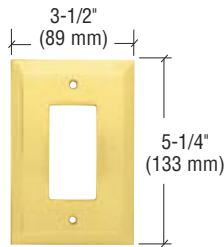
ACRYLIC

CAT. NO.	COLOR
PMP102	Clear
PMP102BRZ	Bronze



BRASS METAL

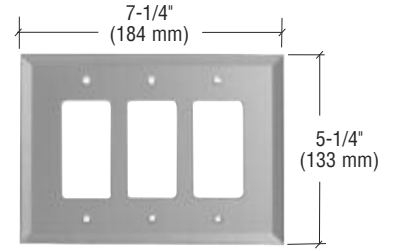
CAT. NO.	FINISH
MMP12BN	Brushed Nickel
MMP12BR	Brass
MMP12CH	Chrome



Triple Designer

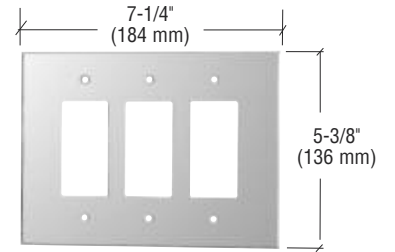
GLASS

CAT. NO.	COLOR
GMP16C	Clear
GMP16B	Bronze
GMP16G	Gray



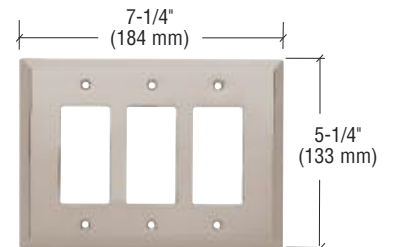
ACRYLIC

CAT. NO.	COLOR
PMP302	Clear
PMP302BRZ	Bronze



BRASS METAL

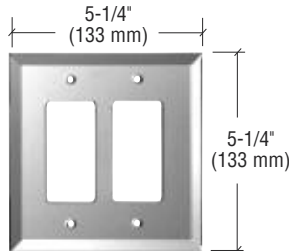
CAT. NO.	FINISH
MMP16BN	Brushed Nickel
MMP16BR	Brass
MMP16CH	Chrome



Double Designer

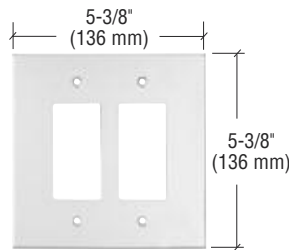
GLASS

CAT. NO.	COLOR
GMP13C	Clear
GMP13B	Bronze
GMP13G	Gray



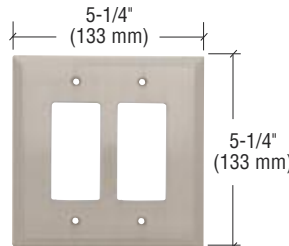
ACRYLIC

CAT. NO.	COLOR
PMP202	Clear
PMP202BRZ	Bronze



BRASS METAL

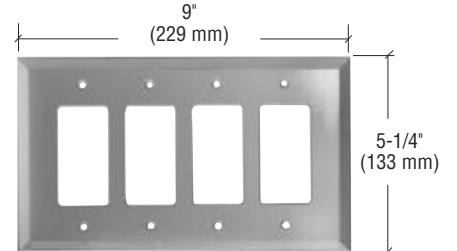
CAT. NO.	FINISH
MMP13BN	Brushed Nickel
MMP13BR	Brass
MMP13CH	Chrome



Quad Designer

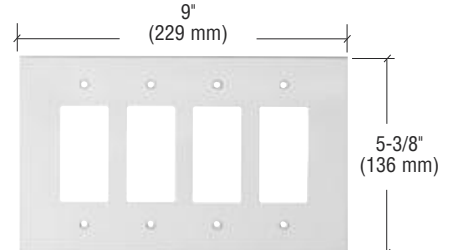
GLASS

CAT. NO.	COLOR
GMP17C	Clear
GMP17B	Bronze
GMP17G	Gray



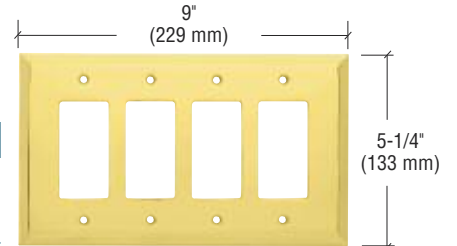
ACRYLIC

CAT. NO.	COLOR
PMP402	Clear
PMP402BRZ	Bronze



BRASS METAL

CAT. NO.	FINISH
MMP17BN	Brushed Nickel
MMP17BR	Brass
MMP17CH	Chrome



NOTE: All Designer Hole Spacing is 3-13/16" (97 mm) center-to-center.
Minimum order: 1 each. All Cover Plates can be combined for quantity pricing.

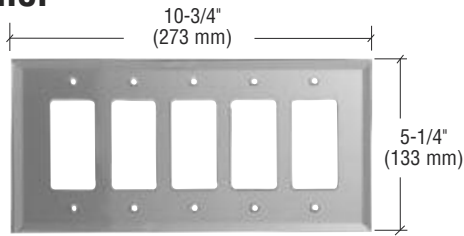
CRL SWITCH AND OUTLET COVER PLATES

For Pricing Visit crlaurence.com or Call Us Toll Free at the Phone Numbers Shown on the Back Cover

Five-Gang Designer

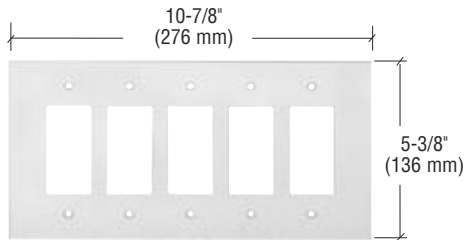
GLASS

CAT. NO.	COLOR
GMP502C	Clear
GMP502B	Bronze
GMP502G	Gray



ACRYLIC

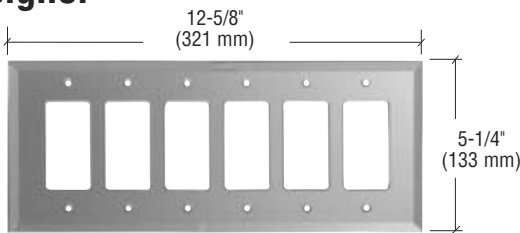
CAT. NO.	COLOR
PMP502	Clear



Six-Gang Designer

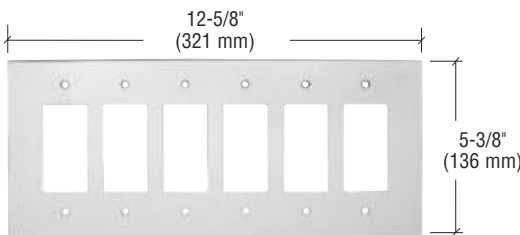
GLASS

CAT. NO.	COLOR
GMP602C	Clear
GMP602B	Bronze
GMP602G	Gray



ACRYLIC

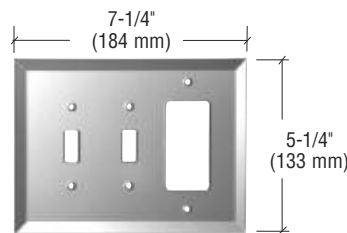
CAT. NO.	COLOR
PMP602	Clear



2X Toggle Designer Combo

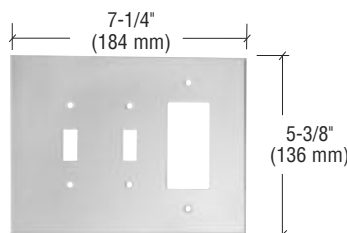
GLASS

CAT. NO.	COLOR
GMP15C	Clear
GMP15B	Bronze
GMP15G	Gray



ACRYLIC

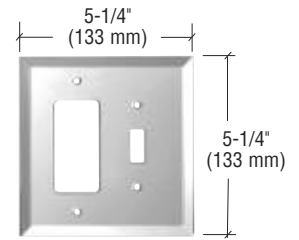
CAT. NO.	COLOR
PMP306	Clear
PMP306BRZ	Bronze



Designer Toggle Combo

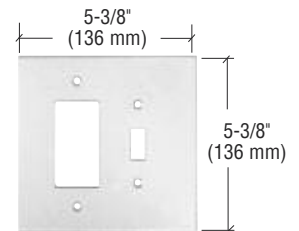
GLASS

CAT. NO.	COLOR
GMP14C	Clear
GMP14B	Bronze
GMP14G	Gray



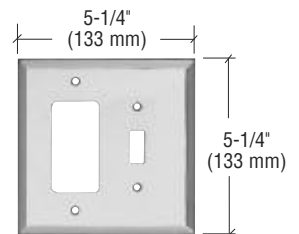
ACRYLIC

CAT. NO.	COLOR
PMP206	Clear
PMP206BRZ	Bronze



BRASS METAL

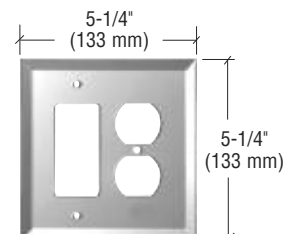
CAT. NO.	FINISH
MMP14BN	Brushed Nickel
MMP14BR	Brass
MMP14CH	Chrome



Designer Duplex Combo

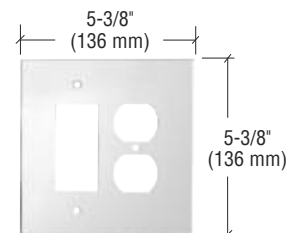
GLASS

CAT. NO.	COLOR
GMP18C	Clear
GMP18B	Bronze
GMP18G	Gray



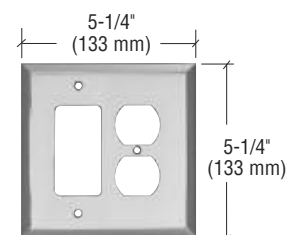
ACRYLIC

CAT. NO.	COLOR
PMP205	Clear
PMP205BRZ	Bronze



BRASS METAL

CAT. NO.	FINISH
MMP18BN	Brushed Nickel
MMP18BR	Brass
MMP18CH	Chrome



NOTE: All Designer Hole Spacing is 3-13/16" (97 mm) center-to-center. All Switch Hole Spacing is 2-3/8" (60 mm) center-to-center. Minimum order: 1 each. All Cover Plates can be combined for quantity pricing.



C.R. LAURENCE COMPANY

crlaurence.com | usalum.com

ALUMINUM

418J

crlaurence.ca crlaurence.com.au crlaurence.co.uk crlaurence.de crlaurence.eu

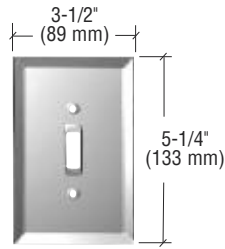
CRL SWITCH AND OUTLET COVER PLATES

For Pricing Visit crlaurence.com or Call Us Toll Free at the Phone Numbers Shown on the Back Cover

Single Toggle

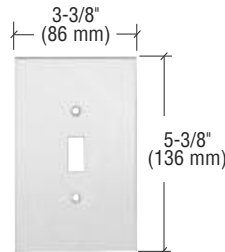
GLASS

CAT. NO.	COLOR
GMP3C	Clear
GMP3B	Bronze
GMP3G	Gray



ACRYLIC

CAT. NO.	COLOR
PMP101	Clear
PMP101BRZ	Bronze



BRASS METAL

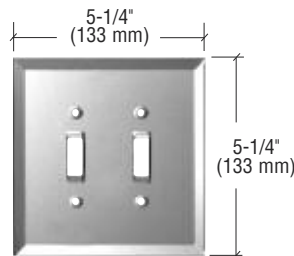
CAT. NO.	FINISH
MMP3BN	Brushed Nickel
MMP3BR	Brass
MMP3CH	Chrome



Double Toggle

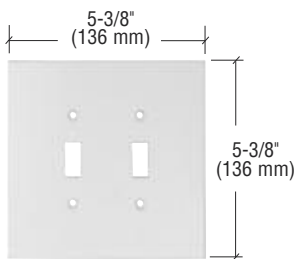
GLASS

CAT. NO.	COLOR
GMP8C	Clear
GMP8B	Bronze
GMP8G	Gray



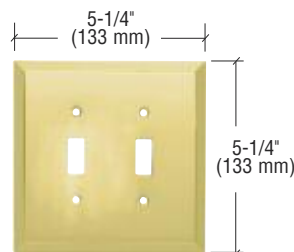
ACRYLIC

CAT. NO.	COLOR
PMP201	Clear
PMP201BRZ	Bronze



BRASS METAL

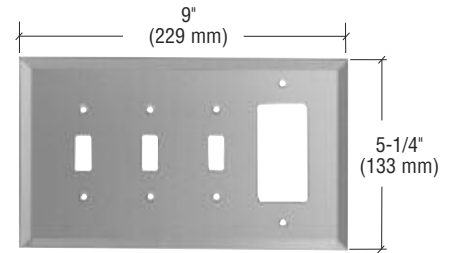
CAT. NO.	FINISH
MMP8BN	Brushed Nickel
MMP8BR	Brass
MMP8CH	Chrome



3X Toggle Decora Combo

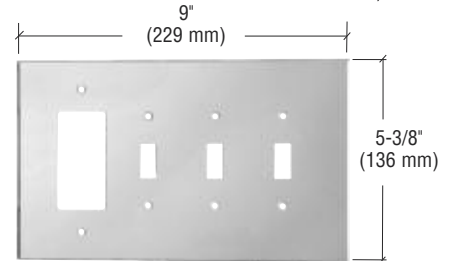
GLASS

CAT. NO.	COLOR
GMP19C	Clear
GMP19B	Bronze
GMP19G	Gray



ACRYLIC

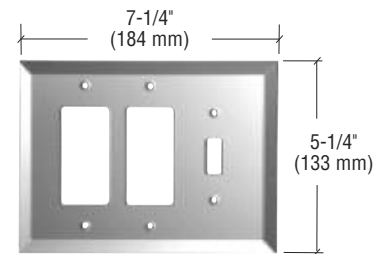
CAT. NO.	COLOR
PMP419	Clear



Toggle 2X Decora Combo

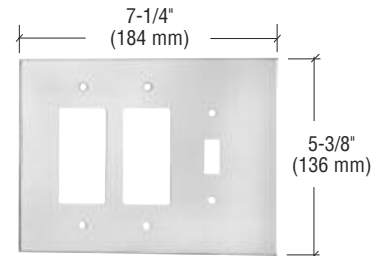
GLASS

CAT. NO.	COLOR
GMP305C	Clear
GMP305B	Bronze
GMP305G	Gray



ACRYLIC

CAT. NO.	COLOR
PMP305	Clear



CRL Mirror Cleaner and Polish

- Makes Mirrors and Glass Sparkle
- Strong Foaming Action
- Ammonia-Free Formula



CRL Mirror Cleaner and Polish is formulated especially for cleaning mirrors. It has a strong working foaming action that leaves mirrors sparkling clean, with no streaking or smearing. Also good for cleaning chrome, tile, porcelain, Formica, appliance surfaces, and stainless steel. Cans are attractively labeled for retail sale. For the complete line of Glass Cleaners, refer to pages 516J and 518J.



CAT. NO.	CONTENTS	CANS/CASE
1982	15 Oz. (425 g)	12

Minimum order: 1 case.

NOTE: All Decora Hole Spacing is 3-13/16" (97 mm) center-to-center. All Switch Hole Spacing is 2-3/8" (60 mm) center-to-center. Minimum order: 1 each. All Cover Plates can be combined for quantity pricing.

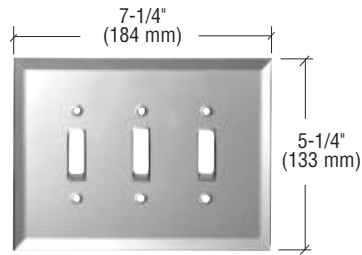
CRL SWITCH AND OUTLET COVER PLATES

For Pricing Visit crlaurence.com or Call Us Toll Free at the Phone Numbers Shown on the Back Cover

Triple Toggle

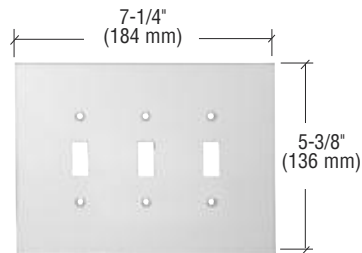
GLASS

CAT. NO.	COLOR
GMP9C	Clear
GMP9B	Bronze
GMP9G	Gray



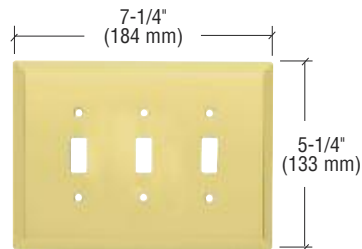
ACRYLIC

CAT. NO.	COLOR
PMP301	Clear
PMP301BRZ	Bronze



BRASS METAL

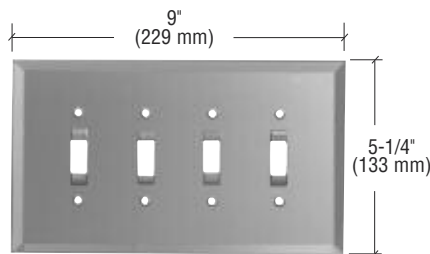
CAT. NO.	FINISH
MMP9BN	Brushed Nickel
MMP9BR	Brass
MMP9CH	Chrome



Quad Toggle

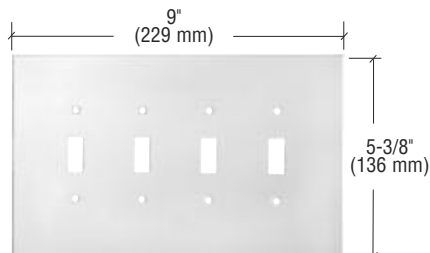
GLASS

CAT. NO.	COLOR
GMP11C	Clear
GMP11B	Bronze
GMP11G	Gray



ACRYLIC

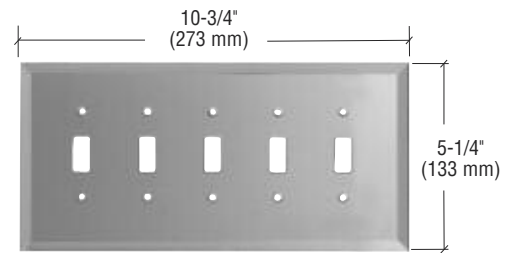
CAT. NO.	COLOR
PMP401	Clear
PMP401BRZ	Bronze



Five-Gang Toggle

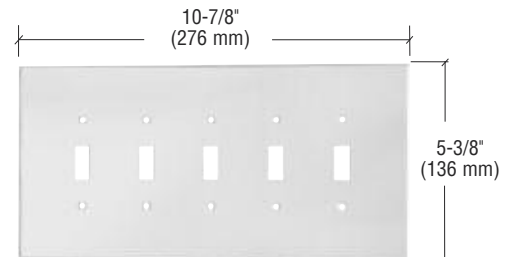
GLASS

CAT. NO.	COLOR
GMP501C	Clear
GMP501B	Bronze
GMP501G	Gray



ACRYLIC

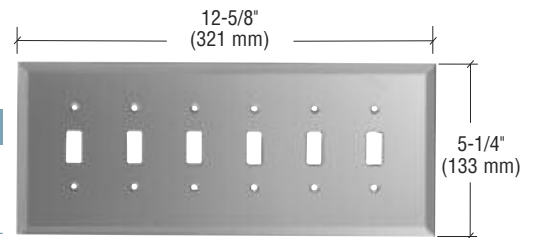
CAT. NO.	COLOR
PMP501	Clear



Six-Gang Toggle

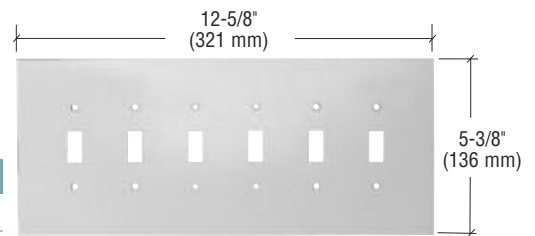
GLASS

CAT. NO.	COLOR
GMP601C	Clear
GMP601B	Bronze
GMP601G	Gray



ACRYLIC

CAT. NO.	COLOR
PMP601	Clear



- Use CRL Plastic Cleaner and Polish or CRL Aerosol Plastic Cleaner for Proper Maintenance of Acrylic Cover Plates and Grilles

See page 522J.



CAT. NO. CRL10



CAT. NO. CRL848

NOTE: All Toggle Switch Hole Spacing is 2-3/8" (60 mm) center-to-center. Minimum order: 1 each. All Cover Plates can be combined for quantity pricing.



C.R. LAURENCE COMPANY

crlaurence.com | usalum.com

420J | crlaurence.ca crlaurence.com.au crlaurence.co.uk crlaurence.de crlaurence.eu

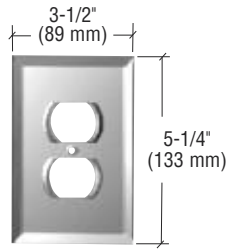
CRL SWITCH AND OUTLET COVER PLATES

For Pricing Visit crlaurence.com or Call Us Toll Free at the Phone Numbers Shown on the Back Cover

Duplex Plug

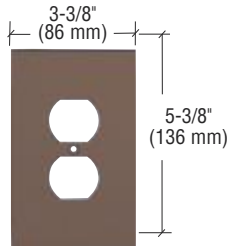
GLASS

CAT. NO.	COLOR
GMP2C	Clear
GMP2B	Bronze
GMP2G	Gray



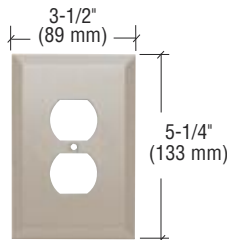
ACRYLIC

CAT. NO.	COLOR
PMP103	Clear
PMP103BRZ	Bronze



BRASS METAL

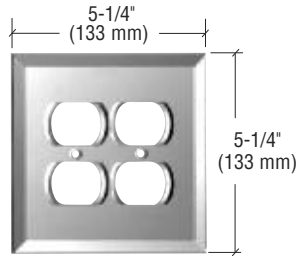
CAT. NO.	FINISH
MMP2BN	Brushed Nickel
MMP2BR	Brass
MMP2CH	Chrome



Double Duplex Plug

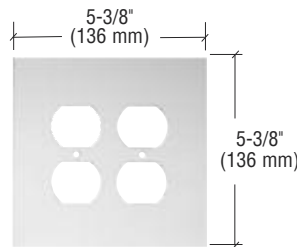
GLASS

CAT. NO.	COLOR
GMP6C	Clear
GMP6B	Bronze
GMP6G	Gray



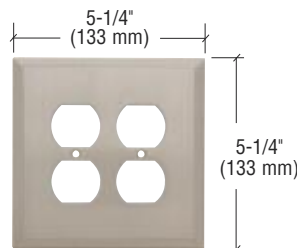
ACRYLIC

CAT. NO.	COLOR
PMP203	Clear
PMP203BRZ	Bronze



BRASS METAL

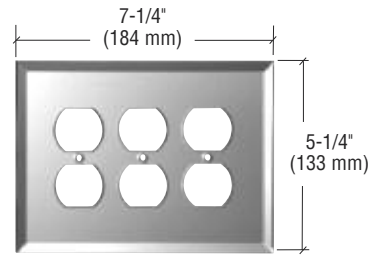
CAT. NO.	FINISH
MMP6BN	Brushed Nickel
MMP6BR	Brass
MMP6CH	Chrome



Triple Duplex Plug

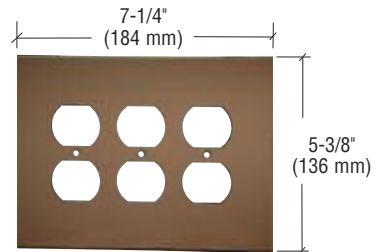
GLASS

CAT. NO.	COLOR
GMP303C	Clear
GMP303B	Bronze
GMP303G	Gray



ACRYLIC

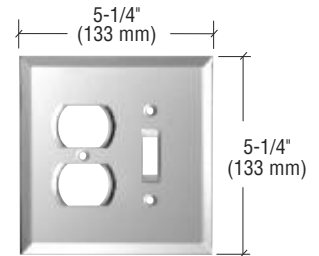
CAT. NO.	COLOR
PMP303	Clear
PMP303BRZ	Bronze



Duplex Toggle Combo

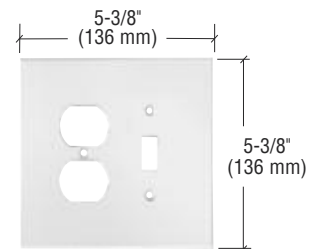
GLASS

CAT. NO.	COLOR
GMP7C	Clear
GMP7B	Bronze
GMP7G	Gray



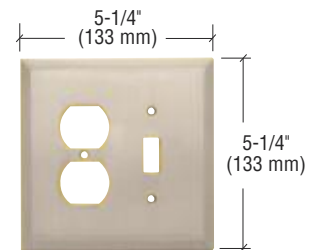
ACRYLIC

CAT. NO.	COLOR
PMP204	Clear
PMP204BRZ	Bronze



BRASS METAL

CAT. NO.	FINISH
MMP7BN	Brushed Nickel
MMP7CH	Chrome



CRL Cover Plate Screws

- Fit All Glass and Acrylic CRL Cover Plates
- Minimum Order: 10 Each



CAT. NO. 632X120HS

NOTE: All Switch Hole Spacing is 2-3/8" (60 mm) center-to-center. Minimum order: 1 each. All Cover Plates can be combined for quantity pricing.

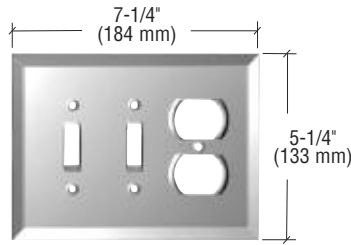
CRL SWITCH AND OUTLET COVER PLATES

For Pricing Visit crlaurence.com or Call Us Toll Free at the Phone Numbers Shown on the Back Cover

2X Toggle Duplex Combo

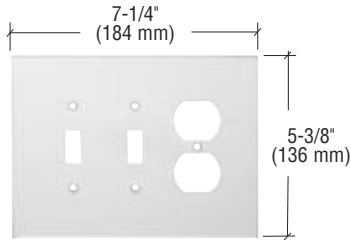
GLASS

CAT. NO.	COLOR
GMP10C	Clear
GMP10B	Bronze
GMP10G	Gray



ACRYLIC

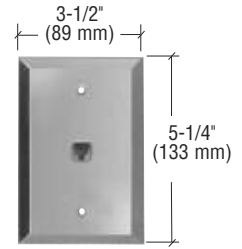
CAT. NO.	COLOR
PMP304	Clear
PMP304BRZ	Bronze



Modular Phone (Jack Included)

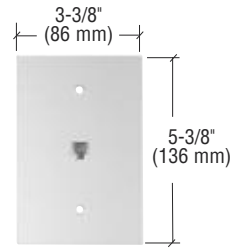
GLASS

CAT. NO.	COLOR
GMP115C	Clear
GMP115B	Bronze
GMP115G	Gray



ACRYLIC

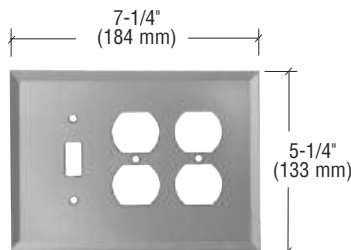
CAT. NO.	COLOR
PMP115	Clear
PMP115BRZ	Bronze



Toggle 2X Duplex Combo

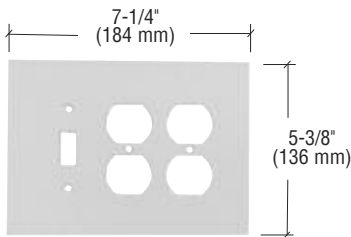
GLASS

CAT. NO.	COLOR
GMP310C	Clear
GMP310B	Bronze
GMP310G	Gray



ACRYLIC

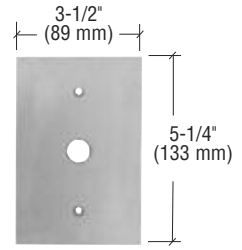
CAT. NO.	COLOR
PMP310	Clear



Small Telephone 5/8" Hole

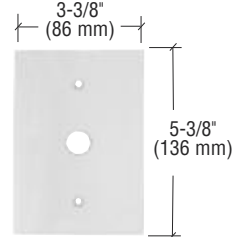
GLASS

CAT. NO.	COLOR
GMP113C	Clear
GMP113B	Bronze
GMP113G	Gray



ACRYLIC

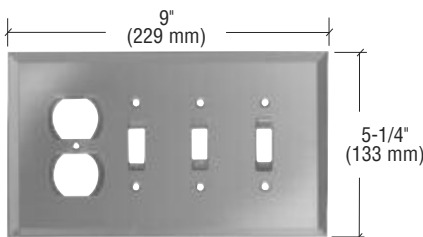
CAT. NO.	COLOR
PMP113	Clear
PMP113BRZ	Bronze



Duplex 3X Toggle Combo

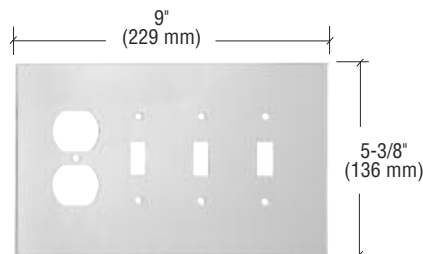
GLASS

CAT. NO.	COLOR
GMP20C	Clear
GMP20B	Bronze
GMP20G	Gray



ACRYLIC

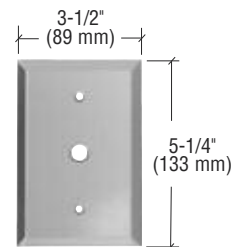
CAT. NO.	COLOR
PMP420	Clear



Cable TV 3/8" Hole

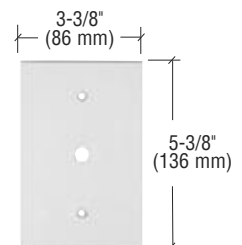
GLASS

CAT. NO.	COLOR
GMP4C	Clear
GMP4B	Bronze
GMP4G	Gray



ACRYLIC

CAT. NO.	COLOR
PMP110	Clear
PMP110BRZ	Bronze



NOTE: All Box Hole Spacing is 3-1/4" (83 mm) center-to-center. All Toggle Switch Hole Spacing is 2-3/8" (60 mm) center-to-center. Minimum order: 1 each. All Cover Plates can be combined for quantity pricing.



C.R. LAURENCE COMPANY

crlaurence.com | usalum.com

422J | crlaurence.ca crlaurence.com.au crlaurence.co.uk crlaurence.de crlaurence.eu

CRL SWITCH AND OUTLET COVER PLATES

For Pricing Visit crlaurence.com or Call Us Toll Free at the Phone Numbers Shown on the Back Cover

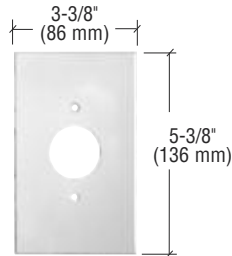
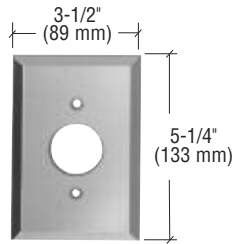
Single Plug 1-3/8" Hole

GLASS

CAT. NO.	COLOR
GMP1C	Clear
GMP1B	Bronze
GMP1G	Gray

ACRYLIC

CAT. NO.	COLOR
PMP114	Clear
PMP114BRZ	Bronze



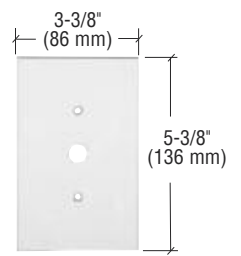
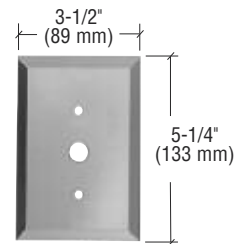
Dimmer Switch 1/2" Hole

GLASS

CAT. NO.	COLOR
GMP104C	Clear
GMP104B	Bronze
GMP104G	Gray

ACRYLIC

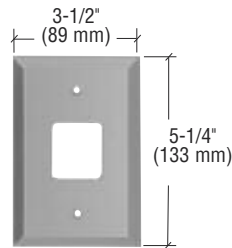
CAT. NO.	COLOR
PMP104	Clear



1-1/4" Square Telephone

GLASS

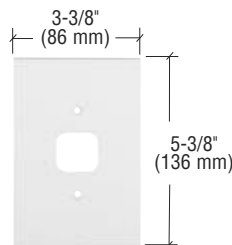
CAT. NO.	COLOR
GMP112C	Clear
GMP112B	Bronze
GMP112G	Gray



1" Square Telephone

ACRYLIC

CAT. NO.	COLOR
PMP112	Clear
PMP112BRZ	Bronze



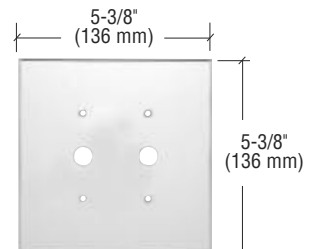
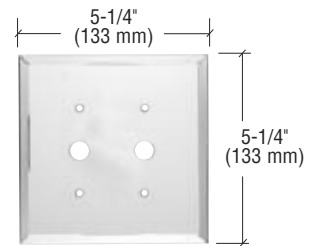
Double Dimmer Switch 1/2" Holes

GLASS

CAT. NO.	COLOR
GMP207C	Clear
GMP207B	Bronze
GMP207G	Gray

ACRYLIC

CAT. NO.	COLOR
PMP207	Clear
PMP207BRZ	Bronze



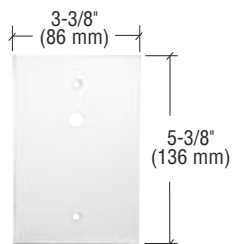
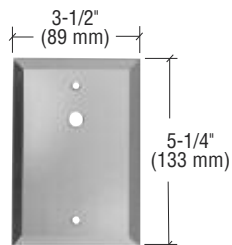
Offset Cable TV 3/8" Hole

GLASS

CAT. NO.	COLOR
GMP111C	Clear
GMP111B	Bronze
GMP111G	Gray

ACRYLIC

CAT. NO.	COLOR
PMP111	Clear
PMP111BRZ	Bronze



CRL Clear Acrylic Mirror Dimmer Knob

- Made From Clear Acrylic Mirror With Beveled Edges
- Inserts Included Which Fit Most Dimmer Switches

CRL Clear Acrylic Mirror Dimmer Knobs for dimmer switches are the perfect compliment to acrylic dimmer style cover plates. Inserts are included to simplify attachment to dimmer.



CAT. NO.	COLOR	DIAMETER	HEIGHT	QTY/PKG
DKR112	Clear	1-1/2" (38 mm)	5/8" (16 mm)	12

Minimum order: 1 each.

NOTE: Single Plug Spacing is 2-1/2" (63 mm) center-to-center. All Box Hole Spacing is 3-13/16" (97 mm) center-to-center. All Toggle Switch Hole Spacing is 2-3/8" (60 mm) center-to-center. Minimum order: 1 each. All Cover Plates can be combined for quantity pricing.

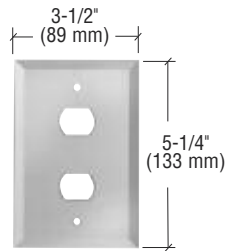
CRL SWITCH AND OUTLET COVER PLATES

For Pricing Visit crlaurence.com or Call Us Toll Free at the Phone Numbers Shown on the Back Cover

2X Despard

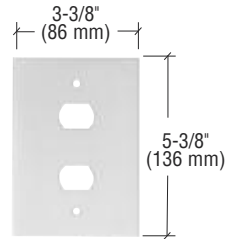
GLASS

CAT. NO.	COLOR
GMP107C	Clear
GMP107B	Bronze
GMP107G	Gray



ACRYLIC

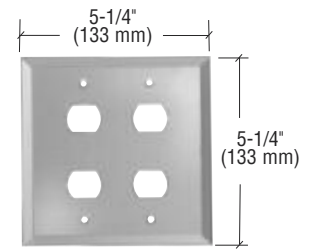
CAT. NO.	COLOR
PMP107	Clear



4X Despard

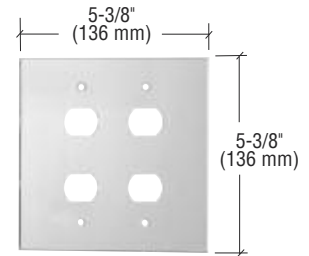
GLASS

CAT. NO.	COLOR
GMP209C	Clear
GMP209B	Bronze
GMP209G	Gray



ACRYLIC

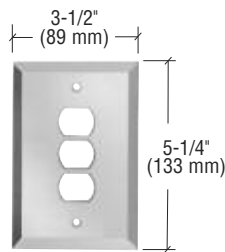
CAT. NO.	COLOR
PMP209	Clear



3X Despard

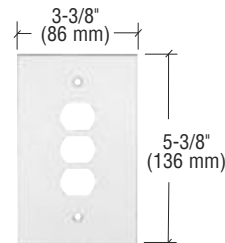
GLASS

CAT. NO.	COLOR
GMP108C	Clear
GMP108B	Bronze
GMP108G	Gray



ACRYLIC

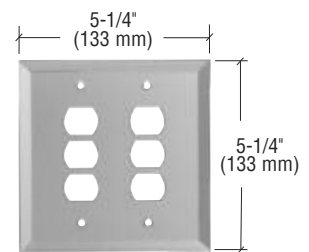
CAT. NO.	COLOR
PMP108	Clear



6X Despard

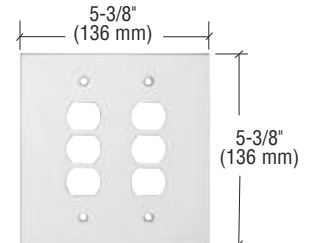
GLASS

CAT. NO.	COLOR
GMP210C	Clear
GMP210B	Bronze
GMP210G	Gray



ACRYLIC

CAT. NO.	COLOR
PMP210	Clear



NOTE: All Despard Hole Spacing is 3-13/16" (97 mm) center-to-center. Minimum order: 1 each. All Cover Plates can be combined for quantity pricing.

CRL Switch and Outlet Shims

• Prevents Cover Plates From Bending or Breaking During Installation

CRL Switch and Outlet Shims are quick and easy to install. Brings switch and outlet units to the surface of a mirrored wall. This makes the plates fit flush to the surface, helping to prevent these plates from cracking during installation. This economical investment prior to your installation can save both time and materials plus give your job that professional touch.

CAT. NO.	CONTENTS
PGP48	Package with 2 Springs and 2 Screws
PGP48BP	Container of 100 Springs and 100 Screws

Minimum order: 1 pack or container



CAT. NO. PGP48

CAT. NO. PGP48BP



C.R. LAURENCE COMPANY

crlaurence.com | usalum.com

ALUMINUM

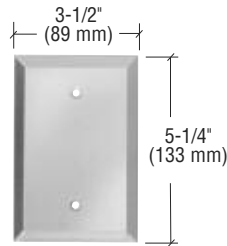
424J

crlaurence.ca crlaurence.com.au crlaurence.co.uk crlaurence.de crlaurence.eu

Blank With Screw Holes

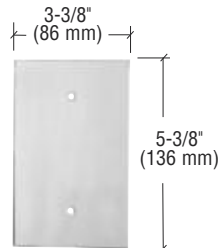
GLASS

CAT. NO.	COLOR
GMP5C	Clear
GMP5B	Bronze
GMP5G	Gray



ACRYLIC

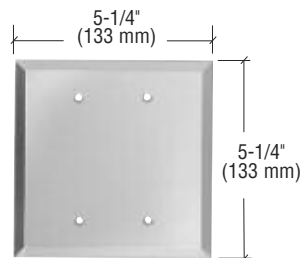
CAT. NO.	COLOR
PMP105	Clear
PMP105BRZ	Bronze



Double Blank With Screw Holes

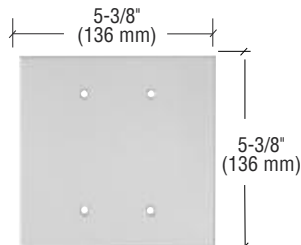
GLASS

CAT. NO.	COLOR
GMP208C	Clear
GMP208B	Bronze
GMP208G	Gray



ACRYLIC

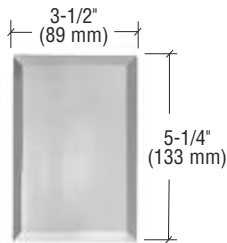
CAT. NO.	COLOR
PMP208	Clear
PMP208BRZ	Bronze



Single Blank Without Screw Holes

GLASS

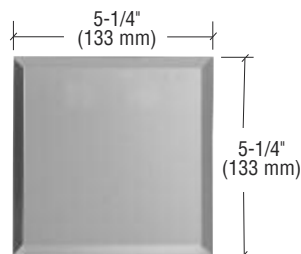
CAT. NO.	COLOR
BMP1GC	Clear
BMP1GB	Bronze
BMP1GG	Gray



Double Blank Without Screw Holes

GLASS

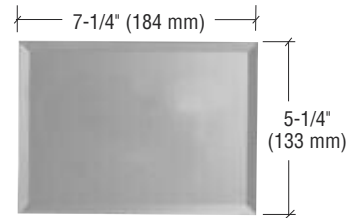
CAT. NO.	COLOR
BMP2GC	Clear
BMP2GB	Bronze
BMP2GG	Gray



Triple Blank Without Screw Holes

GLASS

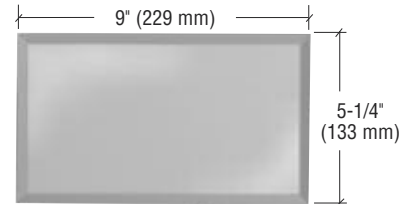
CAT. NO.	COLOR
BMP3GC	Clear
BMP3GB	Bronze
BMP3GG	Gray



Quad Blank Without Screw Holes

GLASS

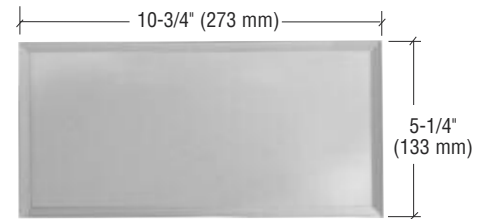
CAT. NO.	COLOR
BMP4GC	Clear
BMP4GB	Bronze
BMP4GG	Gray



Five-Gang Blank Without Screw Holes

GLASS

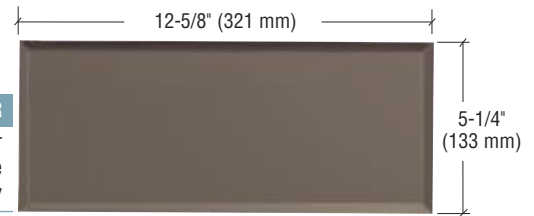
CAT. NO.	COLOR
BMP5GC	Clear
BMP5GB	Bronze
BMP5GG	Gray



Six-Gang Blank Without Screw Holes

GLASS

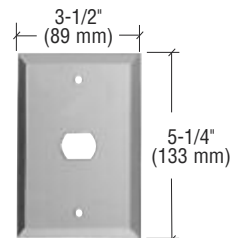
CAT. NO.	COLOR
BMP6GC	Clear
BMP6GB	Bronze
BMP6GG	Gray



Single Despard

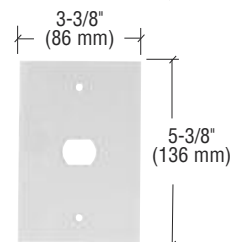
GLASS

CAT. NO.	COLOR
GMP106C	Clear
GMP106B	Bronze
GMP106G	Gray



ACRYLIC

CAT. NO.	COLOR
PMP106	Clear

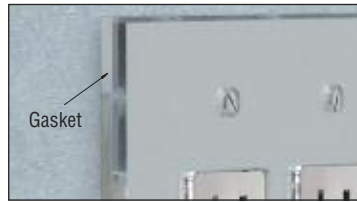


NOTE: All Blank Hole Spacing is 3-1/4" (83 mm) center-to-center. All Despard Hole Spacing is 3-13/16" (97 mm) center-to-center. Minimum order: 1 each. All Cover Plates can be combined for quantity pricing.

CRL SWITCH AND OUTLET COVER PLATES

For Pricing Visit crlaurence.com or Call Us Toll Free at the Phone Numbers Shown on the Back Cover

CRL Acrylic Perimeter Gaskets



- Fit Behind Cover Plates and Allow Extra Depth to Hide Protruding Outlets



CRL Acrylic Perimeter Gaskets fit behind cover plates and allow extra depth to hide protruding outlets. Simply peel off the protective liner, place Perimeter Gasket around opening in mirror, and then fasten the cover plate in the normal manner. If necessary you can hold the Perimeter Gasket in place with 1/32" (.8 mm) thick Foam Mounting Tape (see page 479J).

CAT. NO.	FOR USE WITH	DIMENSIONS WIDTH X HEIGHT
APG1	Single Cover Plates	3-3/8" x 5-3/8" (86 x 136 mm)
APG2	Double Cover Plates	5-3/8" x 5-3/8" (136 x 136 mm)
APG3	Triple Cover Plates	7-1/4" x 5-3/8" (184 x 136 mm)

Minimum order: 1 each. Sizes can be combined for quantity pricing.

CRL Mirror Hide-A-Plug

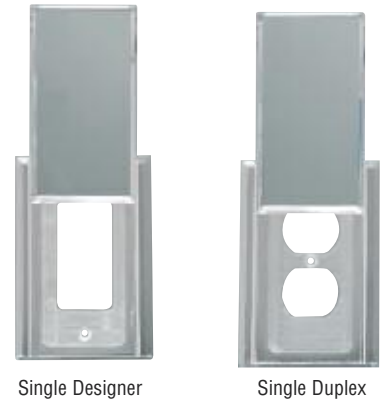
- Hide Unsightly Outlet Receptacles
- Perfectly Finish Off Mirror Wall Installations
- Clear Acrylic Mirror

CRL HIDE-A-PLUG

... in mirrored wall. Attach so blank plate can slip upward to reveal plugs. When plug is removed, plate slides down.



Cover up unsightly receptacles in mirror walls to give the total mirror look. Clear acrylic mirror installs with double-faced tape directly to mirror wall. An acrylic adapter plate is included with each Hide-A-Plug for installations on paint or wallpaper surfaces. Hide-A-Plugs leave electrical devices totally functional.



CAT. NO.	STYLE
HP102C	Single Designer
HP103C	Single Duplex

Plates Measure 3-3/8" x 5" (86 x 127 mm)

Minimum order: 1 each. Bronze acrylic mirror and other styles available on special order.

CRL Mylar Outlet Covers

- Peel and Stick Mylar Covers Fit All Outlets
- Standard Receptacles and Rocker Switches



CAT. NO. MC103



CAT. NO. MC102S

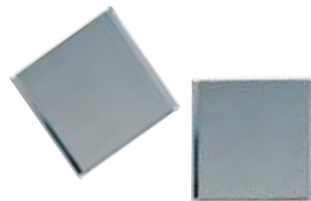
CRL Mylar Outlet Covers give a complete mirrored look to standard outlet receptacles or Designer rocker switches. Just peel off and stick to add that extra finishing touch to every mirror wall job.

CAT. NO.	FITS	PACK CONTENTS
MC103	Standard Receptacle	12 Sets of Two
MC102S	Designer Rocker Switch	12 Covers

Minimum order: 1 pack.

CRL Mirror Rocker Switch Appliqués

- Complete Full Mirror Effect for Rocker Switches
- Available in Clear or Bronze Acrylic Mirror



These attractive beveled Mirror Rocker Switch Appliqués are used with Designer Rocker Switch Plate Covers to make a complete mirror appearance. Sold in packs of five pairs, they are available in clear or bronze color acrylic mirror. Supplied with foam mounting tape for easy application.

CAT. NO.	COLOR	SIZE	PACK CONTENTS
RSC1	Clear	1-1/8" x 15/16" (28.5 x 24 mm)	Five Pairs
RSB2	Bronze	1-1/8" x 15/16" (28.5 x 24 mm)	Five Pairs

Minimum order: 1 pack.



C.R. LAURENCE COMPANY

crlaurence.com | usalum.com

426J | crlaurence.ca crlaurence.com.au crlaurence.co.uk crlaurence.de crlaurence.eu

CRL Custom Cut Glass and Acrylic Cover Plates

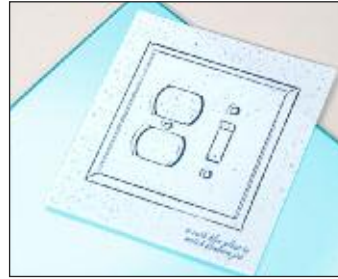
- Available for Both Glass and Acrylic Cover Plates
- Single Through Six-Gang Styles in Clear, Bronze, and Gray
- Can Also Be Cut From Mirror Supplied By You

CRL Glass and Acrylic Cover Plates are available custom cut to your job requirements. Just send us a full scale drawing of the plate you need, along with your written purchase order (mail, FAX or e-mail to CRL in Los Angeles) and we will provide you with a price quote prior to fabrication.

Custom Cut Cover Plates are available in single through six-gang styles in clear, bronze or gray. Other colors are available on special order, and we can even cut plates out of the same colored mirror being used on your job, when you send us the mirror.

Custom Glass Cover Plates are cut with a Water Jet Cutter, and Custom Acrylic Mirror Plates are cut with a Laser Cutter to give you the cleanest and most precise cut-outs possible. Please allow 2 to 4 weeks for shipping after we receive your drawing.

For more information on this CRL service, contact CRL Customer Service at (800) 421-6144 in the U.S., (877) 421-6144 from Canada, or (323) 588-1281 International, and ask for Ext. 5275. You can also e-mail us through our web site at crlaurence.com. From the home page click on Contact Us, and then click on Customer Service.



You Submit the Drawing



We Make the Cover Plate



CRL Mirror Outlet and Switch Hole Nibbler



- Removes Small, Uneven Pieces of Mirror or Glass from Holes or Cut-Outs
- Saves the Task of Removing the Mirror

CRL's Mirror Outlet and Switch Hole Nibbler was designed by a glazier to handle a problem that frequently happens when installing mirror walls. Sometimes when the ceiling line or seams are matched the drilled outlet hole is slightly off. This tempered steel tool will "nibble" the hole with the mirror already in place, saving you the time and expense of removing the mirror. Minimum order is one each.

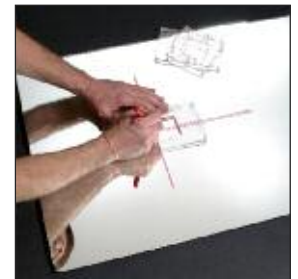
CAT. NO. MN1750

CRL Quik-Draw Mirror Outlet Cut-Out Template Set



- No Slip Feature Increases Your Accuracy
- Layout Time for Cut-Outs is Drastically Reduced
- Made From Durable Clear Acrylic

These clear, high impact acrylic Templates were designed to simplify drilling cut-outs in glass and mirror. The non-skid bumpers adhered on the underside prevent slippage and scratches. The hole in the corner lets you hang the Templates in a convenient location near the cutting table. Select one of the three Templates in the set when drilling for switch, designer, duplex, T.V. cable, telephone cable, thermostat, and more. Minimum order is one set.



CAT. NO. QD1

CRL SWITCH AND OUTLET COVER PLATES

For Pricing Visit crlaurence.com or Call Us Toll Free at the Phone Numbers Shown on the Back Cover

CRL Cover Plates in Bulk Packs

- **Factory Packed Cartons of Our Most Popular Styles**
- **12 Styles Available in 3/16" (5 mm) Plate Glass Clear Mirror**
- **Five Styles Available in 1/8" (3 mm) Mirror-Backed Clear Acrylic**
- **Additional Styles and Colors Available on Special Order**

These CRL Glass and Acrylic Cover Plates are individually packed and shipped to you in money-saving Bulk Packs. They have the same highly polished beveled edges and other features of our regular Cover Plates, and are ideal if you use lots of a particular style of plate, or need to have a ready supply of spares for your counter-top display. Bulk Packs are a good way to cut your costs and, at the same time, maintain your cover plate inventory.



Glass



Acrylic



Glass Cover Plates come on attractive blister cards that are perfect for retail display.

Bulk Single Designer

- **Clear Color Glass or Acrylic Mirror**

For plate dimensions see page 417J

CAT. NO.	TYPE	PACK QTY
B12C	Glass	100
PMP10250B	Acrylic	50

Minimum order is pack quantity.



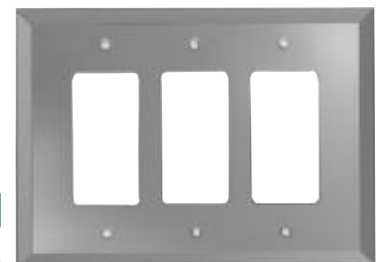
Bulk Triple Designer

- **Clear Color Glass Mirror Only**

For plate dimensions see page 417J

CAT. NO.	TYPE	PACK QTY
B16C	Glass	50

Minimum order is pack quantity.



Bulk Double Designer

- **Clear Color Glass or Acrylic Mirror**

For plate dimensions see page 417J

CAT. NO.	TYPE	PACK QTY
B13C	Glass	60
PMP20250B	Acrylic	50

Minimum order is pack quantity.



Bulk Designer Toggle Combo

- **Clear Color Glass Mirror Only**

For plate dimensions see page 418J

CAT. NO.	TYPE	PACK QTY
B14C	Glass	60

Minimum order is pack quantity.



C.R. LAURENCE COMPANY

crlaurence.com | usalum.com

428J | crlaurence.ca crlaurence.com.au crlaurence.co.uk crlaurence.de crlaurence.eu

CRL SWITCH AND OUTLET COVER PLATES

For Pricing Visit crlaurence.com or Call Us Toll Free at the Phone Numbers Shown on the Back Cover

Bulk Decora Duplex Combo

- Clear Color Glass Mirror Only



For plate dimensions see page 418J

CAT. NO.	TYPE	PACK QTY
B18C	Glass	60

Minimum order is pack quantity.

Bulk Single Duplex

- Clear Color Glass or Acrylic Mirror



For plate dimensions see page 421J

CAT. NO.	TYPE	PACK QTY
B2C	Glass	100
PMP10350B	Acrylic	50

Minimum order is pack quantity.

Bulk Single Toggle

- Clear Color Glass or Acrylic Mirror



For plate dimensions see page 419J

CAT. NO.	TYPE	PACK QTY
B3C	Glass	100
PMP10150B	Acrylic	50

Minimum order is pack quantity.

Bulk Double Duplex

- Clear Color Glass Mirror Only



For plate dimensions see page 421J

CAT. NO.	TYPE	PACK QTY
B6C	Glass	60

Minimum order is pack quantity.

Bulk Double Toggle

- Clear Color Glass or Acrylic Mirror



For plate dimensions see page 419J

CAT. NO.	TYPE	PACK QTY
B8C	Glass	60
PMP20150B	Acrylic	50

Minimum order is pack quantity.

Bulk Duplex Toggle Combo

- Clear Color Glass Mirror Only



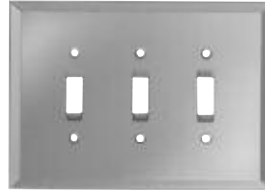
For plate dimensions see page 421J

CAT. NO.	TYPE	PACK QTY
B7C	Glass	60

Minimum order is pack quantity.

Bulk Triple Toggle

- Clear Color Glass Mirror Only



For plate dimensions see page 420J

CAT. NO.	TYPE	PACK QTY
B9C	Glass	50

Minimum order is pack quantity.

Bulk Cable TV 3/8" Hole

- Clear Color Glass Mirror Only



For plate dimensions see page 422J

CAT. NO.	TYPE	PACK QTY
B4C	Glass	100

Minimum order is pack quantity.

CRL Glass Mirror Cover Plate Display

- This Attractive Cover Plate Display is Designed to Increase Your Profits
- Comes With 43 Individually Carded Glass Mirror Cover Plates

CRL's Glass Mirror Cover Plate Display merchandises 43 individually carded plates. The chrome stand displays many of CRL's most popular Cover Plate styles, as well as two cans (included) of CRL 1973 Glass Cleaner. Minimum order is one each.

• Comes With All of This:

- 6 Each GMP2C
- 6 Each GMP3C
- 3 Each GMP4C
- 3 Each GMP6C
- 3 Each GMP7C
- 3 Each GMP8C
- 2 Each GMP9C
- 6 Each GMP12C
- 3 Each GMP13C
- 3 Each GMP14C
- 2 Each GMP16C
- 3 Each GMP18C



CAT. NO. GMP95D

CRL Counter Top Cover Plate Display Stand

- Attractively Designed Counter Top Display for Blister Packed Cover Plates



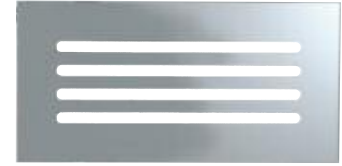
The CRL Counter Top Display Stand is an economical alternative to CRL's larger Mirror Cover Plate Display shown at left. This white, vacuum molded stand displays up to 10 blister packed CRL Cover Plates. Minimum order is one each.

CAT. NO. GMP000

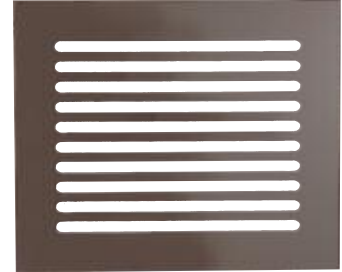
CRL Flat Acrylic Mirror Grilles

- Available in Clear and Bronze Acrylic Mirror
- Attractive, Long Life Acrylic that Enhances Room Décor
- Easily Installed Using Double-Sided Foam Mounting Tape

If you want to replace metal air registers on an air conditioning duct in that mirrored wall, these CRL Flat Acrylic Mirror Grilles are the perfect cover up! They are made of 1/8" (3 mm) mirror-backed, long life acrylic with edges that are beautifully beveled. The slots are 3/8" (9.5 mm) wide to maximize airflow. They are available in clear or bronze acrylic mirror in a variety of widths and sizes from 6" x 6" (152 x 152 mm) to 10" x 18" (254 x 457 mm). Custom sizes can be easily made (see next page). Installation is easy using CRL Foam Mounting Tape (refer to page 479J). **NOTE:** CRL Acrylic Mirror Grilles are intended for use only on air conditioning ducts, and not for hot air registers.



Clear



Bronze

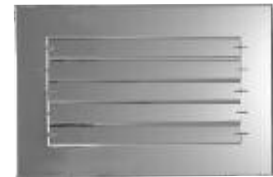
COLOR	HEIGHT	6" WIDE (152 MM)	8" WIDE (203 MM)	10" WIDE (254 MM)	12" WIDE (305 MM)	14" WIDE (355 MM)	16" WIDE (406 MM)	18" WIDE (457 MM)
Clear	6" (152 mm)	FMG660	FMG860	FMG1060	FMG1260	FMG1460	FMG1660	FMG1860
Clear	8" (203 mm)	FMG680	FMG880	FMG1080	FMG1280	FMG1480	FMG1680	FMG1880
Bronze	8" (203 mm)	--	--	FMG1080BRZ	FMG1280BRZ	FMG1480BRZ	FMG1680BRZ	--
Clear	10" (254 mm)	FMG6100	FMG8100	FMG10100	FMG12100	FMG14100	FMG16100	FMG18100

Minimum order: 1 each. All Acrylic Grilles can be combined for quantity pricing.

CRL Adjustable Louver Acrylic Mirror Grilles

- Available in Clear and Bronze Acrylic Mirror
- Adjustable to Direct the Flow of Cool Air
- Easily Installed Using Double-Sided Foam Mounting Tape

Another way to cover the air conditioning duct in mirrored walls is with CRL's Adjustable Louver Acrylic Mirror Grilles. These grilles feature 1/4" (6 mm) mirror-backed, long life acrylic with edges that are beautifully beveled. The adjustable 1" (25 mm) vanes give a finished look while allowing you to direct the flow of cool air. Available in clear or bronze acrylic mirror. Custom sizes can be easily made (see next page). Installation is easy using CRL Foam Mounting Tape (refer to page 479J). **NOTE:** CRL Acrylic Mirror Grilles are intended for use only on air conditioning ducts, and not for hot air registers.



Clear



Bronze

COLOR	HEIGHT	10" WIDE (254 MM)	12" WIDE (305 MM)	14" WIDE (355 MM)	16" WIDE (406 MM)
Clear	8" (203 mm)	AMG1080	AMG1280	AMG1480	AMG1680
Bronze	8" (203 mm)	AMG1080BRZ	AMG1280BRZ	AMG1480BRZ	AMG1680BRZ

Minimum order: 1 each. All Acrylic Grilles can be combined for quantity pricing.

CRL Glass Mirror Grilles

- Mirror Grilles are 3/16" (5 mm) Plate Glass With Polished Beveled Edges
- Install Easily With Double-Sided Foam Mounting Tape

Glass Mirror Grilles replace metal air conditioning registers in mirror walls. Their polished, beveled edges accent the décor of the mirror wall. Cut-outs allow air to pass freely from duct work. Grilles install with your two-sided foam mounting tape, so no drilling is necessary. Glass Mirror Grilles are available in widths to 16" (406 mm). Other sizes and/or colors may be available on request.



Clear

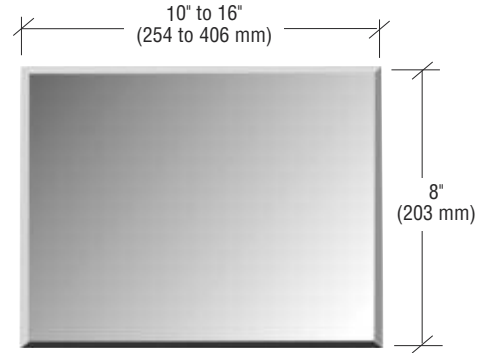
COLOR	HEIGHT	10" WIDE (254 MM)	12" WIDE (305 MM)	14" WIDE (355 MM)	16" WIDE (406 MM)
Clear	8" (203 mm)	GMG810C	GMG812C	GMG814C	GMG816C

Minimum order: 1 each. All Acrylic Grilles can be combined for quantity pricing.

CRL Glass Mirror Grille Blanks

- High Quality 3/16" (5 mm) Plate Glass With Polished Beveled Edges
- Conceals Larger Openings in Mirror Walls
- Available in Four Widths

CRL's Glass Mirror Grille Blanks are designed to conceal larger cut-outs in mirror walls. They can be easily installed using CRL Foam Mounting Tape (refer to page 479J), so drilling holes is not required. Four widths are available from 10" to 16" (254 to 406 mm) with a standard height of 8" (203 mm). Custom sizes and colors are available on special order.



COLOR	HEIGHT	10" WIDE (254 MM)	12" WIDE (305 MM)	14" WIDE (355 MM)	16" WIDE (406 MM)
Clear	8" (203 mm)	BMG810C	BMG812C	BMG814C	BMG816C

Minimum order: 1 each. All Acrylic Grilles can be combined for quantity pricing.

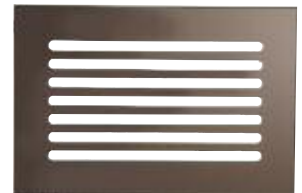
CRL Custom Mirror Grille Ordering Information

- Choose Either Glass or Acrylic Mirror
- Custom Made to Your Specifications
- Available in Clear, Bronze, and Custom Colors

CRL Mirror Grilles are also available custom cut to order. Just send us your full scale drawing of the grille you need, along with your written purchase order and we will provide you with a price quote prior to fabrication. Custom Mirror Grilles are available in glass or acrylic mirror in clear and bronze. Other colors are available. Allow two to four weeks for delivery. For additional information, contact CRL Customer Service Department at (800) 421-6144 in the U.S., (877) 421-6144 from Canada, or (323) 588-1281 International, and ask for Ext. 5275. You can also e-mail us through our web site at crlaurence.com. From the home page click on Contact Us, and then click on Customer Service.



Louver Grilles



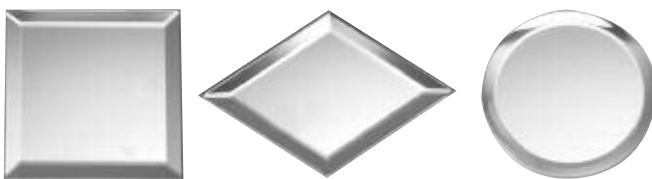
Flat Grilles



For easy installation of Glass and Acrylic Mirror Grilles use CRL Foam Mounting Tape (see page 479J).

CRL Glass Mirror Baguettes

- Elegant Polished Beveled Edges
- Made of Real Glass in Clear Mirror



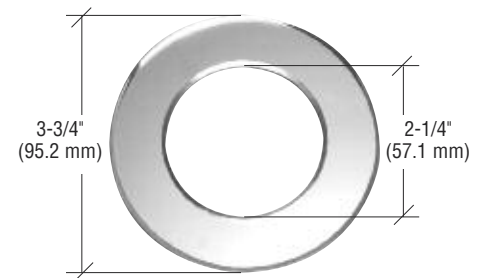
CRL's Glass Mirror Baguettes are fabricated from high quality 1/8" (3 mm) glass, and have beautifully beveled edges. These decorator pieces can be used as accents on mirrored walls, or to cover visible corner joints. Very easy to install.

CAT. NO.	STYLE	SIZE	QTY/PKG
MB22S	Square	2" x 2" (50.8 mm x 50.8 mm)	40
MB23D	Diamond	2" x 3" (50.8 mm x 76.2 mm)	40
MB22R	Round	2" (50.8 mm)	50

Minimum order: 1 pack.

CRL Acrylic Mirror Door Knob Plate

- Designed for Knob Cut-Outs on Mirrored Doors
- Clear Acrylic Mirror



The CRL Acrylic Mirror Door Knob Plate is designed to mask knob cut-outs and puts the finishing touch on any mirrored door. Fabricated from clear mirrored acrylic which includes a beveled edge, this Knob Plate does not have an adhesive backing.

CAT. NO.	COLOR	INSIDE DIAMETER	OUTSIDE DIAMETER
DKPC7	Clear	2-1/4" (57.1 mm)	3-3/4" (95.2 mm)

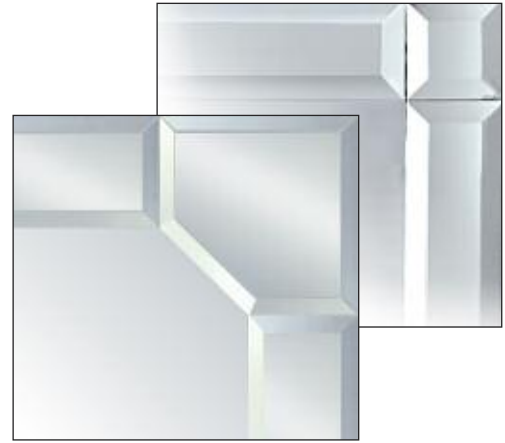
Minimum order: 1 each.

CRL Fully Beveled Mirror Parts

- 2", 3", and 4" Sizes
- 1/2" (12 mm) Bevel On All Sides

Our Fully Beveled Mirror Parts let you make decorative custom mirrors out of ordinary glass mirrors. Each Fully Beveled Mirror Part is made of 1/4" (6 mm) thick clear plate glass mirror, and has a full 1/2" (12 mm) bevel on all sides. There are four different shapes and three sizes, plus Fully Beveled Mirror Strips in lengths up to 56" (1.4 m). Fully Beveled Mirror Parts are individually carded for resale, and include easy-to-follow instructions. We suggest the use of CRL423212 Black Foam Mounting Tape to secure Mirror Parts and Strips to the base mirror. All Beveled Mirror Parts can be combined for quantity pricing. Minimum order is one each.

NOTE: Mirror Parts are shipped F.O.B. all CRL locations. Mirror Strips are available only at CRL Will Call Trade Counter locations. CRL Mirror Parts are hand beveled, and have a dimensional tolerance of $\pm 1/32"$ (.8 mm).



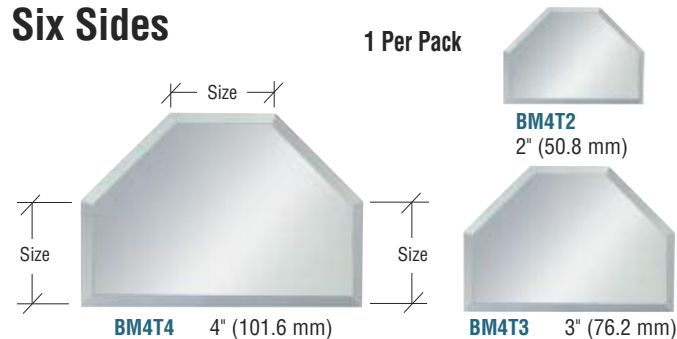
Mirror Squares Beveled On All Four Sides



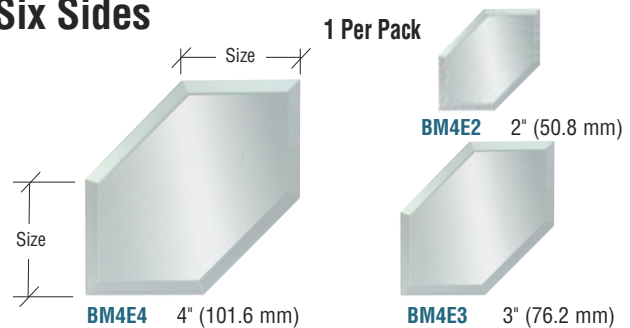
Mitered Mirror Corners Beveled On All Five Sides



Mirror T-Connectors Beveled On All Six Sides



Mirror Emerald Corners Beveled On All Six Sides



Mirror Strips Beveled On All Four Sides

NOTE: Mirror Strips are available only at CRL Will Call Trade Counter locations. Packs of Beveled Mirror Strips can be combined for quantity pricing. Minimum order is one pack.

4 Per Pack



2" (50.8 MM) WIDE STRIPS

CAT. NO.	LENGTH
BM4S2X20	20" (508 mm)
BM4S2X32	32" (813 mm)
BM4S2X38	38" (965 mm)
BM4S2X44	44" (1117 mm)
BM4S2X56	56" (1422 mm)

3" (76.2 MM) WIDE STRIPS

CAT. NO.	LENGTH
BM4S3X18	18" (457 mm)
BM4S3X30	30" (762 mm)
BM4S3X36	36" (914 mm)
BM4S3X42	42" (1066 mm)
BM4S3X54	54" (1371 mm)

4" (101.6 MM) WIDE STRIPS

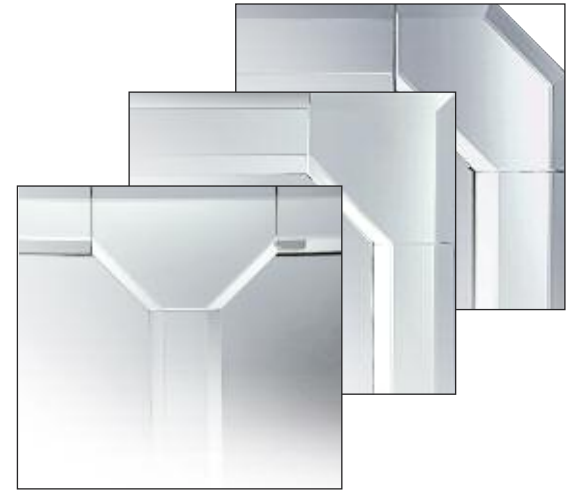
CAT. NO.	LENGTH
BM4S4X16	16" (406 mm)
BM4S4X28	28" (711 mm)
BM4S4X34	34" (863 mm)
BM4S4X40	40" (1016 mm)
BM4S4X52	52" (1321 mm)

CRL Beveled Mirror Parts

- 2", 3", and 4" Sizes
- 1/2" (12 mm) Bevel on Some Sides

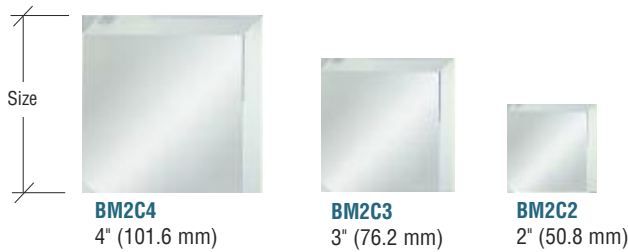
These Beveled Mirror Parts are decorative and easy-to-install accents for ordinary glass mirrors. We make each Mirror Part from 1/4" (6 mm) thick clear plate glass mirror with a 1/2" (12 mm) bevel on some sides. You can match the unbeveled or "cut" edges together with other Mirror Parts or Strips to form a continuous design. There are four different shapes and three sizes, and Beveled Mirror Strips with cut ends in lengths up to 56" (1.4 m). We individually card Beveled Mirror Parts for resale, and include easy-to-follow mounting instructions. We suggest the use of CRL423212 Black Foam Tape to secure Mirror Parts and Strips to the base mirror.

NOTE: Mirror Parts are shipped F.O.B. all CRL locations. Mirror Strips are available only at CRL Will Call Trade Counter locations. CRL Mirror Parts are hand beveled, and have a dimensional tolerance of $\pm 1/32"$ (.8 mm).



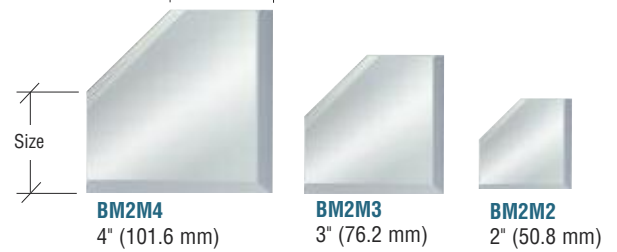
Mirror Squares Beveled On Two Sides

1 Per Pack



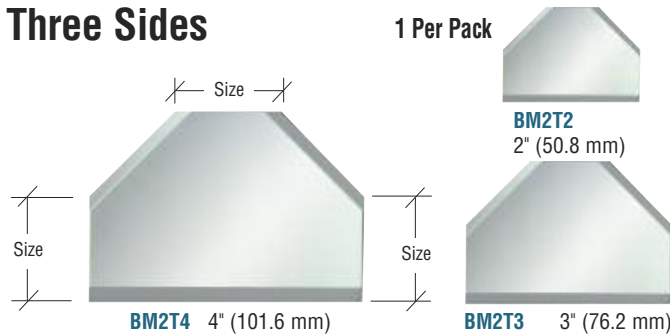
Mitered Mirror Corners Beveled On Three Sides

1 Per Pack



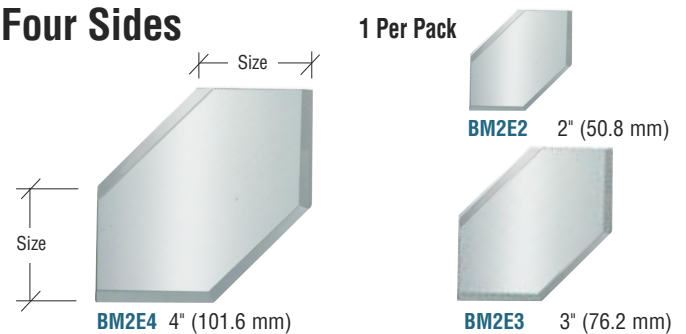
Mirror T-Connectors Beveled On Three Sides

1 Per Pack



Mirror Emerald Corners Beveled On Four Sides

1 Per Pack



Mirror Strips Beveled Only On Two Long Sides

4 Per Pack

NOTE: Mirror Strips are available only at CRL Will Call Trade Counter locations. Packs of Beveled Mirror Strips can be combined for quantity pricing. Minimum order is one pack.



2" (50.8 MM) WIDE STRIPS

CAT. NO.	LENGTH
BM2S2X20	20" (508 mm)
BM2S2X32	32" (813 mm)
BM2S2X38	38" (965 mm)
BM2S2X44	44" (1117 mm)
BM2S2X56	56" (1422 mm)

3" (76.2 MM) WIDE STRIPS

CAT. NO.	LENGTH
BM2S3X18	18" (457 mm)
BM2S3X30	30" (762 mm)
BM2S3X36	36" (914 mm)
BM2S3X42	42" (1066 mm)
BM2S3X54	54" (1371 mm)

4" (101.6 MM) WIDE STRIPS

CAT. NO.	LENGTH
BM2S4X28	28" (711 mm)
BM2S4X34	34" (863 mm)
BM2S4X40	40" (1016 mm)
BM2S4X52	52" (1321 mm)

CRL Standoff and Glass Connection Systems

CRL's Family of Standoff Products Can Be Used Independently or Together to Create Unique Designs

C.R. Laurence has more than Standoffs. We offer a complete family of Standoff related products. From our standard line of Round and Square Standoffs, to Custom Standoffs, Cap Assemblies, Tube Style Standoffs, Edge Grips, Slot Mount Standoffs, Accent Rings, Swivel Fittings, Framepegs, and Mounting Hardware, CRL has everything you will need to create innovative designs in architecture, store fixtures, signage, and furniture.

CRL's Standoff Display System provides architects and designers unlimited resources for retail store, commercial or restaurant applications. Most are available in Chrome, Brass, Brushed Stainless, Satin Chrome, and Gun Metal finishes. Our SC12 Standoff Catalog will provide the information you will require to select the perfect Standoff products for your project.



For a Full Selection of CRL Standoff Systems and Accessories see our SC12 Catalog or visit crlaurence.com.



Round Standoff Bases



Slot Mount Standoffs



Tube Style Standoffs



Standard Cap Assemblies



Square Standoff Bases

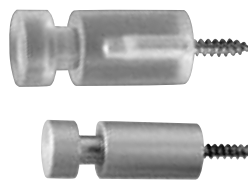


new

Adjustable Standoff Caps



Edge Grips



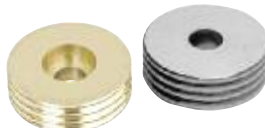
Framepegs



Standoff Tube Adaptors



Low Profile Cap Assemblies



Accent Rings



Flush Mount Cap Assemblies



Swivel Fittings

CRL Custom Manufactured Standoff Service

- Machined to Your Specifications in Lengths Up to 48" (1219 mm)
- Choose From a Variety of Bar Stock Dimensions
- Available in These Finishes: Polished Stainless, Brushed Stainless, Polished Brass, Satin Brass, Sandblasted Stainless Steel, and Powder Paint
- Custom Finishes Are Also Available
- Timely Delivery

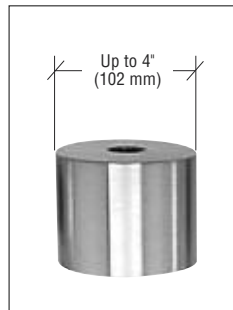


CRL Custom Standoff Fittings may require machining, welding, bending, and special finishing. This can all be accomplished with our in-house equipment for the fastest delivery time in the industry. Not only will we bring your design to reality, but our Technical Sales staff is here to assist you with alternate designs or suggestions. We work every day with our customers to fulfill their glass attachment needs. Fax or e-mail your Custom Standoff requirements to CRL Technical Sales and we will quickly respond with a quote.

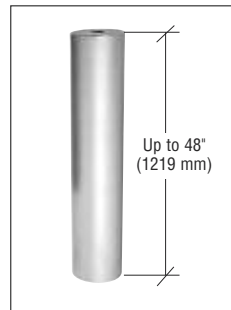
NOTE: If diameter or square is equal to, or less than 3" (76 mm), the maximum length is 48" (1219 mm). If diameter or square is between 3" and 4" (76 to 102 mm), the maximum length is 8" (203 mm).



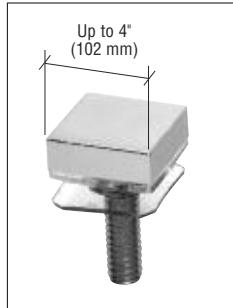
Custom Cap Diameters



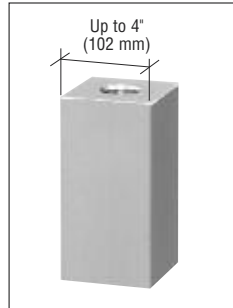
Custom Base Diameters



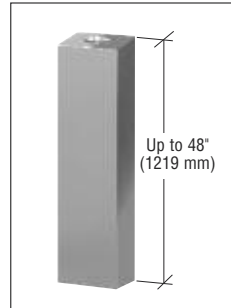
Custom Base Heights



Custom Square Caps

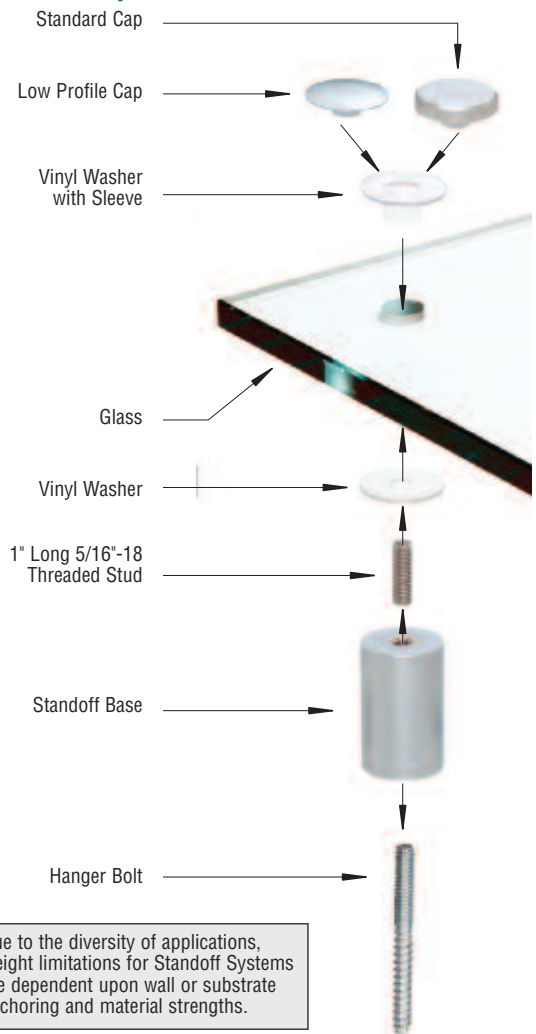


Custom Square Base Widths



Custom Square Base Heights

• Typical Installation for Standoff Base and Cap



Due to the diversity of applications, weight limitations for Standoff Systems are dependent upon wall or substrate anchoring and material strengths.

Which CRL Standoff System Should I Use?

CRL provides the most diverse selection of Standoff products available anywhere. Our 1/2" (12.7 mm) diameter Standoffs are a favorite for lighter weight glass displays or signage. 3/4" (19 mm) diameter Standoffs are the perfect design element for industrial projects such as exhibit building or retail display projects. CRL's 1-1/4" to 2" (31.7 to 50.8 mm) diameter Standoffs are designed to provide solutions for a vast variety of projects. Used to support heavier thicknesses of glass, the applications for this product are only limited by your imagination.

CRL Decorative Posters

- Show Your Customers Beautiful Showers and Tubs Created With CRL Frameless Shower Hardware and a Little Imagination
- Large 24" (610 mm) Wide x 36" (914 mm) High Studio Quality Posters Can Be Displayed Anywhere in Their Protective Clear Sleeves
- Visit crlaurence.com to See All Decorative Posters Available – New Posters Added Regularly



We use them in our showrooms

CRL's Decorative Posters will make a quick and dramatic change to your showroom. They feature studio quality images of finished showers in beautiful bathing environments. Display them in your showroom to inspire creativity by your customers and designers for future projects. Each Poster comes in a protective, easy-to-hang clear plastic sleeve, and measures approximately 24" (610 mm) wide x 36" (914 mm) high.

To view larger images and new additions of our Decorative Posters, please visit crlaurence.com. Posters using your own images can also be created on special order. Contact CRL Technical Sales for information. Minimum order is one each.



CAT. NO. FP18
Shower Door Hardware



CAT. NO. FP19
Shower Door Hardware



CAT. NO. FP20
Shower Door Hardware



CAT. NO. FP60
Shower Enclosures



CAT. NO. FP61
Shower Enclosures



CAT. NO. FP62
Shower Enclosures



CAT. NO. FP63
Shower Enclosures



CAT. NO. FP64
Shower Enclosures



CAT. NO. FP65
Right Angle Shower Doors



CAT. NO. FP67
Inline Shower Doors



CAT. NO. FP68
Inline Shower Doors



CAT. NO. FP69
Custom Angle Shower Doors



CAT. NO. FP70
Inline Shower Doors



CAT. NO. FP71
Inline Shower Doors



CAT. NO. FP72
Inline Shower Doors



CAT. NO. FP74
Inline Shower Doors



4

Mirror Mounting Hardware, Tools, and Shop Supplies

- MIRROR CHANNELS AND MOLDINGS
- MOUNTING CLIPS, HANGERS, AND TAPES
- SILICONES AND ADHESIVES
- MIRROR MASTICS
- UV GLASS ADHESIVES AND TOOLS
- GLASS CLEANERS, POLISHES, AND WIPES
- GLAZIER'S TOOLS
- GENERAL TOOLS

See other side for Section Index.

SECTION 4 INDEX

For a complete index to this catalog, turn to Section 5. To search for all CRL products, go to CRL Total Search at crlaurence.com.

A

Abrasive Belts and Discs	540J-542J, 544J, 547J-548J
Acetox Cure Silicones	483J-484J, 486J
Acrylic Latex Sealants	487J
Adhesive Cleaner	517J
Adhesive Tapes	480J
All Terrain Glass Dolly	561J
Aluminum	
Corner Extrusions	444J-445J
Divider Bar	444J
J-Channel	440J-443J
L-Bar	447J-449J
Mirror Extrusions	440J-450J
Angle Extrusions and Moldings	448J-449J

B

Backing Tape for Mirrors	478J
Belt Sanders	540J-542J, 544J-548J
Bench Model Belt Sander	548J
Bio-Clean Water Stain Remover	519J

C

Caulking for Tubs and Tile	488J
Caulking Guns and Nozzles	489J-490J
Cerium Oxide	553J, 555J
Cleaners	516J-525J
Clear Plastic Mirror Clips	460J-461J
Clear Silicones	483J-486J
Concentrate Glass Cleaner	518J
Construction Adhesive	477J
Construction Master Calculator	560J
Coolant, Diamond Tool	534J
Cordless	
Caulking Gun Kit	489J
Diamond Glass Saw Kit	537J
Impact Driver/Drill	538J
Screwdriver Kit	538J
Corner Moldings	444J-445J
Corner Protectors	511J
CRL Vacuum Lifters	556J-557J
Cross-Line Leveling Laser	526J

D

DAP® Construction Adhesive	477J
Deep Nose Aluminum J-Channel	440J, 442J-443J
Diamond	
Drills	532J-533J
Glass Drilling Machine	530J
Notch and Saw Machine	536J
Tool Coolant Concentrate	534J
Disc Sanders-Polishers	543J
Divider Bar for Mirrors	444J
Drill Bits	539J
Drilling Machines for Glass	530J-532J

E

Easy Points	473J
Edge Moldings for Mirrors	446J-450J
Edge Sealants	476J, 482J
Electric Brad Nail Gun	468J
Epoxies	500J
E-Z Mount Mirror Clip Set	453J

F

Felt Wheels for Polishers	552J-553J
Foam Mounting Tape	479J

G

Glass	
Cleaners	516J, 518J
Dollies	561J-562J
Drilling Machines	530J-532J
Drills	532J-533J
Edging Machine	549J
Grinding Belts	540J-542J
Handling Gloves	559J
Protectors	511J-515J
Router	535J
Saws	536J-537J

Scratch Removal Systems	550J-555J
Glasstrax Glass Dolly	562J
Glazier's Tools	526J-564J
Gloves	559J
Gunther Mastics	476J

H

Hangers	454J, 464J-465J, 467J
Heavy-Duty Shop Carts	563J
Hi-SHEEN Glass Cleaner	516J
Hot Air Gun Kit	494J

I

Impact Driver/Drill	538J
Inside Angle Moldings	448J-449J
Inside Corner Molding	445J

J

J-Channel	440J-443J
-----------	-----------

K

Kwik-Seal Tub and Tile Caulk	488J
------------------------------	------

L

Laser Leveling Tool	526J
Laser Measuring Tools	526J
L-Bar	447J-449J
Lint Free Wipes	524J
Logo Label Aerosols	516J

M

Mastics for Mirrors	474J-477J
Material Handling Gloves	559J
Measuring Tools	526J-527J, 560J
Metal Cleaners	523J
Micro Fiber Wipes	524J
Mildew Resistant Silicones	483J-485J
Mirraco Mirror Clips and Hangers	454J
Mirro-Mastic	474J-475J
Mirro-Mastic Bond	475J
Mirror and Glass Notching Saw	537J
Mirror	
Cleaner and Polish	521J
Clip Sets	453J-454J, 457J
Clips in Display Packs	460J
Clips, Clear Plastic	460J-461J
Clips, Metal	452J-459J
Corner Protectors	511J
Divider Bars	444J
Edge Moldings	446J-450J
Edge Sealants	476J, 482J
Extrusions	440J-450J
Hanging Supplies	464J-473J
Mastics	474J-477J
Mounting Tape	474J-477J
Rosettes	462J-463J
Safety Backing Tape	478J
Mobile Glass Racks	564J
Multi-Function Tool	542J

N

Neutral Cure Silicone	485J
Notching Saws	537J
Nozzles for Caulking	490J

O

Offset Mirror Clips	459J
Outside Angle Moldings	448J-449J
Outside Corner Moldings	445J
Oval Head Screws	460J, 462J

P

Palmer Mirro-Mastic	474J-475J
Paper Towels	524J-525J
Picture	
Cleaners and Polishes	522J
Hanging Supplies	465J-466J
Mirror Clips	460J-461J
Reflective J-Channel	442J

Reflective Moldings	445J, 448J-450J
Reflective Tape	446J
Plumb Perfect Level®	527J
Point Setting Tools and Points	471J-472J
Powr-Grip Vacuum Cups	558J
Private Label Aerosols	516J
Protectors, Glass	511J-515J
Push Points	472J

Q

QwikSet Mirro-Mastic	475J
----------------------	------

R

Razor Blades	517J
Reflective Moldings	445J, 448J-450J
Reflective Plastic J-Channel	442J
Reflective Tape for Mirrors	446J
Rolling Glass Manipulator	564J
Rosettes and Screws	462J-463J
Rotary Tool Kit	538J

S

Safety Backing Tape	478J
Sanders	540J-548J
Sanding Belts and Discs	540J-544J, 547J-548J
Sanitary Silicones	484J
Saws for Glass	536J-537J
Scotch Mount Foam Tape	479J
Scratch Removal Systems	550J-555J
Screw Anchors	539J
Sealants	483J-487J
Shipping Pads	512J-515J
Shop Towels and Rags	524J-525J
Shower Door Tools	527J-529J
Silicones	483J-486J
Single Spindle Glass Edger	549J
Sprayway Glass Cleaners	494J, 516J
Stainless Steel Mirror Moldings	442J, 444J-445J, 449J-450J
Stainless Steel Polish and Cleaner	521J
Standard Aluminum J-Channel	440J, 442J-443J
Stick-On Sanding Discs	543J
Suction Cups	556J-558J
Swivel Drill Machine	532J

T

Tape Rules	560J
Tape, Reflective	446J
Tape, Very Hi-Bond	480J
Toggle® SnapSkru® Self-Drilling Drywall Anchors	461J, 539J
Translucent and Transparent Tapes	480J
Tripod Glass Drilling Machine	531J
Trizact Scratch Removal Kits and Supplies	554J-555J
Tub and Tile Caulk	488J

U

Ultraviolet Adhesive	495J-500J
Universal Point Driver and Points	472J
UV Adhesive Properties	501J-502J
UV Glass Bonding Tools and Accessories	491J-510J

V

Vacuum Cups	556J-558J
Very Hi-Bond Tapes	480J
Vinyl Corner Covers	511J

W

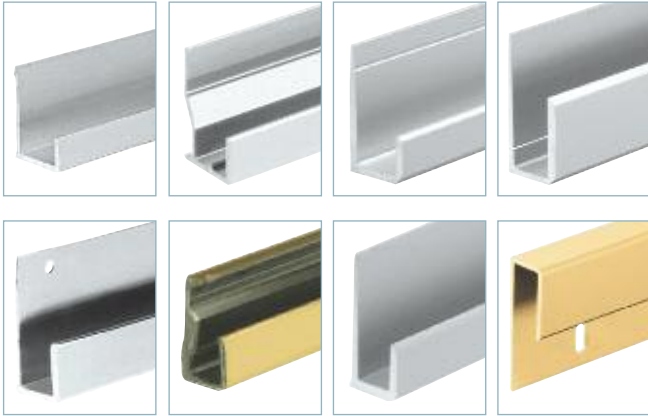
Water Clear Silicone Sealant	486J
Water Spot Remover	519J
Wet Abrasive Belts	544J, 547J-548J
Wet Belt Sanders	544J-548J
Wipes	524J
Wood's Powr-Grip Vacuum Cups	558J

SECTION 4 QUICK MENU

CRL23R has over 500 pages of products organized by specific product categories. For the fastest way to find what you want, check our A to Z Product Index starting on page 566J.

MIRROR EXTRUSIONS

PAGES 438J-451J



MIRROR CLIPS AND HANGING SUPPLIES

PAGES 452J-473J



MIRROR AND UV ADHESIVES

PAGES 474J-510J



MIRROR PROTECTION AND CLEANING ACCESSORIES

PAGES 511J-525J



GLAZIER'S TOOLS

PAGES 526J-564J

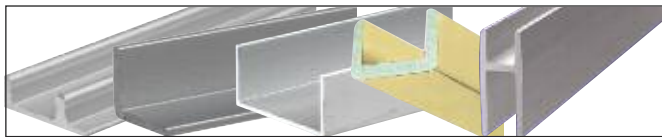


CRL Extrusions and Moldings

The Shapes, Materials, and Finishes You Need, When You Need Them



Selection



Through years of working with the industries, C.R. Laurence Company has developed an extensive line of Extrusions and Moldings that enables professionals to create projects with no limitations of design. Whether you are working with glass, mirror, plastics or other materials, you will find the selection of CRL Extrusions to be made of the highest quality materials, in the most commonly used shapes, along with hundreds of special application configurations.

Our material choices of aluminum, stainless steel, and plastic will allow you to use the most appropriate parts in assembling your jobs. Our large selection of finishes make it easier than ever to accent the applications in either new or existing environments. And if you need something special, custom shapes and finishes can be quoted upon request.

Service



Ordering online at crlaurence.com, by toll free phone, toll free fax, or visiting one of our 40 Worldwide Distribution and Manufacturing facilities is easier than ever. We take a business-to-business approach to every transaction with our customers. We are always pleased to receive your orders, and promise to fill them as promptly as possible.

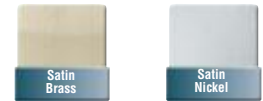
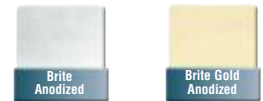
C.R. Laurence's Customer Services are offered in a variety of forms. The CRL Technical Sales Department offers Product Specialist Groups who are trained in the latest product systems and are ready to answer all of our product questions.

Most important is knowing that you can depend on CRL to have the inventory of products you need when you need them. We've invested in huge supplies of Extrusions and Moldings to be ready to serve you.

CRL's High Standards Produce the Results You Need to Achieve Excellence

Material Quality

Our aluminum smelting process starts with the highest quality primary ingots for billet castings. Alloy analysis is made using spectrometers, tensile testers, and impact testers for consistent results. Stainless steel moldings are made from Type 430 and 304 metals, and all of our plastic channels are of the finest materials available.



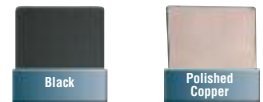
Aluminum Anodizing

Only high quality materials and chemicals are used in conjunction with 6,000 - 10,000 Amp rectifiers. CRL offers the widest range of anodized, brushed anodized, and polished finishes to precisely match our hardware with guaranteed consistency. Custom finishes are available, just ask.



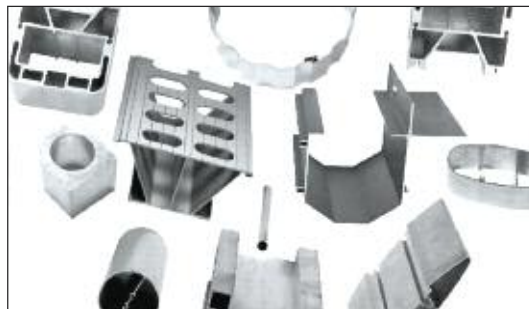
Powder Coating

Electro-static powder coating of CRL Aluminum Extrusions and Moldings is done with the finest powders and latest technology. Quality control experts constantly monitor pre-treatment chemicals for consistency. Choose from standard stocked colors, or let us match colors to your specific requirements.



Custom Shapes and Fabrication

CRL can produce virtually any shape extrusion from your drawing or samples. Our die makers will precisely design and produce high tolerance tooling with CNC Machine efficiency. Value added fabrication of special orders are never a problem. Services available include hole punching and drilling, cutting, processing, assembly, accessory fitting, stamping, mechanical polishing, and packaging with fasteners.

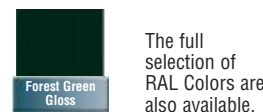
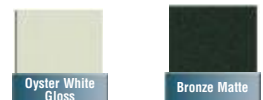


Superior Packaging

CRL's years of experience in handling and packaging extrusions have helped us design a variety of sound and secure packing methods. Protection of finished surfaces by polywrapping individual lengths and tightly packed full case shipments ensure delivery of flawless materials for your project requirements.



Powder Coat Finishes



The full selection of RAL Colors are also available.

Colors shown are representative only, and may vary slightly from actual gloss, color, and texture. If color match is critical, please contact Technical Sales for additional information.

CRL Mirror Extrusions and Supplies

- Choose From a Wide Variety of Opening Widths, Front Face Heights, and Beautiful Finishes

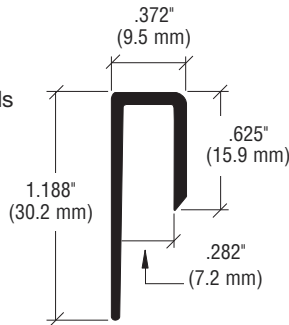
CRL has the largest and most diversified selection of Mirror Extrusions in the glazing industry. Available in a vast variety of finishes and configurations, each aluminum stock length is individually polywrapped for protection against scratching. Extrusions come in standard 12' (3.66 m) lengths and for a nominal cutting charge, can ship via U.P.S. (depending on quantity). Transform an ordinary looking room into a larger expanse of beauty!



CRL Deep Nose Aluminum 1/4" J-Channel

- 11 Finishes
- 12' (3.66 m) Stock Lengths

CRL Deep Nose J-Channels are individually polywrapped to prevent scratching, plus the back leg is punched and slotted for easier installation. Deep Nose J-Channel is normally used on the top in mirror installations.



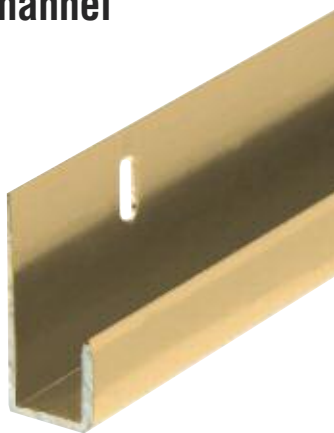
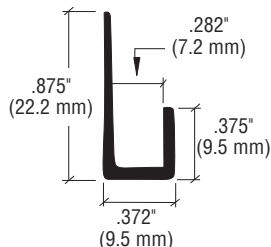
CAT. NO.	FINISH	QTY/CASE
D645A	Satin Anodized	40
D645BA	Brite Anodized	40
D645BGA	Brite Gold Anodized	40
D645BL	Black Electro-Static Paint	40
D645BN	Brushed Nickel	40
D645BRZ	Bronze Electro-Static Paint	40
D645DBA	Dipped Brite Anodized	40
D645DBGA	Dipped Brite Gold Anodized	40
D645GA	Gold Anodized	40
D645P	Polished	40
D645W	White Electro-Static Paint	40

Minimum order: 1 stock length.

CRL Standard Aluminum 1/4" J-Channel

- 11 Finishes
- 12' (3.66 m) Stock Lengths

CRL Standard J-Channels are individually polywrapped to prevent scratching, plus the back leg is punched and slotted for easier installation. Standard J-Channel is normally used on the bottom in mirror installations.



- Individually Polywrapped to Protect the Finish

CAT. NO.	FINISH	QTY/CASE
D636A	Satin Anodized	50
D636BA	Brite Anodized	50
D636BGA	Brite Gold Anodized	50
D636BL	Black Electro-Static Paint	50
D636BN	Brushed Nickel	50
D636BRZ	Bronze Electro-Static Paint	50
D636DBA	Dipped Brite Anodized	50
D636DBGA	Dipped Brite Gold Anodized	50
D636GA	Gold Anodized	50
D636P	Polished	50
D636W	White Electro-Static Paint	50

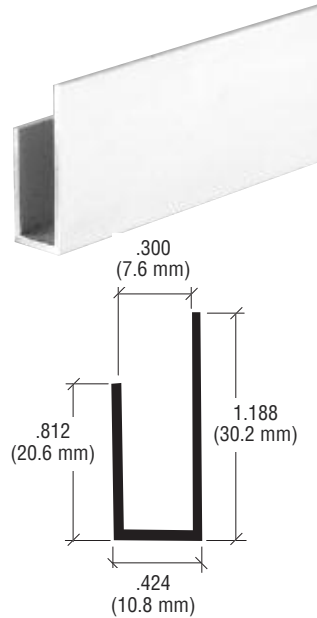
Minimum order: 1 stock length.

All finishes and shapes can be combined for quantity pricing. A Packing Charge will be added to orders of fewer than 10 combined lengths. Stock lengths longer than 98" (2.49 m) must ship common carrier, unless you specify we cut them for U.P.S. A Cutting Charge will apply.

CRL Extra Deep Nose Aluminum 1/4" J-Channel

- Two Finishes
- 12' (3.66 m) Stock Lengths

This J-Channel has a slightly longer front lip than our Deep Nose J-Channel. Each piece is individually polywrapped.



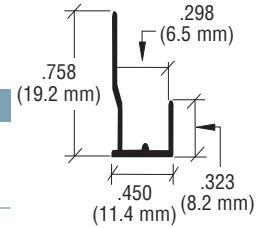
CAT. NO.	FINISH	QTY/CASE
D318A	Satin Anodized	40
D318BA	Brite Anodized	40

Minimum order: 1 stock length.

CRL FHA Type Aluminum 1/4" J-Channel

- Three Finishes
- 12' (3.66 m) Stock Lengths

This CRL FHA Type J-Channel holds the mirror 1/8" (3 mm) from the wall, and the raised rib at the bottom of the channel prevents moisture from being trapped in the channel. This design meets FHA specifications and prevents damage to the silver mirror backing due to accumulation of condensation. Each piece is individually polywrapped.



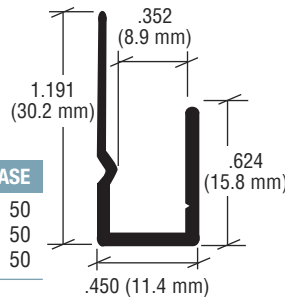
CAT. NO.	FINISH	QTY/CASE
D638A	Satin Anodized	50
D638BA	Brite Anodized	50
D638DU	Duranodic Bronze	50

Minimum order: 1 stock length.

CRL Deep Nose Heavy Indented Back Aluminum 1/4" J-Channel

- Three Finishes
- 12' (3.66 m) Stock Lengths

CRL Heavy Indented Back J-Channel allows air to circulate behind mirror to prevent potentially damaging moisture buildup. Each piece is individually polywrapped.



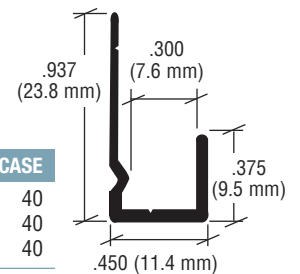
CAT. NO.	FINISH	QTY/CASE
D651A	Satin Anodized	50
D651BA	Brite Anodized	50
D651BGA	Brite Gold Anodized	50

Minimum order: 1 stock length.

CRL Standard Heavy Indented Back Aluminum 1/4" J-Channel

- Three Finishes
- 12' (3.66 m) Stock Lengths

CRL Heavy Indented Back J-Channel allows air to circulate behind mirror to prevent potentially damaging moisture buildup. Each piece is individually polywrapped.



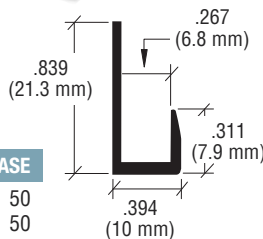
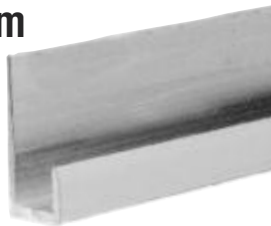
CAT. NO.	FINISH	QTY/CASE
D657A	Satin Anodized	40
D657BA	Brite Anodized	40
D657BGA	Brite Gold Anodized	40

Minimum order: 1 stock length.

CRL Low Profile Aluminum 1/4" J-Channel

- Three Finishes
- 12' (3.66 m) Stock Lengths

This J-Channel has a slightly shorter front lip than our Standard J-Channel. Each piece is individually polywrapped.



CAT. NO.	FINISH	QTY/CASE
D514A	Satin Anodized	50
D514BA	Brite Anodized	50
D514BGA	Buffed Brite Gold Anodized	50

Minimum order: 1 stock length.

CRL Aluminum J-Channel Sample Display

- Convenient Display Board for Showroom
- Shows Available J-Channel and Finishes

This CRL J-Channel Sample Display is designed to be a sales aid to assist customers in the selection of CRL's inventory of J-Channel and available finishes. The J-Channel Display is shrink-wrapped to hold the samples in place and allow for easy handling by customers. The J-Channel Display is a great way to increase sales of J-Channel and mirror products.



CAT. NO. JSAMPLE

All finishes and shapes can be combined for quantity pricing. A Packing Charge will be added to orders of fewer than 10 combined lengths. Stock lengths longer than 98' (2.49 m) must ship common carrier, unless you specify we cut them for U.P.S. A Cutting Charge will apply.

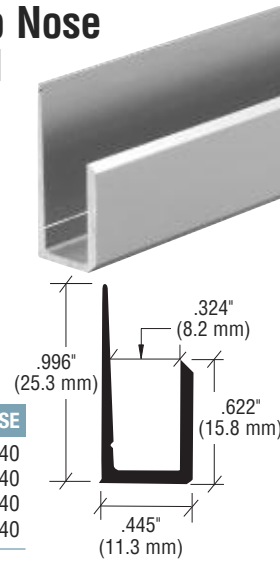
CRL Canadian Style Deep Nose Aluminum 1/4" J-Channel

- Four Finishes
- 12' (3.66 m) Stock Lengths

This CRL Canadian Style 1/4" (6 mm) Deep Nose J-Channel is normally used at the top of the mirror on installations. Each channel is individually polywrapped to prevent scratching during shipping and at the construction site.

CAT. NO.	FINISH	QTY/CASE
DV606A	Satin Anodized	40
DV606BA	Brite Anodized	40
DV606DBGA	Dipped Brite Gold Anodized	40
DV606BL	Black	40

Minimum order: 1 stock length.



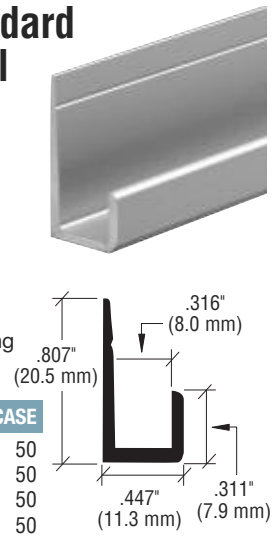
CRL Canadian Style Standard Aluminum 1/4" J-Channel

- Four Finishes
- 12' (3.66 m) Stock Lengths

This CRL Canadian Style 1/4" (6 mm) Standard Bottom J-Channel is normally used on the bottom of the mirror. Each channel is individually polywrapped to prevent scratching during shipping and at the construction site.

CAT. NO.	FINISH	QTY/CASE
DV605A	Satin Anodized	50
DV605BA	Brite Anodized	50
DV605DBGA	Dipped Brite Gold Anodized	50
DV605BL	Black	50

Minimum order: 1 stock length.



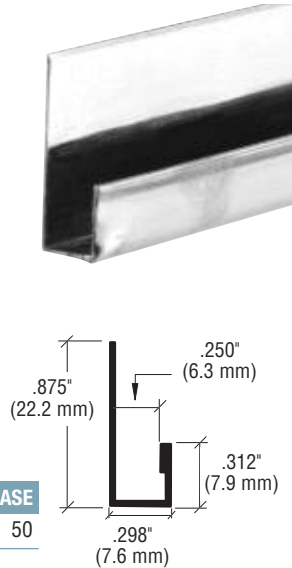
CRL Stainless Steel 1/4" J-Channel

- 12' (3.66 m) Stock Lengths

This CRL Stainless Steel Channel is used in glass and mirror installations where a bright finish is required, and the use of Stainless Steel is necessary. When you need to make a miter cut in stainless steel channel, you can use the MT702 Miter Tool. See page 445J. Each piece is individually polywrapped.

CAT. NO.	FINISH	QTY/CASE
SS960	Stainless Steel	50

Minimum order: 10 stock lengths.



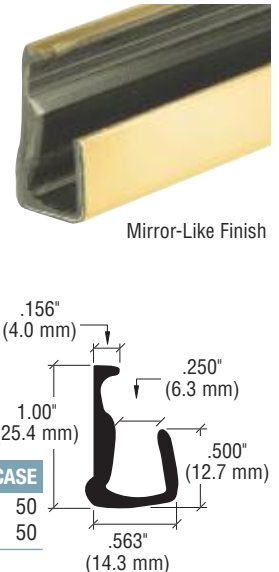
CRL Plastic Reflective 1/4" J-Channel

- High Strength, Lightweight
- 12' (3.66 m) Stock Lengths

CRL Plastic Reflective J-Channel goes along with our Reflective Trim and Tape, (see page 112G). Made of a high strength, lightweight plastic, J-Channel has a number of outstanding features; a flexible front lip keeps flush to the mirror face because it is reinforced with a metal core; a recessed channel for screws to help keep screw heads from scratching mirror backing; a peel-off protective masking for the lip face.

CAT. NO.	FINISH	QTY/CASE
J2236BR	Brass	50
J2236CH	Chrome	50

Minimum order: 1 stock length.



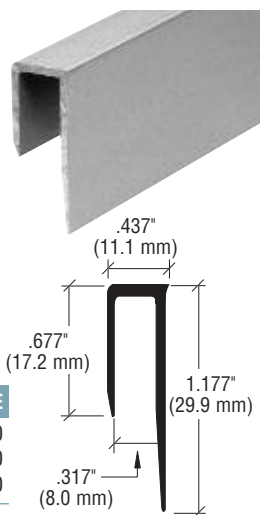
CRL Deep Nose Aluminum 5/16" J-Channel

- Three Finishes
- 12' (3.66 m) Stock Lengths

CRL 5/16" Deep Nose J-Channel allows for irregular wall surfaces. It provides extra room for application of light bodied mirror mastics or foam mirror mounting tapes. Stock lengths are individually polywrapped.

CAT. NO.	FINISH	QTY/CASE
D58A	Satin Anodized	40
D58BA	Brite Anodized	40
D58BGA	Brite Gold Anodized	40

Minimum order: 1 stock length.



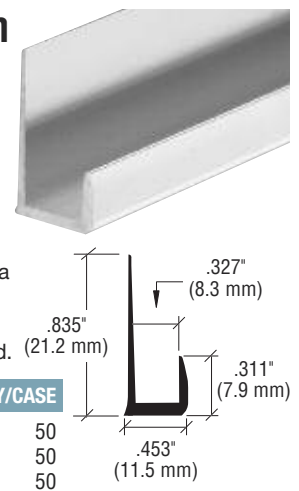
CRL Standard Aluminum 5/16" J-Channel

- Three Finishes
- 12' (3.66 m) Stock Lengths

CRL 5/16" Standard J-Channel allows for irregular wall surfaces. It provides extra room for application of light bodied mirror mastics or foam mirror mounting tapes. Stock lengths are individually polywrapped.

CAT. NO.	FINISH	QTY/CASE
D516A	Satin Anodized	50
D516BA	Brite Anodized	50
D516BGA	Brite Gold Anodized	50

Minimum order: 1 stock length.

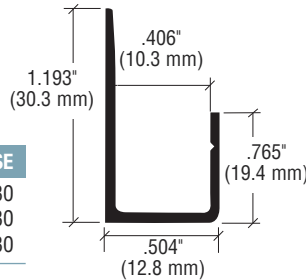
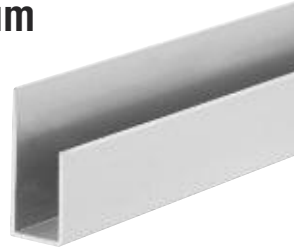


All finishes and shapes can be combined for quantity pricing. A Packing Charge will be added to orders of fewer than 10 combined lengths. Stock lengths longer than 98" (2.49 m) must ship common carrier, unless you specify we cut them for U.P.S. A Cutting Charge will apply.

CRL Deep Nose Aluminum 3/8" J-Channel

- Three Finishes
- 12' (3.66 m) Stock Lengths

CRL Deep Nose 3/8" (9.5 mm) J-Channel allows for irregular wall surfaces and provides room behind the mirror for pats of heavy bodied mirror mastic. Each stock length is individually polywrapped.



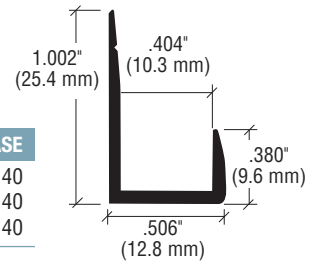
CAT. NO.	FINISH	QTY/CASE
D838A	Satin Anodized	30
D838BA	Brite Anodized	30
D838BGA	Brite Gold Anodized	30

Minimum order: 1 stock length.

CRL Standard Aluminum 3/8" J-Channel

- Three Finishes
- 12' (3.66 m) Stock Lengths

CRL Standard 3/8" (9.5 mm) J-Channel allows for irregular wall surfaces and provides room behind the mirror for pats of heavy bodied mirror mastic. Each stock length is individually polywrapped.

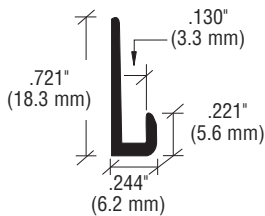


CAT. NO.	FINISH	QTY/CASE
D738A	Satin Anodized	40
D738BA	Brite Anodized	40
D738BGA	Brite Gold Anodized	40

Minimum order: 1 stock length.

CRL Aluminum J-Channels

1/8" J-Channel

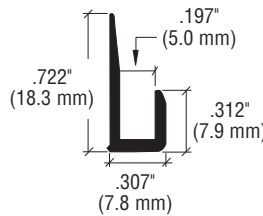


1/8" J-Channel is used for double strength mirror or thin laminates. Each stock length is individually polywrapped.

CAT. NO.	FINISH	QTY/CASE
D18A	Satin Anodized	50
D18BA	Brite Anodized	50

Minimum order: 1 stock length.

3/16" J-Channel

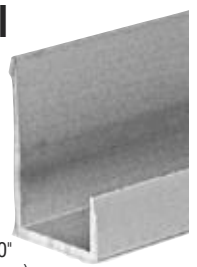
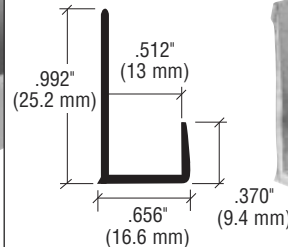


3/16" J-Channel is used for 3/16" (4.8 mm) thick mirrors and other materials. Each stock length is individually polywrapped.

CAT. NO.	FINISH	QTY/CASE
D3316A	Satin Anodized	50
D3316BA	Brite Anodized	50

Minimum order: 1 stock length.

1/2" J-Channel



1/2" J-Channel is used for 7/16" and 1/2" (11.1 and 12 mm) thick materials. Each stock length is individually polywrapped.

CAT. NO.	FINISH	QTY/CASE
D12A	Satin Anodized	30
D12BA	Brite Anodized	30

Minimum order: 1 stock length.

All finishes and shapes can be combined for quantity pricing. A Packing Charge will be added to orders of fewer than 10 combined lengths. Stock lengths longer than 98" (2.49 m) must ship common carrier, unless you specify we cut them for U.P.S. A Cutting Charge will apply.

CRL J-Channel Punch and Countersink Tool

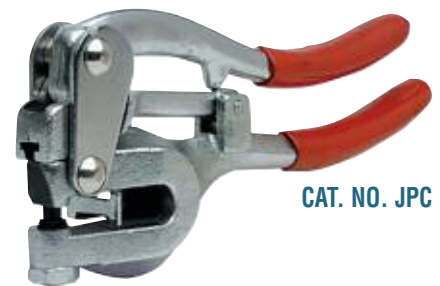
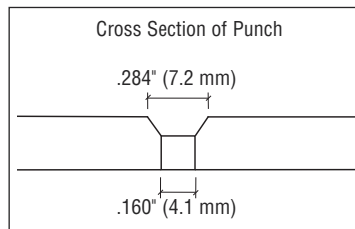
- Cuts a Clean Screw Hole in J-Channel Back Leg

Our powerful J-Channel Punch cuts a clean screw hole in the J-Channel back leg and countersinks at the same time. A side gauge permits accurate throat depth adjustment. Extra dies may be purchased separately.

NOTE: Punched hole is .160" diameter; Countersink size is .284" diameter.



CAT. NO. JPD



CAT. NO. JPC

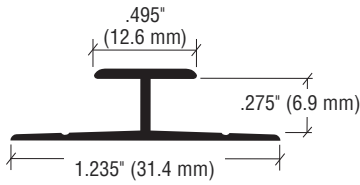
CAT. NO.	DESCRIPTION
JPC	Punch with Die Set
JPD	Extra Die Set

Minimum order: 1 each.

CRL MIRROR EXTRUSIONS

For Pricing Visit crlaurence.com or Call Us Toll Free at the Phone Numbers Shown on the Back Cover

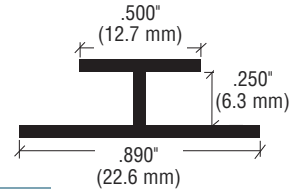
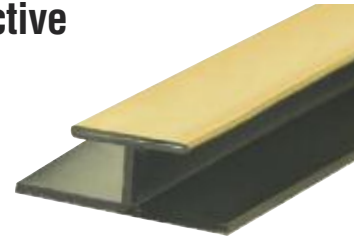
CRL Aluminum Divider Bar



CAT. NO.	FINISH	QTY/CASE	SPECIFICATIONS:
D901A	Satin Anodized	40	Material: 6063-T5 Aluminum Alloy Thickness: .045 (1.14 mm) Stock Length: 12'-0" (3.66 m) Typical Use: Hide butt joints of adjoining mirror panels.
D901BA	Brite Anodized	40	
D901BGA	Brite Gold Anodized	40	
D901BRZ	Bronze Electro-Static Paint	40	
D901GA	Gold Anodized	40	
D901P	Polished	40	

Minimum Order: 1 stock length.

CRL Plastic Reflective Divider Bar

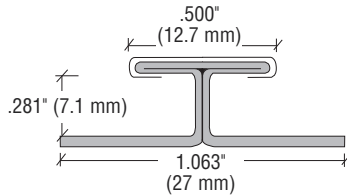


SPECIFICATIONS:
Material: Natural ABS
Thickness: .045 (1.14 mm)
Stock Length: 96" (2.44 m)
Typical Use: Designed to hide uneven or rough cut edges of adjoining mirrors.

CAT. NO.	FINISH	QTY/CASE
PRT175BR	PRT175BR	15
PRT175CH	PRT175CH	15

Minimum Order: 1 stock length. A Packing Charge will be added to orders of fewer than 15 combined lengths.

CRL Stainless Steel Divider Bar

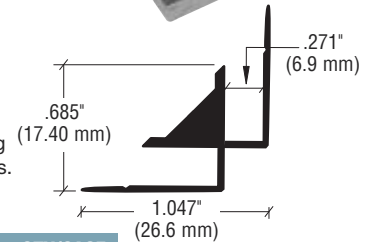
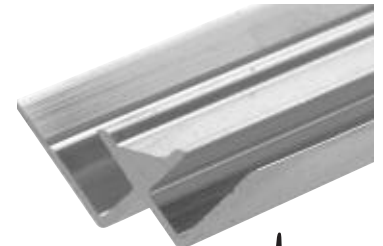


SPECIFICATIONS:
Material: 430 Stainless Steel
Thickness: .023 (.584 mm)
Stock Length: 12'-0" (3.66 m)
Typical Use: Used as a divider for adjoining mirrors.

CAT. NO.	FINISH	QTY/CASE
SS961	Stainless Steel	50

Minimum Order: 10 stock lengths.

CRL Aluminum Inside Corner Extrusion

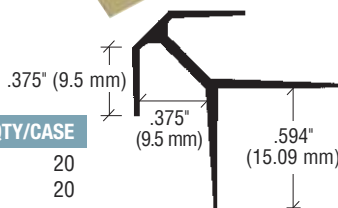
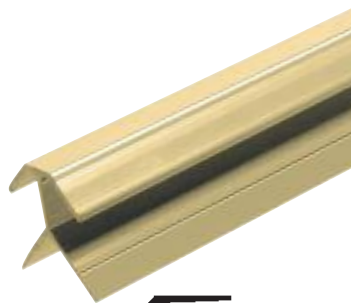


SPECIFICATIONS:
Material: 6063-T5 Aluminum Alloy
Thickness: .044 (1.12 mm)
Stock Length: 12'-0" (3.66 m)
Typical Use: Vertical edge molding for inside corner mirror installations.

CAT. NO.	FINISH	QTY/CASE
DA1022BA	Brite Anodized	20
DA1022BGA	Brite Gold Anodized	20

Minimum Order: 1 stock length.

CRL Aluminum Outside Corner Extrusion

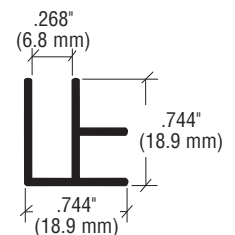
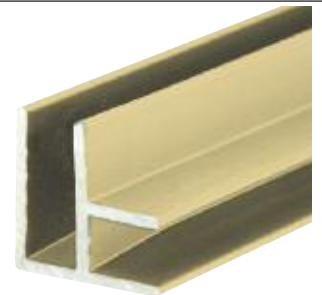


SPECIFICATIONS:
Material: 6063-T5 Aluminum Alloy
Thickness: .045 (1.15 mm)
Stock Length: 12'-0" (3.66 m)
Typical Use: Mirror installations on outside corners and square posts to eliminate the need for polishing edges while adding strength to the joints and corners.

CAT. NO.	FINISH	QTY/CASE
DA1023BA	Brite Anodized	20
DA1023BGA	Brite Gold Anodized	20

Minimum Order: 1 stock length.

CRL Aluminum Corner Extrusion



SPECIFICATIONS:
Material: 6063-T5 Aluminum Alloy
Thickness: .051 (1.30 mm)
Stock Length: 12'-0" (3.66 m)
Typical Use: Vertical edge molding for outside mirror installations.

CAT. NO.	FINISH	QTY/CASE
D7201A	Satin Anodized	40
D7201BA	Brite Anodized	40
D7201BGA	Brite Gold Anodized	40
D7201DU	Duranodic Bronze	40
D7201GA	Gold Anodized	40

Minimum Order: 1 stock length.

All finishes and shapes can be combined for quantity pricing. A Packing Charge will be added to orders of fewer than 10 combined lengths. Stock lengths longer than 98" (2.49 m) must ship common carrier, unless you specify we cut them for U.P.S. A Cutting Charge will apply.



C.R. LAURENCE COMPANY

crlaurence.com | usalum.com

ALUMINUM

444J

crlaurence.ca crlaurence.com.au crlaurence.co.uk crlaurence.de crlaurence.eu

CRL Plastic Reflective Outside Corner

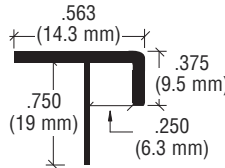


SPECIFICATIONS:

Material: Natural ABS
Thickness: .035 (.889 mm)
Stock Length: 96" (2.44 m)
Typical Use: Designed to hide uneven or rough cut edges.

CAT. NO.	FINISH	QTY/CASE
PRT125BR	Brass	15
PRT125CH	Chrome	15

Minimum Order: 1 stock length.



CRL Plastic Reflective Inside Corner

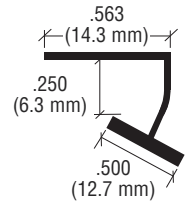


SPECIFICATIONS:

Material: Natural ABS
Thickness: .052 (1.32 mm)
Stock Length: 96" (2.44 m)
Typical Use: Designed to hide uneven or rough cut edges in mirror wall installations.

CAT. NO.	FINISH	QTY/CASE
PRT150BR	Brass	15
PRT150CH	Chrome	15

Minimum Order: 1 stock length.



CRL Stainless Steel Outside Corner

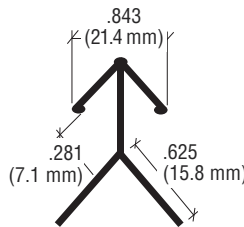


SPECIFICATIONS:

Material: 430 Stainless Steel
Thickness: .018 (.457 mm)
Stock Length: 12'-0" (3.66 m)
Typical Use: Mirror installations on outside corners and square post to eliminate the need for polishing edges while adding strength to the joints and corners.

CAT. NO.	FINISH	QTY/CASE
SS962	Stainless Steel	25

Minimum Order: 10 stock lengths.



CRL Aluminum Cross Corner Extrusion

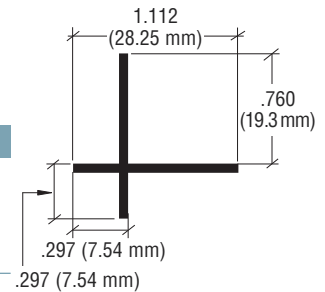


SPECIFICATIONS:

Material: 6063-T5 Aluminum Alloy
Thickness: .055 (1.40 mm)
Stock Length: 12'-0" (3.66 m)
Typical Use: Vertical molding to protect mirror's edge on outside corner wall and column installations.

CAT. NO.	FINISH	QTY/CASE
D323A	Satin Anodized	50
D323BA	Brite Anodized	50
D323BGA	Brite Gold Anodized	50
D323DU	Duranodic Bronze	50

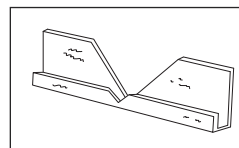
Minimum order: 1 stock length.



CRL Single Cut Miter Tool

• A Perfect Miter With the Close of a Hand

The CRL Single Cut Miter Tool is specially designed to make perfect miter cuts in stainless steel channels or other thin gauge metals. It is precision machined with tempered steel jaws which produce a clean cut without rough edges. Minimum order is one each.



Sample Cut



CAT. NO. MT702

All finishes and shapes can be combined for quantity pricing. A Packing Charge will be added to orders of fewer than 10 combined lengths. Stock lengths longer than 98" (2.49 m) must ship common carrier, unless you specify we cut them for U.P.S. A Cutting Charge will apply.

CRL Extruded Mirror Moldings

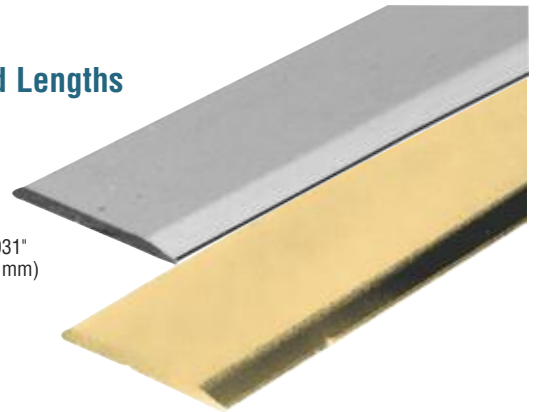
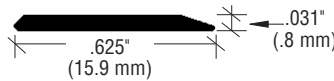


CRL 5/8" Flat Face Aluminum Mirror Edge Molding

Highly polished Flat Face Mirror Edge Molding may be used in place of the upper J-Channel in mirror installations to provide an even sight line at top. Adheres easily with CRL 33SC Silicone, or with CRL423212 1/32" x 1/2" (.8 mm x 12.7 mm) Black Foam Mounting Tape. Each piece is individually polywrapped.

- Five Finishes
- 12' (3.66 m) Stocked Lengths

CAT. NO.	FINISH	QTY/CASE
S625A	Satin Anodized	50
S625BA	Brite Anodized	50
S625BGA	Brite Gold Anodized	50
S625BN	Brushed Nickel	50
S625P	Polished	50



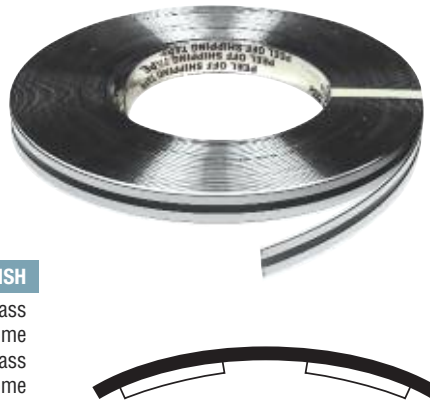
Minimum order: 1 stock length.

All finishes and shapes can be combined for quantity pricing. A Packing Charge will be added to orders of fewer than 10 combined lengths. Stock lengths longer than 98" (2.49 m) must ship common carrier, unless you specify we cut them for U.P.S. A Cutting Charge will apply.

CRL Plastic Reflective Tape

- Mirror Like Finish
- Conforms to Irregular Surfaces

This Plastic Reflective Tape has a mirror like finish that blends easily to hide butt joints and rough edges on mirror walls. It is flexible to conform well to curves and irregularities. Backed with adhesive to hold firmly in place. 100 feet (30.5 m) per roll.



CAT. NO.	WIDTH	FINISH
PRT400BR	1/2" (12 mm)	Brass
PRT400CH	1/2" (12 mm)	Chrome
PRT475BR	3/4" (19 mm)	Brass
PRT475CH	3/4" (19 mm)	Chrome
PRT490BR	1" (25 mm)	Brass
PRT490CH	1" (25 mm)	Chrome

Minimum order: 1 roll. Sizes and finishes can be combined for quantity pricing.

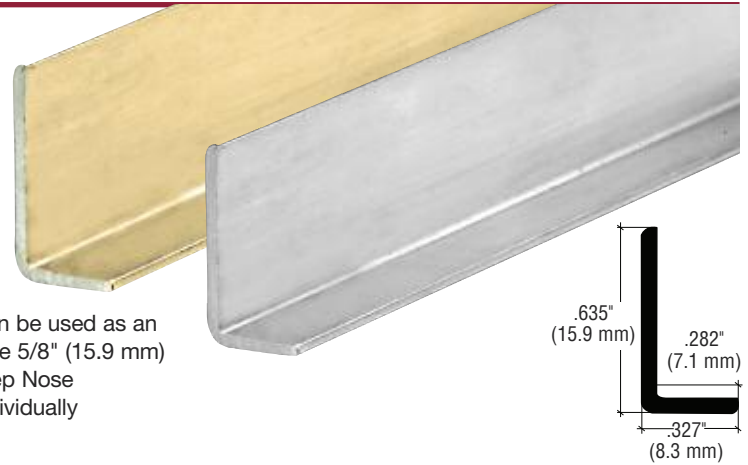


CRL MIRROR EXTRUSIONS

For Pricing Visit crlaurence.com or Call Us Toll Free at the Phone Numbers Shown on the Back Cover

CRL Aluminum L-Bar and J-Bar Face

- Seven Finishes
- 12' (3.66 m) Stock Lengths
- 50 Per Case



This versatile extrusion can be used as an L-Bar or J-Channel face. The 5/8" (15.9 mm) face height matches our Deep Nose J-Channel. Each piece is individually polywrapped.

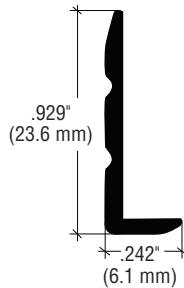
CAT. NO.	FINISH
L502A	Satin Anodized
L502BA	Buffed Brite Anodized
L502BGA	Brite Gold Anodized
L502BN	Brushed Nickel
L502BRZ	Bronze Electro-Static Paint
L502GA	Satin Gold Anodized
L502P	Polished

Minimum order: 1 stock length.

CRL Aluminum 3/16" L-Bar Extrusion

- Two Finishes
- 12' (3.66 m) Stock Lengths
- 50 Per Case

This CRL Aluminum L-Bar is a multi-purpose extrusion. Use it as an edge protector on complete mirror door installations, or on wall mirrors where a lower lip extrusion is not required. Also may be used as an edge protector for glass tops.



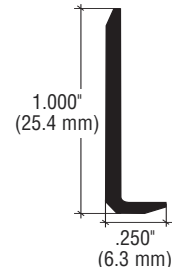
CAT. NO.	FINISH
DV101BA	Brite Anodized
DV101BGA	Brite Gold Anodized

Minimum order: 1 stock length.

CRL Aluminum 1/4" L-Bar Extrusion

- Six Finishes
- 12' (3.66 m) Stock Lengths
- 50 Per Case

L-Bar is an all purpose extrusion. Use it as an edge protector on complete mirror door installations, or on wall mirrors where a lower lip is not required. Also good as an edge protector for glass tops. 1/4" (6 mm) lip is available in seven popular finishes.



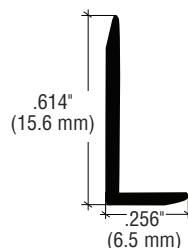
CAT. NO.	FINISH
L902A	Satin Anodized
L902BA	Brite Anodized
L902BGA	Brite Gold Anodized
L902BN	Brushed Nickel
L902BRZ	Bronze Electro-Static Paint
L902P	Polished

Minimum order: 1 stock length.

CRL Aluminum 1/4" L-Bar Extrusion

- Four Finishes
- 12' (3.66 m) Stock Lengths
- 50 Per Case

This CRL L-Bar Extrusion can be used as an L-Bar or J-Channel face. This extrusion is extremely versatile, and is for use with most mirror installations.



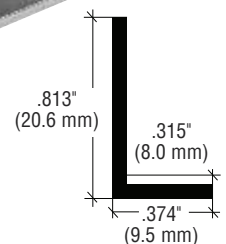
CAT. NO.	FINISH
DV607A	Satin Anodized
DV607BA	Brite Anodized
DV607BGA	Brite Gold Anodized
DV607BRZ	Bronze Electro-Static Paint

Minimum order: 1 stock length.

CRL Aluminum 3/8" L-Bar Extrusion

- Five Finishes
- 12' (3.66 m) Stock Lengths
- 50 Per Case

This CRL Angle Bar is finished on all surfaces which allows it to be used in any application where angle extrusion is a requirement.



CAT. NO.	FINISH
D317A	Satin Anodized
D317BA	Brite Anodized
D317BGA	Brite Gold Anodized
D317DU	Duranodic Bronze
D317GA	Gold Anodized

Minimum order: 1 stock length.

All finishes and shapes can be combined for quantity pricing. A Packing Charge will be added to orders of fewer than 10 combined lengths. Stock lengths longer than 98" (2.49 m) must ship common carrier, unless you specify we cut them for U.P.S. A Cutting Charge will apply.

CRL MIRROR EXTRUSIONS AND MOLDINGS

For Pricing Visit crlaurence.com or Call Us Toll Free at the Phone Numbers Shown on the Back Cover

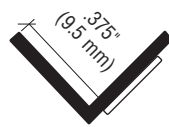
CRL 3/8" Plastic Reflective Inside Angle Molding

- Lightweight and High Strength
- 8' (2.44 m) Stock Lengths
- 15 Per Case

Covers up any inside corner gaps incurred in mirror installation. All angles come with one strip of two-sided foam tape for easy installation. The 96" (2.44 m) stock lengths can be shipped U.P.S.



Mirror-Like Finish



CAT. NO.	FINISH
PRT330BR	Brass

A Packing Charge will be added to orders of fewer than 15 combined lengths.

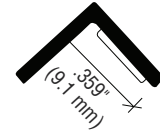
CRL 3/8" Plastic Reflective Outside Angle Molding

- Lightweight and High Strength
- 8' (2.44 m) Stock Lengths
- 15 Per Case

Ideal for dressing up the outside corners of mirror walls. All angles come with one strip of two-sided foam tape for easy installation. The 96" (2.44 m) stock lengths can be shipped U.P.S.



Mirror-Like Finish



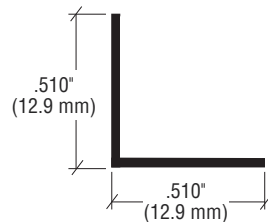
CAT. NO.	FINISH
PRT200CH	Chrome

A Packing Charge will be added to orders of fewer than 15 combined lengths.

CRL 1/2" Aluminum Angle Extrusion

- 12' (3.66 m) Stock Lengths
- Six Finishes
- 50 Per Case

Aluminum Angle Extrusion designed for mirror wall installations and other applications. Can be used for inside and outside corners.



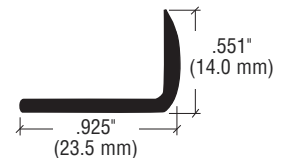
CAT. NO.	FINISH
D1627A	Satin Anodized
D1627BA	Buffed Brite Anodized
D1627BGA	Buffed Brite Gold Anodized
D1627BL	Black Electro-Static Paint
D1627BN	Brushed Nickel
D1627BRZ	Bronze Electro-Static Paint

A Packing Charge will be added to orders of fewer than 15 combined lengths.

CRL 1/2" Aluminum Rounded Face Angle Extrusion

- Three Finishes
- 12' (3.66 m) Stock Lengths
- 40 Per Case

"Rounded Face" Angle Extrusion is available in three popular finishes to match Mirror J-Channel. It is primarily used as top or bottom door cap.



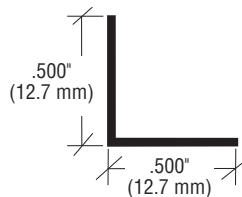
CAT. NO.	FINISH
DA326A	Satin Anodized
DA326BA	Buffed Brite Anodized
DA326BGA	Buffed Brite Gold Anodized

A Packing Charge will be added to orders of fewer than 10 combined lengths.

CRL 1/2" Stainless Steel L-Angle

- Stainless Steel Finish
- 12' (3.66 m) Stock Lengths
- 50 Per Case

This 1/2" (12.7 mm) Stainless Steel L-Angle is used in glass and mirror installations where a bright finish is required, and the use of stainless steel is necessary. When you need to make a miter cut in Stainless Steel Channel, you can use our MT702 Miter Tool.



CAT. NO.	FINISH
SS964	Stainless Steel

Minimum order: 10 stock lengths.

CRL Single Cut Miter Tool

- A Perfect Miter With the Close of a Hand



CAT. NO. MT702

The Single Cut Miter Tool is especially designed to make perfect miter cuts in stainless steel moldings or other thin gauge metals. It is precision machined with tempered steel jaws which produce a clean cut without rough edges. Minimum order is one each.

NOTE: Not Intended for Use with Aluminum Channels.

Minimum order for Extrusions and Moldings: 1 each. All finishes and shapes can be combined for quantity pricing. Stock lengths longer than 98" (2.49 m) must ship common carrier, unless you specify we cut them for U.P.S. A Cutting Charge will apply.



C.R. LAURENCE COMPANY

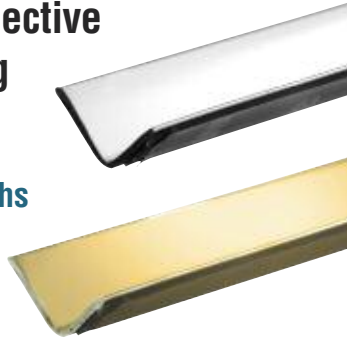
crlaurence.com | usalum.com

448J | crlaurence.ca crlaurence.com.au crlaurence.co.uk crlaurence.de crlaurence.eu

CRL 1/2" Plastic Reflective Inside Angle Molding

- Lightweight and High Strength
- 8' (2.44 m) Stock Lengths
- 15 Per Case

Covers up any inside corner gaps incurred in mirror installation. All angles come with one strip of two-sided foam tape for easy installation. The 96" (2.44 m) stock lengths can be shipped U.P.S.



Mirror-Like Finish

CAT. NO.	FINISH
PRT350BR	Brass
PRT350CH	Chrome

A Packing Charge will be added to orders of fewer than 15 combined lengths.



CRL 1/2" Plastic Reflective Outside Angle Molding

- Lightweight and High Strength
- 8' (2.44 m) Stock Lengths
- 15 Per Case

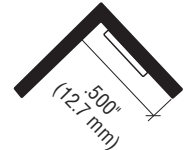
Ideal for dressing up the outside corners of mirror walls. All angles come with one strip of two-sided foam tape for easy installation. The 96" (2.44 m) stock lengths can be shipped U.P.S.



Mirror-Like Finish

CAT. NO.	FINISH
PRT250CH	Chrome

A Packing Charge will be added to orders of fewer than 15 combined lengths.



CRL 3/4" Plastic Reflective Inside Angle Molding

- Lightweight and High Strength
- 8' (2.44 m) Stock Lengths
- 15 Per Case

Covers up any inside corner gaps incurred in mirror installation. All angles come with one strip of two-sided foam tape for easy installation. The 96" (2.44 m) stock lengths can be shipped U.P.S.



Mirror-Like Finish

CAT. NO.	FINISH
PRT375BR	Brass
PRT375CH	Chrome

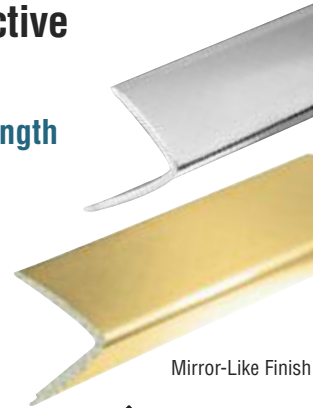
A Packing Charge will be added to orders of fewer than 15 combined lengths.



CRL 3/4" Plastic Reflective Outside Angle Molding

- Lightweight and High Strength
- 8' (2.44 m) Stock Lengths
- 15 Per Case

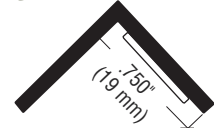
Ideal for dressing up the outside corners of mirror walls. All angles come with one strip of two-sided foam tape for easy installation. The 96" (2.44 m) stock lengths can be shipped U.P.S.



Mirror-Like Finish

CAT. NO.	FINISH
PRT275BR	Brass
PRT275CH	Chrome

A Packing Charge will be added to orders of fewer than 15 combined lengths.



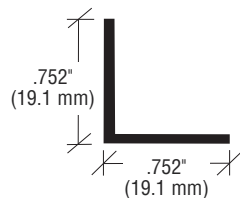
CRL 3/4" Aluminum Angle Extrusion

- Six Finishes
- 12' (3.66 m) Stock Lengths
- 50 Per Case

Aluminum Angle Extrusion designed for mirror wall installations and other applications. Can be used for inside and outside corners.

CAT. NO.	FINISH
D1628A	Satin Anodized
D1628BA	Buffed Brite Anodized
D1628BGA	Buffed Brite Gold Anodized
D1628BN	Brushed Nickel
D1628BRZ	Bronze Electro-Static Paint
D1628GA	Gold Anodized

A Packing Charge will be added to orders of fewer than 10 combined lengths.



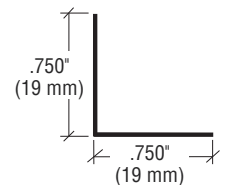
CRL 3/4" Stainless Steel L-Angle

- Stainless Steel Finish
- 12' (3.66 m) Stock Lengths
- 50 Per Case

This 3/4" Stainless Steel L-Angle is used in glass and mirror installations where a bright finish is required, and the use of stainless steel is necessary. When you need to make a miter cut in the Stainless Steel Channel our MT702 Miter Tool can be used.

CAT. NO.	FINISH
SS965	Stainless Steel

Minimum order: 10 stock lengths.



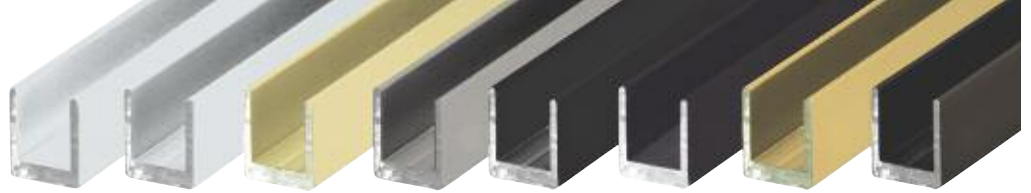
Minimum order for Extrusions and Moldings: 1 each. All finishes and shapes can be combined for quantity pricing. Stock lengths longer than 98" (2.49 m) must ship common carrier, unless you specify we cut them for U.P.S. A Cutting Charge will apply.

CRL MIRROR EXTRUSIONS AND MOLDINGS

For Pricing Visit crlaurence.com or Call Us Toll Free at the Phone Numbers Shown on the Back Cover

CRL 1/4" Aluminum Edge Extrusion

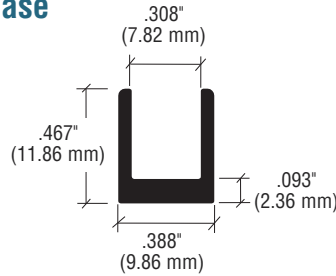
- Eight Finishes
- 12' (3.66 m) Stock Lengths



CRL 1/4" (6 mm) Aluminum Edge Extrusion is used to cover up rough cuts and exposed edges on 1/4" (6 mm) mirror. Also a popular U-Channel for partition posts and sneeze guards.

CAT. NO. **FINISH** • 50 Per Case

D631A	Satin Anodized
D631BA	Brite Anodized
D631BGA	Brite Gold Anodized
D631BN	Brushed Nickel
D631BL	Black
D631DU	Duranodic Bronze
D631GA	Gold Anodized
D631ORB	Oil Rubbed Bronze



A Packing Charge will be added to orders of fewer than 10 combined lengths.

CRL 1/4" x 1/4" Stainless Steel Edge Molding

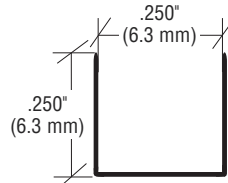
- 1/4" Face Height
- 12' (3.66 m) Stock Lengths
- 100 Per Case



CRL SS955 Edge Molding is fabricated from .020 gauge bright stainless steel.

CAT. NO.	FINISH
SS955	Stainless Steel

Minimum order: 10 stock lengths.



CRL 1/4" x 5/16" Stainless Steel Edge Molding

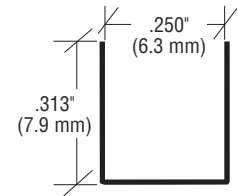
- 5/16" Face Height
- 12' (3.66 m) Stock Lengths
- 100 Per Case



CRL SS956 Edge Molding is fabricated from .018 gauge bright stainless steel.

CAT. NO.	FINISH
SS956	Stainless Steel

Minimum order: 10 stock lengths.



CRL 1/4" x 7/16" Stainless Steel Edge Molding

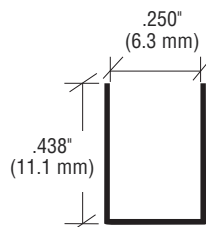
- 7/16" Face Height
- 12' (3.66 m) Stock Lengths
- 100 Per Case



CRL SS958 Edge Molding is fabricated from .020 gauge bright stainless steel.

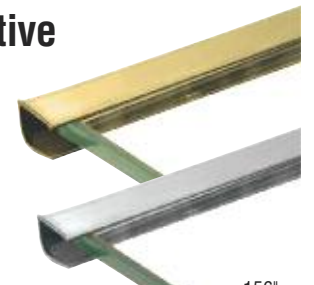
CAT. NO.	FINISH
SS958	Stainless Steel

Minimum order: 10 stock lengths.



CRL 1/4" Plastic Reflective Edge Molding

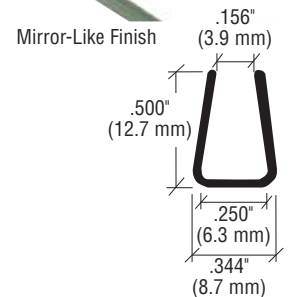
- Lightweight and High Strength
- 8' (2.44 m) Stock Lengths
- 15 Per Case



Reflective Edge Mold covers up rough cuts and exposed edges on 1/4" (6 mm) mirror. Trim to length, slip on mirror edge and you're done! 15 each 96" (2.44 m) lengths per bundle, and can be shipped U.P.S.

CAT. NO.	FINISH
PRT100BR	Brass
PRT100CH	Chrome

A Packing Charge will be added to orders of fewer than 15 combined lengths.



Minimum order for Extrusions and Plastic Moldings: 1 each. All finishes and shapes can be combined for quantity pricing. Stock lengths longer than 98" (2.49 m) must ship common carrier, unless you specify we cut them for U.P.S. A Cutting Charge will apply.



C.R. LAURENCE COMPANY

crlaurence.com | usalum.com

450J | crlaurence.ca crlaurence.com.au crlaurence.co.uk crlaurence.de crlaurence.eu

CRL Clear Plastic Setting Blocks

- Barely Visible Blocks are Great for Use in Mirror Installations
- Widely Used in Frameless Shower Installations
- Available in Six Sizes



CRL Clear Plastic Setting Blocks are especially suited for use where black neoprene or thermoplastic rubber setting blocks are undesirable, such as mirror or frameless shower door installations. They are barely visible in the bottoms of Mirror J-Channel, or on the bottom of sliding track H-Bar. CRL Clear Plastic Setting Blocks make glass leveling very simple, and are available in six sizes.

CAT. NO.	THICKNESS	THICKNESS	LENGTH
PSB040	.040" (1 mm)	1/4" (6.3 mm)	2" (50.8 mm)
PSB080	.080" (2 mm)	1/4" (6.3 mm)	2" (50.8 mm)
PSB125	1/8" (3.2 mm)	1/4" (6.3 mm)	2" (50.8 mm)
PSB156	5/32" (4 mm)	1/4" (6.3 mm)	2" (50.8 mm)
PSB250	1/4" (6.3 mm)	1/4" (6.3 mm)	2" (50.8 mm)
PSB375	3/8" (9.5 mm)	1/4" (6.3 mm)	2" (50.8 mm)

Minimum order: 100 each. Must be ordered in increments of 100. Sizes can be combined for quantity pricing.

CRL Glass Jack

The CRL Glass Jack makes adjusting (or lifting) large glass and mirror panels a simple, one person job. Used in conjunction with your Vacuum Cup (not included), this precision machined tool lets you adjust and set your glass, while getting a better view of what you are doing without any interference. At the same time, you reduce your risk of back injury.

The CRL Glass Jack is set on a solid surface while you position it's cradle under your vacuum cup. Then by simply attaching your cup to the glass and turning the center adjustment bar by hand, the glass will raise or lower accordingly. The turnbuckle mechanism lets you move glass panels in the smallest of increments, without sudden movements.

Made from the highest quality aluminum, the CRL Glass Jack is built for years of service. Remember: Never exceed the recommended weight limit of your vacuum cup. For additional information, contact CRL Customer Service at (800) 421-6144 in the U.S., (877) 421-6144 from Canada, or (323) 588-1281 International, and ask for Ext. 5275. You can also e-mail us through our web site at crlaurence.com. From the home page click on Contact Us, and then click on Customer Service.

- A Simple and Affordable Tool That Makes Adjusting Large Glass Panels Easy

- Great for the Small Glass Shop



CAT. NO. J1



Vacuum Lifter Sold Separately See Pages 556J - 557J.

CRL Black Masking Tape

- For General Purpose Mirror Use

CRL Black Masking Tape is used in between and behind joints of mirror walls to leave a clean black line. This tape also acts as a shock-absorbing cushion when applied to the edge of the mirror, eliminating "clam shell" caused by mirror edges striking each other.

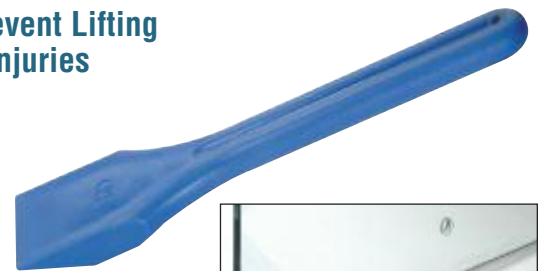


CAT. NO.	WIDTH	ROLL/LENGTH	ROLLS/CASE
23534	3/4" (19 mm)	180' (54.8 m)	48
2351	1" (25.4 mm)	180' (54.8 m)	36

Minimum order: 1 roll.

CRL Plate Glass Lifting Tool

- Helps Prevent Lifting Related Injuries



Our newest handy tool is used to lift heavy plate glass and mirror while you insert setting blocks or shims. Helps reduce strain on your back. Also handy to scoop and spread mirror mastic.

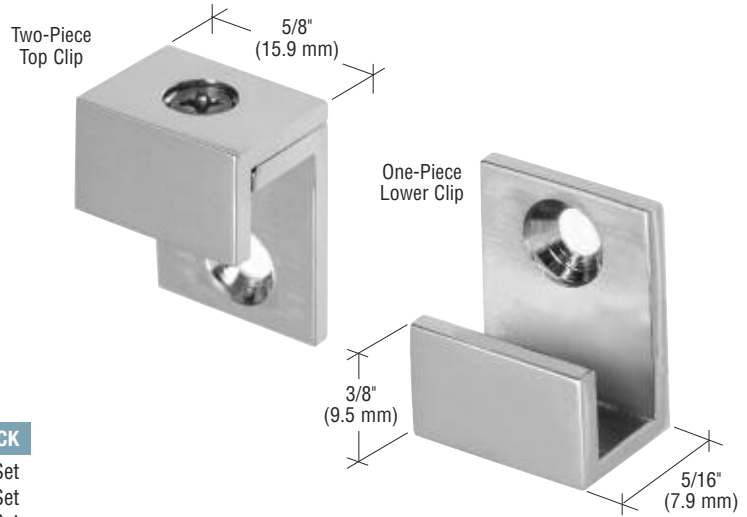


CAT. NO. PGL11

CRL 5/8" Wide Mirror Clips

- For 1/4" (6 mm) Mirror
- Available in Three Finishes
- Supplied With Wood Screws and Anchors

CRL 5/8" (15.9 mm) Wide Mirror Clips are designed for 1/4" (6 mm) mirror. They simplify the process of installing mirrors by using the One-Piece Clip on the bottom and the Two-Piece Clip on top for a quick and easy installation. The Upper Clip is removable by unscrewing the top screw. Supplied with #6 x 3/4" (19 mm) Flat Head Wood Screws and Plastic Anchors. Set includes two Upper and two Lower Clips.



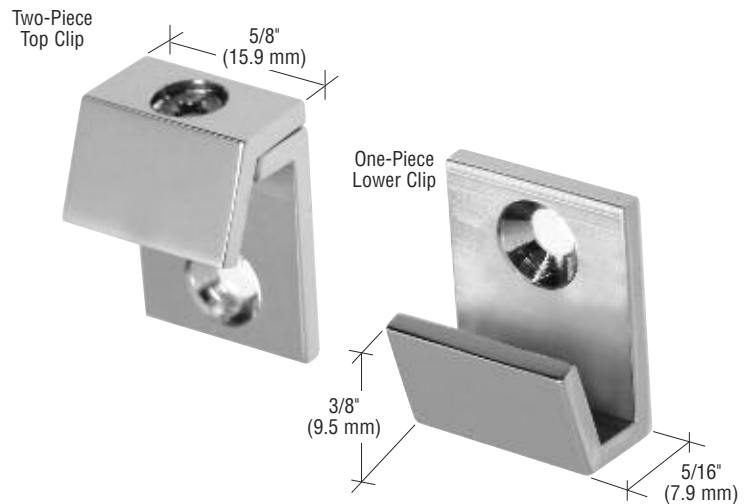
CAT. NO.	FINISH	QTY/PACK
MC01BR	Brass	4 Clips per Set
MC01BN	Brushed Nickel	4 Clips per Set
MC01CH	Chrome	4 Clips per Set

Minimum order: 1 each. All Stainless Steel Theft-Proof Mirror Frames can be combined for quantity pricing.

CRL 5/8" Wide Beveled Mirror Clips

- For 1/4" (6 mm) Beveled Mirror
- Available in Three Finishes
- Supplied With Wood Screws and Anchors

CRL 5/8" (15.9 mm) Wide Beveled Mirror Clips are specifically designed for 1/4" (6 mm) beveled mirror. They simplify the process of installing mirrors by using the One-Piece Clip on the bottom and the Two-Piece Clip on top for a quick and easy installation. The Upper Clip is removable by unscrewing the top screw. Supplied with #6 x 3/4" (19 mm) Flat Head Wood Screws and Plastic Anchors. Set includes two Upper and two Lower Clips.



CAT. NO.	FINISH	QTY/PACK
MC00BR	Brass	4 Clips per Set
MC00BN	Brushed Nickel	4 Clips per Set
MC00CH	Chrome	4 Clips per Set

Minimum order: 1 each. Can be combined with all other Mirror Clips for quantity pricing.

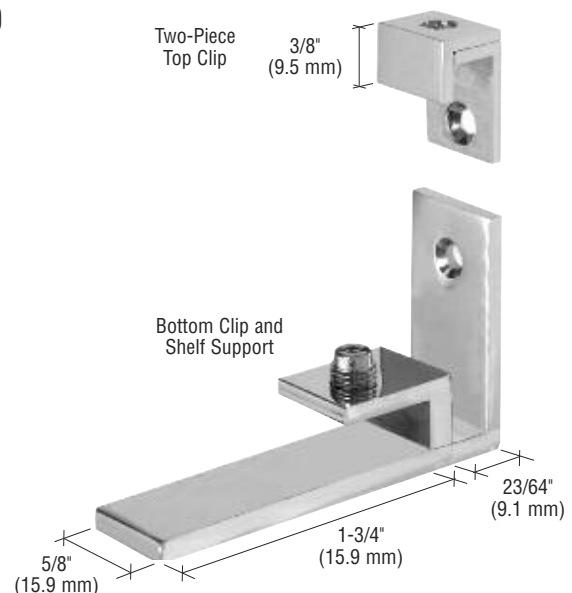
CRL Combination Shelf Support and Mirror Clip

- For 1/4" to 5/16" (6 to 8 mm) Mirror and Shelf
- Available in Three Finishes
- Supplied With Wood Screws and Anchors

The CRL Combination Shelf Support and Mirror Clips are uniquely designed for 1/4" to 5/16" (6 to 8 mm) mirror and a shelf. They simplify the process of installing mirrors by using the One-Piece Shelf Support and Clip on the bottom and the Two-Piece Clip on top for a quick and easy installation. The Upper Clip is removable by unscrewing the top screw. The Shelf Support comes with a cork tipped tightening screw. Supplied with #8 x 1" (25 mm) Flat Head Wood Screws and Plastic Anchors. Set includes two Upper and two Lower Clips.

CAT. NO.	FINISH	QTY/PACK
MC04BR	Brass	4 Clips per Set
MC04BN	Brushed Nickel	4 Clips per Set
MC04CH	Chrome	4 Clips per Set

Minimum order: 1 each. Can be combined with all other Mirror Clips for quantity pricing.



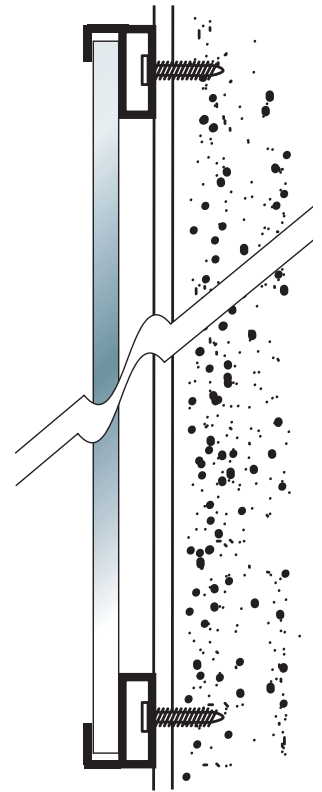
CRL E-Z Mount Mirror Clip Set

- The Fast and Secure Way to Hang Mirrors
- Unique Spring-Loaded Top Clips
- Made of Nickel Plated Steel

These CRL E-Z Mount Mirror Clip Sets are a secure and economical way to hang mirrors. The Upper Clips have unique, spring-loaded flanges which allow them to expand during installation. The Lower Clips are not spring-loaded, and are designed to carry the mirror's weight.

To install, set your mirror into the Upper Clips, extending them. Then just seat mirror into the Lower Clips. Each set of 655 Mirror Clips consists of two Upper and two Lower Clips, plus four mounting screws. A bulk carton consists of 50 sets. **NOTE:** Maximum recommended mirror size is 36" x 48" (914 x 1219 mm).

Upper Clips: Have unique, spring-loaded flanges. You just expand these clips during installation – it's quick and easy!



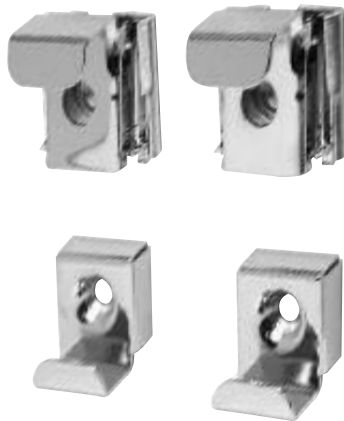
Lower Clips: Always remain stationary, and have a 5/16" (7.9 mm) channel space. These clips are not spring loaded, and are designed to carry the mirror's weight.

CAT. NO.	FINISH	QTY/PACK
655	Nickel Plated	4 Clips Per Set
50655B	Nickel Plated	Bulk Package of 50 Sets

Minimum order: Cat. No. 655 is one set; Cat. No. 50655B is one carton. Cat. No. 655 Clip Sets can be combined with all other Mirror Clips for quantity pricing.

CRL Plastic Lined Mirror Mounting Clips

- Polished Chrome Finish
- Plastic Lining Helps Protect Clips and Prevent Scratches in Mirror



CRL's Plastic Lined Mirror Mounting Clips are designed to allow maximum air circulation behind the mirror and accommodate uneven wall surfaces. The Upper Clips are spring loaded to expand over the top edge of the mirror as it is being installed, and then return to a position where the mirror is held firmly against the wall. The Lower Clips support the weight of the mirror. A plastic liner inside each Clip protects and cushions the mirror. Four Clips per set.

CAT. NO.	FINISH	QTY/PACK
655KE	Polished Chrome	4 Clips Per Set

Minimum order: 1 set. Can be combined with all other Mirror Clips for quantity pricing.

CRL J-Mirror Clip Set

- Plastic Lined to Protect Mirror Back Against Scratching
- Bright Nickel Plated Finish
- For 1/4" (6 mm) Mirror



These CRL J-Mirror Clip Sets are designed with raised back ribs so the screw head is flush with the Clip, away from the mirror backing, which reduces the chance of scratching. Each Mirror Clip Set includes four Clips, screws, and plastic liners.

CAT. NO.	FINISH	QTY/PACK
KJ9	Nickel Plated	4 Clips Per Set

Minimum order: 1 set. Can be combined with all other Mirror Clips for quantity pricing.

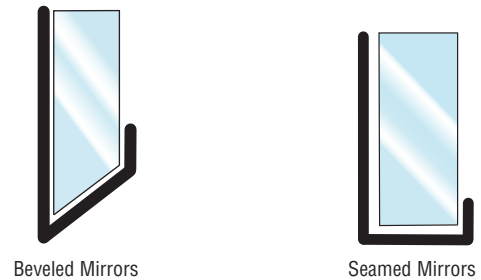
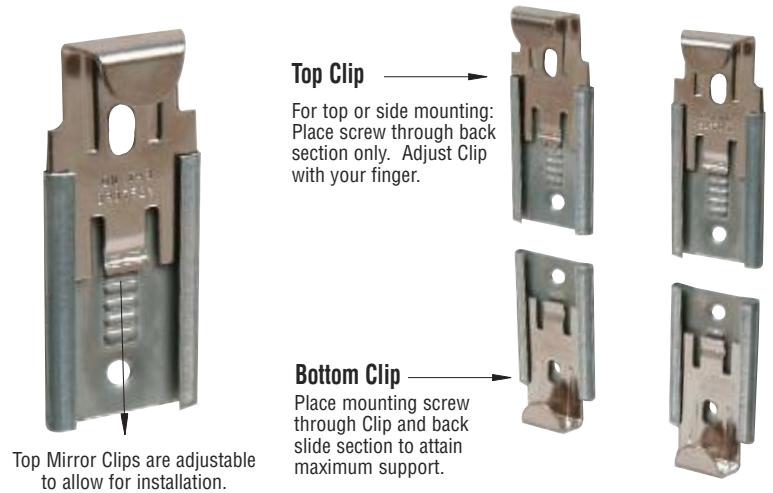
CRL Adjustable Mirror Clip Sets

- Available to Fit Three Thicknesses of Mirror
- Models for Flat Seamed or Beveled Type Edges
- No Holes to Drill in Mirror or Backboard
- Gold and Nickel Plated Finishes

These CRL Adjustable Mirror Clip Sets are designed specifically for mirrors with flat seamed or beveled type edges. These attractive Clips hold mirrors firmly, yet there are no visible screws or unsightly holders. The expandable Upper Clips make it easy to install most any mirror. Available in nickel or gold plated finishes. They are quick, simple, and easy to use. Each set contains two Upper and two Lower Clips with mounting screws. **NOTE:** Each Lower Clip can hold up to 50 pounds (22.7 kg) when mounted every four feet (1.2 m) into wall studs.

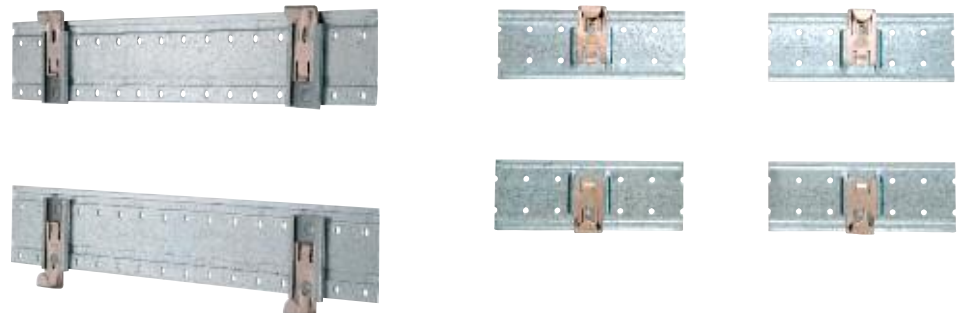
CAT. NO.	FINISH	APPLICATION	SETS/PACK
64114	Nickel Plated	1/4" (6 mm) Seamed Mirrors	1
5064114	Nickel Plated	1/4" (6 mm) Seamed Mirrors	50
64114GLD	Gold Plated	3/8" (10 mm) Seamed Mirrors	1
64138	Nickel Plated	1/2" (12 mm) Seamed Mirrors	1
64112	Nickel Plated	1/4" (6 mm) Beveled Mirrors	1
64114BV	Nickel Plated	1/4" (6 mm) Beveled Mirrors	1
5064114BV	Nickel Plated	1/4" (6 mm) Beveled Mirrors	50
64114BVGLD	Gold Plated	1/4" (6 mm) Seamed Mirrors	1

Minimum order: 1 each. Can be combined with all other Mirror Clips for quantity pricing.



CRL Mirraco Mirror Hangers

- Greater Holding Strength
- Reduces Installation Time
- No Holes to Drill in Mirror
- No Backboards Necessary
- Ample Space Between Mirror and Wall Adds to Life of Mirror



These CRL Mirraco Mirror Hangers are an excellent choice for larger mirror installations. This system provides greater holding strength than comparable hangers. Installation time is reduced because there are no holes to drill in the mirror, plus the mirror can be centered before hanging. Each Set includes Upper and Lower Hanger Strips, four Clips, screws, and complete mounting instructions. This system offers a complete range of Hanger Sets from 16" to 54" (406 to 1372 mm).

CAT. NO.	HANGER WIDTH	MAXIMUM MIRROR WIDTH
74116	16" (406 mm)	26" (660 mm)
74124	24" (610 mm)	30" (762 mm)
74128	28" (711 mm)	36" (914 mm)
74136	36" (914 mm)	44" (1118 mm)
74142	42" (1067 mm)	56" (1422 mm)
74154	54" (1372 mm)	80" (2032 mm)

Minimum order: 1 each. Sizes can be combined for quantity pricing.

Easy to Install

1. Position and secure bottom hanger to wall.
2. Position top hanger 1/2" lower than eight of mirror and secure to wall.
3. Push top clips up install mirror (bottom first). Push top clip down to hold mirror.

NOTE: Hangers are Stamped Top or Bottom.



• New 6" (152 mm) Long Four-Hanger Sets

These New CRL Mirraco 6" (152 mm) Four-Hanger Sets let you mount individual Hangers, instead of a continuous Hanger Strip, in the best position to accommodate mirrors up to 60" (1524 mm) in width. They have the famous Mirraco Clips that make mirrors easy to mount without drilling into the glass. Each Set includes two Upper and two Lower Hanger Strips with Clips, screws, and mounting instructions.

CAT. NO.	MAXIMUM MIRROR WIDTH
7416	60" (1524 mm)

Minimum order: 1 each.

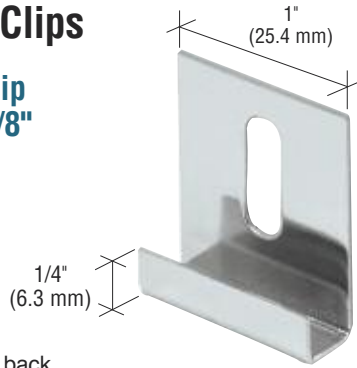
CRL Dallas Mirror Clips

- Very Popular Wide Clip for 1/4", 5/16", and 3/8" Mirror

CRL's Dallas Mirror Clips are very popular. They are available for three glass or panel thicknesses. Fabricated from 21 gauge steel, the slotted back allows for a height adjustment of 1/2" (12.7 mm).

The clip is 1" (25.4 mm) wide and has a 1/4" (6.3 mm) flange.

NOTE: Clips are plated to resist corrosion, but any ammonia-based cleaners sprayed on clips will deteriorate the protective nickel plating.



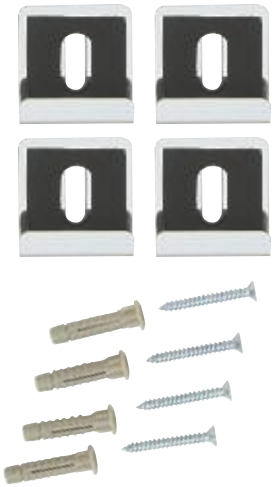
CAT. NO.	FINISH	CHANNEL SIZE	QTY/PACK
778A	Nickel Plated	1/4" (6 mm)	100
778B	Nickel Plated	5/16" (8 mm)	100
778C	Nickel Plated	3/8" (10 mm)	100

Minimum order: 100 each. Can be combined with all other Mirror Clips for quantity pricing.

CRL Quartet Mirror Clip Sets

- Slotted, Sponge Backing
- Includes Clips, Anchors, and Screws

The CRL Quartet Mirror Clip Set is a beautifully finished heavy gauge steel clip made expressly to support and hold 1/4" (6 mm) mirrors. Available in high luster chrome, the nose is 1-3/16" (30 mm) wide with a sponge backing that helps secure the mirror softly but firmly in place. Each set consists of four clips, anchors, and screws in an attractive package, complete with installation instructions.



CAT. NO.	FINISH	QTY/SET
3061501	Brite Chrome	4

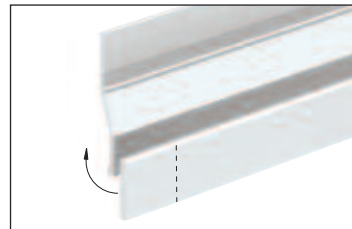
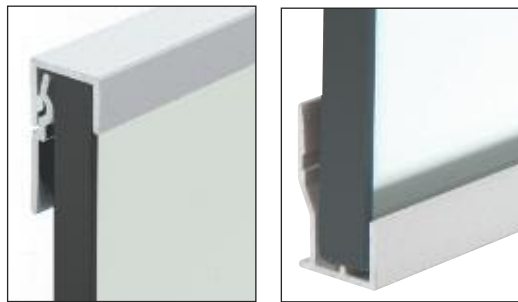
Minimum order: 1 set. Can be combined with all other Mirror Clip Sets for quantity pricing.

CRL Cleat Mount System for Mirrors

- Made From Three Easy-to-Use Extrusions
- Available in Two Finishes
- Neat and Trim in Appearance

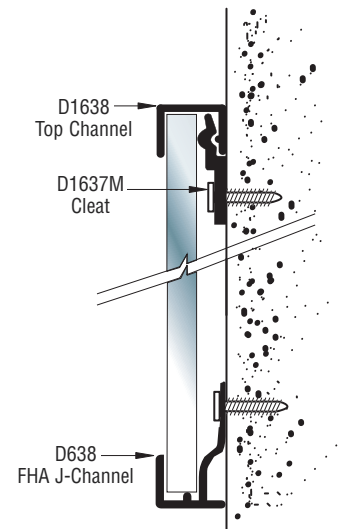
The Cleat Mount System for Mirrors affords the installer a neat, trim way to mount mirrors with a narrow 5/16" (7.9 mm) frame. The unique offset profile of the Cleat, in conjunction with the Top Channel and the FHA J-Channel*, helps keep moisture from being trapped behind the mirror, while also concealing screws and support hardware. 12 foot (3.66 m) stock lengths.

NOTE: Not recommended for schools, hospitals, or institutions where mirror edges should be protected on all four sides (see D1950 Mirror Frames on page 409J.)



Mounting Detail

Closed ends can be created by trimming back a portion of the channel, and bending back the front flaps to close off the ends



D1638
Top Channel



D1637M
Cleat



D638
FHA J-Channel

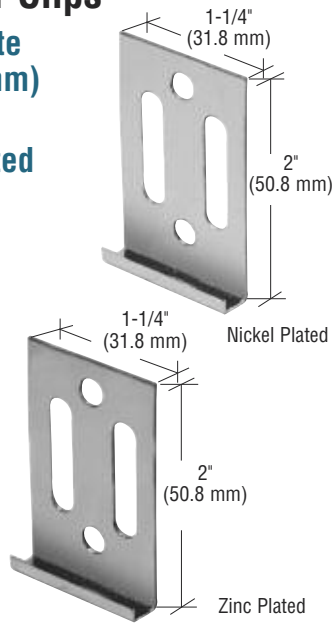
CAT. NO.	DESCRIPTION	FINISH
D638A	FHA J-Channel*	Satin Anodized
D638DU	FHA J-Channel*	Duranodic Bronze
D1637M	Cleat	Mill
D1638A	Top Channel	Satin Anodized
D1638DU	Top Channel	Duranodic Bronze

Minimum order: 1 each. All finishes and shapes can be combined for quantity pricing. A Packing Charge will be added to orders of fewer than five combined lengths. Stock lengths longer than 98" (2.49 m) must ship common carrier, unless you specify we cut them for U.P.S. A Cutting Charge will apply. *Meets Federal Housing Authority Specifications.

CRL Vancouver Mirror Clips

- Available to Accommodate 1/8" to 1/4" (3 mm to 6 mm) Thick Glass
- Two Finishes: Nickel Plated and Zinc Plated
- Slotted to Permit Height Adjustment

These CRL Vancouver Mirror Clips are available in nickel and zinc plated finishes. The advantage of the nickel plated finish is that it resists corrosion. These Clips are designed with 1" (25.4 mm) slots that allow for height adjustment during installation. They are available for glass thicknesses of 1/8" to 1/4" (3 mm to 6 mm).



CAT. NO.	FINISH	FITS	QTY/PACK
SW0163	Nickel Plated	1/8" (3 mm) Glass	100
SW0164	Zinc Plated	5/32" (4 mm) Glass	100
SW1264	Nickel Plated	5/32" (4 mm) Glass	100
SW0165	Zinc Plated	3/16" (5 mm) Glass	100
SW1266	Nickel Plated	3/16" (5 mm) Glass	100
SW0166	Zinc Plated	1/4" (6 mm) Glass	100
SW1267	Nickel Plated	1/4" (6 mm) Glass	100

Minimum order: 100 each. Can be combined with all other Mirror Clips for quantity pricing.

CRL Bishop Mirror Clips

- Nickel Plated Finish
- Easy to Install



CRL Bishop Mirror Clips are available in a nickel plated finish for 1/4" (6 mm) mirror. They hold mirrors firmly in place without any visible screws. The Top Clip consists of two separate parts (Cat. No. SW5232 Upper Male Clip and Cat. No. SW5233 Upper Female Clip) that slide into each other. This makes them expandable so it is easier to install the mirror. Together they work with Cat. No. SW6003, which is a one-piece Lower Stationary Clip that is used on the bottom.

CAT. NO.	FINISH	DESCRIPTION	QTY/PACK
SW5232	Nickel Plated	Upper Clip - Male	100
SW5233	Nickel Plated	Upper Clip - Female	100
SW6003	Nickel Plated	Lower Stationary Clip	100

Minimum order: 100 each. Can be combined with all other Mirror Clips for quantity pricing.

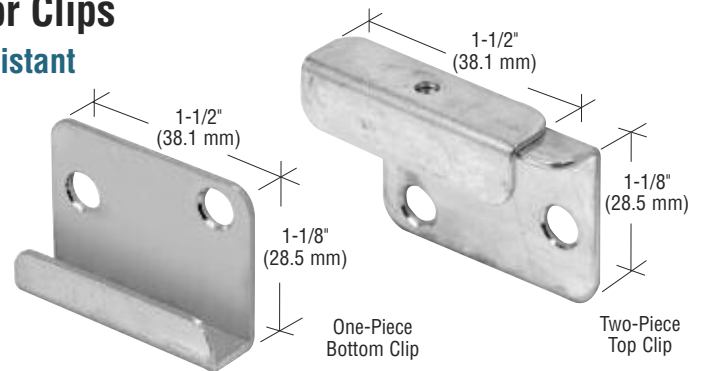
CRL One and Two-Piece Anochrome Mirror Clips

- Anochrome Finish
- Easy to Install
- Rust Resistant

CRL One and Two-Piece Anochrome Mirror Clips for 1/4" to 5/16" (6 to 8 mm) mirror simplify the process of installing large mirrors. Fabricated from anochrome plated brass, these Clips are attractive, easy to install, and do not rust. The One-Piece Clip is used on the bottom, and the Two-Piece Clip on the top for a quick and easy installation.

CAT. NO.	FINISH	DESCRIPTION	QTY/BOX
KV278	Anochrome	Two-Piece Top Clip	10
KV277	Anochrome	One-Piece Bottom Clip	10

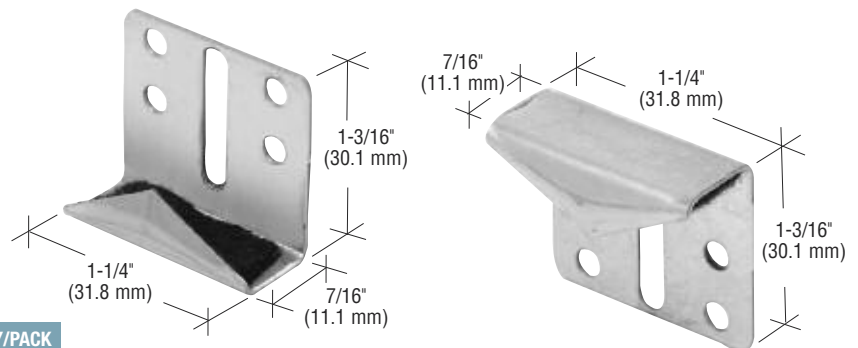
Minimum order: 10 each (box quantity). Can be combined with all other Mirror Clips for quantity pricing.



CRL Designer Clip

- Attractive Decorative Design
- Stainless Steel Finish
- Slotted Back

These CRL Designer Clips have a beveled lip and a built-in cushion to protect the mirror edge. The channel measures a full 7/16" (11.1 mm), and the slotted back allows for height adjustments.



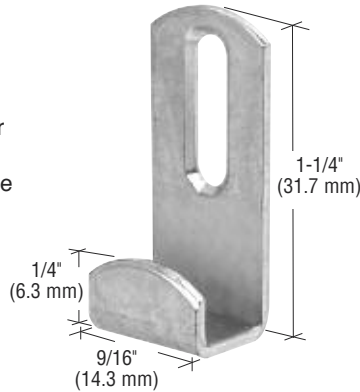
CAT. NO.	FINISH	DESCRIPTION	QTY/PACK
SL60	Stainless Steel	Designer Clip	100

Minimum order: 100 each. Can be combined with all other Mirror Clips for quantity pricing.

CRL Slotted Anochrome Mirror Clip

- Attractive and Adjustable
- Anochrome Plated
- Rust Resistant

These CRL Slotted Anochrome Mirror Clips are not only attractive and adjustable, but are treated to prevent rust and corrosion. The Clip has a slotted back to allow for height adjustments. Made of 15 gauge solid brass in an anochrome finish, the Clip is 9/16" (14.3 mm) wide and 1-1/4" (31.7 mm) long, with a 1/4" (6.3 mm) high lip.



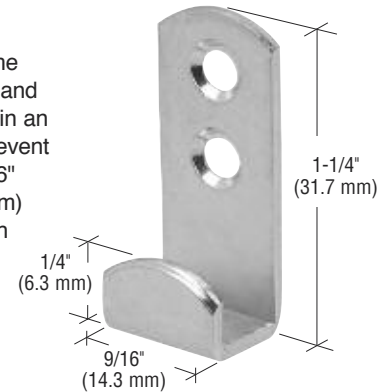
CAT. NO.	CHANNEL SIZE	QTY/PACK
KV318	5/16" (8 mm)	100

Minimum order: 100 each. Can be combined with all other Mirror Clips for quantity pricing.

CRL Standard Anochrome Mirror Clip

- Attractive and Easy to Use
- Anochrome Plated
- Rust Resistant

These CRL Standard Anochrome Mirror Clips are strong, attractive, and easy to use. Made of solid brass in an anochrome finish processed to prevent rust and corrosion, this Clip is 9/16" (14.3 mm) wide by 1-1/4" (31.7 mm) long, and has a 1/4" (6.3 mm) high lip. Two countersunk holes for mounting screws.



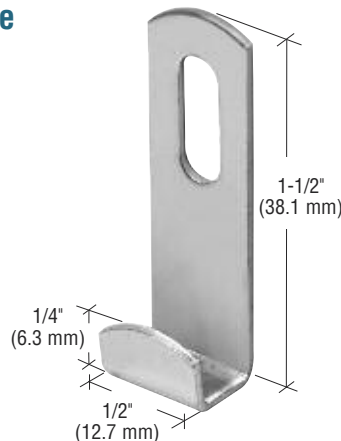
CAT. NO.	CHANNEL SIZE	QTY/PACK
KV309	5/16" (8 mm)	100

Minimum order: 100 each. Can be combined with all other Mirror Clips for quantity pricing.

CRL Slotted Round Lip Mirror Clips

- Available in Three Sizes
- Attractive and Adjustable
- Rust Resistant

These CRL Slotted Round Lip Mirror Clips were designed with a slotted back to allow for height adjustments. Fabricated from 16 gauge nickel plated steel, the Clip is 1/2" (12.7 mm) wide and 1-1/2" (38.1 mm) long.



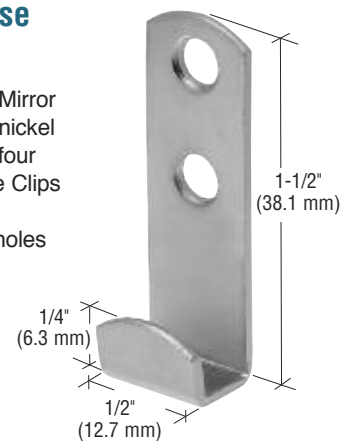
CAT. NO.	CHANNEL SIZE	QTY/PACK
062C14	1/4" (6 mm)	100
062C516	5/16" (8 mm)	100
062C38	3/8" (10 mm)	100

Minimum order: 100 each. Can be combined with all other Mirror Clips for quantity pricing.

CRL Standard Round Lip Mirror Clips

- Available for Four Thicknesses of Material
- Attractive and Easy to Use
- Rust Resistant

These CRL Standard Round Lip Mirror Clips are fabricated from 16 gauge nickel plated steel. Available for use with four different thicknesses of material, the Clips are 1/2" (12.7 mm) wide and 1-1/2" (38.1 mm) long. Two countersunk holes for mounting screws.



CAT. NO.	CHANNEL SIZE	QTY/PACK
100A14	1/4" (6 mm)	100
100A516	5/16" (8 mm)	100
100A38	3/8" (10 mm)	100
100A12	1/2" (12 mm)	100

Minimum order: 100 each. Can be combined with all other Mirror Clips for quantity pricing.

CRL Goss Mirror Mounting Clip Set

- Swivel Action Adjustment
- Easy to Install
- Nickel Plated

This CRL Goss Mirror Mounting Clip Set is designed for easy installation with 1/4" (6 mm) mirror. It has an Upper Clip that works on a swivel action that is adjusted downward when the bottom edge is firmly in place. The Lower Clips need to be securely anchored to the wall with two screws. Attractive nickel plated appearance.



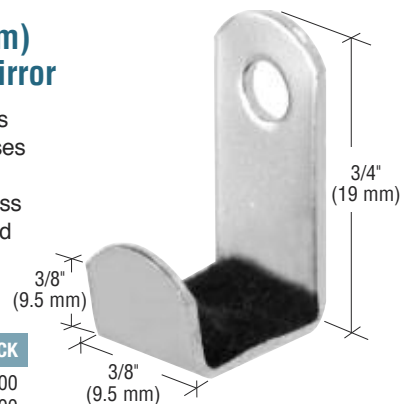
CAT. NO.	CHANNEL SIZE	QTY/PACK
080	1/4" (6 mm)	4 Per Set

Minimum order: 100 each. Can be combined with all other Mirror Clips for quantity pricing.

CRL Felt-Lined Mirror Clips

- Felt Cushion to Prevent Chipping
- Sizes for 3/8" (10 mm) and 1/2" (12 mm) Mirror

CRL's Felt-Lined Mirror Clips accommodate mirror thicknesses of 3/8" or 1/2" (10 or 12 mm). The felt lining cushions the glass to prevent chipping. Fabricated from 20 gauge steel, the clips are nickel plated to prevent corrosion.



CAT. NO.	CHANNEL SIZE	QTY/PACK
350L38	3/8" (10 mm)	100
350L12	1/2" (12 mm)	100

Minimum order: 100 each. Can be combined with all other Mirror Clips for quantity pricing.

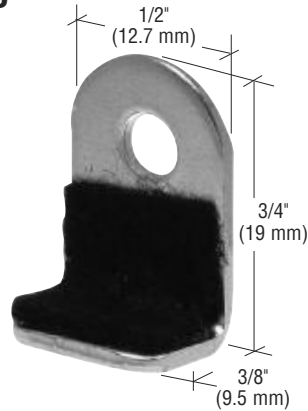
CRL 3/4" Metal L-Clip With Felt Lining

- Felt Lined to Prevent Chipping

These CRL Metal L-Clips are fabricated from 16 gauge steel and have a felt liner to reduce chipping of mirror edges. Simple and easy to use.

CAT. NO.	FINISH	QTY/PACK
8W	Nickel Plated	100

Minimum order: 100 each. Can be combined with all other Mirror Clips for quantity pricing.



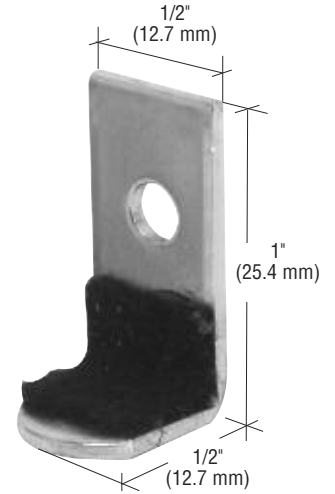
CRL 1" Metal L-Clip With Felt Lining

- Felt Lined to Prevent Chipping

These CRL Metal L-Clips are fabricated from 16 gauge steel and have a felt liner to reduce chipping of mirror edges. Punched hole makes them easy to install.

CAT. NO.	FINISH	QTY/PACK
30N	Nickel Plated	100

Minimum order: 100 each. Can be combined with all other Mirror Clips for quantity pricing.



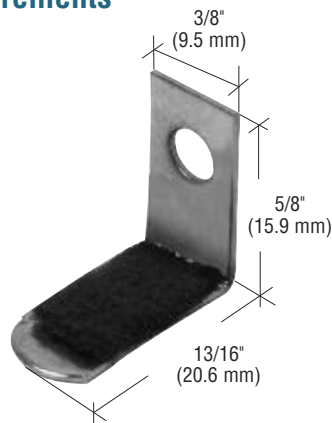
CRL 13/16" Bendable L-Clip

- Bendable to Your Requirements
- Felt Lined to Protect Against Scratching

The CRL Bendable L-Clip is designed to bend to your exact dimensional specification. Felt lined to minimize scratching, this Clip is fabricated from 20 gauge steel.

CAT. NO.	FINISH	QTY/PACK
420A	Nickel Plated	100

Minimum order: 100 each. Can be combined with all other Mirror Clips for quantity pricing.



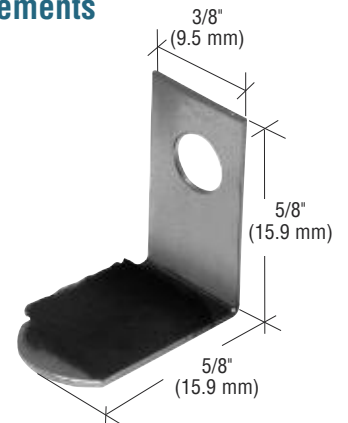
CRL 5/8" Bendable L-Clip

- Bendable to Your Requirements
- Felt Lined to Protect Against Scratching

This CRL L-Clip is designed to bend, allowing the installer to customize the bend to accommodate the job requirements. The Clip is fabricated from 24 gauge steel, and is felt lined to protect the mirror from scratching.

CAT. NO.	FINISH	QTY/PACK
380L	Nickel Plated	100

Minimum order: 100 each. Can be combined with all other Mirror Clips for quantity pricing.



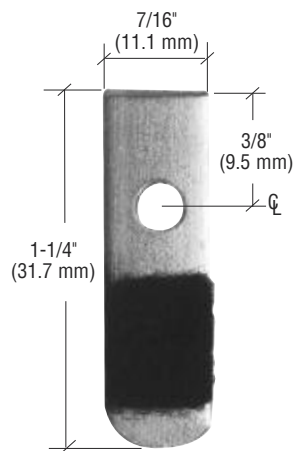
CRL 1-1/4" Bendable Flat Clip

- Fully Adjustable
- Can Be Bent to Fit Any Requirement

The CRL Bendable Flat Clip is designed to be fully adjustable, and has the capability to be bent to fit any angle or dimensional requirement. Felt lined, CRL's Bendable Flat Clip is fabricated from 20 gauge steel. The felt pad is 5/8" x 7/16" (15.9 x 11.1 mm).

CAT. NO.	FINISH	QTY/PACK
262A	Nickel Plated	100

Minimum order: 100 each. Can be combined with all other Mirror Clips for quantity pricing.



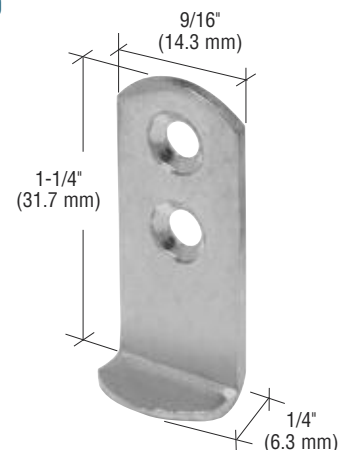
CRL 1-1/4" Metal L-Clip

- Our Most Popular L-Clip
- Attractive Anochrome Metal Finish

This CRL L-Clip is attractively designed and plated with an anochrome finish processed to prevent rust and corrosion. Countersunk holes for mounting screws to give your mirror installation that finished look.

CAT. NO.	FINISH	QTY/PACK
KV306	Anochrome	100

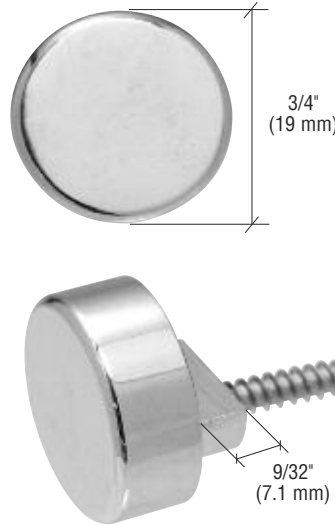
Minimum order: 100 each. Can be combined with all other Mirror Clips for quantity pricing.



CRL Round Mirror Clips

- **3/4" (19 mm) Diameter Clips for Use With 1/4" (6 mm) Mirror**
- **Available in Three Finishes**
- **Supplied With Wood Screws and Anchors**

CRL Round Metal Mirror Clips have a unique design for 1/4" (6 mm) mirror. These Round Clips use a brass cap that fastens to a screw-on base. This is attached to the wall to conceal the screw head. Supplied with #8 x 1-1/4" (31.7 mm) Flat Head Wood Screws and Plastic Anchors.



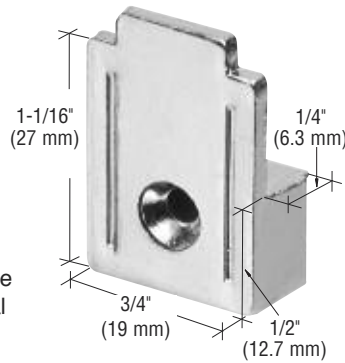
CAT. NO.	FINISH	QTY/PACK
MC02BR	Polished Brass	4 Clips Per Set
MC02BN	Brushed Nickel	4 Clips Per Set
MC02CH	Chrome	4 Clips Per Set

Minimum order: 1 each. Can be combined with all other Mirror Clips for quantity pricing.

CRL Polished Chrome Look Metal Mirror Clip

- **Attractively Styled Metal Clips**
- **Easy to Install**

These CRL Chrome Look Metal Mirror Clips are designed for 1/4" (6 mm) mirror. These Metal Clips are fast and easy to install, and give your mirror project that professional look. Packed 12 per box.



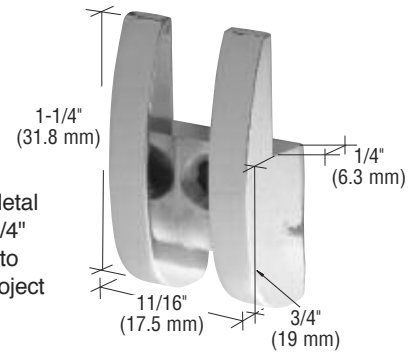
CAT. NO.	FINISH	QTY/PACK
KV266	Polished Chrome	12

Minimum order: 12 each. Can be combined with all other Mirror Clips for quantity pricing.

CRL Polished Chrome Look Metal Mirror Clip

- **Attractively Styled Metal Clips**
- **Easy to Install**

These CRL Chrome Look Metal Mirror Clips are designed for 1/4" (6 mm) mirror. Fast and easy to install, they give your mirror project that professional appearance. Packed 12 per box.



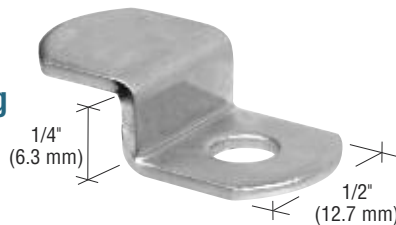
CAT. NO.	FINISH	QTY/PACK
KV268	Polished Chrome	12

Minimum order: 12 each. Can be combined with all other Mirror Clips for quantity pricing.

CRL Offset Mirror Clip for 1/4" Glass

- **Offset 1/4" (6.3 mm) Step**
- **Ideal for Mounting Mirrors Behind Wood Frames or On Doors**

These CRL Offset Mount Clips are used primarily for installing glass and mirror behind wood frames or doors. 1/2" (12.7 mm) wide in .050" (1.3 mm) thickness.



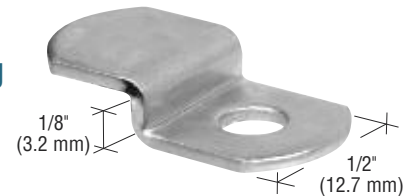
CAT. NO.	FINISH	QTY/PACK
Z44	Zinc Plated	100

Minimum order: 100 each. Can be combined with all other Mirror Clips for quantity pricing.

CRL Offset Mirror Clip for 1/8" Glass

- **Offset 1/8" (3.2 mm) Step**
- **Ideal for Mounting Mirrors Behind Wood Frames or On Doors**

These CRL Offset Mirror Clips are used primarily for installing glass and mirror behind wood frames or doors. 1/2" (12.7 mm) wide in .050" (1.3 mm) thickness.



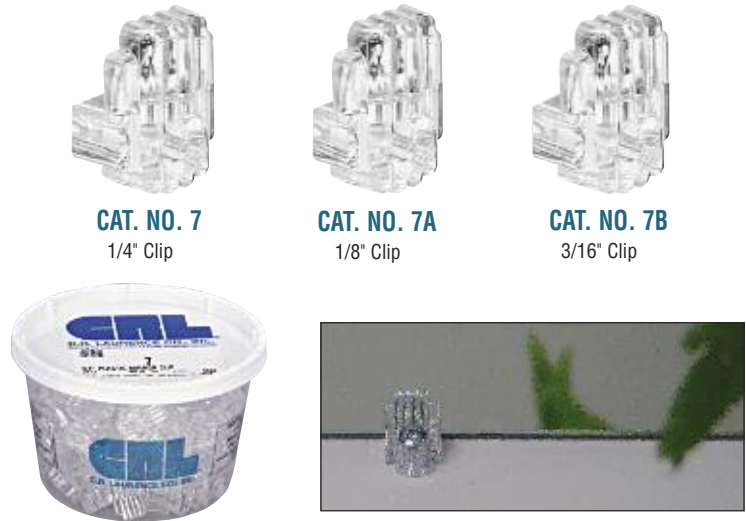
CAT. NO.	FINISH	QTY/PACK
Z45	Zinc Plated	100

Minimum order: 12 each. Can be combined with all other Mirror Clips for quantity pricing.

CRL Clear Plastic Mirror Clips

- An Industry Favorite Used for Decades
- Crystal Clear Clip Comes in Three Sizes

These attractive, CRL Clear Plastic Mirror Clips have always been a favorite style of mirror installers everywhere. Stylish and functional, they are commonly used to secure door, wall, and vanity mirrors. Clips accommodate a #6 Oval Head Screw (see below).



CAT. NO. 7
1/4" Clip

CAT. NO. 7A
1/8" Clip

CAT. NO. 7B
3/16" Clip

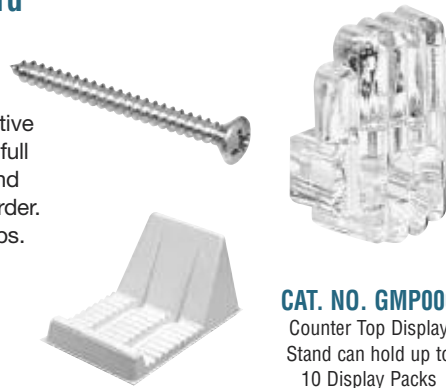
CAT. NO.	CLIP SIZE	QTY/BOX
7	1/4" (6 mm)	100
7A	1/8" (3 mm)	100
7B	3/16" (5 mm)	100

Minimum order: 1 each. Can be combined with all other Mirror Clips for quantity pricing.

CRL Clear Plastic Mirror Clips in Display Packs

- Display on Sales Counter or Hang on Pegboard
- Clips and Screws in One Package

Make CRL Clear Plastic Mirror Clips available to your retail customers. We've packaged our most popular Clips in an attractive retail blister pack. Each pack includes six Clips, six Screws, and full installation instructions. The self-selling Counter Top Display Stand for easy, over the counter sales is included with every 10-pack order. One box contains 10 packs of either 1/4" or 1/8" (6 or 3 mm) Clips.



CAT. NO.	CLIP SIZE	PACKS/BOX
7P	1/4" (6 mm)	10
7AP	1/8" (3 mm)	10

Minimum order: 1 pack. Sizes can be combined for quantity pricing. Also available in polybag without header cards for bulk use or inclusion in retail packages. Minimum order: 5000 polybag packs.

CAT. NO. GMP000
Counter Top Display Stand can hold up to 10 Display Packs



Blister card makes it easy for you to offer these popular Mirror Clips to your customers

CRL Mirror Clip, Screw, and Anchor Sets

- Our Most Popular Clear Plastic Mirror Clips, Oval Head Screws, and Anchors Economically Packed in Quantities of 1000 Sets

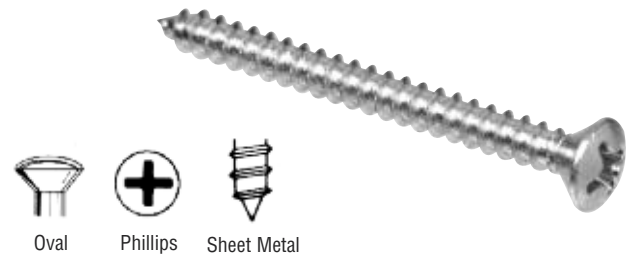
Clear Plastic Mirror Clips are also pre-packaged in quantities of 1000 sets to afford you cost savings. Bulk packaging includes Mirror Clips, #6 x 1-1/2" (38 mm) Oval Head Phillips Sheet Metal Screws, and 3/16" (5 mm) hole size Plastic Anchors. They are available in two popular sizes for 1/8" or 1/4" (3 or 6 mm) mirror.



CAT. NO.	CLIP SIZE	QTY/BOX
7WSA	1/4" (6 mm)	1000 Sets
7AWSA	1/8" (3 mm)	1000 Sets

Minimum order: 1000 sets. Sizes can be combined for quantity pricing.

CRL Oval Head Phillips Mirror Clip Screws



These Oval Head Phillips Screws have a bright zinc finish. Oval heads are perfect for a flush fit in our Plastic Mirror Clips. For other sizes of screws, visit crlaurence.com.

CAT. NO.	SIZE	QTY/BOX
6X10HPSMS	6 x 1" (25 mm)	100 or 1000
6X1140HPSMS	6 x 1-1/4" (32 mm)	100 or 1000
6X1120HPSMS	6 x 1-1/2" (38 mm)	100 or 1000

Minimum order: 100 each. All screws can be combined for quantity pricing.

CRL Square Beveled Clear Plastic Mirror Clips

- Crystal Clear Clips in Sizes for 1/8" or 1/4" (3 or 6 mm) Mirrors

CRL Square Beveled Clear Plastic Mirror Clips are the stylish and secure way to mount door, wall, and vanity mirrors. Crystal clear so they're attractive without being obtrusive. Clips accommodate #6 Oval Head Screws (see page 460J).

CAT. NO.	CLIP SIZE	QTY/BOX
803	1/4" (6 mm)	100
803C	1/8" (3 mm)	100

Minimum order: 100 each. Can be combined with all other Mirror Clips for quantity pricing.



CAT. NO. 803
1/4" Clip



CAT. NO. 803C
1/8" Clip

CRL Plastic Side Mount Mirror Clip

- Stylish and Functional
- Crystal Clear

Side Mount Clips are used to mount mirrors, glass or other flat materials to 3/4" (19 mm) plywood. Screw is inserted in side of plywood, leaving an overlap of 3/8" (10 mm) to secure the panel. The exposed tip has a stylish bevel. They accommodate #6 Oval Head Screws (see page 460J).

CAT. NO.	CLIP SIZE	QTY/BOX
815C	3/8" (10 mm) Lip	100

Minimum order: 100 each. Can be combined with all other Mirror Clips for quantity pricing.



CAT. NO. 815C
Side Mount Clip



CRL Toggler® SnapSku® Self-Drilling Drywall Anchors

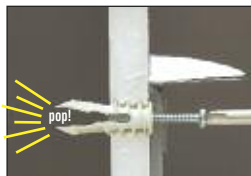
- Works in 3/8", 1/2" or 5/8" (10, 13 or 16 mm) Thick Drywall
- Audible "Pop" Indicates Correct Install



CRL Toggler® SnapSku® Self-Drilling Anchors are designed to preserve drywall integrity at installation as well as when the item and screw are removed. Screws can be backed out and changed if needed without the Anchor coming out of the wall!



STEP 1: Place #2 Phillips driver or bit into recess of SnapSku®



STEP 2: Place fixture into position over SnapSku®, insert screw and tighten.

CAT. NO.	TYPE	SCREW SIZE
TA3003	SnapSku® MINI	#6 – 8
TA3003S	SnapSku® MINI with Screws	#6 x 1-1/4" Pan Head Phillips
TA3001	SnapSku® Regular	#6 – 10
TA3001S	SnapSku® Regular with Screws	#8 x 1-1/2" Pan Head Phillips

Minimum order is 100 each. Order in increments of 100. Sizes can be combined for quantity pricing.

Toggler and SnapSku are registered trademarks of Mechanical Plastics Corp.

CRL Plastic Screw Anchors

- Our Best Selling Plastic Anchors
- Available With or Without Shoulders

Designed to be used with wood or sheet metal screws, their multiple-ribbed construction ensures secure holding power in hard or soft materials, from concrete to plaster. Available in two styles: the shoulderless anchors will fit flush to the surface; the type with shoulders keep the anchor from slipping through the hole. 3/16" and 1/4" (5 and 6 mm) sizes accommodate screw sizes from #4 through #10.



With Shoulders

CAT. NO.	DRILL HOLE	SCREW SIZE	QTY/PACK
1329	3/16" (5 mm)	4 – 5 – 6	1000
P1329C	3/16" (5 mm)	4 – 5 – 6	100
1339	1/4" (6 mm)	8 – 10	500
P1339C	1/4" (6 mm)	8 – 10	100

Minimum order: 100 each on packs of 100. 1 pack on Bulk Packs of 500 and 1000. Sizes can be combined for quantity pricing.



Without Shoulders

CAT. NO.	DRILL HOLE	SCREW SIZE	QTY/PACK
1319	3/16" (5 mm)	4 – 5 – 6	1000
P1319C	3/16" (5 mm)	4 – 5 – 6	100
1349	1/4" (6 mm)	8 – 10	500
P1349C	1/4" (6 mm)	8 – 10	100

Minimum order: 100 each on packs of 100. 1 pack on Bulk Packs of 500 and 1000. Sizes can be combined for quantity pricing.

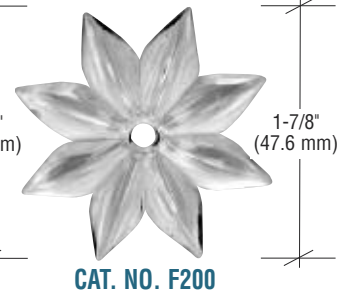
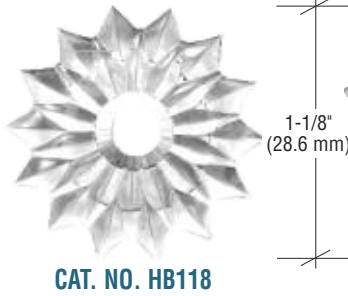
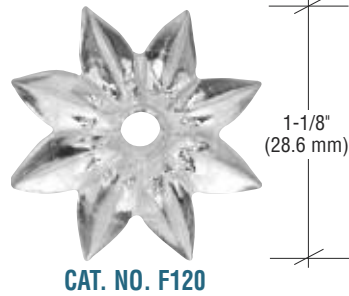
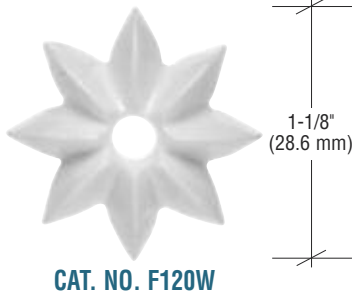
CRL MIRROR ROSETTES

For Pricing Visit crlaurence.com or Call Us Toll Free at the Phone Numbers Shown on the Back Cover

CRL Plastic Rosettes

• Attractive, Designer Quality

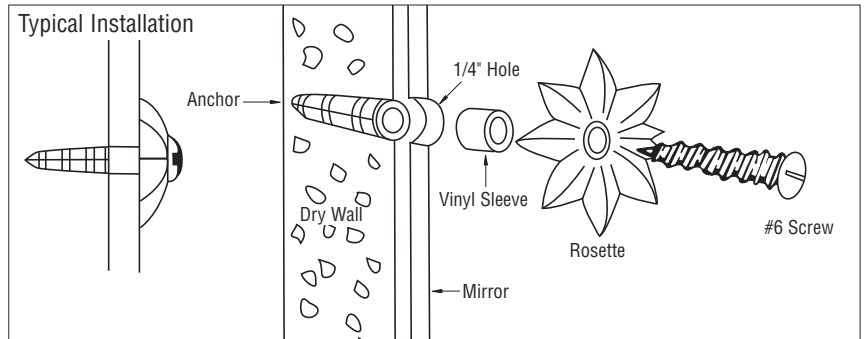
• Economical and Durable



These sturdy CRL Plastic Rosettes come in four styles and sizes. They add a decorative touch without obscuring areas of the mirror.

CAT. NO.	SIZE AND STYLE	QTY/PACK
F120W	1-1/8" (28.6 mm) White Star	100
F120	1-1/8" (28.6 mm) Clear Star	100
HB118	1-1/8" (28.6 mm) Clear Star	100
F200	1-7/8" (47.6 mm) Clear Star	100

Minimum order: 100 each. Can be combined with all other Mirror Rosettes for quantity pricing.



CRL Oval Head Rosette Screws



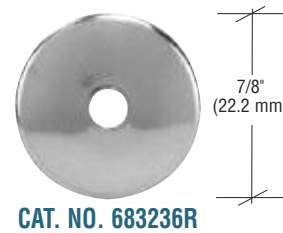
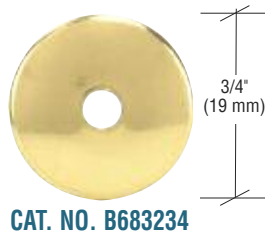
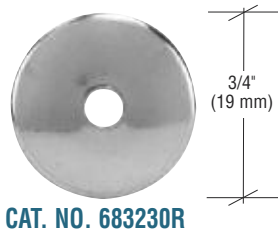
No. 6 Oval Head Nickel Plated Screws fit all Plastic Rosettes above.

CAT. NO.	SIZE	QTY/PACK
6X10HNPWS	#6 x 1" (25.4 mm)	100
6X1140HNPWS	#6 x 1-1/4" (31.7 mm)	100
6X1120HNPWS	#6 x 1-1/2" (38.1 mm)	100

Minimum order: 100 each. All Screws can be combined for quantity pricing.

CRL Metal Rosettes

• Stylish and Functional in a Variety of Finishes



Antique Silver (Shown)

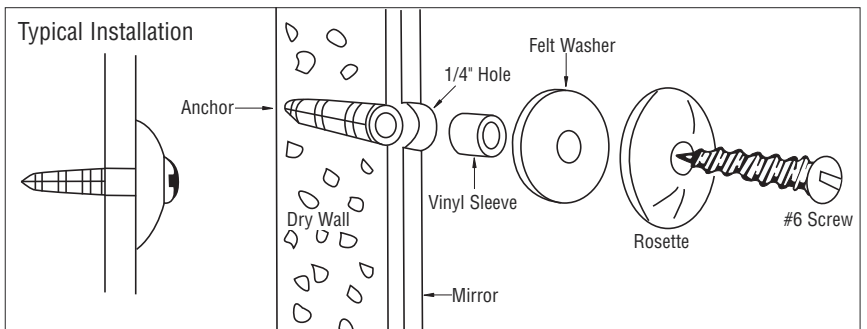
CAT. NO. 3011119

Antique Gold

A practical yet decorative way to install mirrors. CRL Metal Rosettes offer a variety of sizes and finishes. Chrome, antique, and brass finish Rosettes accept #6 Round Head Screws (see below).

CAT. NO.	SIZE AND STYLE	QTY/PACK
683230R	3/4" (19 mm) Round Chrome	100
B683234	3/4" (19 mm) Round Brass	100
8983	3/4" (19 mm) Antique Silver Floral	100
683236R	7/8" (22.2 mm) Round Chrome	100
8980	1" (25.4 mm) Antique Silver Floral	100
3011119	1" (25.4 mm) Antique Gold Floral	100

Minimum order: 100 each. Can be combined with all other Mirror Rosettes for quantity pricing.



CRL Round Head Rosette Screws



No. 6 Round Head Nickel Plated Screws fit all Metal Rosettes above.

CAT. NO.	SIZE	QTY/PACK
6X114RHPWS	#6 x 1-1/4" (31.7 mm)	100
6X112RHPWS	#6 x 1-1/2" (38.1 mm)	100

Minimum order: 100 each. All Screws can be combined for quantity pricing.

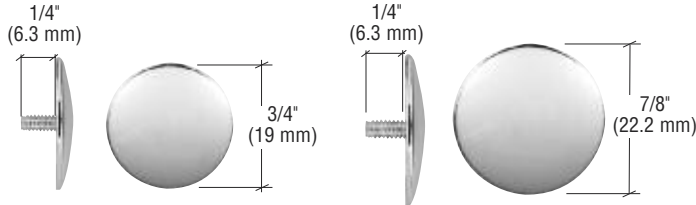


C.R. LAURENCE COMPANY

crlaurence.com | usalum.com

462J | crlaurence.ca crlaurence.com.au crlaurence.co.uk crlaurence.de crlaurence.eu

CRL Threaded Shank Rosettes



- **Highly Polished Chrome Finish**

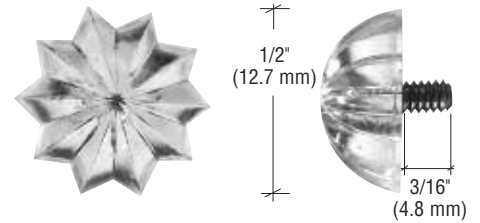
CRL's Threaded Shank Rosettes are a decorative method of installing mirrors. Designed to be used with our #3-48 threaded Tapped Head Wood Screws (see below).

CAT. NO.	FINISH	DIAMETER	QTY/PACK
683330R	Chrome	3/4" (19 mm)	100
683336R	Chrome	7/8" (22.2 mm)	100

Minimum order: 100 each. Can be combined with all other Mirror Rosettes for quantity pricing.

CRL Crystal Clear Plastic Buds

- **Outstanding Clarity**
- **Attractive and Economical**



CRL's Crystal Clear Plastic Buds are designed to be used with our #3-48 threaded Tapped Head Wood Screws (see below). These Clear Plastic Buds are attractive, economical, and can be used for a variety of mirror mounting applications.

CAT. NO.	FINISH	DIAMETER	QTY/PACK
50	Clear	1/2" (12.7 mm)	100

Minimum order: 100 each. Can be combined with all other Mirror Rosettes for quantity pricing.

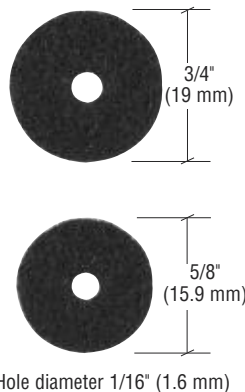
CRL Felt Washers

- **For Use Behind Metal Mirror Rosettes**

CRL 1/16" (1.6 mm) thick Felt Washers are used behind Metal Rosettes to provide protection for the mirror surface. The black color provides low visibility.

CAT. NO.	DIAMETER	QTY/PACK
7358	5/8" (15.9 mm)	100
7334	3/4" (19 mm)	100

Minimum order: 100 each. Sizes can be combined for quantity pricing.



Hole diameter 1/16" (1.6 mm)

CRL Vinyl Protective Sleeves

- **Protects Screw Holes in Mirror From Damage**



CRL Vinyl Sleeves are designed to protect drilled holes in glass and mirror from screw damage. Simply slide the sleeve onto the screw shank to prevent chipping and cracking around the edges of glass.

CAT. NO.	LENGTH	DIAMETER	QTY/PACK
1414	1/4" (6 mm)	1/4" (6 mm)	100

Minimum order: 100 each.

CRL Tapped Head Wood Screws



- **Accept Our Threaded Shank Rosettes and Buds**

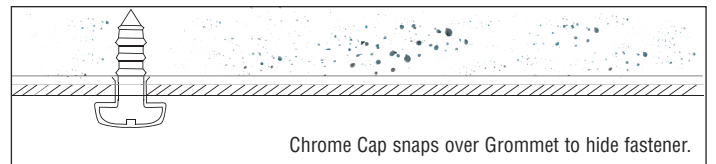
CRL Tapped Head Wood Screws accept our Clear Plastic Buds and Threaded Shank Rosettes. Install these screws with a slotted screwdriver. Tapped hole is #3-48 machine thread.

CAT. NO.	SIZE
TH34	#8 x 3/4" (19 mm)
TH35	#8 x 1" (25.4 mm)
TH36	#8 x 1-1/4" (31.7 mm)
TH37	#8 x 1-1/2" (38.1 mm)

Minimum order: 100 each. Can be combined with all other Sheet Metal Screws for quantity pricing.

CRL Mirror Grommets With Chrome Caps

- **Chrome Cap Hides Screw Heads When Hanging Mirrors**



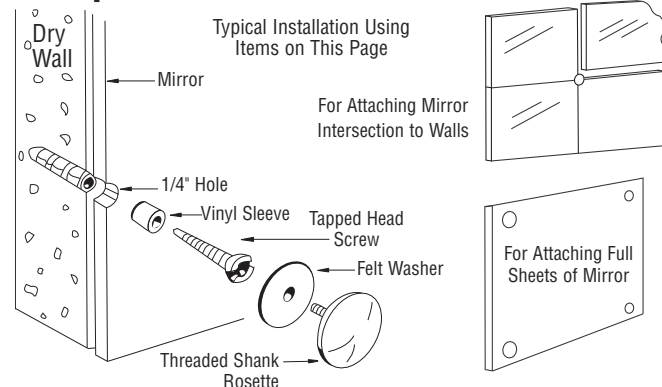
Chrome Cap snaps over Grommet to hide fastener.

CRL Mirror Grommets With Chrome Caps hold mirrors fastened to substrates in any position – even overhead. The grommet base fits into the drilled 5/16" (8 mm) hole in the mirror, the screw is inserted and tightened into the anchor, and the chrome colored cap is snapped on to finish the job. 100 sets (grommet and cap) per package.

CAT. NO.	CAP DIAMETER	CAP HEIGHT	QTY/PKG
MG40	5/8" (15.9 mm)	1/4" (6.3 mm)	100 Sets

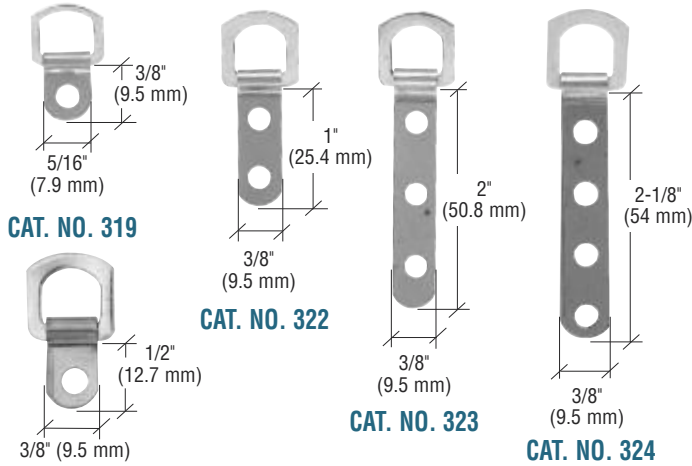
Minimum order: 1 package.

Examples of Use



CRL Safety Swivel Metal Hangers

- Zinc Plated Steel to Resist Rust
- Solid Seamless Eyelets



CAT. NO. 319
CAT. NO. 321
CAT. NO. 322
CAT. NO. 323

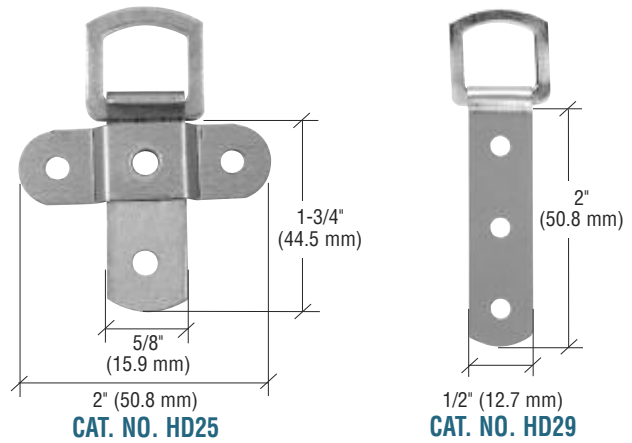
CRL's Safety Swivel Metal Hangers are designed to accommodate a variety of load sizes and capacities. Fabricated with solid seamless eyelets and a zinc on steel finish. Packaged in quantities of 100 and 1000.

CAT. NO.	HANGER TYPE
319	Small Single Hole Strap
321	Large Single Hole Strap
322	2-Hole Strap
323	3-Hole Strap
324	4-Hole Strap

Minimum order: 100 each. Can be combined with all other Metal Hangers for quantity pricing.

CRL Heavy-Duty Swivel Hangers

- Solid Seamless Eyelets
- Zinc Plated Steel to Resist Rust



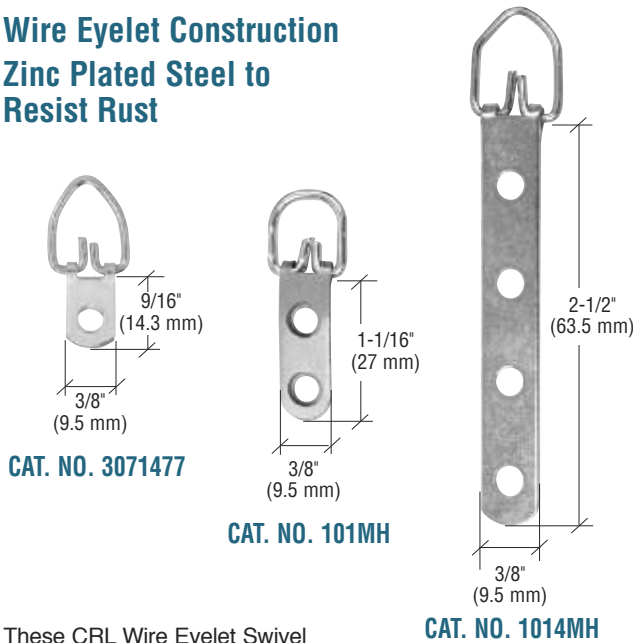
These CRL Heavy-Duty Swivel Hangers are available in two styles that will accommodate different load capacities. Fabricated with solid seamless eyelets and plated with zinc on steel finish. Packaged in quantities of 100 and 1000.

CAT. NO.	HANGER TYPE
HD25	Cross Strap Heavy-Duty
HD29	Single Strap Heavy-Duty

Minimum order: 100 each. Can be combined with all other Metal Hangers for quantity pricing.

CRL Wire Eyelet Swivel Type Hangers

- Wire Eyelet Construction
- Zinc Plated Steel to Resist Rust



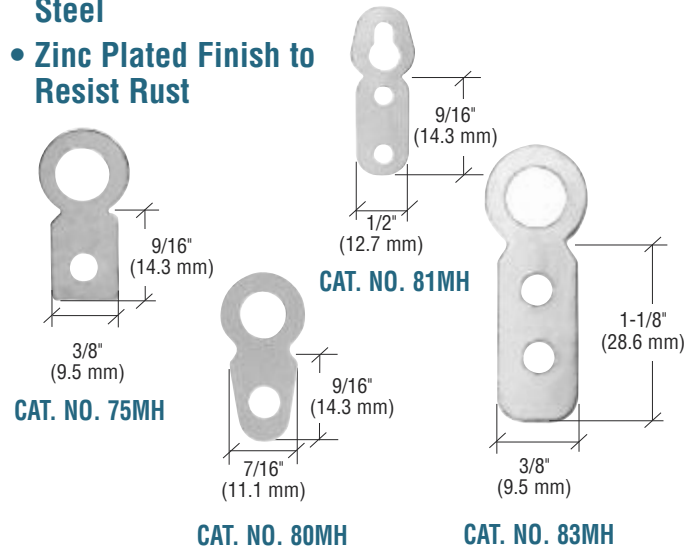
These CRL Wire Eyelet Swivel Hangers are available in three styles and sizes to accommodate different load capacities. All have plated finishes to resist rust and corrosion. Packaged in quantities of 100 and 1000.

CAT. NO.	HANGER TYPE
3071477	1-Hole Strap*
101MH	2-Hole Strap
1014MH	4-Hole Strap

Minimum order: 100 each. *Minimum order: 1 box, 100 per box. Can be combined with all other Metal Hangers for quantity pricing.

CRL Flat Metal Hangers

- One Piece Stamped Steel
- Zinc Plated Finish to Resist Rust



These CRL Flat Metal Hangers are intended to handle a variety of sizes and load capacities. All Hangers have plated finishes to resist rust and corrosion. Packaged in quantities of 100 and 1000.

CAT. NO.	HANGER TYPE
75MH	Small Round Eyelet
80MH	Small Oval Eyelet
81MH	Large Oval Eyelet
83MH	Large Round Eyelet

Minimum order: 100 each. Can be combined with all other Metal Hangers for quantity pricing.

CRL Wireless Hangers

- Can Be Adjusted to Level After Installation



NOTE: "Wireless" Hanger is nailed into the wall



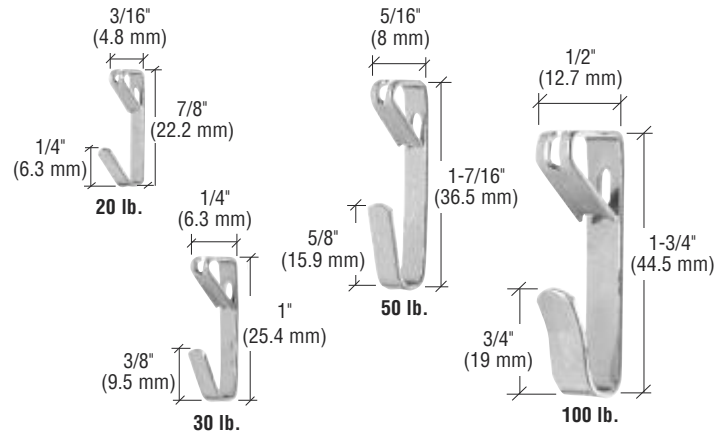
CRL's Wireless Hangers are designed to allow secure hanging of the heaviest mirrors or pictures. The leveling process is easily accomplished after installation with a Phillips screwdriver. Each card includes one pair of hangers and nails for wall mounting.

CAT. NO.	DESCRIPTION	QTY/PKG
3010	Carded Wireless Picture Hangers	10 Cards/Box
3010B	Bulk Carded Wireless Picture Hangers	100 Each/Box
U9131PB	Carded Packaged Wireless Picture	1 Pair/Pkg

Minimum order: 1 box of 3010; 100 each of 3010B; 1 package of U9131PB.

CRL Picture Hangers

- Bulk Packed With Nails



These CRL Picture Hangers are ideal for hanging framed pictures, signs or mirrors weighing up to the specified weight per hanger size. They are packed in bulk boxes including nails. Four different hook sizes are available, which will accommodate weight limitations from 20 to 100 pounds (9 to 45 kg).

CAT. NO.	CAPACITY	QTY/PKG
47976	20 lb. (9 kg)	1000
47977	30 lb. (13.6 kg)	1000
47979	50 lb. (22.7 kg)	1000
47980	100 lb. (45.4 kg)	100

Minimum order: 1 box. All Bulk Picture Hangers can be combined for quantity pricing.

CRL Molly Hooks

- High Quality
- Designed to Hang Framed Paintings

CRL Molly Hooks are typically fastened to walls using #6 screws and anchors (not included). This hook is designed to hang framed paintings, photos, plaques, signs, etc. The zinc plated steel hook is attractive, sturdy, and durable.



CAT. NO.	QTY/PKG
MH58	100

Minimum order: 100 each.

CRL Carded Picture Hangers

- Blister Cards for Counter or Wall Displays

Conveniently packed in blister cards which can be attractively displayed on a sales counter or pegboard. Weight limitations are indicated on each card. Carded Picture Hangers will accommodate weight variations from 10 to 100 pounds (4.5 to 45 kg).



CAT. NO.	DESCRIPTION	CARDS/CTN
47010	10 lb. (4.5 kg) Hanger, 8/Card	10
47020	20 lb. (9 kg) Hanger, 8/Card	10
47030	30 lb. (13.6 kg) Hanger, 6/Card	10
47050	50 lb. (22.7 kg) Hanger, 3/Card	10
47100	100 lb. (45.4 kg) Hanger, 2/Card	10

Minimum order: 1 carton. All Carded Hangers can be combined for quantity pricing.

CRL Toggler® Picture Wire Hook Anchors

- Fast, Safe, and Reliable Anchoring in Hollow or Solid Walls
- Use for Hanging Pictures and Mirrors



Toggler is a registered trademark of Mechanical Plastics Corp.

For fast, safe, and reliable anchoring, use CRL Toggler® Picture Wire Hook Anchors for hanging pictures and mirrors on hollow or solid walls. Key-activated positive locking action makes the anchor a rigid, weight-distributing truss, for the most secure hold on the wall. Can also be used to string TV cable or phone wire.

CAT. NO.	GRIP RANGE	QTY/PKG
T11012	3/8" to 1/2" (9.5 to 12.7 mm)	100

Minimum order: 100 each. Can be combined with all other Toggler® Anchors for quantity pricing.

CRL Hanger Wire

- Braided Wire Ideal for Hanging Framed Items
- High Quality Steel Wire

The CRL Hanger Wire is made from braided strands of high quality steel wire available in a variety of diameters that will support up to a maximum of 153 pounds (69.4 kg) before breaking. CRL's Hanger Wire is the perfect product for hanging framed pictures, paintings, mirrors, bulletin boards, and signs when using metal hangers or screw eyes. Approximately five pounds (2.3 kg) of wire comes on the metal spools, which can be mounted on a rod for convenient dispensing.

General Rule: Use Wire which has a break strength four times the weight of the item being hung.



CAT. NO. PW1



CAT. NO. PW2



CAT. NO. PW3



CAT. NO. PW4



CAT. NO. PW6



CAT. NO. PW8



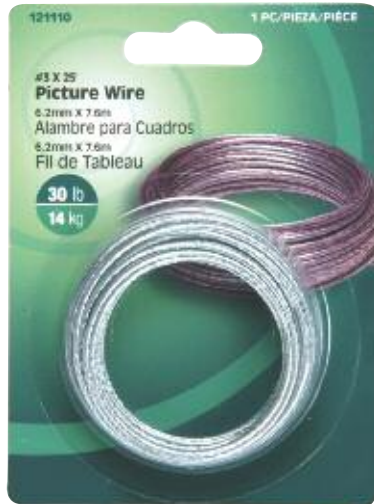
CAT. NO. PW822

CAT. NO.	SPOOL LENGTH	NO. OF STRANDS	BREAK STRENGTH
PW1	2250' (686 m)	8	34 lbs. (15.4 kg)
PW2	1500' (457 m)	12	51 lbs. (23 kg)
PW3	1125' (343 m)	16	68 lbs. (30.8 kg)
PW4	850' (259 m)	20	85 lbs. (38.6 kg)
PW6	625' (190 m)	28	119 lbs. (54 kg)
PW8	500' (152 m)	36	153 lbs. (69.4 kg)
PW822	575' (175 m)	Patented*	100 lbs. (45.4 kg)

Minimum order: 1 roll. All Picture Wire can be combined with for quantity pricing. Heavy wire braid recommended for mirror hanging. *Patent No. 2801565.

CRL Picture Wire

- Blister Packed for Retail Display
- Safe Work Load Up to 30 Pounds (14 kg)

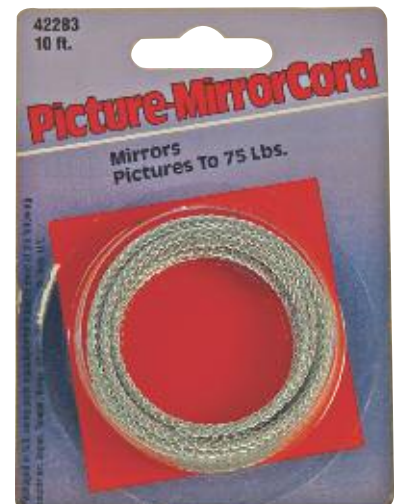


CRL Picture Wire comes conveniently blister packed for easy handling at your sales counter or wall display area. Number Three Picture Wire can be used to hang framed pictures up to 30 pounds (14 kg) when utilizing a sufficient hanger. 10 blister packed cards containing 25 feet (7.6 m) each per carton. Minimum order is one carton.

CAT. NO. 121110

CRL Mirror Cord

- Blister Packed for Retail Display
- Safely Holds Framed Mirrors Up to 75 Pounds (34 kg)

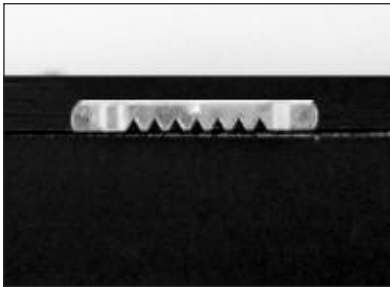


CRL Mirror Cord are shipped on a blister card that will also serve as an attractive counter or wall display. Intended to hang framed mirrors or pictures up to a maximum weight of 75 pounds (34 kg). Each pack contains 10 feet (3.05 m) of mirror cord. 10 blister packed cards per carton. Minimum order is one carton.

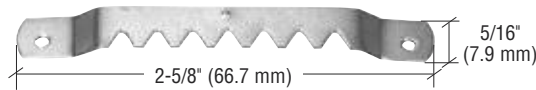
CAT. NO. 42283

CRL Steel Sawtooth Hangers

- Heavy-Duty Hangers Are Available With or Without Nails



CAT. NO. STH3
3-Notch Hanger



CAT. NO. STH7
7-Notch Hanger

These CRL Steel Sawtooth Hangers are available in both three and seven notch configurations. They are extremely popular for hanging picture frames, plaques, mirror frames and other wall-mounted décor. Hangers are very easy to install, simply nail them in place, and then hang the item.

You can order them in bulk, with or without Flat Head Nails; or in individual poly bags containing one Hanger and two Nails (to include in retail frame kits).

HANGERS WITH TWO NAILS EACH

CAT. NO.	NOTCHES	MINIMUM ORDER
STH3	3	100 Each
STH7	7	100 Each

BULK HANGERS WITHOUT NAILS

CAT. NO.	NOTCHES	MINIMUM ORDER
STH3BULK	3	1000 Each
STH7BULK	7	1000 Each

ONE HANGER WITH TWO NAILS PER BAG

CAT. NO.	NOTCHES	MINIMUM ORDER
STH7PACK1	7	100 Pack



FLAT HEAD NAILS

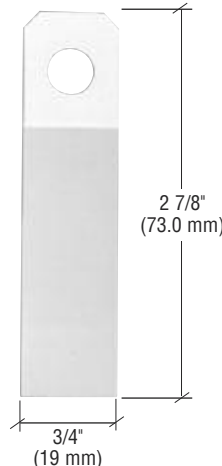
CAT. NO.	SIZE	UNIT/PKG
FH38	#18 x 3/8" (9.5 mm)	2000

Minimum order: 1 package.

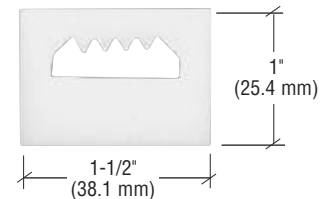
CRL Polyethylene Stick-On and Staple-On Hangers

- Ideal for Small Pictures or Decorator Items
- Non-Corrosive and Non-Conductive

These CRL Polyethylene Stick-On and Staple-On Hangers are the ideal method to hang small pictures or decorator items. Choose between pressure sensitive, high strength Stick-On Hangers, or the simple to use Staple-On configuration. These Hangers are non-corrosive and non-conductive.



CAT. NO. 2627
Adhesive Backed



CAT. NO. 26210
Staple-On Type

CAT. NO.	TYPE
2627	Adhesive Backed
26210	Staple-On

Minimum order: 100 each. All Polyethylene Hangers can be combined for quantity pricing.

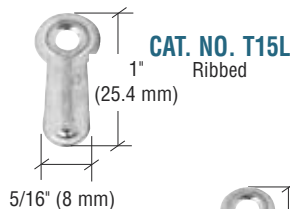
CRL Turn Buttons

- Perfect for Holding Items in Picture Frames

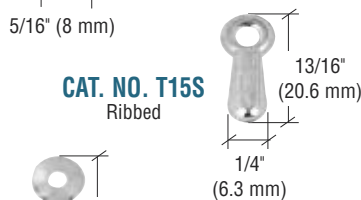
These CRL Turn Buttons are a very popular method of retaining materials in a picture frame. Simply tack the buttons to the rear of the frame moldings and turn into place.

CAT. NO.	SIZE
T15L	1" (25.4 mm) Ribbed
T15S	13/16" (20.6 mm) Ribbed
20BTB	1" (25.4 mm) Bent

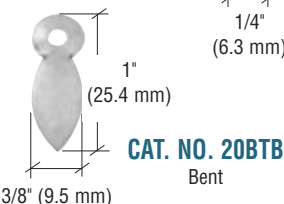
Minimum order: 100 each. All Turn Buttons can be combined for quantity pricing.



CAT. NO. T15L
Ribbed



CAT. NO. T15S
Ribbed



CAT. NO. 20BTB
Bent

CRL Glass Retainer Clip

- Secures Glass Panels in Wood Frame Doors
- Protective Plastic Tip Included

CRL's Glass Retainer Clip firmly holds glass panels in wood frame doors. The thumbscrew adjusts to various door and glass thicknesses and allows quick removal for cleaning. Simply surface mount on the inside of the door. The black clip includes a mounting screw and a protective plastic tip.



CAT. NO.	FINISH
GRC8351	Black

Minimum order: 100 each.

CRL Screw Eyes

- Plated to Resist Corrosion
- Available in Eight Sizes



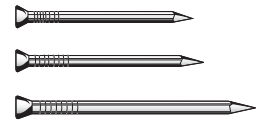
CRL's Screw Eyes come in an assortment of sizes to accommodate light to heavy hanger wire. All are plated to resist corrosion, and have sharp threaded points for easy tapping into wood frames.

CAT. NO.	EYELET I.D.	LENGTH	QTY/BOX
21712	1/8" (3.2 mm)	15/32" (11.9 mm)	200
21612	9/64" (3.6 mm)	1/2" (12.7 mm)	200
21512	9/64" (3.6 mm)	5/8" (15.9 mm)	200
21412	5/32" (4 mm)	5/8" (15.9 mm)	200
21312	11/64" (4.4 mm)	11/16" (17.5 mm)	200
21212	3/16" (4.8 mm)	3/4" (19 mm)	200
21112	13/64" (5.2 mm)	15/16" (23.8 mm)	200
21012	7/32" (5.6 mm)	1" (25.4 mm)	200

Minimum order: 200 each. Order in increments of 200. All Screw Eyes can be combined for quantity pricing.

CRL Wire Brads

- Used in the Assembly of Finished Wood Picture Frames or Cabinetry
- Sharp Points Aid Insertion With Hammer or Brad Pusher



CRL Wire Brads are used in the assembly of finished wood picture frames or cabinetry. Sharp points aid their insertion using a hammer or brad-setting pusher. All sizes are packed one pound (.45 kg) per box.

Wire Brad Gauges

#16		●
#17		●
#18		●
#19		●

CAT. NO.	SIZE
16X1BRAD	#16 x 1" (25.4 mm)
16X112BRAD	#16 x 1-1/2" (38.1 mm)
17X34BRAD	#17 x 3/4" (19 mm)
17X1BRAD	#17 x 1" (25.4 mm)
18X34BRAD	#18 x 3/4" (19 mm)
18X1BRAD	#18 x 1" (25.4 mm)
19X12BRAD	#19 x 1/2" (12.7 mm)
19X34BRAD	#19 x 3/4" (19 mm)

Minimum order: 1 box. All Wire Brads can be combined for quantity pricing.

CRL Brad Pusher

- Used to Insert Brads Into Wood Frame Molding



The CRL Brad Pusher is used to insert Wire Brads into wood frame molding. Simply position Brad, then push! It is inserted neatly and easily. Can also be used with a hammer for installing Brads into extra hard wood. Minimum order is one each.

CAT. NO. 74



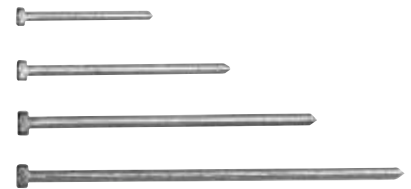
CRL Professional Electric Brad Nail Gun

- Shoots Four Sizes of Brad Nails
- A Great Tool for Business or Home Projects

CRL's Professional Electric Brad Nail Gun is perfect for installing any type of trim, moulding or general woodworking projects. This Brad Nail Gun has a powerful 14 amp motor along with a 10 foot (3 m) cord, and utilizes 5/8" (15 mm) to 1-1/4" (32 mm) Brad Nails. The specially designed nail channel prevents jamming. The Brad Nail Gun also features dual safety switches: surface contact and trigger lock. The non-marring bumper protects the trim surfaces. Includes carrying case. Minimum order is one each.



CAT. NO. ET200



Brad Nails for ET200 Gun

BRAD NAILS

CAT. NO.	LENGTH	QTY/BOX
3130058	5/8" (16 mm)	500
3130034	3/4" (19 mm)	2000
3130001	1" (25 mm)	2000
3130114	1-1/4" (32 mm)	2000

Minimum order: 1 box.

CRL Suction Cup Hooks and Clamps

- Made of Crystal Clear Vinyl
- Metal Hook Will Not Rust



CRL Vinyl Suction Cups contain UV stabilizers that protect the cup from yellowing in the sun. Cups generally adhere to smooth, non-porous surfaces with little effort. Designed to hold signs, crafts, thermometers, and so on. All sizes come 25 to a package. Minimum order is one package.

Mini Suction Cups With Metal Hooks

- 3/4" (19 mm) Diameter



Will hold 1/2 pound (.22 kg) of weight. Perfect for hanging small signs in windows. Minimum order is one package.

CAT. NO. ASC34HK

Small Suction Cups With Metal Hooks

- 1-1/8" (28.6 mm) Diameter



Designed for small ornaments or signs, these clear vinyl cups can hold up to 1 pound (.45 kg) safely. Minimum order is one package.

CAT. NO. ASC118HK

Medium Suction Cups With Metal Hooks

- 1-3/4" (44.5 mm) Diameter



The size of this cup allows for the holding of stained glass, bird feeders, thermometers, or just about anything that weighs up to 3 pounds (1.4 kg). Minimum order is one package.

CAT. NO. ASC134HK

Large Suction Cups With Metal Hooks

- 2-1/2" (63.5 mm) Diameter



This cup will carry seven to ten pounds (3.2 to 4.5 kg) of weight. Minimum order is one package.

CAT. NO. ASC212HK

Small Suction Cups With Clamps

- 1-1/8" (28.6 mm) Diameter



The metal clamp will hold small signs, notes or advertisements in its spring-loaded jaws. This small diameter cup will hold up to 1 pound (.45 kg). Minimum order is one package.

CAT. NO. ASC118MC

Medium Suction Cups With Clamps

- 1-3/4" (44.5 mm) Diameter



The metal clamp will hold larger signs or advertisements with its spring-loaded jaws. These medium diameter cups will hold up to 3 pounds (1.4 kg). Minimum order is one package.

CAT. NO. ASC134MC

Medium Suction Cups With Studs and Knurled Nuts

- 1-3/4" (44.5 mm) Diameter



The diameter of these medium-sized cups allow for holding power up to 3 pounds (1.4 kg). No. 8-32 threaded nut secures hanging items. Minimum order is one package.

CAT. NO. ASC134N

CRL Hangman® Mirror and Picture Hanging System

- Easy-to-Install System is Perfectly Level Every Time
- Available in Four Sizes
- Supports Up to 300 Pounds (136 kg)
- Interlocking Design Assures Mounting Stability
- High Strength Aluminum Won't Rust or Corrode
- Lets You Adjust Item Right or Left
- Ideal for Mounting Mirrors, Pictures, and Other Wall Décor



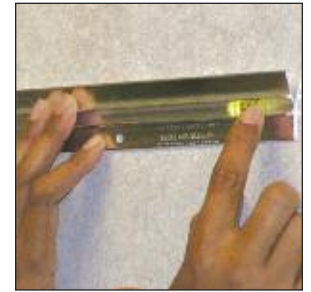
CRL now offers a unique, patented hardware system for hanging mirrors, pictures, and wall décor safe, easy, and secure. The Hangman® Mirror and Picture Hanging System features a removable bubble level that enables you to quickly and easily hang framed mirrors, pictures, and wall décor perfectly level each and every time.

The CRL Hangman® System is available in four different size widths and weight capacities: the 6" (152 mm) width holds up to 75 pounds (34 kg), the 10" (254 mm) width holds up to 100 pounds (45 kg), the 18" (457 mm) width holds up to 200 pounds (90 kg), and the 30" (762 mm) width holds up to 300 pounds (136 kg).

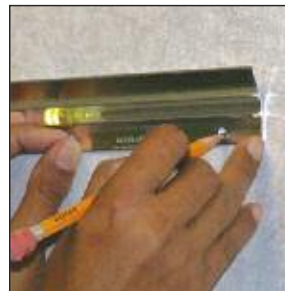
The Hangman® System comes complete with a removable bubble level and all the hardware (pan head phillips sheet metal screws and plastic anchors) needed for wall installations. The brackets are heavy-duty aluminum, and have mounting holes punched every 4" (101.6 mm) on center.



1. Attach Mounting Bracket to the back of item to be hung. For best results drill pilot holes and use screws.



2. Attach Wall Bracket to the wall using wall anchors, or screw into studs. Do not use nails. Attach one end first, then pivot until bubble is level.



3. Mark holes and install remaining wall anchors and screws into wall.



4. Remove level and hang item on Wall Bracket. You can slide item left or right for best centering.

CAT. NO.	SIZES	RATED FOR	QTY/PKG
HP6	6" (152 mm)	Up to 75 lbs. (34 kg)	6
HP10	10" (254 mm)	Up to 100 lbs. (45 kg)	6
HP18	18" (457 mm)	Up to 200 lbs. (90 kg)	6
HP30	30" (762 mm)	Up to 300 lbs. (136 kg)	6

Minimum order: 1 each. Sizes can be combined for quantity pricing.

CRL NoStud® Drywall Picture Hanger

- Supports Up to 200 Pounds (90 kg) in Drywall
- Works in 1/2" and 5/8" Thick Drywall
- Easy to Install - 25 Second Installation
- No Stud Needed for Installation
- Earthquake Tested

CRL now offers the "world's strongest" Drywall Picture Hanger, the NoStud® Drywall Picture Hanger. It is designed to work in 1/2" and 5/8" (12.7 and 15.9 mm) thick drywall, and supports up to 200 pounds (90 kg) with no stud needed for installation. It is very easy to install as it only takes three quick and easy steps. Picture Hangers come individually carded with five cards per carton. Minimum order is one carton.

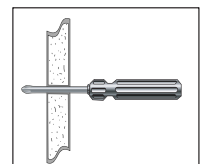
Hangman is a registered trademark of Hangman Products, Inc. NoStud is a registered trademark of Skorka, Richard.



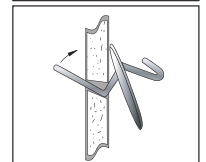
CAT. NO. 200NS

HOW IT WORKS:

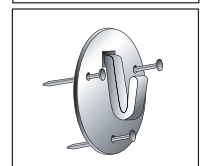
Step 1: Make a 1/4" (6.3 mm) hole with a screwdriver.



Step 2: Insert the NoStud® Picture Hanger.



Step 3: Secure in place using the three nails supplied with each Hanger.



CRL Fletcher® FrameMaster® Point Driver

- Quick Loading Reversible Point Magazine
- Uses 3/8" (9.5 mm) or 5/8" (16 mm) Points
- Adjustable Strike Force

Drive home Glazier's and Framers's Points with the CRL Fletcher® FrameMaster® Point Driver. It reliably drives wax-free stacked points straight and flat to the surface, one at a time, without double feeding or jamming. The easy-load magazine holds 100 points at a time. Unique design features a reversible magazine with a short nose for 3/8" (9.5 mm) Glazier's Points, or a long nose for the longer 5/8" (16 mm) Framers's Points.

A knurled adjustment screw allows easy tension adjustment: less force for soft woods and more force for hard woods. The 1/8" (3.2 mm) width of the point gives excellent holding power combined with a small profile for easy putty coverage of the Glazier's Points. The 5/8" (16 mm) Framers's Points are long enough to hold mat board and other picture frame backing materials securely in place while still being long enough for easy removal.

The lightweight yet durable plastic frame is designed to provide years of dependable service. Minimum order is one each.

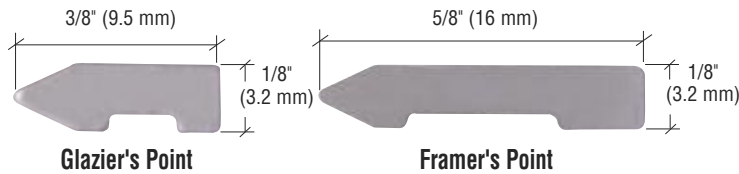


CAT. NO. FM075



CRL Fletcher® FrameMaster® Points

- Exclusively for the FrameMaster® Point Driver
- Wax-Free for a Strong Hold



CAT. NO.	DESCRIPTION	QTY/PK
FT898	3/8" (9.5 mm) Glazier's Points	5,000
FT895	5/8" (16 mm) Framers's Points	3,000

Minimum order: 1 package. All Glazing Points can be combined for quantity pricing.

CRL Fletcher® PullMate™ Point Removing Tool

- Removes Fletcher® FrameMaster® Points From Wood Frames



The CRL Fletcher® PullMate™ Point Removing Tool is a high-quality finishing tool specifically designed to remove Fletcher® FrameMaster® Points from wood frames. It has a rubberized raised grip that provides added comfort and helps protect framing materials. Minimum order is one each.

CAT. NO. 09517

Fletcher and FrameMaster are registered trademarks of The Fletcher-Terry Company.



CRL PD9 Diamond Point Driver

- All Metal Design
- Drives 5/16" Diamond Points
- Adjustable Strike Force

The best and fastest way to glaze wood sash is to start off with a CRL PD9 Diamond Point Driver. Secure the glass in place with CRL No. 1 Diamond Points and warm up the putty. Adjustable strike force allows the user to drive the points deeply enough in hard or soft wood frames to hold the glass with 1/8" (3.2 mm) of exposure over the glass. This low profile is easily covered during putty application.

The CRL PD9 is built with small rubber cushions on the base to make sure tool is perfectly angled to properly set the points. Minimum order is one each.

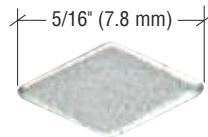


CAT. NO. PD9



CRL No. 1 Diamond Points

- Stacked Points Are Available in Two Package Quantities
- Works With Our PD9 Driver



CAT. NO. 1P

Our No. 1 size Universal Diamond Points fit into our PD9 Point Driver, and also into older model point drivers. Stacked points slide into the magazine for quick and easy reloading. Get them in Packs of 5,000 each or in Bulk Boxes of 45,000 containing nine Packs.

CAT. NO.	DESCRIPTION	TOTAL POINTS
NW1P	Package of 5/16" (7.8 mm) Diamond Points	5,000
1P	Package of 5/16" (7.8 mm) Diamond Points	5,000
1B	Box (9 Packages) of 5/16" (7.8 mm) Diamond Points	45,000

Minimum order: 1 package or 1 box.



CRL Points for Older Point Drivers and Manual Tools



Diamond Points



Triangle Points

We stock Diamond and Triangle Points for older model CRL and Fletcher brand Point Drivers. Stacked Diamond Points come in Packs of 4,000 each or in Boxes of 36,000 containing nine Packs.

NOTE: Triangle Points are not stacked, but shipped in bulk.

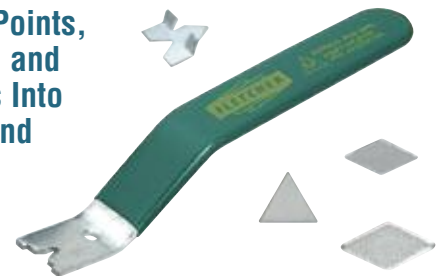
CAT. NO.	DESCRIPTION	SIZE	TOTAL POINTS
2P	Package of Stacked Diamond Points	1/2" (12.7 mm)	4,000
2B	Box (9 Packages) of Stacked Diamond Points	1/2" (12.7 mm)	36,000
NW5P	Package of Stacked No. 5 Triangle Points	3/8" (9.5 mm)	2,700
TP2	No. 2 Triangle Points Non-Stacked in Bulk	1/2" (12.7 mm)	1 lb. (.45 kg)
TP3	No. 3 Triangle Points Non-Stacked in Bulk	7/16" (11.1 mm)	1 lb. (.45 kg)

Minimum order: 1 package, 1 box, or 1 pound.

Fletcher is a registered trademark of The Fletcher-Terry Company, LLC.

CRL Fletcher® Point Tool

- Perfect Choice for Inserting Push Points, Triangle Points, and Diamond Points Into Wood Frames and Window Sash



The CRL Fletcher® Point Tool is a high quality finishing tool that is the perfect choice for inserting Push Points, Triangle Points, and Diamond Points into wood frames and window sash. It has a rubberized raised grip that provides added comfort and helps prevent damage to the mat board and other backing material. Minimum order is one each.

CAT. NO. 09515

CRL Easy Push Points

- Our Most Popular Push Points
- Packaged in Convenient Display Boxes for Over-the-Counter Sales
- Also Available in Bulk One Pound Containers

CRL Push Points install without the use of special tools, making them a favorite of glaziers and consumers. Just push them into place with a putty knife, chisel or slotted screwdriver. Use Push Points for wood sash glazing, greenhouses, picture frames, mirror frames, and more. They are zinc coated to resist corrosion, and available in two types of packaging; retail counter display containing twelve small packages, and one pound bulk containers for professional use.

NOTE: Cat. No. 30 Points consist of one retail display with 12 small packages containing approximately 50 push points (600 points total). One Cat. No. 31B bulk container holds approximately 1500 points.



CAT. NO. 30
Retail Display Push Points

CAT. NO. 31B
Bulk Push Points

CAT. NO.	PACKAGING
30	Retail Display of 12 Packages
31B	One Pound Bulk Container

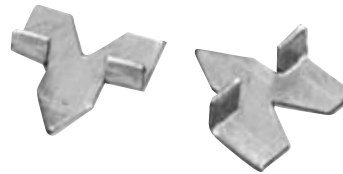
Minimum order: 1 each. All Glazing Points can be combined for quantity pricing.

CRL Push Points

- Packaged in Attractive Blister Cards for Retail Display
- Zinc Coated to Resist Corrosion

Popular CRL Push Points are available on attractive blister cards for retail display. Use them for fast, easy glazing of wood sash, picture frames, and more. Packaged for pegboard or wire rack display. Approximately 50 Push Points per card. 12 blister cards per carton. Minimum order is one carton.

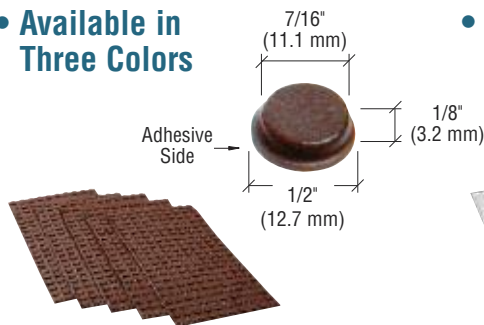
- Approximately 50 Push Points Per Blister Card



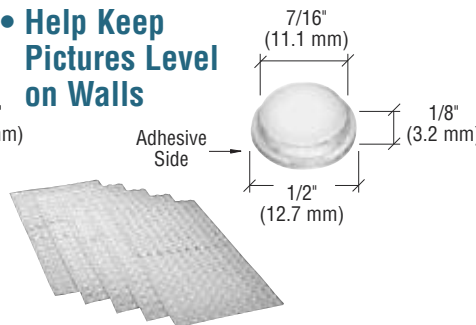
CAT. NO. 30C

CRL Protective Bumpads

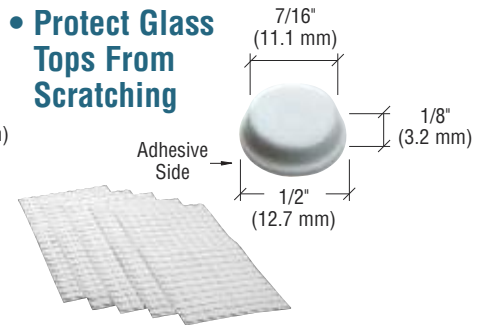
- Available in Three Colors



- Help Keep Pictures Level on Walls



- Protect Glass Tops From Scratching



The CRL Protective Bumpads provide a cushion wherever slamming, scratching, nicking, scuffing, sliding or vibration could present a problem. Serving a multitude of purposes, they can be used as spacers for cabinet doors, lids, and drawers.

Bumpads can help keep pictures level on a wall. They can also be used as 'feet' on the bottom of desktop calculators, telephones, clocks, speakers, or computers. Bumpads are excellent padding and cushioning for stacking glass or metal sheets. To use, simply peel and stick. Bumpads are packaged for economical convenience in packs of 1000, and the clear bumpads are also available in bulk cartons of 5000.

CONVENIENT PACKS OF 1000 BUMPADS

CAT. NO.	COLOR
BRB1PK	Brown
CB1PK	Clear
WB1PK	White

Minimum order: 1 pack.

ECONOMICAL CARTON OF 5000 BUMPADS

CAT. NO.	COLOR
CB1	Clear

Minimum order: 1 carton.

CRL Palmer Mirro-Mastic® in Cans

- The Industry Standard for High Quality Mastic
- Cures to a Strong, Permanent Bond
- Does Not Become Hard or Brittle With Age
- Palmer Application Guidelines Available

Palmer Mirro-Mastic® is an adhesive mastic formulated for adhering plate glass mirror and acrylic mirror to various substrates, such as drywall, wood, glass, metal, or tile. Mirro-Mastic® is ideal for large mirrored walls, columns and vanities. Mirro-Mastic® does not become hard or brittle with age. Unopened cans have a two-year shelf life. Mirro-Mastic® may be used with CRL Category Two Safety Tape Film (page 478J) that has been washed with a 70% solution of isopropyl alcohol (IPA). All applications must have permanent bottom support and mechanical fasteners. Palmer Mirro-Mastic® also qualifies for LEED® (Leadership in Energy and Environmental Design) Green Building Rating System™ credit.

NOTE: Use Mirro-Mastic® Bond (see page 475J) to seal porous substrates.

Coverage: With minimum coverage, one gallon will install approximately 130 square feet (12 square meters) of mirror. 130 to 135 golf ball size pats per gallon.

CAT. NO.	CONTENTS	QTY/CASE
PM201GL	1 Gallon (3.785 l)	4
PM205	5 Gallons (18.927 l)	1

Minimum order: 1 each.



CAT. NO. PM201GL
1 Gallon

CAT. NO. PM205
5 Gallons



CRL Palmer Mirro-Mastic® in Cartridges

- Same Formula as Above in the Convenience of a Cartridge

Palmer Mirro-Mastic® in cartridges is the same high quality adhesive mastic that is in the can, but with the convenience of a cartridge. It is formulated for adhering plate glass mirror and acrylic mirror to various substrates, such as drywall, wood, glass, metal, and tile. Mirro-Mastic® is ideal for large mirrored walls, columns, and vanities. It has a one-year shelf life. Mirro-Mastic® may be used with CRL Category Two Safety Tape Film (page 478J) that has been washed with a 70% solution of isopropyl alcohol (IPA). All applications must have permanent bottom support and mechanical fasteners. Palmer Mirro-Mastic® also qualifies for LEED® (Leadership in Energy and Environmental Design) Green Building Rating System™ credit.

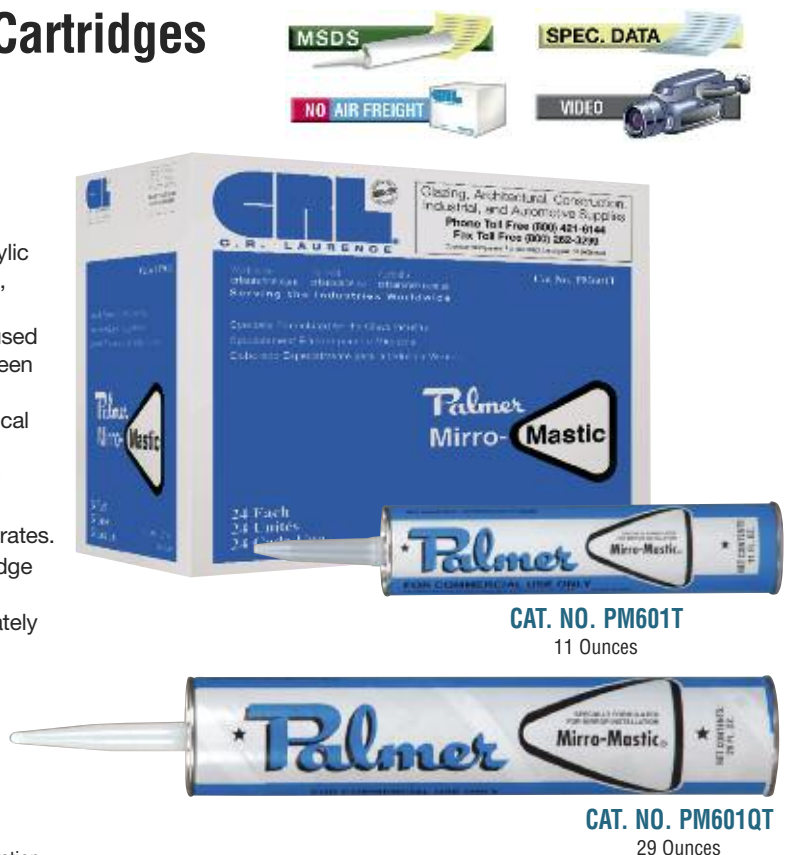
NOTE: Use Mirro-Mastic® Bond (page 475J) to seal porous substrates.

Coverage: With minimum coverage, one 29 ounce (857 ml) cartridge will install approximately 30 square feet (2.8 square meters) of mirror, and one 11 ounce (325 ml) cartridge will install approximately 12 square feet (1.1 square meters) of mirror.

CAT. NO.	CONTENTS	QTY/CASE
PM601T	11 Fl. Oz. (325 ml)	24
PM601QT	29 Fl. Oz. (857 ml)	12

Minimum order: 1 each. Cartridges can be combined for quantity pricing.

Mirro-Mastic is a registered trademark of Palmer Products Corporation.
LEED is a registered trademark of U.S. Green Building Council Non-Profit Corporation.



CAT. NO. PM601T
11 Ounces

CAT. NO. PM601QT
29 Ounces

CRL MIRROR MASTICS

For Pricing Visit crlaurence.com or Call Us Toll Free at the Phone Numbers Shown on the Back Cover

CRL Palmer QwikSet™ Mirro-Mastic®

- Fast Cure Time
- Ideal for Overlays and Beveled Strips

Palmer QwikSet™ Mirro-Mastic® is a fast curing adhesive mastic formulated for adhering plate glass mirror to various substrates, such as drywall, wood, glass, metal, or tile. QwikSet™ is ideal for mirror-to-mirror overlays, beveled strips, and mirrored furniture. At room temperature (72°F / 22°C), QwikSet™ will cure to 80 percent strength in 48 hours. It has a one-year shelf life from the date on the end of the cartridge. **NOTE:** Do not use on acrylic mirror, safety tapes or backings. Use sealer or primer on porous substrates, but not Palmer Mirro-Mastic® Bond.

SPEC. DATA

NO AIR FREIGHT

MSDS

VIDEO



CAT. NO.	CONTENTS	QTY/CASE
PM711N	10.1 Fl. Oz. (298 ml)	24

Minimum order: 1 each. Can be combined with all cartridge mastics for quantity pricing.

CRL Palmer Mastic Stik™

- Applicator and Remover for Palmer Mirro-Mastic®
- Lightweight, Yet Extremely Durable



Mastic Stik™ makes it easy to apply or remove mastic

The Palmer Mastic Stik™ has a scoop end with a chiseled tip, making it the ideal tool for the application or removal of Palmer Mirro-Mastic®. The scoop end is just the right size for recommended "pats" or "gobs" of mastic, and its chiseled edge lets you remove mastic without scratching mirror backing. Made of lightweight and durable PVC, the Mastic Stik™ measures 16-1/2" (419 mm) long. Chiseled scoop edge is 1-1/2" (38 mm) wide. Minimum order is one each.

CAT. NO. MS97



CRL Palmer Mirro-Mastic® Bond

- Made for Priming Wall Surfaces
- Apply With a Brush or Roller

MSDS

NO AIR FREIGHT

VIDEO



Palmer Mirro-Mastic® Bond is made specifically to seal porous wall surfaces prior to application of CRL Palmer Mirro-Mastic®. Use it to prime walls of wood, concrete, drywall, concrete block or brick before you apply Mirro-Mastic®. Apply with a brush or roller. It penetrates and seals walls, giving the best possible surface for mirror installations.

NOTE: Mirro-Mastic® Bond is not required for glazed porcelain or tile surfaces, nor for mirror-to-mirror installations. Use only with regular Palmer Mirro-Mastic®. Never use Mirro-Mastic® Bond with Palmer QwikSet™. **Coverage:** Approximately 400 square feet (37 square meters) per gallon.

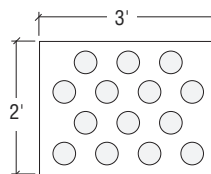
CAT. NO.	CONTENTS	QTY/CASE
PMB401GL	1 Gallon (3.785 l)	4

Minimum order: 1 each.

CRL Palmer Electric Mastic Applicator

Use the Palmer Mastic Applicator to scoop out regular Mirro-Mastic® in uniform size pats. The heated bowl scoops mastic directly from the can to apply either to the substrate or mirror panel. Applicator operates on 110V AC power, and is the most convenient way to apply CRL Palmer Mirro-Mastic®. When using this tool there are approximately 130-135 pats of mastic per gallon. Preferred application for proper spread of mastic is to apply pats in rows, spacing pats about 8" to 12" (203 to 305 mm) apart and 6" (152 mm) in from the edge of the mirror. Minimum order is one each.

Mirro-Mastic is a registered trademark of Palmer Products Corporation.



Typical Application of "Pats" on Mirror

- Heated Scoop Deposits Mastic in Uniform Size Pats

VIDEO



CAT. NO. 1234PA

CRL Gunther Mirror Mastics

- Two High Strength Formulas
- Extra/Build® Provides Build Out for Large Mirrored Walls
- Ultra/Bond® Compresses for Tight Tolerances Such as Overlays



Gunther Ultra/Bond® and Extra/Build® Mirror Mastics are high quality adhesives formulated to provide a strong, permanent bond between electro-copper-plated glass mirror and various substrates. Both have been field tested for compatibility with silver, copper, and mirror backing. Both have an easy working consistency year round, and will adhere to a wide variety of substrates including drywall, wood, metal, glass, marble, and tile. **NOTE:** Not for use on acrylic mirror. Use Cat. No. GN6 Gunther Prime-N-Seal Primer (see below) on all porous substrates. Application guidelines are available online for all Gunther products. Mechanical support systems are recommended for all mirror applications.

Gunther Ultra/Bond's viscosity provides for a build out of 3/4" (19 mm), and can be compressed to 1/32" (.8 mm) for mirror installations requiring close tolerances, such as overlays, mirrored furniture, and medicine cabinets. At 72°F (22°C) it achieves approximately 30% strength in 24 hours, full cure up to 605 psi in 30 days. It comes in 10.1 Fl. Oz. cartridges and one gallon cans.

Gunther Extra/Build's viscosity provides for a build out of 2-1/2" (63.5 mm) without sag for custom mirrored walls or vanities, where construction is such that there are gaps of over 3/4" (19 mm) between the mirror and the substrate. At 72°F (22°C) it achieves approximately 20% strength in 48 hours, full cure up to 300 psi in 30 days. It comes in 10.1 Fl. Oz. cartridges and one gallon cans.

10.1 FL. OZ. (299 ML) CARTRIDGES

CAT. NO.	TYPE	COLOR	QTY/CASE
GN100A	Ultra/Bond®	Cream	24
GN200A	Extra/Build®	Black	24

Minimum order: 1 each. Cartridges can be combined for quantity pricing.

ONE GALLON (3.785 L) CANS

CAT. NO.	TYPE	COLOR	QTY/CASE
GN101B	Ultra/Bond®	Cream	4
GN201B	Extra/Build®	Black	4

Minimum order: 1 each. Cartridges can be combined for quantity pricing.

CRL Gunther Premier® Plus Mirror Mastic

- Bonds to Porous and Non-Porous, Primed and Unprimed Surfaces
- Fast Permanent Bond, Yet Remains Very Flexible
- Ultra Low VOC (10 g/l)

Gunther Premier® Plus Mirror Mastic is a high-quality, urethane based adhesive formulated to provide a strong, permanent bond between electro-copper-plated glass mirror or acrylic mirror and various substrates, including CRL Brand Category II Safety Tape. It is a very versatile product that is ideal for high-traffic areas, such as gyms, dance studios, and commercial projects. It holds firm, yet absorbs movement, vibrations, and allows for thermal expansion and contraction. It can be built out to 2" (51 mm) for large mirrors or uneven wall jobs, or compressed to 1/16" (1.6 mm) for mirror installations requiring close tolerances, such as overlays, mirrored furniture, and medicine cabinets. Mechanical support systems are recommended for all mirror applications. This product also qualifies for the LEED® (Leadership in Energy and Environmental Design) Green Building Rating System™ credit.



Gunther Premier® Plus at 72°F (22°C) achieves approximately 30 percent strength in 24 hours, full cure in 7 days. Gunther Premier® Plus should be applied in 3/8" (9.5 mm) vertical beads, 5 to 6" (127 to 152 mm) apart and away from the edge to prevent squeeze out. Approximate coverage is 7 sq. ft. per cartridge.

CAT. NO.	COLOR	CONTENTS	QTY/CASE
GN105P	Gray	10.3 Fl. Oz. (304 ml)	12

Minimum order: 1 each. Can be combined with all cartridge mastics for quantity pricing.

CRL Gunther Prime-N-Seal Primer



- Enhances Adhesion of Mastics

Gunther Prime-N-Seal is a superior, quick drying acrylic primer and sealer designed to help eliminate mirror installation failure. It enhances the adhesion of mastics while protecting the mirror from substrate contaminates. Prime-N-Seal promotes exceptional adhesion to drywall, greenboard, cement, plaster, plywood, brick, and other substrates. It does not become brittle with age, is non-flammable, and does not contain environmentally damaging ingredients. Easy to apply by brush, roller or spray. Flat white appearance when dry.

CAT. NO.	CONTENTS	QTY/CASE
GN8	128 Fl. Oz. (3.785 l)	4

Minimum order: 1 each.



CRL Gunther Seal-Kwik Mirror Edge Sealer

- Seals and Protects Mirror Edges



Gunther Seal-Kwik has a safe, proven formula for protecting mirror edges from "black edge". Seal-Kwik goes on fast and easy with a sponge-dauber top, with no running, spilling or wasteful overspray. Seal-Kwik dries clear, and will not yellow or crack with age.

CAT. NO.	CONTENTS	QTY/CASE
GN4	4 Fl. Oz. (118 ml)	6

Minimum order: 1 each.



Gunther Extra/Build, Ultra Bond, and Premier are all registered trademarks of Royal Adhesives and Sealants, LLC. LEED is a registered trademark of U.S. Green Building Council Non-Profit Corporation.

CRL Heavy-Bodied Mirror Mastic

- **Reliable, Top-Quality Formula Comes Ready to Use**

CRL Heavy-Bodied Mirror Mastic is an adhesive mastic formulated for adhering plate glass mirror and acrylic mirror to various substrates, such as drywall, wood, glass, metal or tile. Ideal for large mirrored walls, columns, and vanities. May be used with CRL Category Two Safety Tape Film that has been washed with a 70% solution of isopropyl alcohol (IPA). All applications must have permanent bottom support and mechanical fasteners. Qualifies for **LEED**® (Leadership in Energy and Environmental Design) Green Building Rating System™ credit. **NOTE:** Use Mirro-Mastic® Bond to seal porous substrates (see page 475J).

CAT. NO.	CONTENTS	QTY/CASE
600GL	1 Gallon (3.785 l)	4

Minimum order: 1 gallon.



CRL Light-Bodied Mirror Mastic

- **Top-Quality Adhesive for Lightweight Mirrors or Mirror Tiles**

CRL Light-Bodied Mirror Mastic is a top quality adhesive. Use it to coat an entire mirror backing to hold pieces together in case of breakage. Use with Double Sided Mirror Mounting Foam Tape (see page 479J) for small mirror installations, or for J-Channel and Mirror Clip installations. It is not recommended for installations of heavy mirror panels or in overhead installations. All applications must have permanent bottom support and mechanical fasteners.

CAT. NO.	CONTENTS	QTY/CASE
300GL	1 Gallon (3.785 l)	4

Minimum order: 1 gallon.



CRL Liquid Nails® Adhesive

- **Bonds to All Common Building Materials**
- **Durable Bond That Stays Flexible**



CRL Liquid Nails® is a fast-bonding, superior quality, waterproof, rubber-based interior grade adhesive recommended for bonding plywood, hardboard, furring strips and molding, paneling, brick veneer, drywall, and cork board. **NOTE:** Liquid Nails® is not recommended for styrofoam, foam, plastic, marble or mirrors.

Liquid Nails® has a strong initial grab, and a working time of up to 10 minutes on clean and dry surfaces. One of the surfaces to be bonded must be porous. Applies with a standard caulking gun, and cleans up with mineral spirits.

CAT. NO.	CONTENTS	QTY/CASE
LN601	10 Fl. Oz. (296 ml)	24

Minimum order: 1 each. Can be combined with all cartridge sealants for quantity pricing.

Liquid Nails is a registered trademark of Akzo Nobel Paints LLC.

LEED is a registered trademark of U.S. Green Building Council Non-Profit Corporation.
Mirro-Mastic is a registered trademark of Palmer Products Corporation



CRL DAP® Construction Adhesive

new

- **Fast Setting- Quick Tack**
- **Waterproof - May be Used Indoors or Outdoors**



CRL DAP® Construction Adhesive will adhere to most rigid materials, such as iron, steel, wood, concrete, brick, tile, hard plastics, plaster, gypsum board, etc. Recommended applications include: paneling, hardboard, expanded polyurethane foam board, semi-rigid fiberglass insulation, decorative wood strips, metal tracks (shower enclosure), slate/composition blackboards, and F.R.P. board.

CAT. NO.	CONTENTS	QTY/CASE
DAP60480	1 Gallon (3.785 l)	4

Minimum order: 1 gallon.

DAP is a registered trademark of RPM International Inc.

CRL Category II Safety Backing Tape for Mirrors

SPEC. DATA

MSDS

- Makes Mirrors Shatter Resistant
- Keeps Glass Fragments From Causing Serious Bodily Damage Should Mirror Be Accidentally Broken
- Ready to Use and Easy to Apply

Category II Safety Backing Tape for Mirrors keeps glass fragments together should mirrors be accidentally broken. Comes in 600 foot (183 m) rolls, individually boxed for shipment by U.P.S., except for 60" (1524 mm) width, which must ship via common carrier. You can combine widths for quantity pricing. For specifications, go to our web site crlaurence.com.

This pressure-sensitive, adhesive coated film tape is primarily recommended for mirrored wardrobe doors that require a Category II Mirror Safety Backing. The woven scrim embedded in the film for high tensile and impact strength also prevents moisture entrapment and scrim delamination. The high performance adhesive allows for easy roll unwind, yet promotes high bond to a wide variety of mirror backings. Complies with ANSI Z97.1-1984 and 16CFR1201 for impact resistance.



Category II Safety Tape with Woven Scrim

- Available in Four Widths

CAT. NO.	WIDTH	ROLL LENGTH
2MT24	24" (610 mm)	600' (183 m)
2MT36	36" (914 mm)	600' (183 m)
2MT48	48" (1219 mm)	600' (183 m)
2MT60	60" (1524 mm)	600' (183 m)

Minimum order: 1 roll. Widths can be combined for quantity pricing.



Mastic Application:

Only regular Palmer Mirro-Mastic® (Cat. No.'s PM201GL, PM205, PM601T, and PM601QT); CRL Heavy Bodied Mirror Mastic (Cat. No. 600GL) and Gunther Premier® Plus Mastic may be used with Category II Safety Tape* that has been washed with 70 percent isopropyl alcohol (Rubbing Alcohol). Palmer Qwikset Mirro-Mastic®, Gunther Extra/Build®, or Gunther Ultra/Bond® are **NOT** to be used with any Safety Tape unless holes are cut out prior to applying mastic (see image at right). *Gunther Premier® Plus has only been tested and approved for CRL Brand Category II Safety Tape.

Mirro-Mastic is a registered trademark of Palmer Products Corporation. Gunther Extra/Build, Ultra/Bond, and Premier are all registered trademarks of Royal Adhesives and Sealants, LLC.



Applying mastic to mirror with Category II Tape applied to back with no holes cut out



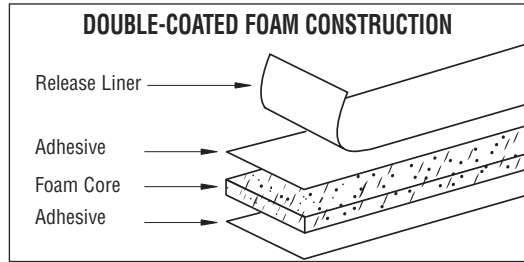
Tape applied to back with holes cut out for application of mastic. Application temperature range is 60 to 100°F (15 to 37°C).

CRL MOUNTING TAPES

For Pricing Visit crlaurence.com or Call Us Toll Free at the Phone Numbers Shown on the Back Cover

CRL All-Purpose Foam Mounting Tape

- **Conforms to All Surfaces**
- **Available in Black or White Colors**
- **Excellent for Mirrors, Glass, Metals, Plastics, and Other Surfaces**



Paper Backing Peels Off Easily and Exposes the High Quality Foam Core and Adhesive

All-Purpose Foam Mounting Tape has a high-strength adhesive with tenacious holding power. A flexible foam core is double-coated with a high-tack adhesive that makes a strong tape which will conform to irregular shapes and surfaces. Just peel off the release liner and apply to glass, metal, plastic, Masonite, cardboard, and wallboard; making sure all are dry, clean, and dust-free surfaces. Applications include mounting small mirrors and mirror tiles; metal or plastic signs; mounting posters or pictures; adhering edge moldings.



SPEC. DATA

CAT. NO.	COLOR	WIDTH	THICKNESS	ROLL LENGTH	ROLLS/ CASE
CRL213212	White	1/2" (12.7 mm)	1/32" (.8 mm)	216' (65.8 m)	23
CRL21321	White	1" (25.4 mm)	1/32" (.8 mm)	216' (65.8 m)	12
CRL211612	White	1/2" (12.7 mm)	1/16" (1.6 mm)	108' (32.9 m)	23
CRL211634	White	3/4" (19 mm)	1/16" (1.6 mm)	108' (32.9 m)	16
CRL21161	White	1" (25.4 mm)	1/16" (1.6 mm)	108' (32.9 m)	12
CRL210812	White	1/2" (12.7 mm)	1/8" (3.2 mm)	50' (15.2 m)	23
CRL210834	White	3/4" (19 mm)	1/8" (3.2 mm)	50' (15.2 m)	16
CRL21081	White	1" (25.4 mm)	1/8" (3.2 mm)	50' (15.2 m)	12
CRL423212	Black	1/2" (12.7 mm)	1/32" (.8 mm)	216' (65.8 m)	23
CRL421612	Black	1/2" (12.7 mm)	1/16" (1.6 mm)	108' (32.9 m)	23
CRL421634	Black	3/4" (19 mm)	1/16" (1.6 mm)	108' (32.9 m)	16
CRL420812	Black	1/2" (12.7 mm)	1/8" (3.2 mm)	50' (15.2 m)	23

Minimum order: 1 roll. All sizes and colors can be combined for quantity pricing.

CRL 3M® Scotch Mount Foam Tape



The strong, pressure sensitive adhesive of CRL 3M® Scotch Mount Foam Tape is bonded to a high density foam. Because this foam conforms to any surface, you will find it ideal to use for mounting mirror squares, small plaques or frames directly to walls. A favorite in the glass industry, it is available in three widths, and gives you neat, clean, and easy mounting.

- **Mount Mirrors, Plaques or Frames Directly to the Wall**
- **Conforms to All Surfaces**
- **Strong Sticky Surface**

SPEC. DATA

MSDS

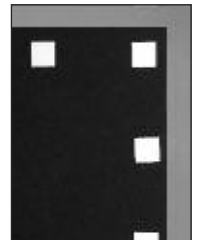
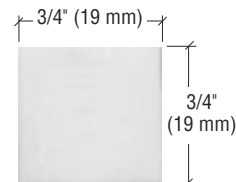
CAT. NO.	WIDTH	THICKNESS	ROLL LENGTH	ROLLS/ CASE
403212	1/2" (12.7 mm)	1/32" (.8 mm)	216' (65.8 m)	18
40321	1" (25.4 mm)	1/32" (.8 mm)	216' (65.8 m)	9
401612	1/2" (12.7 mm)	1/16" (1.6 mm)	108' (32.9 m)	18
401634	3/4" (19 mm)	1/16" (1.6 mm)	108' (32.9 m)	12
40163445	3/4" (19 mm)	1/16" (1.6 mm)	45' (13.7 m)	12
40161	1" (25.4 mm)	1/16" (1.6 mm)	108' (32.9 m)	9
400812	1/2" (12.7 mm)	1/8" (3.2 mm)	108' (32.9 m)	18
400834	3/4" (19 mm)	1/8" (3.2 mm)	108' (32.9 m)	12
40083421	3/4" (19 mm)	1/8" (3.2 mm)	21' (6.4 m)	12
40081	1" (25.4 mm)	1/8" (3.2 mm)	108' (32.9 m)	9

Minimum order: 1 roll. All sizes and colors can be combined for quantity pricing.

CRL Foam Tape Squares

- **Eliminates Mounting "Hang-Ups"**
- **Neat, Clean, and Easy to Apply**
- **Economical to Use**
- **3/4" (19 mm) Squares of Neat, Strong Holding Power**
- **Ideal for Hanging Frames, Plaques, Posters, Mirror Squares or Tiles**

CRL Foam Tape Squares take the hang-ups out of a sticky business. These pre-cut foam tape squares are easy to use – simply peel and stick! No messy glues or epoxies, no holes to drill, no screws, nails, nuts or bolts.



CAT. NO.	SIZE	THICKNESS	SQUARES/BOX
CRL4022	3/4" x 3/4" (19 x 19 mm)	1/32" (.8 mm)	1,000
CRL4026	3/4" x 3/4" (19 x 19 mm)	1/16" (1.6 mm)	1,000

Minimum order: 1 box. Sizes can be combined for quantity pricing.

3M is a registered trademark of 3M Company.

CRL Transparent and Translucent Acrylic Very Hi-Bond Adhesive Tapes

CRL Acrylic Double-Sided Very Hi-Bond Adhesive Tape is designed for a variety of applications including trim attachment, skin-to-frame assemblies, furniture, appliances, window grids, signs, graphics, construction uses to replace mechanical fasteners and welds, and whenever a waterproof bond in a wide range of temperature conditions exists.

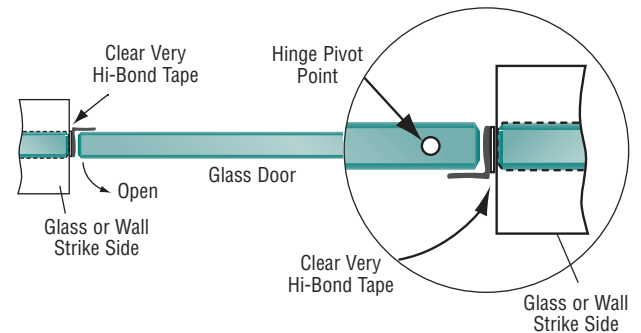


CAT. NO.	TYPE	WIDTH	THICKNESS	ROLL LENGTH	ROLLS/CASE
AT0201436	Transparent	1/4" (6.3 mm)	.020" (0.51 mm)	36' (11 m)	36
AT02014	Transparent	1/4" (6.3 mm)	.020" (0.51 mm)	216' (65.8 m)	24
AT0401436	Transparent	1/4" (6.3 mm)	.040" (1.02 mm)	36' (11 m)	36
AT04014	Transparent	1/4" (6.3 mm)	.040" (1.02 mm)	108' (32.9 m)	24
AT0401236	Transparent	1/2" (12.7 mm)	.040" (1.02 mm)	36' (11 m)	36
AT04012	Transparent	1/2" (12.7 mm)	.040" (1.02 mm)	108' (32.9 m)	24
AT04512	Translucent	1/2" (12.7 mm)	.045" (1.11 mm)	108' (32.9 m)	24
AT04534	Translucent	3/4" (19 mm)	.045" (1.11 mm)	108' (32.9 m)	14
AT0451	Translucent	1" (25.4 mm)	.045" (1.11 mm)	108' (32.9 m)	14
AT0452	Translucent	2" (50.8 mm)	.045" (1.11 mm)	108' (32.9 m)	8

Minimum order: 1 roll. All tapes on this page can be combined for quantity pricing.



• Excellent for Applying Wipes and Seals to Glass Doors



CRL 3M® Transparent and Translucent Adhesive Tapes

- **Bonds to Most Clean, Dry Surfaces Instantly**
- **Replaces Mechanical Fasteners in Many Applications**



CAT. NO.	TYPE	WIDTH	THICKNESS	ROLL LENGTH	ROLLS/CASE
867238	Transparent, Single-Sided	3/8" (9.5 mm)	.006" (.152 mm)	108' (32.9 m)	24
490514	Transparent, VHB® Double-Sided	1/4" (6.3 mm)	.020" (.51 mm)	216' (65.8 m)	36
491014	Transparent, VHB® Double-Sided	1/4" (6.3 mm)	.040" (1.02 mm)	108' (32.9 m)	36
491012	Transparent, VHB® Double-Sided	1/2" (12.7 mm)	.040" (1.02 mm)	108' (32.9 m)	18
491034	Transparent, VHB® Double-Sided	3/4" (19 mm)	.040" (1.02 mm)	45' (14 m)	12
SDT51660	Translucent, Double-Sided	5/16" (7.9 mm)	.005" (.127 mm)	180' (54.8 m)	16

Minimum order: 1 roll. All tapes on this page can be combined for quantity pricing.

3M and VHB are both registered trademarks of 3M Company.

Transparent 3M® Polyurethane Single-Sided Adhesive Tape

Transparent 3M® Polyurethane Tape is most commonly used as a cushion to protect against chipping in installations with glass-to-glass contact, such as frameless shower doors, or in glass display cases.

Transparent 3M® VHB® Double-Sided Adhesive Tape

Transparent 3M® VHB® (Very High Bond) Tape features instant bonding with full strength attained within 72 hours. You will find VHB® Tape can be the clear replacement for mechanical fasteners in many instances.

Translucent Double-Sided Adhesive Tape

Our Translucent Double-Sided Adhesive Tape is an economical alternative to higher priced Transparent Tapes. It is a good choice for adhering edge wipes and seals in frameless shower enclosures.

CRL Clear Double-Sided PVC Tape

- Easy to Peel Off Liner, Tape Does Not Stretch
- Excellent Water Vapor Resistance

This CRL Double-Sided PVC Tape adheres to rubber, plastic, glass, metal, and wood substrates. Great for adhering polycarbonate seals to frameless shower doors. Excellent temperature, UV, aging, and water vapor resistance.



CAT. NO.	WIDTH	THICKNESS	ROLL LENGTH
4420C	23/64" (9 mm)	.009" (.23 mm)	180' (55 m)

Minimum order: 1 roll. Can be combined for quantity pricing with adhesive bond tapes.

CRL Blue Joint Framing Tape

- Ideal for Framing
Tooled Silicone
Joints

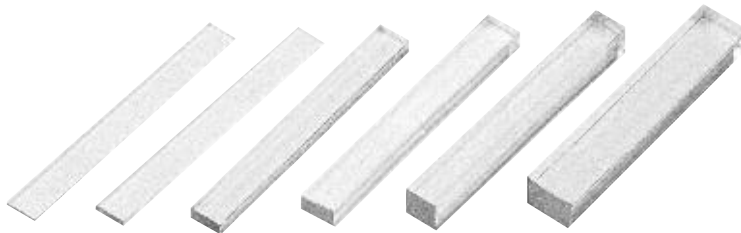


CAT. NO.	WIDTH	ROLL LENGTH	RLS/CASE
BL9934	3/4" (19 mm)	180' (55 m)	48
BL991	1" (25.4 mm)	180' (55 m)	36
BL99112	1-1/2" (38 mm)	180' (55 m)	24
BL992	2" (51 mm)	180' (55 m)	24

Minimum order: 1 roll. All Masking Tapes can be combined for quantity pricing.

This Blue Joint Framing Tape is a blue crepe paper tape with built-in UV stability and adhesive transfer resistance for up to seven days. Excellent for use as a masking tape around tooled silicone joints in frameless shower door installations, or any exterior sealing applications like storefronts where the metal needs to be protected.

CRL Clear Plastic Setting Blocks



CAT. NO.	WIDTH	THICKNESS	LENGTH
PSB040	1/4" (6.3 mm)	.040" (1 mm)	2" (50.8 mm)
PSB080	1/4" (6.3 mm)	.080" (2 mm)	2" (50.8 mm)
PSB125	1/4" (6.3 mm)	1/8" (3.2 mm)	2" (50.8 mm)
PSB156	1/4" (6.3 mm)	5/32" (4 mm)	2" (50.8 mm)
PSB250	1/4" (6.3 mm)	1/4" (6.3 mm)	2" (50.8 mm)
PSB375	1/4" (6.3 mm)	3/8" (9.5 mm)	2" (50.8 mm)

Minimum order: 100 each. Sizes can be combined for quantity pricing.

- Widely Used in Frameless Shower Installation
- 80 ±5 Durometer Hardness

CRL Clear Plastic Setting Blocks are especially suited for use where black neoprene or thermoplastic rubber setting blocks are undesirable, such as mirror or 'all-glass' frameless shower door installations. Clear Plastic Setting Blocks make glass leveling very simple in shower enclosures, and are available in six sizes. Transparent blocks help maintain an attractive appearance.



CRL Aerosol Mirror Edge Sealant

- Sprays On Clear to Seal Mirror Edges After Sanding and Beveling
- Prevents Cut Mirror Edges From Turning Black as They React to Moisture



Aerosol Spray for Faster Application



CRL Aerosol Mirror Edge Sealant sprays on clear to seal mirror edges after cutting, seaming or polishing. Edge Sealant protects the edges from turning black, which occurs when silver backing is exposed to humidity. The sealant provides long lasting protection against moisture and other harmful conditions.

CAT. NO.	NET WEIGHT	QTY/CASE
S209	10.5 Oz. (298 g)	12

Minimum order: 1 each.

CRL Mirror Edge Sealant

- Prevents Mirror Edges From Turning Black
- Sponge Applicator Included



No Wasteful Overspray



CRL Mirror Edge Sealant protects the silver on seamed or finished edges from turning black. Black edges occur when silver is exposed to humidity or acidity. Easy to use brush on product has no wasteful overspray, and will guard edges against harmful conditions. 1" (25 mm) wide Sponge Applicator included with every can.

CAT. NO.	NET WEIGHT	QTY/CASE
MES16	16 Fl. Oz. (473 ml)	6

Minimum order: 1 each.

CRL Gunther Seal-Kwik Mirror Edge Sealant

- Protects Mirror Edges From "Black Edge"
- Dries Clear
- Built-In Applicator Top



Easy Application with Sponge-Dauber Top

CRL Gunther Seal-Kwik has a safe, proven formula for protecting mirror edges from "black edge". Seal-Kwik goes on fast and easy with a sponge-dauber top, with no running, spilling or wasteful overspray. Seal-Kwik dries clear, and will not yellow or crack with age.



CAT. NO.	NET WEIGHT	QTY/CASE
GN4	4 Fl. Oz. (118 ml)	6

Minimum order: 1 each.

CRL Anti-Fog Spray

- Eliminates Fog From Any Glass Surface
- Use it on Bath and Dressing Room Mirrors



CRL Anti-Fog Spray is the perfect solution and cleaner to keep bathroom mirrors, auto glass, safety goggles or sunglasses fog free. The spray is effective until the glass or mirror surface needs to be cleaned again, at which time the Anti-Fog and Cleaner solution is reapplied. The easy to use spray bottle contains 4 Fl. Oz. (118 ml).



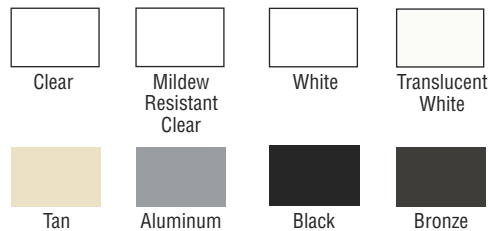
CAT. NO.	NET WEIGHT	QTY/CASE
ZSP2	4 Fl. Oz. (118 ml)	24

Minimum order: 1 each.

CRL 33S Silicone Sealant

- Our Most Popular Sealant
- Plastic Cartridges With Screw-On Nozzles
- Available in Eight Colors

Color deposits shown here are approximate.



10.3 Fl. Oz. (305 ml);
30 Cartridges Per Case;
1440 Cartridges Per Pallet

CRL 33S Silicone is a high quality sealant that delivers the performance you demand at a price you will find very competitive. It is a one component, room temperature curing, 100% silicone elastomer that does not require the addition of activators, stabilizers or catalysts to achieve optimum properties. CRL 33S is especially designed for joining and sealing a variety of structural materials: glass, aluminum, metal alloys, stainless steel, and plastics. It will join and seal specialty glass assemblies, glass entries and partitions, glass block installations, and many art projects. It is an excellent product for showers, bathtubs, and sanitary installations. It has a wide operating temperature range of -80 to 400°F (-62 to 204°C), and can be applied at outdoor temperatures as low as -35 to 140°F (-37 to 60°C). 33S is also available in pails containing 4.5 Gallons (17 Liters) and 52 Gallon (197 Liter) Drums.



33S Meets or Exceeds These Federal Specifications:

- TT-S-001543A (COM-NBS) Class A, for Silicone Building Sealants
- TT-S-00230C (COM-NBS) Class A, Non-Sag for One-Component Sealants
- ASTM C-920 Standard Specification for Elastomeric Joint Sealants as Type S, Grade NS, Class 25, Use NT, G, and A
- CGSB 19.13

CAT. NO.	COLOR
33SC	Clear
33SMRC	*Mildew Resistant Clear
33SW	*White
33STW	*Translucent White
33ST	*Tan
33SAL	Aluminum
33SBL	Black
33SBRZ	Bronze

Minimum order: 1 each. All cartridge sealants can be combined for quantity pricing.
* Mildew Resistant Color

CRL Silicone Sealant in Handy 3 Ounce Tubes

- Same Professional Formula as Our Popular 33S Silicone
- Great for Small Jobs or Over-the-Counter Sales
- Screw-On Tapered Nozzles

Professional quality CRL Silicone Sealant is available in handy 3 fluid ounce (90 ml) squeeze tubes for small jobs or over-the-counter retail sales. It meets the same exact standards and specifications as our 33S Silicone, so it is an assured performer you can use or sell with complete confidence. Packed twelve per carton; four cartons per case.

NOTE: Use Cat. No. 710XX006 to dispense. See page 489J.



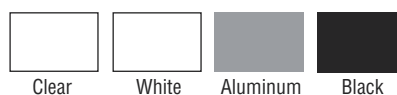
3 Fl. Oz. (90 ml) Tubes;
12 Tubes Per Carton

- Attractive Blister Card for Over-the-Counter Sales

SPEC. DATA



Color deposits shown here are approximate.

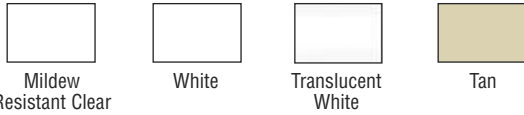


CAT. NO.	COLOR
22C	Clear
22W	White
22AL	Aluminum
22BL	Black

Minimum order: 1 each. All 3 oz. silicone tubes can be combined for quantity pricing.

CRL Silicones for Sanitary Applications

- Mildew Resistant Formulations Make These Silicones Excellent for Bathrooms, Spas, Kitchens, and Other Sanitary Applications



Mildew Resistant Clear

White

Translucent White

Tan

Color deposits shown here are approximate

Description

These high quality CRL Silicone Sealants contain a fungicide in their formulas, making them resistant to mildew. 33S is an acetic cure silicone that is also certified by NSF to Standard 51 – Plastic Materials and Components used in Food Equipment. 33S meets the requirements of FDA Regulation Number 21 CFR 177.2600 for use in food-related applications. RTV408 is a neutral cure silicone with better adhesion to stone, masonry, and plastics.

Basic Uses

Tub and shower enclosures, sinks, kitchens, spas, hot tubs, glass blocks, and other sanitary applications.



10.3 FL. OZ. (304 ML) CARTRIDGES

30/CASE

CAT. NO.	CURE TYPE	COLOR
33SMRC	Acetic	Mildew Resistant Clear
33SW	Acetic	White
33STW	Acetic	Translucent White
33ST	Acetic	Tan
RTV408W	Neutral	White
RTV408T	Neutral	Tan

Minimum order: 1 each. All cartridge sealants can be combined for quantity pricing.

CRL Mildew Resistant Clear Silicone Sealant



- Excellent Choice for 'All-Glass' Shower Enclosures
- Color Blends Well With Porcelain Fixtures

Description

Mildew Resistant Clear color makes it ideal for use with porcelain fixtures, as well as glass, tile, and marble surfaces. Also blends well with highly polished metal shower enclosures and fixtures.

Basic Uses

33SMRC adheres to most clean surfaces, including ceramic tile, glass, porcelain, marble, stainless steel, and aluminum. It's a terrific choice for use in 'all-glass' tub and shower enclosures, around sinks, in pools and spas, and with glass block.



Additional Screw-On Nozzles Available



Mildew Resistant Clear

CAT. NO. S1LN0Z

10.3 FL. OZ. (304 ML) CARTRIDGES

30/CASE

CAT. NO.	CURE TYPE	COLOR
33SMRC	Acetic	Mildew Resistant Clear

Minimum order: 1 each. All cartridge sealants can be combined for quantity pricing.

CRL Translucent White Silicone Sealant



- Color Blends Great With Marble and Tile



Translucent White Silicone Sealant



vs. White Silicone Sealant

Description

Unique Translucent White color blends in with tile and marble better than bright white silicones. Contains mildew resistant additives that provide durable, long-lasting seals that withstand repeated exposure to humidity and high temperature conditions (400°F; 204°C).

Basic Uses

33STW adheres to most clean surfaces, including ceramic tile, solid decorative surfaces, glass, porcelain, marble, stainless steel, and aluminum. Excellent for use around tubs, sinks, showers, as well as laminates and solid surface countertops.



Additional Screw-On Nozzles Available



Translucent White

CAT. NO. S1LN0Z

10.3 FL. OZ. (304 ML) CARTRIDGES

30/CASE

CAT. NO.	CURE TYPE	COLOR
33STW	Acetic	Translucent White

Minimum order: 1 each. All cartridge sealants can be combined for quantity pricing.

CRL RTV408 Industrial and Construction Silicone

SPEC. DATA

- Low Odor, Non-Acetic Cure Formula
- Excellent Adhesion to Most Surfaces
- Easy Gunning and Tooling
- Non-Corrosive
- 20 Year Limited Warranty



Color deposits shown here are approximate.

10.3 Fl. Oz. (305 ml);
30 Cartridges per Case;
1440 Cartridges Per Pallet



Additional Screw-On Nozzles Available
CAT. NO. S1LN0Z

Description

CRL RTV408 Silicone is a neutral cure, medium modulus, 100% silicone sealant that cures to a tough, flexible rubber when exposed to moisture. RTV408 features primerless adhesion to: aluminum, stainless steel, chromium, tin, iron, plastics, rigid PVC, phenolic resin, glass, ceramic, and most reflective-coated glasses.

Basic Uses

Its fast cure time and easy tooling make it ideal for many in-house production applications. It is non-corrosive to most building materials such as glass (including insulating glass), tiles, and sanitary equipment. Seals curtainwall joints; vinyl, steel and aluminum windows; and skylights. It is also used in vehicles, ships, aircraft, as well as for electrical insulation.

CRL RTV408 does not cause corrosion in contact with metals. It is suitable for alkaline materials such as mortar and cement, and other applications where metal corrosion could be a problem. CRL RTV408 stays flexible and is resistant to cracking or becoming brittle in a wide range of temperatures approximately -65 to 400°F (-54 to 204°C). It can be applied in outdoor temperatures from -20°F (-29°C), provided that surfaces are clean, dry and frost-free, or on surfaces as high as 100°F (38°C).

Use RTV408C to adhere Cat. No. S1LB Translucent Silicone Bulb Seal to glass (see page 325J).



Technical Data

Meets or exceeds Federal Specifications: TT-S-001543A (COM-NBS) Class A for silicone building sealants; TT-S-00230C (COM-NBS) Class A for one-component silicone sealants; ASTM C-920 for elastomeric joint sealants, Type S, Grade NS, Class 25, Use NT, G, A and O; CAN/CGSB 19.13-M87. AAMA 802.3-92 Type I, 802.3-92 Type 2, 805.2-94 and 808.3-92.

RTV408W and RTV408T contain a fungicide. The cured sealant is mildew resistant.

10.3 FL. OZ. (304 ML) CARTRIDGES

30/CASE

CAT. NO.	CURE TYPE	COLOR
RTV408C	Neutral	Clear
RTV408AL	Neutral	Aluminum
RTV408BL	Neutral	Black
RTV408BRZ	Neutral	Bronze
RTV408BGE	Neutral	Beige (Almond)
RTV408DT	Neutral	Dark Tan
RTV408T	Neutral	*Tan
RTV408W	Neutral	*White

Minimum order: 1 each. All cartridge sealants can be combined for quantity pricing. * Mildew Resistant Color.

CRL Water Clear Silicone Sealant

SPEC. DATA

MSDS

- Water Clear Formulation for Sealing Glass-to-Glass, Glass-to-Tile and Glass-to-"U" Channel
- Optically Clear When Cured
- Applications Include Shower Enclosures and Specialty Glass Assemblies

Description

Removable, reusable, resealable screw-on nozzles with a screw-on cap

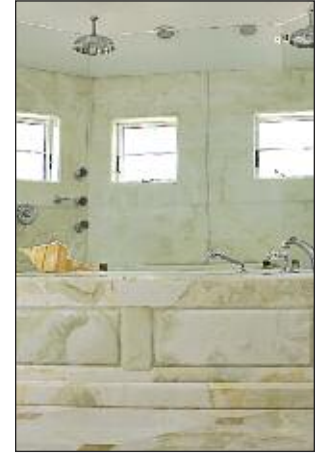
CRL Water Clear Silicone Sealant is an optically clear acetic cure silicone sealant that cures in the presence of atmospheric moisture to produce a durable and flexible silicone rubber. Its unique weatherability enables it to retain its original properties, even after years of exposure.



CAT. NO. WCS1

10.3 and 5.0 Fl. Oz.
(305 and 148 ml) Cartridges;
30 Cartridges per Case

CAT. NO. WCS5



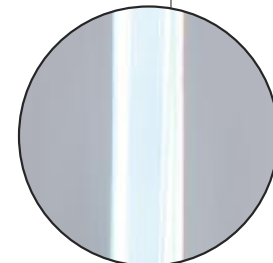
Basic Uses

Water Clear Silicone Sealant is intended for building construction applications, and is particularly effective for glazing butt and lap shear joints, and sealing curtainwall projections and other glass, plastic, and metal assemblies. Its exceptional clarity makes it the ideal sealant to use in frameless shower enclosures. It is also appropriate for general construction and industrial applications.

Water Clear Silicone is packaged in two sizes of heavy plastic cartridges that feature removable, reusable, resealable screw-on nozzles with a screw-on cap for convenience and product savings. Water Clear Silicone cures quickly with a tack-free time of 10 minutes. It adheres to clean metal, glass, most types of wood, silicone resin, ceramic, natural and synthetic fiber, and most painted surfaces. For single use applications you'll find the five ounce size meets your needs exactly!



CRL
Water Clear



Typical Clear
(Translucent) Silicone

CLARITY COMPARISON

Technical Data

Meets or exceeds the test requirements of Federal Specification TT-S-001543A (COM-NBS) Class A for silicone building sealants; TT-S-230C (COM-NBS) Class A Non-Sag for one-component building sealants; ASTM C-920 Standard Specifications for Elastomeric Joint Sealants as Type S, Grade NS, Class 25, Use NT, G and A; CAN/CGSB-19.13-M97.

Important Note

Exceptional clarity of product will not hide application or tooling errors. A small number of bubbles may form during the curing process of the sealant, so considerations should be made up front regarding standards of appearance and subsequent repairs (eg: limited to sight lines). Not recommended for use in the following applications: Glazing or edge sealing of insulating glass; copper, brass, magnesium, zinc, galvanized surfaces. Water Clear Silicone is not mildew resistant. Check cartridge label and Spec Data Sheet for additional limitations.

CAT. NO.	CURE TYPE	CONTENTS	QTY/PKG
WCS1	Acetic	10.3 Fl. Oz. (305 ml)	30
WCS5	Acetic	5 Fl. Oz. (148 ml)	30

Minimum order:1 each. All cartridge sealants can be combined for quantity pricing.

CRL 321 Acrylic Latex With Silicone

- Mildew Resistant Sealant Can Be Used on Exterior or Interior Surfaces
- Paintable and Easily Cleaned Up With Soap and Water



Color deposits shown here are approximate



10.1 Fl. Oz. (300 ml);
30 Cartridges Per Case;
1440 Cartridges Per Pallet

Description

A premium quality Acrylic Latex Caulk With Silicone, featuring outstanding properties including adhesion, weather resistance, low shrinkage, water clean up, and more. The acrylic base offers outstanding adhesion and resistance to oxidation and ultraviolet rays. The siliconized feature improves the flexibility and adhesion to ceramic and glass substrates.

Basic Uses

CRL 321 Acrylic Latex With Silicone is truly a versatile caulk featuring easy tooling and water clean up. A special blend of Silicone and Acrylic Latex that provides superior primerless adhesion to building materials such as wood, brick, glass, plastic, vinyl, plaster, drywall, metal, and ceramics. The Silicone gives it flexibility, the Acrylic promotes long life expectancy. Together they form an excellent sealant that can be used around window and door frames; for siding and trim work; caulking tubs and sink tops; thresholds and baseboards. It may be used to grout marble and ceramic tile. CRL321 is used in areas with high moisture, such as showers, bathrooms, sinks and kitchens, since it is mold and mildew resistant, and is paintable with oil or latex-based paints.



Technical Data

Exceeds the requirements of ASTM C-834 Standard Specification for Latex Sealing Compounds.

10.1 FL. OZ. (300 ML) CARTRIDGES	30/CASE
CAT. NO.	
321C	Clear
321W	White
321BRZ	Bronze
321GRY	Gray
321ALM	Almond

Minimum order: 1 each. All cartridge sealants can be combined for quantity pricing.

CRL 800 Acrylic Latex With Silicone

- Paintable and Easily Cleaned Up With Soap and Water
- Can Be Used on Exterior or Interior Surfaces
- Mildew Resistant



White

Color deposit shown here is approximate.

Additional Screw-On
Nozzles Available
CAT. NO. S1LNOZ



10.5 Fl. Oz. (310 ml);
30 Cartridges Per Case;
1440 Cartridges Per Pallet

Description

A premium quality Acrylic Latex Caulk With Silicone, CRL800 features outstanding properties including adhesion, weather resistance, low shrinkage, water clean up, and more.

Basic Uses

CRL 800 Acrylic Latex With Silicone is a pure acrylic latex sealant featuring easy tooling and water clean up. A special blend of Silicone and Acrylic Latex that provides superior primerless adhesion to building materials such as wood, brick, glass, plastic, vinyl, plaster, drywall, metal, and ceramics. Can be used around window and door frames; for siding and trim work; caulking tubs and sink tops; thresholds and baseboards. It may be used to grout marble and ceramic tile. Used in areas with high moisture, such as showers, bathrooms, sinks and kitchens, since it is mold and mildew resistant, and is paintable with oil or latex-based paints.

Technical Data

Exceeds the requirements of ASTM C-834-95 Standard Specification for Latex Sealants.

10.1 FL. OZ. (300 ML) CARTRIDGES	30/CASE
CAT. NO.	
800W	White

Minimum order: 1 each. All cartridge sealants can be combined for quantity pricing.

CRL15W Premium Grade Acrylic Latex Caulk



- Easily Cleaned Up With Soap and Water
- Paintable Formula Adheres to All Common Interior Substrates
- 25 Year Life Expectancy



White

Color deposit shown here is approximate



10.1 Fl. Oz. (300 ml);
24 Cartridges Per Case;
1920 Cartridges Per Pallet

Description

CRL15W is a superior quality Acrylic Latex Caulk formulated to meet the needs of the professional or the do-it-yourselfer. It guns with a creamy consistency. Easy soap and water clean up.

Basic Uses

CRL15W is specially formulated for interior sealing around window frames, door frames, baseboards, moldings, plaster walls, etc. It adheres to plaster, drywall, painted and unpainted wood, masonry, and aluminum. Used to caulk tubs and sink tops in areas with high moisture, such as showers, bathrooms, and kitchens. May be painted when a skin has formed, usually after two hours of application for latex paint or 24 hours if using oil-based paint.



Technical Data

Meets or exceeds the requirements of ASTM C-834.

10.1 FL. OZ. (300 ML) CARTRIDGES		30/CASE
CAT. NO.	COLOR	
CRL15W	White	

Minimum order: 1 each. All cartridge sealants can be combined for quantity pricing.

CRL DAP® Kwik-Seal Tub and Tile Caulk



- Dries Tack Free in Only 15 Minutes
- Mildew Resistant Bright White Color
- Water Clean-Up



White



Description

CRL DAP® Kwik-Seal Tub and Tile Caulk makes a neat, white, watertight seal around tubs, sinks, and shower stalls. It also resets loose tile, caulks indoor window and door frames. It adheres to ceramic and plastic tile, wood, metal, plaster, glass, porcelain, and fiberglass.

Basic Uses

DAP® Kwik-Seal can be used to seal tubs, sinks, fixtures, back splashes, shower stalls, and loose tiles. DAP® Kwik-Seal dries fast, yet stays flexible and resists mildew. Kwik-Seal is paintable and easy to apply. It is easy to clean up using just water.

CAT. NO.	COLOR
DAP18001	White

5.5 Fl. Oz. (162 ml);
12 Tubes Per Case

Minimum order: 1 each. All cartridge sealants can be combined for quantity pricing.

DAP is a registered trademark of DAP Brands Company Corp.

CRL DAP® Vinyl Spackling Compound



- Interior or Exterior Use
- Can Be Painted
- Easy to Sand



Description

CRL DAP® Vinyl Spackling is a ready-mixed compound for easy interior or exterior patching.

Basic Uses

DAP® Vinyl Spackling may be used to fill holes and cracks in surfaces such as drywall, plaster, wood, brick, stone, and concrete. Will not crack, crumble or flake, yet dries hard, sands easily, and can be painted.

32 Fl. Oz. (946 ml);
6 Quarts Per Case

CAT. NO.	COLOR
DAP12132	Off-White

Minimum order: 1 each. Can be combined for quantity pricing with all cartridge sealants.



Off-White

CRL 12 Volt DC Variable Speed Cordless Cartridge Caulking Gun for Lightweight Sealants

- Variable Speed Trigger Controls Flow of Sealant
- Use to Dispense Lightweight Sealants Such as Silicones and Acrylic Latex
- Complete With 12 Volt Battery, One Hour Charger, and Molded Plastic Carrying Case

This CRL 12V DC Cordless Cartridge Caulking Gun operates on a 12 volt Rechargeable Battery and comes with a One Hour Charger. The variable speed control is in the trigger for easy adjustments in speed. It is ideal for glazing contractors, building contractors, roofers, cabinet makers, OEM fabricators, window manufacturers, or anyone who applies a lot of silicone or acrylic latex sealants and wants an easier, more professional way of getting the job done, without the restrictions of cords or hoses. Affordable and effective, this gun also comes with a 90 day warranty. For uninterrupted production, you can order additional LD188B 12 Volt Battery Packs.

WARNING: Not for use with high viscosity automotive urethane adhesives and construction polyurethane sealants. Use Only to dispense lightweight sealants such as silicone and acrylic latex.



CAT. NO.	DESCRIPTION
LD188	12 Volt Cordless Cartridge/Caulking Gun Kit
LD188B	12 Volt DC Battery Pack
LD188C	One Hour Battery Charger
LD188AU	240 Volt Caulking Gun Kit-Australia
LD188C240VAU	240 Volt Battery Charger-Australia
LD188EU	240 Volt Caulking Gun Kit-Europe
LD188C240VEU	240 Volt Battery Charger-Europe

Minimum order: 1 each.

CRL 12:1 Ratio Strap Frame Caulking Gun

- Low to Medium Viscosity Materials
- Smooth Rod With Thumb Release



This CRL 12:1 Ratio Caulking Gun has the smooth operation of a friction rod, plus a large handle and trigger. Perfect for dispensing low to medium viscosity materials, such as silicones and acrylic latex sealants. The strap frame rotates to move the nozzle tip where needed. The spring release plunger lets you load and dispense quickly and easily. The thumb-activated instant pressure release button prevents sealant run-on. Includes a built-in ladder hook. Minimum order is one each.

CAT. NO. GA1203

CRL 26:1 Ratio Strap Frame Caulking Gun

- Effortless Dispensing of Medium to High Viscosity Materials



This CRL Heavy-Duty 26:1 Ratio Gun has the smooth operation of a friction rod and the mechanical advantage to dispense high viscosity sealants, such as auto urethanes or construction sealants, even during cold weather. The strap frame rotates to move the nozzle tip where needed. The spring release plunger lets you load and dispense quickly and easily. The thumb-activated instant pressure release button prevents sealant run-on. Includes a built-in ladder hook. Minimum order is one each.

CAT. NO. AB26

CRL Standard Smooth Rod Caulking Gun

- Our Best Selling, Most Economical Gun
- Thumb Pressure Release Button



This Standard Smooth Rod Caulking Gun is CRL's most popular caulking gun because it is quality constructed, and so easy and economical to use. The spring release plunger lets you load and dispense quickly, and easily releases pressure on the plunger to prevent sealant run-on. Perfect for dispensing low viscosity materials. Minimum order is one each.

CAT. NO. ER3

CRL Small Tube Dispenser Handle

- Makes Small Tubes of Sealants or Adhesives Easy to Dispense



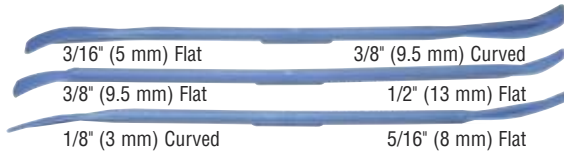
The Small Tube Dispenser Handle is the fast and easy way to dispense materials (such as silicones, adhesives, etc.) from squeeze tubes. It lets you apply just the right amount of pressure for the proper bead size, and since you apply just the right amount of material, there is less mess and clean up. The open back design lets you draw the tube through the handle, so you can get virtually all of the material from the tube, reducing waste. Holds all flexible plastic or metal tubes up to 2-1/2" (63 mm) wide.

Minimum order is one each.

CAT. NO. 710XX006

CRL Sealant Spatulas

- Tools Six Different Joint Widths
- Easy to Clean After Use



CRL Sealant Spatulas are a unique kit of three spatulas for tooling applied sealants. Tapered on each end for use in six different joint widths. Lightweight material is strong, will flex under pressure, and is easy to clean up after use. Overall length of each Spatula is 7-1/4" (184 mm). Comes in a divided vinyl pouch you can carry in your pocket or toolbox. Minimum order is one set.

CAT. NO. AB556

CRL Sealant Finishing Tools

- Lightweight and Flexible, Simplifies Tooling of Sealants
- Titanium Catalyst Material Won't Stick to Silicone or Other Sealants



CAT. NO. 55BSS



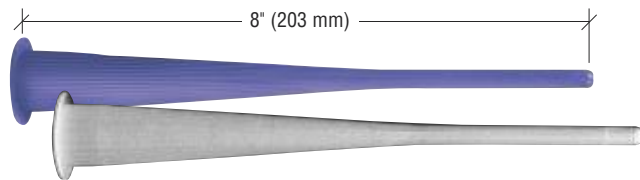
CAT. NO. G2410

Available in Australia Only

These CRL Sealant Finishing Tools are made of a lightweight and flexible titanium catalyst material that will not stick to silicone and other sealants. This makes tooling fresh sealant joints easy, with smoother results and faster clean up. Minimum order is one each.

CRL Problem Solver Nozzles

- Reaches Areas You Never Thought Possible
- Rigid, Flexible or Combo Pack



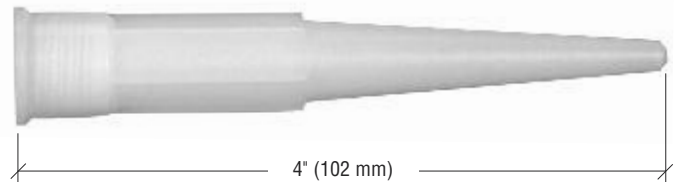
Problem Solver Nozzles fit virtually any caulking cartridge by sliding over the existing nozzle, or screwing onto the threaded nipple. Choose from either Rigid or Flexible Nozzles (four Nozzles per pack), or order the Combo Pack with two flexible and two rigid Nozzles per pack.

CAT. NO.	DESCRIPTION	COLOR
PSN2	Four Rigid Problem Solver Nozzles	Blue
PSN4	Four Flexible Problem Solver Nozzles	White
PSN6	Combo Pack of Four Problem Solver Nozzles	Mixed

Minimum order: 1 pack. Sizes can be combined for quantity pricing.

CRL Screw-On Silicone Nozzles

- Additional Nozzles for Screw-On Type Silicone Cartridges



CRL Screw-On Silicone Nozzles are tapered so you can trim the nozzle to exactly the bead size you need. NOTE: These Nozzles will not fit auto glass urethane cartridges because of the different thread size. For auto glass urethane cartridges, use Cat. No. UN0Z. 24 Nozzles per pack. Minimum order is one pack.

CAT. NO. S1LN0Z

CRL Little Red Nozzle Caps

- Economical and Reusable
- Reduces Sealant Waste



These CRL Little Red Nozzle Caps have an award winning design for capping tubes of sealant, caulk, wood glue, paint, or anything else on your shop shelf that needs to be sealed and reused after it has been opened. These economical, reusable Little Red Nozzle Caps cut sealant waste. Placed over the nozzle of partially used sealant cartridges, they seal out air and dirt to preserve the quality of the remainder of the sealant. Little Red Nozzle Caps also make a perfect Romex wire termination, air tool inlet, and felt pen cap. The possibilities are limitless. 35 Caps per package. Minimum order is one pack.

CAT. NO. LRC35

CRL Nozzle Cutter

- Use on All Plastic Cartridges to Cut Nozzle Tip and Threaded Tip



Our CRL Nozzle Cutter is used to cut off the plastic threaded tip of the cartridge and then cut the nozzle tip to the desired opening size at the proper angle. NOTE: Keep SAFELY AWAY from children! EXTREME DANGER to fingers if accidentally inserted in the cutter inlet! Minimum order is one each.

CAT. NO. NC594

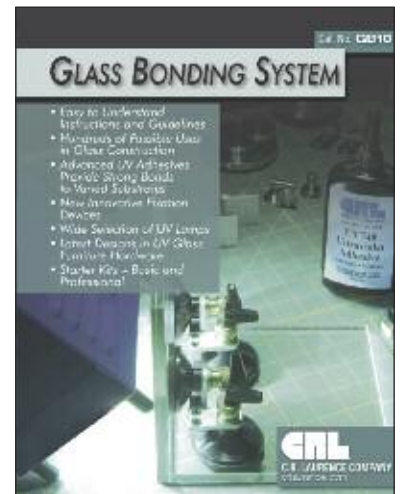
CRL UV Glass Bonding System Catalog

• Simplified Technology for Efficient and Safe Glass Bonding

CRL takes the mystery out of glass bonding with our complete line of UV and UV/Visible Light Adhesives, Fixation Devices, and UV Lamps. Everything you need with easy-to-understand instructions and guidelines to produce glass bonded work from functional glass furniture to beautiful glass artwork. There are hundreds of possible uses in glass construction with the Glass Bonding System from CRL.

New innovative Fixation Devices make construction faster and easier. Advanced UV Adhesives provide strong bonds to many different substrates including laminated glass, tempered glass, steel, aluminum, stainless steel, ceramic, stone, wood, and plastics. We have a wide selection of UV Lamps for fast bonding of all sizes of glass furniture. We even have basic UV Starter Kits for first time users and Professional Kits for full time users, plus all the right cleaners and accessories needed to make your job easier and more profitable. See them all in this full color catalog.

CAT. NO. GB10



CRL Fixation Devices

- Used When Curing UV Adhesives
- Prevents Bonding Parts From Moving While Curing
- Adjustable to Multiple Angles

It is absolutely critical that the bonded surfaces are kept stabilized and in a fixed position while UV Adhesives are curing. This is made possible by using these specially designed CRL Fixation Devices. From simple economical clamps to precision engineered, adjustable holders that are capable of placing the parts in precise angled positions, CRL offers a complete line of Fixation Devices designed for use when bonding UV Adhesives. These devices allow just one person to manage the steps involved when working with UV Adhesives. Using our CRL Fixation Devices properly will give professional results.



CRL Small Project UV Glass Bonding Kit

- An Affordable Way to Learn UV Glass Bonding Techniques
- Low Viscosity UV Adhesive in Crystal Clear and Colors
- Ships With Easy-To-Follow Instructions

Modern technology has allowed development of UV Glass Bonding Adhesives and Equipment to become user friendly to a point that by following simple step-by-step instructions, beautiful small UV bonding projects can be created easily. Small display cases, crystal repairs and even art projects with the colorful UV Adhesives provided are easy to complete. Minimum order is one each.



CAT. NO. UVSK1



CRL SMALL PROJECT UV GLASS BONDING KIT INCLUDES:

- 1 each Cat. No. UB80 DC UV Adhesive Curing Lamp
- 1 each Cat. No. UV701T10 Low Viscosity UV Adhesive
- 1 each Cat. No. UV90130 Red UV Adhesive
- 1 each Cat. No. UV90230 Yellow UV Adhesive
- 1 each Cat. No. UV90330 Blue UV Adhesive
- 5 each Cat. No. UVN35 Low Viscosity Applicator Needles
- 1 each Cat. No. UVS30 UV Spectacles
- 1 each Cat. No. UVA1 Application Needle Adapter
- 1 each Cat. No. RS65 Glass Scraper
- 12 pair Cat. No. 700512 Nitrile Gloves
- 1 pack Cat. No. Z100 Extra Fine Steel Wool
- 1 each Cat. No. T1408 Carrying Case

CRL Basic UV Glass Bonding Kit

- Complete Glass-to-Glass and Glass-to-Metal Projects
- Crystal Clear Medium-Bodied UV Adhesive
- Ships With Easy-to-Follow Instructions

Keep up with the growing trend of UV Glass Bonding with the CRL Basic UV Glass Bonding Kit. We provide you with the very versatile Medium Viscosity Glass-to-Glass and Glass-to-Metal UV Adhesive that allows you to UV bond our special selection of UV hardware to create displays, showcases, furniture, and more. Simple instructions included with the Kit will have you completing projects in no time. Minimum order is one each.



CAT. NO. UVSK2



CRL BASIC UV GLASS BONDING KIT INCLUDES:

- 1 each Cat. No. UV240 110 Volt UV Adhesive Curing Lamp
- 1 each Cat. No. UVS30 UV Protective Spectacles
- 1 each Cat. No. UV604L25 Medium Viscosity UV Adhesive
- 5 each Cat. No. UVN85 Medium Viscosity Applicator Needles
- 2 each Cat. No. UVA1 Application Needle Adapters
- 1 each Cat. No. RS65 Glass Scraper
- 100 each Cat. No. 51S Single Edge Razor Blades
- 12 pair Cat. No. 700512 Nitrile Gloves
- 1 pack Cat. No. Z100 Extra Fine Steel Wool
- 1 each Cat. No. CRL7528 Solvent Degreaser
- 1 each Cat. No. T1418 Carrying Case

CRL Professional UV Glass Bonding Kit With Tube Lamp

- Professional Quality Kit for UV Bonding
- Complete Larger Projects
- Ships With Easy-to-Follow Instructions

The CRL Professional UV Glass Bonding Kit With Tube Lamp provides you with all the basic equipment required to produce beautiful projects in your shop or on the job site. The Cat. No. UVBL15 UV Tube Lamp can be used to cure glass-to-metal hardware applications as well as longer bonding joints for furniture and display assemblies. Minimum order is one each.



CAT. NO. UVSK3



CRL PROFESSIONAL UV GLASS BONDING KIT WITH TUBE LAMP INCLUDES:

- 1 each Cat. No. UVBL15 110 Volt Adhesive Curing Tube Lamp
- 1 each Cat. No. UV604L25 Medium Viscosity UV Adhesive
- 1 each Cat. No. UV701T25 Low Viscosity UV Adhesive
- 5 each Cat. No. UVN85 Medium Viscosity Applicator Needles
- 5 each Cat. No. UVN35 Low Viscosity Applicator Needles
- 2 each Cat. No. UVA1 Application Needle Adapters
- 1 each Cat. No. RS65 Glass Scraper
- 100 each Cat. No. 51S Single Edge Razor Blades
- 12 pair Cat. No. 700512 Nitrile Gloves

- 1 pack Cat. No. Z100 Extra Fine Steel Wool
- 1 each Cat. No. CRL7528 Solvent Degreaser
- 1 each Cat. No. UVS30 UV Protective Spectacles
- 1 each Cat. No. UV69962 Mini Clamp-It® 90 Degree Fixation Set
- 1 each Cat. No. UV69954 Clamp-It® 90 Degree Fixation Set
- 2 each Cat. No. UV282 Adjustable Angle Fixation Device
- 4 each Cat. No. UV285 Eccentric Height Adjustment Stops
- 1 each Cat. No. UVB1N1 Storage Container

CRL Professional UV Glass Bonding Kit With High Intensity Lamp

- Our Four Most Popular UV Bonding Adhesives for a Wide Variety of Applications
- Fixation Devices Securely Position Your Work Pieces for Precise Fabrication

This CRL Professional UV Glass Bonding Kit features our powerful Z7596 High Intensity UV Lamp, designed to emit wave lengths of 365 nm, perfect for curing CRL UV Bonding Adhesives. Projects will take less time to complete, with full curing achieved quickly.

The different Fixation Devices included will enable you to position multitudes of glass arrangements securely during the UV Adhesive application and curing stages. These, combined with all of the other basic supplies and tools shown below, will set you apart from the competition and on your way to the growing popularity of finished UV bonded glass products. Minimum order is one each.



CAT. NO. UVSK4



CRL PROFESSIONAL UV GLASS BONDING KIT WITH HIGH INTENSITY LAMP INCLUDES:

- 1 each Cat. No. Z7596 110 Volt UV Adhesive Curing Lamp
- 1 each Cat. No. UV602L85 Medium Viscosity UV Adhesive
- 1 each Cat. No. UV604L25 Medium Viscosity UV Adhesive
- 1 each Cat. No. UV701T25 Low Viscosity UV Adhesive
- 1 each Cat. No. UV70310 High Viscosity UV Adhesive
- 2 each Cat. No. UV9SET Application Needle Sets
- 4 each Cat. No. UVA1 Application Needle Adapters
- 1 each Cat. No. RS65 Glass Scraper
- 100 each Cat. No. 51S Single Edge Razor Blades
- 12 pair Cat. No. 700512 Nitrile Gloves

- 1 pack Cat. No. Z100 Extra Fine Steel Wool
- 1 each Cat. No. CRL7528 Solvent Degreaser
- 1 each Cat. No. UV1575 Non-Contact Laser Thermometer
- 1 each Cat. No. WH7080 Small 90 Degree Fixation Device
- 1 each Cat. No. UV280 Large 90 Degree Fixation Device
- 1 each Cat. No. UV69962 Mini Clamp-It® 90 Degree Fixation Set
- 1 each Cat. No. UV69954 Clamp-It® 90 Degree Fixation Set
- 2 each Cat. No. UV282 Adjustable Angle Fixation Device
- 4 each Cat. No. UV285 Eccentric Height Adjustment Stops
- 1 each Cat. No. UVB1N2 Storage Container

Clamp-It is a registered trademark of Rockler Companies, Inc.

CRL Solvent Degreaser

- Cleans Up Uncured Adhesive
- Contains No Ozone Depleting Chemicals
- Evaporates Quickly



20 Oz. (567 g)

CRL Solvent Degreaser is a general-purpose cleaner ideal for preparing surfaces prior to use of adhesives and sealants. It removes all traces of grease and oils, and leaves no residue. 12 cans per case. Minimum order is one each.

CAT. NO. CRL7528

CRL S50 Sprayway® Glass Cleaner

- A Glass Industry Favorite for Years
- Ammonia Free Formula
- Fast Evaporation Rate
- Just Spray and Wipe Clean



19 Oz. (539 g)

CRL S50 is Sprayway's leading Glass Cleaner. The formula includes perfume-grade alcohols, which are the best cleaning agents you can use. It also has a fast evaporation rate, which keeps it from leaving a film and adversely interacting with other materials. 12 cans per case. Minimum order is one case.

CAT. NO. S50

CRL Hot Air Gun Kit

- Dual Heat and Fan Settings

After cleaning the bonding surfaces an invisible moisture residue remains which can negatively affect the strength of the bond. Remove this moisture quickly and reliably with the CRL Hot Air Gun Kit. It has dual heat and fan settings: 1000 W - 375°C/700°F and 1500 W - 495°C/925°F. Also excellent for use in putty removal, paint removal, plastic pipe welding, and other jobs that require this type of tool.



CAT. NO.	DESCRIPTION
LD121	110V Hot Air Gun Kit
LD121AU	240V Hot Air Gun Kit w/AU Plug
LD121EU	220V Hot Air Gun Kit w/EU Plug

Minimum order: 1 each.

CRL Milwaukee® Heat Gun

- Variable Temperature With Heat Adjustment Dial
- Ideal for Removing Residual Moisture After Cleaning



After cleaning the bonding surfaces an invisible moisture residue remains which can negatively affect the strength of the bond. Remove this moisture quickly and reliably with this variable temperature Heat Gun. It offers a range from 200 to 1050°F (93 to 565°C) that is controlled with a heat adjustment dial. The electrical heat control allows extra reduction of airflow for more accurate and concentrated heat location without damage to the heating element. Double insulated 110V AC tool features a unique impact resistant heating element. Minimum order is one each.

CAT. NO. UV8978

CRL Non-Contact Thermometer

- Monitors Glass Temperature While Heating for Optimum Bond Results
- Built-In Laser Pointer
- Digital Display Switches Easily From Fahrenheit to Celsius

Now you can easily confirm the temperature of your bonding materials with the CRL Non-Contact Thermometer. No more guessing or risking burns with a touch test. This tool will tell you via digital display when your bonding components reach the 140 to 160°F (60 to 71°C) preheat stage required for a permanent bond. Easy one button control for switching between Fahrenheit and Celsius readings. Powered by two AAA batteries (included). Minimum order is one each.

Sprayway is a registered trademark of Claire-Sprayway, Inc.
Milwaukee is a registered trademark of Milwaukee Electric Tool Corporation.



CAT. NO. UV1575

CRL UV Glass Bonding Adhesives

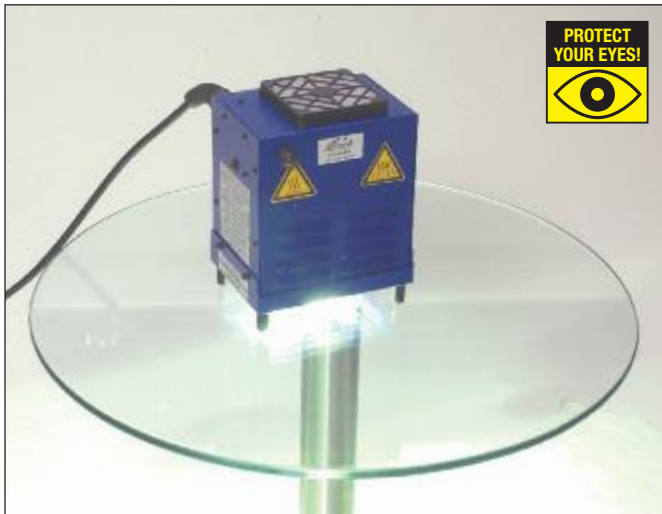
The Benefits of UV Curing Adhesive Technology Are Many



Join the Growing Trend of UV Glass Bonding

The use of glass combined with other materials continues to grow year after year. Store displays, showcases, and furniture designs are being produced without the usual mechanical fasteners and moving toward the clean, transparent look of UV bonded components.

The technological development of UV Glass Bonding over the years has enabled us to present a range of adhesives with a unique combination of performance, design, and processing benefits. You now have choices of adhesives with varying curing times that allow you to align parts precisely prior to curing.



UV Adhesive Technology for Common Use

These amazing materials have properties that allow them to remain in a liquid state during proper storage and are able to then cure with UV light exposure in a matter of seconds.

Using the properties of ultraviolet light, high curing speeds take the place of common slow evaporation methods for maximum production. Material construction combinations now include glass-to-glass, glass-to-metal, and glass-to-stone, further expanding the opportunities for creative designs more than ever.

Maximum strength developed between components is developed by keeping the gap between their surfaces as small as possible, optimally between 0.04 and 0.5 mm.



It's Now Easier to Fabricate Than Ever Before

The best finished appearance for projects is achieved when glass edges are precisely ground and polished and when all other surfaces to be bonded are as smooth as possible.

Following the simple, step-by-step instructions provided to you for pre-treatment, proper fixation of the components, careful application of the adhesive, and the correct method for curing, can result in the production of unique, creative, and practical products.

CRL's staff of trained technicians is always available to provide you with the answers to your production questions and any other UV bonding requirements you may have as you familiarize yourself with this exciting new industry segment.

Contact CRL Customer Service Department at (800) 421-6144 in the U.S., (877) 421-6144 from Canada, or (323) 588-1281 International, and ask for Ext. 5275. You can also e-mail us through our web site, crlaurence.com. From the home page click on Contact Us, and then click on Customer Service.

CRL UV703 High Viscosity UV Adhesive

- Use to Adhere All-Glass Showcases, Shelves, Furniture, Towel Bars, and Standoff Bases
- Optically Clear
- Fast, High-Strength Bonds

CRL UV703 is a high viscosity, 100% solids, general purpose adhesive that forms resilient, high strength bonds between materials such as glass, steel, aluminum, stainless steel, and many plastics.

CRL UV703 is ideal for making all-glass showcases, glass shelves, and glass furniture. This adhesive does not have capillary properties; therefore it must be applied to the bonding surface prior to assembling the parts. It is ideal for bonding Glass Door Knobs or Metal Towel Bars in frameless shower door installations, as well as adhering metal Standoff Bases to glass.

Bonds prepared with CRL UV703 are optically clear as well as resistant to moisture and yellowing. The adhesive cures within seconds upon exposure to ultraviolet light. The speed of cure depends on the UV intensity as measured at the product surface, as well as the adhesive depth. CRL UV703 has outstanding ability to cure through large gaps, and cures to a hard surface that is transparent. Store adhesive away from sunlight.

CRL7528 Solvent Degreaser provides for optimum adhesion when used first to prepare the glass by removing any dirt and grease that is present.

NOTE: When bonding plastics, always test first, as not all plastics can be bonded properly. Do not bond any coated parts (powder coated or galvanized) with this adhesive.

SPEC. DATA

MSDS



CAT. NO. CRL7528*
Solvent Degreaser

CAT. NO.	DESCRIPTION	CONTENTS
UV70330	High Viscosity UV Adhesive	30g
UV70310	High Viscosity UV Adhesive	100g
UV70325	High Viscosity UV Adhesive	250g
UV7031K	High Viscosity UV Adhesive	1000g
CRL7528	Solvent Degreaser	20 Oz. (567g)

Minimum order: 1 each. *CRL Solvent Degreaser cannot be shipped via air freight.

CRL UV701T Low Viscosity UV Adhesive

- Ideal for Production of Glass Furniture
- Cures Within Seconds Upon Exposure to UV Light
- Capillary Action
- Optically Clear

CRL UV701T is a low viscosity, 100% solids, adhesive that forms resilient, high strength bonds coupled with good elasticity between materials such as glass, steel, aluminum, stainless steel, and many plastics.

Due to its excellent capillary action (low viscosity) it is ideal for glass-to-glass and tempered glass-to-tempered glass bonding, primarily in the construction of showcases and the efficient production of glass furniture. Reduced clean-up time means glass furniture production cycles are done quickly and efficiently.

Bonds prepared with CRL UV701T are optically clear as well as resistant to moisture and yellowing. The adhesive cures within seconds upon exposure to ultraviolet light. The speed of cure depends on the UV intensity as measured at the product surface, as well as the adhesive depth. Store adhesive away from sunlight.

CRL7528 Solvent Degreaser provides for optimum adhesion when used first to prepare the glass by removing any dirt and grease that is present.

NOTE: When bonding plastics, always test first, as not all plastics can be bonded properly. Do not bond any coated parts (powder coated or galvanized) with this adhesive.

SPEC. DATA

MSDS



CAT. NO. CRL7528*
Solvent Degreaser

CAT. NO.	DESCRIPTION	CONTENTS
UV70130	Low Viscosity UV Adhesive	30g
UV70110	Low Viscosity UV Adhesive	100g
UV70125	Low Viscosity UV Adhesive	250g
UV7011K	Low Viscosity UV Adhesive	1000g
CRL7528	Solvent Degreaser	20 Oz. (567g)

Minimum order: 1 each. *CRL Solvent Degreaser cannot be shipped via air freight.

CRL UV602L UV/Visible Light Adhesive

- Bonds Laminated Glass
- UV and Visible Light Cure
- Medium Viscosity With Capillary Action
- Optically Clear
- Best Adhesion to Plastics

CRL UV602L is a medium viscosity, 100% solids, UV/visible light curable adhesive that bonds to a variety of substrates such as glass, laminated glass, metal, ceramic, and many plastics. It has good capillary action with glass up to 1/4" (6 mm) thick. For thicker glass apply to the bonding surface prior to assembly.

Of particular interest is its suitability for bonding laminated safety glass. The PVB film between laminated glass panes absorbs almost all of the UVA radiation, but because this adhesive has been made to also cure by daylight, it reacts with the remaining radiation (above 380 nm) and cures completely. Butt-edge bonding is also no problem, as the adhesive does not affect the PVB film.

Cured bonds of CRL UV602L are optically clear, extremely flexible, and demonstrate outstanding elongation, making this adhesive ideal for bonding different material combinations. Bonds are tough, durable, exhibit high vibration resistance, and are very resistant to moisture and yellowing. Store adhesive away from sunlight.

CRL7528 Solvent Degreaser provides for optimum adhesion when used first to prepare the glass by removing any dirt and grease that is present.

NOTE: When bonding plastics, always test first, as not all plastics can be bonded properly. Do not bond any coated parts (powder coated or galvanized) with this adhesive.

SPEC. DATA

MSDS



85g



1000g



Laminated Glass Butt-Edge Bond

CAT. NO. CRL7528*
Solvent Degreaser

CAT. NO.	DESCRIPTION	CONTENTS
UV602L85	UV/Visible Light Adhesive	85g
UV602L1K	UV/Visible Light Adhesive	1000g
CRL7528	Solvent Degreaser	20 Oz. (567g)

Minimum order: 1 each. *CRL Solvent Degreaser cannot be shipped via air freight.

CRL UV604L UV/Visible Light Adhesive

- Especially Strong Glass to Metal Bonds
- UV and Visible Light Cure
- Medium Viscosity
- Optically Clear

CRL UV604L is a medium viscosity, 100% solids, UV/visible light curable adhesive formulated to form high tensile shear and peel strength bonds to a variety of substrates such as glass, laminated glass, steel, stainless steel, aluminum, ceramic, stone, wood and some plastics. This adhesive does not have capillary properties; therefore it must be applied to the bonding surface prior to assembling the parts.

Of particular interest is its suitability of bonding laminated safety glass. The PVB film between laminated glass panes absorbs almost all of the UVA radiation, but because this adhesive has been made to also cure by daylight, it reacts with the remaining radiation (above 380 nm) and cures completely.

Cured bonds of CRL UV604L are optically clear, resistant to moisture and thermal cycling. Store adhesive away from sunlight.

CRL7528 Solvent Degreaser provides for optimum adhesion when used first to prepare the glass by removing any dirt and grease that is present.

NOTE: When bonding plastics, always test first, as not all plastics can be bonded properly. Do not bond any coated parts (powder coated or galvanized) with this adhesive.

SPEC. DATA

MSDS



30g



100g



250g



1000g



CAT. NO. CRL7528*
Solvent Degreaser

CAT. NO.	DESCRIPTION	CONTENTS
UV604L30	UV/Visible Light Adhesive	30g
UV604L10	UV/Visible Light Adhesive	100g
UV604L25	UV/Visible Light Adhesive	250g
UV604L1K	UV/Visible Light Adhesive	1000g
CRL7528	Solvent Degreaser	20 Oz. (567g)

Minimum order: 1 each. *CRL Solvent Degreaser cannot be shipped via air freight.

CRL UV601 Low Viscosity UV Adhesive

- Ideal for Glass-to-Glass Bonding
- Capillary Action
- Optically Clear

CRL UV601 is a low viscosity, 100% solids adhesive that forms resilient, high strength bonds between materials such as glass, metal, wood, and many plastics.

Due to its high purity UV601 is especially suited for bonding glass-to-glass where looks are paramount, making it suitable for bonding optical components. Because of its excellent capillary action (low viscosity) it is ideal for glass-to-glass and tempered glass-to-tempered glass bonding, primarily in the construction of showcases and the efficient production of glass furniture. Reduced clean-up time means glass furniture production cycles are done quickly and efficiently.

Bonds prepared with CRL UV601 are optically clear. The adhesive cures within seconds upon exposure to ultraviolet light. The speed of cure depends on the UV intensity as measured at the product surface, as well as the adhesive depth. Store adhesive away from sunlight.

CRL7528 Solvent Degreaser provides for optimum adhesion when used first to prepare the glass by removing any dirt and grease that is present.

NOTE: When bonding plastics, always test first, as not all plastics can be bonded properly. Do not bond any coated parts (powder coated or galvanized) with this adhesive.



CAT. NO.	DESCRIPTION	CONTENTS
UV60130	Low Viscosity UV Adhesive	30g
UV60110	Low Viscosity UV Adhesive	100g
UV60125	Low Viscosity UV Adhesive	250g
UV6011K	Low Viscosity UV Adhesive	1000g
CRL7528	Solvent Degreaser	20 oz. (567g)

Minimum order: 1 each. *CRL Solvent Degreaser cannot be shipped via air freight.

CRL UV603T Medium Viscosity UV Adhesive

- Extremely Flexible for Bonding Different Materials and Surface Bonding
- Capillary Action
- Optically Clear

CRL UV603T is a medium viscosity, 100% solids, general purpose adhesive that forms resilient, high strength bonds between materials such as glass, metal, ceramic, and many plastics.

CRL UV603T is extremely flexible, and demonstrates outstanding elongation, making it ideal for bonding different materials, as well as for surface bonding up to 1 m² (10.8 ft²). It shows good capillary action with glass up to 1/4" (6 mm) thick. For thicker glass apply to the bonding surface prior to assembly.

Bonds prepared with CRL UV603T are optically clear as well as resistant to moisture and yellowing. The adhesive cures within seconds upon exposure to ultraviolet light. The speed of cure depends on the UV intensity as measured at the product surface, as well as the adhesive depth. Store adhesive away from sunlight.

CRL7528 Solvent Degreaser provides for optimum adhesion when used first to prepare the glass by removing any dirt and grease that is present.

NOTE: When bonding plastics, always test first, as not all plastics can be bonded properly. Do not bond any coated parts (powder coated or galvanized) with this adhesive.



CAT. NO.	DESCRIPTION	CONTENTS
UV603T85	Medium Viscosity UV Adhesive	85g
UV603T1K	Medium Viscosity UV Adhesive	1000g
CRL7528	Solvent Degreaser	20 oz. (567g)

Minimum order: 1 each. *CRL Solvent Degreaser cannot be shipped via air freight.

CRL UV702 High Viscosity UV Adhesive

- Withstands High Static and Dynamic Forces
- Optically Clear
- Suitable for Universal Applications

CRL UV702 is a high viscosity, 100% solids, general purpose adhesive that forms resilient, high strength bonds between materials such as glass, metal, stone, wood, and many plastics.

CRL UV702 is ideal for making 'all-glass' showcases, glass shelves, and glass furniture. This adhesive does not have capillary properties, therefore it must be applied to the bonding surface prior to assembling the part. Ideal for bonding glass door knobs or metal towel bars in frameless shower door installations, as well as adhering metal standoff bases to glass.

Bonds prepared with CRL UV702 are optically clear as well as resistant to moisture and yellowing. The adhesive cures within seconds upon exposure to ultraviolet light. The speed of cure depends on the UV intensity as measured at the product surface, as well as the adhesive depth. CRL UV702 has outstanding ability to cure through large gaps and it cures to a hard surface that is transparent. Store adhesive away from sunlight.

CRL7528 Solvent Degreaser provides for optimum adhesion when used first to prepare the glass by removing any dirt and grease that is present.

NOTE: When bonding plastics, always test first, as not all plastics can be bonded properly. Do not bond any coated parts (powder coated or galvanized) with this adhesive.



SPEC. DATA

MSDS



CAT. NO. CRL7528*
Solvent Degreaser

CAT. NO.	DESCRIPTION	CONTENTS
UV70230	High Viscosity UV Adhesive	30g
UV70210	High Viscosity UV Adhesive	100g
UV70225	High Viscosity UV Adhesive	250g
UV7021K	High Viscosity UV Adhesive	1000g
CRL7528	Solvent Degreaser	20 Oz. (567g)

Minimum order: 1 each. *CRL Solvent Degreaser cannot be shipped via air freight.

CRL Colored UV Adhesives

- Five Colors Plus Clear for Surface Bonding of Glass Parts
- Brilliant, High Intensity Colors
- Bonds Bevels Onto Glass or Mirror
- Thin Viscosity



CAT. NO. CRL7528*
Solvent Degreaser

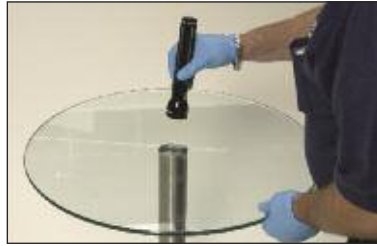
CRL Colored UV Adhesives are designed for bonding larger glass surfaces to make decorative colored pieces. An example would be a mirror with beveled clear glass bonded to the surface. The five different moisture-resistant colors can be used separately or mixed together for a wide range of color effects that are seen through the clear glass overlays. The Clear Base Adhesive is used to dilute the high intensity colors to produce a wide range of color options or to create separations between colors. This adhesive is intended for surface bonding only, and should never be used to bond edges (furniture construction). Due to the high color pigmentation the setting time is three to five times longer than typical clear UV adhesives and bonds are not as strong. Hands should be protected from the high color pigments by wearing our Disposable Nitrile Gloves Cat. No. 700512.

CAT. NO.	DESCRIPTION	CONTENTS
UV90030	Clear Base UV Adhesive	30g
UV90010	Clear Base UV Adhesive	100g
UV90130	Red UV Adhesive	30g
UV90110	Red UV Adhesive	100g
UV90230	Yellow UV Adhesive	30g
UV90210	Yellow UV Adhesive	100g
UV90330	Blue UV Adhesive	30g
UV90310	Blue UV Adhesive	100g
UV90430	Green UV Adhesive	30g
UV90410	Green UV Adhesive	100g
UV90530	Black UV Adhesive	30g
UV90510	Black UV Adhesive	100g
UV900KT	Set of Six Colors	30g Each
CRL7528	Solvent Degreaser	20 Oz. (567g)

Minimum order: 1 each. *CRL Solvent Degreaser cannot be shipped via air freight.

CRL Loctite® Impruv® UV Adhesive

- Bonds and Seals Glass-to-Glass, or Glass-to-Metal Components
- Optically Clear UV Adhesive
- Cures Within Seconds



CRL Loctite® UV Adhesive is a one-part, high viscosity adhesive with an ultraviolet cure system. Tough, durable bonds can be formed with excellent adhesion to glass, metal and some thermoplastics. Ideal for making all glass showcases, glass shelves, furniture, etc. The adhesive cures within seconds upon exposure to UV light from a curing lamp to form a transparent bond. This product is cured when exposed to UV radiation of 365nm. The speed of cure will depend on the UV intensity as measured at the product surface, as well as the coating depth. UV349 has an outstanding ability to cure through large gaps and to cure to a hard, dry surface that is water clear. CRL Loctite® 20162 Cleaner and Degreaser is offered for optimum glass preparation, and removal of dirt and grease.

COVERAGE:

Approximate coverage of a 1.69 fl. oz. bottle:
 1/16" (1.6 mm) bead - 1,000 linear inches (25 m)
 1/8" (3 mm) bead - 250 linear inches (6.3 m).



CAT. NO. UV349
UV Adhesive



CAT. NO. 20162*
Cleaner and Degreaser

CAT. NO.	DESCRIPTION	CONTENTS
UV349	UV Clear Adhesive	1.69 Fl. Oz. (50 ml)
UV34990	UV Clear Adhesive	33.8 Fl. Oz. (1 l)
20162	Cleaner and Degreaser	16 Fl. Oz. (473 ml)

Minimum order: 1 each. *Loctite Cleaner and Degreaser cannot be shipped via air freight.

CRL Loctite® Poxy-Pak™ Clear Two-Part Epoxy

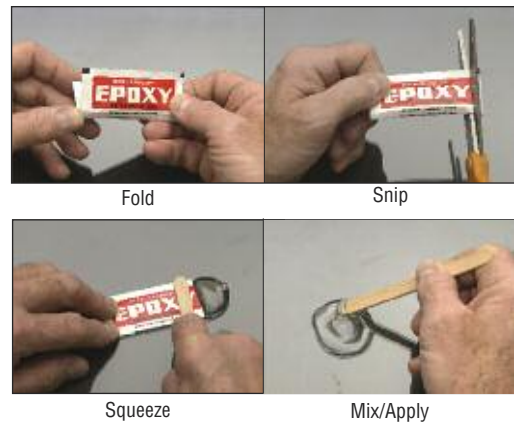
- Pre-Measured Resin and Hardener for Easy Applications, Consistent Strength
- Resealable – No Waste
- Bonds Virtually Any Material

CRL Loctite® Poxy-Pak™ Clear Adhesive is a rapid cure two-part epoxy that reaches handling strength in about five minutes, and fully cures in 45 to 60 minutes. Poxy-Pak™ is easily dispensed from the two-cylinder syringe in any amount you need. It bonds metals, ceramics, concrete, wood, glass, and most plastics. It's inexpensive to use, as the unused portion can be re-sealed and saved. May be drilled, tapped, sanded, machined and painted after it cures. Poxy-Pak™ cures at room temperature, and can withstand temperatures up to 300°F (149°C).



CRL Double/Bubble® Extra Fast Setting Epoxy

- Clear Color



This extra fast setting, two-component, room temperature curing Epoxy is clear in color, and provides handling strength in only 15 to 30 minutes. Bonds to most substrates including: glass, metal (carbon steel, stainless steel, aluminum), wood, concrete, stone, ceramics, leather, china, and many plastics. Cures in temperatures as low as 0°F (-18°C). Cured epoxy withstands temperatures to 180°F (82°C). Net weight per pouch is 3.5 grams (.12 oz.). Minimum order is five each.



CAT. NO. DB04001



CAT. NO.	CONTENTS	QTY/CASE
81120	1 Fl. Oz. (29 ml)	12

Minimum order: 1 each.

Loctite and Impruv are registered trademarks of Henkel Corporation. Double/Bubble is a registered trademark of Royal Adhesives and Sealants, LLC.

CRL UV ADHESIVE PROPERTIES AT A GLANCE

UV ADHESIVE	VISCOSITY	FINAL CONSISTENCY	TENSILE/SHEAR STRENGTH*	BONDLINE GAP	MAX. ALLOWABLE CONTINUOUS TEMPERATURE**	TEMPERATURE RANGE-PEAK VALUES	COLOR
CRL UV601	20 - 100 cps at 25°C (77°F)	Very Hard Shore D 70 - 80	2460 psi	0.5 - 1 mil	50°C (122°F)	-40°C - 125°C (-40°F - 257°F)	Optically Clear
CRL UV701T	10 - 150 cps at 25°C (77°F)	Elastic Shore D 55 - 70	1737 psi	1 - 2 mils	70°C (158°F)	-40°C - 120°C (-40°F - 248°F)	Optically Clear
CRL UV602L	400 - 800 cps at 25°C (77°F)	Elastic Shore D 25 - 35	1450 psi	0.5 - 1 mil	50°C (122°F)	-50°C - 150°C (-58°F - 302°F)	Optically Clear
CRL UV603T	400 - 800 cps at 25°C (77°F)	Elastic Shore D 25 - 35	1450 psi	0.5 - 1 mil	50°C (122°F)	-50°C - 150°C (-58°F - 302°F)	Optically Clear
CRL UV604L	500 - 1000 cps at 25°C (77°F)	Very Hard Shore D 65 - 75	2968 psi	0.5 - 1 mil	50°C (122°F)	-40°C - 130°C (-40°F - 266°F)	Optically Clear
CRL UV702	1000 - 2000 cps at 25°C (77°F)	Hard Shore D 60 - 70	1625 psi	1 - 2 mils	70°C (158°F)	-40°C - 120°C (-40°F - 248°F)	Optically Clear
CRL UV703	3000 - 6000 cps at 25°C (77°F)	Very Hard Shore D 50 - 60	2046 psi	1 - 2 mils	70°C (158°F)	-40°C - 120°C (-40°F - 248°F)	Optically Clear
LOCTITE® IMPRUV®	6000 - 13500 mPas at 25°C (77°F)	Very Hard Shore D 70	2175 psi	N/A	N/A	-54°C - 150°C (-65°F - 302°F)	Optically Clear

* When recommended minimum and maximum layer thicknesses are taken into consideration, the tensile/shear strengths listed in the table can be achieved.

** The maximum allowable continuous temperature shows the maximum temperature at which the cured adhesive is not irreversibly damaged. With increasing temperatures the maximum strength steadily decreases.

THESE ARE TYPICAL PROPERTIES AND ARE NOT MEANT TO BE PRODUCT SPECIFICATIONS.

NOTE: The information contained in this chart and product pages are believed to be reliable. C.R. Laurence Co., Inc. makes no representation or warranties of any kind concerning this information. It is the user's responsibility to determine the suitability of this product for any intended use. The user assumes all risk and liability connected with the use of these products.

Loctite and Impruv are registered trademarks of Henkel Corporation.

CRL UV ADHESIVE PROPERTIES AT A GLANCE

UV ADHESIVE	PROPERTIES	APPLICATIONS	BONDING SUBSTRATES (BY PRIORITY)	STORAGE IN ORIGINAL CONTAINER
CRL UV601	Excellent capillary action, resistant to moisture.	Efficient production of glass furniture and showcases. Easy clean-up. Suitable for optical components.	Glass-to-glass, glass-to-metal, wood, many plastics.	Cool, dry, dark location (without UV radiation).
CRL UV701T	Excellent capillary action, resistant to moisture and yellowing.	Efficient production of glass furniture and showcases. Easy clean-up.	Glass-to-glass, tempered glass-to-tempered glass, glass-to-metal (steel, aluminum, stainless steel), glass to many plastics.	Cool, dry, dark location (without UV radiation).
CRL UV602L	Good capillary action, high vibration resistance, resistant to moisture and yellowing.	Especially for bonding laminated glass, ideal for bonding different material combinations.	Laminated glass to: glass, laminated glass, metal, ceramic, many plastics.	Cool, dry, dark location (without UV radiation).
CRL UV603T	Good capillary action, extremely flexible, high vibration resistance, resistant to moisture and yellowing.	Ideal for bonding different material combinations, surface bonding up to 1 m ² .	Glass-to-glass, glass-to-metal, glass-to-ceramic, glass to many plastics.	Cool, dry, dark location (without UV radiation).
CRL UV604L	Apply prior to glass assembly, resistant to moisture and thermal cycling, high tensile shear and peel strength bonds.	Especially for glass-to-metal bonding in furniture production.	Glass-to-metal, glass-to-glass, tempered-glass-to-tempered glass, glass-to-metal (steel, aluminum, stainless steel), ceramic, stone, wood, and some plastics.	Cool, dry, dark location (without UV radiation).
CRL UV702	Apply prior to glass assembly, resistant to moisture and thermal cycling.	Constructions subject to high static loads, difficult climate conditions especially for glass/metal bonding in furniture production.	Glass-to-metal, glass-to-glass, tempered glass-to-tempered glass, glass-to-stone, glass-to-wood, glass to many plastics.	Cool, dry, dark location (without UV radiation).
CRL UV703	Apply prior to glass assembly, resistant to moisture and yellowing.	Shower enclosure glass knobs and metal towel bars, metal standoff bases, glass shelves, showcases, glass sculptures.	Glass-to-glass, glass-to-metal (steel, aluminum, stainless steel), glass to many plastics.	Cool, dry, dark location (without UV radiation).
LOCTITE® IMPRUV®	Apply prior to glass assembly.	Shower enclosure glass knobs and metal towel bars, metal standoff bases, glass shelves, showcases, glass sculptures.	Glass-to-glass, glass-to-metal.	Cool, dry, dark location (without UV radiation).



Loctite and Impruv are registered trademarks of Henkel Corporation.

CRL Adjustable Inside 90 Degree Suction Holder

- Adjustable Height and Position
- Suction Cups Hold Glass Firmly in Place at 90 Degrees While Adhesive Cures

This CRL Adjustable Inside 90 Degree Suction Holder firmly grips glass from the inside surface at 90 degrees. Height and position can be adjusted up to 5/16" (8 mm) by knobs located on each arm for precise UV adhesive application. Glass pieces are held firmly in place by 2-1/8" (54 mm) diameter rubber suction pads until they are bonded. Minimum order is one each.

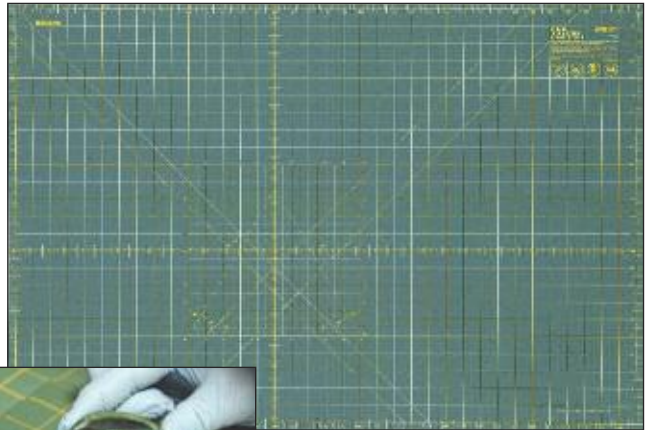


CAT. NO. WH7080

CRL UV Lay-Out Mat

- Accurately Position Your UV Projects
- Easy to Read Grid Lines With 45, 90, and 135 Degree Calibrations

CRL's UV Lay-Out Mat covers a large 24" x 36" (610 x 914 mm) work surface and lets you check your bonding project for square prior to adhesive application. The surface is self-healing should you also use it for razor cutting. Flip it over to the blank side and you have a durable, protective surface for your other work. Minimum order is one each.



CAT. NO. UV9891

CRL UV Bonding Work Surface Carpet

- Dark Color Absorbs UV Light
- Special Long Wearing High Density Material

This CRL UV Bonding Work Surface Carpet makes an ideal work area and protects against glass damage. It's light-absorbing material is appropriate when setting your UV bonding lamps aside. Note that you should never set your lamps face-down directly on this carpet as excessive heat build up will take place (always use a guard or other support). Carpet measures 36" x 72" (914 x 1829 mm). Minimum order is one each.



CAT. NO. UV3672

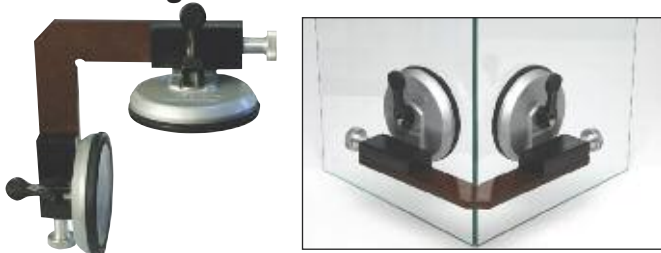
CRL Adjustable Angle Suction Holder

- Holds Glass From Inside or Outside Surfaces While UV or Silicone Adhesive Cures
- Adjustable

CRL Adjustable Angle Suction Holder holds glass panels from the inside or outside surfaces. Glass panels can be fixed at desired angle and adhered by UV or silicone adhesives easily. Height and position can be adjusted 11/16" (18 mm) by knobs at each arm. The 4-3/4" (120 mm) rubber suction pad with lip holds the glass panels firmly until the adhesive cures and they stick to each other. It is adjustable between 40 and 300 degrees. Minimum order is one each.



CRL 90 Degree Outside Surface Tool



- Holds Glass From Outside Surfaces While UV or Silicone Adhesive Cures
- Adjustable

CRL 90 Degree Outside Surface Tool holds glass panels from the outside surfaces. Glass panels can be fixed at 90 degree angles and adhered by UV or silicone adhesives easily. Height and position can be adjusted 11/16" (18 mm) by knobs at each arm. The 4-3/4" (120 mm) rubber suction pad with lip holds the glass panels firmly until the adhesive cures and they stick to each other. Minimum order is one each.

CAT. NO. UV281

CRL 90 Degree Inside Surface Tool

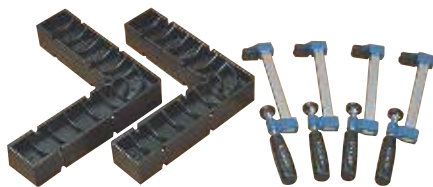


- Holds Glass From Inside Surfaces While UV or Silicone Adhesive Cures
- Adjustable

CRL 90 Degree Inside Surface Tool holds glass panels from the inside surfaces. Glass panels can be fixed at 90 degree angles and adhered by UV or silicone adhesives easily. Height and position can be adjusted 11/16" (18 mm) by knobs at each arm. The 4-3/4" (120 mm) rubber suction pad with lip holds the glass panels firmly until the adhesive cures and they stick to each other. Minimum order is one each.

CAT. NO. UV280

CRL 90 Degree Clamp-It Square Tool Kit



- Ideal For Drill-Press Jigs or Adding a Shelf
- Rigid Polycarbonate Construction

CRL 90 Degree Clamp-It Square Kit includes everything needed to clamp two corners at a time: two original Clamp-It Assembly Squares and four 5" (127 mm) Clamp-It Bar Clamps. The Bar Clamp is held in place on the Clamp-It Assembly Square with a friction fit to make operation quick, easy, and one-handed. Assembly Square measures 8" x 8" x 1-1/2" (203 x 203 x 38 mm). Minimum order is one each.

CAT. NO. UV69954

CRL Angle Suction Holder Adjustable Between 45 and 300 Degree

- Adjustable Between 45 and 300 Degrees
- Precise Adjustment to Any Desired Position
- Suction Cups Hold Glass Firmly in Place While Adhesive Cures



This CRL Adjustable Angle Suction Holder grips glass from outside or inside surfaces. Position can be precisely adjusted by a knob. Glass is held firmly in place with 4-1/2" (114 mm) diameter rubber suction pads until the surfaces are firmly bonded.

NOTE: Do not use to lift or carry glass or marble. Minimum order is one each.

CAT. NO. WH9602G

CRL Frameless Shower Super Kit

new

- **Convenient Kit Containing Everything Needed for a Professional Frameless Shower Door Installation**

The CRL Frameless Shower Super Kit provides the professional installer with a good selection of tools to assist with frameless shower door installs.



CAT. NO. FSSK1

FSSK1 FRAMELESS SHOWER SUPER KIT CONSISTS OF ONE EACH OF THE FOLLOWING UNLESS NOTED OTHERWISE:

CAT. NO.	DESCRIPTION
FA3W	Frameless Alignment Tool
GRT14	1/4" GROO-V Tip® Granite Drill Bit (5 Each)
GRT316	3/16" GROO-V Tip® Granite Drill Bit (5 Each)
MAT1	Magnetic Alignment Tool
PLF1	Plumb/Level Gauge Set
PR2S	Perfect Reveal Tool (1 Pair)
SS2L	Super Shim Leveler (1 Pair)
UV282	Adjustable Suction Clamp
T1418	Tool Box With Tray

Minimum order: 1 each.

CRL Third Hand Fixture Device

- **4-1/2" (114 mm) Vacuum Cup**
- **Adjustable Clamp Bar**
- **Dual Threaded Screw Clamps**

The CRL Third Hand Fixture Device is the perfect solution for applying the pressure needed to bond UV and shower door hardware in place during heating and curing. The adjustable steel sliding bracket allows for precise positioning of clamp tips over your hardware. The clamp screws can accommodate knobs or bars exceeding 2" (51 mm) in height. Simply attach the 4-1/2" (114 mm) pump action vacuum cup within 2" or 3" (51 to 76 mm) of the hardware mounting point, adjust the clamp bar to center a clamp tip over the hardware, and screw one of the clamps down to secure the hardware in place. For added pressure when working with higher viscosity adhesives, lower the second clamp tip down onto the surface and tighten. Using the vacuum cup as a fulcrum in this way helps to force air bubbles out of adhesive and create the tightest possible gap to enhance adhesive performance. The CRL Third Hand Fixture Device can also be used to hold automotive trims and moldings in place while the adhesive cures. Minimum order is one each.



CAT. NO. UV91111

CRL Multi-Purpose SwasiClamp

- **Use for Inside or Outside Angle Applications**
- **Shower Door Fixed Panel Assembly**
- **UV Assembly Bonding**
- **UV Hardware Clamping**

The CRL Multi-Purpose SwasiClamp is a totally new clamp design intended to solve a variety of problems in fastening components together while bonding or sealing. This unique clamping device features a lever-actuated 4-3/4" (121 mm) vacuum cup connected to a three-piece articulated arm, which ends with a threaded plunger arm. SwasiClamp can be turned, twisted, or reversed to solve virtually any clamping job ranging in length up to 13" (330 mm).

Add the CRL SwasiClamp Accessory Kit and double your range of options. Consisting of an additional 4-3/4" (121 mm) vacuum cup and another threaded plunger arm, this Kit allows clamping of additional angles and added force to original configurations. The Accessory Plunger Arm can clip onto the SwasiClamp articulated arm or into the Accessory Vacuum Cup. Whether your work scope involves shower doors or glass furniture bonding with UV Adhesives, the CRL SwasiClamp and SwasiClamp Accessory Kit are the installer's new best friend.

GROO-V Tip is a registered trademark of Relton Corporation.



CAT. NO. UV2010



Cat. No. UV2010 Shown With Cat. No. UV2010A



CAT. NO. UV2010A

CAT. NO.	DESCRIPTION
UV2010	SwasiClamp
UV2010A	SwasiClamp Accessory Kit

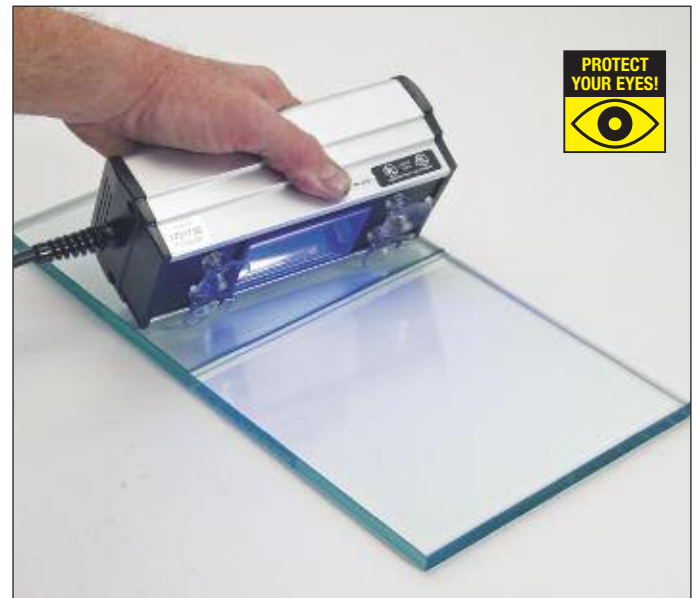
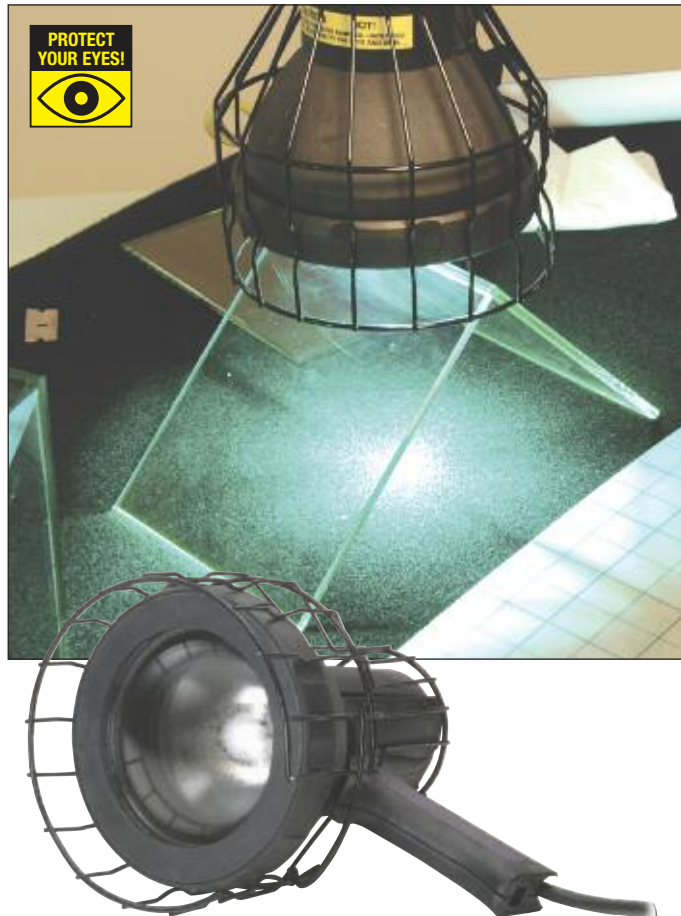
Minimum order: 1 each.

CRL UV Curing Lamps and Accessories

Curing UV Adhesives

To cure the technologically advanced UV Adhesives offered by C.R. Laurence, UVA Lamps emitting wave lengths in the range of 315-400 nm are required. A comprehensive selection of models is available to meet all the requirements to construct beautifully finished showcase, display, furniture, and specialty projects.

Depending on the type of construction used, the choice of the proper UV Curing Lamps is essential. Depending on the choice of lamp used, prior testing is recommended to determine full cure time based on the lamp's strength and the age of the bulb. Our Cat. No. UV1365 UV Transmission and Power Meter (see page 510J) can provide precise ratings when needed.



Bonding metal hardware to glass requires a smaller UV light area for the quickest cure times. Our Cat. Nos. UV255 and Z7596 Lamps are ideal choices. Only about 10 to 15 seconds are required for an initial set, and 90 to 120 seconds for full cure. Our Cat. No. UB80 Lamp takes longer for the initial set, approximately 60 to 90 seconds, and four to six minutes for final cure. Our Cat. No. UV240 Lamp provides an initial set of 25 to 30 seconds, and three to four minutes for full cure.

Longer lengths of glass in showcase and furniture construction should have the adhesive cured with Tube Lamps such as our Cat. Nos. XX40 or UVBL15 to assure tension-free results. Keep in mind that bond tension caused by curing shorter lengths at a time result in bond damage or glass breakage. UVA Tube Lamps take approximately 30 seconds for pre-curing, and three to five minutes for a full cure.



Safe lamp use must take into account the considerable heat developed by our high intensity bulb lamps. Always be sure to keep lamps away from combustible materials. Place them on a non-flammable surface when putting lamps aside. Lamps should never be positioned with the filter screen face down as this will cause excessive heat build-up that could destroy the lamp.

CRL UV Lamps are equipped with filter screens to reduce potential damage to eyes and skin. However, we strongly recommend the use of our Nitrile Gloves Cat. No. 700512 to protect your skin, and the appropriate eye protection provided by our UV Spectacles, Goggles or Face Mask (see page 510J).

CRL Hand-Held Spot Bulb UV Curing Lamp



- Powerful 100 Watt Lamp Cures UV Adhesives in Seconds
- Lamp Head is Ergonomically Designed to Prevent Fatigue
- Impact Resistant Polymer Housing is Dent-Proof



The CRL Hand-Held Spot Bulb UV Curing Lamp provides up to a 40mW/cm² of UV-A energy to cure all of our UV Adhesives in just seconds. Perfect for fabricating with our UV Bonded Hardware components, its unique filter provides maximum curing energy while minimizing the hazardous radiation inevitably produced by all high-intensity UV-A lamps.

Cat. Nos. Z7596 and AUZ7596 combine state-of-the-art design innovations with traditional proven features like the detachable lamp head with 96" (2.44 m) cord for lightweight hand-held use. Keep the lamp head mounted on the transformer and rotate it 360 degrees in either the horizontal or vertical positions for bench use. Included with each lamp is one pair of Cat. No. UVG50 Goggles, one pair of Cat. No. UVS30 Spectacles, and a Cat. No. UVG100 Heat Guard Stand to minimize the risk of accidental burn injury. Replacement bulbs and filters are available. Minimum order is one each.



CAT. NO.	DESCRIPTION
Z7596	Hand-Held Spot Bulb UV Curing Lamp 110V AC 60Hz
AUZ7596	
Z100SM	
Z100S	Replacement Bulb for Lamps with Serial Numbers 1567104 and Higher
Z2F100C	Replacement Filter for Z7596/AUZ7596
UVG100	
	Heat Guard Stand for Z7596/AUZ7596

Minimum order: 1 each.

CRL High-Intensity Hand-Held UV Curing Lamp



- High-Intensity Light Cures Fast
- Lightweight, Under 3 Lbs. (1.3 kg)
- 13' (4 m) Electrical Cord
- Built-In Cooling Fan

CRL's High-Intensity Hand-Held UV Adhesive Curing Lamp provides the best uniform UV adhesive curing with a 96 square inch (8" x 12"), 620 square centimeter (20 x 30 cm) curing area at a distance of 8" (20 cm) by use of its highly efficient 250 watt halide UV bulb. The uniform intensity distribution is guaranteed by its optimized reflector surface.

Designed to cure all CRL UV Bonding Adhesives, the Cat. No. UV255 features spacer spots near the lamp's lens to prevent overheating when the lamp unit is laid down. An hour counter integrated into the ballast box provides for operational monitoring and control over lamp life.

The high-strength aluminum and polycarbonate lamp housing makes this lamp a very durable UL 2422 Approved curing device.



CAT. NO.	DESCRIPTION
UV255	High-Intensity Hand-Held UV Curing Lamp 110V
UV255230	
UV255B	High-Intensity Hand-Held UV Curing Lamp 230V
UVH255F	
	Replacement Bulb
	Replacement Filter

Minimum order: 1 each.

CRL Compact AC UV Curing Lamp



3" (76 mm)



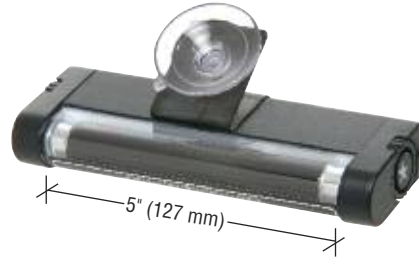
- Lightweight and Durable
- Excellent for Smaller Projects
- Built-In Suction Cups for Positioning

The CRL Compact AC UV Curing Lamp is a great tool to assist you in the introduction to UV glass bonding. Although small in size, initial pre-cure and full cure bonding is assured with its 3,500 micro watts/cm² light output. The built-in suction cups allow you to fix the lamp's position securely during the curing process.

CAT. NO.	DESCRIPTION
UV240	Compact Curing Lamp 110 Volts AC 60Hz
UV240230	Compact Curing Lamp 230 Volts AC 50Hz
UV240BULB	Replacement Bulb for UV240, UV240230 and UB80

Minimum order: 1 each.

CRL Battery Operated UV Curing Lamp



5" (127 mm)



- Cures All CRL UV Bonding Adhesives
- Built-In Suction Cup for Positioning

Our Battery Operated UV Curing Lamp may be small, but when allowed the appropriate initial pre-cure and final curing times, the resulting bonds will be high quality in strength and appearance. Power comes from the four "AA" batteries included with the Lamp, producing 1,000 micro watts/cm² of light output. This is the most affordable tool to use when starting out with UV bonding on a small scale.

CAT. NO.	DESCRIPTION
UB80	Battery Operated UV Adhesive Curing Lamp
UV240BULB	Replacement Bulb for UB80, UV240, and UV240230

Minimum order: 1 each.

CRL High-Intensity LED UV Curing Lamp Kit

- Small in Size, Big in Energy Savings
- 30,000 Hour LED Bulb Life
- Perfect for Affixing UV Bonding Hardware
- Cures All CRL UV Bonding Adhesives

CRL's High-Intensity LED UV Curing Lamp provides ultra-high intensity up to 18,000 micro watts/cm² of light output to cure UV adhesives incredibly fast. Push the 'on' button and the lamp immediately reaches full power and is ready for use, eliminating the down time waiting for bulbs to warm up. Cordless operation lets you move around your work unencumbered, and the powerful NiMH battery will operate the lamp continuously for 90 minutes before a recharge is needed.

The 2" (51 mm) lamp diameter and 8" (203 mm) length of the lamp's body is encased in durable anodized aluminum. The LED bulb is made with an electronic intensity stabilizer to ensure consistent performance, which also means that the beam strength will not fade while operating between charges. Kit comes complete with smart AC and DC Chargers, UV Absorbing Spectacles, Belt Holster, and padded Carrying Case. Optional 240V AC Chargers are available and sold separately.

CAT. NO.	DESCRIPTION
OPX365	High-Intensity LED UV Curing Lamp Kit
RB3FA	Optional Australian Use 240V AC Charger
RB3FB	Optional European Use 240V AC Charger

Minimum order: 1 each.



CAT. NO. OPX365



CAT. NO. RB3FA
Optional 240V Charger
with Australian Plug



CAT. NO. RB3FB
Optional 240V Charger
with European Plug



CRL Single Tube UV Curing Lamp

- Cures All CRL UV Bonding Adhesives
- Extra Long 30 Foot (9.1 m) Cord
- 17-1/2" (444 mm) Irradiation Length

The CRL Single Tube UV Curing Lamp is easily moved from position to position due to its lightweight and long 30' (9.1 m) electrical cord. The 365 nm output is ideal for curing all CRL UV Bonding Adhesives for glass-to-glass and glass-to-metal applications. The 17-1/2" (444 mm) irradiation length will cure seams up to that length. You can add more lamps end-to-end for longer lengths.

The on/off switch is conveniently located at the hand held end of the lamp. The fluorescent bulb is protected by a heavy-duty acrylic tube, and has a light shield around the back side. A hanging hook is built in for temporary mounting positions.



CAT. NO. UVBL15

CAT. NO.	DESCRIPTION
UVBL15	Single Tube 15 Watt UV Curing Lamp 110 Volts 60Hz
UVBL15BULB	Replacement Bulb for 15 Watt Single Tube UV Curing Lamp

Minimum order: 1 each.

CRL Long Double Tube UV Curing Lamp

- 48" (1219 mm) Tubes for Long Seam UV Bonding
- Most Powerful Lamp of Its Type
- Mountable Fixture Housing

The CRL Long Double Tube UV Curing Lamp is perfect for use where high-intensity, wide-area UV coverage is needed. Specially filtered 40 watt bulbs make it the most powerful lamp of its type available. Suited to cure all CRL UV Bonding Adhesives, it features an enameled sheet metal housing that can be side mounted, hung overhead, or used as a portable lamp to accommodate many different requirements.

A corrosion-resistant, specular aluminum reflector ensures maximum UV irradiance. On/off switch is conveniently located on the lamp's housing. Lamps are U.L. listed.



CAT. NO. XX40
Double Tube Lamp

CAT. NO.	DESCRIPTION
XX40	Double Tube UV Curing Lamp 110 Volts AC 60Hz
XX40230FA	Australian Use Double Tube UV Curing Lamp 230 Volts AC 50Hz
XX40230F	European Use Double Tube UV Curing Lamp 230 Volts AC 50Hz
XX40BULB	Replacement Bulb for Double Tube UV Curing Lamp

Minimum order: 1 each.



CAT. NO. XX40BULB
Replacement Bulb

CRL Double Tube UV Curing Lamp

- Cures All CRL UV Bonding Adhesives
- 17-1/2" (444 mm) Irradiation Length
- Fully Enclosed, Filtered Housing



Available Only in Europe



The CRL Double Tube UV Curing Lamp delivers 25 watts of curing power via two 18" (457 mm) fluorescent UV bulbs providing 17-1/2" (444 mm) of irradiation. This 230 volt lamp is fully enclosed and filtered to control and focus UVA radiation on the bonding joint. The 365 nm output is tuned to quickly cure all CRL UV Adhesives. Includes convenience of body mounted on/off switch and handle.

This powerful and durable tool with its 230 volt, 50 cycle wiring is CE approved for the European Market. **NOTE:** For sale in Europe only.



CAT. NO. UVBL25EU

CAT. NO.	DESCRIPTION
UVBL25EU	Double Tube 25 Watt UV Curing Lamp 230 Volts 50Hz
UVBL25BULB	Replacement Bulb for 25 Watt Twin Tube Curing Lamp

Minimum order: 1 each.

CRL UV-Absorbing Spectacles

- Protects Against UV Exposure
- Fits Easily Over Regular Eyeglasses



Ultraviolet light is an invisible band of electromagnetic radiation just beyond the violet end of the visible spectrum. Although UV exposure is a natural part of our environment, prolonged and unprotected exposure to UV light can result in eye damage.

These CRL UV-Absorbing Spectacles are specially designed to protect the user against limited exposure to low intensity UV sources. Attractive and durable, these well proportioned frames fit easily over conventional eyeglasses. Minimum order is one each.

CAT. NO. UVS30

CRL UV-Absorbing Goggles

- Protects Eyes From UV Sources
- Meets ANSI and OSHA Standards
- Fits Easily Over Regular Eyeglasses



Ultraviolet light is an invisible band of electromagnetic radiation just beyond the violet end of the visible spectrum. Although UV exposure is a natural part of our environment, prolonged and unprotected exposure to UV light can result in eye damage.

These CRL UV-Absorbing Goggles are recommended for extended or high intensity exposure to UV sources. They meet ANSI specification Z87.1 for safety eye wear, and OSHA standard 1910.133 for eye and face protection. These comfortable goggles easily fit over conventional eyeglasses. Minimum order is one each.

CAT. NO. UVG50

CRL UV-Absorbing Face Shield

- Adjustable to Fit All Sizes
- Can Be Pivoted Off the Face



Ultraviolet light is an invisible band of electromagnetic radiation just beyond the violet end of the visible spectrum. Although UV exposure is a natural part of our environment, prolonged and unprotected exposure to UV light can result in eye damage.

The CRL UV-Absorbing Face Shield provides the recommended maximum protection for both eye and face from extended or high intensity UV sources. This Face Shield is adjustable to fit all sizes and has a visor that can be pivoted off the face. The shield meets ANSI specification Z87.1 for safety eye wear, and OSHA standard 1910.133 for eye and face protection. Minimum order is one each.

CAT. NO. UVF80

CRL UV Transmission and Power Meter

- Checks Strength of UV Curing Lamps
- Displays UV Transmission % or Power Readings
- Measures Temperature in F° or C°



The CRL UV Transmission and Power Meter is the most versatile product available for measuring UV. It measures UV intensities (irradiance), or UV Transmission percentage. Perfect for checking the output of your UV curing lamps (must check new lamp or replacement bulb to set benchmark), you can even confirm the protection level of your UV spectacles, goggles and facemasks. An added feature allows you to also measure temperatures in Fahrenheit and Celsius.

Unlike other UV products on the market, this Meter is extremely simple to operate. The digital display is continually updated with real-time readings. Powered by a 9V battery (included). Minimum order is one each.

CAT. NO. UV1365

CRL Corner Protectors

- Protect Corners of Glass and Mirror
- Six Different Sizes for 1/8", 1/4", 5/16", 3/8", 1/2", and 3/4" (3, 6, 8, 10, 12, and 19 mm) Thicknesses



These CRL Corner Protectors are designed to protect glass and mirror edges during shipping, handling or storing. Black plastic Corner Protectors will not scratch or damage glass or mirror surfaces, and they help protect large cut-offs from breakage or becoming scrap. Protectors are re-usable, they simply slide on and off the corners of glass and mirror. Ensure your customers are getting a quality piece of glass; protect the corners with CRL Corner Protectors. Available in economical bulk packs or handy boxes of 100 each.



CAT. NO.	GLASS THICKNESS
1563004	1/8" (D.S.) - 3/16" (5 mm)
1563006	1/4" (6 mm)
1563008	5/16" (8 mm)
1563010	3/8" (10 mm)
1563012	1/2" (12 mm)
1563020	3/4" (19 mm)

Minimum order: 100 each. Must be ordered in increments of 100. Sizes can be combined for quantity pricing.

CRL Armored Corner Protectors

- Economical, Reusable Corners Absorb Impact When Glass or Mirror is Bumped or Dropped
- A Small Investment Can Save Expensive Glass and Help Prevent Costly Accidents

new



CAT. NO. ACP14 1/4" (6 mm) CAT. NO. ACP38 3/8" (10 mm) CAT. NO. ACP12 1/2" (12 mm) CAT. NO. ACP58 5/8" (15 mm)

Glass fabricators, shower door installers, glazing contractors, and anyone handling glass panels can worry less about glass breakage using our new Armored Corner Protectors. These uniquely designed corners can absorb impacts during transport. The Corner's heel offers the maximum impact protection while the interior surfaces channel away impact energy from the surface of the glass. Cut-outs formed on the Corner's edge allow belt fastening.

CRL Armored Corners can be used for all types of flat and beveled glass. Packed in bags of 12 or bulk boxes of 100 each, they are color-coded by size for easy selection. See our online video at crlaurence.com for a demonstration of how effective these corners are against the worst type of dropped glass impacts.



CAT. NO.	GLASS THICKNESS
ACP14	1/4" (6 mm)
ACP38	3/8" (10 mm)
ACP12	1/2" (12 mm)
ACP58	5/8" (15 mm)

Minimum order: 12 each. All Armored Corner Protectors can be combined for quantity

CRL Sponge Rubber Shipping Pads

- Economical and Easy to Use
- Leave No Residue When Removed
- For Storing and Transporting Glass
- Now in 1/8" (3.2 mm) and 1/4" (6.3 mm) Thickness

Developed for the tempering industry for use on hot glass during processing, and made of heavy-duty composition rubber, these CRL Shipping Pads have a special adhesive that leaves no residue when removed from the glass. They are excellent to use when transporting or storing glass to prevent surface scratches and breakage. Application is simple - just peel from the release paper roll and stick them to the glass. No special equipment, tools or solvents are needed to remove them. Pre-cut pads are available in two ways: on rolls of 1,000; in bulk quantities of 5,000 each of the 3/4" (19 mm) size, and 10,000 each of the 1/2" (12.7 mm) size.



CAT. NO.	PAD SIZE	THICKNESS	PADS/ROLL
SP1412	1/2" (12.7 mm) Square	1/4" (6.3 mm)	1,000
SP1412B	1/2" (12.7 mm) Square	1/4" (6.3 mm)	10,000
SP1834	3/4" (19 mm) Square	1/8" (3.2 mm)	1,000
SP1834B	3/4" (19 mm) Square	1/8" (3.2 mm)	25,000
SP1434	3/4" (19 mm) Square	1/4" (6.3 mm)	1,000
SP1434B	3/4" (19 mm) Square	1/4" (6.3 mm)	5,000

Minimum order: 1 roll. Sizes can be combined for quantity pricing.



CRL Super-Duty Shipping Pads

- Used by Aluminum Window and Door Fabricators
- Handles Heavy Loads and Shock
- Easy-to-See Light Yellow Color

These CRL Super-Duty Shipping Pads are used by aluminum window and door fabricators to support and separate finished units during transport and storage. The highly condensed white troc ellen foam compresses slightly under load, and has great capacity to handle shock and heavy loads. The adhesive coating sticks tight in all climates, yet leaves no residue or discoloration on metal surfaces when removed, even after months of storage. CRL Super-Duty Shipping Pads are die-cut on sheets of release paper, and peel off easily for application, even in high-production situations. Standard thicknesses are 1/4" and 1/2" (6.3 and 12.7 mm), and all sizes are packed in boxes that will ship U.P.S.

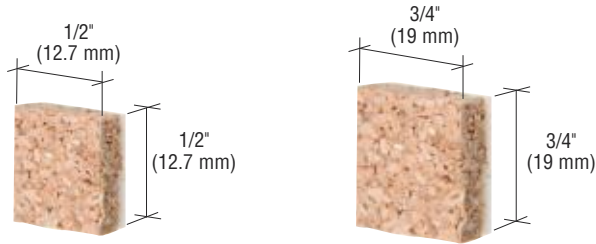


CAT. NO.	PAD SIZE	THICKNESS	PADS/ROLL
NSP1411	1" x 1" (25.4 x 25.4 mm)	1/4" (6.3 mm)	12,096
NSP141515	1-1/2" x 1-1/2" (38.1 x 38.1 mm)	1/4" (6.3 mm)	5,376
NSP14152	1-1/2" x 2" (38.1 x 50.8 mm)	1/4" (6.3 mm)	4,032
NSP1422	2" x 2" (50.8 x 50.8 mm)	1/4" (6.3 mm)	3,024
NSP1211	1" x 1" (25.4 x 25.4 mm)	1/2" (12.7 mm)	6,048
NSP121515	1-1/2" x 1-1/2" (38.1 x 38.1 mm)	1/2" (12.7 mm)	2,668

Minimum order: 1 box. Sizes can be combined for quantity pricing.

CRL Cork No-Adhesive Shipping Pads

- Extra Firm for Minimal Compression Under Heavy Loads
- Peel Off Without Leaving Residue



These CRL Cork No-Adhesive Shipping Pads are laminated with cork instead of sponge, therefore they are firmer and will not compress like sponge. This makes them excellent for use with heavy or large stacks of glass. Adhesive cleanup is eliminated since CRL Cork No-Adhesive Shipping Pads peel off without leaving any residue. They are even reusable if kept clean! Available in two ways: on rolls of 1,000 pre-cut pads, or on bulk rolls for volume users.

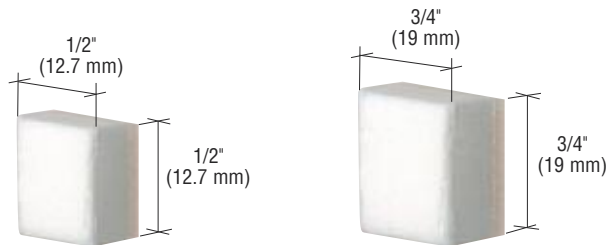
CAT. NO.	PAD SIZE	THICKNESS	PADS/ROLL
CNA12	1/2" (12.7 mm) Square	1/4" (6.3 mm)	1,000
CNA12B	1/2" (12.7 mm) Square	1/4" (6.3 mm)	10,000
CNA34	3/4" (19 mm) Square	1/4" (6.3 mm)	1,000
CNA34B	3/4" (19 mm) Square	1/4" (6.3 mm)	5,000

Minimum order: 1 roll. Sizes can be combined for quantity pricing.



CRL Foam No-Adhesive Shipping Pads

- Adhesion by Static Electricity
- No Adhesive to Clean Up



CRL Foam No-Adhesive Shipping Pads attach themselves to glass by static electricity. This eliminates many problems caused by the adhesives on normal shipping pads, such as adhesive residue cleanup, adhesive staining, and the limited shelf life of some adhesives. They are even reusable if kept clean! Foam Pads come 1,000 per roll. Economical bulk rolls for volume users contain either 5,000 pads in the 3/4" (19 mm) square size, or 10,000 pads in the 1/2" (12.7 mm) size on release paper rolls.

CAT. NO.	PAD SIZE	THICKNESS	PADS/ROLL
NAP12	1/2" (12.7 mm) Square	1/4" (6.3 mm)	1,000
NAP12B	1/2" (12.7 mm) Square	1/4" (6.3 mm)	10,000
NAP34	3/4" (19 mm) Square	1/4" (6.3 mm)	1,000
NAP34B	3/4" (19 mm) Square	1/4" (6.3 mm)	5,000

Minimum order: 1 roll. Sizes can be combined for quantity pricing.

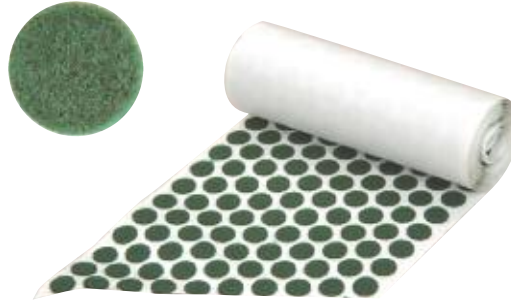


CRL Felt Glass Protectors

- Easy to Apply
- Helps Prevent Breakage
- Protects Glass From Scratches

Used to separate glass during shipping or storage, these high density CRL Felt Glass Protectors have an adhesive backing that holds them to the glass. This prevents scratches or breakage that sometimes occurs when two glass surfaces come in contact with each other. They are easy to apply and remove.

CRL Felt Glass Protectors can also be used on the base of objects such as vases, statuettes or ashtrays to keep them from scratching glass table tops. Green in color, they come on rolls of release paper for easy application. They are also available in other colors such as, black, white, brown, gray, blue, red, or yellow in quantities of 100,000 or more.

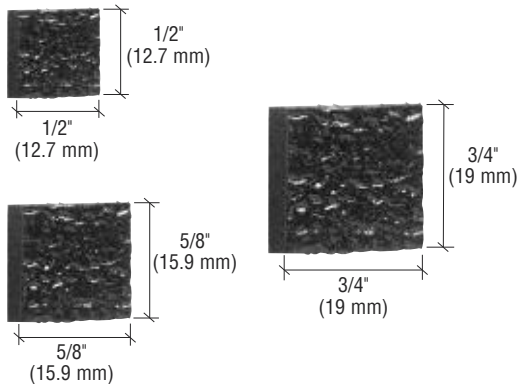
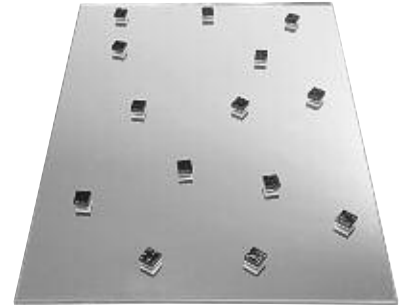


CAT. NO.	DIAMETER	THICKNESS	PADS/ROLL
FGP126	1/2" (12.7 mm)	1/16" (1.6 mm)	1,000
FGP128	1/2" (12.7 mm)	1/8" (3.2 mm)	1,000
FGP346	3/4" (19 mm)	1/16" (1.6 mm)	1,000
FGP348	3/4" (19 mm)	1/8" (3.2 mm)	1,000

Minimum order: 1 roll. Sizes can be combined for quantity pricing.

CRL Pebbled No-Adhesive Shipping Pads

- Heavy Density 25 Pound Pebbled PVC on a Cling Foam Backing
- No Sticky Residue Left After Removal Means No Clean Up



CRL Pebbled No-Adhesive Shipping Pads are a heavy density, 25 pound pebbled PVC laminated to a special cling foam. Since there's no adhesive, there's no residue, making clean up unnecessary. They are non-marking on glass, and can be reused in extremely clean conditions.

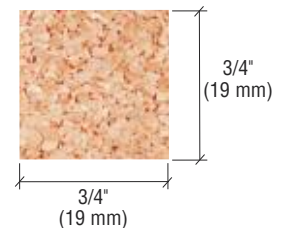
CAT. NO.	PAD SIZE	THICKNESS	PADS/ROLL
PNA12B	1/2" (12.7 mm) Square	1/4" (6.3 mm)	10,000
PNA58B	5/8" (15.9 mm) Square	1/4" (6.3 mm)	5,000
PNA34B	3/4" (19 mm) Square	1/4" (6.3 mm)	5,000

Minimum order: 1 roll. Sizes can be combined for quantity pricing.

CRL Cork Tabs on a Roll

- Cork Pads With a Low Tack Adhesive
- Ideal for Mirror or Tempering Lines

These CRL Cork Tabs on a Roll are great for fabricators, distributors, glass shops or for any of your production needs. With thorough testing and industry feedback, we have found that these low-tack adhesive pads are a popular and reliable size. There are 3,000 pads per roll. Other sizes and types are available on special order.



CAT. NO.	PAD SIZE	THICKNESS	PADS/ROLL
CSP34X132	3/4" (19 mm) Square	1/32" (0.8 mm)	3,000

Minimum order: 1 roll.

CRL Felt Glass Protectors

- Easy to Use and Remove
- Available in Brown and Green



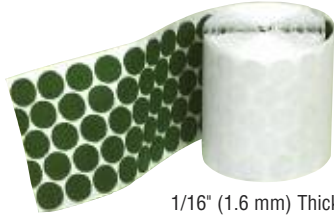
3/4" (19 mm) Diameter



1/16" (1.6 mm) Thick



3/4" (19 mm) Diameter



1/16" (1.6 mm) Thick

CRL Felt Glass Protectors have an adhesive on one side that adheres to any clean, dry surface. Buttons are 3/4" diameter x 1/16" (19 x 1.6 mm) thick, and available in green or brown color felt. Sold 1,000 buttons per roll on release paper.

CAT. NO.	COLOR	SIZE	QTY/ROLL
FA5BRW	Brown	3/4" (19 mm) Diameter	1,000
FA5GRN	Green	3/4" (19 mm) Diameter	1,000

Minimum order: 1 roll. All Glass Protectors can be combined for quantity pricing.

CRL Cork Glass Protectors

- Easy to Use and Remove
- Made of 100% Cork



3/4" (19 mm) Diameter



1/16" (1.6 mm) Thick

CRL Cork Glass Protectors have adhesive on one side and are 3/4" diameter x 1/16" (19 x 1.6 mm) thick. They keep the glass from slipping or scratching the surface, and help protect the surface of the desk or table top. Sold 1,000 buttons per roll on release paper.

CAT. NO.	COLOR	SIZE	QTY/ROLL
CB2	Tan	3/4" (19 mm) Diameter	1,000

Minimum order: 1 roll. All Glass Protectors can be combined for quantity pricing.

CRL Cork and Neoprene Composition Glass Protectors

- Easy to Use and Remove
- Slightly Softer Than Cork
- Excellent as a Glass Separator



3/4" (19 mm) Diameter



1/16" (1.6 mm) Thick

CRL Cork and Neoprene Composition Glass Protectors have adhesive on one side and are 3/4" diameter x 1/16" (19 x 1.6 mm) thick. They cushion glass on furniture tops, and are slightly more resilient than all-cork buttons. Sold 1,000 buttons per roll on release paper.

CAT. NO.	COLOR	SIZE	QTY/ROLL
CN1B	Tan/Black	3/4" (19 mm) Diameter	1,000

Minimum order: 1 roll. All Glass Protectors can be combined for quantity pricing.

CRL Sponge Rubber Glass Protectors

- Easy to Use and Remove
- Cushion Glass in Stacks
- Protects Against Scratches and Abrasions



3/4" (19 mm) Diameter



1/8" (3.2 mm) Thick

CRL Sponge Rubber Glass Protectors have adhesive on one side of the black color sponge. They measure 3/4" diameter x 1/8" (19 x 3.2 mm) thick. Sold 1,000 buttons per roll on release paper.

CAT. NO.	COLOR	SIZE	QTY/ROLL
SR3	Black	3/4" (19 mm) Diameter	1,000

Minimum order: 1 roll. All Glass Protectors can be combined for quantity pricing.

CRL and Sprayway, an Alliance of Two Industry Leaders Bringing You the Best in Glass Cleaners

- CRL is Sprayway's Master Distributor to the Glass Industry
- CRL's Glass Cleaners are Manufactured Exclusively for Distribution Through the Glass Industry
- All Glass Cleaners Come in Cases of Twelve Big 19 Ounce (539 g) Cans



All Are Also Available With Your Logo or Private Label (See Below)



Four Powerful Glass Cleaners to Fit Every Need



CAT. NO. S50

- Ammonia-Free
- Spray and Wipe Clean
- Fast Evaporation

CRL S50 is Sprayway's leading glass cleaner, and has the CRL logo on the same 19 ounce can that you are familiar with. It has a fast evaporation rate, which keeps it from leaving a film and adversely interacting with other materials. Minimum order is one case.



CAT. NO. 1973

- A Long Time Favorite of the Glass Industry
- Low-Ammoniated
- Pleasant Aroma

CRL 1973 Glass Cleaner, a long time favorite of CRL customers, is a low-ammoniated glass cleaner packaged in a new, easier-to-handle 19 ounce can. The same effective cleaning agents and pleasant aroma remain, with the added feature of Sprayway's logo. Minimum order is one case.



CAT. NO. 3371100

- Industrial Strength Cleaner
- Won't Leave Streaks, Blurs or Rainbows

CRL Hi-SHEEN® Glass Cleaner has been faithfully cleaning commercial and residential glass since 1970. It's dependable, no-nonsense aerosol formula is the reason, year after year, Hi-SHEEN® is always a popular product! Minimum order is one case.



CAT. NO. CRL18X

- Our Best All Purpose Glass Cleaner for Around the House
- Extra Strong Ammonia-Free Formula for Really Tough Cleaning Jobs

Use extra strong, ammonia-free CRL18X Cleaner on glass, mirror, porcelain, enamel surfaces, ceramic tile, aluminum, brass, and chrome. Excellent for really tough cleaning problems around the house or on the job site. Large 19 ounce cans include the CRL and Sprayway names known throughout the industry for quality cleaning performance. Minimum order is one case.

CRL Logo Label and Private Label Aerosols

- You Can Now Get Any of the CRL-Sprayway Glass Cleaners and Other Quality Aerosol Products With Your Company's Name and Logo Right on the Can



CRL Logo Label Program

- 40 Case Minimum Order (12 Cans Per Case)
- Choose from Many of Our Most Popular Formulations, Including S50, 1973, and Hi-SHEEN® Glass Cleaners
- Freight Paid to Any Location in the Continental U.S.



The CRL Logo Label Program uses our label templates with designated areas for your company's name or logo, address, and product name. Packaged in one to two color UV coated labeled cans and shipped in white custom stenciled boxes. We can manufacture and ship your first order in approximately four weeks from the date your input is received at the packaging plant. Call CRL Customer Service at (800) 421-6144 for details and pricing for this unique service.

Sprayway is a registered trademark of Claire-Sprayway, Inc.

CRL Private Label Program

- 60 Case Minimum Order (12 Cans Per Case)
- Choose from Many of Our Fine Formulations, Including S50, 1973, and Hi-SHEEN® Glass Cleaners
- Freight Paid to Any Location in the Continental U.S.



CRL's Private Label Program lets you choose from one to four color UV coated labeled cans that ship in white custom stenciled boxes. Design your labels within our guidelines for that custom look. Your aerosols will ship to you in oyster white custom stenciled boxes. First orders take approximately six weeks, and re-orders can ship within 10 to 15 business days.

CRL Quick Release Agent

- Loosens or Dissolves Most Adhesives

CRL Quick Release Agent is a solvent blend designed to loosen or dissolve most adhesives. It softens or undercuts butyl, oil-based, and polyurethane sealants.



CAT. NO.	NET WEIGHT	QTY/CASE
CRL958	14 Oz. (397 g)	12

Minimum order: 1 each.



CRL General Purpose Solvent and Adhesive Cleaner

- Removes Uncured Paint, Adhesive, Grease, and Oil

CRL General Purpose Solvent and Adhesive Cleaner handles some of the toughest cleaning jobs your shop can encounter. Use CRL2032 to soften and remove uncured urethane, adhesive, tar, grease, oil, and remove paint.



CAT. NO.	CONTENTS	QTY/CASE
CRL2032	32 Fl. Oz. (946 ml)	12

Minimum order: 1 each.



CRL Silicone Remover and Surface Prep

- Ideal for Removing Uncured Silicone and Many Cured Silicones
- Prepares Surfaces to Be Sealed, Painted or Bonded

CRL Silicone Remover and Surface Prep is a long needed answer to uncured silicone clean up. Spray on and it instantly dissolves silicone film. It's also a degreaser that removes uncured silicone residue and oils. It will also soften and remove many cured silicones.



CAT. NO.	CONTENTS	QTY/CASE
SR200	16 Fl. Oz. (473 ml)	12

Minimum order: 1 each.



CRL Single Edge Razor Blades

- Our Most Popular Single Edge Blade
- Precision Honed, Surgical Steel Edges
- Individually Wrapped to Protect the Edge



These CRL Single Edge Razor Blades are top quality, industrial grade, surgical steel precision-honed for extra sharpness. They deliver durability along with the exacting quality cut that professionals demand. Packed 100 Blades per box, there are 50 boxes per case. Each Blade is individually wrapped to protect the edge until you are ready to use it. Minimum order is 100 each.

CAT. NO. 51S

CRL Plastic Razor Blades

- Your Choice of Single or Double Edge Blades
- Won't Harm Surfaces That Could be Damaged by Metal Razor Blades

These CRL Plastic Razor Blades won't harm plastic coated windows or other hard surfaces that can be scratched or marred by metal razor blades. They are also useful for working on painted surfaces or chrome, and for removing decals, pin striping, or window tint film. New Double Edge Blade has very thin, yet stiff edges for delicate scraping jobs. Choose from single edge or double edge versions to fit your razor blade scraper. Both are sold 100 per package. Minimum order is one pack. Try them with our CRL761 Heavy-Duty Razor Scraper, which has an 11" (280 mm) handle with a comfortable grip.



CAT. NO. CP866088
Single Edge Blades



CAT. NO. CRL3000
Double Edge Blades



CAT. NO. CRL761
Heavy-Duty Razor Scraper

CRL Mirror and Glass Cleaner



- Non-Streaking, Environmentally Safe Formula
- Contains No Ammonia or Vinegar



5 Gallons (18.9 l)



CRL Mirror and Glass Cleaner is an all-purpose cleaner that contains no ammonia or vinegar to harm mirror backing. Non-streaking, environmentally safe formula. Sold in a five gallon boxed container with an easy-pour spout included. Minimum order is one each.

CAT. NO. 3377000

CRL Concentrate Glass Cleaner

- One Gallon Concentrate Makes 10 Gallons of Strong Cleaning Fluid
- Leaves No Film, Wipes Clean With No Rinsing
- Ammoniated for Strength



The most popular Glass Cleaner for in-shop and on-the-job use. It's easy to use and leaves no film or smears on glass. 695 will not harm paint. It's easy to mix - one gallon makes ten gallons of strong, safe cleaning fluid. Use it with less water for those extra tough cleaning jobs. 695 is also available in 55 gallon (208 liter) drums for industrial users.

CAT. NO.	CONTENTS	QTY/CASE
695	1 Gallon (3.785 l) Bottle	4
69555GL	55 Gallon (208 l) Drum	1

Minimum order: 1 each.

CRL Plastic Spray Dispenser Bottles

- Ideal for Use With Our Concentrate or Ready-Mix Glass Cleaners
- Available in Two Sizes



Easy trigger operation sprays a large, fine mist pattern for best coverage of glass area. Valve and intake strainer are easily cleaned. These dispensers replace and outlast expensive, high pressure aerosol containers.

CAT. NO.	SIZE
DB21	16 Fl. Oz. (473 ml)
3371032	32 Fl. Oz. (946 ml)

Minimum order: 1 each.

CRL Ready-Mix Glass Cleaner

- Ready-Mixed Bulk Liquid
- Available in Private Label for Your Resale



Our professional strength Bulk Glass Cleaner is also available in these ready-mixed gallons for bulk filling of your spray dispensers. It's precisely formulated to give great glass cleaning results without the effort of mixing it yourself. Also available for resale in containers with your private label.

CAT. NO.	CONTENTS	QTY/CASE
895GL	1 Gallon (3.785 l) Bottle	4

Minimum order: 1 case.

CRL Bio-Clean Water Stain Remover

- Effectively Removes Water and Mineral Stains, Rust, Tree Sap, Paint Overspray, Soap Scum, and Mildew From Glass and Other Surfaces
- Works Great On: Shower Doors, Windows, Glass Surfaces, Tile, Fiberglass, Windshields, Chrome, Porcelain, Corian®, Anodized Brass and Aluminum, Stainless Steel, and Hard Vinyl

CRL Bio-Clean is a professional strength cleaner recommended by both glazing contractors and professional window cleaning companies. It is successfully used in hospitals, nursing homes, manufacturing plants, hotels, supermarkets, and other public facilities with difficult to clean surfaces. **NOTE:** Do not use on surfaces that can be harmed by the use of a mild abrasive.

Apply CRL Bio-Clean directly onto surface or on a cloth, sponge, brush or electric buffer. Press firmly to loosen stain with a rubbing action, and then just rinse with water until residue free. Dry with cloth or paper towel. It can be reapplied as needed until surface is sparkling clean. On severely stained shower doors use a non-scratch pad. On tile and porcelain use a Cat. No. SB7447F Scotch Brite Pad.



CAT. NO. WSR1
16 Fl. Oz. (473 ml)

CAT. NO.	CONTENTS	QTY/CASE
WSR1	16 Fl. Oz. (473 ml)	12
WSR1P	5 Pouches	1

Minimum order: 1 each of WSR1 and 1 pack of WSR1P.



• Removes Stage One Corrosion Quickly

Stage One Corrosion is defined as glass with light corrosion, and little or no damage to the glass. Stage Two Corrosion occurs when the deposits are no longer on the surface of the glass, but have started to break down the molecular structure of the glass, leaving an etched or white haze on the glass after the stain has been removed. CRL Bio-Clean Water Stain Remover will not repair glass with Stage Two Corrosion.

CRL Bio-Clean Water Stain Remover Pouches

• Five Sample Pouches Per Pack

CRL Bio-Clean Water Stain Remover Pouches keep your customers coming back. Leave one or two pouches with your customer after each beautiful frameless shower door installation. Once they see how well CRL Bio-Clean removes soap scum and water stains, they will be ordering 16 fluid ounce (473 ml) bottles from you. Works well in combination with CRL TPC16 Surface Protector (see page 520J).



CAT. NO. WSR1P

CRL A-Maz Water Stain Remover

- Removes the Toughest Stains
- Contains No Acids, Bleach, or Chlorides
- Includes Nylon Scrub Pad

CRL A-Maz Water Stain Remover removes the toughest stains on glass, chrome, porcelain, fiberglass, metal, tile - water stains, mineral deposits, and sealant stains. It can also be used on all types of bathroom surfaces to remove lime scale, oxidation, and soap scum. A nylon pad is provided with product. Pad measures approximately 6" x 3-1/2" x 1" (152 x 89 x 25 mm) Net Weight: 14 oz. (396 grams). Minimum order is one each. **NOTE:** Do not use on surfaces that can be harmed by the use of a mild abrasive.

Corian is a registered trademark of E.I. du Pont de Nemours and Company.



CAT. NO. 3379520
14 Fl. Oz. (396 g)



CRL TPC Surface Protector



- Transparent Polymer Coating
- Water, Soil, and Stain Repellant
- Protects Glass and Many Other Surfaces

CRL TPC Surface Protector will actually seal the pores of glass, porcelain, ceramic, plastics, polished metals, fiberglass, and marble to make the surface water, soil, and stain resistant. The clear coating guards against the adhesion and build-up of dirt, grime, mold, mildew, rust, and mineral deposits. Environmentally friendly and non-toxic, CRL TPC Surface Protector permits the practice of preventive cleaning and maintenance, reducing costly cleaning, repairs, and replacement. One fluid ounce protects approximately 15 square feet (1.4 meters square) of glass. Also available in 55 gallon (208 l) drums on special order.

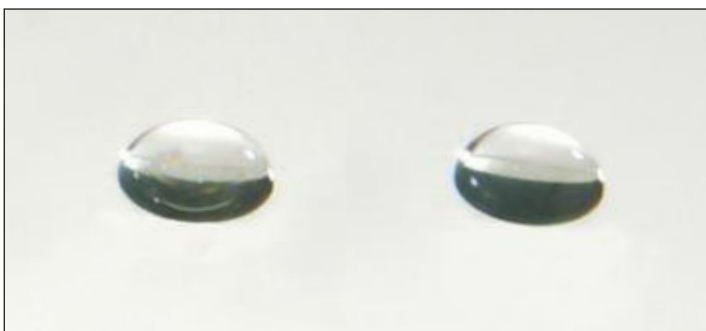


CAT. NO. TPC16



UNTREATED GLASS

Water does not "bead" on glass. Dirt sticks to water that dries on the glass and leaves stains.



TREATED GLASS

Water "beads" up on sealed, polished glass and easily runs off, taking any dirt with it.

CRL TPC Surface Protector Towelettes

new

- Sample Pouches
- Five Towelettes Per Pack

CRL TPC Surface Protector Towelettes keep your customers coming back. Leave one or two with your customer after each beautiful frameless shower door installation. Once they see how well CRL TPC Surface Protector keeps their new glass clean, they will be ordering 16 fl. oz. (473 ml) bottles from you. Works well in combination with CRL Bio-Clean Water Stain Remover (see page 519J).



CAT. NO. TPC16P



Visit our web site, crlaurence.com, for Application Tips and Most Common Uses. Also Protects Sand-Blasted Glass

CAT. NO.	CONTENTS	QTY/CASE
TPC16	16 Fl. Oz. (473 ml)	12
TPC5GL	5 Gallons (18.9 l)	1
TPC16P	5 Towelettes	1

Minimum order: 1 each.

CRL "Sparkle" Cleaner and Stain Remover

- Cleans Light Water Stains From Glass
- Removes Soap Scum From Shower Doors
- A Longtime Favorite

CRL "Sparkle" Cleaner does those glass cleaning jobs too tough for spray-on cleaners. It removes light water spots and stains in glass caused by weather, sea air, or pollution; also removes soap scum from shower doors and ceramic tile. Wipe on with a damp cloth or paper towel, rub stained areas, then wipe off.

CAT. NO.	CONTENTS	QTY/CASE
SP101	8 Fl. Oz. (236 ml)	12

Minimum order: 1 each.



8 Fl. Oz. (236 ml)



CRL Mirror Cleaner and Polish

- Makes Mirrors and Glass Sparkle
- Strong Foaming Action
- Ammonia-Free Formula Won't Harm Mirrors



CRL Mirror Cleaner and Polish is formulated especially for cleaning mirrors. It has a strong working foaming action that leaves mirrors sparkling clean, with no streaking or smearing. It's also good for cleaning chrome, tile, porcelain, Formica, appliance surfaces, and stainless steel. Terrific for around the house or anywhere there are lots of mirrors to be cleaned.

CAT. NO.	NET WEIGHT	QTY/CASE
1982	15 Oz. (425 g)	12

Minimum order: 1 case.

Sprayway is a registered trademark of Claire-Sprayway, Inc.

CRL Stainless Steel Polish and Cleaner

- Cleans, Polishes, and Protects
- Resists Fingerprints, Grease, and Water Spatter
- Preserves the Factory Finish of Stainless Steel



CRL Stainless Steel Polish and Cleaner cleans, polishes, and protects stainless steel without hard rubbing and polishing. Resists fingerprints, grease, and water spatter. Helps preserve the factory finish. Stainless Steel Polish and Cleaner can be used on all types of stainless steel window frames, trims, doors, corridor guards, kick plates, dishwashers, refrigerators, freezers, sterilizers, etc. Also excellent for Formica, porcelain, ceramic tile, and chrome.

CAT. NO.	NET WEIGHT	QTY/CASE
CRL841	15 Oz. (425 g)	12

Minimum order: 1 each.

CRL Sprayway Crazy Clean All Purpose Cleaner

- All Purpose Cleaner that Cleans and Deodorizes
- Great on Smooth Finishes



Great for all washable and painted surfaces, window sills, venetian blinds, and all porcelain and tile surfaces. Excellent for removing dirty hand prints from walls and doors, scuff marks on floors, crayon and grease spots, soot and smoke film. Also suitable for bathtubs, washbowls, toilet bowls, kitchen sinks, cabinets, stoves, and refrigerators. For best results, spray a small area until wet, let stand for several seconds, wipe off with a clean dry cloth, then rinse if desired. When using on plastic seat covers or plastic tile, rinse with a clean damp cloth.

CAT. NO.	NET WEIGHT	QTY/CASE
SW31	19 Oz. (539 g)	12

Minimum order: 1 case.

CRL Aerosol Plastic Cleaner

- **Anti-Static, Anti-Fog, Non-Streaking Formula**
- **Fast Drying and Economical to Use**



CRL Aerosol Plastic Cleaner is an anti-static, anti-fog, non-streaking formula that is fast drying and economical to use. Apply it to a variety of plastic materials: acrylic, Plexiglas, polycarbonates, and safety glazing panels. CRL848 wipes away without streaking, and leaves a sparkling clean surface. This large 19 ounce aerosol will clean a lot of plastic.

CAT. NO.	NET WEIGHT	QTY/CASE
CRL848	19 Oz. (539 g)	12

Minimum order: 1 each.



CRL Plastic Cleaner and Polish

- **Contains No Abrasives**
- **Non-Static/Non-Glare**
- **Great for Removing Tiny Scratches**



Developed especially for the glass industry, CRL Plastic Cleaner and Polish cleans and polishes virtually everything made of plastic. It's great for removing tiny scratches from acrylic windows in boats, campers, RV's, airplanes, or any other vehicle. It can polish the plastic on boat surfaces, seat covers, shower doors, Formica tops, etc. Handy and attractive squeeze bottles make it easy to carry, easy to apply, and a fast mover in over-the-counter sales.

CAT. NO.	CONTENTS	QTY/CASE
CRL10	8 Fl. Oz. (236 ml)	12

Minimum order: 1 each.

- **Two Easy to Use Formulas With Excellent Cleaning Results**
- **Can Be Used on Virtually All Plastics**

CRL Novus® Plastic Polishes

- **No. 2 for Fine Scratches**
- **No. 3 for Heavy Scratches**



CRL offers two Novus® Plastic Polishes in convenient eight fluid ounce bottles. CRL Novus No. 2 removes fine scratches, haziness, and abrasion from most plastic surfaces. It is not just a surface cover up, but will restore and protect. CRL Novus® No. 3 removes heavy scratches and abrasions from most acrylic surfaces. Both polishes contain a light abrasive and are not for use on eyeglasses, polycarbonates, or coated plastics. Novus® No. 2 should be used as a follow-up to Novus® No. 3 for best results.

CAT. NO.	DESCRIPTION	CONTENTS
PN7030	Novus® Polish No. 2 (Fine)	8 Fl. Oz. (237 ml)
PN7080	Novus® Polish No. 3 (Heavy)	8 Fl. Oz. (237 ml)

Minimum order: 1 each.

Novus is a registered trademark of Novus, Inc.



CRL Alumin-Nu Metal Cleaner

- For Use On Aluminum, Brass, Copper, Nickel, Chromium, Stainless Steel, and All Bright Metals
- Ideal for Removing Heavy Oxidation
- Leaves No Residue

This concentrated liquid restores metal to its original finish. It is a proven metal cleaner and polish for aluminum, copper, brass, bronze, nickel, chromium, and stainless steel. CRL Alumin-Nu not only cleans flat or extruded sections of metal, it is also used to clean metal plaques and relief work because it does not leave any residue in crevices. It dissolves accumulations of abrasives and grime that have been deposited by ordinary metal polishes. After the surface has been cleaned, a protective film remains which retards discoloration. Alumin-Nu applies easily with a soft cloth, and a little goes a long way.



CAT. NO. 95060QT



CAT. NO. 95060GL

CAT. NO.	CONTENTS	QTY/CASE
95060QT	32 Fl. Oz. (946 ml)	12 Quarts
95060GL	128 Fl. Oz. (3.785 l)	4 Gallons

Minimum order: 1 each.

CRL Autosol® Shine Metal Cleaner

- Cleans and Conditions in a Single Treatment
- Produces a Brilliant Gloss
- Low Ammonia Content



Ideal for all chrome, aluminum, stainless steel, brass, copper, gold, pewter, platinum, silver, and tin, as well as fiberglass, ceramic, and certain painted surfaces. Mild abrasives help to remove built-up tarnish, oxidation, and even rust, leaving behind a protective coating which helps to condition the metal and protect against corrosion while providing a longer lasting shine. Contains an extremely low ammonia content. Other brands with higher concentrations of ammonia can cause long term damage to metals, resulting in premature stress corrosion cracking. **NOTE:** Not suitable for anodized aluminum and fine silver.

CAT. NO.	CONTENTS	QTY/CASE
1188AS	2.5 Fl. Oz. (75 ml)	24

Minimum order: 1 each.

CRL Mötzenböcker's Lift Off® Removers

- Stain Removal Made Easy With Three Specialized Formulas for the Toughest Stains
- Excellent Results on the Job, in the Shop, or in the Home



Lift Off 2 for Grease, Oils, and Adhesives

Lift Off 2 is a Petroleum-based, commercially proven formula that effectively removes such items as adhesives, grease, tar, motor oil, gum, sap, and oil-based foods. Pistol grip bottles are attractive for over-the-counter sales.



CAT. NO.	CONTENTS
LF2	22 Fl. Oz. (650 ml)

Minimum order: 1 each.

Lift Off 3 for Pen, Ink, and Marker Graffiti

Lift Off 3 is a biodegradable, water-based product designed to remove most inks including: permanent markers, indelible inks, ball point pens, highlighters, stamp pad and fountain pen inks. Pistol grip bottles are attractive for over-the-counter sales.



CAT. NO.	CONTENTS
LF3	22 Fl. Oz. (650 ml)

Minimum order: 1 each.

Lift Off 4 for Spray Paint Graffiti

Lift Off 4 is the first biodegradable, water-based spray paint graffiti remover. It actually breaks the molecular bond between the paint and hard, soft or porous surfaces without damaging them. Pistol grip bottles are attractive for over-the-counter sales.



CAT. NO.	CONTENTS
LF4	22 Fl. Oz. (650 ml)

Minimum order: 1 each.

Autosol is a registered trademark of Autosol International GmbH.
Motsenbocker's Lift Off is a registered trademark of Motsenbocker, Gregg A.

CRL Lint Free Glass Wipes

- New, Convenient Pop-Up Dispenser Box
- Strong, Four-Ply White Paper Wipes are Virtually Lint Free
- Reinforced Nylon Scrim in Both Directions so They Work Great Wet or Dry

Extra-tough CRL Lint Free Glass Wipes bring the absorbing power you need in a lighter weight material that's reinforced with a nylon scrim for extra strength. The ripple texture makes them easy to hold during use, and provides just the right amount of surface area for cleaning solutions to do their work.

CRL Lint Free Glass Wipes have no adhesives or binders so they leave nothing behind except clean, lint free surfaces. Besides glass, they are ideal for your most demanding shop clean up tasks.

CRL Lint Free Glass Wipes measure a big 16-1/2" x 9-3/4" (419 x 248 mm). Each case has six pop-up boxes containing 150 wipes each for a total of 900 wipes per case.



• Six Pop-Up Boxes in Each Case

CAT. NO. 1550
900 Wipes Per Case

CAT. NO. BX15
150 Wipes Per Box

CAT. NO.	DESCRIPTION
1550	Case of 900 Wipes
BX15	Box of 150 Wipes

Minimum order: 1 case of 1550; 1 box of BX15.

CRL Lint Free Glass Wipes Dispenser Bracket

- Positions Pop-Up Boxes of 1550 and BX15 Wipes Right Where You Need Them

Mount the K73900 Dispenser Bracket to walls or work benches for quick and easy pull-down dispensing of our 1550 and BX15 Lint Free Glass Wipes. Mounting screws, wall anchors, and double face tape patches are included. After attaching the bracket, simply press the perforated edge of the Wipe box against the two forks to mount. Minimum order is one each.



CAT. NO. K73900

CRL Paper Towels in Rolls

- Strong and Extra Absorbent
- Two Plies Thick



Roll Holder
* Roll of paper towels not included

CRL Paper Towels are two plies of strong white paper with extra absorbent qualities. Each 8-3/4" x 8-3/4" (223 x 223 mm) sheet wipes up spills quickly, and you get 128 sheets per roll. You'll find CRL Paper Towels economical to use. They're great on the job, in the shop, and around the house. Sold only in cases of 20 rolls. Each individually wrapped roll has 128 towels. Wall mounted Paper Towel Roll Holder available separately.

CAT. NO.	DESCRIPTION
41482	Case of 20 Rolls of Towels
148D	Paper Towel Roll Holder

Minimum order for Towels: 1 case. Minimum order for Holder: 1 each.

CRL Micro Fiber Wipes

- Streak Free Cleaning on Windows and Mirrors
- Washable Up to 500 Times



CRL Micro Fiber Wipes have thousands of microscopic fibers that trap dirt and grime to increase cleaning effectiveness and reduce cleaning and drying times. Our large 16" x 16" (406 x 406 mm) size takes on big polishing, waxing, cleaning, and dusting jobs, and when you're done you can simply machine wash them (without fabric softener). Packed two per poly bag with a hanger hook so you can also offer them for resale to your customers.

CAT. NO.	DESCRIPTION	QTY/PACK
MFW2	Micro Fiber Wipes	2

Minimum order: 1 pack.

CRL Wipes In A Bucket



- Quickly Removes Urethane, Tough Soils, Adhesives, Grease, Etc.
- No Rinsing, No Drying, No Residue
- Effective, Portable, and Convenient



CRL99W Wipes in a Bucket are a patented, waterless hand cleaning system combining both a high quality liquid hand cleaner formula, and a heavy-duty, non-scratching, abrasive hand-cleaning towel. Use Wipes in a Bucket to clean up spills, drips, and splatters from most non-porous surfaces like shop tools, equipment, counter tops, and more. Large 10-1/2" x 12-1/4" (267 x 311 mm) wipes dispense easily from their own pop-up container.

CAT. NO.	DESCRIPTION	QTY/CASE
CRL99W	Bucket of 72 Wipes	6
CRL99WB	Optional Wall Mount Bracket	-

Minimum order: 1 each.

CRL Scrubs In-A-Bucket®



- Pop-Up Towels Impregnated with Waterless Hand Cleaner
- Cleans Urethane, Adhesives, Grease, Oils, Tar, and More



Use CRL Scrubs In-A-Bucket® for fast and easy hand cleaning. These pre-moistened towels clean hands of urethane, adhesive, ink, tar, and oil with a gentle-to-the skin formula that gives pumice performance without the grit. Natural citrus fragrance. Also great for cleaning tools, work surfaces, and spills. Large 10-1/2" x 12-1/4" (267 x 311 mm) wipes dispense easily from their own pop-up bucket.

CAT. NO.	DESCRIPTION	QTY/CASE
C422	Bucket of 72 Wipes	6

Minimum order: 1 each.

CRL Kimtowels

- Tough, Strong Multiple Plies
- Highly Absorbent
- Durable and Reusable



These CRL Kimtowels have multiple plies bonded together to form a tough, durable wipe for hands and equipment. Extra absorbent inner plies soak up oil, water, and solvents fast. Kimtowels will clean up more and last longer than ordinary paper towels. Kimtowels measure a big 12.5" x 14.4" (317 x 365 mm).

CAT. NO.	TOWELS/PACK	TOWELS/CASE
K47011	68 per Band Wrap	816
K47033	100 per Pop-Up Box	800

Minimum order: 1 case.

CRL Kimberly-Clark® WypAll® Workhorse® X80 Shop Towels

- Feel Like Cloth and Work Even Better
- Made With Hydroknit® Fast Absorbing Material



CRL Kimberly-Clark® WypAll® Workhorse® X80 Shop Towels feel like cloth and work even better. They are made with Hydroknit® fast absorbing material that has outstanding tear resistance. Absorbs water and oil faster than laundered shop towels. Cases contain five pop-up boxes of 80 white towels for convenient dispensing. Towels measure 9-1/8" x 16-3/4" (231 x 426 mm).



CAT. NO.	DESCRIPTION	QTY/CASE
K41048	Workhorse® X80 Shop Towels	5 Boxes
K73900	Dispenser Bracket	1 Each

Minimum order for Towels: 1 case. Minimum order for Bracket: 1 each.

Scrubs In-A-Bucket is a registered trademark of Illinois Tool Works, Inc. Kimberly-Clark, WypAll, Workhorse, and Hydroknit are all registered trademarks of Kimberly-Clark Worldwide, Inc.

CRL Cross-Line Self Leveling Laser Kit

- Self-Leveling Within 3 Degrees, 49' (15 meter) Range
- Vertical Line, Horizontal Line, or Both
- Locking Mechanism Blocks Self Leveling and Locks Display

The CRL LD200 Cross-Line Self Leveling Laser Kit allows you to cast a vertical or horizontal solid line, or both at the same time. When the device is tipped beyond 3 degrees, the laser will begin flashing and an audio alarm will sound. This kit also includes: three AA batteries, a 1/4-20 threaded mounting hole for use with tripods, a 360 degree swivel mount, a magnetic wall mount, a laser target (to extend useful range), and a rugged nylon storage bag. Minimum order is one each.



CAT. NO. LD200

CRL Standard Spot Laser Tool

- Establishes Plumb and Level
- Projects Laser Beams 3 Ways

PLS3 LASER SPECIFICATIONS:

Working Range: +/- 100 Feet
Accuracy: 1/4" @ 100 Feet
Leveling: Automatic
Leveling Range: +/- 6°
Dimensions: 1-1/2" x 4-1/2" x 3-1/8"



The CRL Standard Spot Laser Tool gives you the convenience of a torpedo level with the quality of information available only from a professional point-to-point laser. Three bright laser points allow the PLS3 to be used anywhere on the job site for level reference and point-to-point plumb from floor to ceiling, or from up to 50 feet (15.2 m) off the ground. Weighing only 12 ounces (.33 kg), this hand held unit operates on three AA batteries (not included) for up to 30 hours. It comes with a Leather Carrying Pouch, Operating Manual, and full one-year manufacturer's warranty. Minimum order is one each.

CAT. NO. PLS3

CRL Deluxe Spot Laser Tool

- Establishes Plumb, Level, and Square
- Projects Laser Beams 5 Ways

PLS5 LASER SPECIFICATIONS:

Working Range: +/- 100 Feet
Accuracy: 1/8" @ 100 Feet
Leveling: Automatic
Leveling Range: +/- 8°
Dimensions: 1-1/2" x 4-1/2" x 3-1/8"



The CRL Deluxe Spot Laser Tool provides simultaneous plumb, level, and square references in a compact, accurate, and affordable package. True point-to-point alignment information speeds layout and installation of curtainwalls, doors, windows, and skylights. Five bright reference points are easily seen indoors or out, and the unit is powered by three AA batteries (not included). It comes complete with Floor Mount, Magnetic Wall Mount, Layout Targets, Carrying Case, Operating Manual, and full one-year manufacturer's warranty. Minimum order is one each.

CAT. NO. PLS5

CRL Prexiso® X2 Laser Distance Measurer

- Measures to 100' (30.5 m) With Accuracy of 1/8" (3.2 mm) or Better
- Measures Distances, Areas, and Volumes for Material Estimates

This CRL Prexiso® X2 Laser Distance Measurer will measure distances in feet-inches, inches or meters from 4" to 100' (0.1 m to 30.5 m). It is accurate to 1/8" (3.2 mm) or better over the entire range. This unit is designed for indoor and limited outdoor applications while being able to measure and calculate areas and volumes. Minimum order is one each.



CAT. NO. 3350

Stanley and FatMax are registered trademarks of Stanley Logistics, LLC. Prexiso is a registered trademark of Prexiso AG Corporation Switzerland.

CRL Stanley® Levels

- Professional Quality
- Aluminum Construction



All Stanley® Levels are constructed from heavy-duty aluminum. They all have a level accuracy of 0.0005" (.01 mm). The vials are made from a unique acrylic block design to greatly increase their impact resistance and ensure maximum accuracy. The "Torpedo" model has a powerful magnetic strip on the base which allows for "hands-free" operation, and holds the Level securely to all iron and steel surfaces.

CAT. NO.	DESCRIPTION	LENGTH
ST42465	Magnetic Torpedo Level	9" (229 mm)
ST43524	FatMax® Level	24" (609 mm)
ST43548	FatMax® Level	48" (1219 mm)
ST43572	FatMax® Level	72" (1829 mm)

Minimum order: 1 each.

CRL Plumb Perfect Level®

new

- Take "Out-of-Plumb" or Level Measurements Quick and Accurate
- No More Guessing With Standard Levels
- Stop Scraping Glass That Doesn't Fit
- Two Sizes Available

The CRL Plumb Perfect Level® was invented by a glazier who was looking for an easy method of establishing the distance a wall is "out-of-plumb" from top to bottom. This figure is necessary for many types of installations, especially when laying out storefront and shower projects. The end design is a simple, "one-person" tool that can be quickly extended to the correct height, trued to plumb, and then with a twist of the scale locking knob you can extend the scale to read the distance "out-of-plumb" the wall is from top to bottom.

The CRL Plumb Perfect Level® is an expandable aluminum frame with a built-in level, plus a calibrated steel scale which protrudes horizontally. Frames have a minimum height of 24" or 56" (610 or 1422 mm) and a maximum extended height of 42" or 98" (1066 or 2489 mm) to fit most common install jobs. These accurate and durable tools will save time and money during each installation.



PPL98 Shown



Vertical Bubble Vial Level



Horizontal Bubble Vial Level



Long Extension Lock and Horizontal Scale

CAT. NO.	DESCRIPTION
PPL42	Expands 24"- 42" (610-1066 mm)
PPL98	Expands 56"- 98" (1422-2489 mm)

Minimum order: 1 each.

CRL Electronic Level and Angle Locator With Digital Display

- Front Laser Beam for Quick Transference of Reference Points
- LCD Screen Automatically Inverts for Overhead Measurements
- LCD Displays Level or Angle
- Audible Indicator for Both 0 and 90 Degrees



CAT. NO. 406065

The CRL Electronic Level is the most advanced level and angle finder in the industry. The bright and clear LCD indicator shows both degrees of level or percent of level; at the same time when the pivot arm is lifted the indicator reads degrees of angle. When turned upside down to determine the level of a header or overhead beam, the LCD screen automatically inverts right-side-up for easy reading. There is a powerful built-in laser, which makes transference of level points a snap. It also features an audible tone when the unit is in perfect level or plumb. Unit is easily field calibrated for level, and the entire tool operates on just 3 "AA" batteries (included). Minimum order is one each.



A Winning Combination-Use your 406065 Electronic Level and Angle Locator with your CRL Cat. No. CM6 Construction Master® Pro Calculator to solve difficult "out-of-square" measurements. Complete detailed instructions can be found on the CRL web site. Just hit the "How To Do It" icon to view step-by-step instructions when you are viewing 406065 online.



CAT. NO. CM6

CRL Plumb/Level Finder Gauges

- Use With Your Level to Determine "Out-of-Plumb"
- Five Individual Thickness Gauges

This handy set of CRL Plumb/Level Finder Gauges makes it simple to determine the amount or distance a wall or floor is "out-of-plumb" when using your bubble vial level. Set includes: 1/16", 1/8", 3/16", 1/4" and 3/8" (1.6, 3.2, 4.8, 6.4 and 9.5 mm) thick neoprene gauges. Simply hold the level tight against a horizontal or vertical surface. True the level and then use the thickness gauges to determine the amount out of level or plumb the surface is at that point. You can combine gauges when necessary for gaps exceeding 3/8" (9.5 mm). Minimum order is one each.

Plumb Perfect Level is a registered trademark of Brian Hale. Construction Master is a registered trademark of Calculated Industries, Inc.



CAT. NO. PLF1



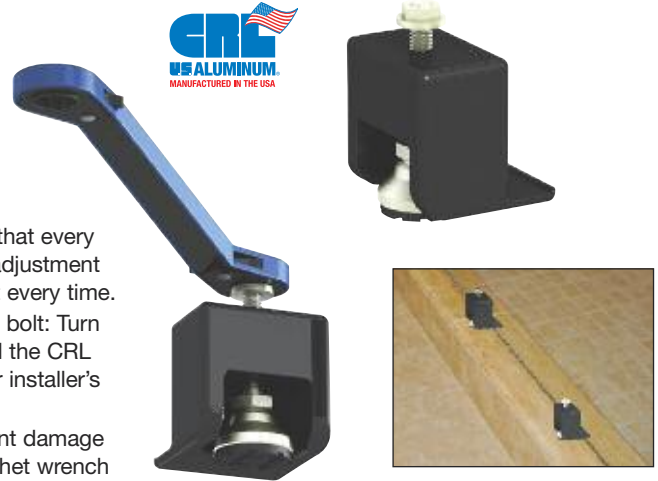
CRL Super Shim Shower Door Leveler

- Easy Adjustable Micro Leveling
- Eliminates Stacks of Wood or Plastic Shims
- Works With 3/8" or 1/2" (9.5 or 12.7 mm) Thick Tempered Glass Doors

The CRL Super Shim Shower Door Leveler is a remarkably simple device that every shower door installer will want in their tool box. The Super Shim is a micro adjustment device which will lift and level any shower door, ensuring a precise alignment every time.

The CRL Super Shim lifts the door panel by way of a threaded adjustment bolt: Turn the bolt clockwise and raise the panel. When used in conjunction with a level the CRL Super Shim will eliminate the phrase "close enough" from every shower door installer's vocabulary. Now every door installation will be a perfect fit.

The CRL Super Shim is manufactured with non-slip materials which prevent damage to tile or glass, while still allowing smooth movement where necessary. Ratchet wrench included. Minimum order is one pair.



CAT. NO. SS2L

CRL Frameless Blocks

- Use With 3/8" (10 mm) and 1/2" (12 mm) Thick Glass to Assist in Aligning and Leveling

CRL Frameless Blocks are used to help with the installation of 3/8" (10 mm) and 1/2" (12 mm) frameless shower doors and panels. You can set your door and panels in the blocks to assist in plumbing, aligning, and leveling your glass. Adjust your height by adding setting blocks in the rails. The base is 5/16" (8 mm) thick. The opening size for 3/8" (10 mm) glass is 7/16" (11 mm) wide, and for 1/2" (12 mm) glass the opening is 9/16" (14 mm).

Frameless Blocks help to avoid chipping, flaking, and breakage while helping to reduce installation time. Your installers will appreciate all of these features, as well as added safety. They can also be used to help with the installation of 3/8" (10 mm) and 1/2" (12 mm) commercial storefront doors and panels.



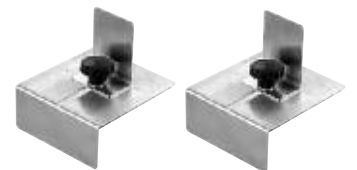
CAT. NO.	FOR USE WITH
FB38G	3/8" (10 mm) Glass
FB12G	1/2" (12 mm) Glass

Minimum order: 1 each.

CRL Perfect Reveal Tool

- Establish and Maintain Perfect Reveal Depth
- Easy to Adjust
- Non-Marring Bottom Cushions
- Works For Doors and Fixed Panels

The CRL PR2S Perfect Reveal Tool is another glazier designed tool produced by CRL to further aid shower door craftsmen in perfecting their trade. The Perfect Reveal Tool allows the installer to preset and repeat the reveal depth for all panels in any frameless shower enclosure installation. Single knob allows vertical glass stop to be adjusted and set for correct depth. Dimensional scales are etched into the stainless steel body. Non-marring surface gripping cushions on bottom of tool protect the curb from the metal body of the PR2S, and prevents movement or slippage. Sold in pairs. Minimum order is one pair.



CAT. NO. PR2S

CRL Frameless Hinge Jig

- Rapid Mounting of Wall Hinge Plates
- Accurately Mark Hole Locations Without Mounting Hinges on Glass
- Includes Templates for CRL Geneva, Pinnacle, Cologne, and Vienna Series Hinges

The Frameless Hinge Jig is the latest in a long line of "glazier inspired" tools that makes the installation of a wall mounted door more rapid and increases the accuracy of the hinge placement. The jig has been designed to accommodate many different wall mount hinge plate designs and, in doing so, acts as a template for marking the wall for drilling holes.

The Frameless Hinge Jig comes equipped with a folding straight edge that supports two adjustable hinge plates used for marking the wall. Minimum order is one each.



CAT. NO. FHJ1

CRL Frameless Assist Shower Door Panel Clamp



new

- Holds Fixed Panels and Doors in Perfect Alignment
- Works With 3/8" to 1/2" (10 to 12 mm) Tempered Glass
- Clear Construction Keeps All Points Visible
- Adjustable for 90°, 180° or "T" Configurations

The CRL Frameless Assist Shower Door Panel Clamp is another in a long line of tools developed by, and for, professional glaziers. This ingenious tool was invented by a detail-oriented CRL customer with a perfectionist's eye. It helps you maintain precise, even spacing in door to fixed panel assemblies, whether in 180 or 90 degree installations.

Tool arrives configured for 3/8" (10 mm) glass. Simply loosen the four rear knobs, insert the 1/8" (3 mm) spacer plate to change over to 1/2" (12 mm) glass. Use in conjunction with Cat. No. MAT1 kit (shown below), for the most precise panel installation ever. Each kit is sold separately. Minimum order is one each.



CAT. NO. FA3W

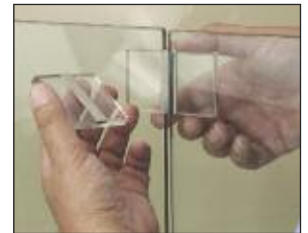
CRL Magnetic Shower Installation Alignment Tool



new

- Provides Accurate, Consistent Gaps Between Doors and Panels
- Works With 3/8" to 1/2" (10 to 12 mm) Tempered Glass
- All Components are Re-Usable

Developed by a frameless shower door installer with exceptional concern for efficiency and detailed workmanship, the CRL Magnetic Shower Installation Alignment Tool can serve many other butt-glazed glass applications. The tool's two spacer assemblies, placed one at the top and one at the bottom, perform in two planes. First, it works vertically by use of the desired gap size running top to bottom. Secondly, it aligns the two panels horizontally. You can use it in conjunction with our new Frameless Assist Tool and our Super Shim Shower Door Levelers for even faster and more precise installations. Powerful neodymium rare earth magnets maintain the spacer's position. Kit includes a durable utility tool box that organizes all of the kit's components. Minimum order is one each.



CAT. NO. MAT1

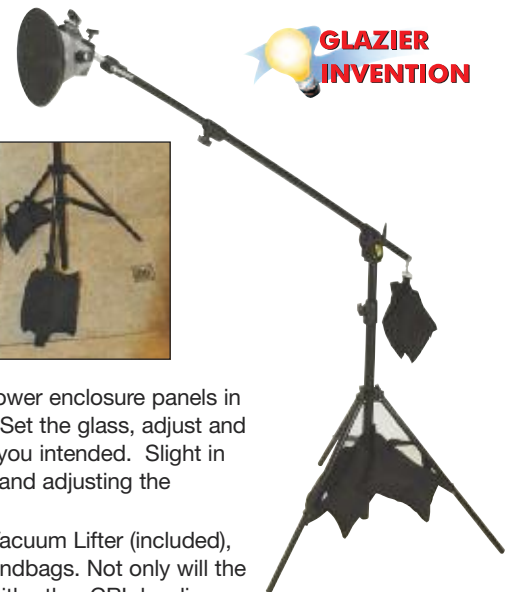
CRL "Best Friend" Shower Door Installation Assistant

- Replaces Second Person on Many Shower Door Installations
- Adjustable to Any Angle
- Works Inside or Outside of Enclosure



The CRL "Best Friend" Shower Door Installation Assistant works to stabilize and hold shower enclosure panels in place during set-up and installation, permitting a single glazier to perform the work of two. Set the glass, adjust and attach the "Best Friend", and you can be sure of the panel being held in the exact position you intended. Slight in and out adjustment can be accomplished by simply loosening the lock ring on the top arm and adjusting the extension tube.

The CRL "Best Friend" Clamp Head provides a firm grip on the CRL S338 8" (203 mm) Vacuum Lifter (included), and the stand base can be stabilized as needed with the two included 10 pound (4.5 kg) sandbags. Not only will the CRL "Best Friend" help with holding fixed panels and sidelights in place, when combined with other CRL leveling and alignment devices, it can also make hanging the door panel a one person operation. Minimum order is one each.



CAT. NO. SDBF1

CRL Production Diamond Glass Drilling Machine



CAT. NO. AMZ1

110V AC Model

CAT. NO. AMZ1AU

230V AC Model

- Variable Speed, High Torque DC Motor
- Drills Holes Faster and More Precisely Than Any Other Portable Glass Drilling Machine
- Built-In Water Coolant Chuck
- Locking Vacuum Cup Base
- Accepts Belgian Thread Diamond Drills 1/8" to 4" (3 to 102 mm) in Diameter

AMZ1 Features:

- Advanced electronic circuitry
- A powerful DC motor with an electronic variable speed control that provides full torque at all speeds ranging from 0 to 2900 RPM
- Twin vertical guide posts for precise drilling
- A dual locking vacuum cup base keeps the machine steady while drilling

Standard Accessories:

- 12' (3.6 m) Heavy-Duty Power Cord
- Coolant Retaining Ring
- Coolant Chuck With Supply Hose
- Externally Serviceable Motor, Brushes, and Fuse
- Built-in Handle for Easy Carrying
- Service Wrenches
- Complete Operation Manual

The CRL AMZ1 Production Diamond Drilling Machine drills 1/8" to 4" (3 to 102 mm) holes faster and more precisely than any other portable glass drilling machine. In comparison to other machines on the market, drilling a 2" (50.8 mm) hole in 1/4" (6 mm) mirror can be done in less than ten seconds while using a properly dressed drill bit (tests done under controlled conditions).

The CRL AMZ1 ships ready for use with a grounded plug for use with a Ground Fault Circuit Interrupt Device, such as our Cat. No. GF1. It is also loaded with popular features, and durable enough to give you years of dependable service. Make the move up from steel and brass tube drills, and their messy silicon carbide slurry, to our technically advanced Belgian Mount Multi-Layer Metal Bond Drills. Most commonly used with the AMZ1 are the Belgian Mount PDT Series (Metal Bond) and HBT Series (Electro-Formed) Diamond Drills (see pages 532J – 533J).

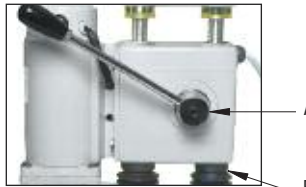
NOTE: When purchasing the AMZ1 Drill Machine you should also purchase a Sharpening Stone to dress your Metal Bond Diamond Drills. The stone should be wider than the diameter of the drill being sharpened. Sharpening Stones are located on page 534J.



Electronic Variable Speed Control



Center Fed Coolant Chuck



Depth Indicator (A) and Twin Vertical Guide Posts (B)



Locking Rubber Vacuum Cup Base

Optional Accessories



Optional Straight Shank Conversion Collet
CAT. NO. AMZ229



Optional Base Ring With Drain Tube
CAT. NO. AMZ228



Optional Coolant Supply Pressure Tank
CAT. NO. AMZ200



Accepts Threaded Belgian Mount Drills, Countersinks, and Spot Facers

PRODUCTION DRILLING MACHINE AND ACCESSORIES

CAT. NO.	DESCRIPTION
AMZ1	Drilling Machine 110V AC
AMZ1AU	Drilling Machine 230V AC
AMZ200	Optional Coolant Pressure Tank
AMZ228	Base Ring With Drain Tube
AMZ229	Conversion Collet for Straight Shank Drills

Minimum order: 1 each.

REPLACEMENT PARTS FOR AMZ1 DRILLING MACHINE

CAT. NO.	DESCRIPTION
AMZ205	Spindle With Drill Chuck
AMZ213	Replacement 10 x 6 mm Brush
AMZ214	Two Motor Brushes 8 x 7 mm
AMZ215	Replacement 250-Volt 7amp Fuse
AMZ226	Replacement Circuit Board
AMZ227	Replacement Motor

Minimum order: 1 each.

CRL Tripod Glass Drilling Machine



CAT. NO. CRL2

- Our Best Selling Drill Machine
- For Use With Diamond, Steel or Brass Tube Drills, as Well as Spearpoint and Prismatic Drills
- Heavy-Duty, 4 AMP Variable Speed Motor With Ball-Type Thrust Bearings
- Variable Speed Adjustment Up to 1,300 RPM
- Dual Adjustment System for Quick and Micro-Depth Adjustments to Reduce Chipping of the Glass
- Self-Drilling Design Eliminates the Need for Operator Applied Pressure
- Lubricated Sealed Bearings to Reduce Maintenance Costs
- Non-Skid Rubber Leg Caps Add Stability and Minimize Vibration
- Compound Action Handle for Easy Lifting

Years of experience in the sales and service of glass machinery, combined with extensive market research, has enabled C.R. Laurence to develop a superior piece of equipment to fill the glass drilling needs of the glass business. The CRL Tripod Glass Drilling Machine is the most widely used machine in the industry.

It is completely portable so it can be used at the shop or on the job site. It plugs into any 110V AC circuit. The drill can easily be positioned directly over any area to be drilled. The non-skid rubber leg caps hold the machine firmly to the drilling surface. It has a heavy-duty motor with a 3/8" (9.5 mm) ball bearing supported chuck to eliminate wobble.

Quick adjustment pre-sets the desired drilling depth slightly less than the thickness of the glass, stopping within a fraction of an inch of the bottom surface so that the last little bit may be drilled slowly to reduce chipping of the glass. This is extremely important when drilling mirrors.

Variable speed adjustment allows for use with most Tube Drills (Brass, Steel or Diamond Types) along with Spearpoint Drills. Our Prismatic Carbide Tipped Drills can only be used at a reduced speed. The CRL2 comes complete with a chuck key and eight foot (2.4 m) power cord.



Heavy-Duty 3/8" (9.5 mm) Chuck



Accepts Drills Up to 6" (152 mm) in Diameter



Works with Diamond, Brass, Steel, Spearpoint, and Prismatic Glass Drills



Fast and Easy Micro-Depth Adjustment System Ensures Minimal Breakouts



Cat. No. CRL2DK Starter Kit. See crlaurence.com for details.

NOTE: We recommend using our Cat. No. GF1 Ground Fault Circuit Interrupt Device (see page 535J).

TRIPOD GLASS DRILLING MACHINE

CAT. NO.	DESCRIPTION
CRL2	110 Volt Tripod Glass Drilling Machine
EU3	230 Volt Tripod Glass Drilling Machine-European Plug
AU3	230 Volt Tripod Glass Drilling Machine-Australian Plug

REPLACEMENT PARTS

CAT. NO.	DESCRIPTION
CRL2MB*	1/4" x 5/16" (6 x 7 mm) Replacement Motor Brushes
869734#	1/4" x 1/4" (6 x 6 mm) Replacement Motor Brushes
DMP103	Replacement Motor for CRL2
DMP110	Replacement Chuck Key
DMP112	Replacement Guide Roller Bearings
DMP115	Replacement Non-Skid Rubber Leg Cap
DMP141	Replacement Switch

Minimum order: 1 each. *CAT. NO. CRL2MB fits motors with black plastic holder surrounding a brass tube on three sides. # CAT. NO. 869734 fits motors with all brass holders. Brushes sold two per pack.

CRL Swivel Drill Machine

- Drills Outlet Cut-Outs Without Repositioning
- Built-in Retaining Ring

This unique Drilling Machine was designed primarily to make cut-outs for plug and switch receptacles. The CRL Swivel Drill Machine has a suction cup base that also acts as a coolant retainer when drilling with Diamond Tube Drills. Drill the first hole, insert the rubber plug, swivel drill head, and then drill the second hole.

It can also be used for drilling larger holes with tube drills up to 6" (152 mm) in diameter. The drill head has the unique ability to swing a full 360 degrees so drilling up close to the glass edge is made easy. This also lets you use larger diameter drills than will fit in the built-in retaining ring. The machine is powered by a 1000 RPM, 110V AC motor. **NOTE:** Always wear the proper safety gear when using any type of power tool. A Cat. No. GF-1 Ground Fault Circuit Interrupt Device should be used with any type of wet-working electric tool (see page 535J).



For Diamond Tool Coolant see page 534J



Drill first hole, swivel head, and then drill the second hole



Swivel the head to one side for drilling larger holes up to 6" (152 mm)

CAT. NO.	DESCRIPTION
SDM4	Swivel Drill Machine
SDM03G	Replacement Coolant Ring

Minimum order: 1 each.

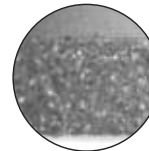
CRL Standard Plated Diamond Drills

- Durable and Cost Efficient
- Smooth Continuous Rim
- For Tripod and Cup-Type Drilling Machines

CRL EDD Series Standard Plated Diamond Drills were designed for a cost effective method of drilling, and are our most popular and economically priced drill. The sturdy solid steel construction allows quick hole drilling with clean break-outs. The 3/8" (9.5 mm) diameter shank allows for a sure fit into any drill machine.

CAT. NO.	DIAMETER	RPM RANGE
EDD2	2" (50.8 mm)	1100-1400
EDD214	2-1/4" (57.2 mm)	900-1100

Minimum order: 1 each. All CRL Diamond Drills can be combined for quantity pricing.



Magnified View of Diamond Crystals

Straight Shank EDD Drill



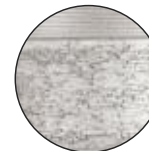
For our complete line of CRL "EDD" Series Drills, refer to the CRL73R Catalog, or go to crlaurence.com and enter EDD DRILLS in the Search Box.

CRL Electro-Formed Diamond Drills

CRL DCD and HBT Series Electro-Formed Diamond Drills have a thin wall with a 1/2" (12.7 mm) deep multi-layer of diamonds and bonding matrix. These drills are designed for high speed, high production drilling, and produce outstanding results when exacting conditions are met.

Due to the fragile nature of these types of drills, they should only be used in a precision machine, never allowing too much pressure to be applied. It is important to handle these types of diamond drills with care and use on flat surfaces only. Periodic sharpening or "dressing" of these drills will substantially increase their cutting capabilities. For our complete line of CRL PDSS Series Sharpening Stones refer to page 534J.

- For Fast Cutting, High Production Runs



Magnified View of Diamond Crystals

Straight Shank DCD Drill



Belgian Thread HBT Drill



DCD STRAIGHT SHANK DRILLS		
CAT. NO.	DIAMETER	RPM RANGE
DCD2	2" (50.8 mm)	1200
DCD214	2-1/4" (57.2 mm)	1200

Minimum order: 1 each. All CRL Diamond Drills can be combined for quantity pricing.

For our complete line of CRL "DCD" and "HBT" Series Drills, refer to the CRL73R Catalog, or go to crlaurence.com and enter DCD DRILLS or HBT DRILLS in the Search Box.

HBT BELGIAN THREAD DRILLS		
CAT. NO.	DIAMETER	RPM RANGE
HBT2	2" (50.8 mm)	1500-2300
HBT214	2-1/4" (57.2 mm)	1300-2000

Minimum order: 1 each. All CRL Diamond Drills can be combined for quantity pricing.

CRL Amazing Glazing Metal Bond Diamond Drills

CRL PD and PDT Series Metal Bond Diamond Drills use a special diamond and brass bond for maximum performance in glass. Metal Bond Drills offer the greatest life, yielding 1000 to 2000 holes in 1/4" (6 mm) glass, with proper maintenance and the use of a wet Sharpening Stone to expose fresh diamonds. These multi-layer drills cut faster and run cooler than any other drill on the market. They have a full 3/8" (9.5 mm) deep cutting surface filled with diamonds and bronze bond, which allows for long drill life, but also makes this style drill more fragile. They should always be used in true running machines on flat glass surfaces.

- Straight Shank and Belgian Thread Type
- Designed for High Volume Glass Fabrication
- A Full 3/8" (9.5 mm) of Diamond Matrix Depth



Magnified View of Diamond Crystals



PD STRAIGHT SHANK DRILLS

CAT. NO.	DIAMETER	RPM RANGE
PD2	2" (50.8 mm)	2250-2750
PD214	2-1/4" (57.2 mm)	1750-2250

Minimum order: 1 each. All CRL Diamond Drills can be combined for quantity pricing.



PDT BELGIAN THREAD DRILLS

CAT. NO.	DIAMETER	RPM RANGE
PDT2	2" (50.8 mm)	2250-2750
PDT214	2-1/4" (57.2 mm)	1750-2250

Minimum order: 1 each. All CRL Diamond Drills can be combined for quantity pricing.

For our complete line of CRL "PD" and "PDT" Series Drills, refer to the CRL73R Catalog, or go to crlaurence.com and enter PD DRILLS or PDT DRILLS in the Search Box.

CRL Amazing Glazing Plated Diamond Drills

- Unique Aggressive Sawtooth Profile
- Our Most Durable Style Drill

CRL Amazing Glazing Plated Diamond Drills are perfect for use in portable tripod and cup style machines. With their special sawtooth design, these drills tend to be more aggressive than others. Use with CRL Diamond Tool Coolant in conjunction with a retaining ring for best results.



CAT. NO.	DIAMETER	RPM RANGE
AG2	2" (50.8 mm)	1100-1400
AG214	2-1/4" (57.2 mm)	900-1100

Minimum order: 1 each. All CRL Diamond Drills can be combined for quantity pricing.

For our complete line of CRL "AG" Series Drills, refer to the CRL73R Catalog, or go to crlaurence.com and enter AG DRILLS in the Search Box.

CRL Amazing Glazing Drill Adapter

- Allows Use of Belgian Thread Drills in a Standard Drill Chuck



Typical Belgian Thread Drill

The CRL Drill Adapter allows you to use a Belgian Thread Drill in a shank (straight jaw) type machine. The CRL ADTS Adapter threads onto a Belgian Type Drill leaving you a 3/8" (9.5 mm) diameter straight shank to fit into the jaws of your drill machine's chuck. Minimum order is one each.

CAT. NO. ADTS

CRL Short Run Plated Diamond Drills

- For Lower Production Drilling Requirements
- Single Layer Diamond Impregnation for Savings

The CRL Short Run Diamond Drill is made with the same process as the CRL Standard Plated Drill, but with less diamonds per drill. This CRL Drill is a good choice for special jobs that do not require a large number of holes. CRL Short Run Plated Diamond Drills should always be used with CRL Diamond Tool Coolant and a retaining ring. Great for one time projects.



CAT. NO.	DIAMETER	RPM RANGE
SRDD2	2" (50.8 mm)	1100-1400

Minimum order: 1 each. All CRL Diamond Drills can be combined for quantity pricing.

For our complete line of CRL "SRD" Series Drills, refer to the CRL73R Catalog, or go to crlaurence.com and enter SRDD DRILLS in the Search Box.

CRL Mini Water/Coolant Adapter

- Allows the Use of High Yield Metal Bond Belgium Thread Drills in Your Existing Drill Machine



Add efficiency to your tripod, vacuum cup type or industrial drill press with the CRL Mini Water/Coolant Adapter. The 3/8" (9.5 mm) straight shank fits most drill machines. A 6-1/4" (159 mm) minimum clearance is required from the end of your drill chuck to the actual drilling surface. Always use with a Ground Fault Circuit Interrupt Device (Cat. No. GF1 on page 535J). Minimum order is one each.

CAT. NO. WCCM1N1

CRL Diamond Tool Coolant Concentrate

- An Excellent Coolant for Glass Drilling, Cutting, or Routing
- Extends the Life of the Tool



CAT. NO. DTC80Z
8 Fl. Oz (236 ml)

CAT. NO. DTC80QT
1 Quart (945 ml)

CAT. NO. DTC80GL
1 Gallon (3.785 l)

CRL Diamond Tool Coolant Concentrate is mixed with water to create an excellent coolant solution for drilling, sawing, and routing glass. It is economical to use, because of a ratio of 50 parts water to one part Concentrate is all it takes for optimum cooling and lubricating performance. CRL Diamond Tool Coolant Concentrate is biodegradable, which means it can be safely disposed of in your shop's drain without causing harm to the environment.

CAT. NO.	CONTENTS
DTC80Z	8 Ounces (236 ml)
DTC80QT	One Quart (945 ml)
DTC80GL	One Gallon (3.785 l)

Minimum order: 1 each.

CRL Suction Base Drilling Rings

- Instantly Creates a Coolant Dam
- Slanted Walls Help Stop Splashing



Use our Suction Base Drilling Rings for drilling glass whenever you use coolant or carbide grain. Made of a special rubber compound that won't break the glass if accidentally dropped on it. Easy to use, just wet the base with coolant or glass cleaner and press onto the glass. Four sizes of round rings, plus an oval shaped ring for drilling dual outlets. Diameters are measured inside the ring.

CAT. NO.	DESCRIPTION
RR15	1-1/2" (38.1 mm) Round Ring
RR30	3" (76.2 mm) Round Ring
RR45	4-1/2" (114.3 mm) Round Ring
RR65	6-1/2" (165.1 mm) Round Ring
RR24	2" x 4" (50.8 x 101.6 mm) Oval Ring with Plug
RP20	2" (50.8 mm) Tapered Plug Only

Minimum order: 1 each.

CRL Sharpening Stones

- Brings Life Back to Your Production Diamond Drills
- Use to Expose Fresh Diamonds



Achieve maximum life from your diamond drills by using the correct Sharpening Stone. These highly abrasive stones remove worn diamond and bond contact, exposing fresh cutting crystals. CRL Sharpening Stones are designed for use with CRL Production Style Metal Bond and Electro-Formed Diamond Drills. When using a CRL Sharpening Stone, make sure the drill diameter is smaller than the sharpening surface. Always saturate CRL Sharpening Stones in coolant thoroughly before use. This will avoid any unnecessary heating of the drill bit.

CAT. NO.	SIZE
PDSS	2" x 7" x 1/2" (51 x 178 x 12 mm)
PDSS3	4" x 6" x 1" (102 x 152 x 25 mm)
PDSS4	6" x 8-1/2" x 1/2" (152 x 216 x 12 mm)
G0513	3" x 1-1/2" x 1/4" (75 x 35 x 6 mm) - Australia Only

Minimum order: 1 each.

CRL Rubber Base Drilling Rings

- Cast Iron Rings With Rubber Bases
- Retains Abrasive Grain Slurry



Use these CRL Rubber Base Drilling Rings to retain the abrasive grain slurry while the drill is rotating and cutting into the glass. These cast iron rings have rubber bases to hold them securely to the glass, providing a proper seal, and allowing the coolant to mix with the grain for quick efficient drilling. They are available in four diameters, individually or as a set of the three most popular.

CAT. NO.	FITS DRILL DIAMETERS
RBR3	1/2" (12.7 mm) to 1-1/4" (31.8 mm)
RBR6	1/2" (12.7 mm) to 2-1/2" (63.5 mm)
RBR9	1/2" (12.7 mm) to 4" (101.6 mm)
RBR369	Set of Three (RBR3, RBR6, RBR9)
RBR12	1/2" (12.7 mm) to 6" (152.4 mm)

Minimum order: 1 each.

CRL Portable Glass Router

- New Improved Version of Our Most Popular Router is Lightweight and Maneuverable
- Comes With Everything You Need to Cut Any Shape in Glass Up to 1/2" (12 mm) Thick

Our popular ADR2 Portable Glass Router has a new feature that incorporates more power and better performance. The ADR2 Router is a glass working marvel. You will be amazed at the intricate shapes that can be cut with this tool. With very little practice you can cut almost any curve or radius, while leaving a structurally sound piece of glass. Mirror outlets, switch plates, circles, speak holes, and desk tops with computer/phone wire cut-outs are easily fabricated with the ADR2.

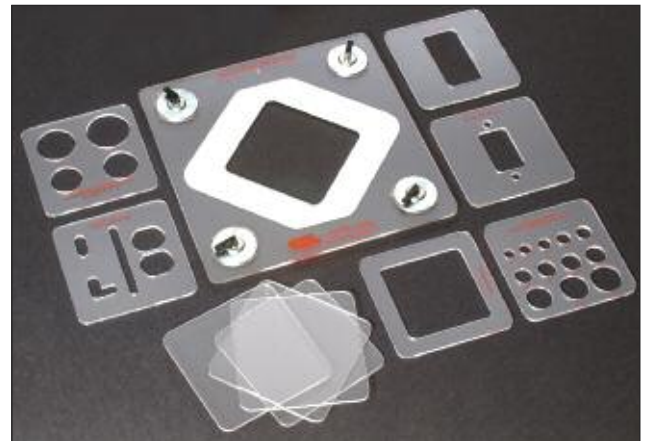
The biggest advantage of the CRL ADR2 is that it can plunge cut its own starter holes! No need to stop and drill a pilot hole before routing. This means less down time and more production. This corded, 110V AC, variable speed (10,000-30,000 RPM) machine is rated at 850 Watts. There is no changing, charging, and purchasing of multiple batteries.

The ADR2 comes complete with: the Router and Base, Ground Fault Circuit Interrupter, 5-pack of 1/8" (3.2 mm) High Speed 80 Grit Router Bits, one 1/4" (6.3 mm) Seaming Bit, one 1/8" (3.2 mm) High Speed 40 Grit Router Bit, Custom Cooling System Manifold, Pressure Tank, one bottle of CRL Diamond Tool Coolant, Special Valve Assembly, one roll of Glass Protective Film, and a complete Instruction Manual.

Our Cat. No. ADR2T Deluxe Portable Glass Router comes with all of the above, as well as the Cat. No. TPS Router Template Option and a Steel Template Guide.



CAT. NO. ADR2



CAT. NO. TPS
Router Template Option



Notch Example



Freeform Example



Notch Example



CAT. NO. GPF25
12" Wide Glass Protecting Film - 25' Roll



CAT. NO. ADRB40
40 Grit 1/8" High Speed Diamond Router Bit



CAT. NO. ADRB120
120 Grit 1/8" High Speed Diamond Router Bit



CAT. NO. SFRB14220
220 Grit 1/4" Flat with Seam Diamond Router Bit

CAT. NO.	DESCRIPTION
ADR2	110 Volt Portable Glass Router System
ADR2240V	240 Volt Portable Glass Router System
ADR2T	Deluxe 110 Volt Portable Router System With Template
ADR2T240V	Deluxe 240 Volt Portable Router System With Template
TPS	Router Template Option
ADRB40	40 Grit 1/8" (3.2 mm) High Speed Router Bit
ADRB120	120 Grit 1/8" (3.2 mm) High Speed Router Bit
SFRB14220	220 Grit Seaming Bit for 1/4" (6 mm) Glass
DTC80Z	8 Oz. (236 ml) Diamond Tool Coolant
GPF25	12" (305 mm) Wide x 25 Ft. (7.62 m) Roll Glass Protective Film
GPF50	12" (305 mm) Wide x 50 Ft. (15.2 m) Roll Glass Protective Film
GF1	Ground Fault Circuit Interrupter
AMZ200	Pressure Tank

Minimum order: 1 each.



CAT. NO. GF1
Ground Fault Circuit Interrupter



CAT. NO. AMZ200
Optional Coolant Pressure Tank

CRL Diamond Notch and Saw Machine

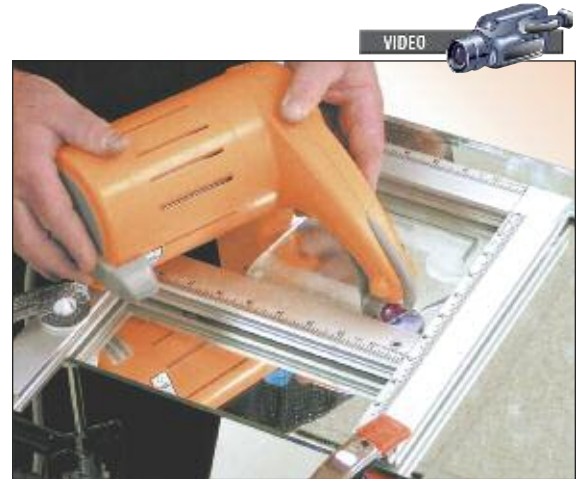
- Produces Notches and Free-Style Pattern Edge Cuts
- Fast-Cutting Ring Blade With 360 Degree Diamond Coating Cuts in All Directions
- Optional Radius and Glass Clamp Templates Available

CRL's Diamond Notch and Saw Machine is the latest advancement in glass fabrication machinery. This amazing saw utilizes a high-quality 5-3/4" (146 mm) Steel Ring Blade with specially coated diamonds to provide smooth, fast cutting in all directions of glass up to 1/2" (12 mm) thick.

Use it freehand and reduce labor time 75% on patterns such as crown molding with smooth, chip-free results, or use the adjustable jig tool to eliminate drilling and cut your labor by more than 50%. No more double layouts. Simply cut forward and sideways, back out and you are done. Minimal or no sanding is required. This is the only saw capable of producing strong, square corners. An Internal Sponge Cover provides cutting coolant with no pump required.

Optional Radius Templates for 9/32" (7.1 mm), 5/16" (7.9 mm), 3/8" (9.5 mm), and 7/16" (11.1 mm) radii create "mouse ear" and U- shape sized cut-outs for popular CRL Shower Door Hinges. Templates for CRL BGCU1, SGCU1, GCB188, and SGC188 Glass Clamps also eliminate the need for drilling, scoring, break-out, and costly CNC machine set-up.

Kit includes: Diamond Notch and Saw Machine, Standard Blade, Blade Stabilizer with Template Disc, Adjustable Jig Tool with 1/4" (6.3 mm) Radius Templates, Two Adjustable Clamps, a Set of six Replacement Grommets, and Instructions. Additional replacement parts are also available. We recommend that all electrical glass tools be used with a Cat. No. GF1 Ground Fault Circuit Interrupt Device (see page 535J). Minimum order is one each.



CAT. NO. DNS1



NOTE: Always Wear Eye Protection When Using Glass Fabrication Power Tools.

Easy to Set Up and Use



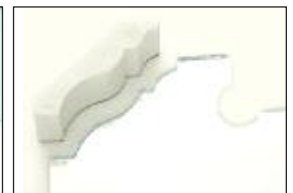
Measure



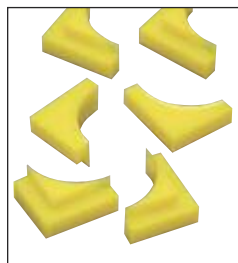
Position



Saw



Optional Templates and Replacement Parts



Radii Template Set



Glass Clamp Template Set



Shower Door Template Set

CAT. NO.

DESCRIPTION

DNS1	Diamond Notch and Saw Kit 110V 60Hz
DNS1AU	Diamond Notch and Saw Kit 240V 50Hz Australian Plug
DNS1TS	Four Radii Template Set – 9/32", 5/16", 3/8" & 7/16"
DNS1TA	Template for CRL BGCU1 and SGCU1 Glass Clamps
DNS1TB	Template for CRL GCB188 Glass Clamps
DNS1TC	Template for CRL SGC188 Glass Clamps
DNS1X	Template for CRL Geneva and Pinnacle Shower Door Hinges
DNS1Y	Template for CRL Vienna Shower Door Hinges
DNS1Z	Template for CRL Concord Shower Door Hinges
DNS1BL	Diamond Ring Blade with Two Orange Groove Grommets
DNS10G	Orange Groove Grommets – Two Per Pack
DNS1RG	Red Gear Grommets with Bearings – Two Per Pack
DNS1DB	Drive Belt
DNS1SC	Sponge Cover

Minimum order: 1 each.

CRL 12 Volt Mirror and Glass Notching Saw

- 12V Lithium-Ion Battery Powered – Completely Self-Contained
- Makes Plunge Cuts and Edge Cuts
- Refillable Coolant Dispenser

The CRL NS4000 12V Cordless Notching Saw Kit is an example of innovative CRL design and engineering. The NS4000 combines the latest technology from the Makita® Lithium-Ion power system, and a coolant delivery system featuring a unique body mount designed and assembled by CRL. Using this 1400 RPM Notching Saw to cut notches and cut outs in glass and mirror is simple and fast. The thin 3-3/8" (85 mm) diamond blade provides very narrow stock removal so measurements remain accurate. Makes edge cuts or plunge cuts in glass up to 1/2" (12 mm) thick. Lithium-Ion battery pods do not retain charging memory so each charge brings battery back to 100%. These batteries also retain charge with little or no power loss during storage.

CAT. NO.	DESCRIPTION
NS4000	12V Mirror and Glass Notching Saw - 110 Volt
NS4000AU	10.8V Mirror and Glass Notching Saw Australia Plug
NS3B	3-3/8" (85 mm) Diamond Smooth Cut Glass and Mirror Blade
7249508C	3-3/8" (85 mm) Diamond Tile Cutting Blade
BL1014	12V DC Lithium-Ion Battery Cartridge
DC10WB	12V Lithium-Ion Battery Charger - 110 Volt
DTC80Z	8 Oz. (236 ml) Diamond Tool Coolant
NS3PB	Coolant Dispenser Bottle

Minimum order: 1 each.

CRL 18 Volt Cordless Diamond Glass Saw Kit

- Powerful 18 Volt Cordless Saw Cuts 1/4" to 3/4" (6 to 19 mm) Thick Glass
- Polycarbonate Base Won't Scratch Mirror

The CRL 18 Volt Cordless Diamond Glass Saw utilizes a powerful 18V DC battery to cut glass quickly, leaving a beautiful chip-free finish. This powerful saw will plunge, straight, and angle cut thin and thick glass from 1/4" (6 mm) up to 3/4" (19 mm) thick with power to spare.

The LD172 utilizes a thin kerf, 5-3/8" (136.5 mm) Diamond Blade and a Pressurized Coolant System with an easy disconnect feature. Use the single nozzle coolant line for glass up to 1/4" (6 mm) thick, or the double nozzle coolant line for thicker glass. It has a polycarbonate base to provide a smooth cutting surface with less chance for scratching the glass. A molded plastic case keeps your saw and accessories safe and organized. The Medium 100 Grit Diamond Blade (Cat. No. DBM) offers fast cutting speeds where edge quality is not critical. You can also use the optional Fine 220 Grit Diamond Blade (Cat. No. DBF). Although slower cutting than the DBM Diamond Blade, it produces an extremely smooth edge. Blades are adjustable from 90 degrees to 45 degrees for miter cuts.

CAT. NO.	DESCRIPTION
LD172	18V Cordless Diamond Glass Saw Kit - 110 Volt
DBF	5-3/8" (136.5 mm) Fine 220 Grit Diamond Blade
DBM	5-3/8" (136.5 mm) Medium 100 Grit Diamond Blade
LD172B	18V DC Battery Cartridge
LD172C	One Hour 18V DC Battery Charger - 110 Volt
LD172C240V	One Hour 18V DC Battery Charger - 240 Volt
LD172PT	1 Gallon (3.8 l) Pressure Tank

Minimum order: 1 each.

Makita is a registered trademark of Makita Corporation.

new



CAT. NO. NS4000

Standard Equipment Includes: Two Rechargeable Lithium-Ion Battery Cartridges, 110V Battery Charger, Blade Wrench, 3-3/8" (85 mm) Carbide Tip Blade, 3-3/8" (85 mm) Diamond Smooth Cut Blade, Coolant Dispenser, Full instructions for use.



3-3/8" (85 mm) Optional Diamond Tile Cutting Blade



3-3/8" (85 mm) Included Diamond Smooth Cut Glass and Mirror Blade



Diamond Metal Bond Edge of NS3B Blade

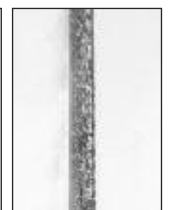


CAT. NO. LD172

Standard Equipment Includes: 18 Volt Cordless Saw, 5-3/8" (136.5 mm) Medium 100 Grit Diamond Blade, 18V DC Battery Cartridge, One Hour 18V DC Battery Charger, Pressurized Coolant System, Quart of Diamond Tool Coolant, and a Carrying Case.



DBM and DBF Diamond Blades



Diamond Plated Edge

CRL 18V Cordless Variable Speed Impact Driver/Drill Kit

- Reversible With Two Speed Ranges: 0 to 500, and 0 to 1150 RPM

The CRL 18 Volt Cordless Variable Speed Impact Driver/Drill is a lot of tool for a very conservative price. Put a drill bit or the included double-headed screwdriver bit into the keyless 3/8" (9.5 mm) chuck and pull the trigger for drilling/driving in two speed ranges: 0 to 500 RPM, and 0 to 1150 RPM. Twist the collar and you have an impact drill with an impact frequency of 6400 or 18000 strokes per minute.



CRL 3/8" Electric Drill

- 110V and 240V Models Available
- 4.2 AMP Motor
- Keyless Chuck
- 0 to 3000 RPM Variable Speed
- Reversible
- All Ball Bearing and Needle Bearing Construction for Long Life
- Convenient Molded Belt Clip



The CRL 3/8" (9.5 mm) Electric Drill has a powerful 4.2 AMP variable speed (0 to 3000 RPM) motor for greater speed control. Perfect for drilling wood, metal, or driving screws. This handy drill is lightweight and balanced for easy handling. The motor is reversible, and there is a large recessed "lock-on" button for continuous use. This drill motor has ball and needle bearing construction for long life and smooth operation.

CAT. NO.	DESCRIPTION
LD147	18 Volt Cordless Impact/Driver Kit
LD147B	18 Volt Battery Cartridge for LD147
LD147C	110 Volt Charger for LD147B 18 Volt Battery
LD147AU	18 Volt Cordless Impact/Driver Kit w/AU Plug
LD147C240V	240 Volt Charger for LD147B Battery w/AU Plug
LD147EU	18 Volt Cordless Impact/Driver Kit w/EU Plug
LD147C220V	220 Volt Charger for LD147B Battery w/EU Plug

CAT. NO.	DESCRIPTION
LD138	110 Volt 3/8" Electric Drill
LD138AU	240 Volt 3/8" Electric Drill

Minimum order: 1 each. Kit Includes: Driver/Drill, Battery, Charger, Six Drill Bits, Magnetic Bit Holder, plus Molded Carrying Case.

Minimum order: 1 each.

CRL 3.6V Cordless Screwdriver STYLE new

- Eight Auto-Stop Adjustable Torque Settings
- Comfortable Pistol Grip Handle
- 44-Piece Kit Includes Assorted Insert Bits, Screwgun Drivers, and Sockets



Powerful and compact, the CRL LD813 Cordless Screwdriver is designed to let you work productively and efficiently without fatigue. The long-lasting, 3.6 Volt battery powers through the toughest jobs with ease. Eight torque settings stop rotation at the precise force to prevent stripping screw heads with maximum torque at 2.5Nm. The Battery Charger and plastic Carrying Case are included.

CAT. NO.	DESCRIPTION
LD813	(New Style, Shown) 3.6V Screwdriver Kit Complete
LD813AU	(New Style, Shown) 3.6V Screwdriver Kit Complete w/AU Plug
LD813EU	(New Style, Shown) 3.6V Screwdriver Kit Complete w/EU Plug
LD813AC110	110-Volt (New Style) AC Adapter 3.6V
LD813AC240	240-Volt (New Style) AC Adapter 3.6V w/AU Plug
LD813AC220	220-Volt (New Style) AC Adapter 3.6V w/EU Plug
LD813B	Replacement Battery for Old Style LD813 (Not Shown)
LD813C	110-Volt Battery Charger for Old Style LD813 (Not Shown)
LD813C240V	240-Volt Battery Charger for Old Style LD813 (Not Shown)

CRL Variable Speed Rotary Tool Kit

- Variable Speed 8,000 to 18,000 RPM
- Includes 61-Piece Accessory Set



For versatility at a great price, you can't beat the CRL Variable Speed Rotary Tool Kit. The tool's comfortable grip and lightweight design make it easy to use in any position. Change accessories in just 20 seconds.

CAT. NO.	DESCRIPTION
LD111	110V Rotary Tool Kit
LD111AU	240V Rotary Tool Kit w/AU Plug
LD111EU	220V Rotary Tool Kit w/EU Plug

Minimum order: 1 each.

CRL GROO-V Tip® Granite, Marble, and Tile Drill Bits

- Very Popular Bits Especially Suited for Drilling Marble and Granite
- For Use With Rotary and Hammer Drills Only



Carbide GROO-V Tip®

These CRL GROO-V Tip® Granite, Marble, and Tile Drill Bits are especially suited for drilling small holes when used with percussion or rotary drill machines only. This straight shank Drill Bit is available in four sizes.

CAT. NO.	DIAMETER	LENGTH	SHANK
GRT18	1/8"	3" (76 mm)	7/64"
GRT316	3/16"	3" (76 mm)	11/64"
GRT14	1/4"	4" (102 mm)	15/64"
GRT38	3/8"	5" (127 mm)	11/32"

Minimum order: 1 each. All Masonry Drills can be combined for quantity pricing.

CRL Plastic Screw Anchors

- Available With and Without Lip
- Soft Plastic Ribbed Design Will Not Crack Tile or Marble



With Lip

Without Lip

CRL Plastic Screw Anchors are ideal for a secure installation of shower door hinges, clamps, and extrusions. Their multiple-ribbed construction ensures secure holding power in hard or soft materials, from concrete to plaster.

CAT. NO.	TYPE	SCREW SIZES	HOLE SIZE
P1339C	With Lip	#8, #10	1/4" (6.3 mm)
P1349C	Without Lip	#8, #10	1/4" (6.3 mm)

Minimum order is 100 each. Must be ordered in increments of 100.

CRL Hi-Red Plastic Screw Anchors

- Superior Design - Won't Slip or Turn in Drilled Hole
- Resist Moisture and Corrosion



CRL Hi-Red Plastic Screw Anchors hold screws in almost any drillable material. They are unaffected by moisture, so they resist corrosion, and will maintain their firm grip.

CAT. NO.	SCREW SIZES	HOLE SIZE	LENGTH
HR12X1	#8, #10, #12	1/4" (6 mm)	1" (25.4 mm)
HR12X112	#8, #10, #12	1/4" (6 mm)	1-1/2" (38.1 mm)
HR16X1	#12, #14, #16	5/16" (8 mm)	1" (25.4 mm)
HR16X112	#12, #14, #16	5/16" (8 mm)	1-1/2" (38.1 mm)

Minimum order is 100 each. Must be ordered in increments of 100.

CRL Toggler® SnapSku® Self-Drilling Drywall Anchors

- More Holding Power
- Works in 3/8", 1/2" or 5/8" (10, 13 or 16 mm) Thick Drywall and Ceilings
- Audible "Pop" Indicates Correct Install

CRL Toggler® SnapSku® Self-Drilling Anchors are designed to preserve drywall integrity at installation as well as when the item and screw are removed. These Anchors work with a range of screw sizes – MINI: #6 (recommended) to #8, and Regular: #6 to #10, #8 (recommended). Screws can be backed out and changed if needed without the Anchor coming out of the wall!

When activated with the minimum proper length screw: 1-1/4" (32 mm) for MINI and 1-1/2" (38 mm) for Regular, the Anchors open with an audible "pop", locking them in place in the wall or ceiling.

HOLDING VALUES (ULTIMATE LOADS) – TENSILE (PULLOUT)

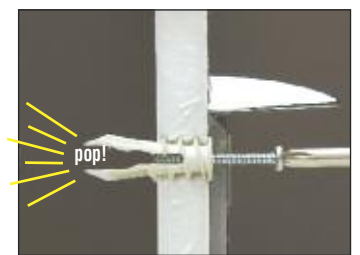
ANCHOR	WALLBOARD THICKNESS		
	3/8" (10 MM)	1/2" (13 MM)	5/8" (16 MM)
SnapSku® MINI	57 Lbs. (25.8 kg)	65 Lbs. (29.5 kg)	95 Lbs. (43 kg)
SnapSku® Regular	57 Lbs. (25.8 kg)	79 Lbs. (35.8 kg)	135 Lbs. (61.2 kg)

Holding values are per anchor with #6 x 1-1/4" screw for MINI and #8 x 1-1/2" screw for Regular. Industry standard safe holding = 1/4 of ultimate load.

GROO-V Tip is a registered trademark of Relton Corporation. Toggler and SnapSku are registered trademarks of Mechanical Plastics Corporation.



STEP 1: Place #2 Phillips driver or bit into recess of SnapSku®



STEP 2: Place fixture into position over SnapSku®, insert screw and tighten.



SnapSku® MINI



SnapSku® Regular

CAT. NO.	TYPE	SCREW SIZE
TA3003	SnapSku® MINI	#6 – 8
TA3003S	SnapSku® MINI with Screws	#6 x 1-1/4" Pan Head Phillips
TA3001	SnapSku® Regular	#6 – 10
TA3001S	SnapSku® Regular with Screws	#8 x 1-1/2" Pan Head Phillips

Minimum order is 100 each. Order in increments of 100. Sizes can be combined for quantity pricing.

CRL 3" x 21" Belt Sander With Dust Bag

- Double-Insulated and Sands Cleanly With Dust Collector
- Available in 110V, 240V, and 220V Models



This highly portable 3" x 21" (76 x 533 mm) CRL Belt Sander with Dust Bag is lightweight and easy to maneuver. Powerful 7.8 AMP motor for fast and even belt tracking, an efficient dust collector bag, a lock-on switch, and an extra long power cord.

CAT. NO.	DESCRIPTION
LD321	110V Portable Belt Sander with Dust Bag
LD321AU	240V Belt Sander with Dust Bag w/AU Plug
LD321EU	220V Belt Sander With Dust Bag w/EU Plug
LD321BRSH	Replacement Brushes for LD321 Belt Sander
LD321SW	Replacement Switch for LD321 Belt Sander

Minimum order: 1 each.

CRL 3" x 21" (76 x 533 mm) Glass Grinding Belts

- Fast Grinding, 100% Polyester Backed Belts in 12 Grits From 36X to Cork
- Ask About Our Large User Program



CAT. NO.	GRIT	QTY/BOX	CAT. NO.	GRIT	QTY/BOX
CRL3X2136X	36X	10	CRL3X21120X	120X	10
CRL3X2140X	40X	10	CRL3X21180X	180X	10
CRL3X2150X	50X	10	CRL3X21220X	220X	10
CRL3X2160X	60X	10	CRL3X21400X	400X	10
CRL3X2180X	80X	10	CRL3X21600X	600X	10
CRL3X21100X	100X	10	CRL3X21CORK	CORK	5

Minimum order: 1 box. All Glass Grinding Belts can be combined for quantity pricing. All Cork Belts can be combined for quantity pricing.

CRL 3" x 24" Belt Sander With Dust Bag

- Powerful 10 AMP Motor
- Professional Quality Power Tool
- Double Insulated



The CRL LD324 Portable Belt Sander powers our most common abrasive belt: 3" x 24" (76 x 610 mm). This heavy-duty 10 AMP power sander comes with a Dust Bag and is ruggedly built to provide years of service. Belt tensioning lever and belt centering adjustment screw are simple to use and easily accessible. Minimum order is one each.

CAT. NO. LD324

CRL 3" x 24" (76 x 610 mm) Glass Grinding Belts

- Fast Grinding, 100% Polyester Backed Belts in 14 Grits From 36X to Cork
- Ask About Our Large User Program



CAT. NO.	GRIT	QTY/BOX	CAT. NO.	GRIT	QTY/BOX
CRL3X2436X	36X	10	CRL3X24150X	150X	10
CRL3X2440X	40X	10	CRL3X24180X	180X	10
CRL3X2450X	50X	10	CRL3X24220X	220X	10
CRL3X2460X	60X	10	CRL3X24320X	320X	10
CRL3X2480X	80X	10	CRL3X24400X	400X	10
CRL3X24100X	100X	10	CRL3X24600X	600X	10
CRL3X24120X	120X	10	CRL3X24CORK	CORK	5

Minimum order: 1 box. All Glass Grinding Belts can be combined for quantity pricing. All Cork Belts can be combined for quantity pricing.

CRL 1-1/8" x 21" Belt Sander

- Extremely Popular Portable Sander for Sanding Notches and Cut-Outs
- Multi-Position Side Handle for Easy Maneuverability



The CRL 1-1/8" x 21" (29 x 533 mm) Belt Sander's design is compact and lightweight for close quarter work with excellent maneuverability, making it ideal for sanding irregular openings or shapes. 4.2 AMP motor provides excellent results at variable speeds.

CAT. NO.	DESCRIPTION
LD118	110V Portable Belt Sander
LD118AU	240V Belt Sander w/AU Plug
LD118EU	220V Belt Sander w/EU Plug
LD118BRSH	Replacement Brushes
LD118FR	Replacement Front Roller
LD118SW	Replacement Switch

Minimum order: 1 each.

CRL 1-1/8" x 21" (29 x 533 mm) Glass Grinding Belts

- Fast Grinding 100% Polyester Backed Belts in 12 Grits From 40X to Cork
- Ask About Our Large User Program



CAT. NO.	GRIT	QTY/BOX	CAT. NO.	GRIT	QTY/BOX
CRL118X2140X	40X	10	CRL118X21180X	180X	10
CRL118X2160X	60X	10	CRL118X21220X	220X	10
CRL118X2180X	80X	10	CRL118X21320X	320X	10
CRL118X21100X	100X	10	CRL118X21400X	400X	10
CRL118X21120X	120X	10	CRL118X21600X	600X	10
CRL118X21150X	150X	10	CRL118X21CORK	CORK	5

Minimum order: 1 box. All Glass Grinding Belts can be combined for quantity pricing. All Cork Belts can be combined for quantity pricing.

CRL Makita® 3/8" x 21" Belt Sander

- Great for Small, Confined Areas
- Adjustable Sanding Arm
- Electronic Speed Control



The CRL Makita® 3/8" x 21" (9.5 x 533 mm) Belt Sander makes polishing notches and corners a breeze. Tight spaces no longer limit your ability to produce a quality edge. The sanding arm pivots a full 100 degrees for ease of operation, while providing balance and high performance at any position. The electronically controlled 115V AC motor provides sanding speeds from 980 to 5,600 feet (298 to 1707 m) per minute for precision sanding and polishing in any position, and on any material thickness. There is also an easy quick-release lever for changing the abrasive belts. A belt-tracking knob is conveniently located for fine adjustment of the belt, and no tools are needed for any of the adjustments. Minimum order is one each.

CAT. NO. 9032

Makita is a registered trademark of Makita Corporation.

CRL 3/8" x 21" (9.5 x 533 mm) Glass Grinding Belts

- Designed for Use With the CRL 9032 Sander
- Grinding and Polishing Notches and Cut-Outs is Easier Than Ever



CAT. NO.	GRIT	QTY/BOX
CRL38X2160X	60X	20
CRL38X2180X	80X	20
CRL38X21120X	120X	20
CRL38X21220X	220X	20
CRL38X21400X	400X	20
CRL38X21CORK	CORK	5

Minimum order: 1 box. All Grits sold 20 per box except Cork, which are sold 5 per box. All Glass Grinding Belts can be combined for quantity pricing. All Cork Belts can be combined for quantity pricing.

CRL 1/2" x 18" Detail Belt Sander

new

- Ideal for Intricate Finishing Work
- Includes Three Separate Belt Guide Arms
- Variable Speed



Belt Guide Arms



The CRL Detail Belt Sander is the ideal tool for getting into small or intricate areas for finishing detail work. Using 1/2" x 18" (13 x 457 mm) silicon carbide abrasive belts (sold separately), finishing the inside edges of circles or notches becomes simple and easy. The added bonus of this unique tool is the inclusion of two additional belt guide arms: One angled tip arm for the 1/2" x 18" belts that guides belts with a 45 degree sanding surface, and a mini belt guide arm that uses 5/16" x 18" (8 x 457 mm) abrasive belts for really intricate sanding jobs. All three arms are included with the sander in a black plastic storage and carrying case. Go to crlaurence.com for specifications.

CAT. NO.	DESCRIPTION
LD1218	110V Detail Belt Sander
LD1218AU	240V Detail Belt Sander w/AU Plug
LD1218EU	220V Detail Belt Sander w/EU Plug

Minimum order: 1 each.

CRL 18" (457 mm) Glass Grinding Belts

new

- For Use With CRL Model LD1218 Detail Sander
- Available in Two Widths 5/16" and 1/2" (8 and 13 mm)



CRL Glass Grinding Belts for portable belt sanders have 100 percent polyester backing, so you can use them wet or dry. They are available in grits from 80X (Coarse) to 400X (Fine) to fit most portable belt sanders.

1/2" X 18" (13 X 457 MM) BELTS

CAT. NO.	GRIT	QTY/BOX
CRL12X1880X	80X	10
CRL12X18120X	120X	10
CRL12X18220X	220X	10
CRL12X18400X	400X	10

Minimum order: 1 box. All Glass Grinding Belts can be combined for quantity pricing.

5/16" X 18" (8 X 457 MM) BELTS

CAT. NO.	GRIT	QTY/BOX
CRL516X1880X	80X	10
CRL516X18120X	120X	10
CRL516X18220X	220X	10
CRL516X18400X	400X	10

Minimum order: 1 box. All Glass Grinding Belts can be combined for quantity pricing.

CRL Multi-Function Tool

- Multiple Use Tool With Variable Speed Oscillating Head
- Perfect for Hack-Outs, Glass Sanding, Edging, Sealant Cut-Outs, and More
- Double Insulated and UL Approved

The CRL MFT1 Multi-Function Tool is perfect for sealant removal and hack-out projects. Cuts insulating glass units apart with ease and even removes hardened glazing putty. The variable speed head oscillates at 11,000 to 22,000 oscillations per minute. Blades can be locked down at any angle to help with access to tight locations and to promote comfort during use. Switch to the hook-loop sanding backer pad and the MFT1 becomes a very effective glass edge seaming tool. The Kit comes complete with the double insulated Multi-Function Tool, a plastic storage case, five assorted blades, a triangle backer pad, and a blade wrench. **NOTE:** Grinding Triangles are sold separately.

CAT. NO.	DESCRIPTION
MFT1	110V Multi Function Tool
MFT1AU	240V Multi Function Tool w/AU Plug
MFT1EU	220V Multi Function Tool w/EU Plug
MFTFSB	Flexible Scraper Blade
MFTHCB	1" (25 mm) Hi-Carbon Steel Saw Blade
MFTHSB	3-1/8" (79 mm) Segmented Saw Blade
MFTRCB	Carbide Coated Recess Saw Blade
MFTSDB	Straight Saw Blade
MFTTSD	Triangle Backer Pad
MFT180X	80X Glass Grinding Triangles 50/BX
MFT1120X	120X Glass Grinding Triangles 50/BX
MFT1220X	220X Glass Grinding Triangles 50/BX

Minimum order: 1 each for tool and accessories; 50 each for grinding triangles.



Grinding Triangles



MFTFSB
Flexible Scraper
Blade



MFTHCB
1" (25 mm)
Hi-Carbon Steel
Saw Blade



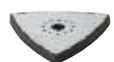
MFTHSB
3-1/8" (79 mm)
Segmented Saw
Blade



MFTRCB
Carbide Coated
Recess Saw Blade



MFTSDB
Straight Saw
Blade



MFTTSD
Triangle Backer
Pad



new

CRL 5" Disc Sander-Polisher



- Lightweight for Easy Operation
- Powerful Motor Provides 5,000 RPM



This CRL 5" (127 mm) Disc Sander-Polisher is a compact, lightweight tool for sanding and polishing. It has a powerful, double-insulated 3.5 AMP motor that delivers 5,000 RPM for fast and efficient sanding. Weighs only 2.6 lbs. (1.2 kg) for easy handling, with a motor-over-the-pad design for better balance and control. Ball-and-needle bearing is sealed against dust, as is the switch, to help extend the life of the tool. Includes: Abrasive Disc, Plastic Pad, and Side Handle.

CAT. NO.	DESCRIPTION
LD903	5" (127 mm) Disc Sander – 120 Volts
LD903AU	5" (127 mm) Disc Sander – 240 Volts

Minimum order: 1 each.

CRL Makita® 7" Disc Sander-Polisher



- Highest Power-to-Weight Ratio
- Quick-Flip™ Speed Change
- Two Speed Selections: Low (600 RPM) and Variable (600 to 2,000 RPM)



This CRL Makita® 7" (178 mm) Disc Sander-Polisher is a compact, lightweight tool for sanding and polishing. It has a powerful, double insulated 7.9 AMP burnout protected motor with a maximum speed of 2,000 RPM. A Quick-Flip™ Speed Change Button lets you choose two speed settings: Low (600 RPM) and Variable (600 to 2,000 RPM). The ball-and-needle bearings and the switch are sealed to protect against dust. Minimum order is one each. **NOTE:** To use with Stick-On Sanding Discs see Cat. No. PAD7 Backup Pad below.

CAT. NO. PV7001C

CRL Stick-On Sanding Discs

- 100% Polyester Backing With Pressure Sensitive Adhesive
- Peel and Stick Application Saves Time
- Three Popular Sizes: 5", 6", 7"



No hole in center.
50 of one size and grit per box.

5" (127 mm) SIZE		6" (152 mm) SIZE		7" (178 mm) SIZE	
CAT. NO.	GRIT	CAT. NO.	GRIT	CAT. NO.	GRIT
PSA560	60X	PSA660	60X	PSA760	60X
PSA580	80X	PSA680	80X	PSA780	80X
PSA5120	120X	PSA6120	120X	PSA7120	120X
PSA5220	220X	PSA6220	220X	PSA7220	220X
PSA5400	400X	PSA6400	400X	PSA7400	400X

Minimum order: 50 each (1 box). All sizes and grits can be combined for quantity pricing.

CRL Sanding Discs

- Fast Grinding 100% Polyester Backed Discs
- Bolt-On Type With Hole in Center Fits Most Disc Sanders
- Three Popular Sizes: 5", 6", 7"



Hole size is 7/8" (22 mm).
50 of one size and grit per box.

5" (127 mm) SIZE		6" (152 mm) SIZE		7" (178 mm) SIZE	
CAT. NO.	GRIT	CAT. NO.	GRIT	CAT. NO.	GRIT
5X7860CB	60X	6X7860CB	60X	7X7860CB	60X
5X7880CB	80X	6X7880CB	80X	7X7880CB	80X
5X78120CB	120X	6X78120CB	120X	7X78120CB	120X
5X78220CB	220X	6X78220CB	220X	7X78220CB	220X
5X78400CB	400X	6X78400CB	400X	7X78400CB	400X

Minimum order: 50 each (1 box). All sizes and grits can be combined for quantity pricing.

CRL Backup Pads

- Holds "PSA" Stick-On Sanding Discs



CRL PAD5 and PAD6 Backup Pads can be used with Cat. No. GV5000 Sander-Polisher or units accepting a 3/8" long, 5/16"-18 male stud. The PAD7 is compatible with our Cat. No. PV7001C Sander. It can also be used with the CRL Cat. No. 5704 Shank Adapter in any 1/4" or 3/8" electric drill.

CAT. NO.	SIZE	MOUNTING TYPE
PAD5	5" (127 mm)	3/8" (9.5 mm) Long, 5/16"-18 Male Stud
PAD6	6" (152 mm)	3/8" (9.5 mm) Long, 5/16"-18 Male Stud
PAD7	7" (178 mm)	5/8"-11 Thread Adapter
5704	---	5/8"-11 to 1/4" Diameter Shank Adapter

Minimum order: 1 each.

Makita is a registered trademark of Makita Corporation.

CRL 2200RP 4" x 106" (102 x 2690 mm) Wet Abrasive Belt Sander



- Uses Industry Standard 4" x 106" (102 x 2690 mm) Abrasive Belts
- Rugged Construction and Powerful 1 H.P. Direct Drive Motor
- Thick-Walled, Rust-Proof, High-Density Polyethylene Tank Extends Machine Life

- Durable Urethane Roller Platen and Front Rest Guide Bar
- Fast Abrasive Belt Changing Mechanism



Combine the rugged construction and innovative design of the Somaca 106" (2690 mm) Belt Machine and the streamlined CRL 2200 Belt Sander and you have the CRL 2200RP 4" x 106" (102 x 2690 mm) Wet Abrasive Belt Sander. More affordable and packed with solid engineering, the 2200RP Wet Belt Sander is ideal for use by glass fabricators and processors, and it's still designed to use industry standard 4" x 106" (102 x 2690 mm) belts.

North American models include a direct drive, one H.P., 60 cycle, 1725 RPM, 110 Volt AC Motor and a 5" (127 mm) diameter Drive Pulley. Sander can be wired for 220 volts at an additional cost. An Electric Water Valve keeps the belts wet during sanding, and the Water Delivery System is designed for use with a standard city water supply. This machine now features a rustproof HDPE (High Density Polyethylene) Water Tank that won't chip or dent, and comes with a urethane covered Roller Platen and a Front Rest Guide Bar as standard equipment.

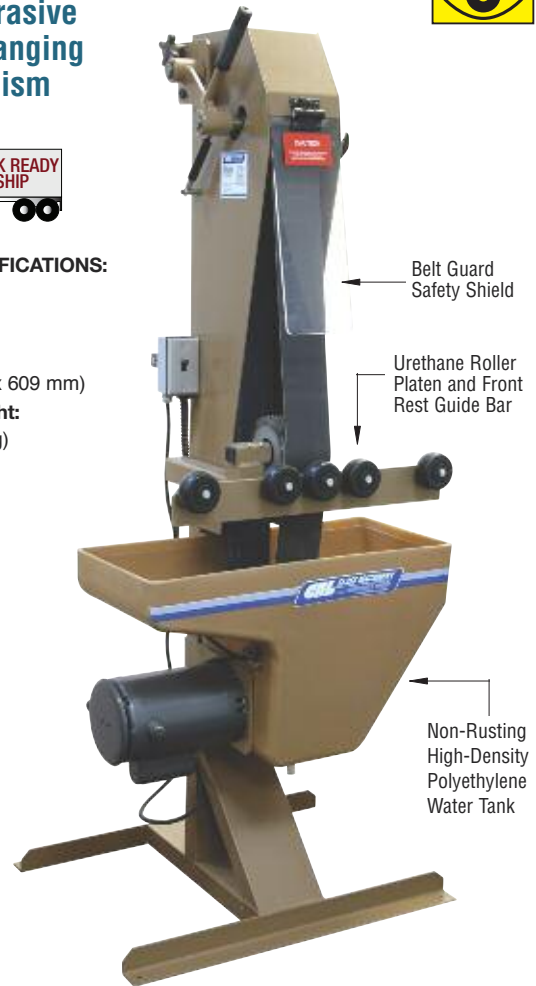
IMPORTANT NOTES:

Always wear the proper safety gear when using any type of power tool. Cat. No. GF1 Ground Fault Circuit Interrupt Device (see page 535J) should be used with any type of wet-working electric tool. Replacement parts can be found on page 546J or at crlaurence.com.



2200RP SPECIFICATIONS:

Height:
72" (1829 mm)
Footprint:
30" x 24" (762 x 609 mm)
Shipping Weight:
265 lbs. (120 kg)



CAT. NO.	DESCRIPTION
2200RP	Belt Sander With Roller Platen and Guide Bar - 110V AC
AU22	Belt Sander With Roller Platen and Guide Bar - 220V AC/50 Hz - Australia
3300RP	CE Compliant Model - 240V AC/50 Hz - Europe

Minimum order: 1 each. All Abrasive Belt Machines for export can be built to operate on Three Phase, 50/60 Hz power. Contact the Machinery Division with your power requirements.

CRL 4" x 106" (102 x 2690 mm) Wet Abrasive Glass Grinding Belts

- Fast-Grinding 100% Polyester Backed Belts in 14 Grits From 36X to CORK
- Ask About Our Large User Program

CRL Wet Abrasive Glass Grinding Belts have 100 percent polyester backing, so you can use them wet or dry. They are available in grits from 36X (Super Coarse) to CORK (Polishing) to fit most upright belt sanders.



MOST POPULAR GRITS FOR GLASS, AND EXAMPLES OF THEIR USE:

- 60X** – Extra-Rough, Fast Glass Removal (Mitered Edge)
- 80X** – Rough, Quick-Contouring (Auto Glass Edge)
- 120X** – Smooth, Seaming and Polishing (Desk Top Edge)
- 220X** – Extra-Smooth, Fine Frosted Finish (Glass Shelf Edge)
- 400X** – Fine, Satin Finish (Opaque Edge)
- CORK** – Polish, Smooth Luster Finish

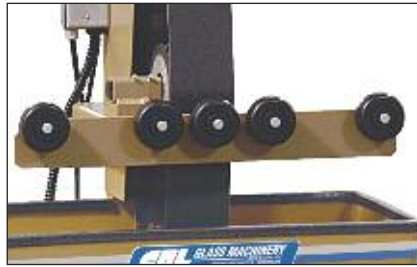
CAT. NO.	GRIT	QTY/BOX	CAT. NO.	GRIT	QTY/BOX
CRL4X10636X	36X	5	CRL4X106150X	150X	5
CRL4X10640X	40X	5	CRL4X106180X	180X	5
CRL4X10650X	50X	5	CRL4X106220X	220X	5
CRL4X10660X	60X	5	CRL4X106320X	320X	5
CRL4X10680X	80X	5	CRL4X106400X	400X	5
CRL4X106100X	100X	5	CRL4X106600X	600X	5
CRL4X106120X	120X	5	CRL4X106CORK	CORK	2

Minimum order: 1 Box. All Glass Grinding Belts can be combined for quantity pricing. All Cork Belts can be combined for quantity pricing.

CRL 2200RP 4" x 106" Upright Wet Abrasive Belt Sander



Belt Guard Safety Shield



Urethane Covered Roller Platen and a Front Rest Guide Bar



Non-Rusting High Density Polyethylene Water Tank

Our CRL 2200SS Belt Guard Safety Shield helps protect the operator in the event of accidental belt breakage. To solve the problem of water tank spray corrosion, we've replaced the steel tank with a Non-Rusting HDPE (High Density Polyethylene) Water Tank. Securely fastened with six mounting bolts, the tank is trimmed with rugged U-Channel and it's color is molded in so it won't scratch. The new Belt Tensioner uses an air cylinder to keep the belt at the correct tension. No more tension adjustments. The belt is kept wet by using a water solenoid that activates when the power is switched on. When you shut off the machine, the water stops flowing automatically. Upper Pulley and Roller Platen can be replaced as assemblies with bearings and shafts. This makes replacement of components fast and easy, needing no special tools.

When you consider all of these features, it's easy to see why glass shops of all sizes have made the 2200RP the glass industry's most popular Upright Belt Sander. For additional information, or machine specifications, contact CRL Customer Service Department at (800) 421-6144 in the U.S., (877) 421-6144 from Canada, or (323) 588-1281 International, and ask for Ext. 5275. You can also e-mail us through our web site, crlaurence.com. From the home page click on Contact Us, and then click on Customer Service.



Easy-to-Use Belt Tensioner



Automatic Water Solenoid Valve



CAT. NO. BP2001

CAT. NO. FP2002

Optional Bar and Flat Platens fit in place of Standard Roller Platen



CAT. NO. 3MP2200

Optional 3M® Flat Platen bolts on in place of the Roller Platen



CAT. NO. 2200110VMTR

Strong, Reliable 1 HP Motor with Grease Fittings

CRL Universal "One-Man" Movable Glass Table

• Fits Upright Belt Sanders of Any Make



Legs Adjust to Fit Any Belt Machine



One person can sand large pieces of glass without having to support the weight of the glass by using this CRL Universal "One-Man" Movable Glass Table. It rolls on a support rail in front of the sander, so the operator controls the amount of pressure the glass applies to the belt. The table top is carpeted, and has four pop-up ball casters, allowing easy glass rotation. All sides can then be sanded without having to lift the glass. The legs are adjustable to allow use with any upright belt sander. Table Guide Rail is 156" (3962 mm) long; Table Top is 36" x 60" (914 x 1524 mm). F.O.B. Cicero, Illinois. Minimum order is one each.

Table Shown in Front of 2200RP Sander (each sold separately)

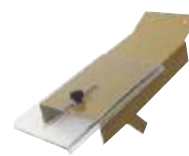
3M is a registered trademark of 3M Company Corporation.

CAT. NO. 3LTRT

CRL Belt Guard Safety Shields

• OSHA Recommended Form of Protection

The CRL Belt Guard Safety Shields for the 2200 and 3300 Series Upright Belt Sanders protect your face and eyes from flying debris, giving you an added degree of safety. The 2200SS is standard equipment on 2200 and older 2200RP Sanders. It can also be retro-fitted on 2200 and 2200RP Sanders that did not come with a safety shield. The 3300SS is standard on newer 2200RP, 3300RP, and BM132RP models. For safety, this is an attachment no shop should be without. Minimum order is one each.



CAT. NO. 2200SS



CAT. NO. 3300SS



CRL 2200RP, AU22, and 3300RP Wet Abrasive Belt Sanders

The Glass Machinery Division of C.R. Laurence can provide replacement parts for all the machines we build. The parts listed below are the most common replacements for Cat. No. 2200RP, AU22, and 3300RP Wet Abrasive Belt Sanders built from November 2009 to current. For older machines, visit crlaurence.com.

SPECIFICATIONS:

Current Model 2200RP/AU22/3300RP Belt Size 4" x 106" (102 x 2690 mm)
 Years Built November 2009 to Current Water Tank HDPE
 Color Tan

Call our Machinery Division at (866) 583-1377 for help with ordering parts for any CRL machine

1 HP 110V and 220V AC Motors

12.4 AMP, 1725 RPM, Single Phase/60 Hz, 110V AC, or 50 Hz, 220V AC.

CAT. NO.	DESCRIPTION
2200110VMTR	110V AC, 60 Hz
2200220VMTR	220V AC, 50 Hz

Minimum order: 1 each.



Roller Platen Assembly

Roller Platen Assembly with Shaft and Bearings. Ready to install.

CAT. NO.	DESCRIPTION
CRP2000	Roller Platen Assembly

Minimum order: 1 each.



5" (127 mm) Lower Belt Pulley

5" (127 mm) Lower Sanding Belt Pulley. Also fits BM64B, AUBM64B, and 2622000 Belt Sanders.

CAT. NO.	DESCRIPTION
2622028	Lower Belt Pulley

Minimum order: 1 each.



5" (127 mm) Upper Belt Pulley

5" (127 mm) Upper Pulley Assembly (Pulley, Shaft, and Bearings). Avoid having to press bearings. Install this Assembly.

CAT. NO.	DESCRIPTION
330011	Upper Belt Pulley

Minimum order: 1 each.



Belt Tensioner Assembly

This part comes assembled and ready for installation. Check the mounting parts and order Cat. No. 330014 Kit if the Spring Washers are flattened or weak.

CAT. NO.	DESCRIPTION
330013	Belt Tensioner Assembly

Minimum order: 1 each.



Belt Tensioner Mounting Kit

Kit includes the Spring Washers and parts to keep the Tensioner working perfectly.

CAT. NO.	DESCRIPTION
330014	Belt Tensioner Mounting Kit

Minimum order: 1 each.



Belt Tensioner Gas Cylinder

Replace this to maintain belt tension. Includes two swivel eye mount fittings.

CAT. NO.	DESCRIPTION
330012	Belt Tensioner Gas Cylinder

Minimum order: 1 each.



Guide Roller Set With Bolts

Replace these if the old ones are sticking or corroded. Includes five Rollers with Sleeves, Nuts, and Bolts.

CAT. NO.	DESCRIPTION
2200762	Guide Roller Set

Minimum order: 1 each.



Water Solenoid

Valve allows water to flow when machine is running. Works with 110V AC or 220V AC.

CAT. NO.	DESCRIPTION
41900630	Water Solenoid

Minimum order: 1 each.



Water Spray Nozzle

Easier to change this Nozzle rather than try and clean out a damaged or corroded one.

CAT. NO.	DESCRIPTION
42201953	Water Spray Nozzle

Minimum order: 1 each.



CRL BM132RP 4" x 132" (102 x 3353 mm) Upright Wet Abrasive Belt Sander

- Built-In 24" (610 mm) Roller Platen
- Heavy-Gauge Steel Welded Frame

Our heavy-duty 4" x 132" (102 x 3353 mm) Upright Wet Abrasive Belt Sander is designed for continuous grinding, smoothing, and polishing of glass edges. It is similar in design to the 106" Model, but has larger diameter pulleys, and is twice the weight because of its heavy, reinforced construction.

You will be pleased with the superior performance of our 4" x 132" (102 x 3353 mm) Upright Wet Belt Sander, and the years of dependable service it will give you.

CAUTION: When grinding, always wear protective safety glasses and an approved glass dust respirator. One of each is provided with the machine.

ABRASIVE BELTS

These machines use standard 4" x 132" (102 x 3353 mm) abrasive belts. One 120 grit belt, one pair of safety glasses, and one approved respirator are furnished with each machine. A safety shield is mounted to the hood.

MOTOR AND STARTER

A 1 HP, 3450 RPM motor, with V-Belt drive, provides all the power for normal usage. The motor is three phase, 60 Hz, 220 or 440 Volts. It is wired to a manual push button starter. Please specify power requirements.

PULLEYS

Both pulleys are 8" (203 mm) diameter, and made of machined and balanced cast iron.

BELT TENSION DEVICE

Eccentric type with locking handle and control knob for tracking the belt.

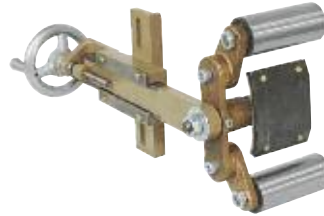
BEARINGS

Standard ball bearings are used throughout the drive system.

COOLANT SYSTEM

A water supply line with an electrical solenoid control valve and a low water consumption spray nozzle (3.5 gph @ 30 psi) are included for wet grinding.

- Conveniently Converted From 220 to 440 Volts
- Available for Purchase or Lease



CAT. NO. 2621320
Optional Double Roller Platen

CAT. NO. BM132RP
4" x 132" (102 x 3353 mm)
Upright Wet Abrasive Belt Sander



CAT. NO. 3LTRT
Optional Universal Rolling Table for consistent edging of large or heavy glass lites. Height adjusts to any belt machine. Four swivel casters built into the table top raise the glass for ease of turning working edge. See page 545J.



24" (610 mm)
Glass Rest and
Roller Platen

CRL 4" x 132" (102 x 3353 mm) Wet Abrasive Glass Grinding Belts

- Fast-Grinding 100% Polyester Backed Belts in Six Grits From 60X to CORK
- Ask About Our Large User Program

CRL Wet Abrasive Glass Grinding Belts have 100 percent polyester backing, so you can use them wet or dry. They are available in grits from 60X (Extra-Rough) to CORK (Polishing) to fit most belt sanders.

MOST POPULAR GRITS FOR GLASS, AND EXAMPLES OF THEIR USE:

- 60X** – Extra-Rough, Fast Glass Removal (Mitered Edge)
- 80X** – Rough, Quick-Contouring (Auto Glass Edge)
- 120X** – Smooth, Seaming and Polishing (Desk Top Edge)
- 220X** – Extra-Smooth, Fine Frosted Finish (Glass Shelf Edge)
- 400X** – Fine, Satin Finish (Opaque Edge)
- CORK** – Polish, Smooth Luster Finish



CAT. NO.	GRIT	QTY/BOX
CRL4X13260X	60X	5
CRL4X13280X	80X	5
CRL4X132120X	120X	5
CRL4X132220X	220X	5
CRL4X132400X	400X	5
CRL4X132CORK	CORK	2

Minimum order: 1 Box. All Glass Grinding Belts can be combined for quantity pricing. All Cork Belts can be combined for quantity pricing.

CRL 4" x 64" (102 x 1626 mm) Bench Model Wet Abrasive Belt Sander

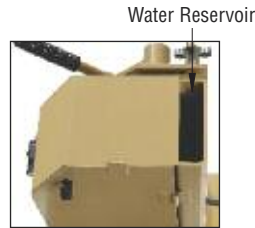


- Extremely Mobile Unit is Ideal for Work Bench or Truck Bed
- Heavy-Duty, 1 HP, Single-Phase, 110V, 220V, and 240V Models
- Self-Contained Water Tank – No Water Hook-Up Needed

This CRL Bench Model Belt Sander uses all standard 4" x 64" (102 x 1626 mm) Wet or Dry Abrasive Belts, and is specially designed for use in the shop or on the job site. It's perfect for bench work where there is only a limited need for edge-work capacity. This Sander can also be mounted right onto a glass truck for rough grinding, smoothing, and polishing the edges of glass on a job site. Water for wet grinding sprays on the back of the belt from a built-in spray nozzle connected to a built-in water tank. Just pour water in the reservoir and you can wet grind anywhere.

SPECIFICATIONS:

- Height:** 37-1/2" (952 mm)
Width (including motor): 24" (610 mm)
Footprint: 19" x 16" (483 x 406 mm)
Shipping Weight: 150 Lbs. (68 kg)



IMPORTANT NOTES:

Always wear the proper safety gear when using any type of power tool. A Cat. No. GF1 Ground Fault Circuit Interrupt Device (see page 535J) should be used with any type of wet-working electric tool. Replacement parts can be found at crlaurence.com.

Controls

All controls are built to OSHA requirements, utilizing CE, CSA and UL Certified components.

Belts

Wet or Dry 4" x 64" (102 x 1626 mm) belt, various grits

Utilities – Standard

Electrical One Motor, Total 1 HP
 Voltage Single Phase, 60 Cycle
 Power 15 AMP Service @ 110V AC, 240V AC, or 220V AC



EUBM64B Model

BM64B Model



CAT. NO.	DESCRIPTION
BM64B	Bench Model Belt Sander – 110V AC/60 Hz
AUBM64B	Bench Model Belt Sander – 240V AC/50 Hz – Australia
EUBM64B	Bench Model Belt Sander – 220V AC/50 Hz – Europe

Minimum order: 1 each.

CRL 4" x 64" (102 x 1626 mm) Wet Abrasive Glass Grinding Belts

- Fast-Grinding 100% Polyester Backed Belts in Seven Grits From 40X to CORK
- Ask About Our Large User Program

CRL Wet Abrasive Glass Grinding Belts have 100 percent polyester backing, so you can use them wet or dry. They are available in grits from 40X (Super Coarse) to CORK (Polishing) to fit most upright belt sanders.



MOST POPULAR GRITS FOR GLASS, AND EXAMPLES OF THEIR USE:

- 60X** – Extra-Rough, Fast Glass Removal (Mitered Edge)
80X – Rough, Quick-Contouring (Auto Glass Edge)
120X – Smooth, Seaming and Polishing (Desk Top Edge)
220X – Extra-Smooth, Fine Frosted Finish (Glass Shelf Edge)
400X – Fine, Satin Finish (Opaque Edge)
CORK – Polish, Smooth Luster Finish

CAT. NO.	GRIT	QTY/BOX
CRL4X6440X	40X	5
CRL4X6460X	60X	5
CRL4X6480X	80X	5
CRL4X64120X	120X	5
CRL4X64220X	220X	5
CRL4X64400X	400X	5
CRL4X64CORK	CORK	2

Minimum order: 1 Box. All Glass Grinding Belts can be combined for quantity pricing. All Cork Belts can be combined for quantity pricing.

CRL Single Spindle Automatic Glass Edger



• Available for Purchase or Lease

- Up to Six Times Faster Than a Belt Machine
- The Easiest Glass Edger to Set Up and Run
- Produces Flat Edges With Seams, Pencil Edges (Round), and Miter Edges on Glass From 1/8" to 1/2" (3 to 12 mm) Thick
- Edges Glass Up to 66" (1676 mm) Per Minute
- Recirculating Coolant Eliminates Dust



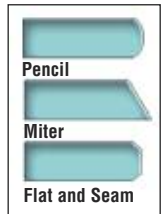
CAT. NO. VE1P

One Diamond Wheel on the Single Spindle Edger Will Do the Work of Over 500 106" (2690 mm) Abrasive Belts

Our Single Spindle Automatic Glass Edger is designed and built to provide a simple, reliable method for edging and polishing a variety of thicknesses of glass and mirror for any size shop. This Edger will allow you to do quality edgework up to six times faster than a belt machine. Pencil edge, miter, and flat and seam edgework can all be performed on the machine.

Operation is very simple. The operator merely pushes the glass into the roller/belt conveyor and it is smoothly pulled over the wheel. You can process glass from 1/8" to 1/4" (3 to 6 mm) thick with the wheels included or process thicker glass by ordering optional wheels from the chart below.

The VE1P is the ideal choice for an affordable Glass Edging Machine. Ask us about our Leasing Program. If you would like to see a sample of glass edged by the machine, or need additional information, please contact CRL Glass Machinery Division Sales at (866) 583-1377 in the U.S. and Canada.



CAT. NO.	DESCRIPTION	DIAMETER	GRIT
VE1P	Single Spindle Edger (Single Phase/110V AC)	--	--
AU11	Single Spindle Edger (Single Phase/220V AC Australia)	--	--
EU11	Single Spindle Edger (Single Phase/220V AC Europe)	--	--
36443213	Pencil Edge Wheel for 1/8" to 1/4" (3 to 6 mm)	7" (178 mm)	140-170
36881012	Pencil Edge Wheel for 3/16" to 3/8" (5 to 10 mm)	7" (178 mm)	140-170
38404909	Pencil Edge Wheel for 1/4" to 1/2" (6 to 12 mm)	7" (178 mm)	140-170
38533510	Flat and Seam Wheel for 1/8" to 1/4" (3 to 6 mm)	7" (178 mm)	140-170
38386909	Flat and Seam Wheel for 3/16" to 3/8" (5 to 12 mm)	7" (178 mm)	140-170
38517503	Flat and Seam Wheel for 1/4" to 1/2" (6 to 12 mm)	7" (178 mm)	140-170
38677802	30 Degree Miter Wheel for 1/8" to 1/2" (3 to 12 mm)	7" (178 mm)	140
39666000	Polish Wheel for 1/8" to 1/2" (3 to 12 mm) Glass	7-1/4" (184 mm)	120
38430304	Grind Wheel Hub	--	--

Minimum order: 1 each. F.O.B. CRL service center. Edgers must ship common carrier.



CRL AU11/EU11 220V AC, 50/60 Hz Export Models



Cat. Nos. AU11/EU11 are export versions of the Single Spindle Edger configured with 220V AC motors at 50/60 Hz. The EU11 is CE compliant for all of the European Union.

SPECIFICATIONS:

- Height: 81" (2057 mm)
- Footprint: 122" x 27-1/2" (3100 x 700 mm)
- Shipping Weight: 900 lbs. (408 kg)
- Conveyor Height: 28-1/2" (724 mm)



CRL Glass Scratch Removal System

- **Portable, Stand-Alone System Works On All Types of Glass**
- **One Step Process Produces Distortion-Free Results**
- **Integrated Water Feed System**
- **Non-Abrasive Compound**

The CRL Glass Scratch Removal System removes scratches from all types of glass including tempered, annealed, laminated, low-e, mirrors, and even curved glass. You can use this portable system to remove scratches, water scale, acid etching, paint over-spray, and other imperfections quickly and effectively.

This unique system combines thermal energy (heat), chemical reaction (polishing compound), and mechanical energy (force) to effectively eliminate scratches from glass without the use of fixed abrasives.

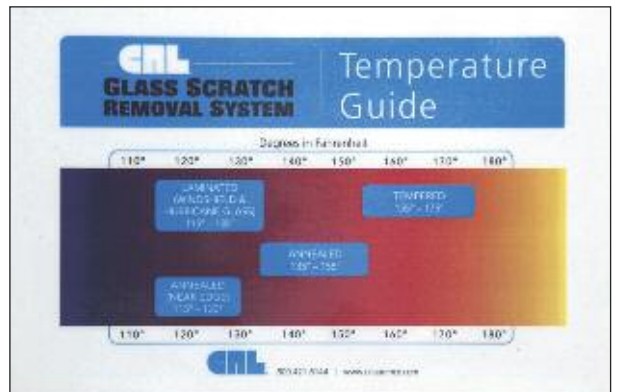
The CRL Glass Scratch Removal System can be integrated into your everyday operations. Whether you are a door and window manufacturer, a distributor, or an independent glass shop, the CRL Glass Scratch Removal System can save you money, directly impacting your bottom line. These potential savings come from reduced down time for glass replacement thus keeping projects on schedule, and by reducing glass waste and scrap ratios.

Compare the CRL Glass Scratch Removal System to some of the other scratch removal systems you may have seen or tried in the past. This system is lightweight and compact: no buckets of coolant and compound to lug around. This system employs a one step process: multiple abrasive and polishing pad changes are no longer required. This system delivers what others only promise: distortion-free surface restoration.

The CRL Glass Scratch Removal System features a unique pressurized water feed attachment with a push button activated nozzle mounted directly onto the polisher. This attachment can be secured directly to the work surface with built-in suction cups, or worn conveniently on your belt using the integral belt clip.

The 2", 3" and 4" (51, 76, and 102 mm) Polishing Pads attach to the appropriate Backer Pads using an aggressive hook-and-loop fastener system.

The complete SRS1 Glass Scratch Removal Kit includes: a 4500 RPM polisher, a .250 kg (.55 lbs.) jar of polishing compound, one 2" (51 mm) Backer Pad, one package of 2" (51 mm) Polishing Disks, one 3" (76 mm) Backer Pad, one package of 3" (76 mm) Polishing Disks, one Pressurized Water Feed Attachment, one Inspection Light/IR Thermometer, Safety Glasses, two Respirator Masks, one Mixing Container, one Spatula, one Wrench, one Manual Spray Bottle, Ear Plugs, one Cleaning Brush, one detailed Training and Use Manual, and one foam padded lockable Carrying Case.



CAT. NO.	DESCRIPTION
SRS1	Complete Scratch Removal Kit, 110 volt
SRS1PC	Polishing Compound, .250 kg (0.55 lbs.) 2 jars/pkg.
SRSVPD2	2" (51 mm) Hook-and-Loop Back Polishing Disks, 3/pkg.
SRSVPD3	3" (76 mm) Hook-and-Loop Back Polishing Disks, 3/pkg.
SRSVPD4	4" (102 mm) Hook-and-Loop Back Polishing Disks, 3/pkg.
SRSVPB2	2" (51 mm) Hook-and-Loop Backer Pad
SRSVPB3	3" (76 mm) Hook-and-Loop Backer Pad
SRSVPB4	4" (102 mm) Hook-and-Loop Backer Pad

Minimum order: 1 each.

CRL Scratch-A-Way® Scratch Removal System

- Clean Working System for Light Scratches or Scuff Marks
- Flexible Rubber Shroud Keeps Slurry Contained – No Overspray!

Auto Glass Applications

- Wholesalers – Remove Light Scratches Quickly
- Technicians – Provides Clean Removal of Light Scratches, Wiper Blade Marks, Stains, and Acid Spots, Etc.

Flat Glass Applications

- Remove Light Scratches Quickly
- Polish Fabricated Bevelled Mirror Corners and Areas Needing Blending
- Insulating Glass – Fix In-Shop or On-Site Scratches

Two Types of Scratches...



LIGHT SURFACE or SCUFF MARK SCRATCH – Over 95% of all scratches are light scratches or scuff marks. This magnified image above shows a light scratch. This scratch can be removed.



HEAVY/DEEP SCRATCH – Above is a magnified image of a heavy/deep scratch. It cannot be removed with this system.

For Light Scratch and Scuff Mark Removal



After cleaning the glass thoroughly, inspect the area with the Diagnostic Inspection Tool. Mark the scratch area from the underside with the red marking pen. Attach the polishing disc to the polishing head. Then apply water to the surface of the scratch. Work the polishing head, very slowly, with consistent pressure, back and forth in the direction of the scratch. Work the area for 30 seconds, and then stop. Wipe the slurry away from the scratch with the edge of the red shroud so you can inspect the progress of your work. Repeat until scratch is removed.



Scratch-A-Way is a registered trademark of Duobond International b.v.

CRL Scratch-A-Way® Electric Powered Tool Kit



110V or 220V/150 Watts
RPM: 5000 to 9500

KIT CONTAINS: Electrical Tool, Diagnostic Inspection Tool, Five Polishing Discs, Marking Pen, Red Chamois, Instructional CD with Manual, and Plastic Case.

CAT. NO.	DESCRIPTION
S965020	110 Volt Scratch-A-Way® Kit
1523	220 Volt Scratch-A-Way® Kit

Minimum order: 1 each.

CRL Scratch-A-Way® Air Powered Tool Kit



KIT CONTAINS: Air Powered Tool, Diagnostic Inspection Tool, Ten Polishing Discs, Oil, Marking Pen, Red Chamois, Instructional CD with Manual, and Plastic Case. Minimum order is one each.

Air Requirement:
8cfm 90 PSI

CAT. NO. 1523A

CRL Scratch-A-Way® Accessories

Diagnostic Inspection Tool

- Inspect Depth and Width of Scratches
- Inspect Bevels and Edgework in Post Fabrication Process

The Diagnostic Inspection Tool magnifies the surface image 30 times. The left section of the tool is illuminated so that the scratch can be viewed clearly. The rotary wheel adjusts the focus of the scratch area.



CAT. NO. S93085

Cerium Oxide Discs

Cerium Oxide Polishing Discs are 2" (50 mm) in diameter, and have an estimated work life of approximately twenty scratches that are 2" (50 mm) long.



CAT. NO. S93054

CAT. NO.	DESCRIPTION
S93085	Diagnostic Inspection Tool
S93054	Cerium Oxide Polishing Disc
S93075	Back-Up Plate With Hook and Loop

Minimum order: 1 each.



CAT. NO. S93075

CRL Scratch Polishing Kit

- Remove Light Surface Scratches
- Polish Out Rubs, Fine Lines, Stains, and Discoloration on Glass of Any Kind
- Lightweight and Well Balanced for Smooth Action
- Heavy-Duty Motor for Long Life

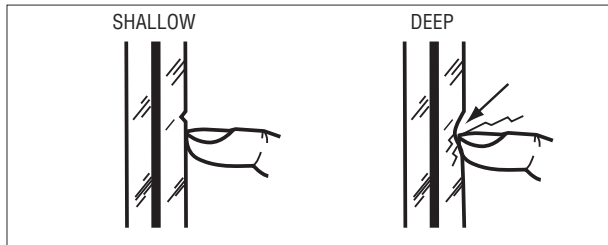
The CRL Scratch Polishing Kit is designed to meet the demand for a low-priced, lightweight, portable tool capable of removing light surface scratches from automobile windshields. It also can be used to polish out rubs, fine lines, stains, and discolorations on mirrors or glass of any kind. Also, this tool can be used as a sander by using a back up pad and sanding discs. Operates on 110V AC.

The CRL Scratch Polisher will remove light scratches and water deposits from glass. Generally, if you run your fingernail over the scratch and it catches, the scratch is too deep to be removed with the polisher. However, light scratches, windshield wiper rubs, and some water deposits can be removed by following these instructions.



Perfect balance and properly placed handles make it possible to work with glass where it is installed, thus lowering the labor time and the cost of removing and replacing it.

Limits of Polishing



Light, shallow scratches and rubs can be removed satisfactorily.

Deep scratches and rubs can only be lessened, not completely removed.

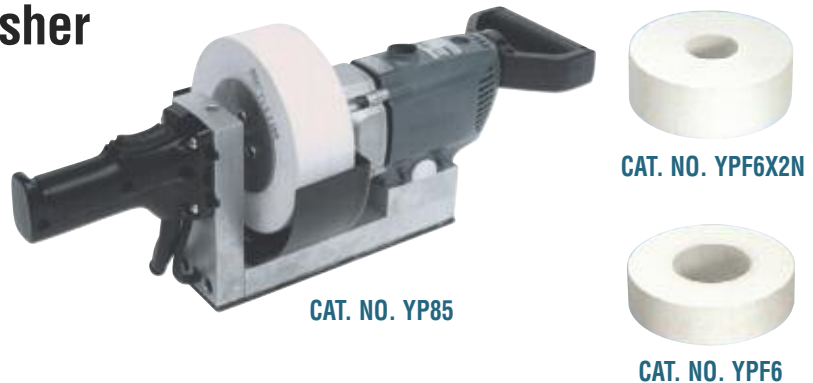
CAT. NO.	DESCRIPTION
CRL9257	Scratch Polishing Kit

Minimum order: 1 each.

CRL Heavy-Duty Scratch Polisher

- Polishes All Types of Glass, From Windshields to Watch Crystals
- Use it Hand Held or Bench Mounted for Added Stability

Use the CRL Heavy-Duty Scratch Polisher can be used as either a bench mounted or hand held polisher with excellent results. It is fitted with a high quality wool felt wheel that will polish virtually all types of glass, from windshields, sheet glass, edges and bevels to watch crystals. Heavy-duty, double-insulated 110V AC motor. Handles on each end of the tool assembly provide control.



POLISHERS	
CAT. NO.	DESCRIPTION
YP85	110V Scratch Polisher
1520	230V Scratch Polisher-Europe

Minimum order: 1 each.

FELT WHEELS			
CAT. NO.	YEARS	SIZE	ARBOR
YPF6X2N	1990 to Present	6" x 2" (152 x 51 mm)	2" (51 mm)
YPF6	Before 1990	6" x 1-1/2" (152 x 38 mm)	2-3/4" (70 mm)

Minimum order: 1 each.

CRL Complete Polishing Head Assembly

- Used for Light Scratch Removal
- Can Be Used With a Cordless Drill

The CRL Polishing Head Assembly consists of a 1-1/2" (38 mm) thick by 3" (76 mm) diameter all wool felt wheel, an aluminum adapter plate, and a 1/4" (6 mm) diameter shank. Use it with our Cat. No. PV7001C Polisher, or chuck it into your electric drill. Minimum order is one each.



CAT. NO. 5703



Polisher Not Included

CRL All Wool Felt Wheel

- For Use With the 5701 Adapter

Made from the highest quality felt, this 3" (76 mm) diameter, 1-1/2" (38 mm) thick buffing wheel can remove scratches, stains, and discoloration from glass and mirrors. Used with the Cat. No. 5701 Aluminum Adapter, this all felt wheel can work wonders in the smallest of spaces. Also replaces the felt wheel on the Cat. No. 5703 Polishing Head Assembly. Minimum order is one each.



CAT. NO. WFD03112

CRL Aluminum Adapter

- For Use With the WFD03112 Felt Wheel



The CRL Aluminum Adapter is machined to run smoothly while on the CRL9257 Scratch Polisher, or when used with the Cat. No. 5704 Shank Adapter. The Cat. No. WFD03112 All Wool Felt Wheel is adhered to the bottom surface of this Adapter by using Cat. No. 3M8001 Super Weatherstrip Adhesive or Cat. No. LN601 Construction Adhesive. Minimum order is one each.

CAT. NO. 5701

CRL Aluminum Adapter and Felt Wheel

- Can Be Used With Your Hand Drill



The CRL Aluminum Adapter and Felt Wheel consists of one Cat. No. 5701 Aluminum Adapter and one Cat. No. WFD03112 All Wool Felt Wheel cemented together. Keep a spare on hand if you do a lot of scratch removal. Mate with Cat. No. 5704 to use it in your hand drill. Minimum order is one each.

CAT. NO. 5702

CRL Shank Adapter

- 1/4" (6.4 mm) Diameter Shank Fits All Drill Motors



The CRL Shank Adapter is designed for use in any hand drill. The 5/8"-11 threads insert into popular disc pads such as Cat. No. 5702. Minimum order is one each.

CAT. NO. 5704

CRL Cerium Oxide

- For Use With the CRL9257 Scratch Polisher



CRL Cerium Oxide is a high grade optical polishing compound used to lessen and polish scratches from auto glass, mirror bevels, and table top edges. CRL Cerium Oxide is mixed with water to form a paste or slurry. This compound has excellent suspension qualities and will not harden. Contains no zinc oxide, and meets most local disposal ordinances.

CAT. NO.	CONTAINER CONTENTS
C0301	1 lb. (454 g)
C0305	5 lbs. (2.27 kg)
C0310	10 lbs. (4.54 kg)

Minimum order: 1 each.

Available in larger bulk containers. Visit crlaurence.com.

3M is a registered trademark of 3M Company Corporation.

CRL 3M® Super Weatherstrip Adhesive

- Exceptional Bonding Strength
- Waterproof and Flexible



CRL 3M® Super Weatherstrip Adhesive is used for bonding WFD03112 Felt Wheels to 5701 Adapters with great adhesion. Easy to spread, extremely fast drying. Also a good general purpose cement. Contents: 5 Fl. Oz. (147 ml). Minimum order is one each.

CAT. NO. 3M8001

CRL 3M® Trizact® Scratch Removal Starter Kits

- The Best Way to Start Using Trizact® Discs
- Uses Your Hand Held Electric Drill
- Includes Four 3" (76 mm) Disc Pads for Quick Change-Out of Discs

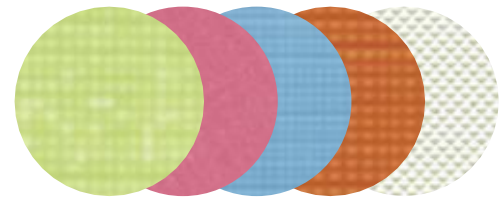
CRL 3M® Trizact® Scratch Removal Starter Kits are the most efficient way to start using CRL 3M® Trizact® products. Using your own hand-held cordless or 110V AC Electric Drill with a Ground Fault Circuit Interrupter (Cat. No. GF1), you can remove scratches ranging from very fine to very deep.

This amazing new material uses natural abrasives formed in the shape of small pyramids, and provides uniform layers of abrasive throughout the pyramid. As the abrasive particles are used, they get flushed away exposing new abrasive. So easy to use, almost anyone can start to remove scratches with this kit in a short time.

NOTE: The Flat Glass Kit comes with 3" (76 mm) Medium Disc Pads while the Curved Glass Kit is supplied with 3" (76 mm) Soft Disc Pads to accommodate the curvature of the glass. Replacement Disc Pads are available, Cat. No. ZDP3P58M for Medium; and Cat. No. ZDP3P58S for Soft.

Trizact® Starter Kits Include:

- 20 Assorted 3" (76 mm) 3M® Trizact® Abrasive Discs
- Four 3" (76 mm) 3M® Disc Pads
- 1 Pound (454 g) of Cerium Oxide
- Spray Bottle for Water
- 1/4" (6 mm) Shank Drill Adapter
- Plastic Apron
- Full Instructions



Drill shown is not included

CAT. NO.	DESCRIPTION
ZSRPSSKM	3M® Trizact® Starter Kit for Flat Glass
ZSRPSSKS	3M® Trizact® Starter Kit for Curved Glass

Minimum order: 1 each.

CRL 3M® Trizact® Professional Scratch Removal System

- Powerful Center Water Feed Polisher Works on Light to Heavy Scratches
- Developed for Professionals

The CRL 3M® Trizact® Professional Scratch Removal System is a breakthrough in scratch removal and glass or polycarbonate polishing. Now this once complicated and messy process is simple and clean without any slurries or compounds to mix. Our all-new, more powerful polisher has more power and torque than ever! With its on-demand water delivery system, constant water flow adjustments are a thing of the past. This system uses plain water, which is delivered through the center of the pad so very little is required.

The natural abrasives used in these discs are formed in the shape of small pyramids. The pyramids are then layered so as the disc wears, a new abrasive surface is exposed. Four grades of abrasive discs are included to remove the deepest of scratches. A cerium oxide pad is used to polish the glass during the final step. The results this system offers are nothing short of amazing.

Please Note: Scratch polishing is an abrasive process which, when certain factors are present, can affect your final polished product, such as one or more of the following examples: **Scratch Depth** - the deeper the scratch, the more difficult it will be to produce a clean and distortion-free surface; **Glass Temperature, Technique** - following instructions and keeping work surface clean between steps is crucial; **Glass Type** - float, tempered, textured, coated reflective, mirrored or tinted.

For additional information, visit the CRL web site, crlaurence.com, or contact CRL Customer Service Department.

3M and Trizact are registered trademarks of 3M Company Corp.



CAT. NO.	DESCRIPTION
ZSRPSSM	3M® Trizact® Professional System for Flat Glass

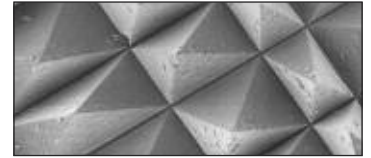
Minimum order: 1 each.

The Trizact® Professional Kit Includes:

- 10 Each of the five different grades of 5" (127 mm) 3M® Trizact® Abrasive Discs
- Five Each 5" (127 mm) 3M® Medium Disc Pads
- 115V AC Center Water Feed Polisher With Built-In GFI
- Pressurized Water Delivery System
- 1 Pound (454 g) of Cerium Oxide
- Full Instructions and 3M® Application Guide

CRL 3M® Trizact® Discs

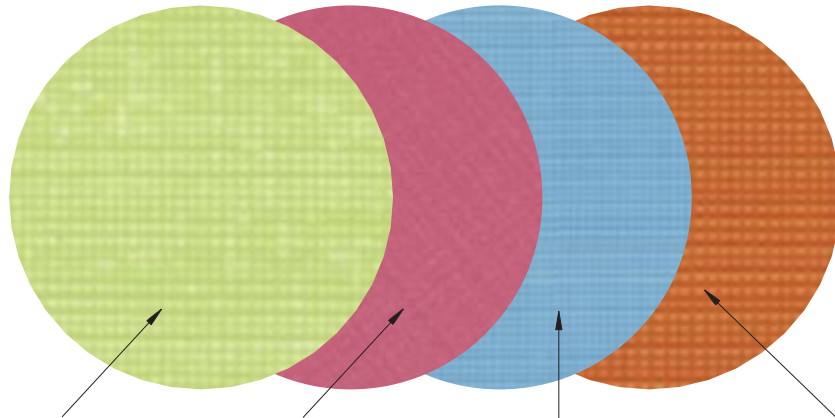
- **3M® Trizact® - A Cleaner, Long-Lasting Abrasive System for Glass Scratch Repair**



The precisely structured surface of Trizact® film is clearly visible under 50X magnification

CAT. NO.	GRADE	DIAMETER
TD335P	A35	3" (76 mm)
TD320P	A20	3" (76 mm)
TD310P	A10	3" (76 mm)
TD35P	A5	3" (76 mm)
TD3CP	Cerium	3" (76 mm)
TD535P	A35	5" (127 mm)
TD520P	A20	5" (127 mm)
TD510P	A10	5" (127 mm)
TD55P	A5	5" (127 mm)
TD5CP	Cerium	5" (127 mm)

Minimum order: 1 each. All Trizact® Discs can be combined for quantity pricing.



TD335P and TD535P

Removes Larger Scratches and Defects

Use the A35 Discs as the first step in removing larger scratches and defects. A small amount of water triggers the cutting action. Controlled water flow helps reduce heat and keeps the glass cooler.

TD320P and TD520P

Removes Moderate Scratches and Defects

Use the A20 Discs when the scratches are significant, but not as deep as those requiring the A35 Discs. Very aggressive like the A35, the A20 requires adequate water flow to reduce heat and keep the glass cooler.

TD310P and TD510P

Refines Scratches, Removes Scuffs and Acid Marks

Use the A10 Discs to refine the scratches left by the A35's, or start with A10 Discs to remove shallow scratches, scuffs, and acid marks. Apply a small amount of water to start the grinding action. Control the water flow to avoid generating too much heat.

TD35P and TD55P

Refines Scratches, Removes Defective AR Coatings

Use the A5 Discs to further refine any scratches left by the A10's. As in previous steps, apply a small amount of water to start cutting action. Avoid extended dwell time to minimize heat build-up.

TD3CP and TD5CP

Polishes and Leaves Glass Crystal Clear

Use this Cerium Oxide Disc for a final polish. To begin, wet the surface slightly with a small amount of water. As you polish, the pyramids will break down to form a slurry-like solution. The polishing action that occurs will remove scratches left by previous leveling steps.

Also available in other sizes. Visit our web site at crlaurence.com.

CRL 3M® Trizact® Disc Pads

- **Medium for Flat Glass, Soft for Curved Glass**



To get the most use out of your Trizact® Discs, and to achieve the best results, use a separate Disc Pad for each grade of disc.

CAT. NO.	DESCRIPTION
02599	5" Medium Density Disc Pad: 5/8"-11 Thread
02598	5" Medium Density Disc Pad: M14-2 Thread
ZDP3P58M	3" Medium Density Disc Pad
ZDP3P58S	3" Soft Disc Pad

Minimum order: 1 each.

3M and Trizact are registered trademarks of 3M Company Corp.

CRL Drill Adapter

- **Adapts Trizact® Disc Pads to Your Power Drill**



This high-quality CRL Drill Adapter, made from heavy-duty stainless steel, allows any of our 3M® Trizact® Disc Pads to be used with any power drill with a standard 3/8" (9.5 mm) or larger chuck. Minimum order is one each.

CAT. NO. 5704

CRL Ground Fault Circuit Interrupter

- **A Must for Anyone Using Wet-Working Tools**



With the CRL GF1 Ground Fault Circuit Interrupter, you gain protection against possible shock or electrocution while using wet-working tools. Minimum order is one each.

CAT. NO. GF1

CRL Cerium Oxide

- **Used for High-Grade Polishing**



This high-grade optical polishing compound is used as the final step with 3M® Trizact® Cerium Polishing Discs to produce a "water clear" finish. It contains no zinc oxide, and meets most local disposal ordinances. Contents: 1 pound (454 g). Minimum order is one each.

CAT. NO. C0301

CRL Sure-Grip 8" Vacuum Lifter

- Greatest Lifting Capacity of Any 8" (203 mm) Pump-Activated Vacuum Lifter
- One Hand Pump and Attachment for Safety When Needed
- Built-In Vacuum Loss Indicator
- Soft Contoured Sure-Grip Handle for Comfort
- Meets CE Conformance

Each S338 ships with this distinctive gray colored protective carrying case



Lifting Capacity
150 lbs. (68 kg)

CAT. NO. S338



CRL 8" ABS Handle Pump-Action Vacuum Lifter

- Fast, Safe Attachment to Smooth, Nonporous Flat Surfaces
- Heavy-Duty 5 mm Thick ABS Handle Resists Bending, Especially During Heavy Lifts
- Four Extra Mounting Points Make it Easy to Attach to Metal Lifting Frames, Jigs, and Our Vacuum Ratchet Tensioning Kit

The CRL S108 8" (203 mm) Pump-Action Vacuum Lifter is designed to make the carrying of large flat glass lites safe and easy. The basic components are a tough ABS handle, with zinc plated parts designed not to rust, attached to a precision molded rubber suction pad. Molded carrying case included. Minimum order is one each.



Threaded Holes For Mounting

Lifting Capacity
120 lbs. (56 kg)

CAT. NO. S108



CRL 8" Stainless Steel Handle Pump-Action Vacuum Lifter

- Full Pad Face Contact When Pumped to Reduce Distortion
- Fast Attachment on Smooth, Nonporous Flat Surfaces
- Heavy-Duty Stainless Steel Handle
- Tough ABS Plunger With Red-Line Indicator
- Can be Re-Pumped Without Losing Remaining Vacuum
- Wide Release Valve Lever Permits Quick and Complete Release

CRL has developed the S7950 8" (203 mm) Pump-Action Vacuum Lifter with the strength of a heavy-duty stainless steel handle and a tough ABS 3-stroke Plunger Pump for extra-fast attachment to glass and other nonporous surfaces. The Plunger uses a red-line indicator to let you know that you have sufficient vacuum to lift your load. Should the red-line appear after pumping, a built-in check valve allows you to re-pump without vacuum loss. Molded carrying case included. Minimum order is one each.



Lifting Capacity
125 lbs. (57 kg)

CAT. NO. S7950

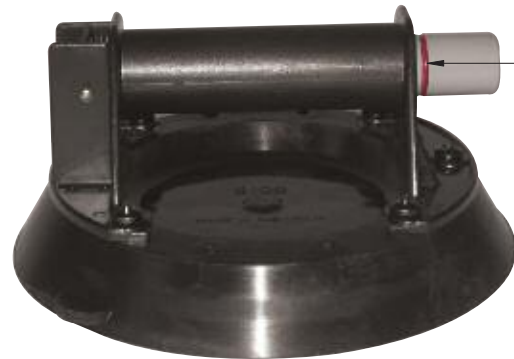




CRL 8" ABS Handle Vacuum Lifter for Curved Surfaces

- Designed Primarily for Lifting Curved Architectural Glass
- Red-Line Indicator Warns User of Any Vacuum Loss
- Providing Safe Lifting to the Industries Since 1992

CRL Pump-Up Vacuum Lifters for Curved Glass are designed to make the carrying and lifting of large architectural curved glass sheets, windscreens (windshields), and thin flexible materials such as 1/16" (2 mm) sheet metal, safe and easy. Vacuum attachment to flat, nonporous surfaces is achieved in a few seconds by depressing the pump's plunger until it stays well within the handle, beyond the red-line safety indicator. It comes with a protective carrying case. Minimum order is one each.



Lifting Capacity
125 lbs. (57 kg)

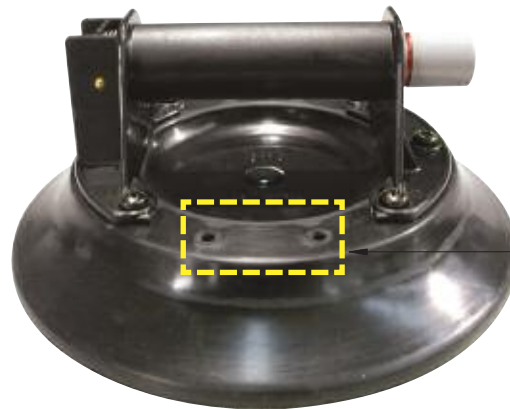
Red-Line Indicator

CAT. NO. S109

CRL 10" ABS Handle Vacuum Lifter for Flat Surfaces

- Designed to Carry Large Sheets of Glass, Marble or Stone Safely
- Supplied With Protective Carrying Case
- Providing Safe Lifting to the Industries Since 1992

CRL Pump-Up Vacuum Lifters are designed to make the carrying and lifting of large glass sheets, marble or stone, safe and easy. Vacuum attachment to flat, nonporous surfaces is achieved in a few seconds by depressing the pump's plunger until it stays well within the handle, beyond the red-line safety indicator. It comes with a protective carrying case. Minimum order is one each.



Lifting Capacity
175 lbs. (80 kg)

Threaded Holes For Mounting

CAT. NO. S110

CRL Vacuum Ratchet Tensioning Kit

- Uses S108 Vacuum Lifter Mounting Points
- Pulls With Tremendous Force

The CRL Vacuum Ratchet Tensioning Kit is designed to pull two flat surfaces or seams together. They are perfect for Formica countertops, marble and granite, flooring, cladding, mirrors, glass, plastic, or any situation in which flat, nonporous surfaces need to be pulled together.

While one set is handy, large mirrors and counters usually need two sets, one on each corner, for an even pull. The ratchet can be removed in order to use the Lifters alone as manual lift aids. Minimum order is one each.



NOTE: Cat. No. S108 Vacuum Lifters are sold separately. (See Page 556J)

CAT. NO. G0284

CRL Wood's Powr-Grip® Vacuum Cups

- Popular Cups With Pump-Actuated Vacuum Mechanisms and Quick Release Triggers
- Built-In Vacuum Loss Indicator

CRL proudly offers you the unique line of Wood's Powr-Grip® Vacuum Cups, the safest hand vacuum cups available on the market today. These specially designed, hand actuated cups operate on a pump system, and create a vacuum under their gripping pad section. The pump plunger has a red band to indicate suction level at all times. When it shows less than 100% vacuum left, simply pump the plunger until you reach the original vacuum pressure without removing the cup from the glass! To release, just depress a trigger on the opposite end of the handle from the plunger. There are four models of the basic Wood's Powr-Grip® Vacuum Cup. All come with a vacuum-molded carrying case to protect the cup when not in use. For more information on the complete line of Wood's Vacuum Lifting Equipment, go to crlaurence.com.



CAT. NO. W4000
Lexan Handle Cup

CAT. NO. W4950
Metal Handle Cup

CAT. NO.	SIZE	WEIGHT CAPACITY	HANDLE TYPE
W4000	8" (203 mm)	125 Lb. (57 kg)	8" (203 mm)
W4950	8" (203 mm)	125 Lb. (57 kg)	8" (203 mm)
W5450	9" (229 mm)	150 Lb. (68 kg)	9" (229 mm)
W6450	10" (254 mm)	175 Lb. (79 kg)	10" (254 mm)

Minimum order: 1 each. All Wood's Vacuum Cups can be combined for quantity pricing.

CRL Brand Heavy-Duty Vacuum Cups

- Large 5" Diameter Pads
- Heavy-Duty Cast Construction

These Heavy-Duty CRL Vacuum Cups have the industry-proven design that has been a favorite of the glass industry for decades. Their cast frames have a smooth yet durable finish that resists corrosion and the abuse that comes from everyday use. The large 5" (127 mm) diameter rubber pads get a good grip on glass, marble, granite or any smooth surface material. These are a practical and affordable material handling system that will give you years of good service. They're quality made by CRL in the U.S.A.

CAT. NO.	DESCRIPTION	CUPS	WEIGHT CAPACITY*
505	Single Vacuum Cup	1	40 Lbs. (19 kg)
550A	Double Vacuum Cup	2	100 Lbs. (45 kg)
550	Double Vacuum Cup	2	125 Lbs. (56 kg)
555	Triple Vacuum Cup	3	150 Lbs. (68 kg)

Minimum order: 1 each. * Recommended maximum weight capacity under ideal conditions using unblemished cups on clean surfaces. Always observe safe lifting practices.



CAT. NO. 550
Double Cup

CAT. NO. 505
Single Cup



CAT. NO. 550A
Cross-Handle
Double Cup

CAT. NO. 555
Triple Cup

CRL Aluminum Lever-Actuated Vacuum Cups

- Four Models to Choose From
- Strong, Lightweight Aluminum

CRL Aluminum Vacuum Cups are easy to use with their simple lever action. Their high quality rubber pads develop a tremendous amount of vacuum for maximum lifting power. They will adhere to any smooth, non-porous surface such as glass, mirror, steel, aluminum, laminates, and plastics. The durable metal construction and hard coating make them tough enough for everyday use, and years of reliable service. Rubber vacuum pads measure 4-1/2" (114 mm), and are easy replaced when worn or damaged.

CAT. NO.	DESCRIPTION	CUPS	WEIGHT CAPACITY*
05061	Single Vacuum Cup	1	66 Lbs. (30 kg)
05062	Double Vacuum Cup	2	132 Lbs. (60 kg)
05064	Movable Pads Double Vacuum Cup	2	132 Lbs. (60 kg)
05063	Triple Vacuum Cup	3	220 Lbs. (100 kg)
RR0506	Replacement Rubber Pad and Lever	----	----
3C024090	Optional Pad Cover	----	----

Minimum order: 1 each. * Recommended maximum weight capacity under ideal conditions using unblemished cups on clean surfaces. Always observe safe lifting practices.



CAT. NO. 05064
Movable Pads
Double Cup

CAT. NO. 05063
Triple Cup



CAT. NO. 05061
Single Cup

CAT. NO. 05062
Double Cup

Wood's Powr-Grip is registered trademark of Wood's Powr-Grip Co., Inc.

CRL Glass and Material Handling Gloves • Our Most Popular Styles

Natural Rubber Palm and Fingers

- For Handling Glass and Sheet Metal
- Smooth Rubber Coating for Glass Use



CAT. NO. 10
Knit Wrist Gloves



CAT. NO. 12
Gauntlet Cuff Gloves



CAT. NO. 63PNFW
Knit Wrist Gloves



CAT. NO. 66NFW
Gauntlet Cuff Gloves

CRL Glass Handling Work Gloves have a special natural rubber coating on the palm side. Their flexible back allows freedom for hand movement. The interior is lined for comfort with soft, fleece-like material. Available in full gauntlet cuff or loose knit wrist styles. Minimum order is one pair.

These wrinkle finish Glass Handling Gloves offer you improved wet or dry gripping. Natural rubber gives you higher cut and snag resistance, with more flexibility and increased wear. Soft lining for your comfort. Choice of a soft, loosely knitted wristband, or with a 2-1/2" (63.5 mm) gauntlet cuff. Minimum order is one pair.

CRL Brand Knit Fit Gloves

- Quick and Easy On and Off
- Machine Washable and Dryable

CRL Brand Knit Fit Gloves have wrinkled finish latex coated palms that are ideal for handling all smooth surfaces, even wet glass. The seamless knit liner makes them form-fitting for increased comfort, and the uncoated back section allows your hand to breath. Machine washable CRL Brand Knit Fit Gloves will provide you with the gripping power, dexterity, durability, and protection you need on the job.

Knit Fit Gloves are available in small, medium, large, and extra large sizes to fit any size hand comfortably. Comfortable poly cotton knit with durable wrinkle finish palms and fingers for a secure grip on all surfaces.



CAT. NO.	SIZE
KF1TS	Small
KF1TM	Medium
KF1TL	Large
KF1TXL	X-Large

Minimum order: 1 pair. Sold only by the pair. Sizes can be combined for quantity pricing.

CRL Brand GripPro Impact Performance Gloves

- Shock Absorbing Impact-X Padding
- Heavy-Duty Elastic Hook and Loop Closure
- Lightweight and Durable RhinoTex Synthetic Leather Palm

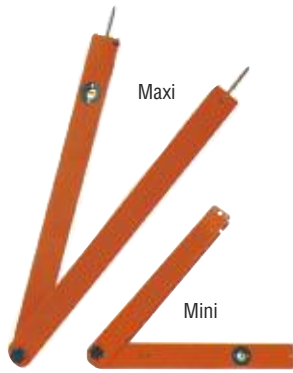
CRL Brand GripPro Impact Performance Gloves provide superior protection against injury-causing shock and impact. Made with the finest materials available, they are designed to endure demanding environments while providing operator comfort. They are also machine washable. Padded areas on our GripPro's are right where you need them, in the palm and knuckle areas. Finger tips feature G-Grip anti-slip traction patches for maximum grip. The breathable spandex back provides great fit and retains the glove's shape, even after repeated washings.



CAT. NO.	SIZE
GR1PS	Small
GR1PM	Medium
GR1PL	Large
GR1PXL	X-Large
GR1P2X	XX-Large

Minimum order: 1 pair. Sold only by the pair. Sizes can be combined for quantity pricing.

CRL "Anglefix" Measuring Tool



- Measures Angles Quickly and Precisely

The "Anglefix" Measuring Tool is a precision measuring device. The angle measurement is displayed on an easy to read analog display and a clamping screw locks the "Anglefix" in any position.

CAT. NO.	SIZE	LENGTH
TT450	Mini	14-9/16" (370 mm)
TT500	Maxi	23-5/8" (600 mm)

Minimum order: 1 each.

CRL "Angletronic" Measuring Tool

- Measures Angles Between 0 and 180 Degrees
- Stores Up to 56 Measurement Values
- Battery-Saving Automatic Shut-Off Feature



Digital Display

With the CRL "Angletronic" angles between 0 and 180 degrees can be measured quickly, precisely, reliably, and read off the digital display. Operates on four AA batteries (included). Minimum order is one each.

CAT. NO. TT505

CRL 25 Foot Ultimate Tape Rules

- Ergonomic Case for a Secure Grip
- 1" Wide x 25' (7.62 m) Long Rigid Blade

This CRL Ultimate Tape Rule has an innovative inline gear that allows it to fit perfectly in your hand for exceptional comfort and a secure grip. An active bumper prevents retraction shock ensuring long blade life. Minimum order is one each.



CAT. NO. 54225

CRL Stanley® PowerLock® II Tape Rules

- Exclusive PowerLock® Feature

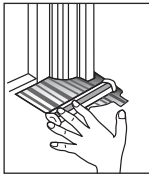
These CRL Stanley® PowerLock® II Tape Rules have the exclusive Life Guard yellow blade.



CAT. NO.	LENGTH	WIDTH
ST33312	12' (3.6 m)	3/4" (19 mm)
ST33316	16' (4.9 m)	3/4" (19 mm)
ST33425	25' (7.6 m)	1" (25.4 mm)

Minimum order: 1 each.

CRL Contour Gauge



The CRL Heavy-Duty Contour Gauge enables you to obtain an exact copy of any shape or contour. Extremely useful for duplicating patterns, fitting tile or mirror, measuring moldings, and many other uses. These come individually carded. Minimum order is one each.

CAT. NO. CG6

CRL Construction Master® Pro Calculator

- Reduces the Risk of Expensive Errors

The Construction Master® Pro is easy to use. Quickly finds solutions to challenging building and dimensional problems; no need to remember complicated formulas. Visit crlaurence.com for additional information.

new



CAT. NO. CM6

Minimum order is one each.

CRL Tele-Tape Measuring Stick



Analog Display



The Tele-Tape Measuring Stick provides precise and reliable measurements whether used up or down, diagonally or flat. Simply extend the telescoping stick and read the measurement.

CAT. NO.	RETRACTED LENGTH
TTE118	28" to 118" (711 to 2997 mm)
TTE158	34" to 158" (864 to 4013 mm)
TTE197	42" to 197" (1067 to 5004 mm)

Minimum order: 1 each.



CRL Allen Wrench Sets

- Both Fractional and Metric Sizes Available
- A Must Have For Every Toolbox



CAT. NO.	DESCRIPTION
91	5/64", 3/32", 7/64", 1/8", 9/64", 5/32", 3/16", 7/32", 1/4" Fractional
91S	.050", 1/16", 5/64", 3/32", 7/64", 1/8", 9/64", 5/32", 3/16" Fractional
M17	1.5, 2, 2.5, 3, 4, 5, 6 mm Metric

Minimum order: 1 each.

Stanley and PowerLock are both registered trademarks of Stanley Logistics, Inc. Construction Master is a registered trademark of Calculated Industries, Inc. Groo-V Tip is a registered trademark of Relton Corporation.

CRL All Terrain Dolly

- Goes Where Other Glass Dollies Won't
- 16" Diameter (406 mm) Two-Ply Pneumatic Tire
- Built-in 8" (203 mm) Wood's™ Powr-Grip® Vacuum Cup
- Includes Set of CRL RB200 Rolling Blocks

CRL's All Terrain Dolly is like having an extra person on the job site. Moving large glass lites, insulating units, patio door panels, and even stone slabs across any terrain is now a snap. Curbs, door sills, and scrap lumber are no longer obstacles when your crew is using the CRL All Terrain Dolly. Its large 16" (406 mm) diameter pneumatic tire won't bog down in the grass or dirt, common to residential and commercial job sites. This handy device also eliminates back and arm strain associated with carrying heavy loads suspended over long distances.

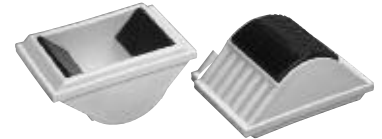
Included is a Wood's 8" (203 mm) diameter Powr-Grip® Vacuum Cup and a set of Cat. No. RB200 Roller Blocks to protect the cargo's edges once unloaded. The Roller Blocks are stored conveniently inside the frame of the All Terrain Dolly so you always know where to find them. Maximum capacity: 400 lbs. (181 kg). Minimum order is one each.



CAT. NO. ATD1
All Terrain Dolly



Patent Pending



CAT. NO. RB200
Roller Blocks (Included)

CRL Heavy-Duty Steel Frame Glass Dolly

- 600 Pounds (272 kg) Weight Capacity
- Sturdy Steel Construction
- Large Pneumatic Tires

CRL Heavy-Duty Steel Frame Glass Dollies can be used indoors or outside for transporting heavy plate glass or insulated units. The large 8-1/2" (216 mm) diameter pneumatic tires will roll smoothly, even over rough surfaces. Constructed from a rubber lined, 3" wide x 1/4" thick (76 x 6 mm), heavy steel channel which supports the glass 5-1/2" (140 mm) off of the floor. Wheels are set 12" (305 mm) apart to provide stability.



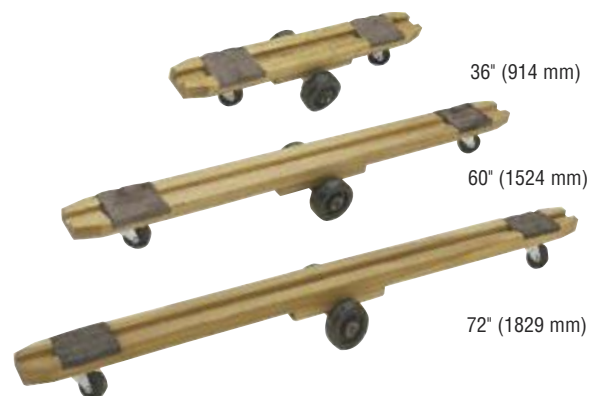
CAT. NO.	OVERALL LENGTH	CAPACITY
2401280	48" (1219 mm)	600 lbs. (272 kg)
2401281	72" (1829 mm)	600 lbs. (272 kg)

Minimum order: 1 each.

CRL Glass Dolly

- 350 Pound (159 kg) Weight Capacity
- Wood Frame Construction
- Felt Pads to Protect the Glass
- Tough Phenolic Wheels

Use the CRL Plate Glass Dolly to move glass easier, and faster from upright storage. The hardwood stock has a 1-1/2" (38 mm) wide groove to handle single or multiple lites. The balanced arrangement of casters allows you to turn-on-a-dime so you can use it in restricted spaces. Two thick felt pads are located near each end to cushion the load. All wheels and casters are made of tough phenolic plastic and roll on ball bearings. An ideal dolly for moving insulating glass units, safety glass, mirrors, plastics, or marble. The Dolly has a 350 lb. (159 kg) capacity. **NOTE:** Not available in Australia. Replacement parts available at crlaurence.com.



CAT. NO.	LENGTH	WIDTH	HEIGHT
13063	36" (914 mm)	5" (127 mm)	6-3/4" (171 mm)
13065	60" (1524 mm)	5" (127 mm)	6-3/4" (171 mm)
13066	72" (1829 mm)	5" (127 mm)	6-3/4" (171 mm)

Minimum order: 1 each. Sizes can be combined for quantity pricing.

Wood's Powr-Grip is a registered trademark of Wood's Powr-Grip Co., Inc.

CRL Framed Glass Handling Dolly

- 300 Lb. (136 kg) Capacity
- Perfect for Framed Glass, Storefront Doors or Almost Any Flat Surfaced Item



With the CRL Framed Glass Handling Dolly, heavy items such as storefront doors, framed windows, storm windows, I.G. units, or just about any other flat surfaced item can be easily moved in an upright position. The dolly is adjustable to widths from 2-1/2" to 4-1/2" (63 to 114 mm), and the steel carriage is carpeted to prevent marring. Minimum order is one each.

CAT. NO. LD450

CRL Glasstrax Dolly

- 600 Lb. (275 kg) Capacity
- Self Clamping Action Locks Loads Up to 2" (50.8 mm) Thick
- One Person Can Load and Maneuver



The CRL Glasstrax Glass Dolly makes it easier than ever to move heavy glass lites smoothly and safely. Load your glass centered on the Glasstrax and the weight of the glass will automatically pull the rubber lined side walls together, clamping it in place. The more weight loaded, the tighter the grip. Self-adjusting for glass or doors up to 2" (50.8 mm) thick. Minimum order is one each.



CAT. NO. GT02

CRL Camber Glass Dolly

- 600 Lb. (275 kg) Capacity
- Great for Shops of All Sizes



The CRL Camber Glass Dolly is designed for transporting smaller lites of glass within the shop environment, or from your truck to the delivery site. This Dolly has two 8" (203 mm) diameter, solid rubber wheels and a vulcanized rubber frame channel, which protects the glass against chipping or damage while in the process of being moved. The inside width of the channel measures 3-1/8" (79 mm); overall length of the channel is 20" (508 mm). Minimum order is one each.

CAT. NO. GSD1

CRL Four Wheel Glass Dolly

- 700 Lb. (320 kg) Capacity
- Four Wheels for Extra Stability



This CRL Four Wheel Glass Dolly is designed to provide additional stability while transporting lites of glass within the shop environment or from your truck to the delivery site. The Dolly has two 8" (203 mm) diameter solid rubber wheels and two caster wheels attached to a vulcanized rubber frame channel, which protects the glass against chipping or damage while in the process of being moved. The inside width of the channel measures 3-1/8" (79 mm); overall length of the channel is 20" (508 mm). Minimum order is one each.

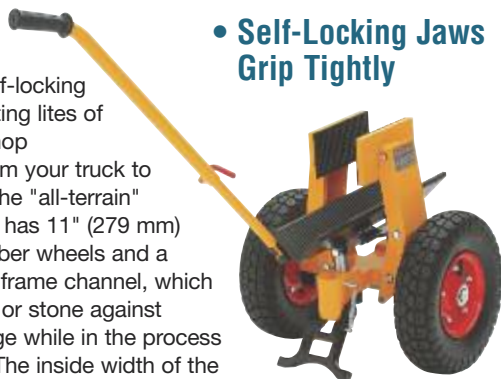
CAT. NO. GSD3

CRL Self-Locking Dolly

- 880 Lb. (399 kg) Capacity

This CRL Self-Locking Dolly is designed with "self-locking jaws" for transporting lites of glass within the shop environment or from your truck to the delivery site. The "all-terrain" Self-Locking Dolly has 11" (279 mm) diameter solid rubber wheels and a vulcanized rubber frame channel, which protects the glass or stone against chipping or damage while in the process of being moved. The inside width of the channel is 4" (102 mm); overall length of the vulcanized rubber "V" channel is 20" (508 mm).

- Self-Locking Jaws Grip Tightly



CAT. NO. GSD2

CRL Long Glass Dolly

- 750 Lb. (340 kg) Capacity for Larger Loads

This CRL Long Glass Dolly is designed with an extra-long trolley channel and bottom-mounted third wheel to provide improved stability. This Dolly can transport longer lites of glass within the shop environment or from your truck to the delivery site. The Long Dolly has two 9-1/2" (240 mm) diameter solid rubber wheels and a vulcanized rubber frame channel, which protects the glass against chipping or damage. The inside width of the channel measures 3-1/8" (79 mm); overall length of the channel is 36" (914 mm). Minimum order is one each.



CAT. NO. GSD4

CRL Heavy-Duty Shop Carts

- Rugged 4,000 Pound (1814 kg) Capacity
- 8" (203 mm) Casters: Two Rigid, Two Swivel With Brake
- Heavy Rubber Lining on All Contact Surfaces
- 2" (51 mm) Wide Polyester Ratchet Straps

CRL Heavy-Duty Shop Carts are the answer to all your in-shop fabrication, storage, shipping, and receiving needs. Sturdy steel construction, and an open frame design allow easy visual check of the product. These Carts are perfect for moving product from one production stage to another, receiving vendor products prior to storage, the staging of product prior to shipping, or loading for job sites.

All three sizes feature a hot-dipped galvanized finish, heavy rubber lining on all contact points, and pull handles mounted on one end for easy maneuverability. The HDSC5448 has 11-1/2" (292 mm) ledge depth while the two larger carts both offer 10-1/4" (260 mm) ledge depth.



CAT. NO. HDSC5448



CAT. NO. HDSC8448



CAT. NO. HDSC8472

CAT. NO.	LENGTH	WIDTH	LOAD HEIGHT	OVERALL HEIGHT	STRAPS PER SIDE	WEIGHT
HDSC5448	54" (1372 mm)	38" (965 mm)	48" (1219 mm)	62" (1575 mm)	2	215 lbs. (97 kg)
HDSC8448	84" (2134 mm)	40" (1016 mm)	48" (1219 mm)	63" (1600 mm)	3	360 lbs. (163 kg)
HDSC8472	84" (2134 mm)	40" (1016 mm)	72" (1829 mm)	87" (2210 mm)	3	460 lbs. (209 kg)

Minimum order: 1 each. F.O.B. Woodstock, Illinois. Must ship common carrier.

CRL Single-Sided Shop Cart

- 2,000 Pound (907 kg) Capacity
- Maneuverable in Tight Areas
- Two 10" (254 mm) Pneumatic Tires and Two 5" (127 mm) Solid, Locking Casters

The CRL Single-Sided Shop Cart is designed for shop and job site use. The combination of 5" (127 mm) locking swivel casters and 10" (254 mm) pneumatic tires, mounted outside of the welded steel frame for stability, make this Cart highly maneuverable in tight areas. Measuring 24" (610 mm) wide, 40" (1016 mm) long and 36" (914 mm) working load height, this Cart is perfect for job site elevators and the tight aisles in busy fabrication shops. All upright contact points are lined with neoprene rubber and the ledge depth is 6" (152 mm). Minimum order is one each. Ships F.O.B. Woodstock, Illinois. Must ship common carrier.



CAT. NO. 2401282

CRL Rolling Glass Manipulator

- Perfect for One Person Glass Transport and Installation
- Rotates Lites Up to 96" (2.4 m) Long
- Assembles in Minutes
- Unloads Glass Truck Racks and "A" Frames
- Extra Large 12" (305 mm) Vacuum Pads

Handling insulating glass and windows can be a back breaker due to the weight and size of the plates, as well as the uneven grounds at construction sites. CRL now offers the Rolling Glass Manipulator, an innovative small portable lifter that allows one person to move lites weighing up to 220 lbs. (100 kg) or two people up to 330 lbs. (150 kg). The RGM1 is lightweight and can easily be assembled in under a minute. Once assembled, the RGM1 can unload glass lites off your truck and then transport the lites on site. The wheelbase can be adjusted from 31-1/2" to 21-1/4", allowing for narrow on site walkways. The RGM1 allows the lite to be rotated 360 degrees, and then the operator can also index the lite allowing movement through standard 36" wide doorways. Minimum order is one each. **NOTE:** Not available for sale in Europe and Australia.

new



CAT. NO. RGM1

CRL Mobile Glass Racks

- Mounts in the Bed of Your Truck
- Standard 19" (483 mm) Masts Hold Larger Panels
- Adjustable Grips for Safe, Secure Transport
- All Glass Areas Have Rubber Pads to Help Prevent Breakage During Transport
- Heavy Gauge Steel With Weather Resistant Black Powder-Coat Finish



CAT. NO. EX21

Both WR5 5-Lite and WR9 9-Lite CRL Mobile Glass Racks assemble easily for fast pickup truck bed installation. The heavy steel powder-coated base holds the sponge rubber protected masts firmly to keep your glass load steady. Adjustable grips press against the glass to prevent movement, and the rubber protective strips on the base plate ensures against glass breakage. Black powder-coat finish gives all-weather resistance. Masts are 19" (483 mm) high. Mast Extensions are also available, Cat. No. EX21.

CAT. NO.	CAPACITY	LENGTH	WIDTH	HEIGHT
WR5	5 Lites	18" (457 mm)	30" (762 mm)	22-1/4" (565 mm)
WR9	9 Lites	30-1/2" (775 mm)	30" (762 mm)	22-1/4" (565 mm)
EX21	Mast Extension			36" (914 mm)

Minimum order: 1 each. All Racks are F.O.B. the nearest CRL warehouse.

CRL Tyvek® Shoe Covers

- Made of Lightweight Tyvek® Material With PVC Sole
- Protects Your Customers Floor Mats
- One Size Fits All

Our Shoe Covers are made of lightweight Tyvek® tops with PVC soles. Tyvek® is a durable tear and puncture-resistant material that remains strong, wet or dry, and will help protect your customer's floor mats from dirt and stains that your shoes might pick up from the shop floor. Interlocking seam construction gives maximum protection from liquid penetration. One size fits all. Extra large boot covers are available on special order.



CAT. NO.	CONTENTS/PACK
1SC	10 Pair

Minimum order: 1 pack.

Tyvek is a registered trademark of E.I. du Pont de Nemours and Company.



5

23R SDH Complete Product Index

- **EVERY PRODUCT IN THIS CATALOG ARRANGED ALPHABETICALLY A TO Z**
 - **LISTINGS BY BRAND NAMES, GENERIC NAMES, AND COMMON NAMES**
 - **PRODUCT SEARCH INFORMATION TO FIND EXACTLY THE RIGHT PRODUCTS TO MEET THE NEEDS OF YOUR SUCCESSFUL BUSINESS**
-

See other side for Section Index.

CRL[®]
U.S. ALUMINUM
crlaurence.com • usalum.com

23R SDH QUICK INDEX BY CATALOG SELECTION

To search for all CRL products, go to CRL Total Search at crlaurence.com.

Shower Door Hinges

Pages 101J to 228J



1

Enclosure Accessories

Pages 229J to 372J



2

Bathroom and Shower Accessories

Pages 373J to 436J



3

Mirror Mounting Hardware, Tools, and Shop Supplies

Pages 437J to 564J



4



C.R. LAURENCE COMPANY

crlaurence.ca

crlaurence.com.au

crlaurence.com | usalum.com

crlaurence.co.uk

crlaurence.de

crlaurence.eu

ASSISTANCE IN FINDING PRODUCTS



Supplying the World With Glazing, Screen, Architectural, Railing, Construction, Industrial, and Automotive Supplies

C.R. Laurence Co., Inc. An ISO9001:2008 Company

There Are Many Ways to Find Just the Right Product for Any Job, and We Are Here to Help

C.R. Laurence Co., Inc.

2503 E. Vernon Ave.
Los Angeles, California 90058-1897

Toll Free Phone (800) 421-6144
Toll Free Fax (800) 262-3299
International Phone (323) 588-1281
International Fax (323) 581-6522



Send An Email or Request to CRL's Online Support

You've looked through our catalog and tried the "CRL Total Search" on our web site, and still couldn't find what you were looking for? Don't give up, just ask us for assistance online. Go to the crlaurence.com home page and click on Contact Us. Then click on Online Support to tell us what it is you are looking for. Our Online Support Department will respond with an answer, usually within one hour if you contact us during normal business hours.

If you have a picture, drawing, or attachment you need to send along with your request, you can send a direct email by addressing it to crl@crlaurence.com. We will do our best to help you because your satisfaction is our goal.



Call Us Toll Free At (800) 421-6144

There's a friendly and helpful voice to help with your product inquiries whenever you call us toll free at **(800) 421-6144** from anywhere in the United States or Canada. Please ask for Customer Service and let us know what you are looking for, how many you need, and when you need them. We're experts at searching available sources worldwide. The experience gained by decades of service affords us the ability to serve you in more ways than you might realize. In Australia our toll free number is 1800 424 275. In Europe our freephone number is 00 800 0421 6144.



Fax Us Toll Free At (800) 262-3299

They say a picture is worth a thousand words, and when you send us a fax describing what you need it makes it that much easier to serve you. CRL offers toll free fax service from anywhere in the United States and Canada. Just dial **(800) 262-3299**, and address your request to CRL Customer Service. Make sure to include your name and return telephone number. We'll be in touch shortly with an answer. In Australia the toll free fax number is 1800 813 013. In Europe the freefax number is 00 800 0262 3299.



Send Us A Sample

Need a special part but haven't been able to find it anywhere? We can usually help you by e-mail, phone or fax, but when that doesn't work, we offer a sample matching service that is determined to serve you. Every year hundreds of CRL customers send us samples of what they're looking for because they know that, quite often, CRL is their best chance of getting just what they need. You may send a sample of what you need to: CRL Customer Service, 2503 E. Vernon Avenue, Los Angeles, CA 90058-1897. Be sure to include your name and telephone number so we can call you with the results of our search. In Australia, 9 Shale Place, Eastern Creek, NSW 2766. In Europe, Charles Babbage Avenue, Kingsway Business Park, Rochdale OL16 4NW England.

CRL23R CATALOG A TO Z PRODUCT INDEX

135 Degree	
Door Jamb	322J
Glass Clamps	
.....276J, 280J, 283J, 287J, 290J, 293J, 295J, 298J-300J	
Glass-to-Glass Hinges	123J-124J, 139J, 144J, 148J, 152J, 157J, 162J, 169J, 171J, 173J, 175J, 187J, 189J, 196J, 198J, 200J, 204J, 208J, 210J, 212J
Movable Transom Glass Clamps	293J
Pony Wall Mount Hinges	141J
Sleeve-Over Glass Clamps	295J
Strike Jamb	322J
180 Degree	
Double-Stud Glass Clamps	276J, 280J, 284J, 287J, 290J, 298J
Glass Clamps	276J-277J, 280J-281J, 284J, 287J, 290J, 293J, 298J-300J
Glass-to-Glass Hinges	123J-124J, 126J, 129J, 134J-135J, 139J, 144J, 147J, 152J, 156J, 159J, 161J-162J, 164J, 166J, 169J, 171J, 173J, 175J, 177J-179J, 181J, 183J-185J, 187J, 189J, 191J-192J, 195J, 198J, 200J, 203J-204J, 207J-208J, 210J, 212J
Movable Transom Glass Clamps	277J, 281J, 293J
Pony Wall Mount Hinge	141J
Single-Stud Glass Clamps	284J, 287J, 299J
Split Face and "Y" Glass Clamps	284J, 290J, 298J, 300J
45 Degree Inside Plane Wall Mount Hinges	202J, 206J
45 Degree Outside Plane Wall Mount Hinges	202J, 206J
90 Degree	
Glass Clamps	274J-276J, 278J-280J, 283J, 287J-290J, 294J, 296J-300J
Glass-to-Glass Clamps	276J, 278J, 280J, 283J, 288J-290J, 296J-300J
Glass-to-Glass Hinges	140J, 148J, 157J, 162J, 169J, 171J, 173J, 175J, 187J, 189J, 191J, 196J, 198J, 200J, 204J, 207J, 210J, 212J
Sleeve-Over Glass Clamps	294J
Wall Mount Heavy-Duty Glass Clamps	274J-275J
A	
Abrasive Belts	540J-544J, 547J-548J
Abrasive Discs	543J
Abrasive Trizact Discs	555J
Acetox Cure Silicones	483J-484J, 486J
Acrylic	
Back-to-Back Towel Bars	270J
Finger Pulls	375J
Latex Caulk	488J
Latex With Silicone	487J
Outlet Cover Plates	416J-427J
Outlet Cover Plates, Bulk	428J-429J
Outlet Cover Plates, Custom	427J
Pull Handles	248J
Pull Handle/Towel Bar Combinations	257J
Single-Sided Towel Bars	262J
Tapes	327J, 480J
Towel Bars	262J, 270J
Acrylic Mirror	
Door Knob Plate	431J
Finger Pulls	375J
Grilles	430J
Knobs	375J
Pulls	375J
Robe Hooks	374J
Soap Dish	374J
Toilet Paper Holder	374J
Toothbrush Holder	374J
Towel Bars	374J
Towel Rings	374J
Adapter Blocks for Deluxe Headers	306J
Adapter Blocks for Junior Headers	309J
Adhesive	
Cleaner	517J
Construction	477J
Tapes	327J, 480J
Ultraviolet	496J-500J
Adjustable	
Cologne Series Hinges	163J-164J
Curved Shower Rods	317J, 370J

Geneva Series Hinges	142J-144J
Glass Clamps	285J, 295J
Grande Series Hinges	190J-191J
Louwer Acrylic Mirror Grilles	430J
Mirror Clip Sets	454J
Mirror Hangers	454J
Pedestal Vanity Mirrors	396J
Pinnacle Series Hinges	150J-152J
Prima Series Pivot Hinges	119J
Shelf Brackets	388J
Sleeve-Over Glass Clamps	295J
Stainless Steel Framed Mirror	414J
Vienna Series Hinges	158J-159J
Aerosol Glass Cleaners	516J
Aerosol Mirror Edge Sealant	482J
All Terrain Dolly	561J
All Wool Felt Wheel	553J
All-Glass Door Hinges	176J-177J
All-Purpose Foam Mounting Tape	479J
Allen Wrench Sets	560J
Alumin-Nu Metal Cleaner	523J
Aluminum	
Adapter and Felt Wheel	553J
Corner Extrusions	444J-445J
Display Shelf Brackets	387J
Divider Bar	444J
Extrusions for Glass Shelving	383J
Flat Bar	407J
Frame Molding Hardware	403J
Inside Corner Extrusion	444J
Jamb With Clear Vinyl Wipe	326J
J-Channel	440J-443J
L-Bar	447J-449J
Outside Corner Extrusion	444J
Pivot Mirror Frames	402J
Shelf Brackets	387J, 394J
Shelf for Mirror Frames	409J
Thresholds	309J
Top Channel Extrusion	407J
Triple Mirror Frames	406J, 408J
U-Channel	301J-303J
Wall Mount Standards	394J
Aluminum Mirror	
Edge Molding	446J
Extrusions	440J-450J
Frame Molding	403J
Frames and Shelves	409J-410J
Frames, Custom	410J
Standards	394J
A-Maz Water Stain Remover	519J
Amazing Glazing Diamond Drills	533J
Anchors, Screw	461J, 539J
Angle Extrusions	448J-449J
Angle Jamb, Multi-Purpose	324J
Angle Moldings, Plastic Reflective	449J-450J
Anglefix Measuring Tools	560J
Angletronic Measuring Tool	560J
Anochrome Mirror Clips	456J-457J
Anti-Fog Spray	482J
Applications for Pivot Hinges	116J
ARC Collection Glass Shelf Kits	384J
Architectural Hardware Master Catalog	XXIV
Architectural Railing Master Catalog	XXV
Arctic Series Glass-to-Glass Hinges	179J
Arctic Series Wall Mount Hinges	179J
Armored Corner Protectors	511J
Atlas Series Hinges	176J
Attachment Rollers, Cottage Series Shower Doors	339J, 343J
Auto Glass Master Catalog	XXVIII
Automatic Closing All-Glass Door Hinge	176J-177J
Automatic Glass Edging Machine	549J
Autosol Shine Metal Cleaner	523J
B	
Back Plate Screws	225J
Back Plates for Hinges	219J-222J
Backing Tape for Mirrors	478J

Backup Pads	543J
Back-to-Back Knobs	230J-235J
Back-to-Back Pull Handles	242J-250J
Back-to-Back Towel Bars	266J-270J
Baguettes, Mirror	431J
Ball Style Knobs	234J
Bar Platen	546J
Bars, Support	310J-315J
Base Plate Replacements	223J
Bathroom Accessories, Geneva Series	378J
Bathroom Accessories, Mirrored	374J
Bathroom Accessories, Pinnacle Series	379J
Battery Operated UV Curing Lamp	508J
Belt Guard Safety Shield	545J
Belt Sander Accessories	546J
Belt Sanders	540J-542J, 544J-548J
Belts, Abrasive	540J-544J, 547J-548J
Bench Model Wet Abrasive Belt Sander	548J
Bendable L-Clips	458J
Berlin Series Glass-to-Glass Hinges	212J
Berlin Series Wall Mount Glass Clamps	297J
Berlin Series Wall Mount Hinges	211J
"Best Friend" Shower Door Installation Assistant	529J
Beveled	
Mirror Clips	452J
Mirror Parts	432J-433J
Mirror Strips	432J-433J
Style 135 Degree Glass-to-Glass Clamps	280J
Style 180 Degree Glass-to-Glass Clamps	280J
Style 180 Degree Glass-to-Glass Movable Transom Clamps	281J
Style 90 Degree Glass-to-Glass Clamps	280J
Style Door Stops	318J
Style Wall Mount Heavy-Duty Glass Clamps	278J
Style Wall Mount Movable Transom Glass Clamps	281J
Bi-Fold Zurich Series Hinges	183J-184J
Big Hook Glass Shelf Kit	386J
Biloba Series Hinges	177J
Bio-Clean Water Stain Remover	519J
Bishop Mirror Clips	456J
Black Gaskets for Hinges	225J
Black Masking Tape	451J
Blades for Glass Saws	536J-537J
Blades, Razor	517J
Blank Outlet Cover Plates	425J
Blanks for Mirror Grilles	431J
Blocks, Setting	451J, 481J
Blue Joint Framing Tape	327J, 481J
BM Series	
Back-to-Back Towel Bars	266J
Pull Handles	242J
Pull Handle/Towel Bar Combinations	252J-253J
Single-Sided Towel Bars	260J-261J
Bottom	
Floor Guide, Laguna Series	354J
Guide, Cottage Series Shower Doors	339J, 343J
Guide, Suite Series Shower Doors	345J
Guides for Framed Shower Doors	363J-366J
Pivot Hinges	117J-119J, 124J-135J
Pivots for Swinging Shower Doors	366J
Rail With Clear Wipe	323J
Rail With Translucent Wipe	323J
Sill, Cottage Series Shower Doors	338J, 342J
Sill, Suite Series Shower Doors	345J
Track, MK Series Shower Doors	346J
Wipe, Co-Extruded	323J
Bow-Tie Style Knobs	232J, 234J
Brad Nails	468J
Brad Pusher	468J
Brass Metal Outlet Cover Plates	416J-421J
Bulb for Surround Light Mirrors	397J
Bulbs for UV Lamps	507J-509J
Bulk Pack Outlet Cover Plates	428J-429J
Bulk Packed Mirror Clip Sets	453J
Bull Nose Mirror Frame Extrusion	404J
Bumpads	473J

CRL23R CATALOG A TO Z PRODUCT INDEX

C

Cabinet Hinges	213J	CRL Easy Push Points	472J
Cable Glass Shelf Kits	385J-386J	CRL Electric Drill Kit	538J
Cable Shelf Brackets	390J	CRL Foam Mounting Tape	479J
Cable TV Outlet Cover Plates	422J-423J	CRL Frameless Pivot Mirrors	400J
Cabo Soft Slide Shower Door System	335J	CRL Glass Cleaners	516J, 518J
Calculator, Construction Master	560J	CRL GripPro Impact Gloves	559J
Canadian Style Aluminum J-Channel	442J	CRL Heavy-Duty Vacuum Cups	558J
Caps for Cover Plate Screws	224J	CRL Hot Air Gun Kit	494J
Carded Picture Hangers	465J	CRL Impact Driver/Drill Kit	538J
Cardiff Series Glass-to-Glass Hinges	128J-129J	CRL Knit Fit Gloves	559J
Cardiff Series Replacement Plates	223J	CRL Lint Free Wipes	524J
Cardiff Series Top and Bottom Mount Hinges	128J-130J	CRL Manufacturing Information	XXX-XXXI, 104J
Catalogs and Literature	XVIII-XXIX	CRL Mirror Cleaner and Polish	419J, 521J
Catalogs Online	XVIII	CRL Mirror Defoggers	398J-399J
Catalogs, Frameless Shower Door	101J	CRL Mirror Edge Sealants	476J, 482J
Cathedral Series		CRL Mirror Mastic	474J-477J
135 Degree Glass Clamps	290J	CRL Plastic Cleaners	522J
180 Degree Glass Clamps	290J	CRL Quick Release Agent	517J
90 Degree Glass Clamps	290J	CRL Ready Mix Glass Cleaner	518J
Glass-to-Glass Hinges	175J	CRL Rotary Tool Kit	538J
Wall Mount Glass Clamps	288J, 290J	CRL Safety Backing Tape	478J
Wall Mount Hinges	174J	CRL Scratch Polishing Kit	552J-553J
Caulking for Tubs and Tile	488J	CRL Silicone Sealants	483J-486J
Caulking Gun, Cordless	489J	CRL Single Edge Razor Blades	517J
Caulking Guns	489J	CRL Single Spindle Edger	549J
Caulking Nozzles	490J	CRL Solvent and Adhesive Cleaner	517J
Ceiling Brackets for Support Bars	311J	CRL Sparkle Cleaner and Stain Remover	521J
Ceiling Mount Sleeve-Over Glass Clamps	295J	CRL Stainless Steel Polish and Cleaner	521J
Cerium Oxide	553J, 555J	CRL Switch and Outlet Shims	424J
Checking Prices Online	IX	CRL Ultimate Tape Rule	560J
Checklist, Frameless Shower Door	108J	CRL Ultraviolet Adhesive	496J-499J
Chips, Color	114J	CRL Very Hi-Bond Tapes	480J
Circuit Interrupter	535J, 555J	CRL Water Spot Remover	519J
Circular Style Pull Handles	243J	CRL Web Site Information	III-XVI
CK Series Sliding Shower Door Kits	336J-337J	Cross Corner Extrusion	445J
Clamps		Cross-Line Leveling Laser	526J
for Glass Shelves	389J-393J	Crystal Clear Plastic Buds	463J
Glass	272J-300J	Crystal Clear Squeegee	380J
Sleeve-Over	294J-295J	Crystal Knobs	238J
With Hooks and Suction Cups	469J	Cups, Vacuum	556J-558J
Classique Series		Curing Lamps	506J-509J
Glass-to-Glass Clamps	289J	Curtain Wall Architectural Design Manual	XXVII
Glass-to-Glass Hinges	187J	Curved Glass Design	106J
Wall Mount Glass Clamps	289J	Curved Shower Rods	317J, 370J
Wall Mount Hinges	186J	Custom	
Cleaner/Degreaser	240J, 494J, 496J-499J	Acrylic Outlet Cover Plates	427J
Cleaners, Glass	494J, 516J, 518J	Aluminum Mirror Frames and Shelves	410J
Cleaners, Metal	523J	Aluminum Pivot Mirror Frames	402J
Cleaners, Plastic	522J	Aluminum Triple Mirror Frames	408J
Clear		Fabricated Decorative Mirror Frames	405J
Gaskets for Hinges	225J	Glass Outlet Cover Plates	427J
Plastic Mirror Clips	460J-461J	Manufacturing Services	104J
Plastic Rosettes	462J	Mirror Grilles	431J
Plastic Setting Blocks	451J, 481J	Mirrors With Stainless Steel Frames	413J
Silicones	483J-486J	Standoffs	435J
View Mirror Defoggers	398J-399J	Cut-Out Template Set	427J
Clear Acrylic		Cylinder Style Knobs	232J, 237J
Dimmer Knob	423J		
Finger Pulls	375J		
Pull Handles	248J		
Towel Bars	262J, 270J		
Cleat Mount System for Mirrors	455J		
Clips, Glass Retainer	467J		
Clips, Mirror	452J-461J		
Co-Extruded Bottom Wipe	323J		
Cologne Series			
Adjustable Hinges	163J-164J		
Glass-to-Glass Hinges	162J		
Positive Close Hinges	161J		
Replacement Plates	222J		
Wall Mount Hinges	160J-161J		
Watertight Cover Plates	218J		
Colonial Style			
Back-to-Back Towel Bars	268J		
Pull Handles	244J		
Pull Handle/Towel Bar Combinations	255J		
Single-Sided Towel Bars	263J		
Color Chips of Hardware Finishes	114J		
Combination Pull Handle/Towel Bar Installation Instructions	258J-259J		
	252J-257J		
Combinations, Pull Handle/Towel Bar	252J-257J		
Common Installation Problems	110J		
Concentrate Glass Cleaner	518J		
Concord Series			
Glass-to-Glass Hinges	171J		
Hinge Gaskets	225J		
Replacement Plates	222J		
Wall Mount Hinges	170J		
Construction Adhesive	477J		
Construction Master® Pro Calculator	560J		
Construction Silicone	485J		
Contemporary Style Knobs	230J, 236J		
Continuous Hinge Triple Mirror Frames	406J, 408J		
Contour Gauge	560J		
Coolant, Drilling	534J		
Cordless			
Caulking Gun Kit	489J		
Diamond Glass Saw Kit	537J		
Impact Driver/Drill	538J		
Screwdriver Kit	538J		
Cork No-Adhesive Shipping Pads	513J		
Cork Tabs on a Roll	514J		
Corner			
Brackets for Support Bars	312J, 315J		
Cable Glass Shelf Kits	385J		
Extrusions, Aluminum	444J-445J		
Glass Shelf Kits	385J		
Moldings, Plastic Reflective	445J		
Moldings, Stainless Steel	445J		
Protectors	511J		
Set for Frame Molding	403J		
Shelf Clip Kits	385J		
Corners for Deluxe Headers	307J		
Corners, Beveled Mirror	432J-433J		
Cottage Series Sliding Shower Door			
Attachment Rollers	339J, 343J		
Bottom Guides	339J, 343J		
Bottom Sill	338J, 342J		
Hardware Pack	339J, 343J		
Header	338J, 342J		
Header Filler	339J, 343J		
Kits	336J-337J, 340J-341J		
Knobs	339J, 343J		
Roller Brackets	339J, 343J		
Sidelite Sill	339J, 343J		
Tapered Jamb	342J		
Tapered Sill	338J, 342J		
Towel Bars	339J, 343J		
Vinyl Seals	339J		
Counter Top Cover Plate Display Stand	429J		
Countersink Tool for J-Channel	443J		
Cover Plate Shims	424J		
Cover Plates			
Acrylic	417J-429J		
Blank	425J		
Brass Metal	416J-421J		
Bulk Packed	428J-429J		
Glass	416J-425J, 428J-429J		
Crazy Clean All Purpose Cleaner	521J		
Crescent Grip Style Knobs	233J		
Crescent Series Back-to-Back Towel Bars	267J		
Crescent Series Pull Handles	245J		
CRL Acrylic Latex Sealants	487J-488J		
CRL Alumin-Nu Metal Cleaner	523J		
CRL Belt Sanders	540J-542J, 544J-548J		
CRL Bio-Clean Water Stain Remover	519J		
CRL Catalogs and Literature	XVIII-XXIX		
CRL Concentrate Glass Cleaner	518J		
CRL Cordless Caulking Gun Kit	489J		
CRL Cordless Screwdriver Kits	538J		
CRL Cross-Line Leveling Laser	526J		
CRL Customer Service Information	XVII, 578J-579J		
CRL Disc Sander-Polisher	543J		
CRL Dry Coating, Lubricant, and Release Agent	360J		
Dallas Mirror Clips	455J		
DAP® Caulking	488J		
DAP® Construction Adhesive	477J		
Decora Outlet Cover Plates	416J-419J, 428J-429J		
Decorative Aluminum Mirror Frames	404J-405J		
Decorative Posters	436J		
Deep Nose Aluminum J-Channel	440J, 442J-443J		
Deep Nose Canadian Style J-Channel	442J		
Deep U-Channel	302J		
Defoggers, Mirror	398J-399J		
Deluxe			
Serenity Series Bottom Guide	365J		
Serenity Series Rollers	330J, 361J		
Serenity Series Sliding Shower Door Systems	330J-331J		
Shower Squeegee	380J		
Stainless Steel Mirror Frames	412J		
Tissue Paper Roll Holders	377J		

D

Dallas Mirror Clips	455J
DAP® Caulking	488J
DAP® Construction Adhesive	477J
Decora Outlet Cover Plates	416J-419J, 428J-429J
Decorative Aluminum Mirror Frames	404J-405J
Decorative Posters	436J
Deep Nose Aluminum J-Channel	440J, 442J-443J
Deep Nose Canadian Style J-Channel	442J
Deep U-Channel	302J
Defoggers, Mirror	398J-399J
Deluxe	
Serenity Series Bottom Guide	365J
Serenity Series Rollers	330J, 361J
Serenity Series Sliding Shower Door Systems	330J-331J
Shower Squeegee	380J
Stainless Steel Mirror Frames	412J
Tissue Paper Roll Holders	377J

CRL23R CATALOG A TO Z PRODUCT INDEX

Deluxe Header			
Adapter Blocks	306J		
Corners	307J		
Kits	304J-307J		
Mounting Brackets	307J		
Snap-In Filler	307J		
Vinyl	307J		
Designer			
Aluminum Shelf Brackets	387J		
Bathroom Accessories	376J-380J		
Mirror Clips	456J		
Series Robe Hooks	377J		
Designing a Frameless Shower	108J		
Designing With Curved Glass	106J		
Despard Outlet Cover Plates	424J-425J		
Diamond			
Drills	532J-533J		
Glass Drilling Machine	530J		
Notch and Saw Machine	536J		
Points	472J		
Saw Blades	536J-537J		
Tool Coolant Concentrate	534J		
Dimmer Switch Cover Plates	423J		
Dimmer Switch Knob	423J		
Disc Sanders-Polishers	543J		
Discs, Sanding	543J		
Dispenser Bottle	518J		
Dispensers for Liquid Soap	380J		
Display, Hardware Finish	114J		
Display, J-Channel Samples	441J		
Display, Mirror Outlet Cover Plates	429J		
Distance Measuring Laser	526J		
Divider Bar for Mirrors	444J		
DK Series Sliding Shower Door Kits	340J-341J		
Door and Window Master Catalog	XXI		
Door			
Hanger Kit, Hydroslide	333J		
Jamb, 135 Degree	322J		
Knob Plate, Mirrored	431J		
Locks With Indicators	251J		
Pull Handles	241J-250J		
Pull Knobs	230J-240J		
Seals and Sweeps	319J-326J		
Seals, Magnetic	326J		
Stops, Frameless Shower	318J		
Stops, Laguna Series	354J		
Track, Hydroslide	333J		
Double			
Edge Razor Blades	517J		
Fin Seal	325J		
Fold Over Triple Mirror Frames	408J		
Hinged Pivot Mirrors	402J		
Robe Hook, Acrylic Mirror	374J		
Drill Adapter	533J		
Drilling Machines for Glass	530J-532J		
Drilling Rings	534J		
Drills for Glass	532J-533J		
Drills for Marble and Tile	539J		
Drip Rail Cover Plate, Prima	119J, 223J		
Driver/Drill, Cordless	538J		
Dry Glaze U-Channel	301J		
Dual Durometer PVC Seal	323J		
Dual-Arm Vanity Mirrors	395J		
Duplex Outlet Cover Plates	418J, 421J-422J		
E			
Easy Points	472J		
Edge			
Moldings for Mirrors	446J-450J		
Moldings, Plastic Reflective	450J		
Moldings, Stainless Steel	450J		
Sealant for Mirrors	476J, 482J		
" T " Wipe	325J		
" V " Seal	324J		
Edging Wheels	549J		
EK Series Sliding Shower Door Kits	344J		
Electric Drill Kit	538J		
Electric Mastic Applicator	475J		
Electro-Formed Diamond Drills	532J		
Elite Series Hinges	167J		
Emerald Corners, Beveled Mirror	432J-433J		
End Caps for Shelving Extrusions	383J		
End Caps for U-Channel	301J-302J		
Essence Series Rolling Shower Door Systems	328J-329J		
Estate Series			
Glass Clamps	278J		
Glass-to-Glass Hinges	173J		
Replacement Plates	222J		
Wall Mount Hinges	172J		
Euro Style Knobs	235J		
Extendable Squeegee	380J		
Extension Directory for CRL Departments	575J-577J		
Extra Deep Nose Aluminum J-Channel	441J		
Extra Length Ladder Style Pull Handles	355J		
Extra/Build Mirror Mastic	476J		
Extruded Aluminum U-Channels	301J-303J		
Extrusions and Moldings	438J-439J		
Extrusions for Glass Shelving	383J		
Extrusions, Mirror	440J-450J		
Extrusions, Mirror Frame	404J-407J		
Extrusions, Shower Enclosure	301J-303J		
E-Z Adjust Header Kits	308J		
E-Z Adjust Top Mount Pivot Hinges	120J, 126J		
E-Z Mount Mirror Clip Set	453J		
F			
Face Plate Glass Clamps	393J		
Felt			
Glass Protectors	514J		
Lined Mirror Clips	457J-458J		
Washers	463J		
Wheels for Polishers	552J-553J		
FHA Type J-Channel	441J, 455J		
Finger Pull Knob	261J		
Finger Pulls, Acrylic Mirror	375J		
Finish Display and Color Chips	114J		
Five Degree Pre-Set Pivot Hinges	118J		
Fixed Panel			
Deep U-Channel	302J		
Regular U-Channel	303J		
Support Bars	310J		
U-Clamps	282J, 287J, 299J		
Fixed Plate Corner Glass Clamps	393J		
Flair Style Knobs	234J		
Flat			
Acrylic Mirror Grilles	430J		
Clip, Bendable	458J		
Face Mirror Edge Molding	446J		
Metal Hangers	464J		
Platen	546J		
Floor Guide Kit, Hydroslide	334J		
Flush Ring Style Knobs	231J		
Flyers, Shower Door	101J		
Foam Mounting Tape	479J		
Foam No-Adhesive Shipping Pads	513J		
Foam Tape Squares	479J		
Fogless Magnifying Mirrors	397J		
Fold Over Triple Mirror Frames	408J		
Frame			
Extrusions for Mirrors	404J-407J		
Molding Corner Set	403J		
Molding Extrusion	403J		
Molding Hanger Set	403J		
Molding Hanging Cleat	403J		
Molding Spring Clips	403J		
Framed			
Pivot Mirrors	402J		
Shower Door Bottom Seals and Wipes	371J		
Shower Door Catch	369J		
Shower Door Corner Brackets	372J		
Shower Door Handle Sets	368J		
Shower Door Knobs	370J		
Shower Door Towel Bar Brackets	370J		
Frameless			
Assist Shower Door Panel Clamp	529J		
Blocks	528J		
Hinge Jig	528J		
Hinge KD Door Kits	214J		
Pivot Mirrors	400J		
Restroom Partition System	226J-228J		
Shower Door Checklist	108J		
Shower Door Guide	101J		
Shower Door Hinge and Pull Handle or Knob Sets	165J		
Shower Door Specialty Catalog	101J		
Shower Door Stops	318J		
Sliding Shower Door Kits	328J-346J		
Stainless Steel Mirrors	413J		
Triple Mirror Hinge	401J		
Vertical Post System	316J		
Framemaster Point Driver	471J		
Framemaster Points	471J		
Frames, Mirror	406J, 408J-410J		
Friction Shower Door Catch	369J		
Fully Beveled Mirror Parts	432J		
G			
Gaskets for Hinges	225J		
Gauntlet Cuff Gloves	559J		
General Purpose Solvent and Adhesive Cleaner	517J		
Geneva Series			
Adjustable Hinges	142J-144J		
Glass Shelf	378J		
Glass-to-Glass Clamps	288J		
Glass-to-Glass Hinges	139J-140J, 144J		
Hinge Gaskets	225J		
Jamb Mounted Hinge Kits	215J		
Pony Wall Mount Hinges	141J		
Privacy Lock	227J		
Replacement Plates	219J		
Soap Dish	378J		
" T " Configuration Glass-to-Glass Hinges	140J		
Toilet Tissue Holder	378J		
Toothbrush Holder	378J		
Towel Bar	378J		
Towel Ring	378J		
Transom Clamps	291J		
Wall Mount Glass Clamps	288J		
Wall Mount Hinges	137J-138J, 141J-143J		
Watertight Cover Plates	217J		
Glass and Glazing Master Catalog	XX		
Glass			
Bracket, Hydroslide	333J		
Clamp Positioning Guidelines	273J		
Cleaners	516J, 518J		
Connection Systems	434J		
Dollies	561J-562J		
Door Handles	241J-250J		
Door Locks With Indicators	251J		
Doors, Laguna Series	347J-356J		
Drilling Machines	530J-532J		
Drills	532J-533J		
Edging Machine	549J		
Grinding Belts	540J-542J		
Handling Gloves	559J		
Jack	451J		
Knobs	235J, 238J		
Manipulator, Rolling	564J		
Mirror Baguettes	431J		
Mirror Cover Plate Display	429J		
Mirror Grill Blanks	431J		
Mirror Grilles	430J		
Mount Sliding Glass Door Assemblies	349J		
Outlet Cover Plates	416J-429J		
Outlet Cover Plates, Bulk	428J-429J		
Outlet Cover Plates, Custom	427J		
Protectors	511J-515J		
Racks, Mobile	564J		
Retainer Clips	467J		
Router	535J		
Saws	536J-537J		

CRL23R CATALOG A TO Z PRODUCT INDEX

Scratch Removal Systems	550J-555J	Glazier's Points.....	471J-472J	Pack, Mirror Frame	405J
Shelf Kits.....	384J-386J	Glazier's Tools.....	526J-560J	Pack, MK Series Shower Doors	346J
Shelf, Geneva Series	378J	Gloves, Glass Handling	559J	Pack, Suite Series Shower Doors	345J
Shelf, Pinnacle Series	379J	Glue-On Knobs.....	238J	Header	
Shelves, Tempered	382J	Grab Bars	271J	Corners	307J
Shelving Extrusions	383J	Grande Series		Cottage Series Shower Doors	338J, 342J
Sizing Program	102J-103J	Adjustable Hinges	190J-191J	Filler, Cottage Series Shower Doors	339J, 343J
Surface Restoration	550J-555J	Glass-to-Glass Hinges.....	189J	Kits, Deluxe.....	304J-307J
Glass Clamps		Wall Mount Glass Clamps	289J	Kits, EZ-Adjust	308J
135 Degree	276J, 280J, 283J, 287J, 290J,	Wall Mount Hinges.....	188J, 190J	Kits, Junior Series	309J
	293J, 295J, 298J-300J	Granite Drills	539J	MK Series Shower Doors	346J
180 Degree.....	276J-277J, 280J-281J, 284J,	Grilles, Custom.....	431J	Mount Kit, Madrid Hinge.....	132J
	287J, 290J, 293J, 298J-300J	Grilles, Mirror.....	430J-431J	Mounting Brackets.....	307J
90 Degree.....	274J-276J, 278J-280J, 283J,	Grinding Belts	540J-544J, 547J-548J	Snap-In Filler.....	307J
	287J-290J, 294J, 296J-300J	Ground Fault Circuit Interrupter	535J, 555J	Suite Series Shower Doors	345J
Adjustable	285J, 295J	GROO-V Tip® Granite, Marble, and Tile Drill Bits.....	539J	Vinyl.....	307J
Berlin Series.....	297J	Guide Roller Bar	546J	Heavy Bodied Mirror Mastic.....	477J
Beveled Style.....	278J-281J	Guide Roller Bar Adapter.....	546J	Heavy Indented Back J-Channel	441J
Cathedral Series	288J, 290J	Guide, Frameless Shower Door.....	101J	Heavy-Duty	
Classique Series	289J	Guidelines for Glass Clamps	273J	Glass and All Purpose Cleaner	516J
Estate Series	278J	Guidelines for Hinge Locations	109J	Glass Clamps	274J, 278J
Face Plate Type	393J	Gun, Cordless Caulking	489J	Razor Scraper	517J
Geneva Series	288J	Guns, Caulking	489J	Scratch Polisher	552J
Glass-to-Glass.....	288J-289J, 296J-297J	Gunther		Shop Carts	563J
Grande Series.....	289J	Extra/Build Mirror Mastic	476J	Steel Frame Glass Dolly	561J
Heavy-Duty.....	274J, 278J	Premier Mirror Mastic.....	476J	Swivel Hangers	464J
Junior Cathedral Series	296J, 300J	Primer.....	476J	Hinge	
Junior Traditional Series	299J	Seal-Kwik Edge Sealant.....	482J	Back Plates	219J-222J
Monaco Series	297J-298J	Ultra/Bond Mirror Mastic	476J	Cover Plates, Watertight	217J-218J
Movable Transom.....	277J, 281J, 291J-293J	H		Gaskets	225J
Oversized	282J-283J	"H"		Handle Sets.....	165J
Petite Series	297J	Jamb Door Seals.....	321J	Kits, Jamb Mounted	215J
Pinnacle Series.....	289J	Jamb With Cushion Fin.....	321J	Location Guidelines.....	109J
Roman Series	287J-288J	Jamb With Vinyl Insert.....	321J	Pin Wrench	225J
Sleeve-Over	294J-295J	Wipe Water Seal.....	319J	Replacement Plates.....	219J-223J
Square Style.....	274J-277J	Half-Round Light Duty Shower Door Hinges	213J	Screws	224J-225J
To Match Hinges	288J-289J, 296J-297J	Half-Round Tempered Glass Shelves	382J	Selection Information.....	112J-113J
Traditional	282J-284J, 292J-293J	Half-Round Thresholds	309J	Hinges	
Trianon Series	296J	Handle and Hinge Sets	165J	Arctic Series.....	179J
Universal	392J	Handles		Atlas Series	176J
Glass-to-Glass		Acrylic.....	248J	Berlin Series.....	211J-212J
Arctic Series Hinges.....	179J	Back-to-Back.....	242J-250J	Cardiff Series	128J-130J
Berlin Series Hinges	212J	BM Series.....	242J	Cathedral Series	174J-175J
Cathedral Series Hinges	175J	Circular.....	243J	Classique Series	186J-187J
Classique Series Clamps	289J	Colonial Style	244J	Cologne Series	160J-162J
Classique Series Hinges.....	187J	Crescent Series	245J	Concord Series	170J-171J
Cologne Series Hinges.....	162J	For Frameless Shower Doors.....	241J-250J	Elite Series	167J
Concord Series Hinges.....	171J	Ladder Style	247J	Estate Series	172J-173J
Estate Series Hinges	173J	Mitered Corner	246J	Geneva Series	136J-144J
Geneva Series Clamps	288J	MT Series	246J	Glass-to-Glass Pivot.....	122J-124J, 126J-127J, 129J, 133J-135J
Geneva Series Hinges	139J-140J, 144J	Sculptured Style.....	245J	Grande Series	188J-191J
Grande Series Hinges.....	189J	SD Series	243J	Inline Panel Mount Pivot.....	122J-124J, 126J-127J, 129J, 134J-135J
Junior Cathedral Series Hinges	210J	Single-Sided.....	249J	Junior Cathedral Series	209J-210J
Junior Geneva Series Hinges	195J-196J	Slip-On	248J	Junior Geneva Series	193J-196J
Junior Prima Series Hinges	127J	Solid.....	244J-245J, 249J-250J, 255J	Junior Prima Series	127J
Madrid Series Hinges	133J	SQ Series	246J	L-Bracket Wall Mount Pivot	121J, 134J-135J
Milano Series Hinges	200J	Tubular	242J-244J, 246J-247J	Light Duty	213J
Monaco Series Clamps	297J	Victorian Style	244J	Madrid Series.....	131J-133J
Monaco Series Hinges	207J-208J	With Metal Washers.....	242J-244J, 246J-249J	Milano Series	199J-200J
Petite Series Hinges	203J-204J	Without Metal Washers.....	242J, 245J-246J, 249J-250J	Monaco Series	205J-208J
Pinnacle Series Clamps	289J	Hanger Set for Frame Molding	403J	Offset Bracket Wall Mount Pivot	121J, 129J
Pinnacle Series Hinges.....	147J-148J, 152J	Hanger Wire	466J	Petite Series.....	201J-204J
Pivot Hinges.....	122J-124J, 126J-127J, 129J, 133J-135J	Hangers		Pinnacle Series	145J-152J
Prima Series Hinges	122J-124J	Metal	464J	Prima Series	115J-124J
Regal Series Hinges.....	181J	Mirror.....	454J	Regal Series	180J
Riviera Series Hinges	192J	Picture.....	465J	Roman Series	168J-169J
Roman Series Hinges.....	169J	Sawtooth.....	467J	Rondo Series	134J
Rondo Series Hinges	134J	Staple-On	467J	Senior Cardiff Series	130J
Senior Prima Series Hinges	126J-127J	Stick-On	467J	Senior Prima Series	125J-127J
Shell Series Hinges	135J	Swivel Type	464J	Shell Series	135J
Support Bars.....	310J, 313J	Wireless	465J	Sydney Series	178J
Sydney Series Hinges	178J	Hanging Cleat, Mirror Frame	405J	Trianon Series	197J-198J
Trianon Series Clamps	296J	Hangman® Mirror and Picture Hanging System	470J	Triple Mirror	401J
Trianon Series Hinges	198J	Hardware		Ultimate Series	166J
Ultimate Series Hinges.....	166J	Finish Display.....	114J	Vienna Series	153J-159J
Vienna Series Hinges	156J-157J, 159J	Pack, Cottage Series Shower Doors.....	339J, 343J	Wall Mount Pivot.....	121J, 129J, 132J, 134J-135J
Zurich Series Hinges	183J-185J			Zurich Series	182J-185J

CRL23R CATALOG A TO Z PRODUCT INDEX

Hi-Red Plastic Screw Anchors	539J
Hi-SHEEN Glass Cleaner.....	516J
Hook Anchors.....	465J
Hooks, Suction Cup.....	469J
Hot Air Gun Kit	539J
Hydroslide	
Bi-Fold Hinges.....	334J
Bottom Sweep.....	334J
Door Hanger Kit.....	333J
Floor Guide Kit	334J, 364J
Glass Bracket.....	333J
Roller Stop Kit.....	333J
Rollers.....	333J, 361J
Screw Cover Kit	333J
Sliding Shower Door Kits.....	332J
Sliding Shower Door Track	333J
Track Connectors	333J

I

Ideas for New Products.....	105J
Impact Driver/Drill.....	538J
Indented Back J-Channel.....	441J
Industrial Silicone.....	485J
Inline Panel Mount	
Pivot Hinges.....	123J-124J, 126J, 129J, 134J-135J
Prima Series Hinge.....	123J-124J
Rondo Series Hinge	134J
Shell Series Hinge.....	135J
Inside Angle Moldings.....	448J-449J
Inside Corner Molding.....	445J
Installation	
Instructions for Knobs	240J
Instructions for Mirror Defoggers.....	399J
Instructions for Pull Handles and Towel Bars	258J-259J
Keys to Success.....	110J-111J
Integral Shelf for Mirror Frames.....	411J
Interior Shelf Clamps	389J
Internet Based Glass Sizing Program.....	102J-103J

J

Jamb Guides for Framed Shower Doors.....	366J-367J
Jamb Mounted Hinge Kits.....	215J
Jamb With Vinyl Wipe.....	326J
J-Channel	
Aluminum	440J-443J
Mirror.....	440J-443J
Plastic Reflective.....	442J
Punch and Countersink Tool	443J
Sample Display	441J
Stainless Steel.....	442J
J-Mirror Clip Set.....	453J
Joint Framing Tape.....	327J, 481J
Junior	
Adapter Blocks	309J
Cathedral Series 135 Degree Glass Clamps	300J
Cathedral Series 180 Degree Glass Clamps	300J
Cathedral Series 90 Degree Glass Clamps	300J
Cathedral Series Glass-to-Glass Hinges	210J
Cathedral Series Wall Mount Glass Clamps	296J, 300J
Cathedral Series Wall Mount Hinges.....	209J
Contemporary Style Knobs	231J
Geneva Series Glass-to-Glass Hinges	195J-196J
Geneva Series Hinge Gaskets.....	225J
Geneva Series Wall Mount Hinges	193J-194J
Header Kits.....	309J
Header Snap-In Filler	309J
Header Vinyl.....	309J
Prima Series Glass-to-Glass Hinges	127J
Prima Series Top or Bottom Mount Hinges	127J
Traditional Series 135 Degree Glass Clamps	299J
Traditional Series 180 Degree Glass Clamps	299J
Traditional Series 90 Degree Glass Clamps.....	299J
Traditional Series Fixed Panel U-Clamps.....	299J

K

Keys to a Successful Installation.....	110J-111J
Kimtowels.....	525J

Kits

Deluxe Header.....	304J-307J
Glass Shelf.....	383J-386J
Junior Header.....	309J
Picture Wire.....	466J
Sliding Shower Door.....	328J-346J
Knit Wrist Gloves	559J
Knob	
Adhesive.....	240J
Dimmer Switch	423J
Installation Instructions	240J
Latch.....	235J
Suite Series.....	345J
Knobs	
Acrylic Mirror.....	375J
Back-to-Back.....	230J-235J
Ball Style.....	234J
Bow-Tie Style.....	232J
Contemporary Style.....	230J, 236J
Cottage Series Shower Door	339J, 343J
Crescent Grip Style	233J
Crystal.....	238J
Cylinder Style.....	232J, 237J
Euro Style.....	235J
Flair Style	234J
Flush Ring Style	231J
Frameless Shower Door.....	230J-240J
Glass.....	235J, 238J
Glue-On Type	238J
Junior Contemporary Style	231J
Mini Bulb Style.....	237J
Protruding Ring Style	231J
Ribbed Bow-Tie Style	234J
Single-Sided.....	236J-238J
Solid Glass.....	238J
Square Style.....	233J
Traditional Style.....	230J, 236J
KV Corner Glass Shelf Kits.....	385J
KV Glass Shelf Kits	384J-385J
Kwik-Seal Tub and Tile Caulk	488J

L

L Seals	324J
Ladder Style Pull Handles	247J
Laguna Series	
Bottom Floor Guide.....	354J
Door Stops.....	354J
Pivot Door System	356J
Sliding Glass Door System	347J-355J
Thru-Glass Pull	355J
Top Roller.....	353J
Top Sliding Tube	353J
Top Sliding Tube Clamps.....	354J
Wall Mount End Cap	353J
Wood Door Adaptor Kit.....	352J
Lamp Replacement Bulbs	507J-509J
Lamps, Adhesive Curing	506J-509J
L-Angle, Stainless Steel.....	449J
Large Vertical Shelf Clamps	391J
Laser Tools for Leveling.....	526J
Laser Tools for Measuring.....	526J
L-Bar, Aluminum	447J-449J
L-Bracket Wall Mount Pivot Hinges.....	121J, 134J-135J
Leveling Clips for Mirrors.....	461J
Leveling Laser.....	526J
Lift Off Removers	521J
Lifter, Plate Glass.....	451J
Light Bodied Mirror Mastic	477J
Light Duty Frameless Shower Door Hinges	213J
Lighted Mirrors	395J-397J
Lint Free Wipes	524J
Liquid Nails Adhesive.....	477J
Liquid Soap Dispensers	376J
Location Guidelines for Hinges	109J
Locks for Glass Doors.....	227J, 251J
Loctite UV Adhesive	500J
Logo Label Glass Cleaners.....	516J

Louvered Mirror Grilles	430J
Low Profile J-Channel.....	441J
Lubricant and Release Agent, Dry Coating	360J

M

Madrid Series Hinges	131J-133J
Magnetic Profile Door Seals.....	326J
Magnetic Shower Door Catch.....	369J
Magnetic Shower Installation Alignment Tool	529J
Magnifying Mirrors	395J-397J
Make-Up Mirrors.....	395J-397J
Makita Belt Sanders	541J
Makita Disc Sander-Polisher	543J
Manual, Shower Door	101J
Manufacturing Services.....	XXX-XXXI, 104J
Marble Drills.....	539J
Masking Tape, Black.....	451J
Master Catalogs	XVIII-XXVIII
Mastic Applicator Tools	475J
Mastic Stik	475J
Mastics for Mirrors	474J-477J
Material Handling Gloves	559J
Measuring Tools.....	526J-527J, 560J
Merchandising Products	436J
Metal	
Bond Diamond Drills	533J
Cleaners	523J
Hangers.....	464J
L-Clips.....	458J
Mirror Clips.....	452J-459J
Outlet Cover Plates	415J-421J
Rosettes.....	462J-463J
Methods of Ordering	XVII
Micro Fiber Wipes	524J
Milano Series Glass-to-Glass Hinges	200J
Milano Series Wall Mount Hinges	199J
Milweed Resistant Silicones	483J-485J
Mini Bulb Style Knobs.....	237J
Mini Water/Coolant Adapter	533J
Mirraco Mirror Clips and Hangers.....	454J
Mirro-Mastic Bond	475J
Mirro-Mastic, Palmer	474J-475J
Mirror and Glass Notching Saw	537J
Mirror	
Baguettes.....	431J
Cleaner and Polish	521J
Clip Counter Top Display.....	460J
Clip Screws.....	460J
Clip Sets.....	453J-454J, 457J
Clip, Screw, and Anchor Sets	460J
Cord Kits.....	466J
Corner Protectors.....	511J
Corners, Beveled.....	432J-433J
Defoggers.....	398J-399J
Divider Bars	444J
Edge Moldings.....	446J-450J
Edge Sealants.....	476J, 482J
Emerald Corners, Beveled.....	432J-433J
Extrusions	440J-450J
Finger Pulls	375J
Grilles.....	430J-431J
Grommets	463J
Hangers, Adjustable	454J
Hanging Supplies	464J-473J
Hole Nibbler	427J, 535J
Knobs.....	375J
Mastics	474J-477J
Mount System Cleat	407J
Mounting Tape	479J
Outlet and Switch Hole Nibbler	427J, 535J
Outlet Cover Plate Display.....	429J
Outlet Template Set	427J
Parts, Beveled	432J-433J
Pivots.....	401J
Plates.....	416J-429J
Pliers.....	535J
Pulls.....	375J

CRL23R CATALOG A TO Z PRODUCT INDEX

Robe Hooks	374J	Instructions, Pull Handles and Towel Bars.....	258J-259J	Pinnacle Series	
Rosettes	462J-463J	Kits for Madrid Series Hinges	132J	Adjustable Hinges	150J-152J
Safety Backing Tape.....	478J	Tape.....	479J	Glass Shelf	379J
Soap Dish.....	374J	Movable Brackets for Support Bars	312J, 315J	Glass-to-Glass Clamps	289J
Squares, Beveled	432J-433J	Movable Transom Glass Clamps	277J, 281J, 291J-293J	Glass-to-Glass Hinges.....	147J-148J, 152J
Standards and Brackets	394J	MSDS and Spec Data Information.....	VIII	Hinge Gaskets	225J
Strips, Beveled	432J-433J	MT Series		Jamb Mounted Hinge Kits.....	215J
T-Connectors, Beveled	432J-433J	Back-to-Back Towel Bars.....	269J	Privacy Lock.....	227J
Toilet Paper Holder.....	374J	Pull Handles	246J	Replacement Plates.....	220J
Toothbrush Holder	374J	Pull Handle/Towel Bar Combinations	256J	Soap Dish.....	379J
Towel Bars.....	374J	Single-Sided Towel Bars	265J	Toilet Tissue Holder.....	379J
Towel Rings.....	374J	Multi-Function Tool	542J	Toothbrush Holder	379J
Mirror Clips		Multi-Mag Mirrors	395J-396J	Towel Bar	379J
Adjustable	454J	Multi-Purpose Clear Strike Angle Jamb	324J	Towel Ring	379J
Anochrome	456J-457J	Multi-Purpose "H" Wipe.....	319J	Transom Clamps	291J
Beveled	452J-459J	N		Wall Mount Glass Clamps.....	289J
Bishop Style	456J	Neutral Cure Silicone.....	485J	Wall Mount Hinges.....	145J-146J, 149J-151J
Clear Plastic	460J-461J	New Product Submissions	105J	Watertight Cover Plates.....	217J
Dallas Style	455J	Nibbler Tool	427J, 535J	Pins, Pivot.....	117J, 125J, 128J, 130J, 136J, 145J, 153J, 160J, 167J-168J, 174J, 193J, 195J, 197J, 209J, 211J
E-Z Mount	453J-454J, 457J	No Wax Points.....	522J	Pivot	
Felt-Lined	457J-458J	No-Adhesive Shipping Pads	513J-514J	Doors, Laguna Series.....	356J
In Display Packs.....	460J	No-Drill Fixed Panel Clamps.....	286J	Hinge Applications	116J
Metal	452J-459J	No-Drill Glass Shelf Clamps	390J	Mirrors.....	400J-402J
Mirraco.....	454J	NoStud® Drywall Picture Hanger	470J	Pin Wrench	225J
Offset	459J	Notching Saws	537J	Pins.....	117J, 125J, 128J, 130J, 136J, 145J, 153J, 160J, 167J-168J, 174J, 193J, 195J, 197J, 209J, 211J
Plastic Lined.....	453J	Notch-Free Shower Door Hinge	131J-132J	Pivot Hinges	
Polished Chrome Look.....	459J	Novus Plastic Polishes	522J	Cardiff Series	128J-129J
Round	459J	Nozzle Caps	490J	E-Z Adjust Top Mount	120J, 126J
Round Lip	457J	Nozzle Cutter	490J	Junior Prima Series	127J
Side Mount.....	461J	Nozzles for Caulking.....	490J	Madrid Series.....	131J-133J
Square Beveled	461J	Nozzles, Problem Solver	490J	Prima Series	115J-124J
Swivel Mount	457J	Nozzles, Screw-On	490J	Rondo Series	134J
Vancouver Style.....	456J	O		Senior Cardiff Series	130J
Mirror Frame		Offset Bracket Wall Mount Pivot Hinges.....	121J, 129J	Senior Prima Series	125J-127J
Extrusions.....	404J-407J	Offset Mirror Clips.....	459J	Shell Series	135J
Hardware Pack	405J	Online Catalogs	XVIII	Pivots, Mirror Mounting.....	401J
Molding, Aluminum.....	403J	Online Glass Sizing Program.....	102J-103J	Plastic	
Shelf Extrusion.....	407J	Online Services	III-XVI	Cleaners and Polishes	420J, 522J
Top Channel	407J	Optional Pivot Pins	117J, 125J, 128J, 130J, 136J, 145J, 153J, 160J, 167J-168J, 174J, 193J, 195J, 197J, 209J, 211J	Lined Mirror Mounting Clips	453J
Mirror Frames		Optional Shelf for Stock Size Mirror Frames.....	409J	Mirror Clips.....	460J-461J
Decorative Aluminum.....	404J-405J	Ordering Methods	XVII	Razor Blades	517J
Stainless Steel.....	411J-413J	Outlet Cover		Rosettes	462J
Theft-Proof.....	411J-413J	Plate Shims.....	424J	Screw Anchors.....	461J, 539J
Triple	406J, 408J	Plates	415J-429J	Side Mount Mirror Clips.....	461J
Mirrored Bathroom Accessories	374J-375J	Plates, Blank	425J	Spray Dispenser Bottle.....	518J
Mirrored Door Knob Plate.....	431J	Plates, Bulk.....	428J-429J	Plastic Reflective	
Mirrored Outlet Cover Plates.....	416J-429J	Outside Angle Moldings	448J-449J	Angle Moldings	448J-449J
Mirrors, Magnifying	395J-397J	Outside Corner Moldings	445J	Corner Moldings	445J
Mirrors, Pivot.....	400J-402J	Oval Head Mirror Clip Screws	460J	Divider Bar	444J
Mirrors, Vanity	395J-397J	Oval Head Rosette Screws	462J	Edge Moldings	450J
Miter Tool for Moldings.....	445J	Oval Mirror Defoggers.....	399J	J-Channel	442J
Mitered		Oversized 90 Degree Glass Clamps	283J	Tape	407J, 446J
Corner Back-to-Back Towel Bars.....	269J	Oversized Fixed Panel U-Clamps	282J	Plate Glass Lifting Tool.....	451J
Corner Pull Handles.....	246J	P		Plated Diamond Drills.....	533J
Corner Single-Sided Towel Bars.....	265J	Pads, Shipping	512J-515J	Platen Adapter.....	546J
Support Bar Brackets.....	313J	Palmer Mastic Tools.....	475J	Platens for Belt Sanders.....	546J
MK Series Sliding Shower Door		Palmer Mirro-Mastic	474J-475J	Plates, Outlet Cover.....	415J-429J
Bottom Track.....	346J	Paper Towels	524J-525J	Pliers, Adjustable	535J
Hardware Package	346J	Partition System, Restroom	226J-228J	Plumb/Level Finder Gauges.....	527J
Header.....	346J	Pebbled No-Adhesive Shipping Pads	514J	Plumb Perfect Level	527J
Kits.....	346J	Pedestal Vanity Mirrors	396J	Point Driver	471J-472J
Side Jamb.....	346J	Perfect Reveal Tool.....	528J	Point Removal Tool	472J
Top Hanger Rail.....	346J	Petite Series		Point Setting Tools.....	471J-472J
Mobile Glass Racks	564J	Glass-to-Glass Hinges.....	203J-204J	Points	
Moldings and Extrusions.....	438J-439J	Hinge Gaskets	225J	Framing.....	471J
Molly Hooks	465J	Wall Mount Glass Clamps.....	297J	Glazing	472J
Monaco Series		Wall Mount Hinges.....	201J-202J	No Wax	472J
135 Degree Glass Clamps	298J	Phillips Mirror Clip Screws.....	460J	Triangle	472J
180 Degree Glass Clamps	298J	Phillips Screws for Hinges	224J-225J	Polish, Metal	523J
90 Degree Glass Clamps.....	298J	Phillips Stainless Steel Screws	303J	Polish, Plastic.....	522J
Glass-to-Glass Clamps.....	297J	Picture Hangers.....	465J	Polished Chrome Look Mirror Clips	459J
Glass-to-Glass Hinges.....	207J-208J	Picture Wire Kits	466J	Polishing Compound	553J, 555J
Wall Mount Glass Clamps.....	297J			Polishing Head Assembly.....	553J
Wall Mount Hinges.....	205J-206J			Polycarbonates and PVC Water Seals	319J-326J
Motsenbocker's Lift Off Removers	521J			Polycarbonates, Cottage Series Shower Doors	339J
Mounting					
Brackets for Deluxe Headers	307J				

CRL23R CATALOG A TO Z PRODUCT INDEX

Pony Wall Mount Geneva Series Hinges.....	141J
Portable Glass Router.....	535J
Positioning Guidelines, Glass Clamp.....	273J
Positive Close Hinges.....	155J-156J, 161J
Posters, Decorative.....	436J
Powerlock Tape Rules.....	560J
Powr-Grip Vacuum Cups.....	558J
Premier Mirror Mastic.....	476J
Prima Series	
Adjustable Hinges.....	119J
Glass-to-Glass Hinges.....	122J-124J
Hinge Gaskets.....	225J
Hinge Introduction.....	115J-116J
Inline Panel Mount Hinges.....	123J-124J
Rear Cover Plate with Drip Rail.....	119J, 223J
Replacement Plates.....	223J
Top and Bottom Mount Hinges.....	117J-119J, 124J
Wall Mount Hinges.....	121J
Prime-N-Seal Primer.....	476J
Privacy Locks for Restroom Partition Systems.....	227J
Private Label Glass Cleaners.....	516J
Problem Solver Nozzles.....	490J
Product Support.....	580J
Profile Set, Water Seals and Sweeps.....	319J
Proper Hinge Selection.....	112J-113J
Protective Bumpads.....	473J
Protectors, Corner.....	511J
Protruding Ring Style Knobs.....	231J
Pull Handles	
Acrylic.....	248J
Back-to-Back.....	242J-250J
BM Series.....	242J
Colonial Style.....	244J
Crescent Series.....	245J
Ladder Style.....	247J
Mitered Corner.....	246J
Mounting Instructions.....	258J-259J
MT Series.....	246J
RM Series.....	247J
Sculptured Style.....	245J
SD Series.....	243J
Single-Sided.....	249J
Slip-On.....	248J
Solid.....	244J-245J, 249J-250J, 255J
Solid Brass.....	249J-250J
SQ Series.....	246J
Tubular.....	242J-244J, 246J-247J
Victorian Style.....	244J
Washer Kits.....	250J
With Metal Washers.....	242J-244J, 246J-249J
Without Metal Washers.....	242J, 245J-246J, 249J-250J
Pull Handle/Towel Bar Combinations With Metal Washers.....	
.....	252J, 254J-256J
Pull Handle/Towel Bar Combinations Without Metal Washers.....	
.....	253J, 256J
Pulls, Acrylic Mirror.....	375J
Pulls, Clear Acrylic.....	375J
Punch Tool for J-Channel.....	443J
Push Points.....	473J

Q

Quarter Round Tempered Glass Shelves.....	382J
Quick Release Agent.....	517J
Quick-Draw Mirror Outlet Template Set.....	427J
QwikSet Mirror Mastic.....	475J

R

Razor Blades.....	517J
Razor Scraper Tool.....	517J
Ready Mix Glass Cleaner.....	518J
Recommended Installation Tools and Supplies.....	111J
Rectangular	
Mirror Defoggers.....	399J
Mirror Frame Extrusion.....	404J
Shelf Clamps.....	391J
Tempered Glass Shelves.....	382J

Reflective	
Angle Moldings.....	448J-449J
Plastic Divider Bar.....	444J
Plastic J-Channel.....	442J
Tape.....	407J, 446J
Regal Series Glass-to-Glass Hinges.....	181J
Regal Series Wall Mount Hinges.....	180J
Regular U-Channel.....	303J
Remover, Water Stain.....	519J
Replacement	
Base Plates.....	223J
Bottom Guides.....	363J-366J
Bulb, Surround Light.....	397J
Bumpers.....	367J
Catch for Framed Shower Doors.....	369J
Door Bottom Seals and Wipes.....	371J
Gaskets for Hinges.....	225J
Handles for Framed Shower Doors.....	368J
Hardware for Frameless Hinges.....	216J-223J
Hardware for Shower Enclosures.....	372J
Jamb Guides.....	366J-367J
Knobs for Framed Shower Doors.....	370J
Parts for Support Bars.....	311J-315J
Plates for Hinges.....	219J-223J
Rollers for Tubs.....	358J-362J
Shower Door Corner Brackets.....	372J
Snap-In Fillers.....	309J
Towel Bar Brackets.....	370J
Tulip Knob Latch.....	372J
Washer/Stud Kits.....	250J
Restroom Partition System.....	226J-228J
Reversible Pivot Pins.....	117J, 125J, 128J, 130J, 136J, 145J, 153J, 160J, 167J-168J, 174J, 193J, 195J, 197J, 209J, 211J
Ribbed Bow-Tie Style Knobs.....	234J
Rings, Drilling.....	534J
Riviera Series Hinges.....	192J
RM Series Pull Handles.....	247J
Robe Hooks, Acrylic Mirror.....	374J
Robe Hooks, Designer Series.....	377J
Roller	
Brackets, Cottage Series Shower Doors.....	339J, 343J
Guides for Tubs.....	362J-363J
Platen.....	546J
Stop Kit, Hydroslide.....	333J
Rolling Glass Manipulator.....	564J
Roman Series	
135 Degree Glass Clamps.....	287J
180 Degree Glass Clamps.....	287J
90 Degree Glass Clamps.....	287J
Fixed Panel U-Clamps.....	287J
Glass-to-Glass Hinges.....	169J
Wall Mount Glass Clamps.....	288J
Wall Mount Hinges.....	168J
Rondo Series	
Glass-to-Glass Hinges.....	134J
Inline Panel Mount Hinges.....	134J
Top or Bottom Mount Hinges.....	134J
Wall Mount Hinges.....	134J
Rosette Screws.....	462J
Rosettes.....	462J-463J
Rotary Tool Kit.....	538J
Round	
Fixed Panel U-Clamps.....	286J
Head Rosette Screws.....	462J
Lip Mirror Clips.....	457J
Mirror Clips.....	459J
Mirror Defoggers.....	399J
Rounded Face Angle Extrusion.....	448J
Router, Glass.....	535J
Rubber Base Drilling Rings.....	534J

S

Safety Backing Tape.....	478J
Safety Swivel Metal Hangers.....	464J
Sample Display, Hardware Finishes.....	114J
Sample Display, J-Channel.....	441J
Sanders, Portable.....	540J-542J

Sanders, Upright Wet Belt.....	544J-548J
Sanding Belts.....	540J-542J, 544J, 547J-548J
Sanding Discs.....	543J
Sanitary Silicones.....	484J
Saws for Glass.....	536J-537J
Sawtooth Hangers.....	467J
Scotch Mount Foam Tape.....	479J
Scratch Polishing Kit and Supplies.....	552J-553J
Scratch Removal Systems.....	550J-555J
Scratch-A-Way Scratch Removal System.....	551J
Screw and Washer Accent Kits.....	185J
Screw Caps.....	224J
Screw Cover Kit, Hydroslide.....	333J
Screw Eyes.....	468J
Screwdriver, Cordless.....	538J
Screw-On Nozzles.....	490J
Screws for Hinge Plates.....	224J-225J
Screws for Mirror Clips.....	460J
Screws for Rosettes.....	462J
Sculptured Style Pull Handles.....	245J
SD Series	
Back-to-Back Towel Bars.....	267J
Pull Handles.....	243J
Pull Handle/Towel Bar Combinations.....	254J
Single-Sided Towel Bars.....	262J
Sealant Finishing Tool.....	490J
Sealant Spatulas.....	490J
Sealants and Caulking.....	483J-488J
Sealants, Acrylic Latex.....	487J-488J
Sealants, Mirror Edge.....	476J, 482J
Sealants, Silicone.....	483J-486J
Selecting the Proper Hinges.....	112J-113J
Self-Centering All-Glass Door Hinge.....	176J
Self-Closing All-Glass Door Hinge.....	177J
Senior	
Cardiff Series Hinges.....	130J
Prima Series Glass-to-Glass Hinge.....	126J-127J
Prima Series Hinge Gaskets.....	225J
Prima Series Hinges.....	125J-127J
Set Screw Glass Clamps.....	392J
Setting Blocks, Clear Plastic.....	451J, 481J
Shampoo Dispensers.....	380J
Shank Adapter.....	553J
Sharpening Stones.....	534J
Shelf	
Brackets, Adjustable.....	388J
Brackets, Aluminum.....	387J, 394J
Brackets, Cable Type.....	390J
Clip Kits.....	386J
Extrusion for Mirror Frames.....	407J
For Stock Size Mirror Frames.....	409J
Rod and Supports.....	388J
Stainless Steel.....	411J
Support and Mirror Clip.....	452J
Shelf Clamps	
No-Drill.....	389J-392J
Rectangular.....	391J
Shower Interior.....	389J
Slim Line.....	391J
Solid Brass.....	389J-390J
Vertical.....	391J
Shell Series	
Glass-to-Glass Hinges.....	135J
Inline Panel Mount Hinges.....	135J
Top or Bottom Mount Hinges.....	135J
Wall Mount Hinges.....	135J
Shelves, Tempered Glass.....	382J
Shelving Extrusions.....	383J
Shims, Switch and Outlet.....	424J
Shipping Pads.....	512J-515J
Shoe Covers.....	564J
Shop Towels and Rags.....	525J
Shower Door	
Bumper Assortment.....	367J
Folding Flyer.....	101J
Kits, Sliding.....	328J-346J
Knobs.....	230J-240J



CRL23R CATALOG A TO Z PRODUCT INDEX

Pull Handles.....	241J-250J	Spatulas for Sealants.....	490J	Knob.....	345J
Repair and Replacement Hardware.....	357J-372J	Specialty Catalogs.....	XXIX, 357J	Side Jamb.....	345J
Specialty Catalogs.....	101J, 357J	Split Face and "Y" Glass Clamps.....	284J, 298J	Top Hanger.....	345J
Template Guide.....	101J	Sponge Rubber Shipping Pads.....	512J	Towel Bar.....	345J
Thresholds.....	309J	Spray Dispenser Bottle.....	518J	Super Shim Shower Door Leveler.....	528J
U-Channel With Wipe.....	303J	Sprayway All Purpose Cleaner.....	521J	Super Weatherstrip Adhesive.....	553J
Water Seals and Sweeps.....	319J-326J	Sprayway Glass Cleaner.....	494J, 516J	Super-Duty Shipping Pads.....	512J
Shower Enclosure		Spring Clips for Frame Molding.....	403J	Support Bar Accessories.....	311J-315J
Accessories.....	377J-380J	SQ Series		Support Bars.....	310J-315J
Posters.....	436J	Back-to-Back Towel Bars.....	269J	Surround Light Mirrors.....	395J-397J
U-Channel.....	301J-303J	Pull Handles.....	246J	Surround Light Replacement Bulb.....	397J
Water Seals and Sweeps.....	319J-326J	Pull Handle/Towel Bar Combinations.....	256J	Swinging Glass Door Lock.....	251J
Shower Interior Shelf Clamps.....	389J	Single-Sided Towel Bars.....	265J	Swinging Shower Door Bottom Pivot.....	366J
Shower Rods.....	317J, 370J	Square Beveled Clear Plastic Mirror Clips.....	461J	Switch and Outlet Shims.....	424J
Shower Squeegee.....	380J	Square Corner Light Duty Shower Door Hinges.....	213J	Switch	
Shower Stall Hinges, Light Duty.....	213J	Square Style		Hole Nibbler Tool.....	427J, 535J
Showers Online.....	102J-103J	135 Degree Glass-to-Glass Clamps.....	276J	Plates, Acrylic.....	416J-427J
Showers with Curved Glass.....	106J	180 Degree Glass-to-Glass Clamps.....	276J	Plates, Brass Metal.....	416J-421J
Side Jamb, DK Series Shower Doors.....	343J	90 Degree Glass-to-Glass Clamps.....	276J	Plates, Glass.....	416J-429J
Side Jamb, MK Series Shower Doors.....	346J	Door Stops.....	318J	Swivel	
Side Jamb, Suite Series Shower Doors.....	345J	Knobs.....	233J	Drill Machine.....	532J
Side Mount Mirror Clips.....	461J	Wall Mount Heavy-Duty Glass Clamps.....	274J-275J	Fittings.....	434J
Sidelite Sill, Cottage Series Shower Doors.....	339J, 343J	Wall Mount Movable Transom Glass Clamps.....	277J	Magnifying Mirrors.....	397J
Silicone		Square Support Bars and Accessories.....	314J-315J	Mount Clip Set.....	457J
Acetony Cure.....	483J-484J, 486J	Squares, Beveled Mirror.....	432J-433J	Type Hangers.....	464J
Bulb Seal.....	325J	Squeegees.....	380J	Sydney Series Glass-to-Glass Hinges.....	178J
Cleaner and Surface Prep.....	517J	Stain Removers.....	519J-521J	Sydney Series Wall Mount Hinges.....	178J
Mildew Resistant.....	483J-485J	Stainless Steel			
Neutral Cure.....	485J	Divider Bar.....	444J	T	
Sealants.....	483J-486J	Edge Moldings.....	450J	'T' Configuration Glass-to-Glass Hinge.....	140J
Water Clear.....	486J	Framed Custom Mirrors.....	413J	Tape	
Single		Inside Corner Molding.....	445J	Black Masking.....	451J
Cut Miter Tool.....	445J	Integral Shelf.....	411J	Clear Double-Sided PVC.....	481J
Edge Razor Blades.....	517J	J-Channel.....	442J	Foam Mounting.....	479J
Robe Hook, Acrylic Mirror.....	374J	L-Angle.....	449J	Joint Framing.....	327J, 481J
Spindle Edging Machine.....	549J	Mirrors, Frameless.....	413J	Mirror Mounting.....	479J
Single-Sided		Outside Corner Molding.....	445J	Plastic Reflective.....	407J, 446J
Knobs.....	236J-238J	Phillips Screws.....	303J	Rules.....	560J
Pull Handles.....	249J	Polish and Cleaner.....	521J	Safety Backing.....	478J
Shop Cart.....	563J	Theft-Proof Mirror Frames.....	411J-413J	Translucent.....	327J, 480J
Towel Bars.....	260J-265J	Tilting Mirrors.....	414J	Transparent.....	327J, 480J
Sleeve-Over Glass Clamps.....	294J-295J	Standard		Very Hi-Bond.....	327J, 480J
Sleeve-Over Robe Hooks.....	377J	Aluminum J-Channel.....	440J, 442J-443J	Tapered Jamb, Cottage Series Shower Doors.....	342J
Sliding		Anochrome Mirror Clips.....	457J	Tapered Sill, Cottage Series Shower Doors.....	338J, 342J
Door Assemblies, Glass Mounted.....	350J-351J	Canadian Style J-Channel.....	442J	Tapered Thresholds.....	309J
Door Assemblies, Wall Mounted.....	348J-349J	Fixed Panel U-Clamps.....	282J	Tapped Head Wood Screws.....	463J
Glass Door Lock.....	251J	Glass-to-Glass Movable Transom Glass Clamps.....	293J	T-Connectors, Beveled Mirror.....	432J-433J
Glass Door System, Laguna Series.....	347J-355J	Indented Back J-Channel.....	441J	Technical Sales Extension Directory.....	575J-577J
Shower Door Kits.....	328J-346J	Round Lip Mirror Clips.....	457J	Telephone Jack Cover Plates.....	422J-423J
Slim Line Fittings for Support Bars.....	312J	Stainless Steel Theft-Proof Mirror Frames.....	412J	Tele-Tape Measuring Stick.....	560J
Slim Line Shelf Clamps.....	391J	Wall Mount Movable Transom Glass Clamps.....	292J	Tempered Glass Shelves.....	382J
Slip-On Pull Handles.....	248J	Standoff Systems.....	434J-435J	Template Guide.....	101J
Slot Mount Standoffs.....	389J	Standoffs, Custom.....	435J	Template Set for Mirror Outlet Cut-Outs.....	427J
Slotted Anochrome Mirror Clips.....	457J	Standoffs, Slot Mount.....	389J	Templates for Glass Saw.....	536J
Slotted Round Lip Mirror Clips.....	457J	Staple-On Hangers.....	467J	Theft-Proof Mirror Frames.....	411J-413J
Small Vertical Shelf Clamps.....	391J	Stick-On Acrylic Finger Pulls.....	375J	Threaded Shank Rosettes.....	463J
Smooth Rod Caulking Gun.....	489J	Stick-On Hangers.....	467J	Thresholds, Shower Door.....	309J
Snap-In Filler for Deluxe Headers.....	307J	Stick-On Sanding Discs.....	543J	Through-Glass Mounted Support Bars.....	313J
Snap-In Filler for Junior Headers.....	309J	Stock Size Aluminum Mirror Frames and Shelves.....	409J	Thru-Glass Pulls.....	239J, 355J
Soap		Stock Size Aluminum Triple Mirror Frames.....	406J	Thru-Glass to Wall Straight Shower Rod.....	317J
Dish, Acrylic Mirror.....	374J	Stones, Sharpening.....	534J	Tile Cutting Blade.....	537J
Dish, Geneva Series.....	378J	Storefront Architectural Design Manual.....	XXVI	Tile Drills.....	539J
Dish, Pinnacle Series.....	379J	Strap Frame Caulking Guns.....	489J	Tilting Stainless Steel Mirrors.....	414J
Dispensers.....	380J	Strike Jamb, 135 Degree.....	322J	Toggle Cover Plates.....	418J-422J, 428J-429J
Soffit Sleeve Mount Kit, Madrid Series Hinge.....	132J	Strips, Beveled Mirror.....	432J-433J	Toggle® Picture Wire Hook Anchors.....	465J
Solid		Successful Installation Keys.....	110J-111J	Toggle® SnapSkru® Self-Drilling Drywall Anchors.....	539J
Brass Pull Handles.....	244J-245J, 249J-250J, 255J	Suction		Toilet	
Brass Shelf Clamps.....	389J-390J	Base Drilling Rings.....	534J	Paper Holder, Acrylic Mirror.....	374J
Brass Towel Bars.....	263J, 268J, 270J	Cup Hooks and Clamps.....	469J	Paper Roll Holders.....	374J, 377J-379J
Glass Door Knobs.....	238J	Cup Mirrors.....	397J	Tissue Holder, Geneva Series.....	378J
Pull Handles.....	244J-245J, 249J-250J, 255J	Cups.....	556J-558J	Tissue Holder, Pinnacle Series.....	379J
Pull Handle/Towel Bar Combinations.....	255J	Suite Series Sliding Shower Door		Tools, Machinery, and Equipment Master Catalog.....	XXIII
Solvent and Adhesive Cleaner.....	517J	Bottom Guide.....	345J	Toothbrush Holder, Acrylic Mirror.....	374J
Spackling Compound.....	488J	Bottom Sill.....	345J	Toothbrush Holder, Geneva Series.....	378J
Spanner Head for Top Roller.....	355J	Hardware Pack.....	345J	Toothbrush Holder, Pinnacle Series.....	379J
Spanner Wrench for Top Roller.....	355J	Header.....	345J		
Sparkle Cleaner and Stain Remover.....	521J	Kits.....	344J-345J		

CRL23R CATALOG A TO Z PRODUCT INDEX

Top			
Channel Mirror Frame Extrusion	407J		
Hanger Rail, MK Series Shower Doors	346J		
Hangers, Cottage Series Shower Doors	339J, 343J		
Hangers, Suite Series Shower Doors	345J		
Pivot Hinges	117J-120J, 123J-135J		
Roller Spanner Head	355J		
Roller Spanner Wrench	355J		
Roller, Laguna Series	353J		
Sliding Tube Clamps, Laguna Series	354J		
Sliding Tube, Laguna Series	353J		
Top or Bottom Mount			
Junior Prima Series Hinges	127J		
Prima Series Hinges	117J-119J, 124J		
Rondo Series Hinges	134J		
Senior Prima Series Hinges	125J-126J		
Shell Series Hinges	135J		
Towel Bar			
Cottage Series Shower Doors	339J, 343J		
Geneva Series	378J		
Mounting Instructions	258J-259J		
Pinnacle Series	379J		
Suite Series Shower Doors	345J		
Towel Bars			
Acrylic Mirror	374J		
Back-to-Back	266J-270J		
Geneva Series	378J		
Pinnacle Series	379J		
Single-Sided	260J-265J		
Wall Mount	271J		
With Metal Washers	260J, 262J-263J, 266J-268J, 270J		
Without Metal Washers	261J, 266J-267J		
Towels, Paper	524J-525J		
TPC Surface Protector	520J		
Track Connectors, Hydroslide	333J		
Traditional Style Glass Clamps	282J-284J, 292J-295J		
Traditional Style Knobs	230J, 236J		
Translucent Silicone Bulb Seal	325J		
Translucent Tapes	327J, 480J		
Translucent Vinyl			
Bulb Seals	325J		
Double Fin Seal	325J		
Edge "T" Wipe	325J		
Edge "V" Seal	324J		
"L" Seals	324J		
Transom Clamps	277J, 281J, 291J-293J		
Transparent Tapes	327J, 480J		
Triangle Points	472J		
Trianon Series			
Glass-to-Glass Clamps	296J		
Glass-to-Glass Hinges	198J		
Hinge Gaskets	225J		
Wall Mount Glass Clamps	296J		
Wall Mount Hinges	197J		
Triple Mirror Frames, Custom	408J		
Triple Mirror Frames, Stock	406J		
Triple Mirror Hinge	402J		
Tri-Pli Adjustable Mirror Pliers	535J		
Tripod Glass Drilling Machine	531J		
Trizact Discs and Pads	555J		
Trizact Scratch Removal Kits	554J-555J		
Tub and Tile Caulk	488J		
Tub Rollers	358J-362J		
Tubular			
Back-to-Back Towel Bars	266J-269J		
Pull Handles	242J-244J, 246J-247J		
Pull Handle/Towel Bar Combinations	252J-254J		
Single-Sided Towel Bars	260J-265J		
Tulip Knob Latch	372J		
Turn Buttons	467J		
U			
U Seal With Leg and Insert	322J		
U-Brackets for Support Bars	311J		
U-Channel			
End Caps	301J-302J		
Fixed Panel	282J, 287J, 299J		
Shower Enclosure	301J-303J		
With Wipe	303J		
Ultimate Series Glass-to-Glass Hinges	166J		
Ultimate Series Wall Mount Hinges	166J		
Ultra/Bond Mirror Mastic	476J		
Ultraviolet Adhesive	240J, 496J-500J		
Ultraviolet Curing Lamps	506J-509J		
Universal Diamond Points	472J		
Universal Frame Hanging Cleat	403J		
Universal Glass Clamps	392J		
Upright Wet Belt Sanders	544J-548J		
U.S. Aluminum Curtain Wall Catalog	XXVII		
U.S. Aluminum Storefront Catalog	XXVI		
UV			
Adhesive	240J, 496J-500J		
Bonding Fixation Devices	503J-505J		
Curing Lamps	506J-509J		
Glass Bonding Kits	492J-493J		
Glass Bonding Prep Supplies	494J		
Knobs and Pulls	238J-239J		
Threaded Adapters	238J		
V			
Vacuum Cups	556J-558J		
Vacuum Ratchet Tensioning Kit	557J		
Vancouver Mirror Clips	456J		
Vanity Mirrors	395J-397J		
Variable Speed Cordless Caulking Gun	489J		
Vertical Brackets for Support Bars	312J		
Vertical Post System	316J		
Vertical Shelf Clamps	391J		
Very Hi-Bond Tape	327J		
VHB Tapes	327J, 480J		
Victorian Mirror Frame Extrusion	404J		
Victorian Style			
Back-to-Back Towel Bars	268J		
Pull Handles	244J		
Pull Handle/Towel Bar Combinations	255J		
Single-Sided Towel Bars	263J		
Vienna Series			
Adjustable Hinges	158J-159J		
Glass-to-Glass Hinges	156J-157J, 159J		
Hinge Gaskets	225J		
Jamb Mounted Hinge Kits	215J		
Positive Close Hinges	155J-156J		
Replacement Plates	221J		
Wall Mount Hinges	154J-155J, 158J-159J		
Watertight Cover Plates	218J		
Vinyl			
Bulb Seals	325J		
Corner Covers	511J		
Deluxe Header	307J		
Dry Glaze U-Channel	301J		
Junior Header	309J		
Protective Sleeves	463J		
Seals, Cottage Series Shower Doors	339J		
Spackling Compound	488J		
Water Seals	324J-325J		
W			
Wall Block Mount Kit, Madrid Series Hinge	132J		
Wall Brackets for Support Bars	311J, 315J		
Wall Mount			
Adjustable Glass Clamps	285J		
Arctic Series Hinges	179J		
Back Plate Screws	225J		
Berlin Series Glass Clamps	297J		
Berlin Series Hinges	211J		
Beveled Style Glass Clamps	278J		
Cathedral Series Glass Clamps	288J		
Cathedral Series Hinges	174J		
Classique Series Glass Clamps	289J		
Classique Series Hinges	186J		
Cologne Series Hinges	160J-161J, 163J		
Concord Series Hinges	170J		
Elite Series Hinges	167J		
End Cap, Laguna Series	353J		
Estate Series Hinges	172J		
Geneva Series Glass Clamps	288J		
Geneva Series Hinges	137J-138J, 141J-143J		
Grande Series Glass Clamps	289J		
Grande Series Hinges	188J, 190J		
Heavy-Duty Glass Clamps	274J, 278J		
Junior Cathedral Series Glass Clamps	296J, 300J		
Junior Cathedral Series Hinges	209J		
Junior Geneva Series Hinges	193J-194J		
Milano Series Hinges	199J		
Monaco Series Glass Clamps	297J		
Monaco Series Hinges	205J-206J		
Movable Transom Glass Clamps	277J, 281J, 292J		
Petite Series Glass Clamps	297J		
Petite Series Hinges	201J-202J		
Pinnacle Series Glass Clamps	289J		
Pinnacle Series Hinges	145J-146J, 149J-150J		
Pivot Hinges	121J, 129J, 132J, 134J-135J		
Prima Series Hinges	121J		
Regal Series Hinges	180J		
Riviera Series Hinges	192J		
Roman Series Glass Clamps	288J		
Roman Series Hinges	168J		
Rondo Series Hinges	134J		
Shell Series Hinges	135J		
Sleeve-Over Glass Clamps	294J		
Sliding Glass Door Assemblies	348J		
Square Style Glass Clamps	274J		
Sydney Series Hinges	178J		
Towel Bars	271J		
Trianon Series Glass Clamps	296J		
Trianon Series Hinges	197J		
Ultimate Series Hinges	166J		
Vanity Mirrors	395J		
Vienna Series Hinges	154J-155J, 158J-159J		
Zurich Series Hinges	183J-184J		
Wall Mounted Soap Dispensers	376J		
Wall-to-Glass Support Bars	310J, 313J		
Washer Kits for Pull Handles	250J		
Water			
Clear Silicone Sealant	486J		
Seals and Sweeps	319J-326J		
Seals and Sweeps Profile Set	319J		
Spot Remover	519J		
Stain Remover	519J		
Watertight Hinge Cover Plates	217J-218J		
Web Site Information	III-XVI		
Web-Based Glass Sizing Program	102J-103J		
Wet Abrasive Belts	544J, 547J-548J		
Wet Belt Sanders	544J-548J		
Wheels for Glass Edger	549J		
Wheels for Scratch Polishers	552J-553J		
Whistle Pull	376J		
Wipes, Lint Free	524J		
Wipes, Micro Fiber	524J		
Wire Brads	468J		
Wire Eyelet Swivel Type Hangers	464J		
Wire, Hanger	466J		
Wireless Hangers	465J		
Wood Door Adaptor Kit, Laguna Series	352J		
Wood Screws, Tapped Head	463J		
Wood's Powr-Grip Vacuum Cups	558J		
Worldwide Services	578J-579J		
Wrench for Hinge Pins	225J		
Wrinkle Finish Gloves	559J		
Wyp-All Shop Rags	525J		
Z			
Zurich Series			
Bi-Fold Hinges	183J-184J		
Glass-to-Glass Hinges	183J-185J		
Hinge Gaskets	225J		
Screw and Washer Accent Kits	185J		
Wall Mount Hinges	183J-184J		

Customer Service Order Desk

Ask for Extension

5275

- Get Product Information
- Request Price Quotes
- Check Stock Availability
- Place or Trace Orders
- Check Your Account Status
- Request Catalogs

Customer Service Order Desk hours are 6 am to 5 pm (Pacific Time) Monday through Friday, and 7 am to 12 pm Saturday. If you wish to pick up your order at the Will Call Trade Counter of our regional warehouses the hours are 8 am to 5 pm Monday through Friday, and 8 am to 12 pm Saturday. For the fastest Will Call service be sure to place your order in advance so we can have it ready upon your arrival.

Direct Fax
(800) 262-3299

Direct E-Mail
crl@crlaurence.com

Technical Sales Business Groups

Glass and Glazing

Ask for Extension

5275

Direct Fax
(800) 262-3299

Direct E-Mail
glazing@crlaurence.com

- Glass Handling Equipment
- Glazier's Tools and Machinery
- Mirror and Glass Hardware
- Retail Display Hardware and Standoffs
- Safety Gear
- Sealants, Adhesives, and Fasteners
- UV Glass Bonding
- Vacuum Lifting Equipment
- Glass Cleaners
- Security Solutions for the Locksmith Industry



Door and Window Control Hardware

- Door Closers and Hardware
- Commercial Door Hardware
- Insulating Glass Supplies
- Patio Door Hardware
- Residential Window Hardware
- Screen Wire and Supplies
- Storm Door and Window Supplies
- Screen and Security Doors

Ask for Extension

7520

Direct Fax
(866) 921-0531

Direct E-Mail
glazing@crlaurence.com



Technical Sales Business Groups

Architectural Hardware

- Architectural Storefronts
- 'All-Glass' Entrance Systems
- Door and Sidelite Rails
- Glass Walls and Partitions
- Stacking and Sliding Glass Doors
- Structural Glass Fittings
- Bi-Folding Doors

Ask for Extension

7700

Direct Fax
(800) 587-7501

Direct E-Mail

architectural@crlaurence.com



Blumcraft Architectural Metals

- Tubular Architectural Hardware
- Tempered Glass Door Hardware
- Panic Hardware
- Railing Systems
- Smoke Baffles
- Glass Gates
- Display Case Doors

Ask for Extension

7700

Direct Fax
(800) 587-7501

Direct E-Mail

architectural@crlaurence.com



Architectural and Ornamental Metals

- Brake Shaped Metals
- Canopies and Sunshades
- Column Covers (Cladding)
- Custom Entrances and Storefronts
- Ornamental Hand and Guard Rails
- Wall Panel Systems
- Bollards
- Glass Awnings
- Balanced Doors

Ask for Extension

7770

Direct Fax
(866) 921-0532

Direct E-Mail

archmetals@crlaurence.com



U.S. Aluminum

- Storefronts and Entrance Doors
- Elephant Doors
- Curtain and Window Walls
- Sun Control Systems
- Windows
- Hurricane Resistant Systems
- Blast Mitigation Systems
- Glass Wall Office Systems

Ask for Extension

5305

Direct Fax
(866) 262-3299

Direct E-Mail

usalum@crlaurence.com



Technical Sales Business Groups

Frameless Shower Door

- Hinges and Clamps
- Knobs and Pull Handles
- Sliding Shower Enclosures
- Towel and Grab Bars
- Vanity and Wardrobe Mirrors
- 'All-Glass' Restroom Partitions
- Shower Installation Tools

Ask for Extension

7740

Direct Fax (800) 458-7496
Direct E-Mail showers@crlaurence.com



Architectural Railings

- TAPER-LOC® Railing System
- Aluminum Railing Systems
- Cap Railing Systems
- Hand Railing Systems
- Heavy Glass Base Shoe
- Post Railing Systems
- Windscreen and Gate Systems

Ask for Extension

7730

Direct Fax (800) 587-7501
Direct E-Mail railings@crlaurence.com



Transaction and Hospitality

- Bullet Resistant Exchange Windows
- Drive-Thru and Walk-Up Windows
- Food Service Sneeze Guards
- Partition Posts and Booth Dividers
- Safety and Security Mirrors
- Speak-Thru Devices
- Barrier Systems

Ask for Extension

7760

Direct Fax (800) 458-7496
Direct E-Mail transaction@crlaurence.com
Direct E-Mail hospitality@crlaurence.com



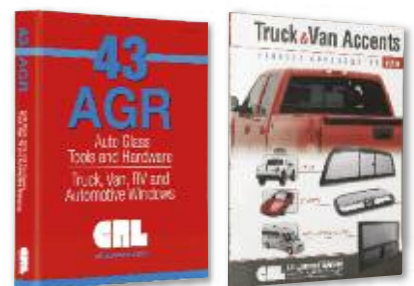
Automotive

- Auto Glass Shop Products
- Auto Glass Tools
- Pop-Up and Electric Sunroofs
- Truck Sliding Rear Windows
- Van and RV Windows

Ask for Extension

7780

Direct Fax (800) 587-7501
Direct E-Mail automotive@crlaurence.com



Online Assistance by Telephone:

United States (800) 421-6144

Canada (877) 421-6144

International (323) 588-1281

Ask for Extension

6200

CRL CUSTOMER SERVICES



CRL Serves the World With Local and International Brands of Your Favorite Products

• North America

• Europe

• Australia



CRL's Global Headquarters in the Los Angeles, California area

Brand Names

Product branding is the identification of a product by a specific name, and it is present in just about everything you buy. Whether it's groceries, garments, appliances, electronics or vehicles, we all have our favorite brands. We get to know and trust certain brands for their reputation of quality, good or bad, and we make buying decisions in part based on our familiarity and trust in a brand name.

The same is true for the products we use. Every professional has favorite brands that they trust for quality, service life, and value. Some of these names are familiar worldwide, and can be found in shops in virtually every country. Others are more local in scope, marketed only in certain countries or on certain continents.

As for quality, in many cases the "local" brands are just as good as the "international" brands, and provide equal value. They have their particular markets, and have excelled in them by producing top quality products at affordable prices.



CRL's Canadian Headquarters in the Toronto, Ontario area

CRL Brings The Best To You

Operating on three continents allows us to bring brands to you that you may not otherwise have local access to. Our purchasing agents select quality products from vendors across the globe, and because we have a global distribution network these products can be made available through any of our Service Centers.

When you review our catalogs, both in print and online, you'll see many familiar brand names and some that will be new to you. Be assured that these new brands, including those products bearing the CRL brand name, are tested products that will deliver both quality and value.

As both a manufacturer and a distributor CRL can bring you the best products at value prices. We're a brand name that you can trust.



CRL's European Headquarters in the Manchester, England area

Need It But Don't See It? Just Ask CRL

Our access to suppliers worldwide gives us the ability to deliver products from any of the brand names we advertise. If you need a certain product from a specific brand name, don't hesitate to ask us for a price and delivery time. We're experts at getting you what you want when you need it. Just ask us and we'll do our best to serve you.



CRL's Australian Headquarters in the Sydney, New South Wales area



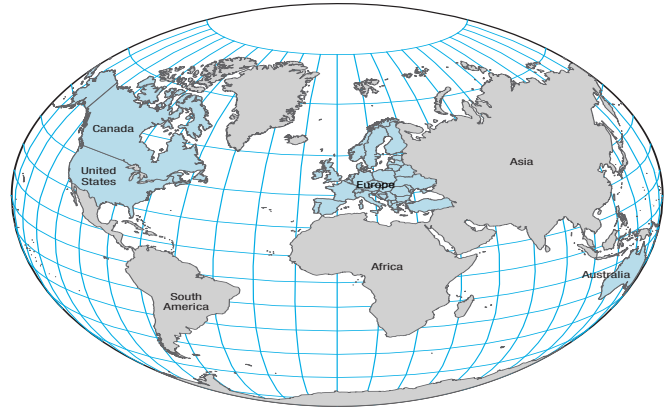
C.R. LAURENCE COMPANY

crlaurence.com | usalum.com

578J | crlaurence.ca crlaurence.com.au crlaurence.co.uk crlaurence.de crlaurence.eu

CRL Provides Global Service With Regionally Oriented Web Sites

- Access to All CRL Products and Services is Available 24 Hours a Day, Seven Days a Week When You Visit Us Online
- Our Sites are Updated Continually to Bring You Our Newest Products and Special Offers
- The Entry Port for 'All-Glass' Storefronts Online[®], Showers Online, Hand Rails Online, and Our Other Web-Based Services



As a global supplier to the industries we serve, CRL recognizes that the power of electronic commerce strengthens our ability to serve you locally, as well as our other customers worldwide. And while the Internet has created a virtual "global village", it's important to also have the capability to tailor our web sites to the specific needs and business conditions of the continents on which we are based. That said, it became apparent that our web site, **crlaurence.com**, had to at the same time be global in appeal, but still local enough to be relevant.

Thus the creation of our Global Web Site Directory. When you visit our web site you are directed to the home page of the individual site designated to host your home country.

You can also move from one site to another simply by clicking on the directory icon at the top of the home page. From here you have access to all of our sites, giving you the opportunity to explore the entire scope of CRL's online world.

As we progress in this global strategy, look for us to include new translations of our Online Catalog into many more of the major languages. We are committed to spreading the virtual world of C.R. Laurence around the globe, and making your online shopping experience at **crlaurence.com** pleasant and easy to understand. We want you to be comfortable with CRL, and will work hard to make that possible.

Welcome to the C.R. Laurence Global Web Site Directory

Please select from one of these web sites to begin your visit

 UNITED STATES and INTERNATIONAL English Language crlaurence.com	 CANADA English Language crlaurence.ca	 EUROPE - UK English Language crlaurence.co.uk	 EUROPE - DE Deutsche Sprache crlaurence.de
 UNITED STATES and INTERNATIONAL MX idioma español crlaurence.com.mx	 CANADA FR en français crlaurence.qc.ca	 EUROPE FR en français crlaurence.fr	 EUROPE English Language crlaurence.eu
 EUROPE - IT Lingua Italiana crlaurence.it	 AUSTRALIA crlaurence.com.au	 EUROPE Spanish Language crlaurence.es	 SCANDINAVIA ApS crlaurence.dk
 usalum.com	 crl-arch.com	 A Division of C.R. Laurence Co., Inc. somaca.com	 A Division C.R. Laurence of Europe LTD crlaurence.co.uk


[mobile web site](#)

CRL Product Showcases

- Four Times a Year We Publish Our Product Showcase Featuring New Products and Promotions on Our Most Popular Items
- Save 10, 15, 20, 25% or More
- Qualifying Orders Placed Online Get an Extra Bonus

CRL customers who receive our Product Showcase Flyer get extra special savings on our newest and most popular products. Four times a year (quarterly), we offer some of the products you use most at discounts of up to 25%. You get three whole months to take advantage of these special savings and offers, and all you need to do to get them is place your qualifying order. The CRL Computer System automatically gives you the sale prices, whether you place your order by toll free phone, toll free fax or over the Internet. You can also get details on our Product Showcase promotions when you log onto crlaurence.com.



CRL Product Support to Boost Your Sales

- Our In-House Advertising Division Can Supply You With Banners, Posters, Brochures, Flyers, Magazine Advertising, Private Labeling, and More
- Ad Layouts and Copy Writing to Boost Your Sales Effort and Your Company's Image

CRL Advertising makes available to you professional quality ad materials that can help boost your sales and give your business a higher profile. We can help put your name out there where potential customers can see it, and let them know of the products and services you have to offer in local, regional, and national markets. For information, contact CRL's National Sales Manager at (800) 421-6144. Ask for Ext. 5262.



New Product Submissions

Do You Have an Idea for a New Product?

- Engineers Available for Product Development, Testing, and Production Support
- Award Winning Designs and Products
- State-of-the-Art Computers and Software

No one knows better what tools he or she would like to see in a catalog than the people who use them. We make an effort to make our catalogs as thorough as possible, but it never fails that as soon as we introduce a catalog one or more of our customers will come up with an item or a suggestion that makes us say "Why didn't we think of that?" We've received lots of useful suggestions, and are always pleased when someone takes the time to tell us their ideas on what they would have liked us to include.

We welcome the opportunity to serve you, and are committed to providing your business with the services that produce quality products. To discuss the possibility of working with CRL Manufacturing we invite you to contact CRL Product Management at (800) 421-6144 in the U.S., (877) 421-6144 from Canada, or (323) 588-1281 International. To send e-mail go to crlaurence.com, click on Contact Us, and then click on Product Management.

Need Help With a Current Product?

- Experienced, Knowledgeable Team Dedicated From Start to Finish
- CRL is ISO9001-2008 Certified



Online "New Product Submittal Form" can be found at crlaurence.com



crlaurence.com

crl-arch.com

usalum.com

Shower Door Hinges

Pages 101J to 228J



Enclosure Accessories

Pages 229J to 372J



Bathroom and Shower Accessories

Pages 373J to 436J



Mirror Mounting Hardware, Tools, and Shop Supplies

Pages 437J to 564J



LANGUAGES

Information about the products in this CRL Catalog is available in these languages when you visit our supplementary web sites:

crlaurence.com.mx or

crlaurence.es : Spanish

crlaurence.de : German

crlaurence.qc.ca or crlaurence.fr : French

crlaurence.it : Italian

crlaurence.dk : English

Enter the product number into the Search Box and information about the item will be in that language.

C.R. LAURENCE CO., INC.

Corporate Headquarters

Post Office Box 58923, Los Angeles, CA 90058-0923

International Phone: (323) 588-1281 • International Fax: (323) 581-6522

FRAMELESS SHOWER DOOR

Phone: (800) 421-6144 or (323) 588-1281 Ext. 7740

Direct Fax: (800) 458-7496 or (323) 581-6522

Direct E-Mail: showers@crlaurence.com

© Copyright 2014, C.R. Laurence Co., Inc.